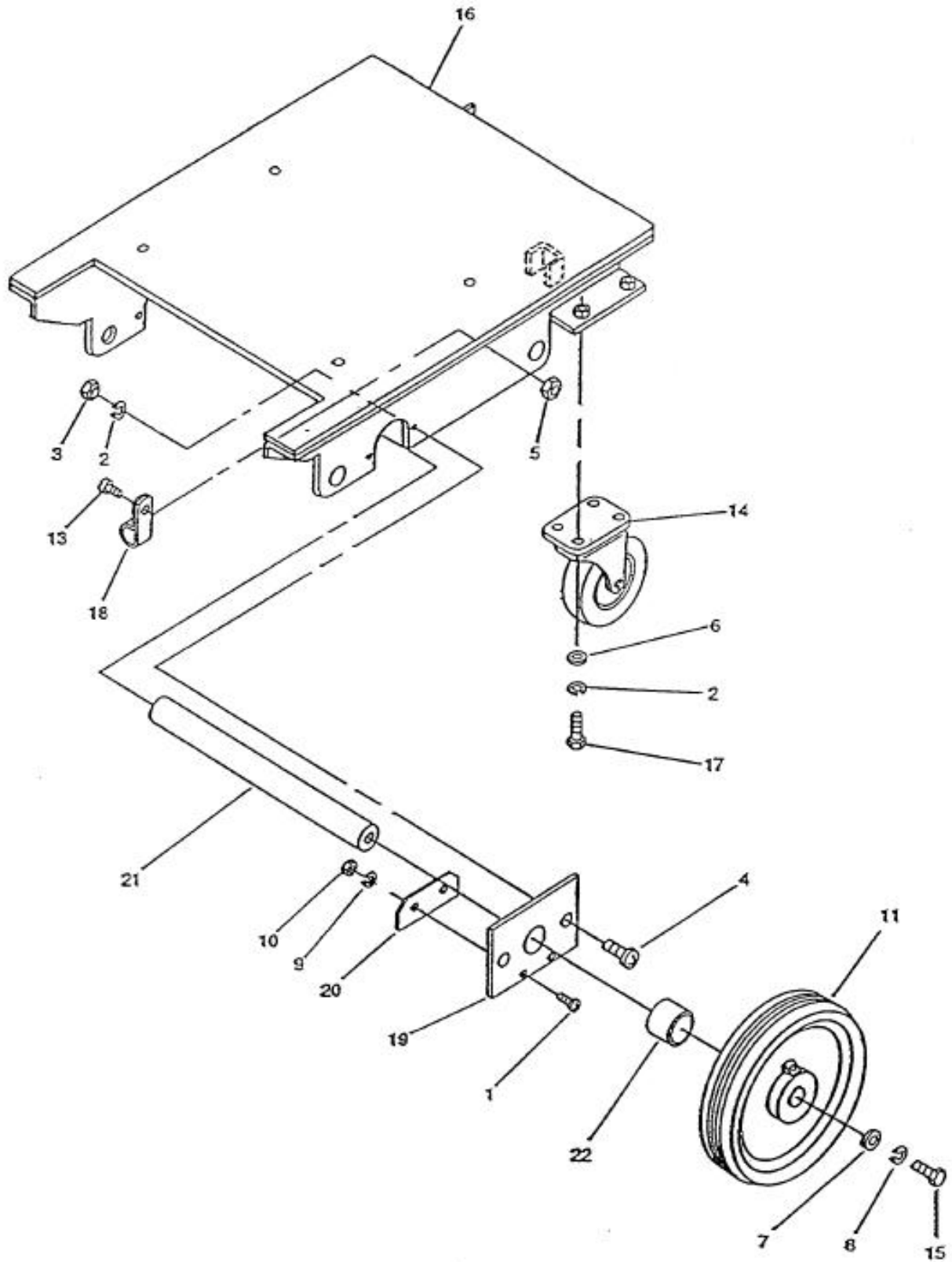


Tornado [Mar. 6, 2013]/Year 2000-Current: Schematics, Accessories, Brochures, Replacement & Optional Items/Automatic Scrubbers/20" & 24" EZ Floorkeepers/99105A 20" EZ BD Floorkeeper (w/ 2-12 V Batteries) - Series F/Chassis Assembly



No.	Part No.	Qty.	Description
1	00086	4	SCREW-PHIL. RND HD MACH
2	01577	12	WASHER LOCK(H/S)5/16
3	01589	7	NUT FINISHED HEX W/ LOCTITE
4	02109	4	SCREW HEX HD CAP
5	10892	3	NUT HEX.LOCK(KEPS)
7	14142	12	Washer
	X8235		Washer 1/4" Flat Zinc
8	03321	4	WASHER PLAIN .391ID X1.25X.125
9	03536	2	Lock Washer
10	01574	6	Lock Washer
11	15274	2	WHEEL 8 DIA X 2
13	18309	3	SCREW PHIL. PAN HD MACH
14	18079	2	Swivel Caster
15	18104	2	SCREW HEX HD CAP
16	19408	1	WELDMENT-CHASSIS FRAME(EZ/BD)
17	18111	8	SCREW HEX HD CAP
18	18717	6	CLAMP CABLE(5/8DIA.)
19	18827	2	PLATE AXLE ADAPTER(BD)
20	18828	2	PLATE AXLE LOCKING(BD)
21	18829	1	AXLE WHEEL(BRUSH DR) EZ
22	18834	2	SPACER 3/4 DIA.
NOT SHOWN	05427	2	SCREW PHIL. RND HD MACH