

Owner's Manual **DrizAir 1200 Dehumidifier**

Model F203-A

DRI-EAZ PRODUCTS, INC.

15180 Josh Wilson Road, Burlington, WA 98233

Phone: 800-932-3030 Fax: 360-757-7950 www.dri-eaz.com

The DrizAir® 1200 dehumidifier reduces humidity in enclosed structural environments by removing water vapor from the air. The 1200 is engineered to be rugged, durable and highly portable, making them ideally suited for water damage restoration, structural drying, construction, and other applications requiring temporary, high-performance dehumidification.

Patents: <http://www.LBpatents.com>

READ AND SAVE THESE INSTRUCTIONS

SAFETY INSTRUCTIONS



WARNING! Electric shock hazard, rotating fan, hot surface hazards. Unplug unit before opening cover for cleaning or servicing. Unit must be grounded.

- Inspect the power cord before use. If cord is damaged, do not use. Always grasp the plug (not the cord) to unplug.
- Insert three-prong plug on power cord into a matching electrically grounded outlet. Do not use adapter. Never cut off third prong. Do not use an extension cord.
- The unit must be operated on a 115V/60 Hz circuit protected by a Ground Fault Circuit Interrupter (GFCI) device.
- Keep motor and wiring dry.
- Do not attempt to repair the unit. Contact your local authorized distributor for service.

BEFORE YOU BEGIN

Unpacking your unit

Retain all packing material and boxes for possible equipment returns.

Install the handle

The 1200 is shipped without the handle attached. Install the handle using the four ¼-20 hex washer-head bolts supplied and a ¾ in driver or wrench. Make sure the

bolts are firmly secured before using the unit. Do not overtighten.

Warranty registration

Visit warranty.drieaz.com to register your purchase. Registration allows us to better assist you with using, maintaining or servicing your equipment, as well as to contact you in case we have important safety information concerning your Dri-Eaz product. If you determine service is required, have your equipment model, serial number and original proof of purchase available and call your distributor for assistance with obtaining a return material authorization (RMA).

INTRODUCTION

Dehumidifiers reduce humidity in enclosed structural environments by removing water vapor from the air. With proper use, the 1200 can help dry carpet, carpet pad, floors, walls, building contents and more. Using dehumidifiers can also help prevent secondary damage caused by high humidity. For best results, use the 1200 with Dri-Eaz TurboDryer® airmovers placed around the perimeter of the room to distribute heat energy and release moisture from wet surfaces into the air.

How the 1200 dehumidifier works

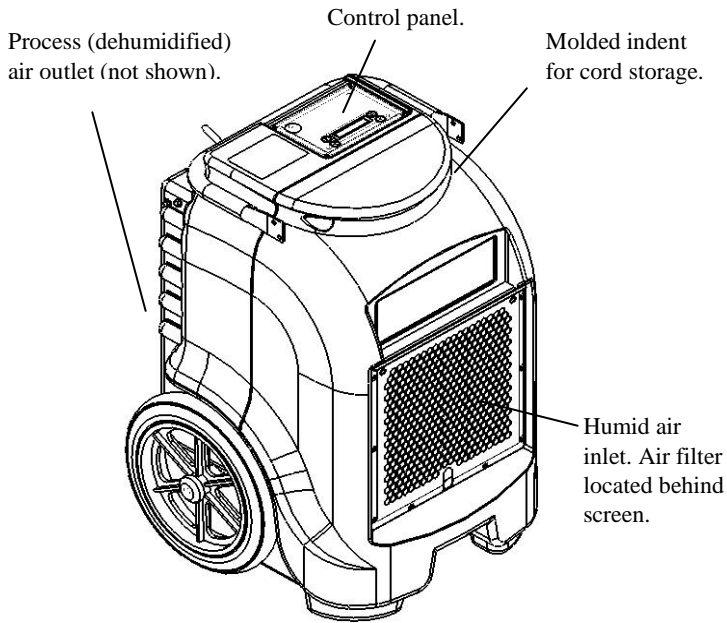
Dri-Eaz refrigerant dehumidifiers operate by pulling moist air in across a very cold evaporator core. The moisture in the air condenses on the coil. In certain conditions, the machine operates in defrost mode, warming any frost accumulated on the evaporator coil back into water. The water collects in a tray and is pumped out through a hose.

IMPORTANT: Before moving the unit, make sure there's no water in the pump. See how to use the PURGE function under "How to use the control pad" on page 2.

POSITIONING A DEHUMIDIFIER

For best results, operate your dehumidifiers in an enclosed area, as this creates a drying chamber. Close

FIG. A: FRONT



all doors and windows that open to the outside to maximize the unit's water removal efficiency. Also, keep traffic through the drying chamber to a minimum. Place your 1200 dehumidifier against a wall, away from obstructions, and keep it away from anything that could block airflow into and out of the unit.

Managing temperature rise

DrizAir dehumidifiers warm the air as they remove moisture. Optimal drying temperatures range from 68–85°F (20–29°C).

The most accurate way to monitor temperature is with a thermo-hygrometer; however, you can use an indoor/outdoor thermometer to gauge temperature. Just make sure it is located in the center of the room away from the airflow of the dehumidifier.

If the temperature rises to unsafe levels (over 90°F/32°C) you can use the structure's HVAC (heating air conditioning) system to bring the temperature down. Just set it to 80°F (27°C), and continue to operate the dehumidifier. For more information about creating an optimum drying environment, visit www.Dri-Eaz.com.

OPERATING YOUR DEHUMIDIFIER

Set unit upright

Always operate the dehumidifier in an upright position. If the unit has been stored or transported in a horizontal position, set it upright (vertical) for at least 30 minutes

before operating it. When the unit is placed in a horizontal, oil from the compressor flows into the refrigerant coils reducing the ability of the dehumidifier to function.

Set up drain hose

The 1200 condensate pump connects to a plastic drainage hose that is wrapped around the air outlet located at the back of the unit. Unwrap the entire hose and place the unattached end in a sink, drain, bucket or outside – anywhere that water can drain out safely. If you use a bucket or other receptacle for water collection, check it regularly to prevent spills.

NOTE: Uncoil and straighten the entire drain hose. Do not leave any part of the hose coiled on the unit and do not place the end of the hose higher than 20 ft. (6 m) above the top of the unit. Also check for kinks, or obstructions that would restrict the flow of water. Failure to do so may cause a water backup in the pump resulting in leakage.

Plug in electrical cord

Locate the electrical cord either on the top or back of the unit. The 1200 dehumidifier may be plugged in to a 115-volt (15 amp) grounded outlet, which is standard in most homes.

If the unit experiences a loss of power, either from a power interruption or from thermal overload protection, let the unit rest for five minutes before restarting. Otherwise it might shut off again.

Turn the unit on

Press the “on” button on the touchpad.

How to use the control panel

The Touchpad on DrizAir dehumidifiers has one display and four keys. The normal display messages are

DEHUMIDIFIER OFF CMPRSR DELAY



DEHUMIDIFIER ON	PUMP PURGING
TOTAL HRS	DEFROST ON
JOB HRS	GET SERVICE ERXX

When the unit is first connected to AC power, the touchpad display will cycle continuously through three messages: DEHUMIDIFIER OFF, TOTAL HOURS, and JOB HOURS.

ON-OFF. Press the ON-OFF key to turn the unit on or off. When turning the machine on, usually the display reads CMPRSR DELAY and performs a numeral count down from a maximum of 60 seconds to 0. The compressor delay gives the machine time to warm up (when needed). If you don't see a compressor delay countdown, the machine is ready to go. Once the unit completes the CMPRSR DELAY, the display reads DEHUMIDIFIER ON, and continues to cycle between TOTAL HOURS, JOB HOURS and DEHUMIDIFIER ON. Press the ON-OFF key again to turn the unit off. The display will read DEHUMIDIFIER OFF.

DISPLAY. Press the DISPLAY key to stop the display at DEHUMIDIFIER ON or OFF, TOTAL HOURS, or JOB HOURS as it cycles. Press DISPLAY again to re-start the display cycle.

How to change the language display

CAUTION: While in the change-language mode, pressing other keys can change the programming of the machine. Do NOT press other keys you're not instructed to press.

Use the DISPLAY key to change the display language. Follow these steps:

1. Unplug the unit.
2. While holding down the DISPLAY key, plug the unit in. The display reads ENGLISH.
3. To change to FRANCAIS, DEUTSCH, or ESPANOL, press the DISPLAY key or the CLEAR key.
4. When the desired language is shown in the display, unplug the unit, and the language is set.

CLEAR. Press the CLEAR key to reset the JOB HOURS

1. As the display cycles between DEHUMIDIFIER ON, JOB HOURS, and TOTAL HOURS, press the DISPLAY key when JOB HOURS appears on the screen. That

will make the display read JOB HOURS steadily.

2. Then press the CLEAR key to re-set the numerals to 00000.

3. Press DISPLAY again to re-start the display cycle. NOTE: the TOTAL HOURS reading cannot be re-set.

PURGE. Press the PURGE key to empty water from the pump reservoir. During normal operation, the pump purges automatically every six minutes, or whenever the reservoir is full. The display will read PUMP PURGING with a numeral countdown. To purge the pump manually:

1. Turn the power off using the OFF key, and let the unit sit plugged in for about 10 minutes. This allows water to drip from the coils and collect in the drip pan.
2. Press PURGE to remove residual water.

Defrost mode

During normal operation, the temperature sensor detects frost forming on the coils, causing a defrost cycle to start. The display will read DEFROST ON. Dehumidification stops during the defrost cycle. When the unit completes the cycle, the display returns to DEHUMIDIFIER ON.

Error messages

If the 1200's onboard diagnostics discover a problem, the unit will display "GET SERVICE," followed by "ER" and a numeral from 01 to 09. If this message appears, first follow these steps:

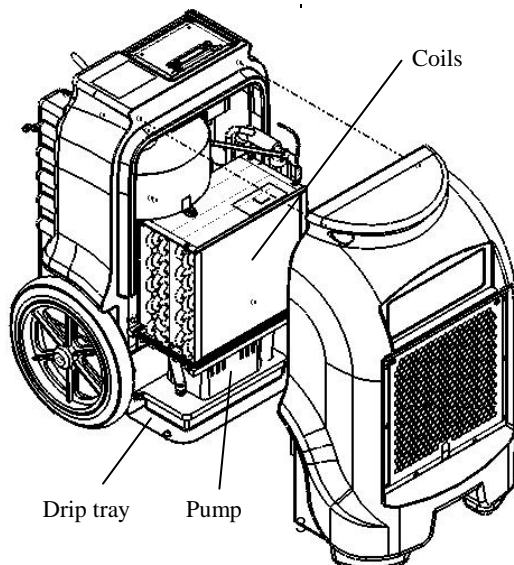
1. Unplug the unit and then plug it back in. This may re-set the electronics.
2. If the error message reappears, try the solution (if one is listed) in the "Error Messages," p. 4.
3. If the error message still appears, please contact the Dri-Eaz Service Department at 888-867-3235.

At the end of the job

As with all dehumidifiers, once the drying job is completed, it is important to make sure the unit is completely purged of water before moving it. **To ensure that all water has drained into the pump, turn the unit off, allow it to rest for 10 minutes, then press the PURGE button.** (The unit must be plugged in for the purge to operate.) Once the purge cycle is complete, unplug the unit and remove it promptly from the job.

Before transporting, be sure to remove the external drain hose, drain it carefully, and return it to the pocket provided on the front of the unit.

FIG. B: CLEANING



MAINTENANCE

WARNING! ELECTRIC SHOCK HAZARD. Unplug the 1200 before performing any maintenance.

Before each use

Inspect the electrical cord for damage. Look for fraying, cuts, etc. Do not use the unit if you find any damage. Contact your local authorized distributor for service.

Inspect and vacuum filter as needed. Keep a clean filter in the unit at all times to protect internal components from dust and other particulate build-up. The 1200 is equipped with a 3M™ High Air-Flow filter. The HAF filter may be vacuumed clean and reused up to three times. **Do not rinse or wash the HAF filter**, as it will reduce the effectiveness of the electrostatic material.

Replace only with a new 3M HAF Filter (Dri-Eaz part no. F368). Contact your local authorized distributor for parts.

CAUTION: Dust can cause the unit to overheat and shut down. Do not operate when excessive dust or airborne particles are present, such as during sanding or spray-painting. Inspect and clean air filter elements and coils frequently.

IMPORTANT: Replace the HAF filter whenever 1) it has been vacuumed clean 3 times or 2) it has been used on a mold remediation job or otherwise exposed to potentially dangerous contaminants.

Monthly

Check coils. Dirty coils can cause the unit to overheat. Clean when visibly dirty. See Fig. B.

1. Unplug unit.

ERROR MESSAGES

The table below shows error message that the system may detect. If the display shows an “ER” message, first unplug the unit and then plug it back in. This may re-set the electronics, and if so, no further action is required. If the error message reappears, try the solution shown under “Explanation.” If this still does not fix the problem, Contact your local authorized distributor.

ERROR MESSAGE	EXPLANATION
ER 1, 2, 3, 5, 6	Problem with electronic control panel. Contact Dri-Eaz Service.
ER 4	Check the temperature or sensor cable. Contact Dri-Eaz Service for instructions.
ER 8	Check the touchpad key. Press and release each key several times.
ER 9	Check for obstructions or kinks in the drain hose.

2. Remove housing, locate coils and allow coils to dry if wet.

3. Vacuum both sides of the coils until clean, being careful not to let the nozzle touch the fins; as that may cause damage by bending them.

Check catch basin tray. Clean when dirt and debris are present.

1. Wipe clean with a rag.

Check drain hose.

1. Look for obstructions. Disconnect and clear any debris present.
2. Reattach drain hose.

Annually

Have the pump system inspected by your local authorized distributor.

TRANSPORT AND STORAGE

NOTICE: Handle the unit carefully. Do not drop, throw, or place the unit where it could fall. Rough treatment can damage this equipment and may create a hazardous condition or void warranty.

IMPORTANT: Be sure to purge the water from the pump reservoir before moving the unit. See the PURGE function under "How to use the control panel" on page 2. Note that the unit must be plugged in for the Purge function to operate.

1. Do not expose the control panel to moisture, snow or rain when transporting in uncovered vehicles.
2. Store and transport securely to avoid any damaging impact to internal parts.

TROUBLESHOOTING

FAULT	CAUSE	SOLUTION
Unit does not operate	No power to machine. Unit not switched on.	Plug in unit; check power at outlet and at base of unit. Switch unit on.
Unit operating, but room not dry	Not enough time to dry. Poor air movement in room. Excessive moist air infiltration.	Allow more time for drying. Increase air movement with air movers. Reduce infiltration.
Unit continuously in defrost mode	Room temperature too low	Increase room temperature.
Pump does not function	Stuck float valve	Clean float valve shaft.
Unit collects too little water	Room air is dry. Room temperature is too low.	Check humidity with hygrometer. Increase room temperature. Check filter and coils; clean as necessary.
<p><i>If the problem you are experiencing is not listed here, call your local distributor or contact the Dri-Eaz Service Department toll-free at 800-932-3030.</i></p>		

SPECIFICATIONS

Model	DrizAir 1200 F203-A
Type	Standard refrigerant
Refrigerant	R-410A
Use weight	80 lbs. 36 kg
Dimensions (H x D x W)	32 x 20 x 19.5 in. 83 x 50 x 50 cm
Power	6.4 amps, 115 volts
Water removal AHAM (80°F/60% RH)	64 pts. 30 liters / day
Water removal max. (90°F/90% RH)	132.3 pts. 62.6 liters / day
Max process air	235 CFM 400 CMH*
Operating range	33°–100°F 1°–38°C
Air filter	3M HAF filter (part no. F368)
Power cord	25 ft. 7.6 m
Construction	Rotomolded polyethylene housing
Safety	ETL listed CSA 22.2 no. 92
<p>Specifications are subject to change without notice. Some values may be approximate.</p>	

Warranty information is available at www.dri-eaz.com.

CONTACT

Dri-Eaz Products, Inc.
15180 Josh Wilson Rd.
Burlington, WA 98233
800-932-3030 www.dri-eaz.com

Manual para el usuario del Deshumidificador DrizAir 1200

Model F203-A

DRI-EAZ PRODUCTS, INC.

15180 Josh Wilson Road, Burlington, WA 98233

Teléfono: 800-932-3030 Fax: 360-757-7950 www.dri-eaz.com

El deshumidificador DrizAir® 1200 reduce la humedad en ambientes cerrados eliminando el vapor de agua que se encuentra en el aire. El modelo 1200 está creado de modo que sea resistente, duradero y fácil de transportar, características que lo convierten en un elemento sumamente adecuado para la reparación de daños causados por el agua, el secado de estructuras, la construcción y otros usos para los que se necesita temporalmente un deshumidificador de alto rendimiento.

Patents: <http://www.LBpatents.com>

LEA Y GUARDE ESTAS INSTRUCCIONES

INSTRUCCIONES DE SEGURIDAD

⚠ ADVERTENCIA



¡ADVERTENCIA! Peligro de sufrir una descarga eléctrica, lastimarse con el ventilador rotatorio, quemarse con una superficie caliente. Desenchufe la unidad antes de abrir la tapa para limpiarla o repararla. La unidad debe tener descarga a tierra.

- Controle el cable de alimentación antes de usar. Si está dañado, no lo use. Para desenchufar el aparato, tire siempre del enchufe (nunca del cable).
- Coloque el enchufe de tres clavijas que está en el extremo del cable de alimentación en un tomacorriente con descarga a tierra adecuado. No use adaptadores. Nunca corte la tercera clavija. No use cables prolongadores.
- La unidad debe utilizarse en un circuito eléctrico de 115 V/60 Hz, protegido por un interruptor del circuito de fallos de conexión a tierra (GFCI, por sus siglas en inglés).
- Mantenga el motor y los cables secos.
- No intente reparar la unidad.

ANTES DE COMENZAR

Cómo desembalar la unidad

Conserve todo el material de embalaje y las cajas por si tiene que devolver el equipo.

Cómo colocar la manija

La manija del modelo 1200 no viene acoplada. Para colocarla, use los cuatro tornillos con arandela y cabeza hexagonal de ¼-20 que acompañan al equipo y un destornillador o una llave de tuercas de ⅜ pulgadas (9.5 mm). Antes de usar la unidad, asegúrese de que los tornillos estén bien ajustados.

Registro de la garantía

Visite warranty.drieaz.com para registrar su compra. El registro nos permite brindarle mejor asistencia en el uso, el mantenimiento o la reparación de su equipo, y también comunicarnos con usted en caso de que tengamos información de seguridad importante sobre su producto de Dri-Eaz. Si considera que su producto necesita reparación, tenga a mano el modelo del equipo, el número de serie y el comprobante de compra original, y llame a su distribuidor para que lo ayude a obtener una autorización para devolver el producto (RMA, por sus siglas en inglés).

INTRODUCCIÓN

Los deshumidificadores reducen la humedad en ambientes cerrados eliminando el vapor de agua que se encuentra en el aire. Si se usa correctamente, el 1200 puede ayudar a secar alfombras, almohadillas para alfombras, pisos, paredes, elementos en el interior de una propiedad y más. También puede ayudar a prevenir daños secundarios causados por el exceso de humedad. Para obtener mejores resultados, cuando use los deshumidificadores 1200 coloque ventiladores TurboDryer® de Dri-Eaz alrededor del perímetro de la habitación, a fin de distribuir la energía térmica y hacer que la humedad de las superficies mojadas se pierda en el aire.

Cómo funciona el deshumidificador 1200

Los deshumidificadores refrigerantes de Dri-Eaz hacen que el aire húmedo atraviese un evaporador muy frío. La humedad del aire se condensa en el serpentín. En determinados momentos, la máquina funciona en modo "descongelación", ya que calienta la escarcha acumulada en el serpentín del evaporador y la convierte nuevamente en agua. El agua se acumula en un recipiente y se elimina por una manguera.

IMPORTANTE: Antes de mover la unidad, asegúrese de que no haya agua en la bomba. Consulte "Cómo usar el panel de control" en la página 8 para obtener información sobre el uso de la función PURGAR.

DÓNDE COLOCAR UN DESHUMIDIFICADOR

Para obtener mejores resultados, utilice su deshumidificador en un espacio cerrado, lo que permite crear una cámara de secado. A fin de aumentar al máximo la eficacia de la unidad para eliminar el agua, cierre todas las puertas y ventanas que den al exterior. Además, trate de que el tránsito dentro de la cámara de secado sea mínimo. Coloque su deshumidificador 1200 contra una pared, lejos de cualquier elemento que lo obstruya, y manténgalo alejado de cualquier objeto que pueda bloquear el flujo de aire que entra y sale de la unidad.

Cómo controlar el aumento de temperatura

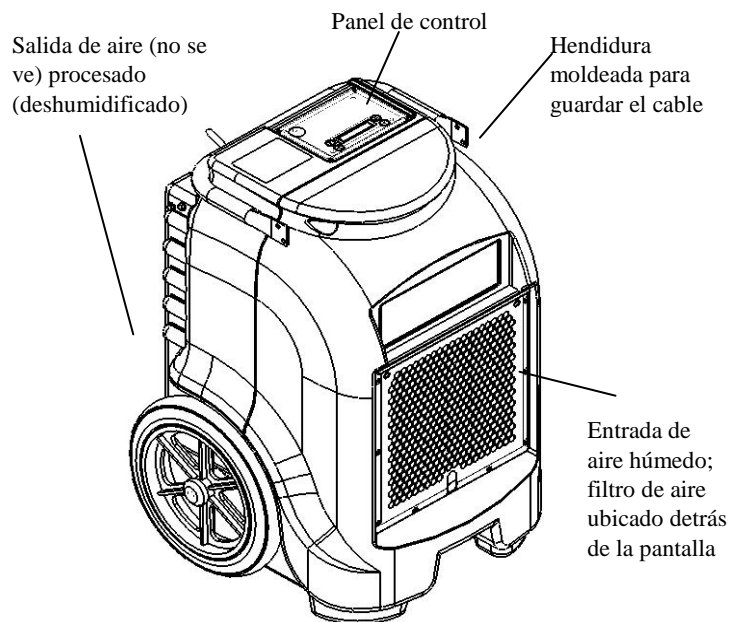
Los deshumidificadores DrizAir calientan el aire a medida que eliminan la humedad. Las temperaturas de secado óptimas varían de 68 a 85 °F (20 a 29 °C).

La manera más exacta de controlar la temperatura es con un termohigrómetro, pero también puede usar un termómetro de interior/exterior; tan solo asegúrese de colocarlo en el centro de la habitación, alejado del flujo de aire del deshumidificador.

Si la temperatura alcanza niveles peligrosos (más de 90 °F/32 °C), puede hacer que disminuya usando el sistema de calefacción, ventilación y aire acondicionado (HVAC, por sus siglas en inglés).

Para obtener más información sobre cómo crear un ambiente de secado óptimo, llame www.Dri-Eaz.com.

FIG. A: FRENTE



CÓMO USAR SU DESHUMIDIFICADOR

Coloque la unidad en posición vertical

Siempre use el deshumidificador en posición vertical. Si la unidad ha sido almacenada o transportada en posición horizontal, enderézela y déjela en posición vertical durante al menos 30 minutos antes de prenderla. Cuando la máquina está en posición horizontal, el aceite del compresor fluye hacia los serpentines refrigerantes, lo que disminuye la capacidad de funcionamiento del deshumidificador.

Coloque la manguera de drenaje

La bomba de condensado del modelo 1200 se conecta a una manguera de drenaje plástica que está enrollada alrededor de la salida de aire en la parte de atrás de la unidad. Desenrolle toda la manguera y coloque el extremo suelto en una pila, un desagadero, un balde o afuera: en cualquier lugar donde el agua pueda drenar de forma segura. Si acumula el agua en un balde u otro recipiente, contrólolo con frecuencia para evitar derrames.

NOTA: Desenrosque y estire toda la manguera de drenaje. No deje ninguna parte de la manguera enroscada en la unidad ni coloque el extremo de la manguera a más de 20 pies (6 m). Controle también que no haya dobleces u obstrucciones que impidan el paso del agua. De lo contrario, es posible que la bomba se tape y pierda agua.

Enchufe el cable eléctrico

Busque el cable eléctrico en la parte superior de la unidad o en la parte de atrás. El deshumidificador 1200 puede enchufarse en un tomacorriente de 115 voltios

(15 amperios) con descarga a tierra, que es el que se encuentra en la mayoría de los hogares.

Si la unidad pierde potencia, ya sea debido a una interrupción de la energía o a la protección contra sobrecarga térmica, deje descansar la unidad cinco minutos antes de volver a prenderla. De lo contrario, podría dejar de funcionar otra vez.

Prenda la unidad

Presione el botón "prendido" de la placa sensible al tacto.


Cómo usar el panel de control

La placa sensible al tacto de los deshumidificadores DrizAir posee una pantalla y cuatro teclas. Los mensajes normales que aparecen en la pantalla son:

DESHUMIDIFICADOR APAGADO
DESHUMIDIFICADOR PRENDIDO
TOTAL DE HORAS
HORAS DE TRABAJO
RETAR COMPRS
BOMBA PURGANDO
DESCONGELADOR PRENDIDO
SOLICITAR SERVICIO ERXX


Cuando la unidad se enchufa por primera vez a la corriente alterna, la pantalla de la placa sensible al tacto mostrará continuamente tres mensajes que alternan entre sí: DESHUMIDIFICADOR APAGADO, TOTAL DE HORAS y HORAS DE TRABAJO.



 **PRENDIDO-APAGADO.** Presione la tecla PRENDIDO-APAGADO para prender o apagar la unidad. Cuando se prende la máquina, suele aparecer en la pantalla la leyenda RETAR COMPRS y se produce una cuenta regresiva que va desde un máximo de 60 segundos hasta 0. Este retardo del compresor permite que la máquina se vaya precalentando (de ser necesario). Si no aparece una cuenta regresiva por el retardo del compresor, significa que la máquina está lista para empezar a funcionar. Una vez que desaparece la leyenda RETAR COMPRS, aparece en la pantalla

DESHUMIDIFICADOR PRENDIDO, y se alternan los mensajes TOTAL DE HORAS, HORAS DE TRABAJO y DESHUMIDIFICADOR PRENDIDO.

Vuelva a presionar la tecla PRENDIDO-APAGADO para apagar la unidad. En la pantalla aparecerá DESHUMIDIFICADOR APAGADO.


 **VISUALIZAR.** Presione la tecla VISUALIZAR para elegir uno de los tres mensajes que alternan en la pantalla: DESHUMIDIFICADOR PRENDIDO o APAGADO, TOTAL DE HORAS u HORAS DE TRABAJO. Vuelva a presionar VISUALIZAR para reiniciar el ciclo de visualización.

Cómo cambiar el idioma que aparece en la pantalla

ADVERTENCIA: Presionar otras teclas durante el modo de cambio de idioma puede ocasionar que se modifique la programación de la máquina. NO presione ninguna otra tecla que no figure en las instrucciones.

Use la tecla VISUALIZAR para cambiar el idioma que aparece en la pantalla. Siga estos pasos:

1. Desenchufe la unidad.
2. Mientras presiona la tecla VISUALIZAR, enchufe la unidad. En la pantalla dice INGLÉS.
3. Para cambiar a FRANCÉS, ALEMÁN o ESPAÑOL, presione la tecla VISUALIZAR o la tecla BORRAR.
4. Cuando en la pantalla aparezca el idioma que usted quiere, desenchufe la unidad para fijarlo.


 **BORRAR.** Presione la tecla BORRAR para reiniciar las HORAS DE TRABAJO.

1. En la pantalla aparecen en forma alternada DESHUMIDIFICADOR PRENDIDO, HORAS DE TRABAJO y TOTAL DE HORAS. Cuando aparezca HORAS DE TRABAJO, presione la tecla VISUALIZAR. De esa manera, HORAS DE TRABAJO quedará fijo en la pantalla.

2. Luego presione la tecla BORRAR para que los números vuelvan a 00000.

3. Vuelva a presionar VISUALIZAR para reiniciar el ciclo de visualización.

NOTA: No se puede reiniciar el TOTAL DE HORAS.

 **PURGAR.** Presione la tecla PURGAR para vaciar el agua que se encuentra en el depósito de la bomba. Durante el funcionamiento normal, la bomba se purga automáticamente cada seis minutos, o cada vez que el depósito esté lleno. En la pantalla se verá BOMBA PURGANDO y una cuenta regresiva. Para purgar la bomba en forma manual:

1. Presione la tecla APAGADO para que la unidad deje de funcionar, pero manténgala enchufada unos diez

minutos. Esto permite que el agua gotee de los serpentines y se acumule en la bandeja de goteo.

2. Presione PURGAR para eliminar el agua residual.

Modo "descongelación"

Si durante el funcionamiento normal el sensor de temperatura detecta formación de escarcha en los serpentines, comienza el ciclo de descongelación. En la pantalla aparecerá DESCONGELADOR PRENDIDO. Durante este ciclo, la deshumidificación se detiene. Cuando la unidad finalice el ciclo, en la pantalla aparecerá nuevamente DESHUMIDIFICADOR PRENDIDO.

Mensajes de error

Si el sistema de diagnóstico integrado del modelo 1200 detecta un problema, la unidad mostrará el mensaje "SOLICITAR SERVICIO" seguido de "ER" y un número del 01 al 09. Si aparece dicho mensaje, siga estas instrucciones:

1. Desenchufe la unidad y vuélvala a enchufar para que se reinicien los componentes electrónicos.
2. Si vuelve a aparecer el mensaje de error, pruebe la solución (si figura) que se indica en la sección "Mensajes de error" de la página 10.
3. Si sigue apareciendo el mensaje de error, comuníquese con el Departamento de Servicio Técnico de Dri-Eaz al 888-867-3235.

Al finalizar el trabajo

Como con todos los deshumidificadores, una vez finalizada la tarea de secado, es importante asegurarse de que la unidad no contenga agua antes de moverla.

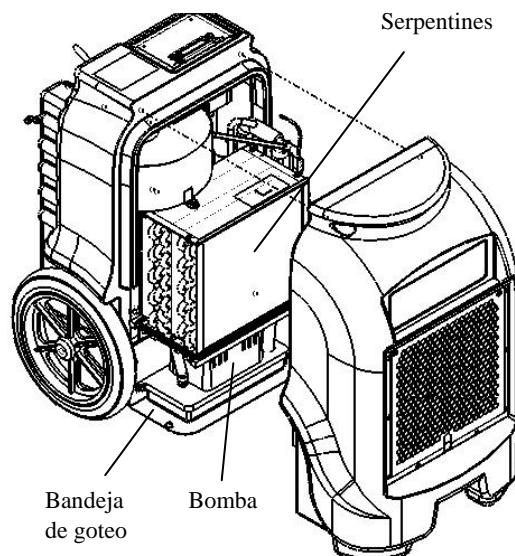
Para asegurarse de que toda el agua haya drenado hacia la bomba, apague la unidad, manténgala 10 minutos apagada y después presione el botón PURGAR. (Para que purgue, la unidad debe estar enchufada). Una vez finalizado el ciclo de purgado, desenchufe la unidad y quítela de inmediato de la zona de trabajo.

Antes de transportarla, asegúrese de quitar la manguera de drenaje externa, vaciarla con cuidado y volver a colocarla en la cavidad que está en el frente de la unidad.

MANTENIMIENTO

¡ADVERTENCIA! PELIGRO DE DESCARGA ELÉCTRICA. Desenchufe el deshumidificador 1200 antes de realizar cualquier tarea de mantenimiento.

FIG. B: LIMPIEZA



Antes de cada uso

Controle el cable eléctrico para detectar daños.

Fíjese que el cable no esté pelado, cortado, etc. No use la unidad si detecta algún daño. Para conocer el Centro de Servicio Técnico más cercano, llame a Dri-Eaz al 800-932-3030.

Controle y aspire el filtro cuando sea necesario.

Tenga siempre un filtro limpio en la unidad para proteger los componentes internos contra la acumulación de polvo y otras partículas. El modelo 1200 está equipado con un filtro para alto flujo de aire High Air-Flow (HAF) de 3M™. El filtro para HAF se puede limpiar con aspiradora y volver a usar hasta tres veces. **No enjuague ni lave el filtro para HAF**, ya que reducirá la eficacia del material electrostático.

Reemplácelo únicamente con un filtro para HAF de 3M nuevo (pieza n.º F368 de Dri-Eaz). Para solicitar piezas y servicio técnico, llame al distribuidor de su zona.

ADVERTENCIA: El polvo puede hacer que la unidad se recaliente y se apague. No utilice el equipo cuando haya exceso de polvo o partículas en el aire, por ejemplo durante el lijado o la pintura con pulverizador. Controle y limpie los serpentines y los componentes del filtro de aire con frecuencia.

IMPORTANTE: Reemplace el filtro para HAF cuando 1) lo haya limpiado con la aspiradora tres veces o 2) haya sido utilizado en tareas de eliminación de moho o haya sido expuesto a sustancias contaminantes potencialmente peligrosas.

Una vez al mes

Controle los serpentines. Los serpentines sucios pueden hacer que la unidad se recaliente. Límpielos cuando los note sucios. Vea la Fig. B.

1. Desenchufe la unidad.

2. Retire la carcasa, busque los serpentines y déjelos secar si están húmedos.

3. Aspire ambos lados de los serpentines hasta que estén limpios; tenga cuidado de que la boquilla de la aspiradora no toque las aletas, ya que si se doblan podrían dañarse.

Verifique la bandeja de recepción. Límpiela cuando vea que está sucia.

1. Límpiela con un trapo.

Verifique la manguera de drenaje.

1. Si nota alguna obstrucción, desconecte la manguera y límpiela.
2. Vuelva a colocar la manguera de drenaje por gravedad.

Una vez al año

Llame un centro de servicio técnico habilitado para que controle el sistema de la bomba.

TRANSPORTE Y ALMACENAMIENTO

AVISO: Manipule la unidad con cuidado. No la tire ni la apoye en lugares donde pueda caerse. Si no trata este equipo con cuidado, puede dañarse y

ocasionar algún peligro, o la garantía puede quedar anulada.

IMPORTANTE: Antes de mover la unidad, asegúrese de purgar el agua que se encuentra en el depósito de la bomba. Consulte "Cómo usar el panel de control" en la página 8 para obtener información sobre la función PURGAR. Tenga en cuenta que, para que purgue, la unidad debe estar enchufada.

1. No exponga el panel de control a humedad, nieve o lluvia cuando lo transporte en vehículos descubiertos.
2. Transpórtelo y almacénelo de manera segura para evitar cualquier impacto que dañe las partes internas.

MENSAJES DE ERROR

El siguiente cuadro muestra los mensajes de error que puede detectar el sistema. Si en la pantalla hay un mensaje que dice "ER", desenchufe la unidad y vuelva a enchufarla. Es posible que se reinicien los componentes electrónicos; en ese caso, no hay que hacer nada más. Si el mensaje de error vuelve a aparecer, pruebe con la solución que se indica en "Explicación". Si persiste el problema, comuníquese con el centro de servicio técnico autorizado de su zona.

MENSAJE DE ERROR	EXPLICACIÓN
ER 1, 2, 3, 5, 6	Problema con el panel de control electrónico. Comuníquese con el Departamento de Servicio Técnico de Dri-Eaz.
ER 4	Verifique la temperatura o el cable del sensor. Comuníquese con el Departamento de Servicio Técnico de Dri-Eaz para que le den instrucciones.
ER 8	Verifique las teclas de la placa sensible al tacto. Presione y suelte cada tecla varias veces.
ER 9	Controle que no haya obstrucciones ni dobleces en la manguera de drenaje.

DETECCIÓN DE PROBLEMAS

FALLA	MOTIVO	SOLUCIÓN
La unidad no funciona.	La máquina no recibe electricidad. Unidad desenchufada.	Enchufe la unidad; revise la electricidad en el tomacorriente y en la base de la unidad. Préndala.
La unidad funciona, pero la habitación no se seca.	Tiempo de secado insuficiente. Poca circulación de aire en la habitación. Infiltración excesiva de aire húmedo.	Permita más tiempo de secado. Aumente la circulación de aire con ventiladores. Reduzca la infiltración.
La unidad está continuamente en modo "descongelación".	La temperatura de la habitación es demasiado baja.	Aumente la temperatura de la habitación.
La bomba no funciona.	La válvula del flotador está atorada.	Limpie el eje de la válvula del flotador.
La unidad junta muy poca agua.	El aire de la habitación está seco. La temperatura de la habitación es demasiado baja.	Controle la humedad con un higrómetro. Aumente la temperatura de la habitación. Controle el filtro y los serpentines; límpielos si es necesario.
<p><i>Si su problema no está incluido aquí, llame al distribuidor de su zona o comuníquese sin cargo con el Departamento de Servicio Técnico de Dri-Eaz al 800-932-3030.</i></p>		

ESPECIFICACIONES

Modelo	DrizAir 1200 F203-A
Tipo	Refrigerante estándar
Refrigerante	R-410A
Peso	80 lb 36 kg
Dimensiones (altura x profundidad x ancho)	32 x 20 x 19.5 in 83 x 50 x 50 cm
Potencia	6.4 A, 115 V
Eliminación de agua según AHAM (80 °F [26.5 °C]/60% de humedad relativa)	64 pt 30 l por día
Eliminación de agua máxima (90 °F [32 °C]/90% de humedad relativa)	132.3 pt 62.6 l por día
Cantidad máxima de aire procesado	235 cfm 400 m ³ /h*
Radio de funcionamiento	33°–100 °F 1°–38 °C
Filtro de aire	Filtro HAF para alto flujo de aire, de 3M (pieza n.º F368)
Cable de alimentación	25 ft. 7.6 m
Construcción	Carcasa rotomoldeada de polietileno
Seguridad	Certificación de ETL conforme a las normas CSA 22.2 N ^o 92
<p>Las especificaciones están sujetas a cambios sin previo aviso. Algunos valores pueden ser aproximados.</p>	

La información sobre la garantía está disponible en www.dri-eaz.com.

INFORMACIÓN DE CONTACTO

Dri-Eaz Products, Inc.
15180 Josh Wilson Rd.
Burlington, WA 98233
800-932-3030 www.dri-eaz.com

Manuel d'utilisation **Déshumidificateur DrizAir 1200**

Modèle F203-A

DRI-EAZ PRODUCTS, INC.

15180 Josh Wilson Road, Burlington, WA 98233 (États-Unis)

Téléphone : 800-932-3030 Télécopie : 360-757-7950 www.dri-eaz.com

L'appareil DrizAir[®] 1200 réduit l'humidité dans les environnements structuraux fermés en éliminant la vapeur contenue dans l'air. Le 1200 est robuste, durable, facilement transportable et, par conséquent, il est l'outil parfait pour tout projet de restauration à la suite de dégâts causés par l'eau, pour le séchage structural et la construction, ainsi que pour d'autres applications exigeant une déshumidification temporaire d'une très grande efficacité.

Patents: <http://www.LBpatents.com>

LIRE ET CONSERVER CES INSTRUCTIONS

CONSIGNES DE SÉCURITÉ

⚠ AVERTISSEMENT



AVERTISSEMENT! Risque d'électrocution, ventilateur en rotation, dangers liés aux surfaces chaudes. Débranchez l'appareil avant d'ouvrir le couvercle pour un nettoyage ou un entretien. L'appareil doit être mis à la terre.

- Vérifiez le cordon d'alimentation avant utilisation. N'utilisez pas l'appareil si le cordon est endommagé. Saisissez toujours la fiche (et non pas le cordon) pour débrancher.
- Introduisez la fiche à trois broches du cordon d'alimentation dans une prise électrique correspondante mise à la terre. N'utilisez pas d'adaptateur. Ne coupez jamais la troisième broche. N'utilisez pas de rallonge électrique.
- L'appareil doit être utilisé sur un circuit de 115 V/60 Hz protégé par un disjoncteur de fuite de terre.
- Le moteur et le câblage doivent rester secs.
- N'essayez pas de réparer l'appareil. Pour obtenir une liste des centres d'entretien agréés.

AVANT DE COMMENCER

Déballage de l'appareil

Conservez tout le matériel d'emballage et les cartons pour un renvoi éventuel.

Pose de la poignée

À la livraison de l'appareil 1200, la poignée n'est pas montée. Fixez la poignée à l'aide des quatre boulons à tête hexagonale ¼-20 fournies et d'un tournevis ou d'une clé ⅜. Assurez-vous que la poignée est solidement vissée avant d'utiliser l'appareil.

Enregistrement de la garantie

Allez sur le site warranty.drieaz.com pour enregistrer votre achat. L'enregistrement nous permet de mieux vous aider avec l'utilisation, la maintenance et la réparation de votre équipement, et nous pourrions ainsi vous contacter si nous avons des informations importantes sur la sécurité de votre produit Dri-Eaz. Si vous estimez qu'un entretien est nécessaire, soyez prêt à fournir le modèle, le numéro de série et la preuve d'achat initial de l'appareil et appelez votre distributeur pour obtenir une autorisation de renvoi de matériel.

INTRODUCTION

Les déshumidificateurs réduisent l'humidité dans les environnements structuraux fermés en éliminant la vapeur d'eau contenue dans l'air. Lorsqu'ils sont utilisés correctement, les appareils 1200 peuvent aider à sécher les moquettes, les sous-tapis, les planchers, les murs, le contenu d'un bâtiment, et bien plus. L'utilisation de déshumidificateurs peut également aider à prévenir des dommages secondaires causés par des taux d'humidité élevés. Pour obtenir les meilleurs résultats possibles, utilisez les déshumidificateurs 1200 avec les appareils de ventilation TurboDryer de Dri-Eaz, en les plaçant sur le périmètre de la pièce afin de distribuer l'énergie thermique et de libérer dans l'air l'humidité provenant des surfaces mouillées.

Fonctionnement du déshumidificateur 1200

Les déshumidificateurs réfrigérants Dri-Eaz fonctionnent en attirant l'air humide à travers un noyau d'évaporation extrêmement froid. L'humidité de l'air se condense sur le serpentin. Sous certaines conditions, l'appareil fonctionne en mode de dégivrage, réchauffe tout le givre qui aurait pu s'accumuler sur le serpentin de l'évaporateur et le transforme en eau. L'eau est recueillie dans un plateau et est pompée à travers un tuyau.

IMPORTANT : Avant de déplacer l'appareil, assurez-vous qu'il n'y a pas d'eau dans la pompe. Voir comment utiliser la fonction PURGE au paragraphe « Mode d'emploi du panneau de commande » page 14.

POSITIONNEMENT D'UN DÉSHUMIDIFICATEUR

Pour obtenir les meilleurs résultats possibles, faites fonctionner vos déshumidificateurs dans un espace clos, afin de créer une chambre de séchage. Fermez toutes les portes et fenêtres qui s'ouvrent vers l'extérieur afin de permettre à l'appareil d'éliminer l'eau le plus efficacement possible. Veillez également à ce que le nombre de passages dans la chambre de séchage soit minimal. Placez le 1200 contre un mur, loin de tout obstacle, et loin de tout objet qui pourrait bloquer le débit d'air qui entre et sort de l'appareil.

Contrôle de l'augmentation de température

Les déshumidificateurs DrizAir réchauffent l'air en éliminant l'humidité. Les températures de séchage optimales varient entre 20 et 29 °C (68 à 85 °F).

La façon la plus précise de mesurer la température est d'utiliser un thermo-hygromètre; vous pouvez toutefois utiliser un thermomètre intérieur/extérieur pour évaluer la température – assurez-vous qu'il est placé au centre de la pièce, loin du flux du déshumidificateur.

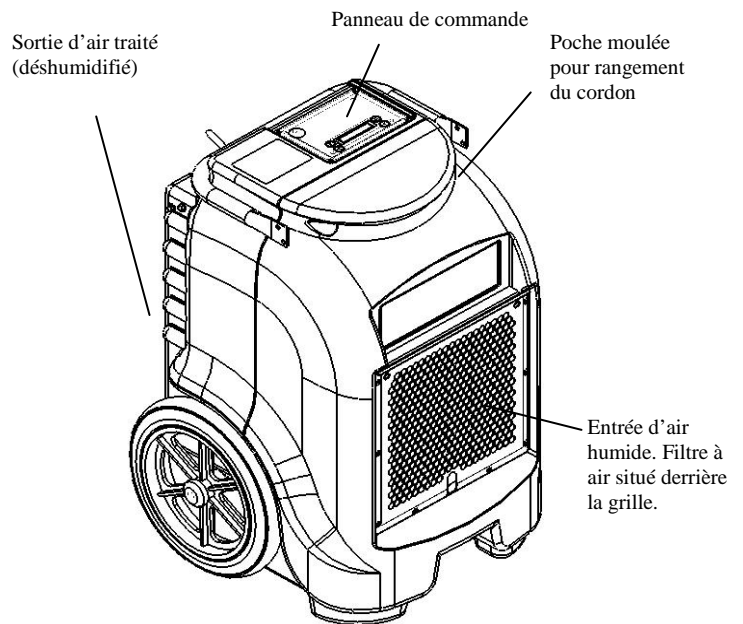
Si la température monte à un niveau dangereux (plus de 32 °C / 90 °F) vous pouvez utiliser le système CVC (chauffage et climatisation) pour la faire baisser.

FONCTIONNEMENT DU DÉSHUMIDIFICATEUR

Placement vertical de l'appareil

– Transportez toujours un déshumidificateur en position verticale. Si un déshumidificateur a été entreposé ou transporté en position horizontale, placez-le en position verticale et laissez-le ainsi pendant 30 minutes au moins avant de le mettre en marche. Lorsque l'appareil est à l'horizontale, l'huile en provenance du compresseur

FIG. A : AVANT



s'écoule dans les serpentins réfrigérants et réduit la capacité de fonctionnement du déshumidificateur.

Pose du tuyau de vidange

La pompe à condensat 1200 est raccordée à un tuyau de vidange en plastique qui se trouve dans la poche située à l'arrière de l'appareil. Déroulez le tuyau au complet et placez l'extrémité non attachée dans un évier, un drain, un seau, ou à l'extérieur, dans un endroit où l'eau peut s'écouler sans danger. Si vous utilisez un seau ou un autre récipient pour recueillir l'eau, inspectez-le souvent pour éviter tout débordement.

REMARQUE - Déroulez et redressez le tuyau de vidange au complet. Ne laissez aucune partie du tuyau enroulé sur l'appareil et ne placez pas l'extrémité du tuyau à une hauteur supérieure à 6 m (20 pi) au-dessus de l'appareil. Assurez-vous également de l'absence d'entortillements et d'obstructions qui pourraient restreindre le débit de l'eau. L'eau pourrait remonter dans la pompe si cela se produisait, et vous auriez des fuites.

Branchement du cordon électrique

Le cordon d'alimentation électrique se trouve sur le dessus ou à l'arrière de l'appareil. Le déshumidificateur 1200 peut être branché sur une prise de 115 volts (15 ampères) protégée par un disjoncteur de fuite de terre, standard dans la plupart des habitations.

En cas de panne d'alimentation due soit à une interruption du courant ou à une protection de surcharge thermique, attendre cinq minutes avant de remettre l'appareil en marche. Sinon, il risque de s'éteindre à nouveau.

Mise en marche de l'appareil

Appuyez sur le bouton « marche » du clavier tactile.

Mode d'emploi du panneau de commande

Le panneau de commande du déshumidificateur DrizAir comprend un écran et quatre touches. Les messages normaux affichés sont :

DÉSHUMIDIFICATEUR ARRÊTÉ	
DÉSHUMIDIFICATEUR EN MARCHÉ	
COMP. DIFFÉRÉ	PURGE POMPE
HRS TOTALES	DÉGIVRAGE
HRS TRAVAIL	OBTENIR SERVICE ERXX

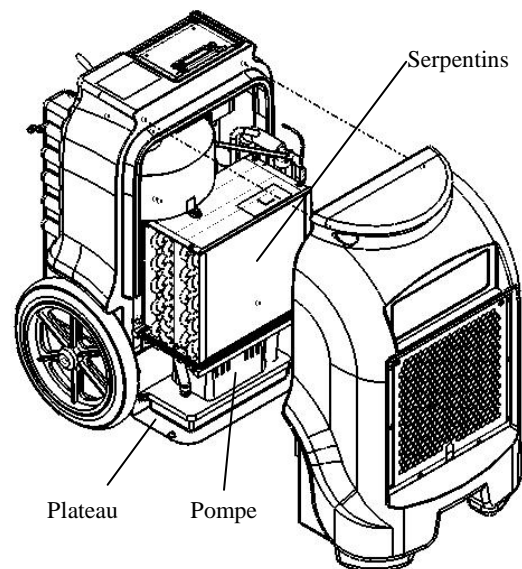
Lorsque l'appareil est branché sur secteur, le clavier tactile affiche trois messages en continu :
DÉSHUMIDIFICATEUR ARRÊTÉ, HEURES TOTALES ET HEURES TRAVAIL.



① **MARCHE/ARRÊT.** Appuyez sur la touche Marche/Arrêt pour mettre l'appareil en marche ou pour l'arrêter. Lorsque l'appareil se met en marche, l'écran indique généralement COMP. DIFFÉRÉ et effectue un compte à rebours de 60 secondes maximum. Cette temporisation laisse à l'appareil le temps nécessaire pour se réchauffer (si nécessaire). Si vous ne voyez pas de compte à rebours du compresseur différé, l'appareil est prêt à fonctionner. Lorsque l'appareil a terminé le compte à rebours, l'écran affiche DÉSHUMIDIFICATEUR EN MARCHÉ et effectue un cycle entre HEURES TOTALES, HEURES TRAVAIL ET DÉSHUMIDIFICATEUR EN MARCHÉ. Appuyez une nouvelle fois sur la touche Marche/Arrêt pour éteindre l'appareil. DÉSHUMIDIFICATEUR ARRÊTÉ s'affiche.

② **AFFICHAGE.** Appuyez sur la touche AFFICHAGE pour arrêter l'affichage sur DÉSHUMIDIFICATEUR EN MARCHÉ ou ARRÊTÉ, HEURES TOTALES ou HEURES TRAVAIL lors du cycle. Appuyez une nouvelle fois sur le bouton AFFICHAGE pour redémarrer le cycle.
Changement de la langue de l'affichage

FIG. B: NETTOYAGE



ATTENTION : En mode de changement de langue, la programmation de l'appareil peut être modifiée si vous pressez sur d'autres touches. NE pressez que sur les touches indiquées.

Utilisez la touche AFFICHAGE pour changer la langue de l'affichage.

Étapes à suivre :

1. Débranchez l'appareil.
2. Tout en maintenant la touche AFFICHAGE enfoncée, rebranchez l'appareil. ENGLISH est affiché.
3. Pour passer à FRANCAIS, DEUTSCH, ou ESPANOL, appuyez sur la touche AFFICHAGE ou la touche EFFACER.
4. Une fois que la langue désirée s'affiche, débranchez l'appareil pour valider celle-ci.

③ **EFFACER.** Pressez sur la touche EFFACER pour remettre les HEURES TRAVAIL à zéro

1. Durant le cycle d'affichage entre DÉSHUMIDIFICATEUR EN MARCHÉ, HEURES TRAVAIL, et HEURES TOTALES, appuyez sur la touche AFFICHAGE quand HEURES TRAVAIL apparaît à l'écran. L'affichage HEURES TRAVAIL restera.
2. Appuyez ensuite sur la touche EFFACER pour remettre le compteur à 00000.
3. Appuyez une nouvelle fois sur le bouton AFFICHAGE pour redémarrer le cycle.
REMARQUE : L'affichage HEURES TOTALES ne peut pas être remis à zéro.

④ **PURGE.** Appuyez sur la touche PURGE pour vidanger l'eau du réservoir de la pompe. Lors d'un fonctionnement normal, la pompe effectue automatiquement une purge toutes les six minutes, ou chaque fois que le réservoir est plein. L'affichage indique

PURGE POMPE avec un compte à rebours. Pour vidanger la pompe manuellement :

1. Éteignez l'appareil à l'aide de la touche ARRÊT et laissez l'appareil débranché pendant environ 10 minutes. Ceci permet à l'eau de s'écouler des serpentins vers le plateau d'égouttement.
2. Appuyez sur PURGE pour évacuer toute l'eau restante.

Mode de dégivrage


Durant le fonctionnement normal, la sonde de température détecte le givre qui aurait pu s'accumuler sur le serpentin, entraînant le démarrage du cycle de dégivrage. DÉGIVRAGE EN MARCHÉ s'affiche. La déshumidification s'arrête durant le cycle de dégivrage. Lorsque l'appareil a terminé le cycle, DÉSHUMIDIFICATEUR EN MARCHÉ s'affiche à nouveau.

Messages d'erreurs

Lorsque les diagnostics intégrés du 1200 détectent un problème, l'appareil affiche « OBTENIR SERVICE », SUIVI DE « ER » et un chiffre entre 01 et 09. Si un message s'affiche, suivez les étapes suivantes :

1. Débranchez l'appareil et rebranchez-le. Ceci peut réinitialiser les composants électroniques.
2. Si le message d'erreur réapparaît, essayez la solution indiquée (s'il y en a une) dans la liste « Messages d'erreur » p. 16.
3. Si le message d'erreur est toujours présent, veuillez contacter le service technique de Dri-Eaz au 888-867-3235.

À la fin du travail

Comme pour tous les déshumidificateurs, une fois le travail de séchage terminé, il est important de vérifier que l'appareil est complètement purgé de son eau avant de le transporter. **Pour vous assurer que toute l'eau s'est écoulée dans la pompe, arrêtez l'appareil, attendez 10 minutes, puis appuyez sur le bouton  PURGE.** (L'appareil doit être branché pour que la purge s'effectue.) Une fois la purge terminée, débranchez l'appareil et retirez-le rapidement du site.

Avant le transport, n'oubliez pas de retirer le tuyau externe, videz-le avec précaution et remettez-le dans la poche moulée à l'avant de l'appareil.

ENTRETIEN

AVERTISSEMENT! RISQUE DE DÉCHARGE ÉLECTRIQUE. Débranchez le déshumidificateur 1200 avant de procéder à tout entretien.

Avant chaque utilisation

Regardez si le cordon électrique est intact (absence d'effilochage, de coupures, etc.). N'utilisez pas l'appareil si le cordon est abîmé.

Inspectez et videz le filtre selon les besoins.

Conservez toujours un filtre propre dans l'appareil afin de protéger les composants internes contre l'accumulation de poussière et autres particules. Le 1200 comprend un filtre à débit d'air élevé 3M™. Le filtre HAF peut être nettoyé à l'aspirateur et être réutilisé jusqu'à trois fois. **Ne rincez pas et ne lavez pas le filtre HAF :** cela compromettra l'efficacité du dépoussiéreur électrostatique.

Remplacez-le uniquement par un nouveau filtre 3M HAF (Pièce Dri-Eaz № F368). Appelez votre distributeur local pour les pièces et services.

ATTENTION - La poussière peut causer une surchauffe et un arrêt de l'appareil. N'utilisez pas celui-ci en présence d'une quantité excessive de particules en suspension dans l'air, comme lors de travaux de ponçage ou de peinture au pistolet. Inspectez et nettoyez fréquemment les serpentins et les éléments du filtre à air.

IMPORTANT - Remplacez le filtre HAF chaque fois que : 1) il a été passé à l'aspirateur 3 fois; ou 2) le filtre a été utilisé lors d'un travail de restauration en raison de moisissures, ou s'il a été exposé à d'autres contaminants présentant un danger potentiel.

Tous les mois

Examinez les serpentins. Les serpentins sales peuvent créer une surchauffe de l'appareil. Nettoyez-les s'ils présentent une saleté évidente. Voir Fig. B.

1. Débranchez l'appareil.
2. Retirez le boîtier, localisez les serpentins et laissez-les sécher s'ils sont mouillés.
3. Passez l'aspirateur sur les deux côtés des serpentins jusqu'à ce qu'ils soient propres, en veillant à ne pas toucher les ailettes, car cela risquerait de les abîmer.

Inspectez le plateau d'égouttement. Nettoyez les saletés ou débris éventuels.

1. Essuyez-le avec un chiffon.

Inspectez le tuyau de vidange.

1. Vérifiez l'absence d'obstruction. Débranchez et retirez tout débris éventuel.
2. Ré-attachez le tuyau de vidange.

Tous les ans

Faites faire un examen du système de pompe par le service technique de Dri-Eaz..

TRANSPORT ET ENTREPOSAGE

AVIS - Manipulez l'appareil avec le plus grand soin. Ne le laissez pas tomber, ne le lancez pas, et ne le

placez pas dans un endroit d'où il pourrait tomber. L'équipement pourrait subir des dommages s'il est traité sans précaution, ce qui pourrait créer des conditions dangereuses ou annuler la garantie.

IMPORTANT - N'oubliez pas de purger l'eau du réservoir de la pompe avant de déplacer l'appareil. Voir la fonction PURGE au paragraphe « Mode d'emploi du panneau de commande » page 14.

Notez que l'appareil doit être branché pour que la purge s'effectue.

1. N'exposez pas le panneau de commande à la l'humidité, à la neige ou à la pluie lorsque vous le transportez dans des véhicules non couverts.
2. Entreposez-le et transportez-le en toute sécurité afin d'éviter tout impact dommageable sur les pièces internes.

MESSAGES D'ERREURS

Le tableau ci-dessous indique des messages d'erreurs que le système pourrait détecter. Si l'écran affiche un message « ER », commencez par débrancher l'appareil, puis rebranchez-le. Ceci peut réinitialiser les composants électroniques et, dans ce cas, aucune action supplémentaire n'est requise. Si le message d'erreur réapparaît, essayez la solution indiquée sous le titre « Explication ». Si cela ne résout toujours pas le problème, contactez votre centre de services agréé local.

MESSAGE D'ERREUR	EXPLICATION
ER 1, 2, 3, 5, 6	Problème avec le tableau de commande électronique. Contactez le service technique de Dri-Eaz.
ER 4	Vérifiez la température ou le câble de sonde. Contactez le service technique de Dri-Eaz.
ER 8	Vérifiez les touches du clavier tactile. Appuyez, puis relâchez chaque touche plusieurs fois.
ER 9	Vérifiez qu'il n'y a aucune obstruction ni aucun coude dans le tuyau de vidange.

DIAGNOSTICS DE PANNES

PROBLÈME	CAUSE	SOLUTION
L'appareil ne fonctionne pas.	Aucune alimentation pour l'appareil. L'appareil n'est pas en marche.	Branchez l'appareil; vérifiez l'alimentation à la prise et à la base de l'appareil. Mettez-le en marche.
L'appareil fonctionne, mais la pièce ne sèche pas.	Temps insuffisant pour le séchage. Mauvais déplacement d'air dans la pièce. Infiltration excessive d'air humide.	Laissez plus de temps pour le séchage. Augmentez le déplacement d'air avec les appareils de ventilation. Réduisez l'infiltration.
L'appareil est continuellement en mode de dégivrage.	La température de la pièce est trop basse.	Augmentez la température de la pièce.
La pompe ne fonctionne pas.	Régulateur à flotteur coincé	Nettoyez la chambre du régulateur à flotteur.
L'appareil recueille une quantité d'eau insuffisante.	L'air de la pièce est sec. La température de la pièce est trop basse.	Vérifiez l'humidité avec un hygromètre. Augmentez la température de la pièce. Inspectez le filtre et les serpentins; nettoyez selon les besoins.
<p><i>Si le problème que vous rencontrez ne figure pas sur cette liste, appelez votre distributeur local ou contactez le service technique de Dri-Eaz (appel sans frais) au 800-932-3030.</i></p>		

Fiche technique

Modèle	DrizAir 1200 F203-A
Poids	80 lb 36 kg
Dimensions (H x P x l)	83 x 50 x 50 cm 32 x 20 x 19,5 po
Puissance	6,4 A, 115 V
AHAM de retrait d'eau (80 °F/60 % HR)	30 litres 64 chopines / jour
Retrait d'eau maximum (90 °F/90 % HR)	132.3 litres / jour
Déplacement de l'air (max)	400 m ³ /h 235 pi ³ /min
Plage de fonctionnement	1 ° – 38 °C 33 ° – 100 °F
Filtre d'air	Filtre 3M HAF (pièce n. F421)
Cordon d'alimentation	7,6 m 25 pi
Construction	Enveloppe plastique roto-moulé
Sécurité	Certifié ETL pour CSA 22.2 no. 92
La fiche technique est sous réserve de modifications sans préavis. Certaines valeurs peuvent être approximatives.	

Les données de garantie sont disponibles à l'adresse www.dri-eaz.com.

CONTACT

Dri-Eaz Products, Inc.
15180 Josh Wilson Rd.
Burlington, WA 98233
U.S.A.
800-932-3030 www.dri-eaz.com

