

FLOOR MACHINE

HIGH SPEED

OWNERS MANUAL & PARTS LIST

This equipment is intended for commercial use only



SS-20-1500HS-TC



1-888-722-5508

CleanFreak.com □ 3900 N. Providence Ave □ Appleton, WI 54913 □ (888)722-5508 □ Local (920)882-8453

WHEN THE MACHINE IS DELIVERED

Check the carton carefully for signs of rough handling. Remove the machine from the carton. If the machine is damaged, notify the carrier IMMEDIATELY and request an inspection. Be sure to keep the carton, packing inserts, packing lists and carrier's receipt until the inspector has verified your claim.

CleanFreak's liability ceases when the carrier picks up the shipment but our customer service staff will be glad to furnish any information needed in connection with the claim and will expedite repair of the machine.

BEFORE OPERATING THE MACHINE

Read the manual carefully and completely before attempting to operate the unit. This manual has important information for the use and safe operation of the machine. Keep this manual handy at all times. This machine will assure years of satisfactory service if operated and maintained according to recommendations in this manual. If additional information is needed, please contact your local distributor or write to:

**CleanFreak
P.O. Box 569
Wausau, WI 54402**

All information and specifications printed in the manual and parts list are current at the time of printing; however, because of CleanFreak's policy of continual product development, we reserve the right to make changes at any time without notice.

WARRANTY

To protect your investment, promptly fill in the required information on the warranty card that comes with the unit and mail it back.



WARNING

To reduce the risk of fire, electric shock, or injury:

- Do not operate the machine unless trained and authorized.
- Do not leave the machine when plugged in. Unplug from the outlet when not in use, before servicing, and when changing the brushes or pads.
- Use indoors only.
- Do not allow to be used as a toy. Close attention is necessary when used by or near children.
- Do not bypass or defeat the safety "lock-out lever."
- The machine was designed for use as per instruction and recommendations written in this manual. Any deviation from its proper use or purpose and the consequential damage that may occur is the sole responsibility of the end user.
- Do not use with damaged cord or plug. If the machine is not working as it should, or it has been dropped, damaged, left outdoors or dropped into water, return it to an authorized service center.
- Do not pull or carry by cord, use cord as handle, close a door on the cord or pull cord around sharp edges or corners. Do not run machine over cord. Keep cord away from heated surfaces.



WARNING (Continued)

- Do not unplug by pulling on cord. To unplug, grasp the plug, not the cord.
- Do not handle plug or appliance with wet hands.
- Make sure the machine is plugged into an electrical outlet with the same voltage and frequency rating as shown on the nameplate of the machine. Do not attempt to plug a 115- volt machine into a 230- volt outlet.
- Do not immerse or use this machine in standing water. Such use can cause electric shock.
- Keep the electrical supply cord from contacting the rotating brush or drive block.
- Do not expose machine to freezing temperatures.
- To avoid electric shock, do not expose the unit to rain. Store indoors only.
- Connect to a properly grounded outlet only. See “Grounding Instructions.”
- Turn off all controls before unplugging.
- When using an extension cord, use a 3 conductor grounding cord, 12 gauge wire or heavier.
- Do not put any object into openings. Do not use with any opening blocked. Keep free of dust, lint, hair and anything that may reduce air flow.
- Do not operate machine in flammable or explosive areas.
- All servicing of CleanFreak’s equipment should be performed by a CleanFreak authorized service center.
- Keep hair, loose clothing, fingers and all parts of body away from openings and moving parts.
- Use extra care when cleaning on stairs. When servicing machine, use manufacturer’s supplied or approved replacement parts.

FAILURE TO COMPLY WITH THE WARNING INSTRUCTIONS WILL VOID THE WARRANTY.

GROUNDING INSTRUCTIONS

Machine must be grounded. If it should malfunction or breakdown, grounding provides a path of least resistance for electrical current to reduce the risk of electric shock. This machine is equipped with a cord having an equipment-grounding plug. (Fig 1.) The plug must be plugged into an appropriate outlet that is properly installed in accordance with all local codes and ordinances. Do not remove ground pin; if missing, replace plug before use.

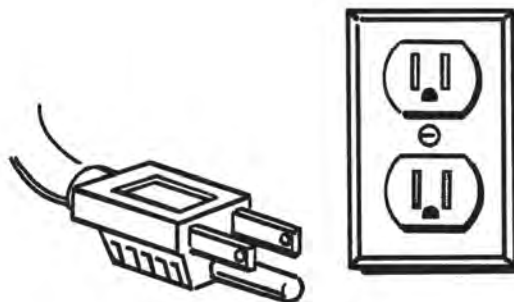


Fig. 1

PREPARING THE MACHINE FOR OPERATION

Your floor machine will operate in a wide variety of hard floors and carpet cleaning applications. Consult with your local dealer or CleanFreak's Customer Service to select the correct accessories for the job you are going to perform.

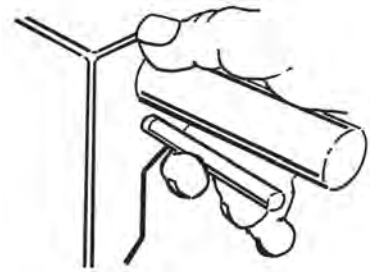
PAD INSTALLATION

To install pad, tilt the machine back on wheels until machine is resting on handle. Remove center lock by twisting it counterclockwise. Center the pad on the pad holder and re-insert pad center lock by twisting clockwise. Make sure the center lock is tight.

To remove: Twist the center lock counterclockwise.

MACHINE OPERATION

1. Install the pad.
2. Plug in machine.
3. Lower the handle to the desired operating position.



**when you start the machine with the pad lifted off the floor. Once it starts spinning then you may lower to the floor and start working.*

TO MANEUVER YOUR HIGH SPEED FLOOR MACHINE: *1500RPM OR 2000RPM ONLY*

1. With the pad installed, turn on the floor machine and move forward then backwards until the maximum gloss is reached.
2. Keep the machine moving and do not stay in one spot.
3. Practice until you gain experience in operating the unit.

TO RE-ADJUST THE HANDLE-LOCK MECHANISM

Unlock the handle and place it in the upright position. Tighten the adjusting nuts until there is a slight drag when the handle is raised or lowered. (Fig. 7)

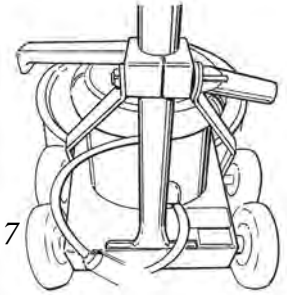


Fig. 7

TO ADJUST THE DRIVE BELT: (High-speed models only)

1. Loosen, but do not remove the 4 bolts, that hold the motor to the frame. (Fig. 8)
2. Tighten the 2 screws at the back of the frame until the belt is tight. . Test and re-adjust the belt until the belt does not slip. Re-tighten the four motor bolts.



WARNING: Do not over-tighten the belt.

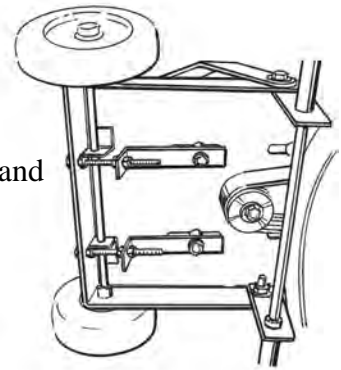
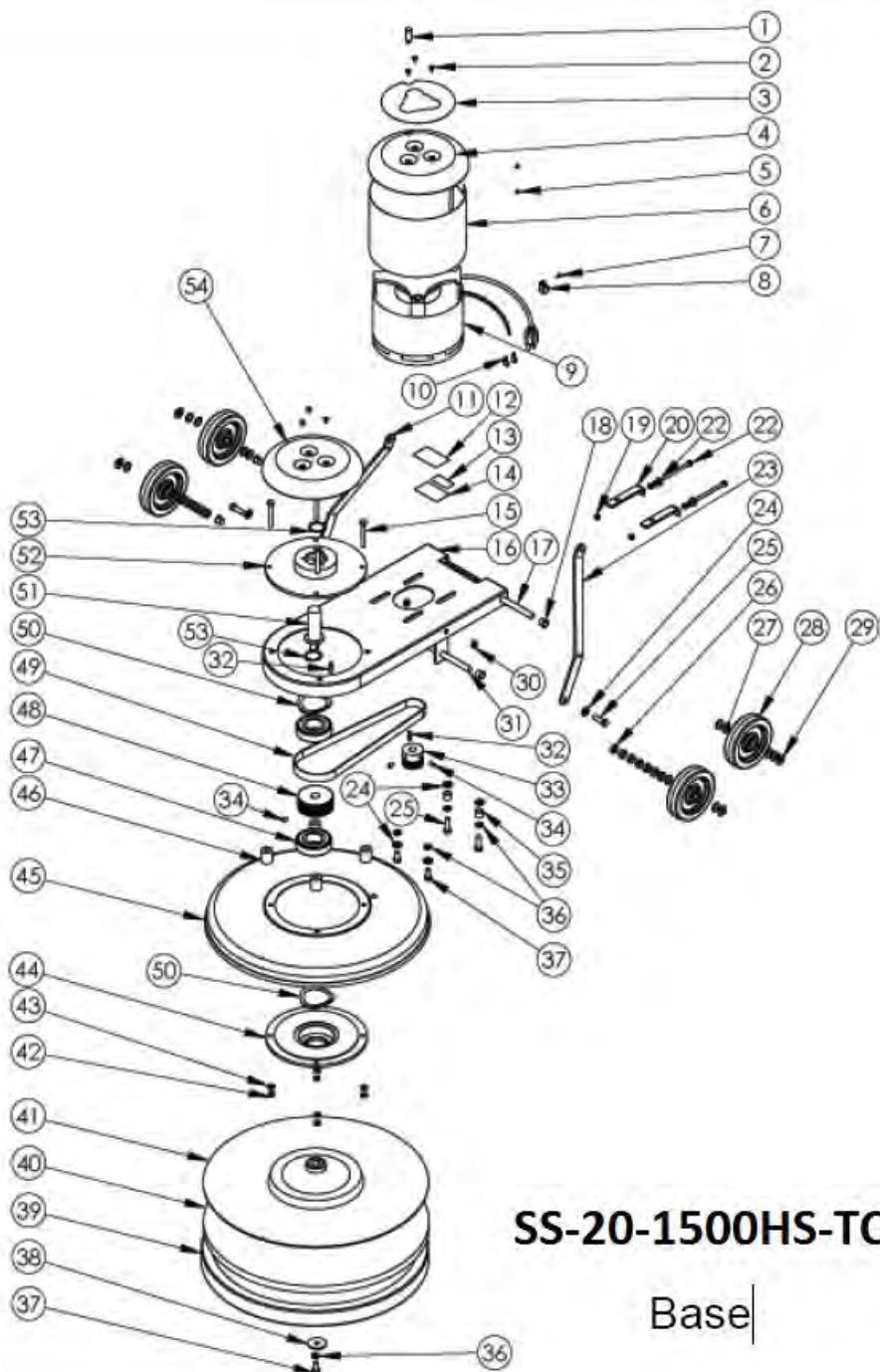


Fig. 8

CLEAN UP & STORAGE

1. Unplug and wrap it under the cord hook and around the left side handle grip. Clean the cord and inspect it for cuts, gashes and loose prongs.
2. Wipe down the machine and store in clean dry place.

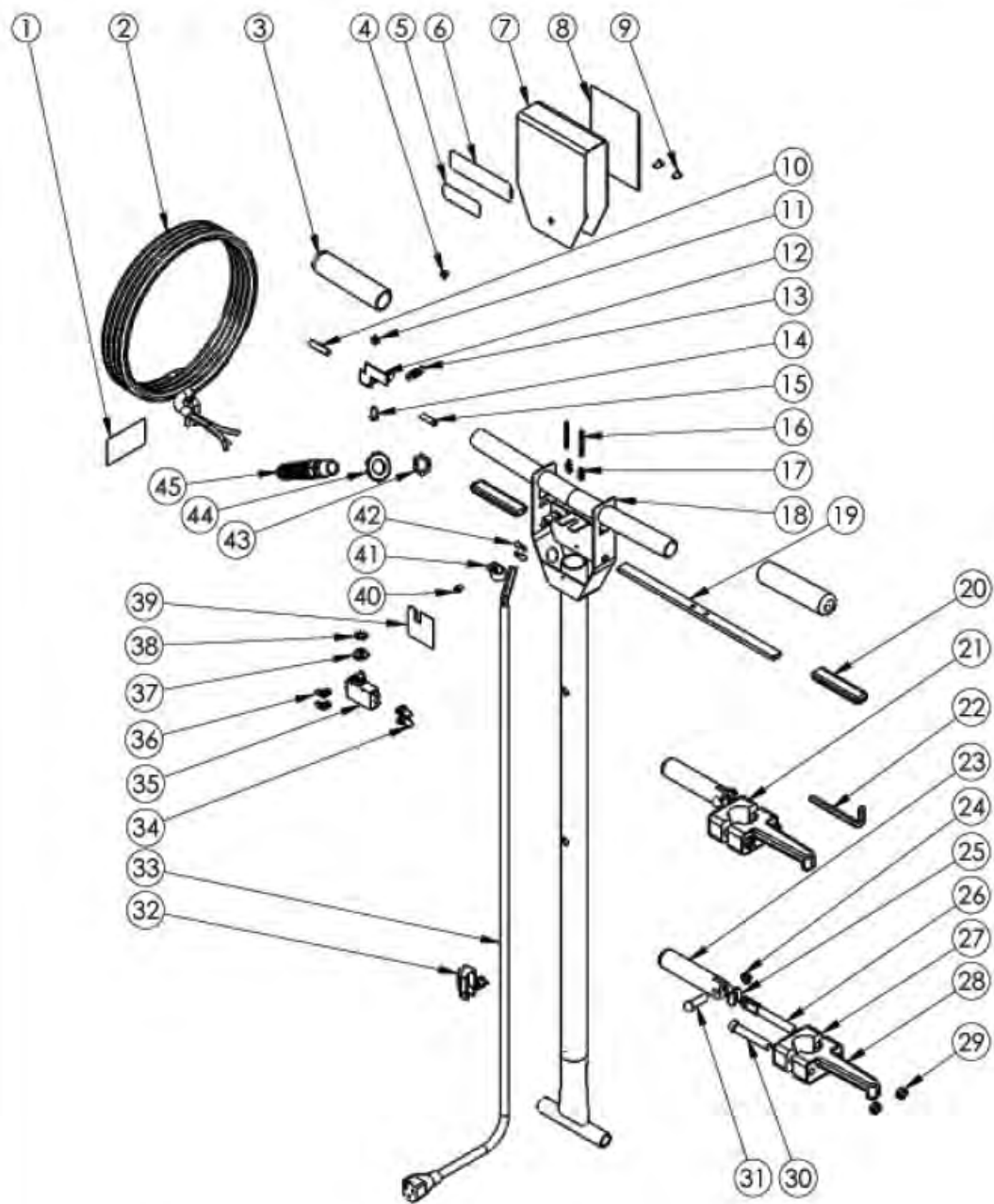


SS-20-1500HS-TC

Base

SS-1500-TC BASE

ITEM #	SS-1500-TC	DESCRIPTION	QTY
1	B02196-1	Light, Motor Carbon Brush Wear	1
2	C11916	Screw, 10-32 X .375 Phillips	6
3	H11830	Label, Drip Cover	1
4	D11490C	Drip Cover, Chrome w/ Hole for Green Light	1
5	C00297	Screw, #8 X .25 in, Pan Head	2
6	D11545	Motor Screen	1
7	C00293	#8 x .5 in Pan, Black SMS, Phillips	1
8	B00187	Cable Clamp, Nylon, .43 in.	1
9	G11557	Motor, High Speed	1
10	B00177	Terminal Lug, Female, QD, .25 X .032, 16-14 AWG, Fully Insulated	2
11	D11543	Handle Brace, Left	1
12	H03545	Cover, Serial # Label	1
13	H10976-1	Label, UL STD 561-507	1
14	H00565-5	Label, Serial #, Standard	1
15	C11568	Hex Bolt, .31 - 18 X 2.5 in.	4
16	D11526	Frame, Motor, Black	1
17	D11563	Axle, Handle	1
18	K00674	Bushing, .50 in, Nylon	4
19	C00261	Nut, .25-20, Hex	6
20	D11542	Tension Adjustment Bracket	2
21	C00233	Washer, Flat, .25 in	2
22	C00319	Hex Tap Bolt, 1-4 X 20 X 3.5 in	2
23	D11544	Handle Brace, Right	1
24	C00252	Washer, .375 in, Flat	6
25	C11569	Hex Tap Bolt, 3-8 X 1.25 in	4
26	K11561	Spacer, .25 lg, Nylon, Natural	14
27	C11559	Washer, .515 X .875 X .032	12
28	G11943	Wheel, 5 in	4
29	C02305	Cap Nut, .5 in, Push-on	4
30	C11558	Locknut, .375-16	2
31	D11562	Axle, Wheel	1
32	C11555	Key, Motor, .187 in	2
33	D11532	Pulley	1
34	C11567	Set Screw, .312 in	3
35	K00662-50	Spacer, .5 in	2
36	C00250	Lockwasher, .375, Split	5
37	C11571	Hex Tap Bolt, 3-8 X .75 in	3
38	D11535	Washer, 1.75 in, Steel	1
39	E11478-BLUE	Bumper, 20 in Floor Machine	1
40	F11988	Pad, High Speed, 20 in	1
41	2004BR	Pad Holder, 20 in, High Speed	1
42	C00262	Nut, .31-18, Hex	4
43	C00251	Lockwasher, .31, Split	4
44	D11565	Bearing Plate, Lower	1
45	D11486-SS	Brush Cover, 20 in, Stainless	1
46	K11521	Spacer, Base, Floor Machine	4
47	G11531	Bearing	2
48	D11547	Pulley, 3 7/8 in, w/ Grooves	1
49	L11530	Belt	1
50	C11556	Wave Washer	2
51	D11534	Shaft, 4.11 in	1
52	D11566	Bearing Plate, Upper	1
53	C11574	Retaining Ring	1
54	D11490C	Drip Cover, Chrome	1



SS-20-1500HS-TC - Handle

SS-1500-TC HANDLE

ITEM #	SS-1500-TC	DESCRIPTION	QTY
1	H05248-2	Label, Important, Card	1
2	B11900-BLUE	Power Cord, 12-3, 75 FT, SJTW, BLUE	1
3	K11498-BLUE	Grip, BLUE	2
4	C11528	Screw, 10-32 X .25 in	1
5	H12069	Label, 1500 RPM, Saturn	1
6	H11908	Label, TRUSTED CLEAN	1
7	D11496C	Switch Box Cover, Black	1
8	H11493	Label, Safety, Floor Machine	1
9	C11529	Screw, 10-32 X .375 in	2
10	K11519	Lever Grip, Lockout, Black	1
11	C00278	Locknut, 10-32, Nylon, SS	1
12	D11494	Lockout Bracket	1
13	D11524	Spring, Lockout	1
14	C90007	Screw, 10-32 X .625 Phillips, Truss Head, SS	1
15	C11491	Screw, 10-32 X 1 in, SS	1
16	C00306	Roll Pin, .125 X 1.75	2
17	D11523	Spring, Trigger	2
18	D11479	Handle, Chrome, Floormachine	1
19	D11495	Trigger, Zinc Plated	1
20	K11520	Lever Grip, Trigger, Black	2
21	11507A	Assembled Locking Handle, Cord Hook	1
22	C11619	Allen Wrench, .31 in	1
23	D11497	Handle, Locking Clamp	1
24	C11538	Cap Nut, .31 in, Push-on	1
25	C00259	Washer, Slotted, Zinc	1
26	C11536	Spade Bolt, .375-16 X 4 in	1
27	D11507	Cord Hook Clamp	1
28	D11507-2	Cord Hook Body	1
29	C11558	Locknut, Black Oxide, Thin	2
30	C11502	Socket Cap Screw, .375-16 X 2.5 in	1
31	C11537	Dowel Pin, .31 X 1.5 in	1
32	B10734	Strain Relief, Handle	1
33	B11513	Cord, Handle, 14-3 SJTW	1
34	B11762	Terminal Lug, Nylon, Female	2
35	B11465	Swtich, DPST, Pushbutton	1
36	B00177	Terminal Lug, Female, QD, .25 X .032	2
37	C00252	Washer, .375 in, Flat	1
38	C11541	Washer, .375 in, Star	1
39	B11518	Switch Insulation	1
40	C00284	Screw, 10-32 X .375 Ground	1
41	B00187	Cable Clamp, Nylon, .43 in	1
42	B00180-10-3	Ring Terminal, #10 Center	2
43	B11505	Strain Relief Nut, Metal	1
44	C11560	Washer, .93 ID X 1.5 OD	1
45	B11504	Strain Relief, Metal	1



1-888-722-5508

Last Update: 05-22-12