

Trusted Clean

5 GALLON Owner's Manual & Parts List

This equipment is intended for commercial use only



TRUSTED CLEAN MODELS

TPL-5-100-UD-TCP ♦ TPL-5-100-UD-HEAT-TCP

1-888-722-5508

BEFORE OPERATING THIS MACHINE

Read this manual carefully and completely before attempting to operate this unit. This manual has important information for the use and safe operation of the machine. Keep this manual handy at all times. This machine will assure years of satisfactory service if operated and maintained according to recommendations in this manual. If additional information is needed, please contact Cleanfreak at 1-888-722-5508 or write to:

CleanFreak
P.O. Box 569
Wausau, WI 54402

WARNING!

- The machine was designed for use on carpet, floor and upholstery extraction applications as per instructions and recommendations written in this manual. Any deviation from its proper use or purpose and the consequential damage that may occur is the sole responsibility of the end user.
- Disconnect the power cord from the outlet before servicing. Do not leave the machine connected to an electrical outlet when unattended.
- Do not immerse or use this machine in standing water. Such use may cause electric shock.
- This equipment is not designed to handle or use combustible/volatile substances such as gasoline or kerosene, in, on, or near the machine. The use of such materials will cause an extremely hazardous condition.
- When using an extension cord, use only a 3-prong conductor grounding cord- 12 gauge wire or heavier.
- To avoid electric shock, do not expose the machine to rain. Store it indoors only.
- Do not use the machine for dry vacuuming, as it is not equipped with a fine dust filter.
- Use a defoamer at all times to prevent damage to the vacuum motors. If defoamer is not used, or not used sufficiently, foam from your chemical or chemical left in the carpet from a previous cleaning may be ingested into and damage your vacuum motors. Failure to use a defoamer may cause water damage to the vacuum system and void warranty.
- Do not use water in excess of 135°F (57°C) in the solution tank as it may damage the solution system.
- To prevent seal damage and chemical build-up to the pump system, run clean water through the solution lines after each day's use.
- Use only commercially available carpet cleaning solutions and defoamer intended for use with machines of this type. Do not use dyes, bleaches, ammonia, or other additives. The use of powdered cleaning solution if not diluted properly may result in damage to the pump. If powdered chemicals are used, premix in a separate container according to directions on the container before placing in the solution tank. Monitor and clean intake filters to prevent clogs. Replace damaged filters immediately to prevent damage to pump.
- Do not expose the machine to freezing temperatures, or store inside a room or vehicle where the temperature might drop to freezing temperatures.
- For troubleshooting or technical issues, please contact Cleanfreak.
- Do not use replacement parts other than those specified on the parts list or recommended by a Cleanfreak representative.

FOR UNITS EQUIPPED WITH EXTERNAL HEATER

- Read and understand the External Heater owner's manual before using the External heater on your Trusted Clean extractor.
- Do not run heater dry! Turn on your pump and run solution completely through the system prior to turning on the heater. Be advised that water in the tank does not ensure that water is in the heater. Turn off your heater immediately if you run out of water in the machine, and do not activate again until water has once again been run through system.
- Water hookups must be in place and water flowing through the heater prior to turning it on. Failure to do so may cause internal component damage and will void warranty.
- Heater must be filled with water or water based solutions at all times when in use. Turn off the switch and unplug the heater from outlet when not in use.
- Do not use heater at more than 500 psi.
- Do not immerse heater in water.
- To avoid explosion and / or fire, do not use solvents or any flammable liquid in heater.

FAILURE TO COMPLY WITH ABOVE WARNING INSTRUCTIONS WILL VOID THE WARRANTY

Grounding Instructions

The 120V A/C and the 220V A/C models have been outfitted with the appropriate grounding connector. Make sure the machine is connected to a grounded outlet having the same configuration as the grounded plug. No adaptor should be used with this machine. **Any modification to the connector will void the warranty.**

PREPARING THE MACHINE

IMPORTANT: For all Trusted Clean equipment, use only the correct Trusted Clean high pressure, high heat wands & upholstery tools. They are designed to deliver and maintain the correct gallons per minute (GPM), pressure (PSI) and heat when attached to the machine's pump system. Use of other manufacturer's wands can cause over-wetting of carpet, damage to the pump system (including hose & fittings), lack of pressure and heat.

1. Pour properly mixed cleaning solution or water into the solution tank using a new or clean bucket. Add defoamer per chemical manufacturer's instructions on label. For more information, see warning section in this manual.
2. Slide vacuum hose cuff onto the black hose adapter (located at the top left of the rear of the machine) and then slide the cuff from the other end of the vacuum hose onto the tool being used.
3. Connect the male end of the solution hose to the wand. Connect the female end to the machine by pulling back the knurled collar on the female quick disconnect fitting and pushing it onto the male fitting located on the bottom of the rear of the machine, then release the knurled collar to lock the male into place. You should hear it click fully into place.
4. Make sure the drain valve is closed by pushing the T-handle all the way in. Failure to close a drain valve will result in leaking of dirty water or loss in suction. Keep the drain valve clean as debris may prevent a proper seal.
5. Upon the first use of the machine or if the machine has been drained completely of water by either spraying or evaporation from lack of use, you may need to prime the pump to purge the air out of the system in order to get the proper pressure. To do so, see the "Priming the Pump" section of this manual.
6. If a Power wand is to be used with the machine, connect the male electrical plug coming from the Power wand to the optional power receptacle on the machine. If your machine is not factory equipped with a power receptacle a Power wand may still be used by plugging the Power wand's electrical cord directly into a 3-prong wall outlet using the provided adaptor cord.

ADDITIONAL INSTRUCTIONS FOR UNITS WITH OPTIONAL EXTERNAL HEATER INSTALLED:

1. Be sure to fill the solution tank with water before plugging in the machine.
2. Water hookups must be in place and water flowing through the heater prior to turning heater on. Failure to do so may cause internal component damage and will void the warranty. For more information see Warnings section.
3. Spray water through the tool / wand before turning on the heater to assure that there is water flow.
4. Heater must be filled with water or water based solutions at all times when in use.
5. For units with a 2000W External Heater, plug the heater power cord and machine power cord into separate outlets on separate circuits.
6. Turn off the switch and unplug the heater from outlet when not in use.
7. Do not use heater at more than 500 PSI.
8. Turn on heater switch when you are ready to clean.

CAUTION: When the green light on the heater is on, the heat element is heating the water up to the proper temperature. When the green light is off, the water in the heater tank is up to temperature and the thermostat switch in the heater has turned the heater off. It will automatically turn on and off throughout your job to provide the correct temperature.

OPERATING INSTRUCTIONS – CARPET TOOL

1. Turn on the vacuum and solution switches one at a time to prevent an amp surge. Making sure that the wand is evenly positioned on the carpet, slowly pull it towards you with the solution valve trigger engaged. Then release the trigger while making a forward pass along the same area. This pass is called a dry pass because it is done with the trigger disengaged thus using only the vacuum (no spray). Now position your wand head for your next pass and repeat. Do not over-wet carpet. Make overlapping passes to prevent streaking.
2. On heavily soiled carpets, we recommend using a pre-spray solution. You can find the proper chemical for the proper type of stain and soil by consulting Cleanfreak.
3. When you run out of solution, turn off the machine completely (including the heater if applicable). Attach the drain elbow on the drain valve. Place a pail under the downspout and pull up the drain valve T-handle. Dirty solution will pour out until the tank is empty. Close the drain valve. Use a clean bucket when you refill the solution tank. Do not use the bucket that was used for draining to fill the solution tank.
4. When the job is completed, turn the switches off and disconnect the vacuum and solution hoses from the carpet and the machine. Be careful of dripping at the time of disconnection as solution may still be in the lines. Drain the recovery tank by following the drain valve instructions.

CLEANING UPHOLSTERY

Cleaning upholstery with success requires a good knowledge of the type of fabric you will work on. Look for the cleaning instructions label sewn on the underside of the furniture for the recommended method of cleaning. If it calls for dry-cleaning, do not attempt to clean by wet extraction otherwise damage to the fabric could occur. Extraction works perfectly on most synthetic fabrics including synthetic velvets. Always consult your distributor for information on how to find the proper type of chemical and method for the type of fabric you are cleaning.

Before proceeding, test the fabric for colorfastness. Apply a small amount of cleaning solution on the fabric in an inconspicuous spot. Wait 2 to 3 minutes and rub the area with a white terry cloth towel. If no color comes off the towel, the fabric should be safe to clean. If a little color comes off, there is some risk of colors running when you clean. It may be possible to stabilize colors by cleaning with an acidic rinse.

1. Prepare the machine in the same manner as for carpet cleaning (see Preparing the Machine) except attach the upholstery tool to the vacuum and solution hose instead of the wand. Pour hot water into the solution tank, not exceeding 135°F. Add recommended amount of cleaning concentrate into the solution tank. Turn on the vacuum and pump switches.
2. Clean with the upholstery tool using as little solution as possible. Make overlapping passes to prevent streaking. Go over the area you just cleaned without depressing the lever (vacuum only) and gauge the amount of moisture extracted through the view window for dryness. On heavily soiled areas like arm rests, pre-treat with a recommended pre-spray solution.

PRIMING THE PUMP

1. Locate your priming hose included with your machine. Your priming hose can be found in the solution tank of your machine when you receive it.
2. Make sure that your solution tank has a good amount of water, as this will help the pump prime more easily.
3. Locate the brass male fitting on the rear side of the machine. Connect the female end of your priming hose to the male fitting on your extractor.
4. Insert the other end of the priming hose into the vacuum port. You may need to hold this end of the hose in place.
5. Turn on your pump. Turn on your vacuum.
6. Let the machine run until you can see the water flowing consistently through the priming hose with no air bubbles. This should only take 5-25 seconds.
7. Turn off the pump and vacuum.
8. Your pump is now primed and ready to start cleaning at full pressure.

DAILY MAINTENANCE

1. Always keep the machine clean inside and out.
2. Pour 1 gallon of clean, hot water into the solution tank. Turn on and flush the entire system through the wand nozzles for about a minute to prevent mineral or chemical build-up. A periodic use of a 1:3 white vinegar and water solution helps to break down build up, as well.
3. Remove dirt and lint build-up inside the ball float filter screen in the recovery tank. Lint should be cleaned off so that air flow is not impeded.
4. Check the solution tank strainer in the solution tank. If lint has accumulated in the screen, remove and rinse it in clear running water or soak it in a 1:3 white vinegar and water solution. Replace as necessary.
5. Empty recovery tank and open recovery lid and run your vacuums for 3-5 minutes after every job to remove any excess moisture from the vacuum motors. This is especially important if you have over filled the machine or did not use enough defoamer.

PERIODIC MAINTENANCE

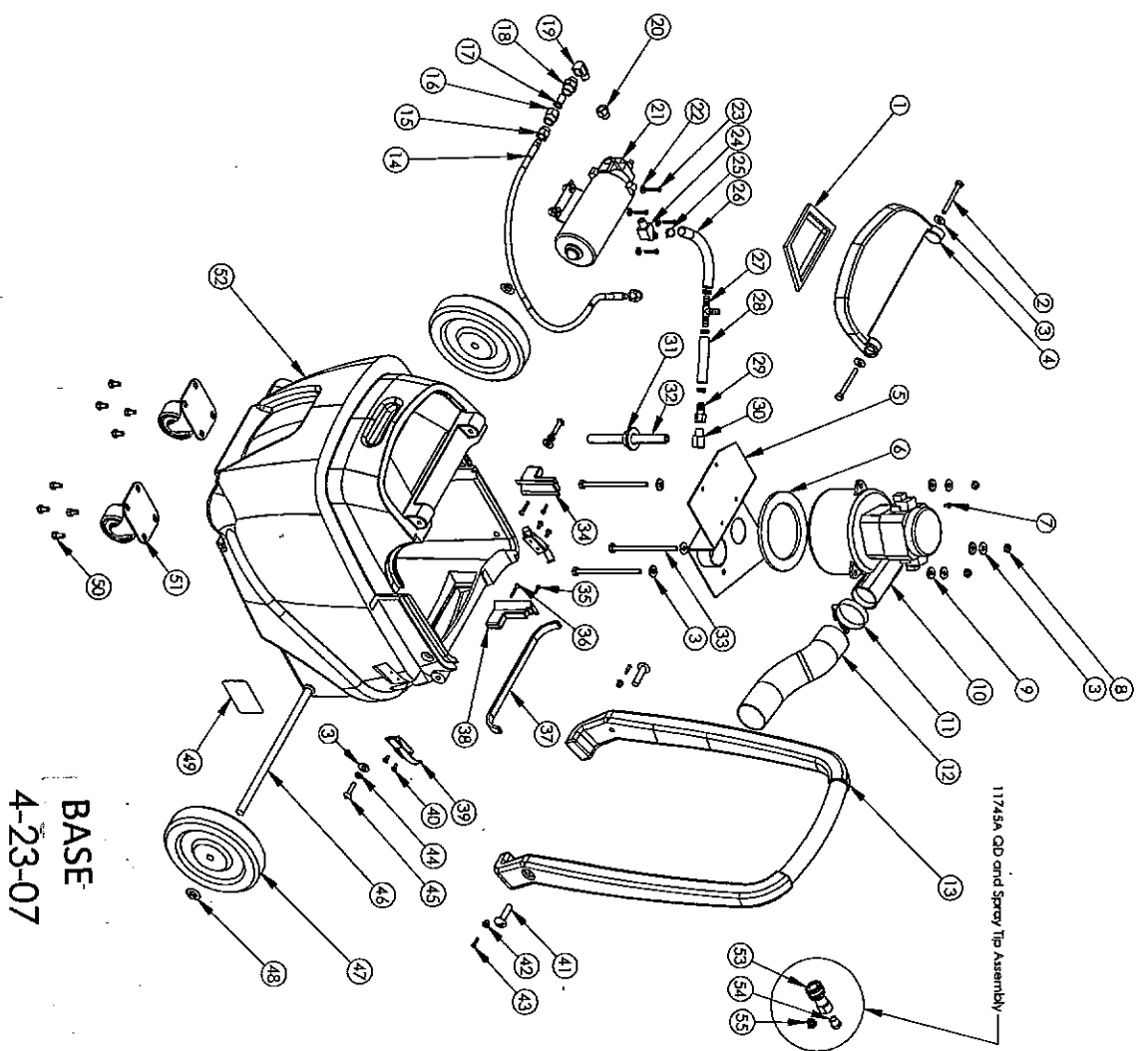
All Trusted Clean machines are engineered and built to require a minimum amount of maintenance. But like any machine it does require some care to keep it in optimum working condition. Careful attention to these maintenance instructions will give you maximum operating performance and will increase the life expectancy of your machine.

- **Solution Lines & Fitting:** Flush the machine at least once a month with a solution of 3 parts water with 1 part white vinegar in order to neutralize the alkaline residue left by the cleaning solution.
- **Quick Connect Coupler:** Spray with WD-40 or equivalent lubricant to prevent coupler from sticking.
- **Drain Valve:** Apply light oil on gate seals. If machine has to be stored for a prolonged period, leave the gate valve open.
- **Solution Pump:** The same above procedure used on the solution line and fittings applies to the pump.

TROUBLE SHOOTING

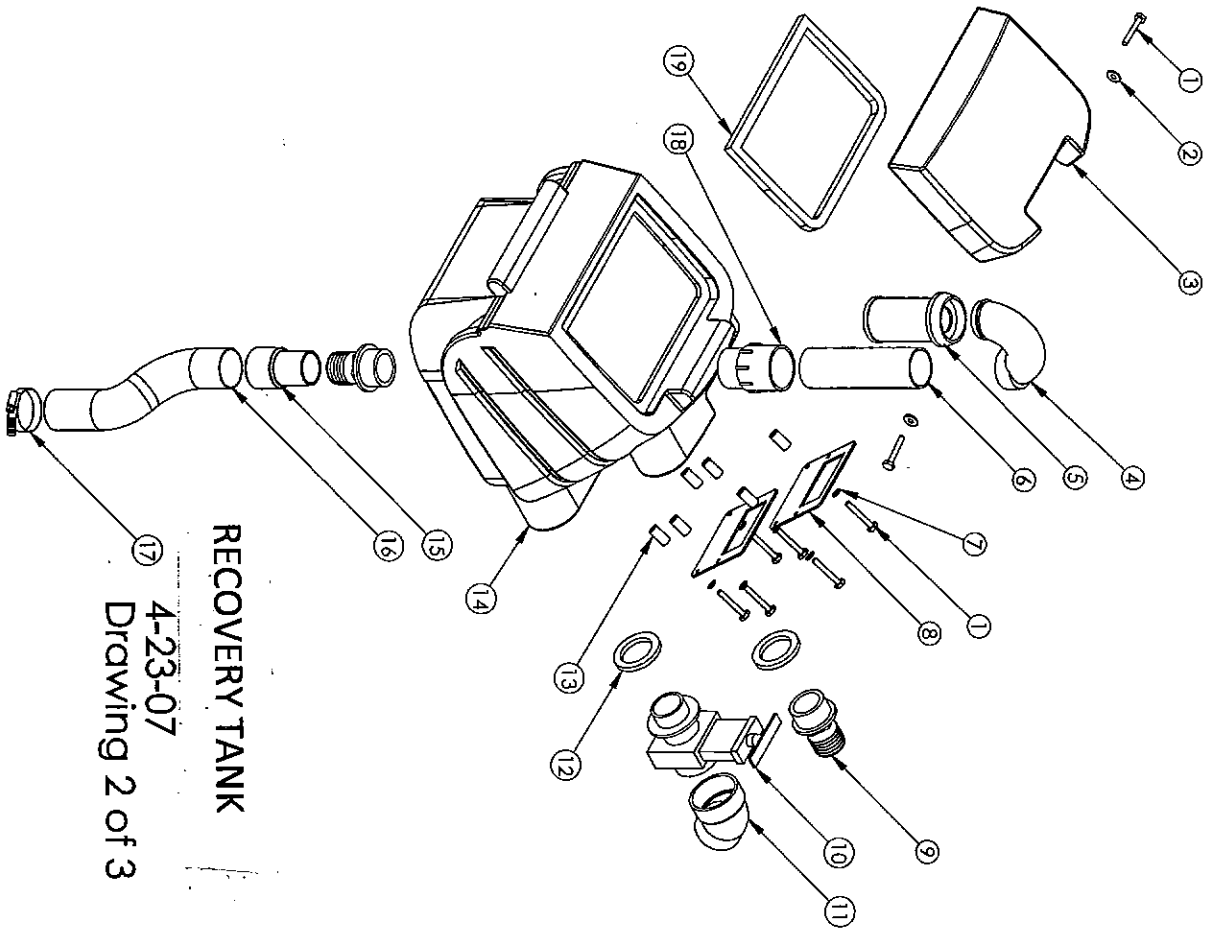
<i>PROBLEM</i>	<i>PROBLEM CAUSE</i>
<i>ELECTRICAL SYSTEM</i>	
No electrical power	<ol style="list-style-type: none"> 1. Defective power cord 2. House or building circuit breaker tripped.
Switch is turned on. Power is intermittent to all motor(s)	<ol style="list-style-type: none"> 1. Faulty electrical cable. 2. Defective switches. 3. Loose terminal or discolored terminal connections.
<i>VACUUM SYSTEM</i>	
No vacuum	<ol style="list-style-type: none"> 1. Drain valve is open or not sealed properly. 2. Vacuum lid is open or not sealed against tank. 3. Loose vacuum hose, vacuum connection. 4. Disconnected or loose wire inside machine.
Low vacuum	<ol style="list-style-type: none"> 1. Accumulated dirt on lid screen. 2. Worn out vacuum lid gasket. 3. Lint & dirt build-up on wand head. 4. Defective vacuum hose. 5. Loose connection in the vacuum motor(s).
<i>SOLUTION SYSTEM</i>	
Pump motor on, no spray through spray tips	<ol style="list-style-type: none"> 1. Clogged spray tips. 2. Clogged solution intake filter screen. 3. Plugged female quick disconnect coupler or couplers not fully engaged. 4. Punctured pump diaphragm. 5. Defective or clogged check valve. 6. Crack in pump housing. 7. Lost prime.
Uneven or weak spray from tips	<ol style="list-style-type: none"> 1. Clogged or dirty spray tips. 2. Accumulated dirt on solution intake filter screen. 3. Accumulation of debris inside pump and plumbing. 4. Worn pump bearing (excessive noise). 5. Punctured pump diaphragm. 6. Defective motor. 7. Worn nozzles.
Vacuum motor(s) working, pump motor fails to turn on	<ol style="list-style-type: none"> 1. Loose wiring connection. 2. Defective pressure switch in the pump. 3. Defective pump motor.

5-100-UD-TC / 5-100-UD-HEAT-TC
4-23-07



BASE
4-23-07

ITEM NO.	PART NUMBER	DESCRIPTION	QTY.
1	F90008 Filter with Frame		1
2	C02971 Screw 1.4-20X.25		2
3	C00333 Washer 1.4 In Ptd./O		10
4	F11971 Solution Lid		1
5	D11975 Gasket, Motor, 5 Gal		1
6	E11199 Gasket, Vae Motor		1
7	C00284 Screw 10-32 X .375 Ground		1
8	C00273 Locknut 1.4 20 Nylon		3
9	E00449 Grommet		1
10	025224A Vacuum Assy. with Motor, 135 In, 115 V, 500BX-EH		1
11	J0659 Screw Clamp, 1.43 - 2.43 In.		1
12	J0618 Vacuum Hose 2In Grey, Vite 8 in		1
13	F11979 Handle		1
14	11874-2A .125 In High Pressure Hose Assembly, 2 Long		1
15	A00168-18 Bushing .25 M X 1.25 F		1
16	A00097A Cap, In Line Filter		1
17	A00097AE Check Valve, No Strainer		1
18	A00052C Check Valve Body		1
19	A00052 25 X .375 M-F 90deg Brass		1
20	A00168 Bushing 5-8MXX1.4F		1
21	00513-100-1A Pump Assy. with Motor, 100 PSL, 600BX-EH		1
22	C11955 Washer - filed #10		4
23	C11954 Screw 10-32X1In Phillips		4
24	A12023 3-8 Bolt X 3-8 NP 45 Deg		1
25	J11508 Screw Clamp, #6, .43In - .875In		4
26	J11154 Sol. Hose, .375 X 8 In, 100 psi, Wire		1
27	A11243 Tee, Bnd, 3-8 Plastic		1
28	J11154 Sol. Hose, .375 X 4 In, 100 psi, Wire		1
29	A11947 3-8 Bolt X 3-8 PP		1
30	A11949 3-8 M-F 90deg Brass		1
31	E11951 Grommet, Sealing, Rubber		1
32	C11952 Nipple, .375 X 7In NP		1
33	C11953 Bolt Hex 25-20 X5.5In		3
34	F12M43 Right Steel		1
35	C00095 #8 X .5In Pan Black		2
36	C11165 Screw #8 X 1 In, Pan, Black		2
37	E11129 Gasket - Bone, 12 In		1
38	E12944 Left Seal		1
39	D11872 Latch		2
40	C11529 Screw 10-32 X .375		4
41	C12013 Screw 3-8 1.5X1.5SS		2
42	D12121 Latch Burton, Black		2
43	C11079 Screw 6-32 X .625 Pan Head Phillips, SS, Machine Screw		2
44	G00264 Lock Washer, 1.4In		2
45	C02294 Screw 1.4-20 X 1.25 SS		2
46	D00418-1 Axle, Wheel, 5 Gal Galvaly		1
47	G11765 Wheel, Zn, 5In Bore		2
48	G02305 Cap Nut, .5In Push-on		2
49	H02564-2 Label, Caution, Motor Housing		1
50	G00313-1 Hex Bolt, 1.4 X 20 X .5 SS		6
51	G000531 Carter, 5In Swivel		2
52	F11946 Solution Tank		1
53	A00102 QD, 1.4F X 1.4FF		1
54	A00168-18 Bushing 1.4 M X 1.8 F Brass		1
55	A00089 Spray Tip, 1.002 X 1.25 In NP		1

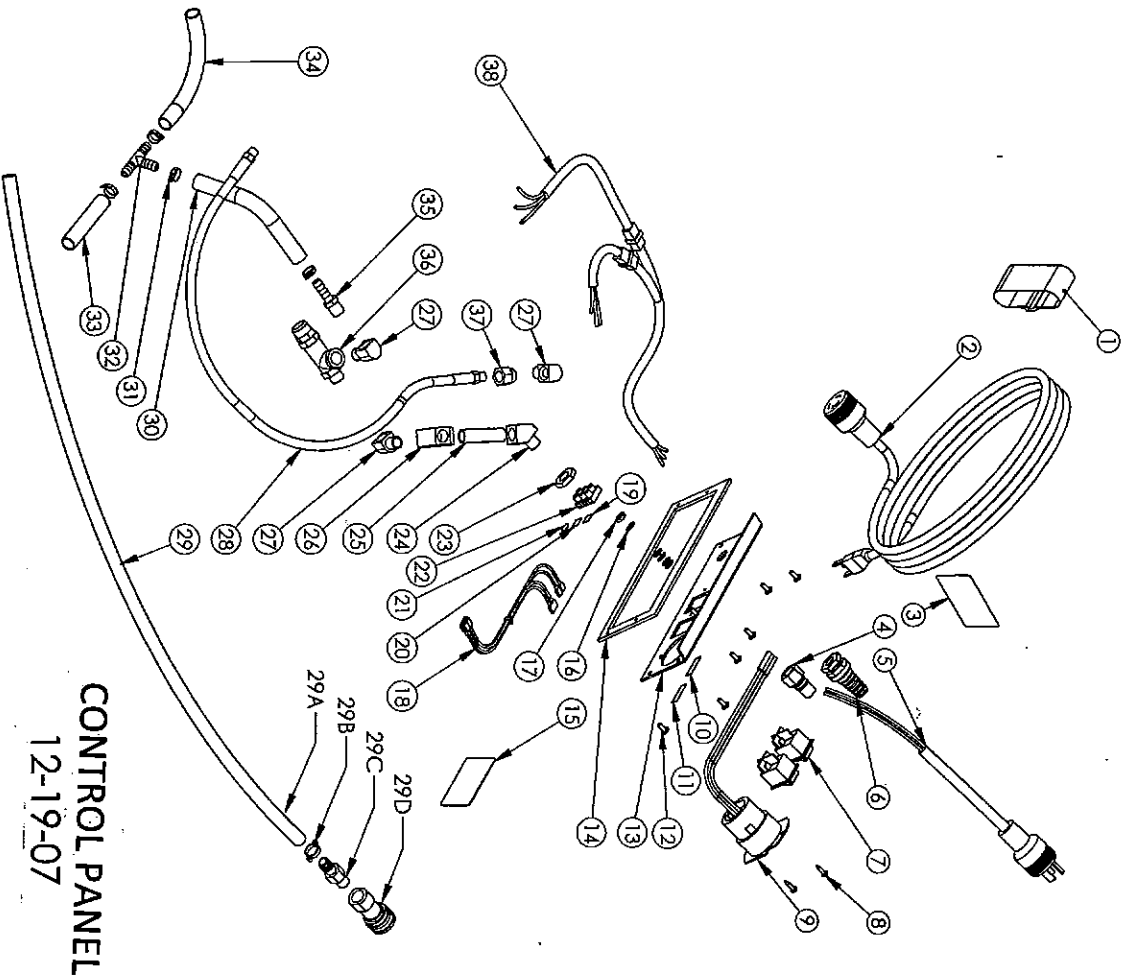


5-100-UD-TC / 5-100-UD-HEAT-TC
 4-23-07
 Drawing 2 of 3

ITEM NO.	PART NUMBER	DESCRIPTION	QTY.
1	C02322 1-4 X 20 Bolt		8
2	C12095 Washer		2
3	F11970 Recovery Lid		1
4	K11965 Elbow, 180 Deg. Float Ball		1
5	I0989-2A Float Ball Screen		1
6	K00672 PVC Pipe, 1.5 X 6.66, Sch 40 Wht		1
7	C02312 Lockwasher, .25 In., Internal Star		6
8	D010379 Heater Mounting Plate		2
9	K00645-1 Hose Adapter, 1.5in, Black		2
10	K00711 Drain Valve, Black		1
11	K00710 Elbow, Drain Valve, Black		1
12	E11128 Gasket, 2.5in OD X .19in		2
13	C11440 Spacer, Heater Mounting Plate		6
14	F11967 Recovery Tank		1
15	J00633 Cuff, 1.5in, Wire, Grey		1
16	J00618-1 Vacuum Hose, 1.5in X 10in Wire, Grey		1
17	J00650 Screw Clamp, #24, 1.25in		1
18	K11961 Adaptor, PVC 1.5in		1
19	E11962 Gasket - Recovery Tank Lid		1

5-100-UD-TC / 5-100-UD-HEAT-TC

12-19-07
 Dwg 3 of 3



CONTROL PANEL
 12-19-07

ITEM NO.	PART NUMBER	DESCRIPTION	QTY.
1	C11177	Velcro Strapp, Black	1
2	B11979	Extension Cord, Black	1
3	H02548-2	Label, Important, Cord	1
4	A00104	GD, .25 M X .25 FP, Brass	1
5	B11779	Stub, 12.3 S.I.T.W, Yellow	1
6	B11806	Strain Relief, Pigtail	1
7	B02211-1	Switch, Rocker, Green Light	2
8	C00293	#8 X .5in Pan, Black SMS, Phillips	2
9	B11304	Twist Lock Receptacle	1
10	H02576	Label - Vacuum	1
11	H02574	Label - Pump	1
12	C11529	Screw, 10-32 X .375	6
13	D11974	Switch Plate w- Outlet, 5 Gd	1
14	E12060	Gasket, Switch Plate, 5 Gd	1
15	H00565-5	Label, Serial Number	1
16	C02315	Star Washer, Ground Sw Pl	5
17	C00264	Nut, Ground, Sw Pl	1
18	B11956	Harness Switch, Galaxy 5	1
19	H11914	Label, Switch Plate, Neutral	1
20	H11913	Label, Switch Plate Load	1
21	H10911	Label, Switch Plate Ground	1
22	B02190	Terminal Block, 3 Pole	1
23	A00124	Hex Nut, .25 NPT Brass	1
24	A00053	45 Elbow, .25 MP X .25 FP	1
25	A00160	Nipple, .25 X 2 In, Brass	1
26	A00161	Tee, .25 FP, Brass	1
27	A00052	.25 X .375 M-F 90 deg Brass	3
28	11876-2A	.125 In. High Pressure Hose Assembly, 2' Long	1
29	B0595	Pump Drain - Bleed Hose Assy	1
29A	J00595	Hose, 36 in	1
29B	J00637	Oetiker Clamp, .63 in	1
29C	A00060	3-8 Barb X 1-4MP, Brass	1
29D	A00102	GD, .25F X .25FP, Brass	1
30	J00613B	Hose, .375 X 8 In, 300 psi, Black	1
31	J11508	Screw Clamp #.5, .43 to .875 In	4
32	A11243	Tee, Barb, .375 Plastic	1
33	J11154	Sol. Hose, .375 X 4 In, 100 psi, Wire	1
34	J11154	Sol. Hose, .375 X 8 In, 100 psi, Wire	1
35	A00060	.25 Mide X .375 Barb, Brass	1
36	G11314	Pressure Regulator, Brass	1
37	A00168-18	Bushing, .25 M X .125 F	1
38	B12015	Harness, Main, Galaxy 5	1

NOTES

*Trusted
Clean*

REVISED 10-24-2012