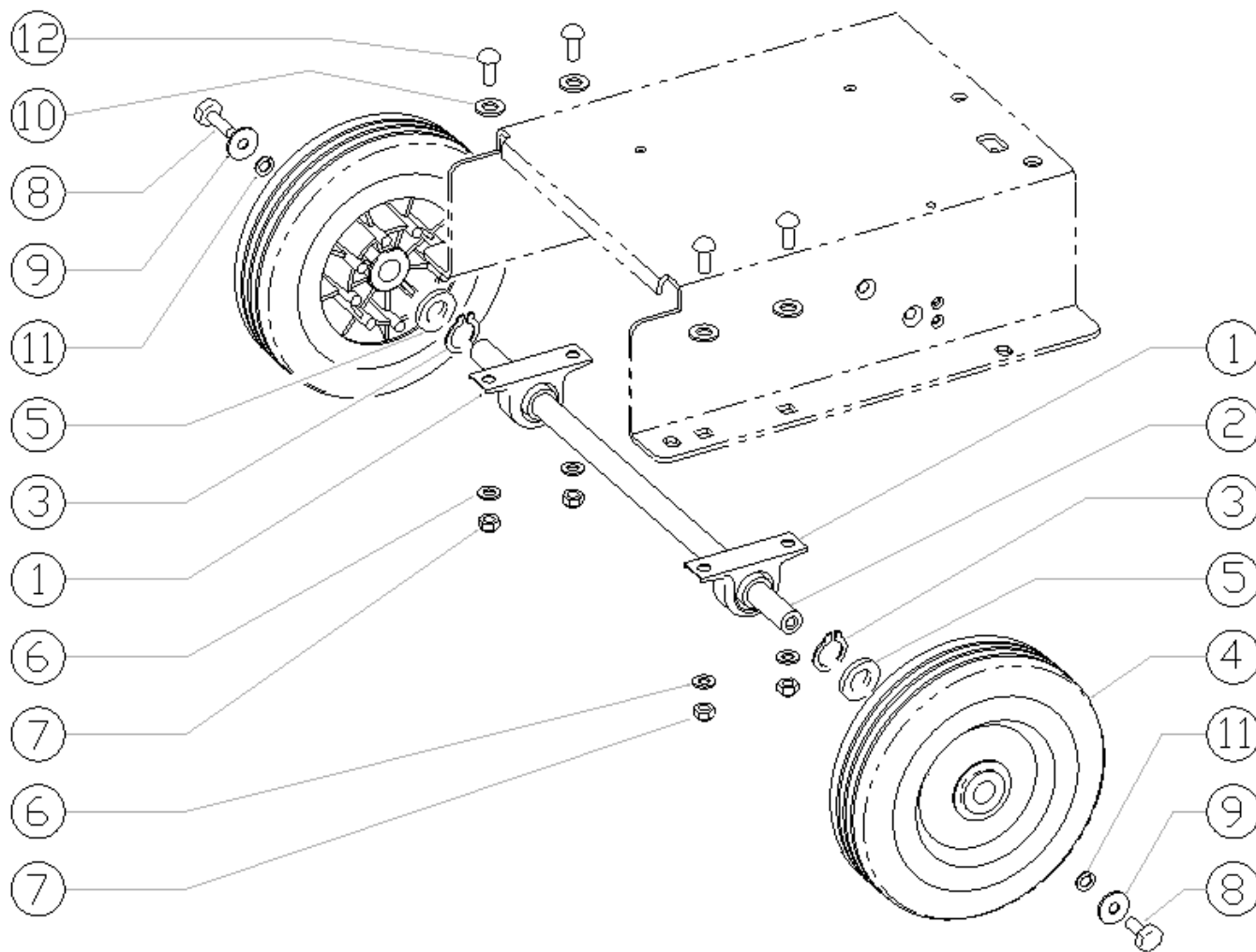
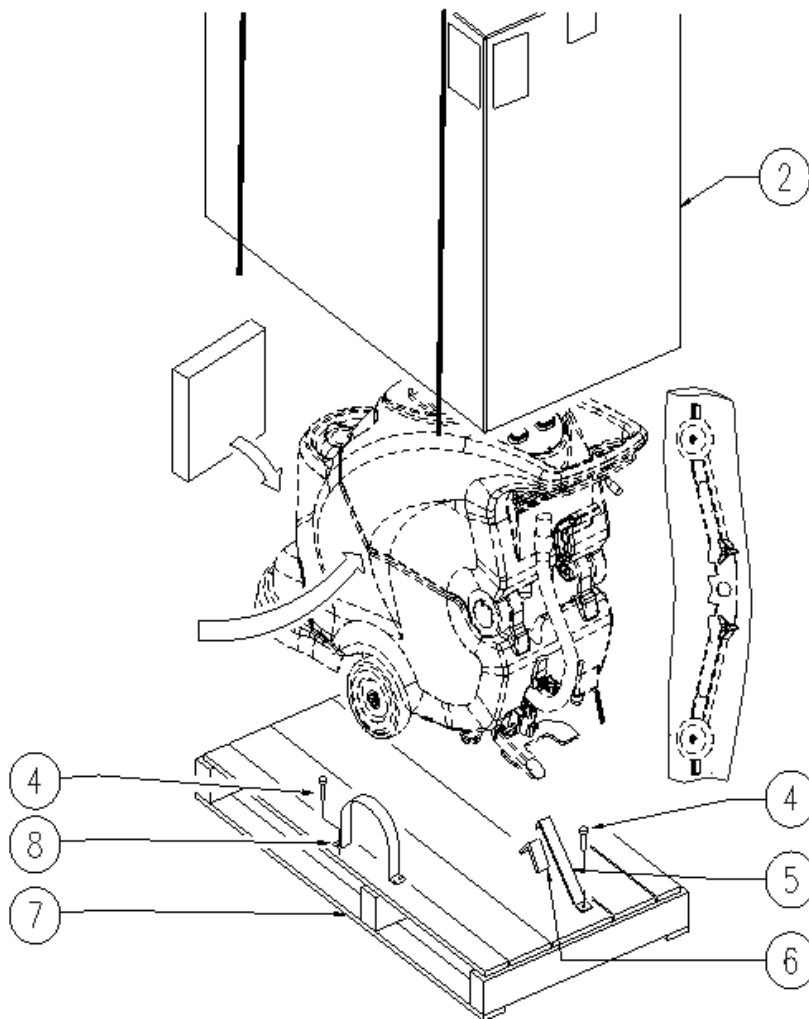


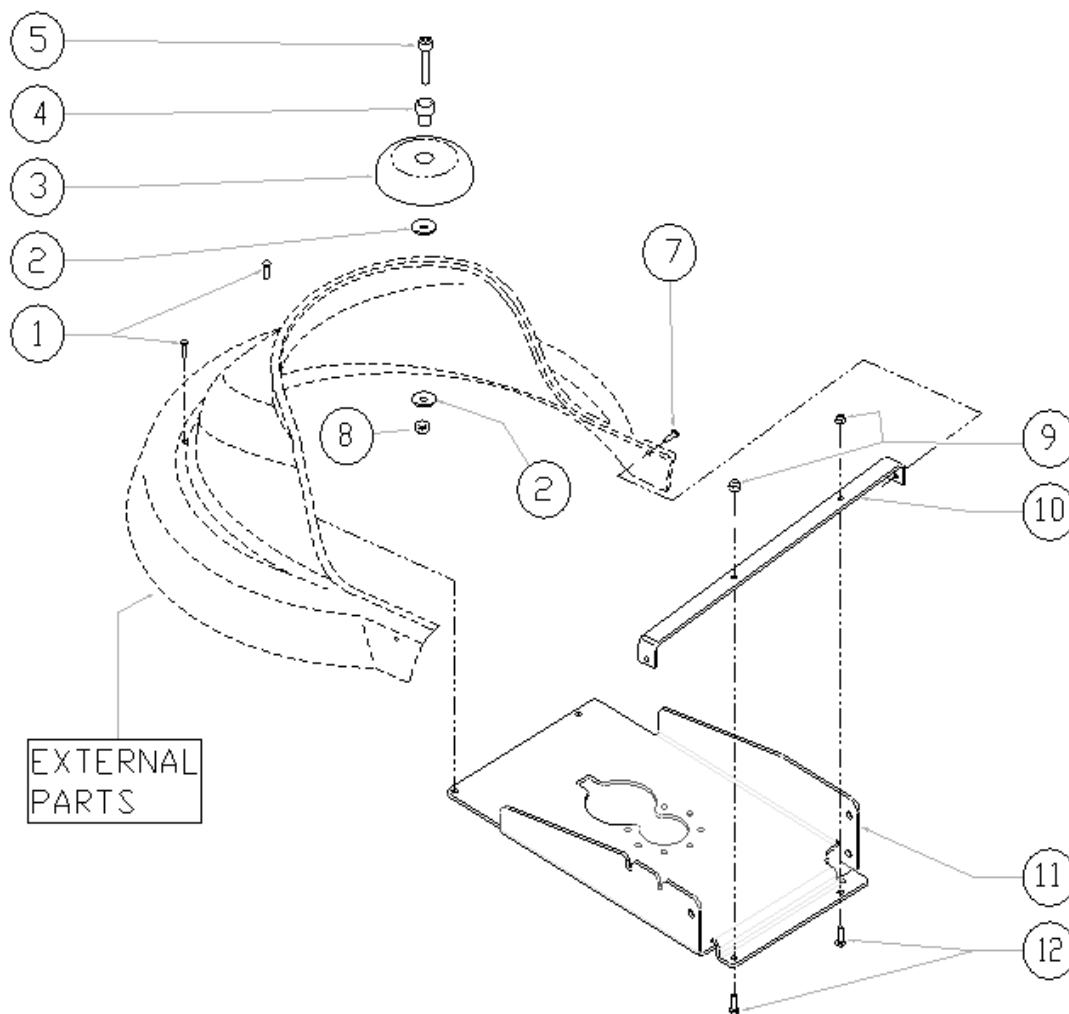
Ref.	K	Part N.	Customer Part N.	Description	Qty	Validity:		Price
						From	To	
0001		RTRT49413		WHEEL D. 60-D.15 X36 NYL.	2,00			--
0002		LAFN04041		SPACER D6/15	2,00			--
0004		VTDD01694		NUT M 6 INX	8,00			--
0005		LAFN05559		SUPPORT RUOTINO	2,00			--
0006		VTRS13947		WASHER D. 8 INX UNI 6592	4,00			--
0007		VTDD01695		NUT M 8 INX	2,00			--
0008		VTVT15142		SCREW TE M 6x45 INOX	2,00			--
0009		VTRS00245		WASHER D.6 UNI 6592 INOX	2,00			--
0010		VTVT15515		SCREW TE M 6X 50 INOX A2	4,00			--
0011		MLML49422		SPRING D.15X 45 X1	2,00			--
0012		LAFN51069		BRACKET SUPP.RUOTINO SQUEEGEE	2,00			--
0013		VTAE45707	#8479.90.9498	CIRCLIP D. 6 UNI 7434 INOX	4,00			--
0014		KTRI02048		BODY SQUEEGEE PRESSOFUSO "S"	1,00			--
0015		LAFN51045		BRACKET S SQUEEGEE BLOCK LEFT	1,00			--
0016		MPVR05265		KNOB 8X25	2,00			--
0017		LAFN51044		LAMINATION BLOCCA LAMA ANTER.DX S	1,00			--
0018		MPVR45194		RUBBER BLADE LAV. 800 ANT.	1,00			--
0020		MPVR49229		BUSHING SHK	2,00			--
0021		MPVR05290		ROLLER PARACOLPI	2,00			--
0022		GUGO00164		GASKET	2,00			--
0023		LAFN04100		SPACER PER RUOTINO PARACOLPI	2,00			--
0024		VTVR00022		INSERT FILETTATO ESAGONALE M8	2,00			--
0025		VTVT17342		SCREW TE M 6X 60 UNI 5739 INX	2,00			--
0026		MPVR45195		RUBBER BLADE LAV. 800 PST.POL.	1,00			--
0027		LAFN49284		BLADE HOLDER POSTERIORE DX (S)	1,00			--
0028		LAFN49285		BLADE HOLDER POSTERIORE SX (S)	1,00			--
0029		VTVT01304		SCREW M 8X 40 TTQST UNI 5731	2,00			--



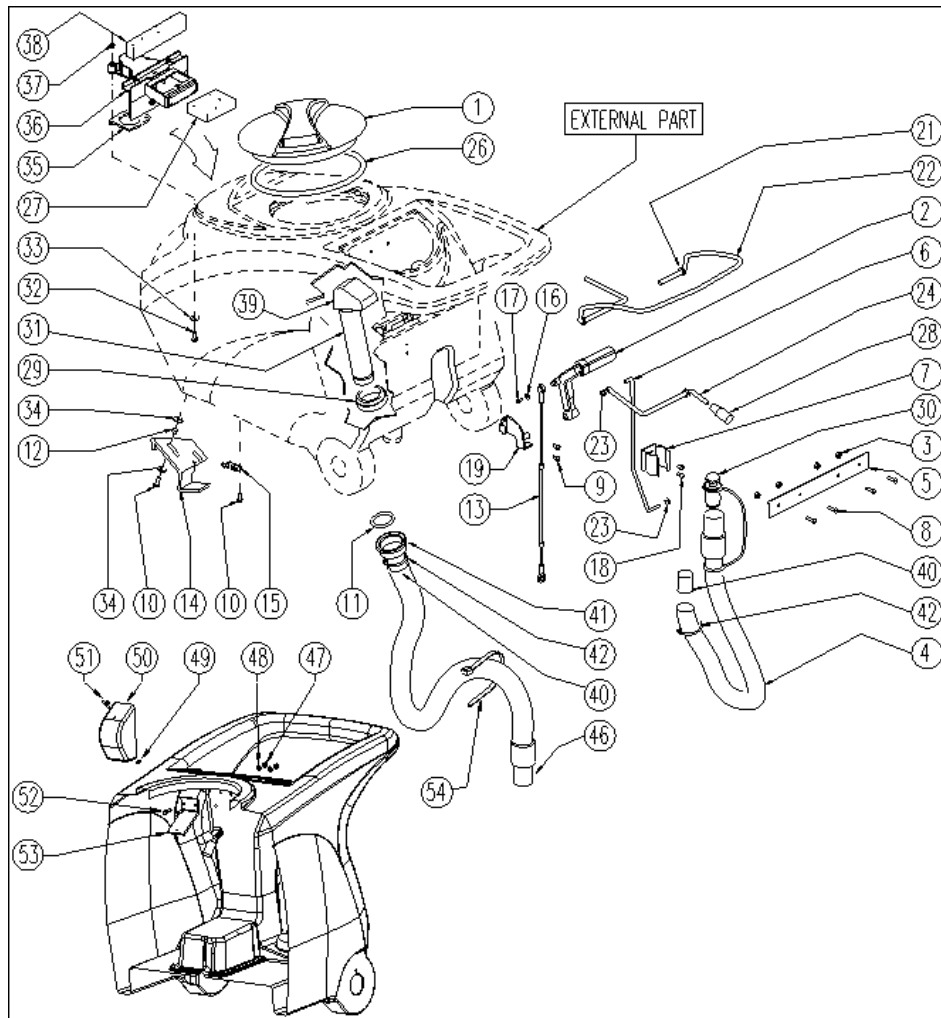
Ref.	K	Part N.	Customer Part N.	Description	Qty	Validity:		Price
						From	To	
0001		CUVR49833		BALL BEARING SBPP 203	2,00			--
0002		ALTR00088		AXLE -	1,00	05/2009		--
0002		LAFN35746		WHEELS AXLE LAV. E/B 450	1,00		05/2009	--
0003		VTAE00065		RING D17 UNI7435 INOX	2,00			--
0004		RTRT00366		WHEEL D200 X CLT 40	2,00			--
0005		VTRS21763		WASHER D.17	2,00			--
0006		VTRS13947		WASHER D. 8 INX UNI 6592	4,00			--
0007		VTDD01695		NUT M 8 INX	4,00			--
0008		VTVT15916		SCREW TE M 8X 16 UNI 5739 A2	2,00			--
0009		VTRS13946		WASHER D. 8 X24 INX UNI 6593	2,00			--
0010		VTRS15978		WASHER D.12X24 UNI 6592 INX	4,00			--
0011		VTRS15146		WASHER D. 8 INX GRW UNI 1751	2,00			--
0012		VTVT00842		SCREW	4,00			--



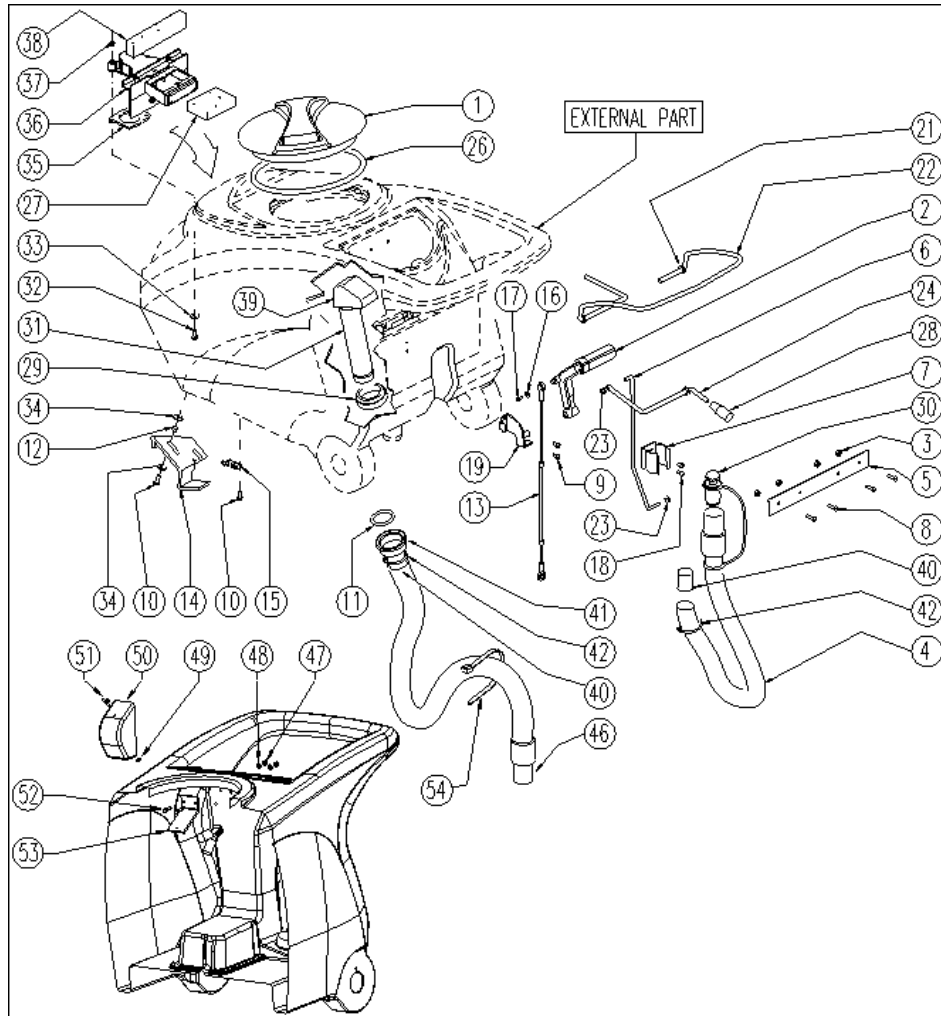
Ref.	K	Part N.	Customer Part N.	Description	Qty	Validity:		Price
						From	To	
0002		MICT00147		CARTON IMBALLO RULLI	1,00			--
0004		VTVT00043		SCREW AUTOF.LEGNO 4,5X25 TS BR	9,00			--
0005		MIVR00137		CLAMP RUOTA POSTERIORE X IMBAL.	1,00			--
0006		GUGO00009		MOUSSE	0,05			--
0007		MIBA00077		PALLET RULLI	1,00			--
0008		MIVR00135		CLAMP RUOTA POSTERIORE X IMBAL.	2,00			--



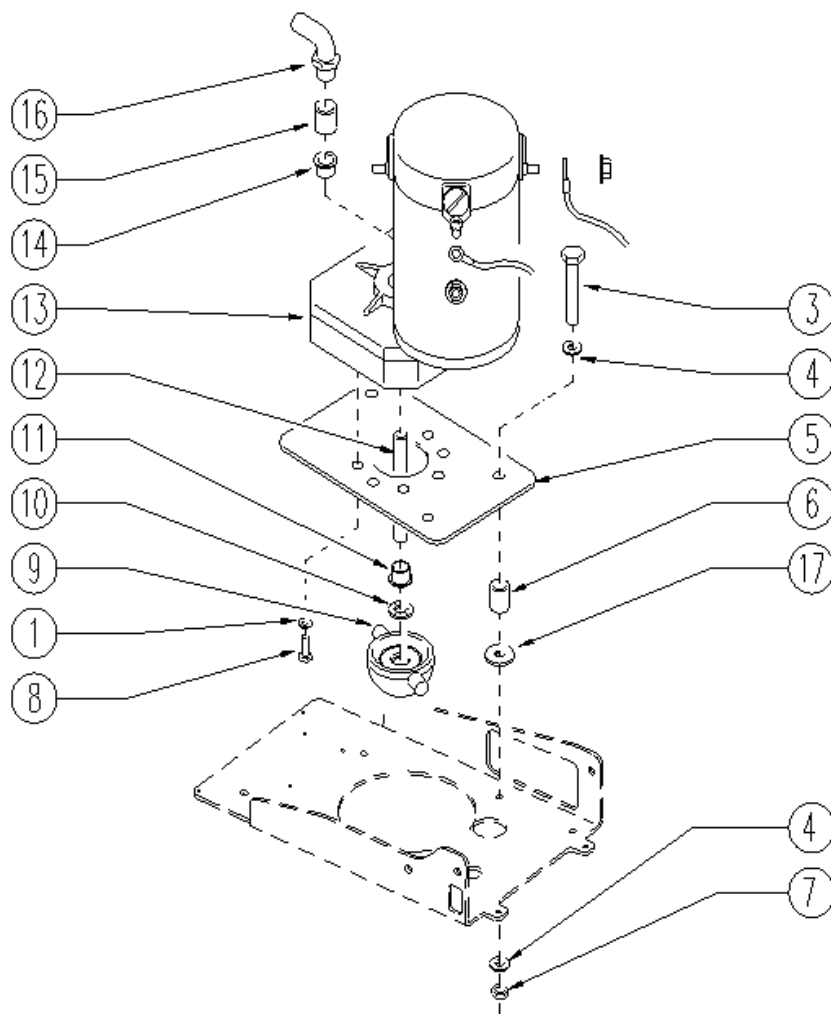
Ref.	K	Part N.	Customer Part N.	Description	Qty	Validity:		Price
						From	To	
0001		VTVT00659		SCREW TC+ M. 4-15	2,00		02/2010	--
0001		VTVT01366		SCREW M4X16	2,00	02/2010		--
0002		VTRS13946		WASHER D. 8 X24 INX UNI 6593	2,00			--
0003		MPVR05290		ROLLER PARACOLPI	1,00			--
0004		LAFN03915		BUSHING NUOVO RUOTINO STRONG	1,00			--
0005		VTVT00822		SCREW TCEI M 8-30	1,00	06/2009		--
0005		VTVT17349		SCREW TCEI M 8X30	1,00		06/2009	--
0007		VTVT01366		SCREW M4X16	2,00			--
0008		VTDD01695		NUT M 8 INX	1,00			--
0009		VTDD15518		NUT M 6 INX	2,00			--
0010		LAFN05899		SUPPORT BRACKET CARTER 1 EXTREME	1,00			--
0011		LAFN07373		PLATE RIDUTTORE	1,00			--
0012		VTVT15143		SCREW TE 6X16 UNI5739	2,00			--



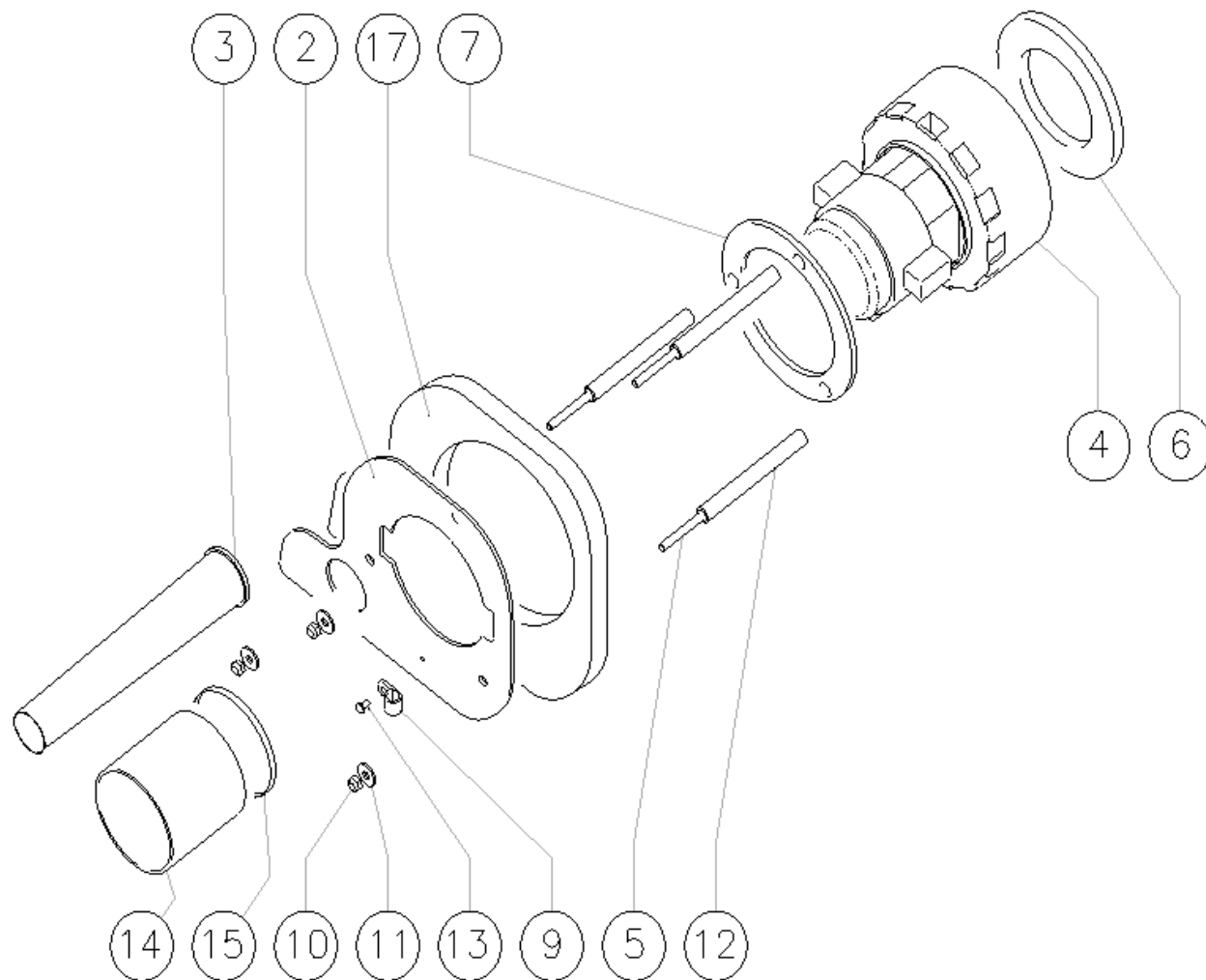
Ref. K	Part N.	Customer Part N.	Description	Qty	Validity:		Price
					From	To	
0001	MPVR04051		TANK CAP	1,00			--
0002	MPVR49942		LEVER SHK PP	1,00			--
0003	VTDD01694		NUT M 6 INX	4,00	04/2009		--
0004	TBBP00405		TUBE SCARICO	1,00		06/2010	--
0004	TBBP00456		TUBE CT40/70	1,00	06/2010	02/2011	--
0004	TBFX00348		TUBE CT40-70-90	1,00	02/2011		--
0005	LAFN05865		PLATE COPRILEVA CONSENSO	1,00			--
0006	LAFN05863	#8479.90.9498	ROD RUBINETTO	1,00			--
0007	MPVR46988		CLIP LAV. SHK	1,00			--
0008	VTVT07725		SCREW TE 5X16 UNI5739 INX	4,00			--
0009	VTVT15906		SCREW TE 6X 12 A2 UNI 5739	2,00			--
0010	VTVT15143		SCREW TE 6X16 UNI5739	3,00			--
0011	GUGO00216		GASKET ACQUA SPORCA	1,00	05/2009		--
0011	GUGO00292		GASKET OR 6162	1,00		05/2009	--
0012	LAFN03626		SPACER	2,00			--
0013	CMCV00312		CABLE SOLLEVAMENTO SQUEEGEE	1,00		07/2007	--
0013	CMCV00428		CABLE SQUEEGEE	1,00	07/2007		--
0014	LAFN06490		HANDLE	1,00			--
0015	MLML00203		SPRING	1,00			--
0016	VTRS00251		WASHER 4-16 INOX A2	1,00			--
0017	VTVT00800		SCREW TC 4X12 ZN	1,00			--
0018	VTVT21096		SCREW TE M 4X 10 INX	2,00			--
0019	LAFN05870		BRACKET LEVA SOLLEVAM. SQUEEGEE	1,00			--
0021	VTRS13947		WASHER D. 8 INX UNI 6592	2,00			--
0022	LAFN05861		LEVER CONSENSO SPAZZOLE	1,00			--
0023	VTDD01694		NUT M 6 INX	2,00			--
0024	LAFN05908		ROD COMANDO RUBINETTO	1,00			--
0026	GUGO00263		GASKET CIRCOLARE TAPPO	1,00			--
0027	FTDP00133		FILTER	1,00			--
0028	MPVR04146		KNOB IN PVC MOD. 1001 FORO D.6	1,00			--
0029	MPVR04716		RING NUT 1"1/2	1,00			--
0030	MPVR05064		CAP COMPLETO	1,00		06/2010	--
0031	MPVR51086		TUBE INT.SERB.RECUP.	1,00			--
0032	VTVT00814		SCREW TE M.4-25	2,00			--
0033	VTRS00515		WASHER D. 4 INX	2,00			--
0034	VTRS00274		WASHER NYLON 66 D.8,4-17-2 UNI	4,00			--
0035	GUGO00417		GASKET SCATOLA ASPIRAZIONE	1,00			--
0036	FTDP00185		BOX ASPIRAZIONE	1,00		01/2009	--
0036	MPVR05482		BOX -	1,00	01/2009		--



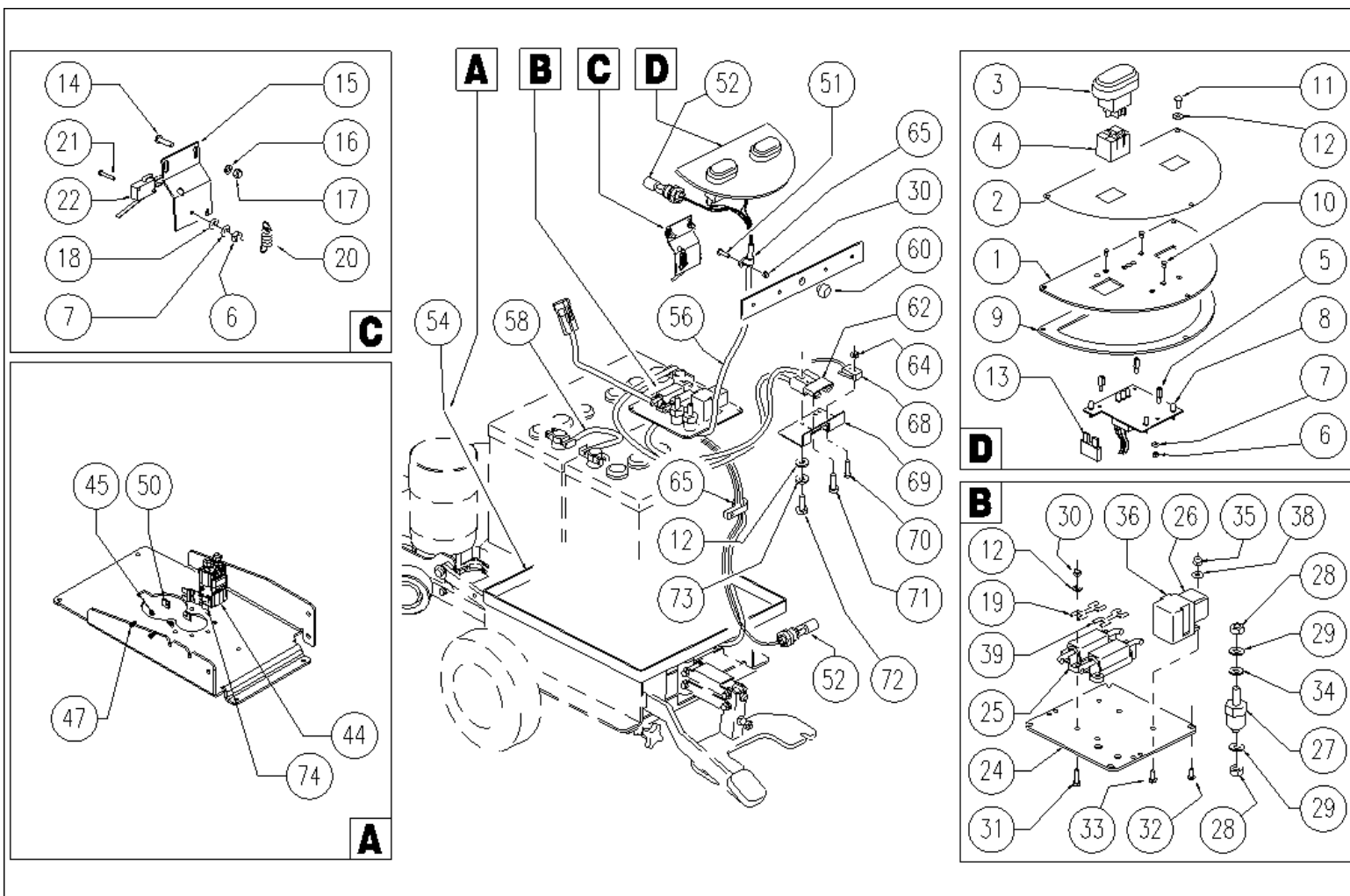
Ref.	K	Part N.	Customer Part N.	Description	Qty	Validity:		Price
						From	To	
0037		VTDD15925		NUT M 4 INX	2,00			--
0038		GUGO00418		GASKET CONDOTTO ASPIRAZIONE	1,00			--
0039		PMVR01129		TUBE C/DEFLETTORE	1,00	05/2006		--
0040		GUGO00245		GASKET	2,00			--
0041		RCVR00504		CONNECTOR DRITTO FEMM.	1,00		02/2009	--
0042		FSVR43136		CLAMP D. 35-40 DF.	1,00		02/2009	--
0046		TBBP00407		TUBE L=990 d.i.350	1,00		02/2009	--
0046		TBBP00454		TUBE TERGI D.40	1,00	02/2009	10/2010	--
0046		TBBP00478		TUBE CT40 L=1040	1,00	10/2010		--
0047		VTDD01693		NUT M 5 INX	2,00	04/2009		--
0048		VTRS00516		WASHER D. 5 INX	4,00	04/2008		--
0049		VTVR01038		WASHER -	1,00	04/2009		--
0050		MPVR05596		PROTECTION -	1,00	04/2009		--
0051		VTVT01150		SCREW 4x10	1,00	04/2009		--
0052		VTVT07725		SCREW TE 5X16 UNI5739 INX	2,00	04/2009		--
0053		LAFN07631		BRACKET -	1,00	04/2009		--
0054		FSVR00248		CLAMP -	1,00	10/2010		--



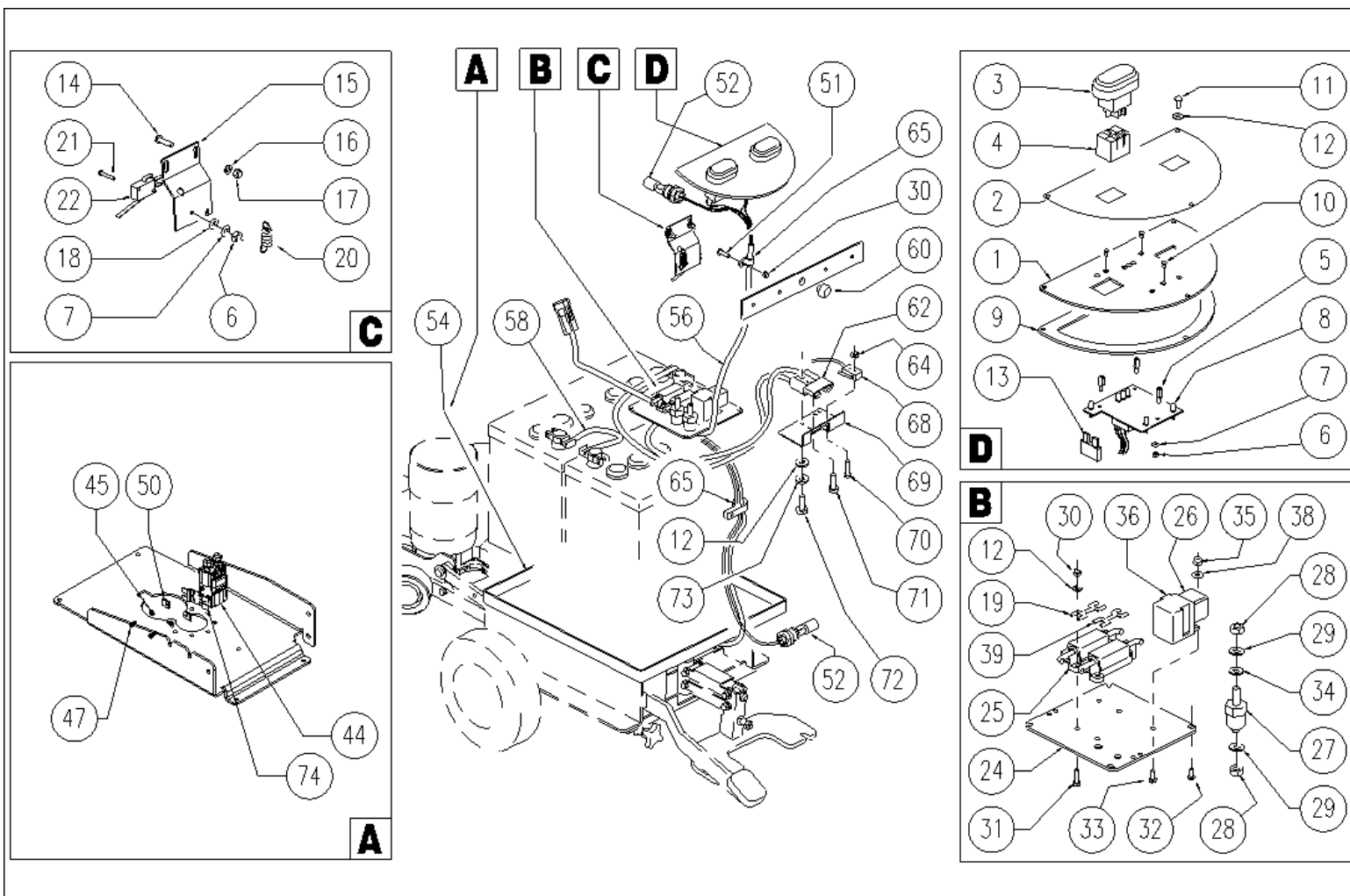
Ref.	K	Part N.	Customer Part N.	Description	Qty	Validity:		Price
						From	To	
0001		VTRS15144		WASHER D. 6 INX GRW UNI 1751	8,00			--
0003		VTVT13937		SCREW TE M 8X 30 INX UNI 5739	4,00		03/2008	--
0004		VTRS13947		WASHER D. 8 INX UNI 6592	4,00		03/2008	--
0005		LAFN05920		FLANGE RIDUTTORE	1,00		03/2008	--
0006		RCDS34717		BUSHING D. 9X12X 8.3	4,00		03/2008	--
0007		VTDD01695		NUT M 8 INX	4,00		03/2008	--
0008		VTVT15906		SCREW TE 6X 12 A2 UNI 5739	8,00			--
0009		MFVR00134		DRIVE DISK SPAZZOLE	1,00			--
0010		MPVR02997		CLIP ANELLO X PERNO D10	1,00		05/2009	--
0010		VTVR00416		HANDWHEEL M 6MAX110 D.35	1,00	05/2009		--
0011		CUVR43254		BUSHING CB 85 1010 18T	1,00			--
0012		LAFN04202		TUBE SOLUZIONE INOX D10	1,00			--
0013		MOCC00298		MOTOR.GEARBOX MRP6	1,00		02/2008	--
0013		MOCC00327	#8479.90.9498	MOTOR -	1,00	02/2008		--
0013		MOCC00344		BRUSH -	4,00			--
0014		CUVR43254		BUSHING CB 85 1010 18T	1,00			--
0015		LAFN51028		BUSHING	1,00			--
0016		RCVR45752		HOSE FITTING "L" 3/8M - D.10 PLS.	1,00			--
0017		VTRS00241		WASHER D. 8-24	4,00		03/2008	--



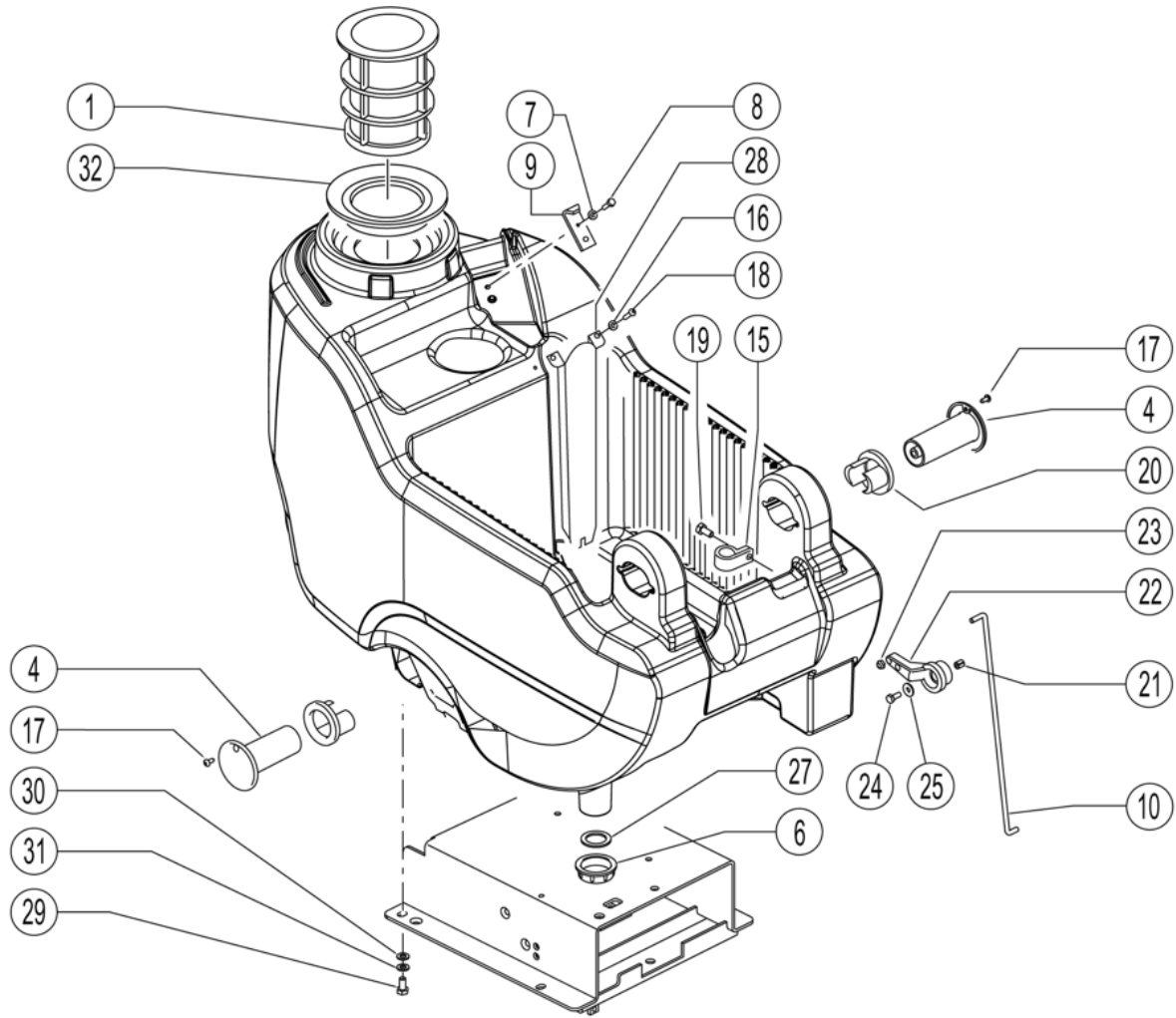
Ref. K	Part N.	Customer Part N.	Description	Qty	Validity:		Price
					From	To	
0002	LAFN06363		FLANGE ASPIRATORE	1,00			--
0003	MPVR05259		TUBE SCARICO	1,00	06/2007		--
0003	TBFX00244		TUBE D 34 L200MM	1,00		06/2007	--
0004	MEVR05200		CARBON MOTORE ASP.AMET.116599-13	2,00			--
0004	MOCC00253		MOTOR ASPIR.BIST.24V	1,00		11/2008	--
0004	MOCC00349		MOTOR ASPIR.BIST.24V	1,00	11/2008		--
0005	VTVR00198		ROD	3,00			--
0006	GUGO00272		GASKET	1,00			--
0007	MPVR04724		FLANGE IN NYLON	1,00			--
0009	FSVR00099		CLAMP FERMATUBO	1,00			--
0010	VTDD01694		NUT M 6 INX	3,00			--
0011	VTRS13945		WASHER D. 6X18 INX UNI 6593	3,00			--
0012	LAFN51078		SPACER SH	3,00			--
0013	VTVT00813		SCREW M 4X 8 TCB-TC UNI 8112	1,00			--
0014	TBFX00268		SUCTION HOSE D80 L=80MM	1,00		04/2007	--
0014	TBFX00312		TUBE ASPIRAZIONE	1,00	05/2007		--
0015	FSVR00118		CLAMP D.94	1,00	05/2007		--
0015	FSVR00500		CLAMP 80-100 INOX	1,00		04/2007	--
0017	MPVR05103		SOUND-PROOFING ASPIRATORE	1,00			--



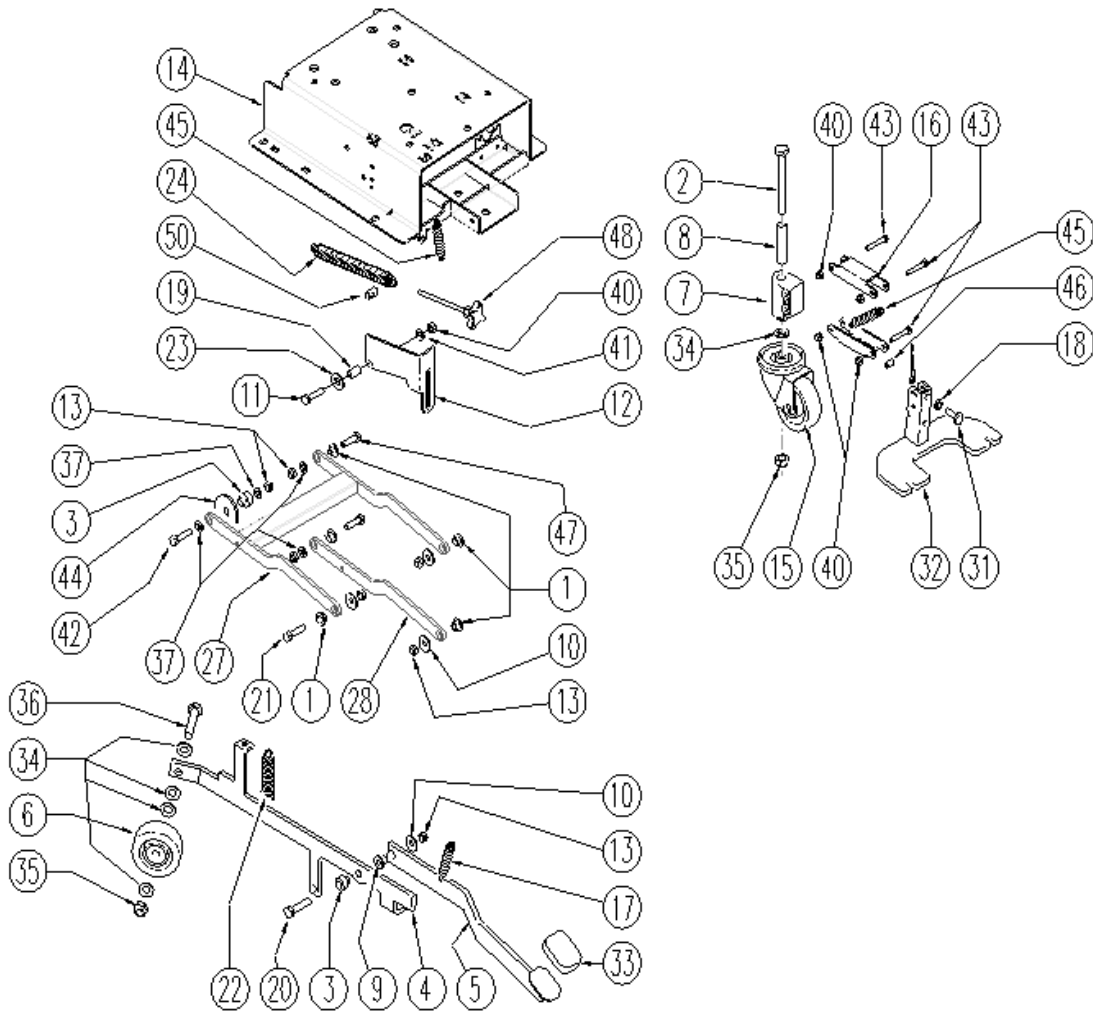
Ref.	K	Part N.	Customer Part N.	Description	Qty	Validity:		Price
						From	To	
0001	LAFN06488			SHEET METAL PA.PANNELLO COMANDI	1,00			--
0002	ETET01372			LABEL ANNELLO COMANDI	1,00			--
0003	MECI00346			SWITCH TTR/L BIP. 24V	2,00			--
0004	MECI00384			BASE 401	2,00			--
0005	LAFN04047			SPACER X SCHEDE M3 15x8x8	3,00			--
0006	VTDD21115			NUT M 3 INOX	7,00			--
0007	VTRS00268			WASHER D.3	7,00			--
0008	MECE00398			BOARD EXTREME 24V	1,00			--
0009	GUGO38417			GASKET PANN.COM.EXTREME	1,00			--
0010	VTVT00865			SCREW TSP-TC M 3X 6 UNI7688 INX	3,00			--
0011	VTVT37012			SCREW M 4X 10 TCB-TC INX	3,00			--
0012	VTRS00515			WASHER D. 4 INX	10,00			--
0013	MEVR01428			FUSE A LAMA 2 A. UNIVAL	1,00			--
0014	VTVT07725			SCREW TE 5X16 UNI5739 INX	2,00			--
0015	LAFN05904			PLATE MICRO LEVA	1,00			--
0016	VTRS00516			WASHER D. 5 INX	2,00			--
0017	VTDD01693			NUT M 5 INX	4,00			--
0018	VTRS21116			WASHER D. 3 INX	2,00			--
0019	MEVR02887			FUSE 40A NST.	1,00			--
0020	MLML34726			SPRING TR E350 N	1,00			--
0021	VTVT01316			SCREW TC+ M3-16	2,00			--
0022	MECI36393			MICROSWITCH TRZ. DRW	1,00			--
0024	LAFN05903			PLATE X CABLAGGIO CLT 40 BATT	1,00			--
0025	MEVR01332			FUSE-HOLDER	2,00		07/2009	--
0025	MEVR31036			FUSE-HOLDER	2,00	07/2009		--
0026	MECE00139			RELAY POTENZA 24V	1,00			--
0027	MEVR01116			SUPPORT FUSIBILE 120 A	3,00			--
0028	VTDD15521			NUT M 8 INX A2 UNI 5588	6,00			--
0029	VTRS01080			WASHER D. 8 GRW	6,00			--
0030	VTDD15925			NUT M 4 INX	6,00			--
0031	VTVT00704			SCREW TE M 4X 16 UNI5739 INOX	5,00			--
0032	VTVT01580			SCREW TC M5X10 UNI7687 INOX	4,00		05/2009	--
0032	VTVT07521			SCREW TCB 5X10	4,00	05/2009		--
0033	VTVT21096			SCREW TE M 4X 10 INX	1,00			--
0034	VTRS13947			WASHER D. 8 INX UNI 6592	3,00			--
0035	VTDD00147			NUT M 4 INX U.5588	1,00			--
0036	METT00053			BLOCK PORTA RELE'	1,00			--
0038	VTRS13750			WASHER D. 5X14 INX	1,00			--
0039	MEVR00604			FUSE	1,00	07/2007		--



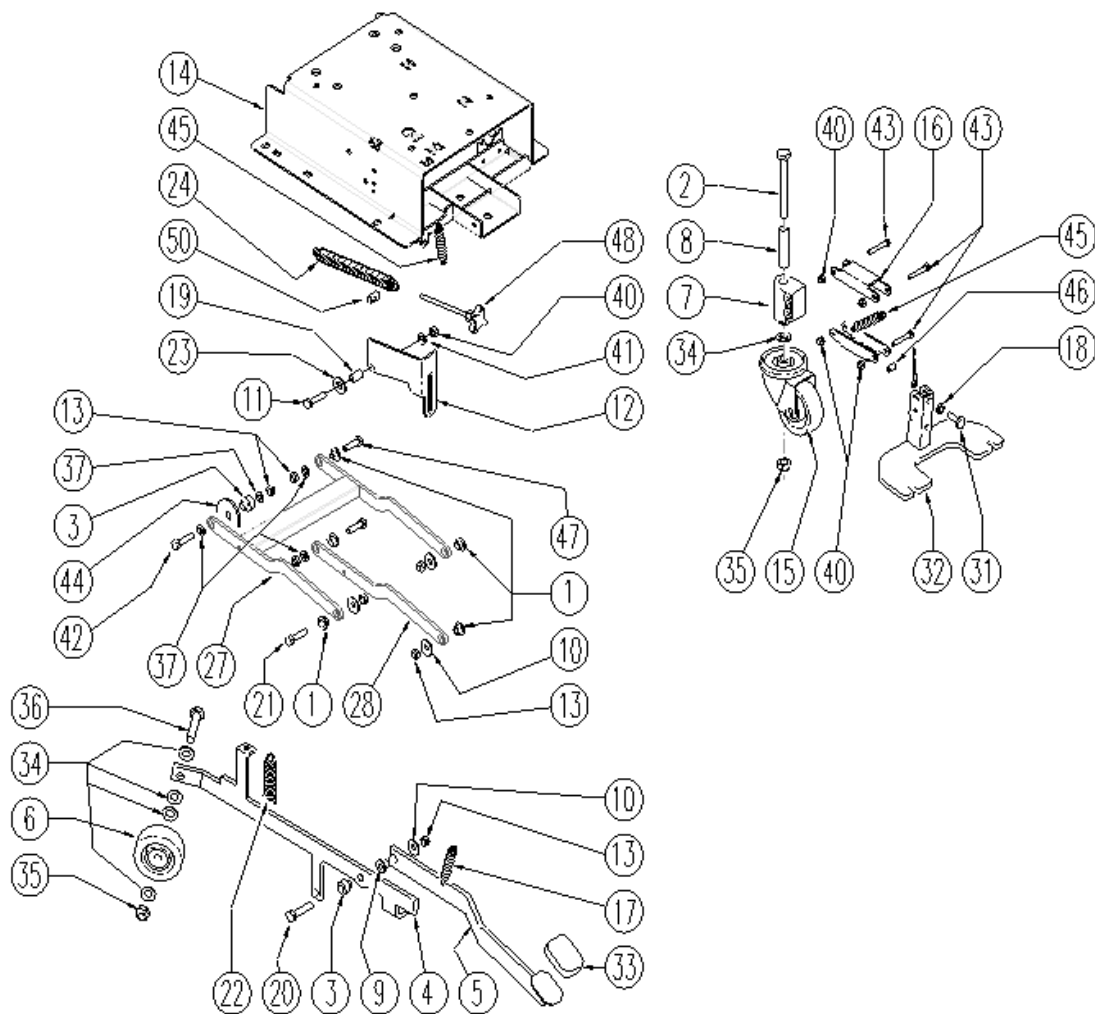
Ref.	K	Part N.	Customer Part N.	Description	Qty	Validity:		Price
						From	To	
0039		MEVR42990		FUSE 60A NST.	1,00		07/2007	--
0044		METT00085		CONTACTOR 100A	1,00	07/2010		--
0044		METT45116	#8479.90.9498	CONTACTOR 24V T106 P	1,00		07/2010	--
0045		VTRS00516		WASHER D. 5 INX	2,00			--
0047		VTVT48694		SCREW TCB TC 5 X12 UNI 9707 TZ	2,00			--
0050		MLML00002		SPRING PRESTOLA DOPPIA 8P	2,00			--
0051		VTVT00704		SCREW TE M 4X 16 UNI5739 INOX	1,00			--
0052		MECI00516		SENSOR DI LIVELLO ORIZZONTALE	2,00			--
0054		LAFN35588		BATTERY SUPPORTLAV. BT	1,00			--
0056		MECB01009		ELECTRI.INSTAL.CT 40 B 24V	1,00			--
0058		MEVR34820		WIRING B 450 BT	1,00			--
0060		MPVR00043		CAP CHIUS.FORO PORTAFUS.L 15	1,00			--
0062		MEVR01707		CONNECTOR -	1,00			--
0064		VTDD08634		NUT M2	2,00			--
0065		FSVR00099		CLAMP FERMATUBO	2,00			--
0068		MECI00334		MICROSWITCH V4	1,00			--
0069		LAFN06409		SUPPORT -	1,00			--
0070		VTVT00671		SCREW TC- M.2-16 OTTONE	2,00			--
0071		VTVT00872		SCREW TSP+ 2.9X13 AUTOFIL. INOX	1,00			--
0072		VTVT00814		SCREW TE M.4-25	2,00			--
0073		VTRS15913		WASHER D. 4 GROVER A2 UNI1751	2,00			--
0074		LAFN07345		BRACKET TL10	1,00	07/2010		--



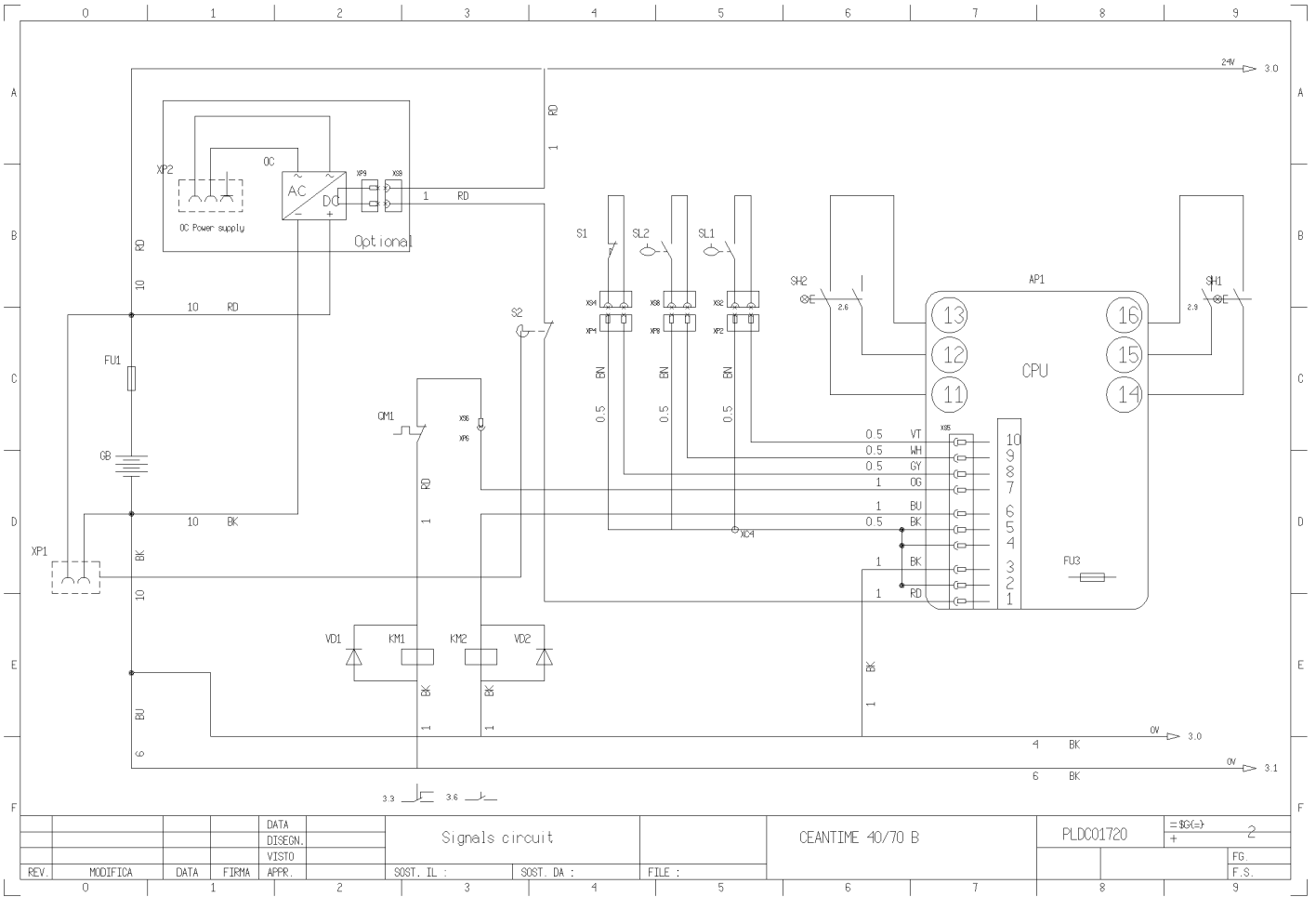
Ref. K	Part N.	Customer Part N.	Description	Qty	Validity:		Price
					From	To	
0001	FTAC48857		FILTER ASP. ACQUA SERB. LAVAP.	1,00			--
0004	MPVR48695		PIN SHK.BK	2,00			--
0006	KTRI03463		CAP SCARICO SERBATOIO SOLUZ.	1,00			--
0007	VTRS15144		WASHER D. 6 INX GRW UNI 1751	1,00			--
0008	VTVT01303		SCREW TE M6-10 INOX	1,00			--
0009	LAFN06489		PLATE	1,00			--
0010	LAFN05862		ROD RUBINETTO	1,00			--
0015	FSVR00099		CLAMP FERMATUBO	2,00			--
0016	VTRS00515		WASHER D. 4 INX	2,00			--
0017	VTVT48694		SCREW TCB TC 5 X12 UNI 9707 TZ	2,00			--
0018	VTVT37012		SCREW M 4X 10 TCB-TC INX	2,00			--
0019	VTVT15961		SCREW M 5X 16 TCB TC UNI 7687	1,00			--
0020	PMVR02028		RUBBER GRUPPO MONTAGGIO	2,00			--
0021	VTVR48693		INSERT M6 D.9	1,00			--
0022	MPVR49471		LEVER SHK	1,00			--
0024	VTVT15143		SCREW TE 6X16 UNI5739	1,00			--
0025	VTRS13945		WASHER D. 6X18 INX UNI 6593	1,00			--
0027	KTRI03463		CAP SCARICO SERBATOIO SOLUZ.	1,00			--
0028	MPVR51085		FLAP POSTER.TERGI 950 MAGG.	1,00			--
0029	VTVT15916		SCREW TE M 8X 16 UNI 5739 A2	4,00			--
0030	VTRS13947		WASHER D. 8 INX UNI 6592	4,00			--
0031	VTRS00269		WASHER D. 8 DIN 6798-A INX A2	4,00			--
0032	GUVR48859		GASKET SHK	1,00			--



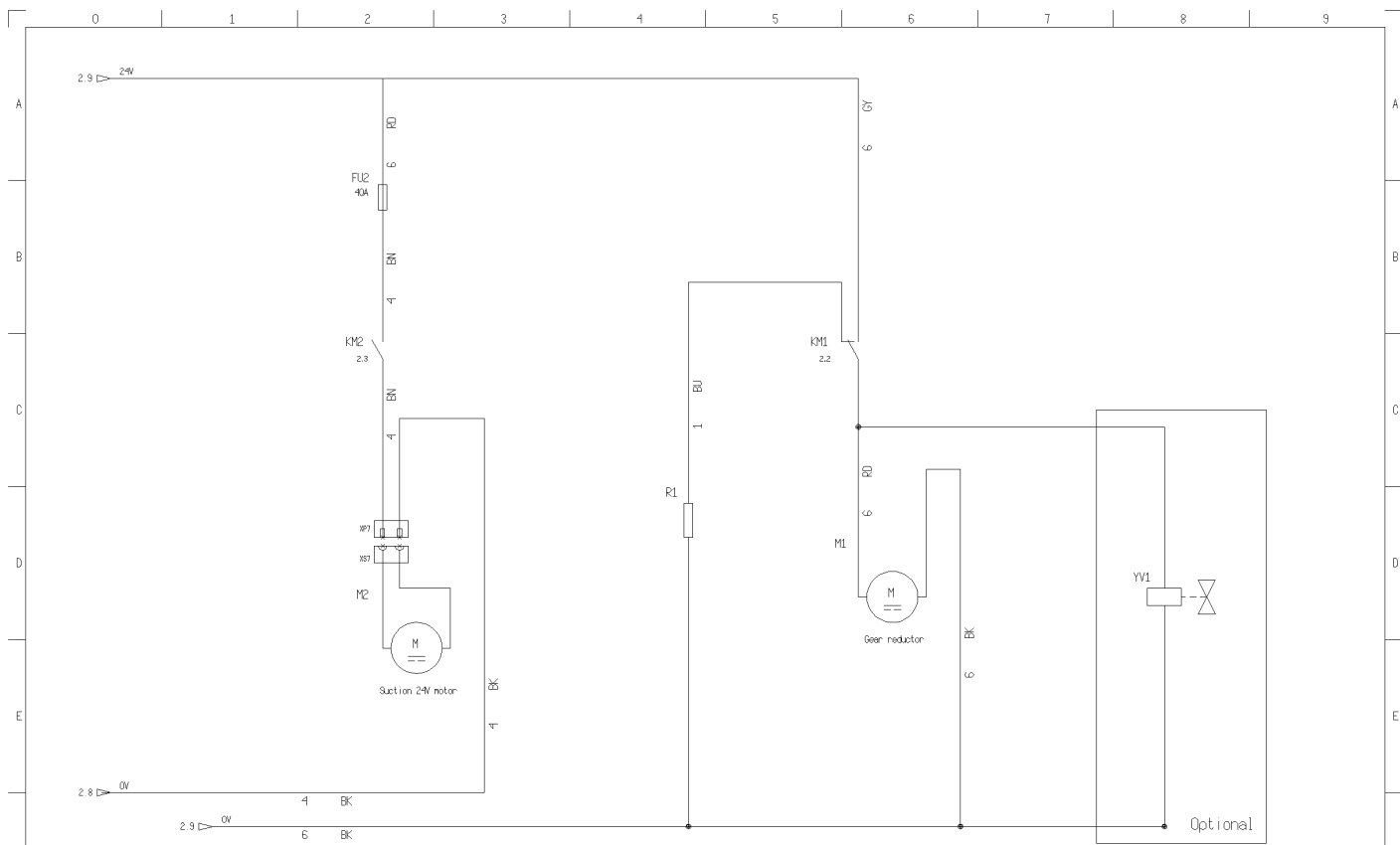
Ref.	K	Part N.	Customer Part N.	Description	Qty	Validity:		Price
						From	To	
0001		LAFN06391		BUSHING PARALLELOGRAMMA	5,00			--
0002		VTVT24212		SCREW TE M 12X100 UNI 5737 INOX	1,00			--
0003		LAFN04190		BUSHING PARALLELOGR.TEST.GR.	2,00			--
0004		LAFN06359		LEVER SOLLEVAMENTO	1,00		05/2010	--
0004		LAFN07872		LEVER -	1,00	06/2010		--
0005		LAFN06417		LEVER -	1,00		01/2009	--
0005		LAFN07602		LEVER -	1,00	01/2009		--
0006		RTRT49171		CASTER D. 80-12	1,00			--
0007		MPVR04734		BLOCK TERGI	1,00			--
0008		LAFN04188		PIN ROTAZIONE SQUEEGEE	1,00			--
0009		LAFN51068	#8479.90.9498	BUSHING LEVA POSTER.	1,00			--
0010		VTRS13946		WASHER D. 8 X24 INX UNI 6593	4,00			--
0011		VTVT00161		SCREW TE M6X20	1,00			--
0012		LAFN10124		PLATE	1,00			--
0013		VTDD01695		NUT M 8 INX	7,00			--
0014		LAFN07293		BASE SERBATOIO	1,00			--
0015		RTRT00276		SMALL WHEEL GIREVOLE PER SPAZZANTE	1,00		05/2008	--
0015		RTRT00518		WHEEL D.80	1,00	05/2008		--
0016		LAFN05853		LEVER ARM SOLLEVAMENTO TERGI	2,00			--
0017		MLML34726		SPRING TR E350 N	1,00			--
0018		VTDD15521		NUT M 8 INX A2 UNI 5588	1,00			--
0019		LAFN03840		BUSHING	1,00			--
0020		VTVT15917		SCREW TE M 8X50 INOX A2 UNI	1,00			--
0021		VTVT15907		SCREW TE 8X25 UNI5739 INX	3,00			--
0022		MLML00310		SPRING -	1,00		01/2008	--
0022		MLML00313		SPRING -	1,00	05/2008		--
0022		MLML00313		SPRING -	1,00	01/2008	05/2008	--
0023		VTRS00274		WASHER NYLON 66 D.8,4-17-2 UNI	1,00			--
0024		MLML31130		SPRING D. 17.5 X110 N38	1,00			--
0027		LAFN06388		ARM TESTATA SUPERIORE	1,00			--
0028		LAFN06389		ARM PARALLELOGRAMMA	1,00			--
0031		VTVT00410		SCREW TE M8x35 UNI5739 INOX	1,00	04/2011		--
0031		VTVT13937		SCREW TE M 8X 30 INX UNI 5739	1,00		04/2011	--
0032		LAFN06355		PLATE SQUEEGEE	1,00		04/2009	--
0032		LAFN07560		PLATE -	1,00	04/2009		--
0033		MPVR05186		COVER -	1,00			--
0034		VTRS00312		WASHER D.13 x24 INOX	5,00			--
0035		VTDD00176		NUT M.12 INOX A2 BASSO AUTOB.	2,00			--
0036		VTVT00836		SCREW TE M12-60 INOX	1,00			--



Ref. K	Part N.	Customer Part N.	Description	Qty	Validity:		Price
					From	To	
0037	VTRS13947		WASHER D. 8 INX UNI 6592	4,00			--
0040	VTDD01694		NUT M 6 INX	5,00			--
0041	VTRS00245		WASHER D.6 UNI 6592 INOX	1,00			--
0042	VTVT00410		SCREW TE M8x35 UNI5739 INOX	1,00			--
0043	VTVT01683		SCREW TE 6X40	4,00			--
0044	MPVR05134		GASKET D.60 FORO D.12 SP.2	1,00			--
0045	MLML00303		SPRING REGISTRAZIONE FLAP	2,00			--
0046	LAFN03742		SPACER SILENZIATORE	1,00		06/2008	--
0046	LAFN06898		SPACER 6-8 h15	1,00	06/2008		--
0047	VTVT13937		SCREW TE M 8X 30 INX UNI 5739	2,00			--
0048	VTVR35749		HANDWHEEL M 6MAX110 D.35	1,00			--
0050	LAFN35747		SPRING SUPPORT LAV. E/B 450	1,00			--



Ref.	K	Part N.	Customer Part N.	Description	Qty	Validity:	Price
						From	To
AP1		MECE00398		BOARD EXTREME 24V	1,00		--
FU1		MEVR00604		FUSE	1,00		--
KM1		METT00056		CONTACTOR T-106	1,00		--
KM2		MECE00139		RELAY POTENZA 24V	1,00		--
QM1		METT00063		PROTECTION TERMICA	1,00		--
S1		MECI36393		MICROSWITCH TRZ. DRW	1,00		--
SH1		MECI00346		SWITCH TTR/L BIP. 24V	1,00		--
SH2		MECI00346		SWITCH TTR/L BIP. 24V	1,00		--
SL1		MECI00516		SENSOR DI LIVELLO ORIZZONTALE	1,00		--
SL2		MECI00516		SENSOR DI LIVELLO ORIZZONTALE	1,00		--
XP1		MEVR01079		PLUG M CB50 A 600V RD.	1,00		--

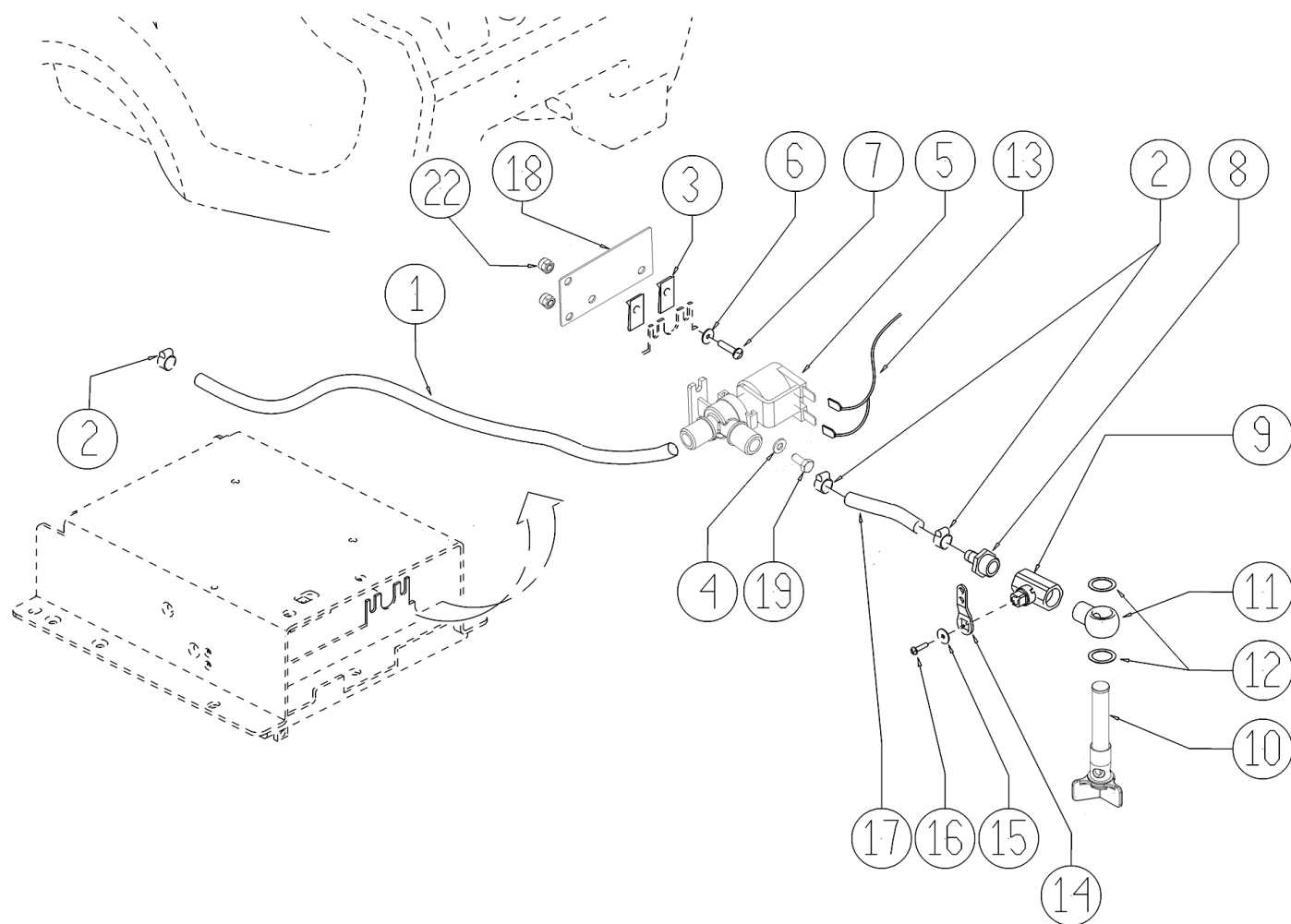


		DATA		Power circuit		CEANTIME 40/70 B		PLDC01720		= 30(±) 3	
		DISSEG.									
		VISTO									
REV.	MODIFICA	DATA	FIRMA	APPR.	SOST. IL :	SOST. DA :	FILE :				FG. F.S.
0					2	3	4	5	6	7	8

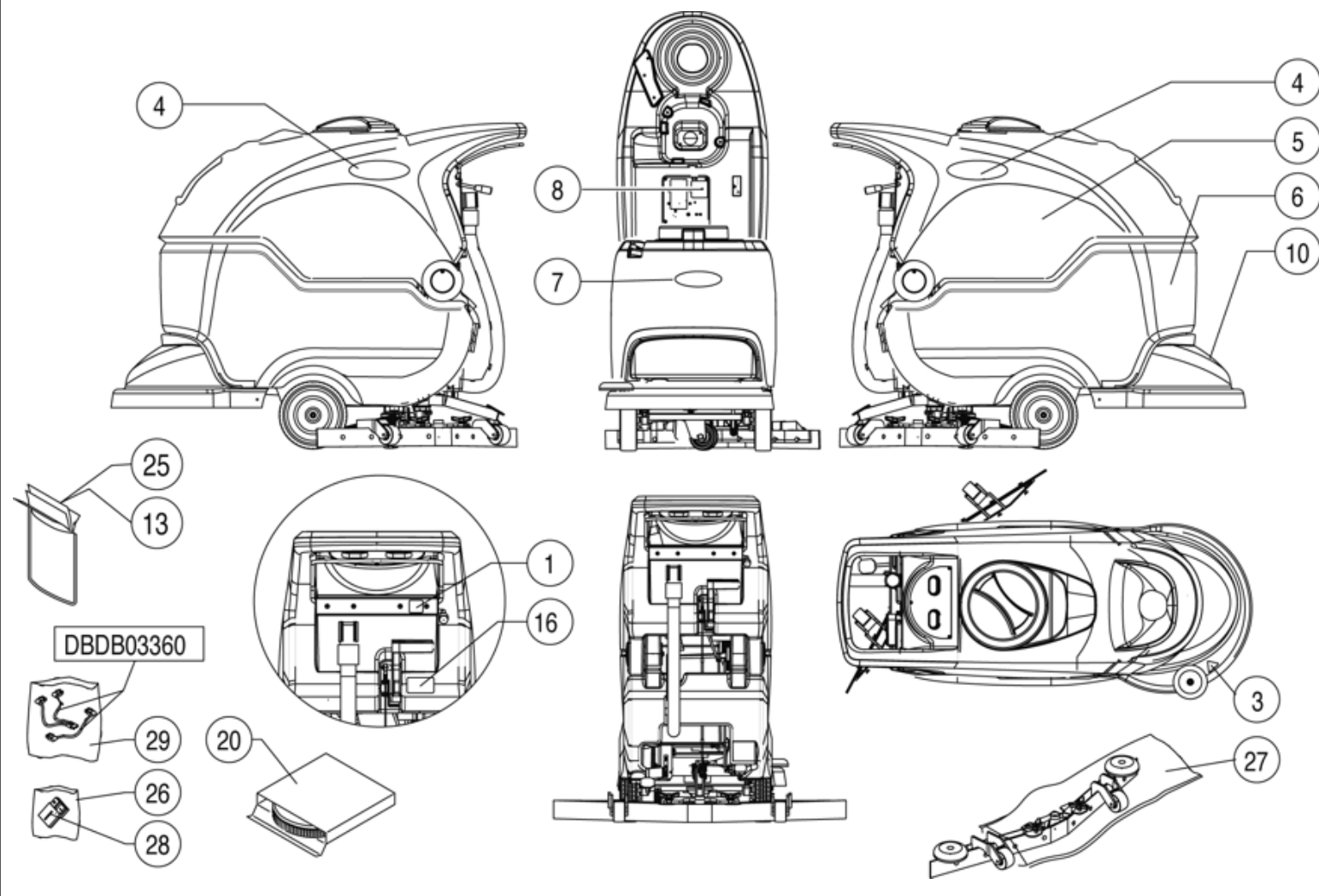
Ref.	K	Part N.	Customer Part N.	Description	Qty	Validity:	From	To	Price
FU2		MEVR02887		FUSE 40A NST.	1,00				--
M1		MOCC00298		MOTOR.GEARBOX MRP6	1,00			02/2008	--
M1		MOCC00327	#8479.90.9498	MOTOR -	1,00		02/2008		--
M2		MOCC00253		MOTOR ASPIR.BIST.24V	1,00			11/2008	--
M2		MOCC00349		MOTOR ASPIR.BIST.24V	1,00		11/2008		--
R1		MECE00391		RESISTANCE 1 OHM 50 W	1,00				--
YV1		MEEV00018		SOLENOID VALVE	1,00				--

0	1	2	3	4	5	6	7	8	9																																																																																																												
<table border="1"> <thead> <tr> <th>Sim.\Syn.</th> <th>Sigla\Item</th> <th>Funzione\Use Type</th> <th>Sim.\Syn.</th> <th>Sigla\Item</th> <th>Funzione\Use Type</th> <th>Sim.\Syn.</th> <th>Sigla\Item</th> <th>Funzione\Use Type</th> </tr> </thead> <tbody> <tr> <td></td> <td>AP1 =0G 2</td> <td>Extreme CPU card 24V</td> <td></td> <td>R1 =0G 3</td> <td>Resistor</td> <td></td> <td>YV1 =0G 3</td> <td>Electrovalve 24V 14W DC 7250 169</td> </tr> <tr> <td></td> <td>FU1 =0G 3</td> <td>Fuse 60A NST.</td> <td></td> <td>S1 =0G 2</td> <td>Microswitch drive</td> <td></td> <td></td> <td></td> </tr> <tr> <td></td> <td>FU2 =0G 3</td> <td>Fuse 40A NST.</td> <td></td> <td>S2 =0G 2</td> <td>Microswitch external battery chang. connector</td> <td></td> <td></td> <td></td> </tr> <tr> <td></td> <td>FU3 =0G 2</td> <td>Blade fuse 2A Unival</td> <td></td> <td>SH1 =0G 2</td> <td>Switch TTR/L Bip 24V</td> <td></td> <td></td> <td></td> </tr> <tr> <td></td> <td>GB =0G 2</td> <td>24V battery</td> <td></td> <td>SH2 =0G 2</td> <td>Switch TTR/L Bip 24V</td> <td></td> <td></td> <td></td> </tr> <tr> <td></td> <td>KM1 =0G 2</td> <td>Contactor T-106</td> <td></td> <td>SL1 =0G 2</td> <td>Fluid level</td> <td></td> <td></td> <td></td> </tr> <tr> <td></td> <td>KM2 =0G 2</td> <td>Power relay 24V</td> <td></td> <td>SL2 =0G 2</td> <td>Fluid level</td> <td></td> <td></td> <td></td> </tr> <tr> <td></td> <td>M1 =0G 3</td> <td>Gear reductor</td> <td></td> <td>VD1 =0G 2</td> <td>Diode</td> <td></td> <td></td> <td></td> </tr> <tr> <td></td> <td>M2 =0G 3</td> <td>Suction 24V motor</td> <td></td> <td>VD2 =0G 2</td> <td>Diode</td> <td></td> <td></td> <td></td> </tr> <tr> <td></td> <td>OC =0G 2</td> <td>OnBoard Battery charger (optional)</td> <td></td> <td>XP1 =0G 2</td> <td>24V ext. battery charger</td> <td></td> <td></td> <td></td> </tr> <tr> <td></td> <td>QM1 =0G 2</td> <td>Thermal protection gear reductor</td> <td></td> <td>XP2 =0G 2</td> <td>OC Power supply</td> <td></td> <td></td> <td></td> </tr> </tbody> </table>										Sim.\Syn.	Sigla\Item	Funzione\Use Type	Sim.\Syn.	Sigla\Item	Funzione\Use Type	Sim.\Syn.	Sigla\Item	Funzione\Use Type		AP1 =0G 2	Extreme CPU card 24V		R1 =0G 3	Resistor		YV1 =0G 3	Electrovalve 24V 14W DC 7250 169		FU1 =0G 3	Fuse 60A NST.		S1 =0G 2	Microswitch drive					FU2 =0G 3	Fuse 40A NST.		S2 =0G 2	Microswitch external battery chang. connector					FU3 =0G 2	Blade fuse 2A Unival		SH1 =0G 2	Switch TTR/L Bip 24V					GB =0G 2	24V battery		SH2 =0G 2	Switch TTR/L Bip 24V					KM1 =0G 2	Contactor T-106		SL1 =0G 2	Fluid level					KM2 =0G 2	Power relay 24V		SL2 =0G 2	Fluid level					M1 =0G 3	Gear reductor		VD1 =0G 2	Diode					M2 =0G 3	Suction 24V motor		VD2 =0G 2	Diode					OC =0G 2	OnBoard Battery charger (optional)		XP1 =0G 2	24V ext. battery charger					QM1 =0G 2	Thermal protection gear reductor		XP2 =0G 2	OC Power supply			
Sim.\Syn.	Sigla\Item	Funzione\Use Type	Sim.\Syn.	Sigla\Item	Funzione\Use Type	Sim.\Syn.	Sigla\Item	Funzione\Use Type																																																																																																													
	AP1 =0G 2	Extreme CPU card 24V		R1 =0G 3	Resistor		YV1 =0G 3	Electrovalve 24V 14W DC 7250 169																																																																																																													
	FU1 =0G 3	Fuse 60A NST.		S1 =0G 2	Microswitch drive																																																																																																																
	FU2 =0G 3	Fuse 40A NST.		S2 =0G 2	Microswitch external battery chang. connector																																																																																																																
	FU3 =0G 2	Blade fuse 2A Unival		SH1 =0G 2	Switch TTR/L Bip 24V																																																																																																																
	GB =0G 2	24V battery		SH2 =0G 2	Switch TTR/L Bip 24V																																																																																																																
	KM1 =0G 2	Contactor T-106		SL1 =0G 2	Fluid level																																																																																																																
	KM2 =0G 2	Power relay 24V		SL2 =0G 2	Fluid level																																																																																																																
	M1 =0G 3	Gear reductor		VD1 =0G 2	Diode																																																																																																																
	M2 =0G 3	Suction 24V motor		VD2 =0G 2	Diode																																																																																																																
	OC =0G 2	OnBoard Battery charger (optional)		XP1 =0G 2	24V ext. battery charger																																																																																																																
	QM1 =0G 2	Thermal protection gear reductor		XP2 =0G 2	OC Power supply																																																																																																																
<table border="1"> <thead> <tr> <th>REV.</th> <th>MODIFICA</th> <th>DATA</th> <th>FIRMA</th> <th>APPR.</th> <th>SOST. IL :</th> <th>SOST. DA :</th> <th>FILE :</th> <th>PLDC01720</th> <th>CEANTIME 40/70 B</th> </tr> </thead> <tbody> <tr> <td></td> <td></td> <td></td> <td></td> <td></td> <td></td> <td></td> <td></td> <td></td> <td></td> </tr> </tbody> </table>										REV.	MODIFICA	DATA	FIRMA	APPR.	SOST. IL :	SOST. DA :	FILE :	PLDC01720	CEANTIME 40/70 B																																																																																																		
REV.	MODIFICA	DATA	FIRMA	APPR.	SOST. IL :	SOST. DA :	FILE :	PLDC01720	CEANTIME 40/70 B																																																																																																												

Ref.	K	Part N.	Customer Part N.	Description	Qty	Validity:	From	To	Price
AP1		MECE00398		BOARD EXTREME 24V	1,00				--
FU1		MEVR00604		FUSE	1,00				--
FU2		MEVR02887		FUSE 40A NST.	1,00				--
KM1		METT00056		CONTACTOR T-106	1,00				--
KM2		MECE00139		RELAY POTENZA 24V	1,00				--
M1		MOCC00298		MOTOR.GEARBOX MRP6	1,00			02/2008	--
M1		MOCC00327	#8479.90.9498	MOTOR -	1,00		02/2008		--
M2		MOCC00253		MOTOR ASPIR.BIST.24V	1,00			11/2008	--
M2		MOCC00349		MOTOR ASPIR.BIST.24V	1,00		11/2008		--
QM1		METT00063		PROTECTION TERMICA	1,00				--
R1		MECE00391		RESISTANCE 1 OHM 50 W	1,00				--
S1		MECI36393		MICROSWITCH TRZ. DRW	1,00				--
SH1		MECI00346		SWITCH TTR/L BIP. 24V	1,00				--
SH2		MECI00346		SWITCH TTR/L BIP. 24V	1,00				--
SL1		MECI00516		SENSOR DI LIVELLO ORIZZONTALE	1,00				--
SL2		MECI00516		SENSOR DI LIVELLO ORIZZONTALE	1,00				--
XP1		MEVR01079		PLUG M CB50 A 600V RD.	1,00				--
YV1		MEEV00018		SOLENOID VALVE	1,00				--



Ref. K	Part N.	Customer Part N.	Description	Qty	Validity:		Price
					From	To	
0001	TBFX48011		TUBE FLEX D.12X3 ARMORV.PVC TR	0,71			--
0002	FSVR00091		CLAMP 14-24	4,00			--
0003	MLML00002		SPRING PRESTOLA DOPPIA 8P	2,00		05/2011	--
0004	VTRS00515		WASHER D. 4 INX	2,00			--
0005	MEEV00036		SOLENOID VALVE	1,00			--
0006	VTRS00516		WASHER D. 5 INX	2,00		05/2011	--
0007	VTVT48694		SCREW TCB TC 5 X12 UNI 9707 TZ	2,00		05/2011	--
0008	RCVR00536		CONNECTOR PORTAG.	1,00			--
0009	RCGR00065		TAP F/F 1/2"	1,00			--
0010	MPVR05221		FILTER COMPLETO	1,00			--
0011	RCDS49622		CONNECTOR OCC 1/2 - 1/2M	1,00			--
0012	VTRS00567		WASHER 1/2	2,00			--
0013	MECB01247		WIRING	1,00			--
0014	LAFN05902		LEVER RUBINETTO	1,00			--
0015	VTRS00251		WASHER 4-16 INOX A2	1,00			--
0016	VTVT00633		SCREW M 3X 20 TCB-TC BK.U.7687	1,00			--
0017	TBFX48011		TUBE FLEX D.12X3 ARMORV.PVC TR	0,11			--
0018	LAFN08843		PLATE -	1,00		05/2011	--
0019	VTVT01158		SCREW M4x16	2,00	05/2011		--
0019	VTVT21096		SCREW TE M 4X 10 INX	2,00		05/2011	--
0022	VTDD00055		NUT M 4 ATB A2	2,00		05/2011	--



Ref.	K	Part N.	Customer Part N.	Description	Qty	Validity:		Price
						From	To	
0001		ETET01447		LABEL	1,00			--
0003		ETET01014		ADHESIVE ATTENZ.ABRAS.ARTI	1,00			--
0004		ETET01542		LABEL LAVAMATIC	2,00			--
0005		MPVR06214		TANK -	1,00			--
0006		MPVR05416		TANK -	1,00			--
0007		ETET01488		LABEL LATERALE	1,00			--
0008		ETET00763		LABEL SIMBOLO FUSIBILI	1,00			--
0010		MPVR04721		COVER	1,00		09/2008	--
0010		MPVR04722		BRUSH PROTECT. 55	1,00	09/2008		--
0013		PLDC01423		MANUAL	1,00			--
0016		ETET01407		PLATE APERTURA SERBATOIO	1,00			--
0020		SPPV43963		BRUSH NYL 0.8 500	1,00			--
0025		PLDC01450		MANUAL RIC. CLT40	1,00			--
0026		MIVR00072		ENVELOPE PLASTICA TRASP.	1,00			--
0027		MIVR00048		TUBE UNIBOL	1,00			--
0028		MEVR01079		PLUG M CB50 A 600V RD.	1,00			--
0029		MIVR00064		ENVELOPE PORTA CABLAGGI	1,00			--