



CleanFreak
(888) 722-5508



**PROFESSIONAL AIR MOVER
OWNER'S MANUAL
CPL-2800-AM-CF (P-630)**

CleanFreak.com
3900 N. Providence Avenue
Appleton, WI 54913, USA
Toll Free: (888) 722-5508
Tel: (920) 882-8453, Fax: (920) 380-0878

PLEASE READ AND SAVE THESE INSTRUCTIONS

Index

Introduction	2
Operation / Instructions.....	3
Safety Instructions.....	4
Maintenance Instructions / Troubleshooting.....	5
Specifications.....	6
Parts List	7
Accessories.....	8

Introduction

CleanFreak's CPL-2800-AM-CF (P-630) Air Mover is a professional level and multipurpose professional Air Mover with the most efficient engineering design. CPL-2800-AM-CF (P-630) is ETL/CETL certified.

Features:

- Low amp draw with high airflow capacity.
- Super quiet and super lightweight.
- Easy clean filter system (optional).
- Easy carrying and stackable.
- Easily disassembled for thorough cleaning and service.
- 20 ft. cord with easy cord wrap design.
- Safety screens on open vents.
- 3 speed switch.
- 4 positions (0°, 20°, 45°, 90°).



- Durable and rugged housing structure.

Operation / Instructions

CleanFreak's CPL-2800-AM-CF (P-630) Air Mover is intended to move air and to dry floors, walls, furniture, etc. Durable and easy to operate with an effective balance of static pressure and airflow suitable for a variety of applications.

1. Air Movers are shipped ready to be put into service.
Prior to plugging the unit into the power source, inspect completely for any shipping damage.
2. Plug the electrical cord into the power outlet.
3. Carefully place the Air Mover unit on a stable, flat dry surface.
4. The unit has four position capabilities to aim airflow across flat surfaces or angled upward.
5. Turn the switch to desired speed and make sure it is operating correctly.
6. All Air Movers in operation must be supervised at all times.



AIR MOVER STORAGE:

Air Movers can be stacked (up to 4) on their sides for storage.

NOTICE:

1. Stacking feature is not secure for transportation.
2. Remove the filters before stacking.

Safety Instructions

1. To prevent electric shock, do not operate the unit in standing water. Never plug in or unplug the unit with wet hands or while standing in water.
2. To avoid risk of injury, do not direct air flow at face or body.
3. To reduce the risk of fire or electric shock, do not use the Air Mover with any solid-state speed control device.
4. Use only with GFCI protected receptacles. Please contact a qualified electrician for verification and / or installation of a GFCI receptacle if necessary.
5. Do not operate any Air Mover with a damaged cord or plug. Discard the unit or return it to an authorized service facility for examination and/or repair.
6. Unplug the Air Mover from the power supply before servicing or cleaning.
7. Do not run the power cord under carpeting. Do not cover the power cord with throw rugs, runners, or similar coverings. Place the power cord away from traffic area to prevent tripping.
8. Do not allow children to play with or around an Air Mover at any time.
9. Do not move or carry an Air Mover while unit is operating.
10. All Air Movers in operation must be supervised at all times.

Maintenance Instructions

1. To keep the Air Mover clean, use a damp cloth to wipe the surface of the housing.
2. Never clean the Air Mover with water.
3. When not in use, unplug and store the Air Mover in a dry indoor place out of reach of children.
4. Always disconnect the Air Mover from its power source before performing any maintenance or cleaning.
5. Clean the filters (optional item) as often as necessary to avoid loss of airflow.

Troubleshooting

For any problems not listed below, call your local distributor or contact our Service Department.

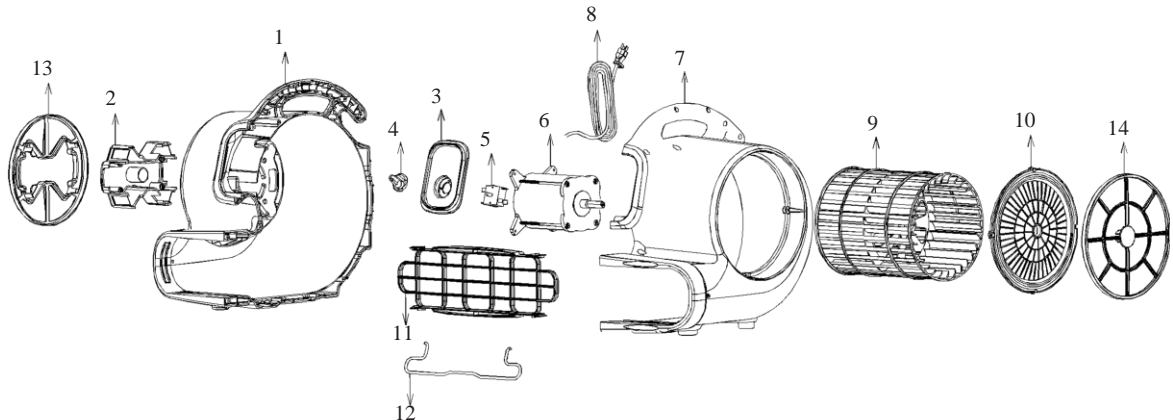
PROBLEM	POSSIBLE CAUSE	SOLUTION
Air Mover not running	No power input	Plug in the Air Mover; check circuit breaker
	Switch not turned on	Turn on switch
	Air Mover fan wheel jammed	Remove material jamming fan wheel
	Intake or exhaust blocked	Turn unit off and allow to cool, then remove blockage
Air over vibrates excessively	Accumulation of dirt on fan blades	Clean Air Mover fan blades

Specifications

Model	CPL-2800-AM-CF (P-630)
Power	1/2 HP
Amp	5.0 A
Weight (Unit / Box)	19 lbs. / 23 lbs.
Speeds (RPM – L / M / H)	3 Speeds / RPM (L-1,000 / M-1,250 / H-1,500)
Unit / Box Size (L x W x H)	15.9" x 15.7" x 16.3" / 16.7" x 16.5" x 17.3"
Daisy Chain	N.A
Cord Length	20 ft.
Overheating Protection	Thermal Protection
Rated Airflow (on high)	2800 CFM
Positions	4 (0°, 20° Kickstand, 45°, 90°)
Housing	PP (Polypropylene)
Safety Marks	ETL / C-ETL
Filter System	Optional

Parts List

Item No.	Parts Name	Item No.	Parts Name
600-1	Left Housing	600-2	Grid Cover (Motor Side)
600-3	Switch Plate	600-4	Switch Knob
600-5	Switch	600-6	Motor
600-7	Right Housing	600-8	Power Cord
600-9	Fan	600-10	Grid Cover (Fan Side)
600-11	Air Outlet Grid Cover	600-12	Kick Stand
600-13	Filter I (Motor Side)	600-14	Filter II (Fan Side)
600-15	Rubber Feet (Not Shown)	600-16	Screws and Nuts (Not Shown)



Accessories

Filters (optional)

A set of filters is available for the CPL-1600-AM-CF Air Mover which will help prevent small debris and dust from entering the Air Mover. To clean the filters: remove filters from the unit and wash with warm soapy water, rinse with clean water and let dry thoroughly before reinstalling.

Installation:
Filters snap into the air inlets.

Note:
The filter I is for the Motor side,
The filter II is for the Fan side



Filter Removal:
Pull the filters out of the blower.

Note:
After cleaning make sure the
filters are dry before
installing.



