

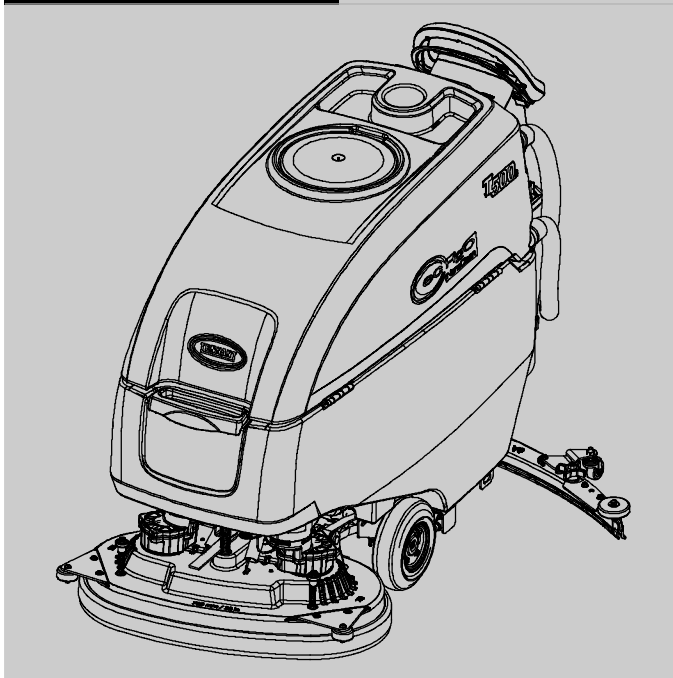
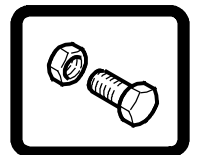


T500e

WALK-BEHIND FLOOR SCRUBBER

Machine Serial Number Range
(S/N 30000000- 40000000)

Parts Manual



TennantTrue® Parts
IRIS® a Tennant Technology
Insta-Fit™ Adapter
Smart-Fill™ Automatic Battery Watering



China / International / Japan

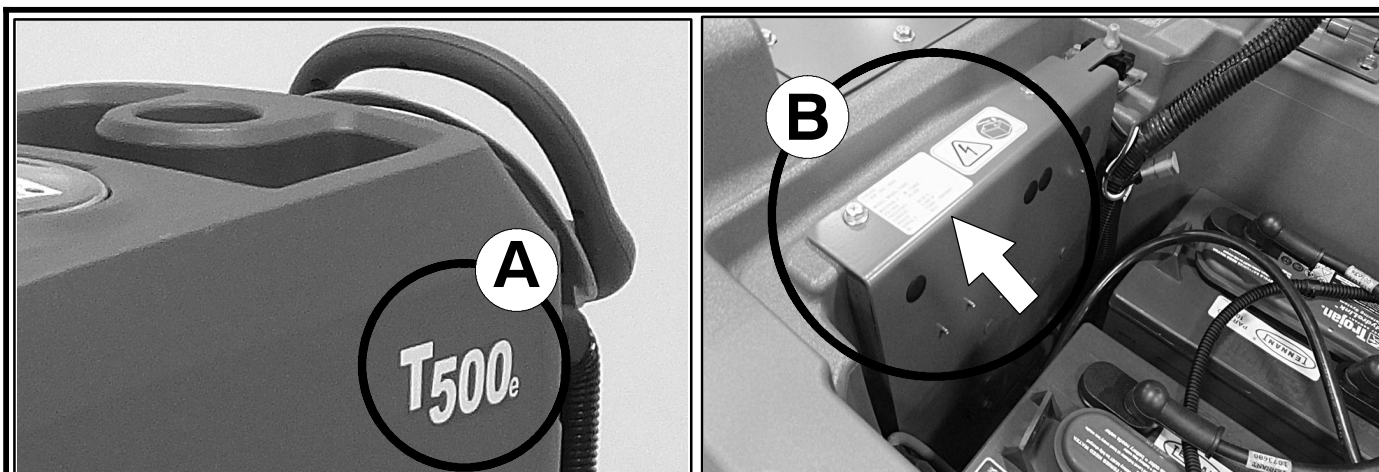


For the latest Parts manuals and other
language Operator manuals, visit:

www.tennantco.com/manuals

9015525
Rev. 04 (03-2022)





Ref	Part No.	Serial Number	Description	Qty.
1	82681	(000000-)	Bracket Wldt, Lpg Mount	1
∇ 2	63810	(000000-)	Latch Assy, Lpg Tank Mtg, W/Nut	4
▲ 3	51839	(000000-)	Nut Adjustable, Lpg Tank Mtg	2
4	49263	(000000-)	Tie, Cable	3
(D)	82556	(000000- 001039)	Bracket, Vaporizer	1
	54930	(000000-)	Vaporizer, LPG	1

HOW TO ORDER PARTS - See diagram above

Only use TENNANT Company supplied or equivalent parts. Parts and supplies may be ordered online, by phone, by fax or by mail.

Follow the steps below to ensure prompt delivery.

1. (A) Identify the machine model.
2. (B) Identify the machine serial number from the data label.
3. (C) Ensure the proper serial number is used from the parts list.
4. Identify the part number and quantity.
Do not order by page or reference numbers.
5. Provide your name, company name, customer ID number, billing and shipping address, phone number and purchase order number.
6. Provide detail shipping instructions.

- (D) ∇ - identifies an assembly
▲ - identifies parts included in assembly

Please fill out at time of installation for future reference.

Model No. - _____
 Serial No. - _____
 Machine Options - _____
 Sales Rep. - _____
 Sales Rep. phone no. - _____
 Customer ID Number - _____
 Installation Date - _____

Tennant Company
 10400 Clean Street
 Eden Prairie, MN 55344- 2650
 USA
 Phone: (800) 553- 8033
 www.tennantco.com

TENNANT Cleaning Systems & Equipment (Shanghai) Co., Ltd
 Room 608, Building 5, Lane 928
 Shenhong Road Shanghai, 201106
 People's Republic of China
 Phone: 86 21 6700 8000
 www.tennant.co.cn

TENNANT Company Japan
 9F Industry & Trade Center
 2 Yamashita- cho, Naka- ku
 Yokohama, Kanagawa 231- 0023
 Japan
 Phone: 81- 45- 640- 5630
 Fax: 81- 45- 640- 5604
 www.tennant.co.jp

Specifications and parts are subject to change without notice.

Copyright © 2022 TENNANT Company, Printed in China.

CN	<p>如何订购部件 - 参见下表</p> <p>仅使用 TENNANT 公司提供的或同等部件。部件和供应可以在线订购，通过电话、传真或邮件订购。请遵循下面的步骤确保及时交付。</p> <ol style="list-style-type: none"> 1. (A) 确定机器型号。 2. (B) 从数据标签确定机器序列号。 3. (C) 确保使用部件列表中的正确序列号。 4. 确定部件号和数量。 不要按页面或参考编号订购。 5. 提供您的姓名、公司名称、客户 ID 号、付帐和送货地址、电话号码和采购单编号。 6. 提供详细的送货说明。 <hr/> <p>(D) ▽ - 确定组件 ▲ - 确定组件中包含的组件</p>	<p>请在安装时填写供未来参考。</p> <p>型号 - _____</p> <p>序列号 - _____</p> <p>机器选项 - _____</p> <p>销售代表 - _____</p> <p>销售代表电话号码 - _____</p> <p>客户 ID 编号 - _____</p> <p>安装日期 - _____</p>
-----------	--	--

JP	<p>パーツの発注方法 ? 上記の図を参照してください</p> <p>TENNANT社製のパーツまたは同等品のみをお使いください。パーツやサプライ品のご注文は、オンライン、電話、FAX、または手紙でお願いいたします。確実にお届けできるように、以下の情報お知らせください。</p> <ol style="list-style-type: none"> 1. (A) 製品のモデル名をお知らせください。 2. (B) 製品のデータラベルに印刷されているシリアル番号をお知らせください。 3. (C) パーツリストを参照して、シリアル番号が正しいかご確認ください。 4. パーツ番号と数量をお知らせください。マニュアル/カタログのページ番号や参照番号でのご注文はご遠慮ください。 5. お客様のお名前、会社名、顧客ID番号、請求/発送先住所、電話番号、注文書番号をお知らせください。 6. 発送に関するご希望があれば、明記してください。 <hr/> <p>(D) ▽ - アセンブリを示します ▲ - アセンブリに含まれるパーツを示します</p>	<p>後日確認できるように、設置時に記入してください。</p> <p>モデルNo. - _____</p> <p>シリアルNo. - _____</p> <p>製品のオプション - _____</p> <p>販売代理店 - _____</p> <p>販売代理店の電話番号 - _____</p> <p>顧客ID番号 - _____</p> <p>設置日 - _____</p>
-----------	---	---

STANDARD PARTS

GENERAL RECOMMENDED MAINTENANCE ITEMS	7
GENERAL RECOMMENDED MAINTENANCE ITEMS (JAPAN)	10
REPLACEMENT BRUSHES AND PAD DRIVER DISK	12
REPLACEMENT BRUSHES AND PAD DRIVER DISK (JAPAN)	14
REPLACEMENT BRUSHES CYLINDRICAL	16
REPLACEMENT PADS ORBITAL	17
REPLACEMENT PADS ORBITAL (JAPAN)	18
SCRUB HEAD GROUP, DISK 650MM / 26IN ...	20
SCRUB HEAD GROUP, DISK 700MM / 28IN ...	22
SCRUB HEAD GROUP, DISK 800MM / 32IN ...	24
SCRUB HEAD GROUP, CYLINDRICAL 700MM / 28IN	26
SCRUB HEAD GROUP, CYLINDRICAL 700MM / 28IN - CONT'D	28
SCRUB HEAD GROUP, ORBITAL 700MM / 28IN	30
RECOVERY TANK GROUP, STANDARD SCREW CAP	32
RECOVERY TANK GROUP, PINCH CUFF SCREW CAP	34
RECOVERY TANK GROUP, CONTROL VALVE (JAPAN)	36
SOLUTION TANK GROUP	38
STANDARD ELECTRICAL GROUP	40
FRAME AND DRIVE GROUP	42
HEAD LIFT GROUP, DISK	44
HEAD LIFT GROUP, CYLINDRICAL	46
HEAD LIFT GROUP, ORBITAL	48
LOWER CONSOLE GROUP, ON- BOARD CHARGER	50
LOWER CONSOLE GROUP, OFF- BOARD CHARGER	52
CONSOLE GROUP	54

STANDARD PARTS - Cont'd

SQUEEGEE LIFT GROUP	56
SQUEEGEE ASSEMBLY, 650MM / 26IN (Original Style 9015301 - Replaced By 9021741)	60
SQUEEGEE ASSEMBLY, 700MM / 28IN (New Style 9021742)	62
SQUEEGEE ASSEMBLY, 700MM / 28IN (Original Style 9015302 - Replaced By 9021742)	64
SQUEEGEE ASSEMBLY, 800MM / 32IN (New Style 9021743)	66
SQUEEGEE ASSEMBLY, 800MM / 32IN (Original Style 9015303 - Replaced By 9021743)	68
STANDARD SOLUTION GROUP	70
LABEL GROUP	72
LABEL GROUP (JAPAN)	73
STANDARD BATTERY CABLES GROUP	74
ELECTRICAL DIAGRAM (S/N JUN2021 -)	75
ELECTRICAL DIAGRAM (S/N 30000000 - MAY2021)	81
ELECTRICAL HARNESS, MAIN (S/N JUN2021 -)	85
ELECTRICAL HARNESS, MAIN (S/N 30000000 - MAY2021)	91
ELECTRICAL HARNESS, BAIL SWITCH	97
ELECTRICAL HARNESS, OPERATOR STATION	98

TABLE OF CONTENTS

OPTIONS

BATTERY GROUP, WET 240AH	101
BATTERY GROUP, AGM 220AH	102
BATTERY GROUP, WET 260AH	103
BATTERY GROUP, WET 260AH (CHINA)	104
BATTERY GROUP, LITHIUM- ION (CHINA)	105
BATTERY GROUP, AGM 220AH (CHINA)	106
LITHIUM- ION BATTERY CABLES GROUP (CHINA)	107
TELEMETRY BATTERY CABLES GROUP	108
EXTRA BATTERY BOX LIFT OUT KIT	109
BATTERY BOX LIFT OUT GROUP	110
SMART-FILL AUTOMATIC BATTERY WATERING SYSTEM (S/N JUN2021 -)	112
SMART-FILL AUTOMATIC BATTERY WATERING GROUP (S/N 30000000 - MAY2021)	114
HYDROLINK® MANUAL BATTERY WATERING KIT	116
PINCH CUFF SCREW CAP DRAIN HOSE GROUP	118
CONTROL VALVE DRAIN HOSE GROUP	119
TELEMETRY ELECTRICAL GROUP	120
ec-H2O SOLUTION GROUP	122
PARKING BRAKE GROUP	124
DOCUMENTATION GROUP (ONLINE ONLY) ...	126

BREAKDOWNS

ec- H2O NANOCLEAN MODULE BREAKDOWN 9020643 (S/N JUN2020 -)	128
ec- H2O NANOCLEAN MODULE BREAKDOWN 9011810 (S/N 30000000 - MAY2020)	130
ORBITAL HEAD ECCENTRIC DRIVE BREAKDOWN	132
AUTOMATIC BATTERY WATERING MODULE BREAKDOWN	134

RECOMMENDED MAINTENANCE ITEMS

GENERAL RECOMMENDED MAINTENANCE ITEMS

Part No.	Serial Number	Description	Qty.
1223989	(30000000- 40000000)	Brush Assy, Disk, Scb, 13.0d, Pyp	2
1223991	(30000000- 40000000)	Brush Assy, Disk, Scb, 13.0d, Nyl	2
1223990	(30000000- 40000000)	Brush Assy, Disk, Scb, 13.0d, Sab	2
1243567	(30000000- 40000000)	Pad, Stripper, 13.0d, Brn [1pick=1ctn]	2
1243655	(30000000- 40000000)	Pad, Scb, 13.0d Blu [1pick=1ctn]	2
1243341	(30000000- 40000000)	Pad, Buff, 13.0d, Red [1pick=1ctn]	2
1243342	(30000000- 40000000)	Pad, Polish, 13.0d, White [1pick=1ctn]	2
1243666	(30000000- 40000000)	Pad, Surf Prep, 13.0d Maroon[1pick=1ctn]	2
1220218	(30000000- 40000000)	Brush Assy, Disk, Scb, 14.0d, Pyp	2
1221541	(30000000- 40000000)	Brush Assy, Disk, Scb, 14.0d, Nyl	2
1220217	(30000000- 40000000)	Brush Assy, Disk, Scb, 14.0d, Sab	2
1243657	(30000000- 40000000)	Pad, Stripping, 14.0d Brown [1pick=1ctn]	2
1243344	(30000000- 40000000)	Pad, Scb, 14.0d, Blu [1pick=1ctn]	2
1243656	(30000000- 40000000)	Pad, Buff, 14.0d Red [1pick=1ctn]	2
1243343	(30000000- 40000000)	Pad, Polish, 14.0d, White [1pick=1ctn]	2
1243658	(30000000- 40000000)	Pad, Strip, 14.0d Blk[Hi Prod1pick=1ctn]	2
1243667	(30000000- 40000000)	Pad, Surf Prep, 14.0d Maroon[1pick=1ctn]	2
1220216	(30000000- 40000000)	Brush Assy, Disk, Scb, 16.0d, Pyp	2
1220215	(30000000- 40000000)	Brush Assy, Disk, Scb, 16.0d, Nyl	2
1220214	(30000000- 40000000)	Brush Assy, Disk, Scb, 16.0d, Sab	2
1243685	(30000000- 40000000)	Pad, Stripping, 16.0d, Brn [1pick=1ctn]	2
1243354	(30000000- 40000000)	Pad, Scb, 16.0d, Blu [1pick=1ctn]	2
1243355	(30000000- 40000000)	Pad, Buff, 16.0d, Red [1pick=1ctn]	2
1243356	(30000000- 40000000)	Pad, Polish, 16.0d, White [1pick=1ctn]	2
1243659	(30000000- 40000000)	Pad, Strip, 16.0d Blk[Hi Prod1pick=1ctn]	2
1243668	(30000000- 40000000)	Pad, Surf Prep, 16.0d Maroon[1pick=1ctn]	2
222304	(30000000- 40000000)	Brush, Scb, 28l, 18sr, Pyp, Spl	2
222305	(30000000- 40000000)	Brush, Scb, 28l, 18sr, Nyl, Spl	2
222306	(30000000- 40000000)	Brush, Scb, 28l, 18sr, Abr, Spl	2
1223247	(30000000- 40000000)	Pad, Scb, 28 X 14, Blu [1pc=1pad]	1
1244690	(30000000- 40000000)	Pad, Buff, 28 X 14, Red [1pick=1ctn]	1
1223246	(30000000- 40000000)	Pad, Polish, 28 X 14, White [1pc=1pad]	1
1223248	(30000000- 40000000)	Pad, Surf Prep, 28 X 14, Mar [1pc=1pad]	1
1228002	(30000000- 40000000)	Pad, Melamine, 14" X 28" [Case Of 5]	1
1223250	(30000000- 40000000)	Pad, Scb, 28 X 14, Green [1pick=1ctn]	1
1221839	(30000000- 40000000)	Pad, Backer, 28 X 14	1
222403	(30000000- 40000000)	Wheel, 02.0d 0.88w 0.50b (Disk Head)	2
1232324	(30000000- 40000000)	Bumper, Head, 65cm, Skirt, Im	1
1232325	(30000000- 40000000)	Bumper, Head, 70cm, Skirt, Im	1
1232326	(30000000- 40000000)	Bumper, Head, 80cm, Skirt, Im	1
630477	(30000000- 40000000)	Wheel, Pyu, 02.0d 0.38w, Gray (Cylindrical Head)	6
1014918	(30000000- 40000000)	Wheel, 03.0d 0.88w 0.31b, W/ Bshg, Rbr (Orbital Head)	2
1218573	(30000000- 40000000)	Skirt, Side, Scrb, Cyl [T500]	4
▽ 9015765	(30000000- 40000000)	Belt Kit, Motor, Ci (Cylindrical Head)	1
▲ 1035888	(30000000- 40000000)	Belt, Drive, 6grv, 508 L X 14 W, [6pj]	2
▲ 1203758	(30000000- 40000000)	Tool, Installation, Belt	1

RECOMMENDED MAINTENANCE ITEMS

GENERAL RECOMMENDED MAINTENANCE ITEMS

	Part No.	Serial Number	Description	Qty.
▽	9015731	(30000000- 40000000)	Blade Kit, 500mm, Linatex (Standard)	1
▲	1203953	(30000000- 40000000)	Blade, Sqge, Rear, 836l, Linatex[500mm] (Standard)	1
▲	1203954	(30000000- 40000000)	Blade, Sqge, Front, 788l, Linatex[500mm] (Standard)	1
▽	9015732	(30000000- 40000000)	Blade Kit, 500mm, Urethane (Option)	1
▲	1215609	(30000000- 40000000)	Blade, Sqge, Rear, 836l, Urethane[500mm] (Option)	1
▲	1215611	(30000000- 40000000)	Blade, Sqge, Front, 788l, Urethane[500mm] (Option)	1
▽	9015730	(30000000- 40000000)	Blade Kit, 500mm, Gum (Option)	1
▲	1215610	(30000000- 40000000)	Blade, Sqge, Rear, 836l, Gum[500mm] (Option)	1
▲	1215612	(30000000- 40000000)	Blade, Sqge, Front, 788l, Gum[500mm] (Option)	1
▽	9015734	(30000000- 40000000)	Blade Kit, 650mm, Linatex (Standard)	1
▲	1221585	(30000000- 40000000)	Blade, Sqge, Rear, 1166l, Linatex[650mm] (Standard)	1
▲	1232680	(30000000- 40000000)	Blade, Sqge, Front, 1072l Linard[650mm] (Standard)	1
▽	9015735	(30000000- 40000000)	Blade Kit, 650mm, Urethane (Option)	1
▲	1228909	(30000000- 40000000)	Blade, Sqge, Rear, 1136l,Urethane[650mm] (Option)	1
▲	1228915	(30000000- 40000000)	Blade, Sqge, Front,1072l,Urethane[650mm] (Option)	1
▽	9015733	(30000000- 40000000)	Blade Kit, 650mm, Gum (Option)	1
▲	1228910	(30000000- 40000000)	Blade, Sqge, Rear, 1136l, Gum[650mm] (Option)	1
▲	1228919	(30000000- 40000000)	Blade, Sqge, Front, 1072l Gum[650mm] (Option)	1
▽	9015737	(30000000- 40000000)	Blade Kit, 700mm, Linatex (Standard)	1
▲	1221572	(30000000- 40000000)	Blade, Sqge, Rear, 1204l, Linatex[700mm] (Standard)	1
▲	1232679	(30000000- 40000000)	Blade, Sqge, Front, 1148l Linard[700mm] (Standard)	1
▽	9015738	(30000000- 40000000)	Blade Kit, 700mm, Urethane (Option)	1
▲	1228904	(30000000- 40000000)	Blade, Sqge, Rear, 1204l,Urethane[700mm] (Option)	1
▲	1228906	(30000000- 40000000)	Blade, Sqge, Front,1148l Urethane[700mm] (Option)	1
▽	9015736	(30000000- 40000000)	Blade Kit, 700mm, Gum (Option)	1
▲	1228905	(30000000- 40000000)	Blade, Sqge, Rear, 1204l, Gum[700mm] (Option)	1
▲	1228907	(30000000- 40000000)	Blade, Sqge, Front, 1148l Gum[700mm] (Option)	1
▽	9015740	(30000000- 40000000)	Blade Kit, 800mm, Linatex (Standard)	1
▲	1221115	(30000000- 40000000)	Blade, Sqge, Rear, 1306l, Linatex[800mm] (Standard)	1
▲	1232681	(30000000- 40000000)	Blade, Sqge, Front, 1256l Linard[800mm] (Standard)	1
▽	9015741	(30000000- 40000000)	Blade Kit, 800mm, Urethane (Option)	1
▲	1228920	(30000000- 40000000)	Blade, Sqge, Rear, 1306l,Urethane[800mm] (Option)	1
▲	1228922	(30000000- 40000000)	Blade, Sqge, Front,1256l Urethane[800mm] (Option)	1
▽	9015739	(30000000- 40000000)	Blade Kit, 800mm, Gum (Option)	1
▲	1228921	(30000000- 40000000)	Blade, Sqge, Rear, 1306l, Gum[800mm] (Option)	1
▲	1228923	(30000000- 40000000)	Blade, Sqge, Front, 1256l Gum[800mm] (Option)	1

RECOMMENDED MAINTENANCE ITEMS

GENERAL RECOMMENDED MAINTENANCE ITEMS

	Part No.	Serial Number	Description	Qty.
	630052	(30000000- 40000000)	Float, Shut- Off, (2)Ball, 1.75d	1
	9015756	(30000000- 40000000)	Seal, Cover, Recvy, Ci [T500]	1
	1211220	(30000000- 40000000)	Hose Assy,W/2cuff,1.5d 022l 1.5/1.5[Pvc] (Black - Standard)	1
	1224414	(30000000- 40000000)	Hose Assy, W/2cuff,1.5d 033l 1.5/1.5[Pu] (Gray - Option)	1
▽	1228252	(30000000- 40000000)	Hose Assy, Drain, 1.5d 014l 2/1.5cap Pvc (Black - Standard)	1
▲▽	1218955	(30000000- 40000000)	Cap, Drain Assy [Black]	1
▲▲	1008637	(30000000- 40000000)	Seal, Org, 1.48id 1.76od	1
▽	1247144	(xxxxxxx- 40000000)	Hose Assy, Drain, 1.5id X 21.0l [Pu] (Gray - Option)	1
▲▽	1219134	(30000000- 40000000)	Cap, Drain Assy [Gray]	1
▲▲	1008637	(30000000- 40000000)	Seal, Org, 1.48id 1.76od	1
▽	1228242	(30000000- xxxxxxxx)	Hose Assy, Drain, 1.5d 024l 2/1.5cap[Pu] (Gray - Option) (No Longer Available - Replaced by 1247144)	1
▲▽	1219134	(30000000- 40000000)	Cap, Drain Assy [Gray]	1
▲▲	1008637	(30000000- 40000000)	Seal, Org, 1.48id 1.76od	1
	9015758	(30000000- 40000000)	Seal, Tank, Soltn, Ci [T500/T500e]	1
	1066431	(30000000- 40000000)	Seal, Afmkt, Bulb, Dual, 03ft [F/.30gap](Soltn Tank Front)	1
	1212422	(30000000- 40000000)	Caster, Swivel [Wicke 224051]	2
▽	9004909	(30000000- 40000000)	Wheel Kit, Solid, Ci [T5 T5e Ss5]	1
▲	1223583	(30000000- 40000000)	Wheel, Scrbr, 213mm, W/ Taper	2
▽	1031723	(30000000- 40000000)	Motor, Transaxle, 24vdc, Afmkt [T5]	1
▲	614166	(30000000- 40000000)	Brush Kit, Carbon, Transaxle, Replmt [4]	1
▽	1211537	(30000000- 40000000)	Filter, In- Line, Pf06/Pf06 080m 2.6l Epd	1
▲	1218885	(30000000- 40000000)	Gasket [Epdm, F/1211537]	1
▲	1218883	(30000000- 40000000)	Screen, Fltr, 80 Mesh, Ss [W/ Cage]	1
▲	613991	(30000000- 40000000)	Bowl, Clr, Short, F/1005302	1
▽	9020643	(JUN2020- 40000000)	Module Kit, Replmt [Ec- H2o, B 02] (Includes Cartridge)	1
▽	9011810	(30000000- MAY2020)	Module Kit, Replmt [Ec- H2o, B 02] (Includes Cartridge) (Replaced By 9020643)	1
▲	9020642	(JUN2020- 40000000)	Controller Kit, Replmt [Ec- H2o Nc] (Includes Cartridge)	1
▲	9014127	(30000000- MAY2020)	Controller Kit, Replmt [Ec- H2o Nc] (Includes Cartridge) (Replaced By 9020642)	1
▲	9013646	(30000000- 40000000)	Cartridge, Ec- H2o Nanoclean Wcm, 270ml	1
▽	9015727	(30000000- xxxxxxxx)	Hose Kit, Drain, Pu, W/ Valve, Ci[T500e] (Gray - Option) (No Longer Available - Replaced by 1247144)	1
▲	1051986	(30000000- xxxxxxxx)	Valve, Ball, 2way, 1.0id Pvc, W/Handle (No Longer Available - Replaced by 1247144)	1
▲	1228335	(30000000- xxxxxxxx)	Hose Assy, W/2cuff,1.5d 022l 2.0/1.5[Pu] (Gray - Option) - (No Longer Available - Replaced by 1247144)	1
▲	1229567	(30000000- 40000000)	Strap, Hanger	1
▽	1219312	(30000000- 40000000)	Fan, Vacuum, 5.7d, 024vdc, 2 Stage	1
▲	372883	(30000000- 40000000)	Vr, Brush Kit, Motor, Ele	1
	1065665	(30000000- 40000000)	Inductor, 32.3mml [Ferrite 10- 250mhz] (Australia Only)	1
	100038	(30000000- 40000000)	Gasket, .50, 02.63id 05.75od, Adh [Epdm]	1
▽	1023067	(30000000- 40000000)	Motor, Ele, 24vdc 0220rpm 0.75hp Gear (Disk Head)	2
▲	1031775	(30000000- 40000000)	Brush Kit, Carbon, Motor, Replmt [T5] (Disk Head)	1
	1227867	(30000000- 40000000)	Inductor, Ferrite [Split Case,407@100hz] (Australia Only)	4
	1065665	(30000000- 40000000)	Inductor, 32.3mml [Ferrite 10- 250mhz] (Australia Only)	2
▽	1223429	(30000000- 40000000)	Motor, Ele, 24vdc 1500rpm 0.60hp (Cylindrical Head)	2
▲	1031775	(30000000- 40000000)	Brush Kit, Carbon, Motor, Replmt [T5] (Cylindrical Head)	1
	1065665	(30000000- 40000000)	Inductor, 32.3mml [Ferrite 10- 250mhz] (Australia Only)	2
▽	1219913	(30000000- 40000000)	Motor, Ele, 24vdc, 2200rpm, 0.75hp 28.0a (Orbital Head)	1
▲	1059370	(30000000- 40000000)	Brush, Motor, Replmt [Bag Of 4] (Orbital Head)	1
	1065665	(30000000- 40000000)	Inductor, 32.3mml [Ferrite 10- 250mhz] (Australia Only)	1

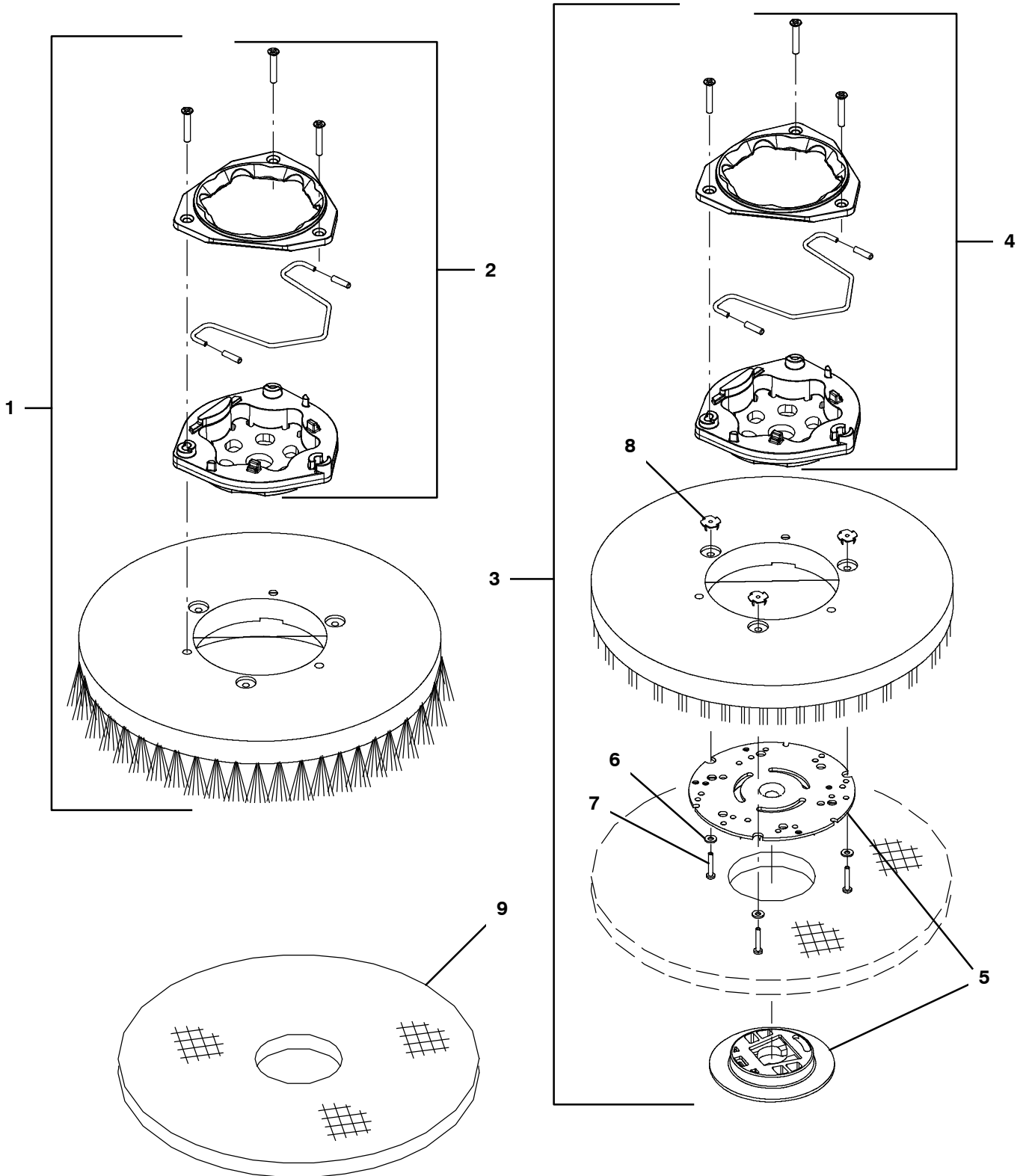
RECOMMENDED MAINTENANCE ITEMS

GENERAL RECOMMENDED MAINTENANCE ITEMS (JAPAN)

Ref.	Part No.	Serial Number	Description	Qty.
	1223989	(30000000- 40000000)	Brush Assy, Disk, Scb, 13.0d, Pyp	2
	1223991	(30000000- 40000000)	Brush Assy, Disk, Scb, 13.0d, Nyl	2
	1223990	(30000000- 40000000)	Brush Assy, Disk, Scb, 13.0d, Sab	2
	989646	(30000000- 40000000)	Pad Blown 13 Inch	2
	989653	(30000000- 40000000)	Pad Blue 13 Inch	2
	989660	(30000000- 40000000)	Pad Red 13 Inch	2
	989674	(30000000- 40000000)	Pad White 13 Inch	2
	1051024	(30000000- 40000000)	Pad, Surf Prep, 13.0d [Mar, 1pick=1pad]	2
	1220218	(30000000- 40000000)	Brush Assy, Disk, Scb, 14.0d, Pyp	2
	1221541	(30000000- 40000000)	Brush Assy, Disk, Scb, 14.0d, Nyl	2
	1220217	(30000000- 40000000)	Brush Assy, Disk, Scb, 14.0d, Sab	2
	989647	(30000000- 40000000)	Pad Blown 14 Inch	2
	989654	(30000000- 40000000)	Pad Blue 14 Inch	2
	989661	(30000000- 40000000)	Pad Red 14 Inch	2
	989698	(30000000- 40000000)	Pad White 14 Inch	2
	989636	(30000000- 40000000)	Pad Black Hi Pro 14 Inch	2
	1051026	(30000000- 40000000)	Pad, Surf Prep, 14.0d [Mar, 1pick=1pad]	2
	1220216	(30000000- 40000000)	Brush Assy, Disk, Scb, 16.0d, Pyp	2
	1220215	(30000000- 40000000)	Brush Assy, Disk, Scb, 16.0d, Nyl	2
	1220214	(30000000- 40000000)	Brush Assy, Disk, Scb, 16.0d, Sab	2
	989648	(30000000- 40000000)	Pad Blown 16 Inch	2
	989655	(30000000- 40000000)	Pad Blue 16 Inch	2
	989662	(30000000- 40000000)	Pad Red 16 Inch	2
	989637	(30000000- 40000000)	Pad Black Hi Pro 16 Inch	2
	989041	(30000000- 40000000)	Pad, Blue, Scrubbing (5pcs/1box) (Orbital Head)	1
	989042	(30000000- 40000000)	Pad, Red, Cleaning (5pcs/1box) (Orbital Head)	1
	989043	(30000000- 40000000)	Pad, White, Polishing (5pcs/1box) (Orbital Head)	1
	989044	(30000000- 40000000)	Pad, Brown, Stripping (5pcs/1box) (Orbital Head)	1
	989045	(30000000- 40000000)	Pad, Black, Stripping (5pcs/1box) (Orbital Head)	1
	989046	(30000000- 40000000)	Pad, Light Blue, Ceramic Scrubbing (3pcs/1box) (Orbital Head)	1
	989047	(30000000- 40000000)	Pad, White, Ceramic Scrubbing (3pcs/1box) (Orbital Head)	1
	1228002	(30000000- 40000000)	Pad, Melamine, 14" X 28" [Case Of 5]	1
	1221839	(30000000- 40000000)	Pad, Backer, 28 X 14	1
▽	1247144	(xxxxxxx- 40000000)	Hose Assy, Drain, 1.5id X 21.0l [Pu] (Gray)	1
▲▽	1219134	(30000000- 40000000)	Cap, Drain Assy [Gray]	1
▲▲	1008637	(30000000- 40000000)	Seal, Org, 1.48id 1.76od	1
▽	9015727	(30000000- xxxxxxxx)	Hose Kit, Drain, Pu, W/ Valve, Ci[T500e] (Gray) (No Longer Available - Replaced by Gray Pinch Cuff Screw Cap 1247144)	1
▲	1051986	(30000000- xxxxxxxx)	Valve, Ball, 2way, 1.0id Pvc, W/Handle (No Longer Available - Replaced by Gray Pinch Cuff Screw Cap 1247144)	1
▲	1228335	(30000000- xxxxxxxx)	Hose Assy, W/2cuff,1.5d 022l 2.0/1.5[Pu] (Gray) (No Longer Available - Replaced by Gray Pinch Cuff Screw Cap 1247144)	1
▲	1229567	(30000000- 40000000)	Strap, Hanger	1
	1224414	(30000000- 40000000)	Hose Assy, W/2cuff,1.5d 033l 1.5/1.5[Pu] (Gray)	1

REPLACEMENT BRUSHES AND PAD DRIVER DISK

355426



REPLACEMENT BRUSHES AND PAD DRIVER DISK

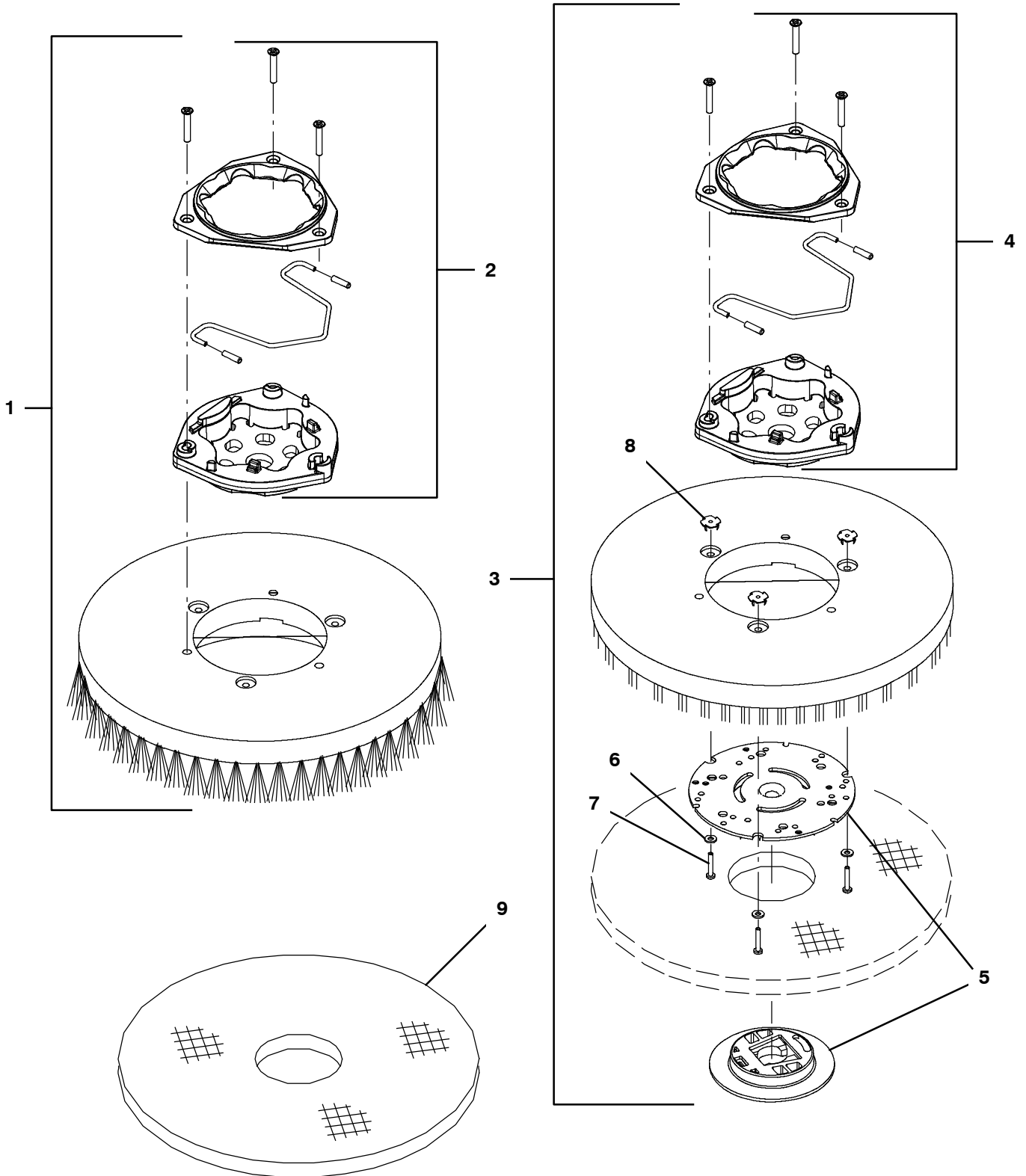
Ref.	Part No.	Serial Number	Description	Qty.
▽	1	1223989	(30000000- 40000000) Brush Assy, Disk, Scb, 13.0d, Pyp	2
▽	1	1223991	(30000000- 40000000) Brush Assy, Disk, Scb, 13.0d, Nyl	2
▽	1	1223990	(30000000- 40000000) Brush Assy, Disk, Scb, 13.0d, Sab	2
▽	1	1220218	(30000000- 40000000) Brush Assy, Disk, Scb, 14.0d, Pyp	2
▽	1	1221541	(30000000- 40000000) Brush Assy, Disk, Scb, 14.0d, Nyl	2
▽	1	1220217	(30000000- 40000000) Brush Assy, Disk, Scb, 14.0d, Sab	2
▽	1	1220216	(30000000- 40000000) Brush Assy, Disk, Scb, 16.0d, Pyp	2
▽	1	1220215	(30000000- 40000000) Brush Assy, Disk, Scb, 16.0d, Nyl	2
▽	1	1220214	(30000000- 40000000) Brush Assy, Disk, Scb, 16.0d, Sab	2
▲	2	9014667	(30000000- 40000000) Brush Kit, Hub Assy, Drive, Ci [Comm]	1
▽	3	1220220	(30000000- 40000000) Driver Assy, Pad, 13.0d, Brush	2
▽	3	1220221	(30000000- 40000000) Driver Assy, Pad, 14.0d, Brush	2
▽	3	1220222	(30000000- 40000000) Driver Assy, Pad, 16.0d, Brush	2
▲	4	9014667	(30000000- 40000000) Brush Kit, Hub Assy, Drive, Ci [Comm]	1
▲	5	370095	(30000000- 40000000) Device, Centering, Clip On, TI [Gf Pp]	1
▲	6	41579	(30000000- 40000000) Washer, Flat, 08, Ss	3
▲	7	04403	(30000000- 40000000) Screw, Pan, Phl, M4 X 0.70 X 25, NI, Ss	3
▲	8	10908	(30000000- 40000000) Nut, T, M4 X 0.70	3
	9	1243567	(30000000- 40000000) Pad, Stripper, 13.0d, Brn [1pick=1ctn]	2
	9	1243655	(30000000- 40000000) Pad, Scb, 13.0d Blu [1pick=1ctn]	2
	9	1243341	(30000000- 40000000) Pad, Buff, 13.0d, Red [1pick=1ctn]	2
	9	1243342	(30000000- 40000000) Pad, Polish, 13.0d, White [1pick=1ctn]	2
	9	1243666	(30000000- 40000000) Pad, Surf Prep, 13.0d Maroon[1pick=1ctn]	2
	9	1240356	(30000000- 40000000) Pad, Polish, 13.0d, Yel [1pick=1ctn]	2
	9	1243657	(30000000- 40000000) Pad, Stripping, 14.0d Brown [1pick=1ctn]	2
	9	1243344	(30000000- 40000000) Pad, Scb, 14.0d, Blu [1pick=1ctn]	2
	9	1243656	(30000000- 40000000) Pad, Buff, 14.0d Red [1pick=1ctn]	2
	9	1243343	(30000000- 40000000) Pad, Polish, 14.0d, White [1pick=1ctn]	2
	9	1243658	(30000000- 40000000) Pad, Strip, 14.0d Blk[Hi Prod1pick=1ctn]	2
	9	1243667	(30000000- 40000000) Pad, Surf Prep, 14.0d Maroon[1pick=1ctn]	2
	9	1240389	(30000000- 40000000) Pad, Polish, 14.0d, Yel [1pick=1ctn]	2
	9	1243685	(30000000- 40000000) Pad, Stripping, 16.0d, Brn [1pick=1ctn]	2
	9	1243354	(30000000- 40000000) Pad, Scb, 16.0d, Blu [1pick=1ctn]	2
	9	1243355	(30000000- 40000000) Pad, Buff, 16.0d, Red [1pick=1ctn]	2
	9	1243356	(30000000- 40000000) Pad, Polish, 16.0d, White [1pick=1ctn]	2
	9	1243659	(30000000- 40000000) Pad, Strip, 16.0d Blk[Hi Prod1pick=1ctn]	2
	9	1243668	(30000000- 40000000) Pad, Surf Prep, 16.0d Maroon[1pick=1ctn]	2

▽ ASSEMBLY

▲ INCLUDED IN ASSEMBLY

REPLACEMENT BRUSHES AND PAD DRIVER DISK (JAPAN)

355426



REPLACEMENT BRUSHES AND PAD DRIVER DISK (JAPAN)

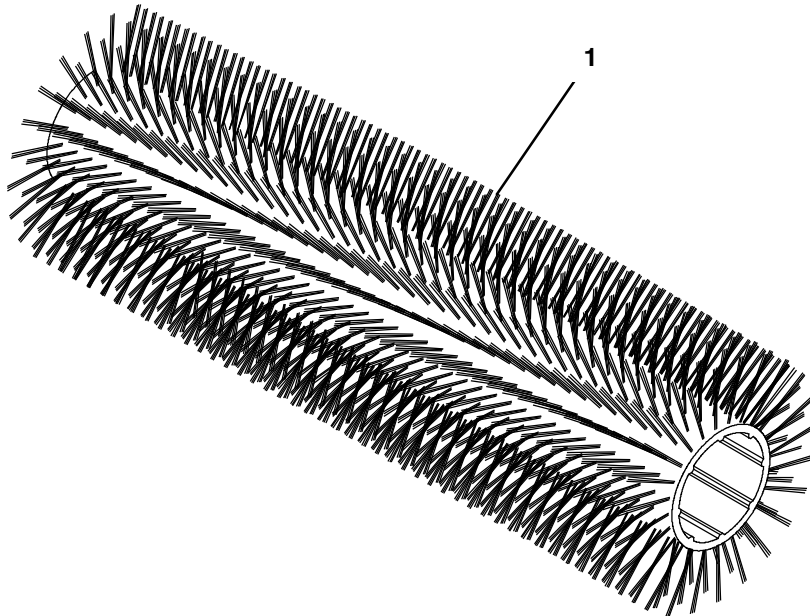
Ref.	Part No.	Serial Number	Description	Qty.
▽	1	1223989	(30000000- 40000000) Brush Assy, Disk, Scb, 13.0d, Pyp	2
▽	1	1223991	(30000000- 40000000) Brush Assy, Disk, Scb, 13.0d, Nyl	2
▽	1	1223990	(30000000- 40000000) Brush Assy, Disk, Scb, 13.0d, Sab	2
▽	1	1220218	(30000000- 40000000) Brush Assy, Disk, Scb, 14.0d, Pyp	2
▽	1	1221541	(30000000- 40000000) Brush Assy, Disk, Scb, 14.0d, Nyl	2
▽	1	1220217	(30000000- 40000000) Brush Assy, Disk, Scb, 14.0d, Sab	2
▽	1	1220216	(30000000- 40000000) Brush Assy, Disk, Scb, 16.0d, Pyp	2
▽	1	1220215	(30000000- 40000000) Brush Assy, Disk, Scb, 16.0d, Nyl	2
▽	1	1220214	(30000000- 40000000) Brush Assy, Disk, Scb, 16.0d, Sab	2
▲	2	9014667	(30000000- 40000000) Brush Kit, Hub Assy, Drive, Ci [Comm]	1
▽	3	1220220	(30000000- 40000000) Driver Assy, Pad, 13.0d, Brush	2
▽	3	1220221	(30000000- 40000000) Driver Assy, Pad, 14.0d, Brush	2
▽	3	1220222	(30000000- 40000000) Driver Assy, Pad, 16.0d, Brush	2
▲	4	9014667	(30000000- 40000000) Brush Kit, Hub Assy, Drive, Ci [Comm]	1
▲	5	370095	(30000000- 40000000) Device, Centering, Clip On, TI [Gf Pp]	1
▲	6	41579	(30000000- 40000000) Washer, Flat, 08, Ss	3
▲	7	04403	(30000000- 40000000) Screw, Pan, Phl, M4 X 0.70 X 25, NI, Ss	3
▲	8	10908	(30000000- 40000000) Nut, T, M4 X 0.70	3
	9	989646	(30000000- 40000000) Pad Blown 13 Inch	2
	9	989653	(30000000- 40000000) Pad Blue 13 Inch	2
	9	989660	(30000000- 40000000) Pad Red 13 Inch	2
	9	989674	(30000000- 40000000) Pad White 13 Inch	2
	9	1051024	(30000000- 40000000) Pad, Surf Prep, 13.0d [Mar, 1pick=1pad]	2
	9	989647	(30000000- 40000000) Pad Blown 14 Inch	2
	9	989654	(30000000- 40000000) Pad Blue 14 Inch	2
	9	989661	(30000000- 40000000) Pad Red 14 Inch	2
	9	989698	(30000000- 40000000) Pad White 14 Inch	2
	9	989636	(30000000- 40000000) Pad Black Hi Pro 14 Inch	2
	9	1051026	(30000000- 40000000) Pad, Surf Prep, 14.0d [Mar, 1pick=1pad]	2
	9	989648	(30000000- 40000000) Pad Blown 16 Inch	2
	9	989655	(30000000- 40000000) Pad Blue 16 Inch	2
	9	989662	(30000000- 40000000) Pad Red 16 Inch	2
	9	989637	(30000000- 40000000) Pad Black Hi Pro 16 Inch	2
	9	989642	(30000000- 40000000) Pad Black 16 Inch	2

▽ ASSEMBLY

▲ INCLUDED IN ASSEMBLY

REPLACEMENT BRUSHES CYLINDRICAL

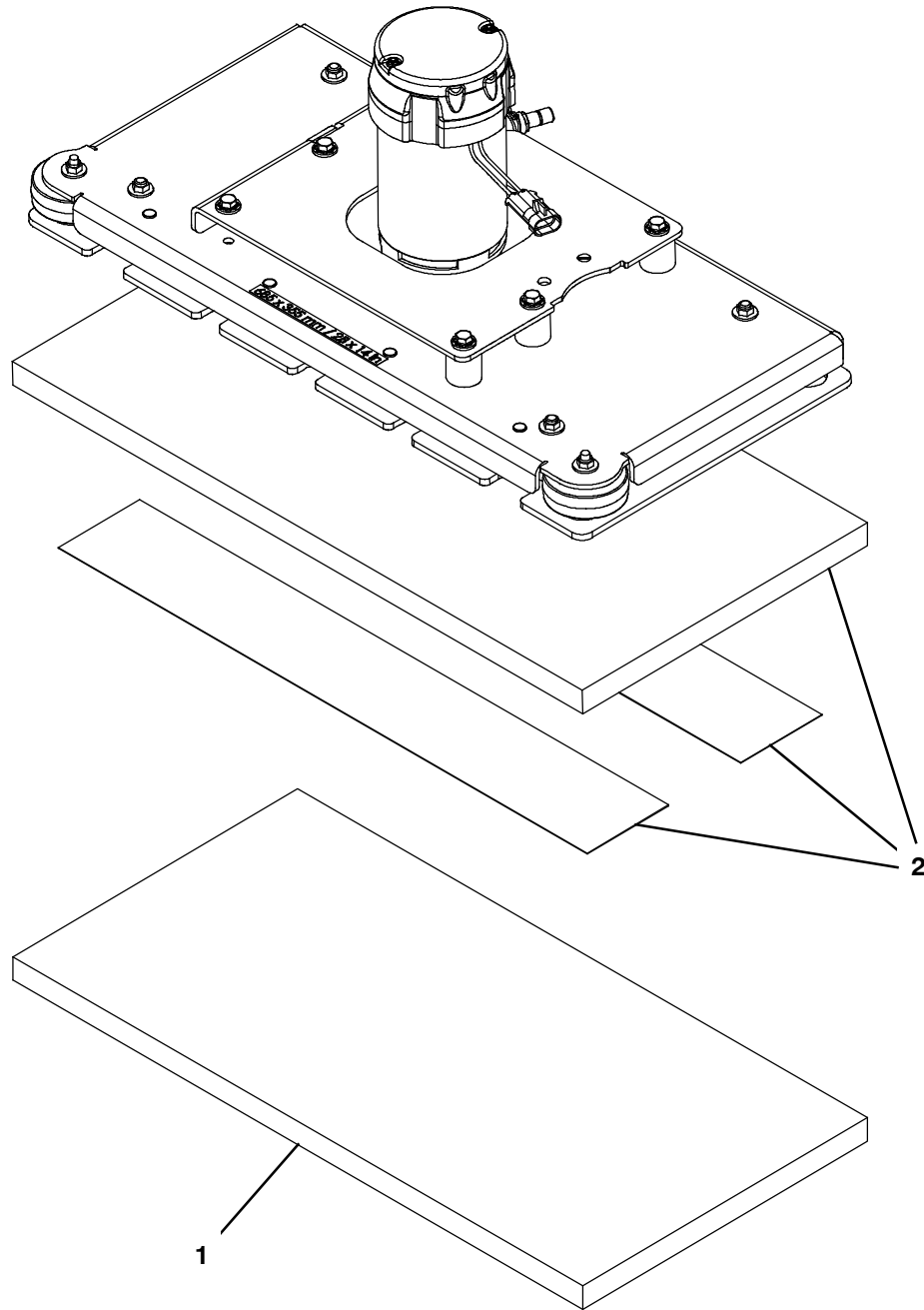
355427



Ref.	Part No.	Serial Number	Description	Qty.
1	222304	(30000000- 40000000)	Brush, Scb, 28l, 18sr, Pyp, Spl	2
1	222305	(30000000- 40000000)	Brush, Scb, 28l, 18sr, Nyl, Spl	2
1	222306	(30000000- 40000000)	Brush, Scb, 28l, 18sr, Abr, Spl	2

REPLACEMENT PADS ORBITAL

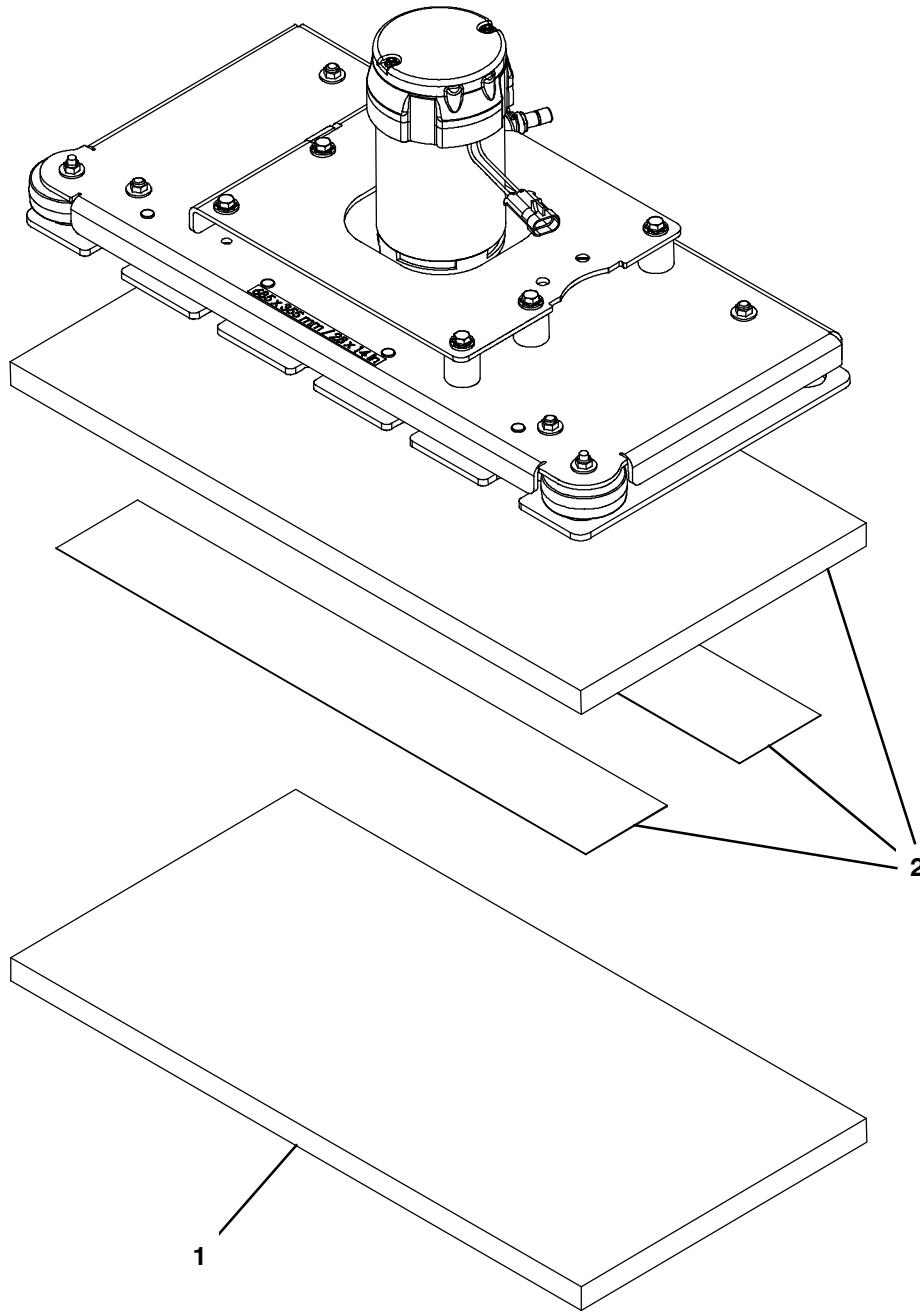
355478



Ref.	Part No.	Serial Number	Description	Qty.
1	1223247	(30000000- 40000000)	Pad, Scb, 28 X 14, Blu [1pc=1pad]	1
1	1244690	(30000000- 40000000)	Pad, Buff, 28 X 14, Red [1pick=1ctn]	1
1	1223246	(30000000- 40000000)	Pad, Polish, 28 X 14, White [1pc=1pad]	1
1	1223248	(30000000- 40000000)	Pad, Surf Prep, 28 X 14, Mar [1pc=1pad]	1
1	1223250	(30000000- 40000000)	Pad, Scb, 28 X 14, Green [1pick=1ctn]	1
1	1228002	(30000000- 40000000)	Pad, Melamine, 14" X 28" [Case Of 5]	1
2	1221839	(30000000- 40000000)	Pad, Backer, 28 X 14 (Includes Velcro Fasteners)	1

REPLACEMENT PADS ORBITAL (JAPAN)

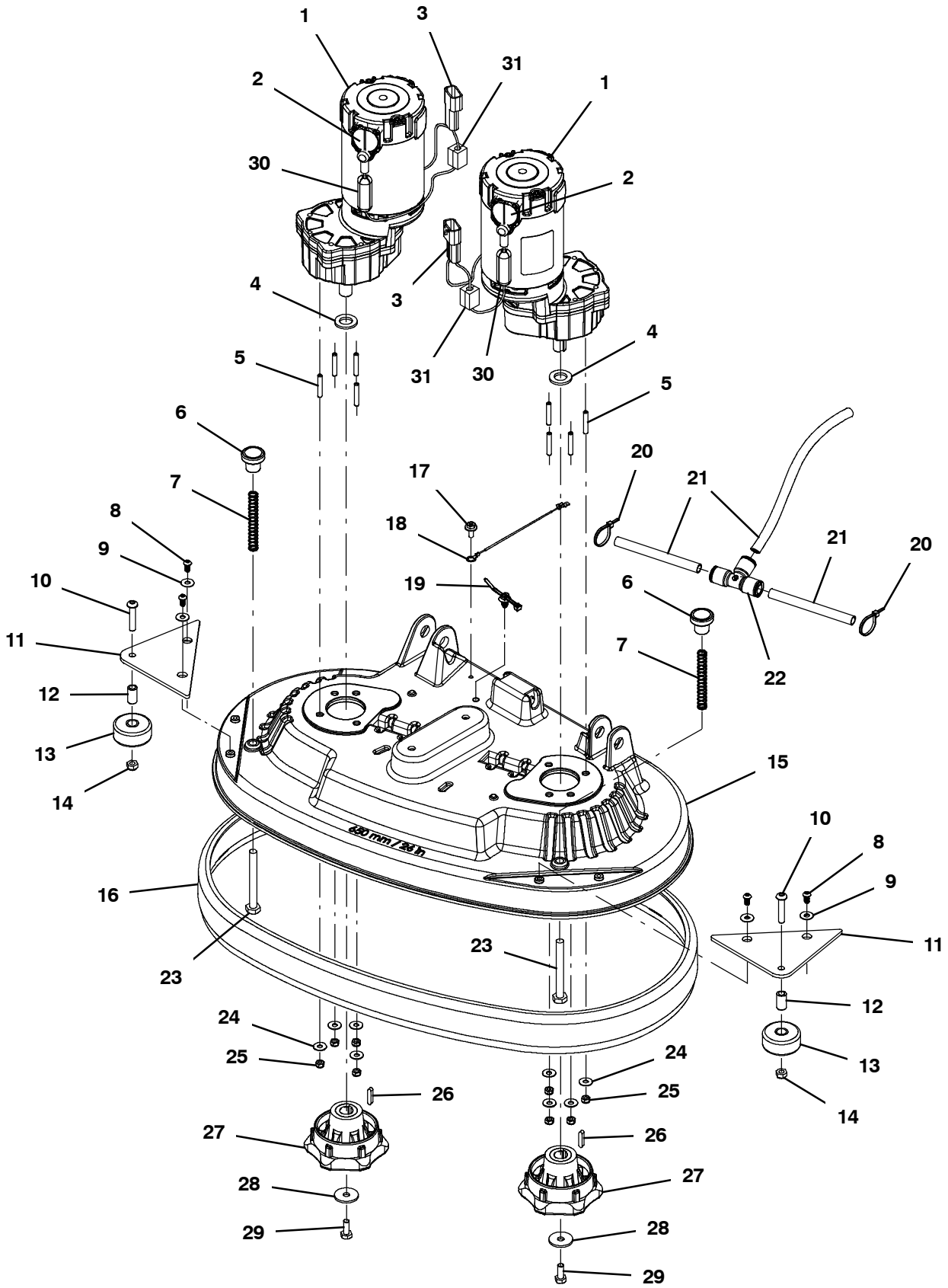
355478



Ref.	Part No.	Serial Number	Description	Qty.
1	989041	(30000000- 40000000)	Pad, Blue, Scrubbing (5pcs/1box)	1
1	989042	(30000000- 40000000)	Pad, Red, Cleaning (5pcs/1box)	1
1	989043	(30000000- 40000000)	Pad, White, Polishing (5pcs/1box)	1
1	989044	(30000000- 40000000)	Pad, Brown, Stripping (5pcs/1box)	1
1	989045	(30000000- 40000000)	Pad, Black, Stripping (5pcs/1box)	1
1	989046	(30000000- 40000000)	Pad, Light Blue, Ceramic Scrubbing (3pcs/1box)	1
1	989047	(30000000- 40000000)	Pad, White, Ceramic Scrubbing (3pcs/1box)	1
1	1223248	(30000000- 40000000)	Pad, Surf Prep, 28 X 14, Mar [1pick=1pc]	1
1	1228002	(30000000- 40000000)	Pad, Melamine, 14" X 28" [Case Of 5]	1
2	1221839	(30000000- 40000000)	Pad, Backer, 28 X 14 (Includes Velcro Fasteners)	1

SCRUB HEAD GROUP, DISK 650MM / 26IN

355666



SCRUB HEAD GROUP, DISK 650MM / 26IN

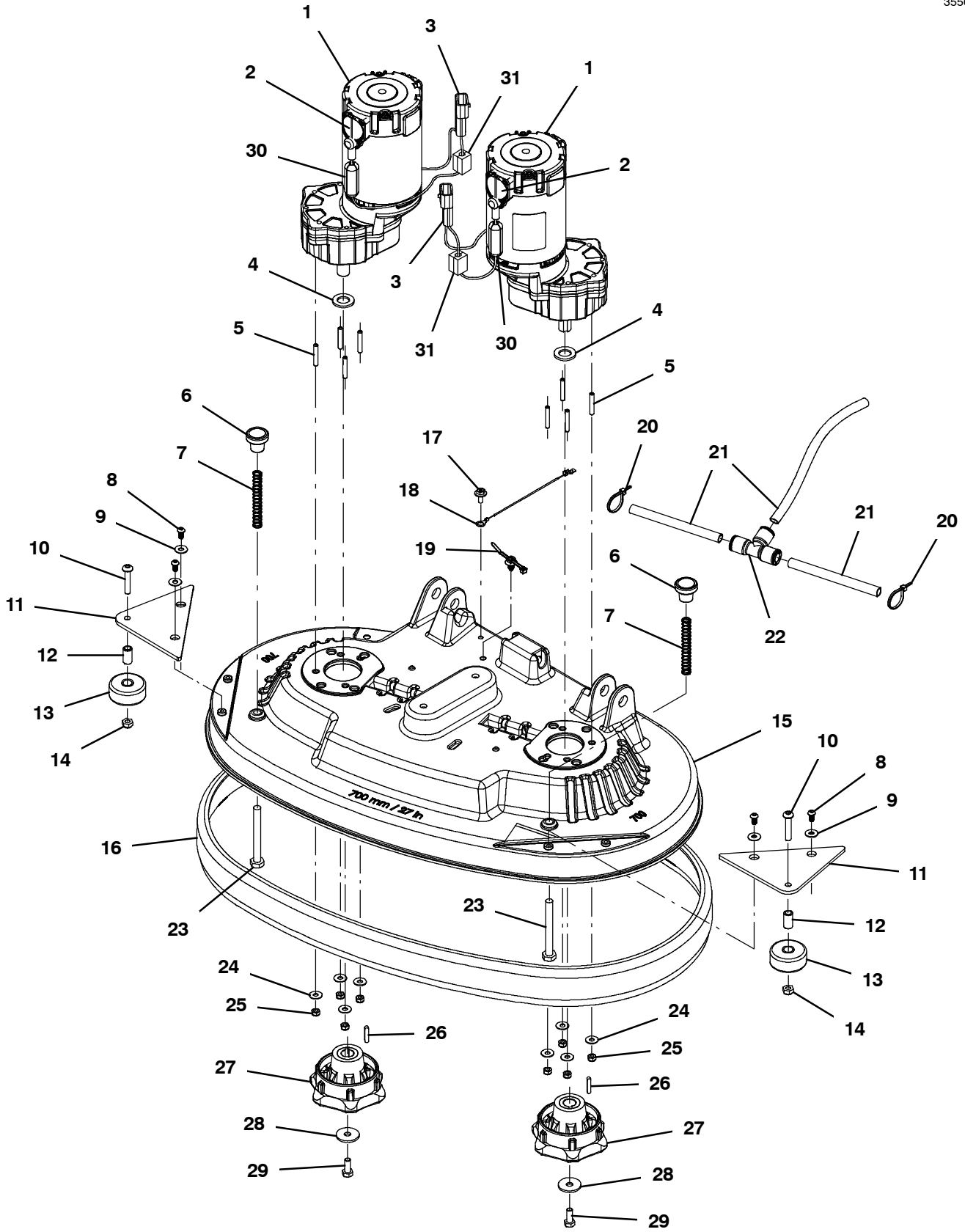
Ref.	Part No.	Serial Number	Description	Qty.
▽	1	1023067	(30000000- 40000000) Motor, Ele, 24vdc 0220rpm 0.75hp Gear (Australia Also Requires Ferrite Qty 2 #1227867 & Qty 1 #1065665)	2
▲	2	1031775	(30000000- 40000000) Brush Kit, Carbon, Motor, Replmt [T5]	1
▲	3	1031681	(30000000- 40000000) Harness, Connector, Brush- Motor [T5] Us	1
	4	1022549	(30000000- 40000000) Spacer, Shaft, 17.15b 30.0d 3.0l, Ss	2
	5	1025853	(30000000- 40000000) Screw, Set, M6 X 1.00 X 35, NI, Ss	8
	6	1222988	(30000000- 40000000) Knob, Rnd, 31.0d 27.0l M10, Plstc	2
	7	626081	(30000000- 40000000) Spring, Cmpr, 0.48od .04wir 03.5l	2
	8	1227865	(30000000- 40000000) Screw, Trs, M6 X 1.0 X 12, Phl, Ss, NI	4
	9	01684	(30000000- 40000000) Washer, Flat, 0.27b 0.69d .05, Ss	4
	10	397826	(30000000- 40000000) Screw, Btn, M8 X 1.25 X 40, Ss	2
	11	1227709	(30000000- 40000000) Bracket, Roller, Wall	2
	12	222496	(30000000- 40000000) Sleeve, P/M, 0.32b 0.50d 0.9l [430ss]	2
	13	222403	(30000000- 40000000) Wheel, 02.0d 0.88w 0.50b	2
	14	08713	(30000000- 40000000) Nut, Hex, Lock, M8 X 1.25, NI, Ss	2
	15	1222365	(30000000- 40000000) Housing, Disc, Dual, 65cm [Machined]	1
	16	1232324	(30000000- 40000000) Bumper, Head, 65cm, Skirt, Im	1
	17	1034731	(30000000- 40000000) Screw, Hex, M6 X 1.00 X 16, Sems, Ss	1
	18	1074344	(30000000- 40000000) Harness, Ele [Ring With .250m Tail]	1
	19	1210807	(30000000- 40000000) Wire, Tie [W/.25" Fir Tree Clip]	1
	20	130773	(30000000- 40000000) Tie, Cable, Nyl, 11.0l, .14w, 3.0 Max. D	2
	21	9014145	(30000000- 40000000) Hose, Afmkt, Pe, .375id .50od, 05ft	1
	22	1212858	(30000000- 40000000) Fitting, Plstc, Tee, Qf08/Qf08/Qf08	1
	23	09746	(30000000- 40000000) Screw, Hex, M10 X 1.50 X 90, Ss	2
	24	01684	(30000000- 40000000) Washer, Flat, 0.27b 0.69d .05, Ss	8
	25	08712	(30000000- 40000000) Nut, Hex, Lock, M6 X 1.00, NI, Ss	8
	26	1014328	(30000000- 40000000) Key, Sq, 05mm X 05mm, 25mml	2
	27	1071637	(30000000- 40000000) Hub, Drive, Brush, Disk, 17mmb	2
	28	1017218	(30000000- 40000000) Washer, Flat, 0.32b 1.00d .12, Ss	2
	29	12273	(30000000- 40000000) Screw, Hex, M8 X 1.25 X 20, NI, Ss	2
	30	1227867	(30000000- 40000000) Inductor, Ferrite [Split Case,407@100hz] (Australia Only)	4
	31	1065665	(30000000- 40000000) Inductor, 32.3mml [Ferrite 10- 250mhz] (Australia Only)	2

▽ ASSEMBLY

▲ INCLUDED IN ASSEMBLY

SCRUB HEAD GROUP, DISK 700MM / 28IN

355667



SCRUB HEAD GROUP, DISK 700MM / 28IN

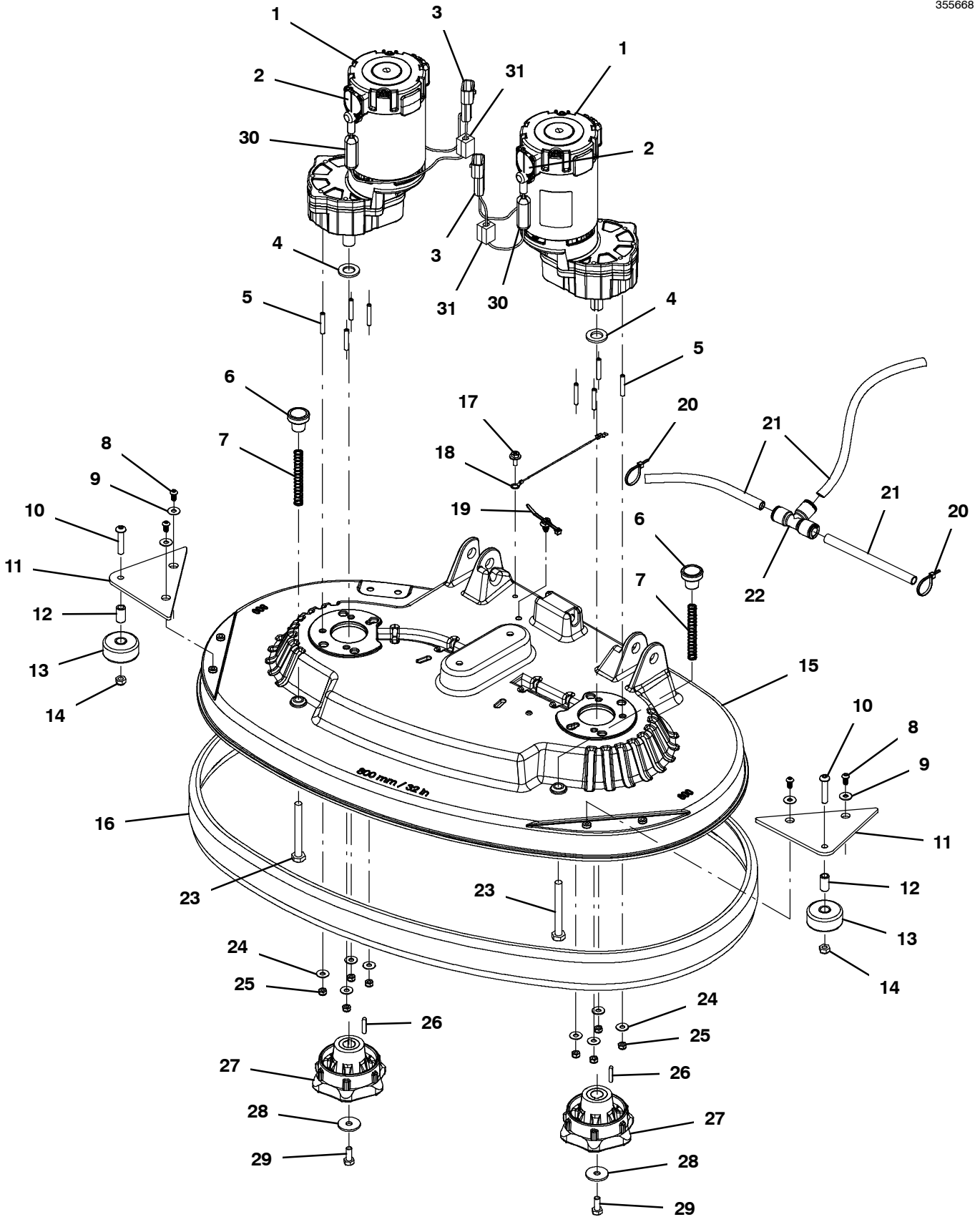
Ref.	Part No.	Serial Number	Description	Qty.
▽	1	1023067	(30000000- 40000000) Motor, Ele, 24vdc 0220rpm 0.75hp Gear (Australia Also Requires Ferrite Qty 2 #1227867 & Qty 1 #1065665)	2
▲	2	1031775	(30000000- 40000000) Brush Kit, Carbon, Motor, Replmt [T5]	1
▲	3	1031681	(30000000- 40000000) Harness, Connector, Brush- Motor [T5] Us	1
	4	1022549	(30000000- 40000000) Spacer, Shaft, 17.15b 30.0d 3.0l, Ss	2
	5	1025853	(30000000- 40000000) Screw, Set, M6 X 1.00 X 35, NI, Ss	8
	6	1222988	(30000000- 40000000) Knob, Rnd, 31.0d 27.0l M10, Plstc	2
	7	626081	(30000000- 40000000) Spring, Cmpr, 0.48od .04wir 03.5l	2
	8	1227865	(30000000- 40000000) Screw, Trs, M6 X 1.0 X 12, Phl, Ss, NI	4
	9	01684	(30000000- 40000000) Washer, Flat, 0.27b 0.69d .05, Ss	4
	10	397826	(30000000- 40000000) Screw, Btn, M8 X 1.25 X 40, Ss	2
	11	1227709	(30000000- 40000000) Bracket, Roller, Wall	2
	12	222496	(30000000- 40000000) Sleeve, P/M, 0.32b 0.50d 0.9l [430ss]	2
	13	222403	(30000000- 40000000) Wheel, 02.0d 0.88w 0.50b	2
	14	08713	(30000000- 40000000) Nut, Hex, Lock, M8 X 1.25, NI, Ss	2
	15	1234331	(30000000- 40000000) Housing, Disc, Dual, 70cm [Machined]	1
	16	1232325	(30000000- 40000000) Bumper, Head, 70cm, Skirt, Im	1
	17	1034731	(30000000- 40000000) Screw, Hex, M6 X 1.00 X 16, Sems, Ss	1
	18	1074344	(30000000- 40000000) Harness, Ele [Ring With .250m Tail]	1
	19	1210807	(30000000- 40000000) Wire, Tie [W/.25" Fir Tree Clip]	1
	20	130773	(30000000- 40000000) Tie, Cable, Nyl, 11.0l, .14w, 3.0 Max. D	2
	21	9014145	(30000000- 40000000) Hose, Afmkt, Pe, .375id .50od, 05ft	1
	22	1212858	(30000000- 40000000) Fitting, Plstc, Tee, Qf08/Qf08/Qf08	1
	23	09746	(30000000- 40000000) Screw, Hex, M10 X 1.50 X 90, Ss	2
	24	01684	(30000000- 40000000) Washer, Flat, 0.27b 0.69d .05, Ss	8
	25	08712	(30000000- 40000000) Nut, Hex, Lock, M6 X 1.00, NI, Ss	8
	26	1014328	(30000000- 40000000) Key, Sq, 05mm X 05mm, 25mml	2
	27	1071637	(30000000- 40000000) Hub, Drive, Brush, Disk, 17mmb	2
	28	1017218	(30000000- 40000000) Washer, Flat, 0.32b 1.00d .12, Ss	2
	29	12273	(30000000- 40000000) Screw, Hex, M8 X 1.25 X 20, NI, Ss	2
	30	1227867	(30000000- 40000000) Inductor, Ferrite [Split Case,407@100hz] (Australia Only)	4
	31	1065665	(30000000- 40000000) Inductor, 32.3mml [Ferrite 10- 250mhz] (Australia Only)	2

▽ ASSEMBLY

▲ INCLUDED IN ASSEMBLY

SCRUB HEAD GROUP, DISK 800MM / 32IN

355668



SCRUB HEAD GROUP, DISK 800MM / 32IN

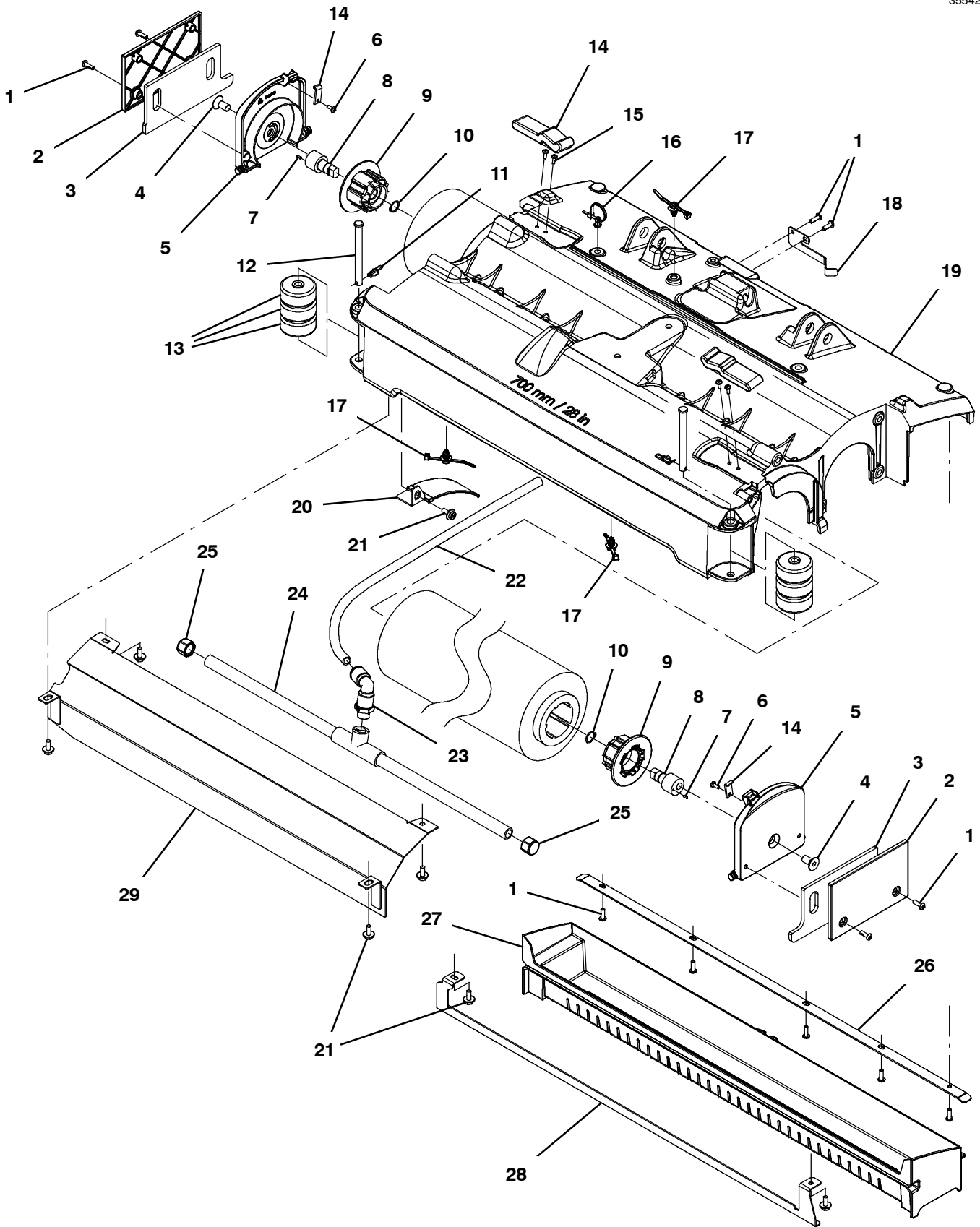
Ref.	Part No.	Serial Number	Description	Qty.
▽	1	1023067	(30000000- 40000000) Motor, Ele, 24vdc 0220rpm 0.75hp Gear (Australia Also Requires Ferrite Qty 2 #1227867 & Qty 1 #1065665)	2
▲	2	1031775	(30000000- 40000000) Brush Kit, Carbon, Motor, Replmt [T5]	1
▲	3	1031681	(30000000- 40000000) Harness, Connector, Brush- Motor [T5] Us	1
	4	1022549	(30000000- 40000000) Spacer, Shaft, 17.15b 30.0d 3.0l, Ss	2
	5	1025853	(30000000- 40000000) Screw, Set, M6 X 1.00 X 35, NI, Ss	8
	6	1222988	(30000000- 40000000) Knob, Rnd, 31.0d 27.0l M10, Plstc	2
	7	626081	(30000000- 40000000) Spring, Cmpr, 0.48od .04wir 03.5l	2
	8	1227865	(30000000- 40000000) Screw, Trs, M6 X 1.0 X 12, Phl, Ss, NI	4
	9	01684	(30000000- 40000000) Washer, Flat, 0.27b 0.69d .05, Ss	4
	10	397826	(30000000- 40000000) Screw, Btn, M8 X 1.25 X 40, Ss	2
	11	1227709	(30000000- 40000000) Bracket, Roller, Wall	2
	12	222496	(30000000- 40000000) Sleeve, P/M, 0.32b 0.50d 0.9l [430ss]	2
	13	222403	(30000000- 40000000) Wheel, 02.0d 0.88w 0.50b	2
	14	08713	(30000000- 40000000) Nut, Hex, Lock, M8 X 1.25, NI, Ss	2
	15	1234333	(30000000- 40000000) Housing, Disc, Dual, 80cm [Machined]	1
	16	1232326	(30000000- 40000000) Bumper, Head, 80cm, Skirt, Im	1
	17	1034731	(30000000- 40000000) Screw, Hex, M6 X 1.00 X 16, Sems, Ss	1
	18	1074344	(30000000- 40000000) Harness, Ele [Ring With .250m Tail]	1
	19	1210807	(30000000- 40000000) Wire, Tie [W/.25" Fir Tree Clip]	1
	20	130773	(30000000- 40000000) Tie, Cable, Nyl, 11.0l, .14w, 3.0 Max. D	2
	21	9014145	(30000000- 40000000) Hose, Afmkt, Pe, .375id .50od, 05ft	1
	22	1212858	(30000000- 40000000) Fitting, Plstc, Tee, Qf08/Qf08/Qf08	1
	23	09746	(30000000- 40000000) Screw, Hex, M10 X 1.50 X 90, Ss	2
	24	01684	(30000000- 40000000) Washer, Flat, 0.27b 0.69d .05, Ss	8
	25	08712	(30000000- 40000000) Nut, Hex, Lock, M6 X 1.00, NI, Ss	8
	26	1014328	(30000000- 40000000) Key, Sq, 05mm X 05mm, 25mml	2
	27	1071637	(30000000- 40000000) Hub, Drive, Brush, Disk, 17mmb	2
	28	1017218	(30000000- 40000000) Washer, Flat, 0.32b 1.00d .12, Ss	2
	29	12273	(30000000- 40000000) Screw, Hex, M8 X 1.25 X 20, NI, Ss	2
	30	1227867	(30000000- 40000000) Inductor, Ferrite [Split Case,407@100hz] (Australia Only)	4
	31	1065665	(30000000- 40000000) Inductor, 32.3mml [Ferrite 10- 250mhz] (Australia Only)	2

▽ ASSEMBLY

▲ INCLUDED IN ASSEMBLY

SCRUB HEAD GROUP, CYLINDRICAL 700MM / 28IN

355424

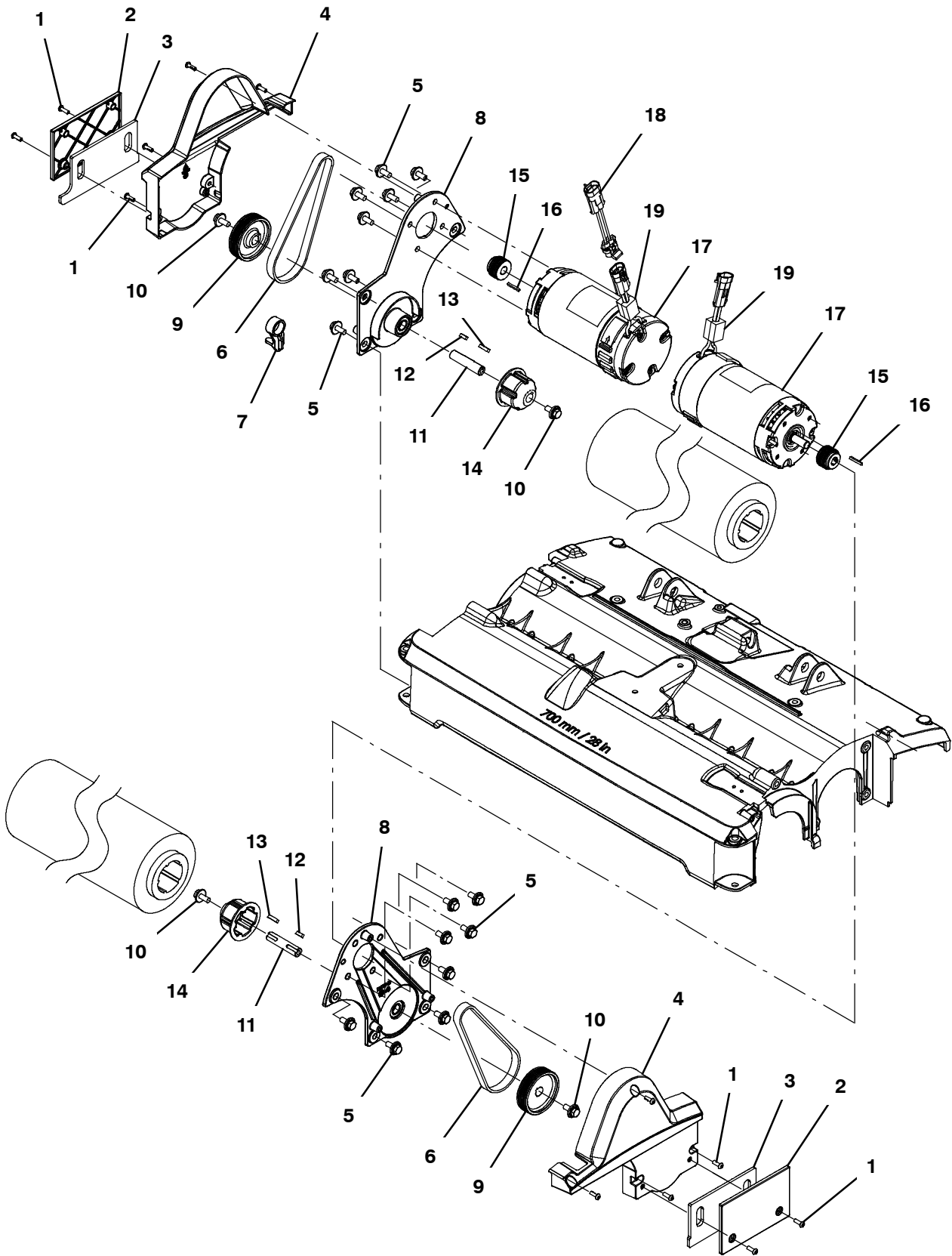


SCRUB HEAD GROUP, CYLINDRICAL 700MM / 28IN

Ref.	Part No.	Serial Number	Description	Qty.
1	1205799	(30000000- 40000000)	Screw, Btn, M5 X 0.8 X 16, 8.8, NI, Torx	2
2	1218032	(30000000- 40000000)	Cover, Skirt, 2cyl [T500]	2
3	1218573	(30000000- 40000000)	Skirt, Side, Scrub, Cyl [T500]	2
4	390996	(30000000- 40000000)	Screw, Flt, Soc, M10 X 1.50 X 20, 10.9, NI	2
5	1218692	(30000000- 40000000)	Door, Brush, 2cyl [Machined, T500]	1
6	49697	(30000000- 40000000)	Screw, Pan, Phl, M4 X 0.70 X 10, Ss	6
7	222184	(30000000- 40000000)	Pin, Roll, .094d X 0.25l, .094/.097	2
8	222177	(30000000- 40000000)	Shaft, Plug, Idler	2
9	1057629	(30000000- 40000000)	Plug, Idler, Brush [Sgl Brg]	2
10	01516	(30000000- 40000000)	Ring, Retaining, Ext, 0.59d, Basic	2
11	1216647	(30000000- 40000000)	Pin, Cotter, Hair, 0.38d .054 Wir	2
12	49914	(30000000- 40000000)	Pin, Clevis, 0.37d X 4.00l	2
13	630477	(30000000- 40000000)	Wheel, Pyu, 02.0d 0.38w, Gray	6
14	1207285	(30000000- 40000000)	Latch, Draw, Rbr, W/ Keeper, Yellow	2
15	49697	(30000000- 40000000)	Screw, Pan, Phl, M4 X 0.70 X 10, Ss	6
16	1221161	(30000000- 40000000)	Tie, Cable, Nyl, Push Mount, 76mm Max D	1
17	1210807	(30000000- 40000000)	Wire, Tie [W/.25" Fir Tree Clip]	3
18	1218242	(30000000- 40000000)	Bracket, Spring, Tray, Debris [T500]	1
19	1217942	(30000000- 40000000)	Housing, Cyl, 70cm [Machined]	1
20	1029358	(30000000- 40000000)	Deflector, Water, Cyl Head	1
21	1034731	(30000000- 40000000)	Screw, Hex, M6 X 1.00 X 16, Sems, Ss	7
22	9014145	(30000000- 40000000)	Hose, Afrmkt, Pe, .375id .50od, 05ft	1
23	1212987	(30000000- 40000000)	Fitting, Plstc, E90, Qf08/Pm06, Swivel	1
24	1046049	(30000000- 40000000)	Tube Assy, Bar, Spray, 70cm [T5, 5680]	1
25	1025580	(30000000- 40000000)	Fitting, Pipe, Cap, P06, Nyl	2
26	1218153	(30000000- 40000000)	Bracket, Tray, Debris [T500]	1
27	1218144	(30000000- 40000000)	Tray, Debris, 700mm [Im] [Rhine]	1
28	1218577	(30000000- 40000000)	Bracket, Slide, Tray, Debris	1
29	1219969	(30000000- 40000000)	Panel Wldt, Wrap, Brush [T500]	1

SCRUB HEAD GROUP, CYLINDRICAL 700MM / 28IN - CONT'D

355430



SCRUB HEAD GROUP, CYLINDRICAL 700MM / 28IN - CONT'D

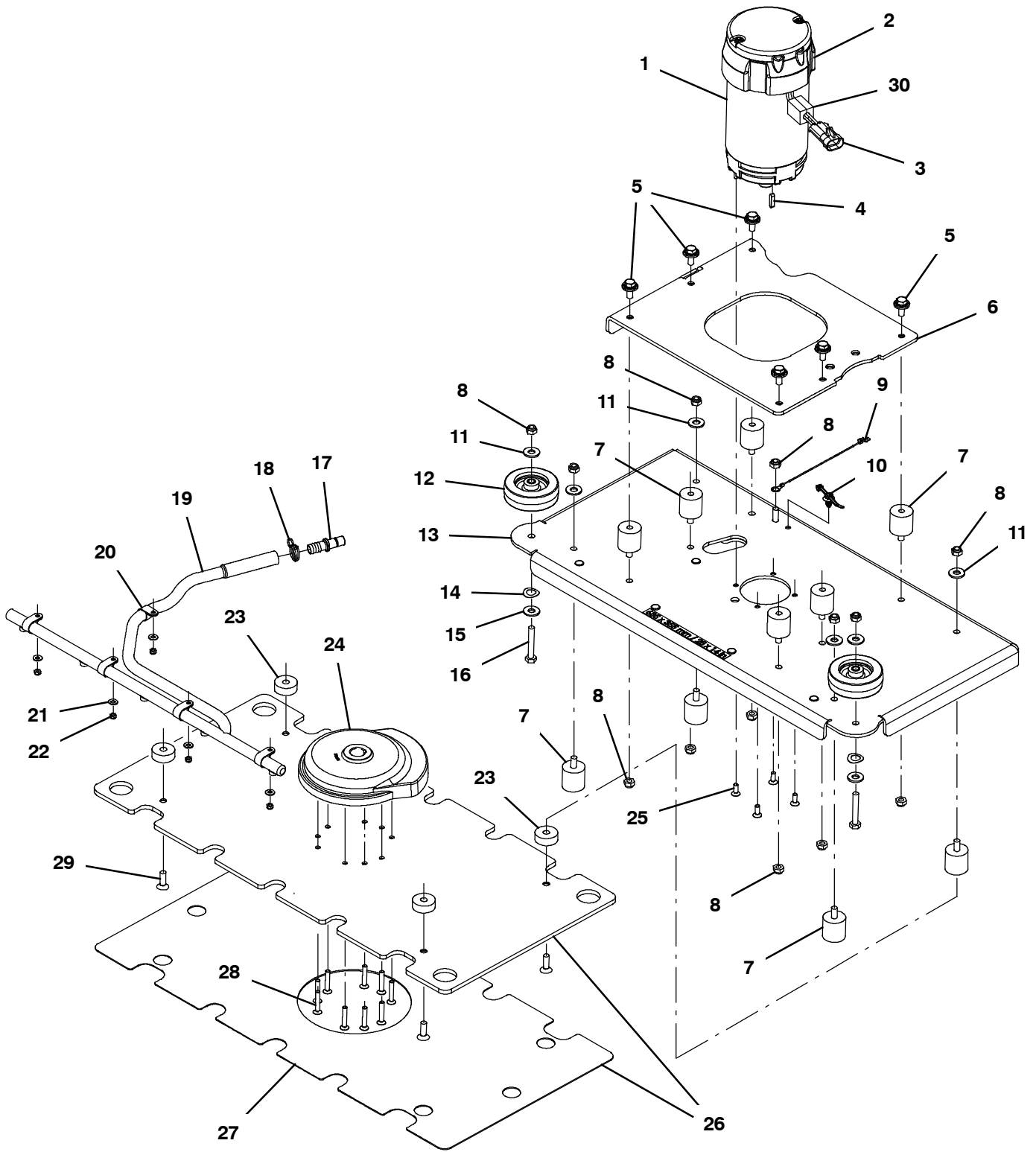
Ref.	Part No.	Serial Number	Description	Qty.
1	1205799	(30000000- 40000000)	Screw, Btn, M5 X 0.8 X 16, 8.8, NI, Torx	12
2	1218032	(30000000- 40000000)	Cover, Skirt, 2cyl [T500]	2
3	1218573	(30000000- 40000000)	Skirt, Side, Scrub, Cyl [T500]	2
4	1218012	(30000000- 40000000)	Cover, Belt, 2 Cyl [T500]	2
5	1020341	(30000000- 40000000)	Screw, Hex, M8 X 1.25 X 20, Ss, Sems	16
▽	6	9015765	(30000000- 40000000) Belt Replacement Kit (Cylindrical)	1
▲		1035888	(30000000- 40000000) Belt, Drive, 6grv, 508 L X 14 W, [6pj]	2
▲	7	1203758	(30000000- 40000000) Tool, Installation, Belt	1
▽	8	9018012	(30000000- 40000000) Bracket Assy, Motor, Ci (Includes Bearings And Tube - Not Available Separately)	2
▲	9	1035173	(30000000- 40000000) Sheave, 06grv, 2.96pd 0.59b, Alm [Pj]	1
▲	10	1020341	(30000000- 40000000) Screw, Hex, M8 X 1.25 X 20, Ss, Sems	2
▲	11	1021050	(30000000- 40000000) Shaft, Drive, 15.0d X 65.5l [T5, 1610]	1
▲	12	00961	(30000000- 40000000) Key, Sq, 0.19 X 0.19, 0.50l	1
▲	13	00911	(30000000- 40000000) Key, Sq, 0.19 X 0.19, 0.75l	1
▲	14	378805	(30000000- 40000000) Plug, Drive, Brush, Mach	1
	15	1033528	(30000000- 40000000) Sheave, 06grv, 1.33pd 0.50b, Alm [Pj]	2
	16	00954	(30000000- 40000000) Key, Sq, 0.12 X 0.12, 1.00l	2
▽	17	1223429	(30000000- 40000000) Motor, Ele, 24vdc 1500rpm 0.60hp (Australia Also Requires Qty 1 Ferrite #1065665)	2
▲		1031775	(30000000- 40000000) Brush Kit, Carbon, Motor, Replmt [T5]	1
	18	1052895	(30000000- 40000000) Harness, Adapter, Motor [T7/T5]	1
	19	1065665	(30000000- 40000000) Inductor, 32.3mml [Ferrite 10- 250mhz] (Australia Only)	2

▽ ASSEMBLY

▲ INCLUDED IN ASSEMBLY

SCRUB HEAD GROUP, ORBITAL 700MM / 28IN

355425



SCRUB HEAD GROUP, ORBITAL 700MM / 28IN

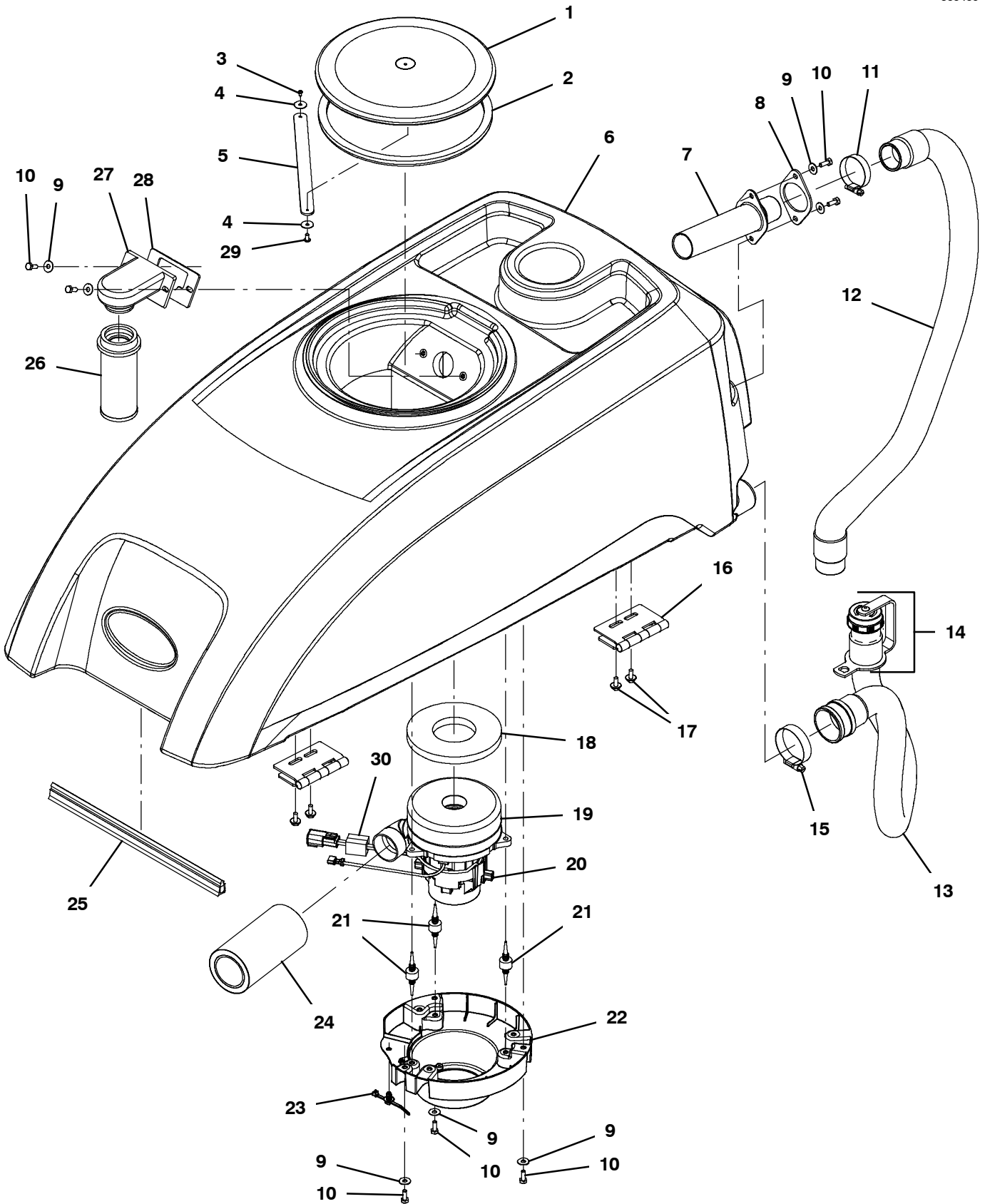
Ref.	Part No.	Serial Number	Description	Qty.
▽	1	1219913	(30000000- 40000000) Motor, Ele, 24vdc, 2200rpm, 0.75hp 28.0a (Australia Also Requires Qty 1 Ferrite #1065665)	1
▲	2	1059370	(30000000- 40000000) Brush, Motor, Replmt [Bag Of 4]	1
▲	3	1031681	(30000000- 40000000) Harness, Connector, Brush- Motor [T5] Us	1
	4	1231238	(30000000- 40000000) Key, Sq, 5mm X 5mm X 22mm	1
	5	1020341	(30000000- 40000000) Screw, Hex, M8 X 1.25 X 20, Ss, Sems	6
	6	1220910	(30000000- 40000000) Bracket Wldt, Mtg, Head	1
	7	1212543	(30000000- 40000000) Isolator, Neoprene, 1.25" X 1.25", M8	13
	8	08713	(30000000- 40000000) Nut, Hex, Lock, M8 X 1.25, NI, Ss	1
	9	1074344	(30000000- 40000000) Harness, Ele [Ring With .250m Tail]	1
	10	1210807	(30000000- 40000000) Wire, Tie [W/.25" Fir Tree Clip]	1
	11	01685	(30000000- 40000000) Washer, Flat, 0.38b 0.88d .08, Ss	6
	12	1014918	(30000000- 40000000) Wheel, 03.0d 0.88w 0.31b, W/ Bshg, Rbr	2
	13	1221766	(30000000- 40000000) Housing Wldt, Brush	1
	14	1210221	(30000000- 40000000) Washer, Wave, .515b, .875d, .013, Ss	2
	15	01685	(30000000- 40000000) Washer, Flat, 0.38b 0.88d .08, Ss	2
	16	49694	(30000000- 40000000) Screw, Hex, M8 X 1.25 X 50, Ss	2
	17	1212807	(30000000- 40000000) Fitting, Plstc, Str, Qm08/Bm08	1
	18	607776	(30000000- 40000000) Clamp, Hose, Wir, .73 - .77, Silver	1
	19	1234853	(30000000- 40000000) Manifold, Bar, Spray [28in]	1
	20	140916	(30000000- 40000000) Clamp, Cable, Nyl, 0.62d, Nat	5
	21	01683	(30000000- 40000000) Washer, Flat, 10, Ss	4
	22	09739	(30000000- 40000000) Nut, Hex, Lock, M5 X 0.80, NI, Ss	4
	23	1221850	(30000000- 40000000) Spacer, Head	4
	24	9015774	(30000000- 40000000) Eccentric Drive Kit, Orbital	1
	25	09163	(30000000- 40000000) Screw, Flt, Soc, M6 X 1.00 X 16, 18- 8,Ss	4
▽	26	9015416	(30000000- 40000000) Driver Kit, Pad, Ci [T500] (Includes Driver Plate, Driver Face, & Red Buffing Pad)	1
▲	27	1220627	(30000000- 40000000) Face, Pad Driver	1
	28	1212710	(30000000- 40000000) Screw, Flt, Soc, M6 X 1.00 X 35, 10.9,NI	6
	29	74077	(30000000- 40000000) Screw, Flt, Soc, M8 X 1.25 X 25, Ss	4
	30	1065665	(30000000- 40000000) Inductor, 32.3mml [Ferrite 10- 250mhz] (Australia Only)	1

▽ ASSEMBLY

▲ INCLUDED IN ASSEMBLY

RECOVERY TANK GROUP, STANDARD SCREW CAP

355459



RECOVERY TANK GROUP, STANDARD SCREW CAP

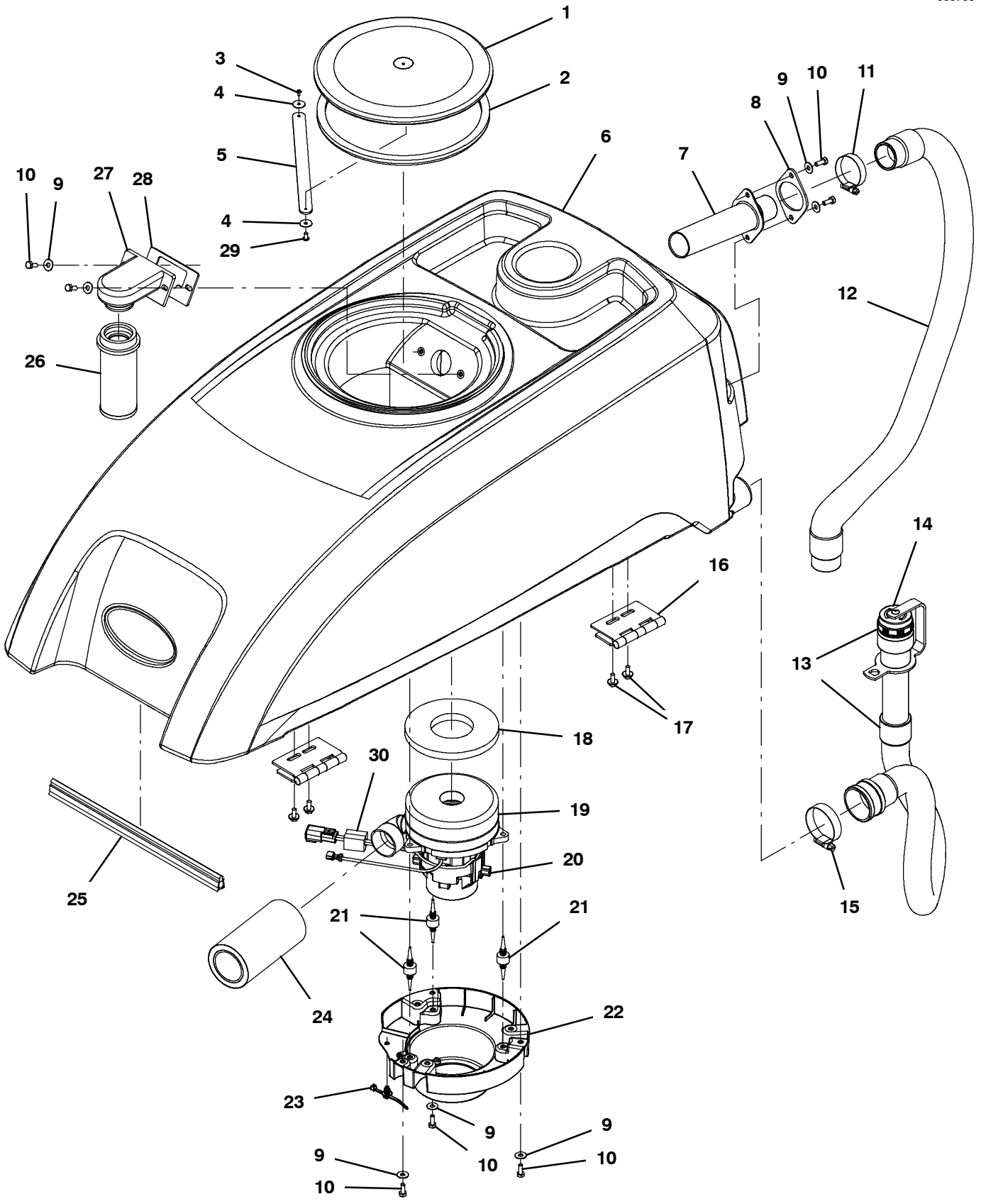
Ref.	Part No.	Serial Number	Description	Qty.
▽	1	9015754	(30000000- 40000000) Kit, Cover, Recvy, Ci [Ce,T500e]	1
▲	2	1017959	(30000000- 40000000) Seal, Bulb, Str, 0.50h .50w 032.0l, Adh	1
	3	3701.6	(30000000- 40000000) Screw, Pan, Phl, 06- 32 X 0.38, Shtmtl,Ss	1
	4	1009168	(30000000- 40000000) Washer, Flat, 0.17b 0.75d .04, Ss	2
	5	1001005	(30000000- 40000000) Strap, Retaining, Cover	1
	6	9015761	(30000000- 40000000) Kit, Tank, Recvy, Ci [T500e]	1
	7	1021214	(30000000- 40000000) Tube, Hose, Adapter, 1.5d [T5]	1
	8	1024602	(30000000- 40000000) Gasket, Neo, .13, 1.97id, 2/3.2bc, Adh	1
	9	01684	(30000000- 40000000) Washer, Flat, 0.27b 0.69d .05, Ss	7
	10	11329	(30000000- 40000000) Screw, Hex, M6 X 1.00 X 16, NI, Ss	7
	11	11531	(30000000- 40000000) Clamp, Hose, Wormdrive, 1.06- 2.00d, .56w	1
	12	1211220	(30000000- 40000000) Hose Assy,W/2cuff,1.5d 022l 1.5/1.5[Pvc] (Black - Standard)	1
	12	1224414	(30000000- 40000000) Hose Assy, W/2cuff,1.5d 033l 1.5/1.5[Pu] (Gray - Option)	1
▽	13	1228252	(30000000- MAY2020) Hose Assy, Drain, 1.5d 014l 2/1.5cap Pvc (Black - Standard) (Replaced by 1248221 - Pinch Cuff Screw Cap Style)	1
▲▽	14	1218955	(30000000- 40000000) Cap, Drain Assy [Black]	1
▲▲		1008637	(30000000- 40000000) Seal, Org, 1.48id 1.76od	1
▽	13	1228242	(30000000- xxxxxxxx) Hose Assy, Drain, 1.5d 024l 2/1.5cap[Pu] (Gray - Option) (No Longer Available - Replaced by 1247144)	1
▲▽	14	1219134	(30000000- 40000000) Cap, Drain Assy [Gray]	1
▲▲		1008637	(30000000- 40000000) Seal, Org, 1.48id 1.76od	1
	15	22297	(30000000- 40000000) Clamp, Hose, Wormdrive, 1.56- 2.50d, .50w	1
	16	1217669	(30000000- 40000000) Hinge Assy, 7.0 Pin, 11 Ga, 100l X 105w	1
	17	1034731	(30000000- 40000000) Screw, Hex, M6 X 1.00 X 16, Sems, Ss	4
	18	100038	(30000000- 40000000) Gasket, .50, 02.63id 05.75od, Adh [Epdm]	1
▽	19	1219312	(30000000- 40000000) Fan, Vacuum, 5.7d, 024vdc, 2 Stage (Australia Also Requires Qty 1 Ferrite #1065665)	1
▲	20	372883	(30000000- 40000000) Vr, Brush Kit, Motor, Ele	1
	21	1062016	(30000000- 40000000) Isolator, Vib, .75d	3
	22	1207368	(30000000- 40000000) Mount, Vacfan, 5.7/6.6	1
	23	1210807	(30000000- 40000000) Wire, Tie [W/.25" Fir Tree Clip]	1
	24	1068577	(30000000- 40000000) Muffler, Exhaust, Vacfan, 150mml [T2/T3]	1
	25	1066431	(30000000- 40000000) Seal, Afmkt, Bulb, Dual, 03ft [F/.30gap]	1
	26	630052	(30000000- 40000000) Float, Shut- Off, (2)Ball, 1.75d	1
	27	630053	(30000000- 40000000) Mount, Cage, Float [20.0 Scrubber]	1
	28	630255	(30000000- 40000000) Gasket, Float, Mount	1
	29	606915	(30000000- 40000000) Screw, Pan, Phl, 10- 16 X 0.38, Tcut, Ss	1
	30	1065665	(30000000- 40000000) Inductor, 32.3mml [Ferrite 10- 250mhz] (Australia Only)	1

▽ ASSEMBLY

▲ INCLUDED IN ASSEMBLY

RECOVERY TANK GROUP, PINCH CUFF SCREW CAP

355733



RECOVERY TANK GROUP, PINCH CUFF SCREW CAP

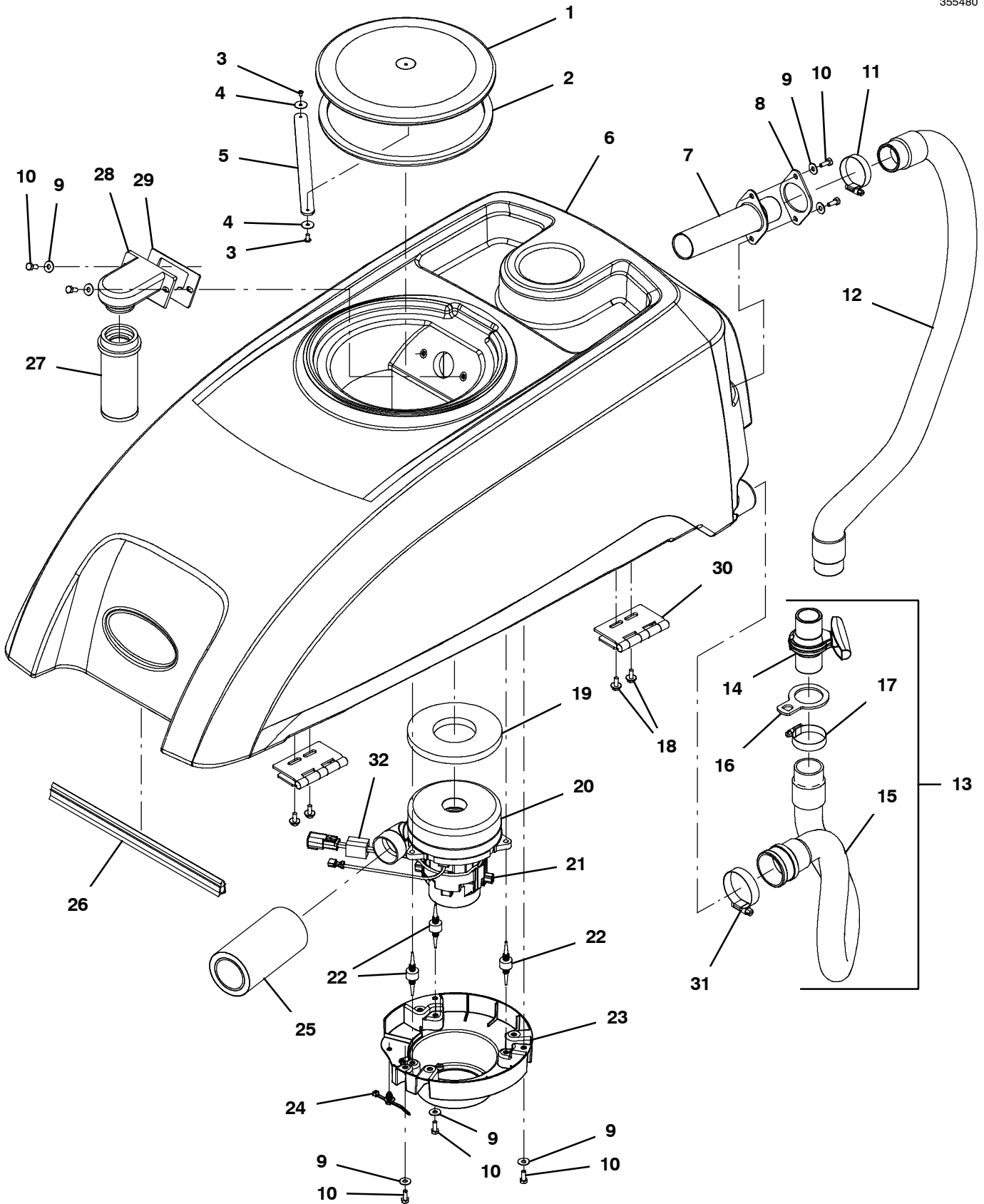
Ref.	Part No.	Serial Number	Description	Qty.
▽	1	9015754	(30000000- 40000000) Kit, Cover, Recvy, Ci [Ce,T500e]	1
▲	2	1017959	(30000000- 40000000) Seal, Bulb, Str, 0.50h .50w 032.0l, Adh	1
	3	3701.6	(30000000- 40000000) Screw, Pan, Phl, 06- 32 X 0.38, Shtmtl,Ss	1
	4	1009168	(30000000- 40000000) Washer, Flat, 0.17b 0.75d .04, Ss	2
	5	1001005	(30000000- 40000000) Strap, Retaining, Cover	1
	6	9015761	(30000000- 40000000) Kit, Tank, Recvy, Ci [T500e]	1
	7	1021214	(30000000- 40000000) Tube, Hose, Adapter, 1.5d [T5]	1
	8	1024602	(30000000- 40000000) Gasket, Neo, .13, 1.97id, 2/3.2bc, Adh	1
	9	01684	(30000000- 40000000) Washer, Flat, 0.27b 0.69d .05, Ss	7
	10	11329	(30000000- 40000000) Screw, Hex, M6 X 1.00 X 16, Nl, Ss	7
	11	11531	(30000000- 40000000) Clamp, Hose, Wormdrive, 1.06- 2.00d, .56w	1
	12	1224414	(30000000- 40000000) Hose Assy, W/2cuff,1.5d 033l 1.5/1.5[Pu] (Gray - Option)	1
▽	13	1247144	(xxxxxxx- 40000000) Hose Assy, Drain, 1.5id X 21.0l [Pu] (Gray - Option)	1
▲▽	14	1219134	(30000000- 40000000) Cap, Drain Assy [Gray]	1
▲▲	1008637	(30000000- 40000000) Seal, Org, 1.48id 1.76od	1	
	15	22297	(30000000- 40000000) Clamp, Hose, Wormdrive, 1.56- 2.50d, .50w	1
	16	1217669	(30000000- 40000000) Hinge Assy, 7.0 Pin, 11 Ga, 100l X 105w	1
	17	1034731	(30000000- 40000000) Screw, Hex, M6 X 1.00 X 16, Sems, Ss	4
	18	100038	(30000000- 40000000) Gasket, .50, 02.63id 05.75od, Adh [Epdm]	1
▽	19	1219312	(30000000- 40000000) Fan, Vacuum, 5.7d, 024vdc, 2 Stage (Australia Also Requires Qty 1 Ferrite #1065665)	1
▲	20	372883	(30000000- 40000000) Vr, Brush Kit, Motor, Ele	1
	21	1062016	(30000000- 40000000) Isolator, Vib, .75d	3
	22	1207368	(30000000- 40000000) Mount, Vacfan, 5.7/6.6	1
	23	1210807	(30000000- 40000000) Wire, Tie [W/.25" Fir Tree Clip]	1
	24	1068577	(30000000- 40000000) Muffler, Exhaust, Vacfan, 150mml [T2/T3]	1
	25	1066431	(30000000- 40000000) Seal, Afrmkt, Bulb, Dual, 03ft [F/.30gap]	1
	26	630052	(30000000- 40000000) Float, Shut- Off, (2)Ball, 1.75d	1
	27	630053	(30000000- 40000000) Mount, Cage, Float [20.0 Scrubber]	1
	28	630255	(30000000- 40000000) Gasket, Float, Mount	1
	29	606915	(30000000- 40000000) Screw, Pan, Phl, 10- 16 X 0.38, Tcut, Ss	1
	30	1065665	(30000000- 40000000) Inductor, 32.3mml [Ferrite 10- 250mhz] (Australia Only)	1

▽ ASSEMBLY

▲ INCLUDED IN ASSEMBLY

RECOVERY TANK GROUP, CONTROL VALVE (JAPAN)

355480



RECOVERY TANK GROUP, CONTROL VALVE (JAPAN)

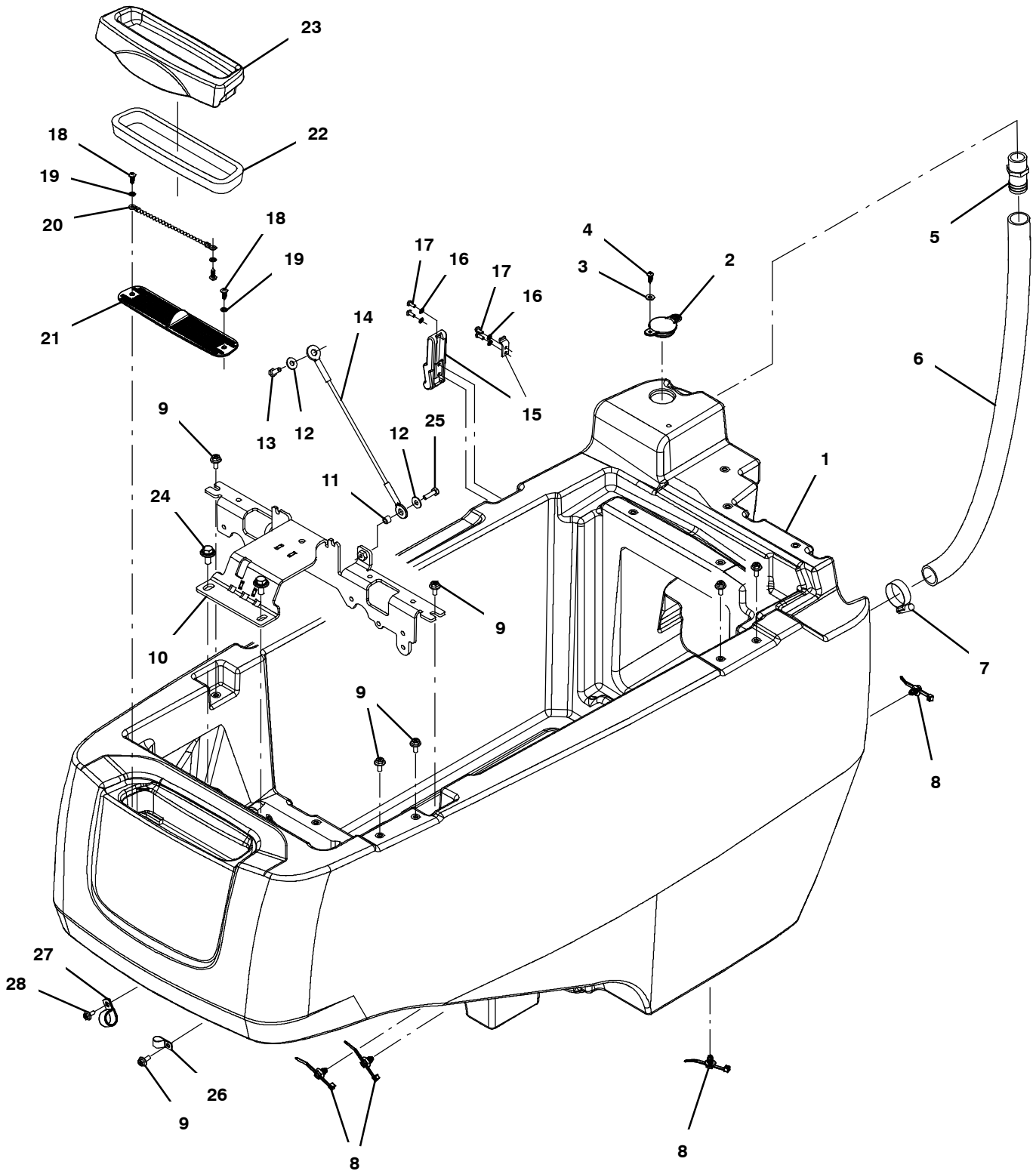
Ref.	Part No.	Serial Number	Description	Qty.
▽	1	9015755	(30000000- 40000000) Kit, Cover, Recvy, Ci [Jp,T500e]	1
▲	2	1017959	(30000000- 40000000) Seal, Bulb, Str, 0.50h .50w 032.0l, Adh	1
	3	3701.6	(30000000- 40000000) Screw, Pan, Phl, 06- 32 X 0.38, Shtmtl,Ss	2
	4	1009168	(30000000- 40000000) Washer, Flat, 0.17b 0.75d .04, Ss	2
	5	1001005	(30000000- 40000000) Strap, Retaining, Cover	1
	6	9015761	(30000000- 40000000) Kit, Tank, Recvy, Ci [T500e]	1
	7	1021214	(30000000- 40000000) Tube, Hose, Adapter, 1.5d [T5]	1
	8	1024602	(30000000- 40000000) Gasket, Neo, .13, 1.97id, 2/3.2bc, Adh	1
	9	01684	(30000000- 40000000) Washer, Flat, 0.27b 0.69d .05, Ss	7
	10	11329	(30000000- 40000000) Screw, Hex, M6 X 1.00 X 16, NI, Ss	7
	11	11531	(30000000- 40000000) Clamp, Hose, Wormdrive, 1.06- 2.00d, .56w	1
	12	1224414	(30000000- 40000000) Hose Assy, W/2cuff,1.5d 033l 1.5/1.5[Pu] (Gray)	1
▽	13	9015727	(30000000- xxxxxxxx) Hose Kit, Drain, Pu, W/ Valve, Ci[T500e] (Gray) (No Longer Available - Replaced by Gray Pinch Cuff Screw Cap 1247144)	1
▲	14	1051986	(30000000- xxxxxxxx) Valve, Ball, 2way, 1.0id Pvc, W/Handle (No Longer Available - Replaced by Gray Pinch Cuff Screw Cap 1247144)	1
▲	15	1228335	(30000000- xxxxxxxx) Hose Assy, W/2cuff,1.5d 022l 2.0/1.5[Pu] (Gray) (No Longer Available - Replaced by Gray Pinch Cuff Screw Cap 1247144)	
▲	16	1229567	(30000000- 40000000) Strap, Hanger	1
▲	17	11531	(30000000- 40000000) Clamp, Hose, Wormdrive, 1.06- 2.00d, .56w	1
	18	1034731	(30000000- 40000000) Screw, Hex, M6 X 1.00 X 16, Sems, Ss	4
	19	100038	(30000000- 40000000) Gasket, .50, 02.63id 05.75od, Adh [Epdm]	1
▽	20	1219312	(30000000- 40000000) Fan, Vacuum, 5.7d, 024vdc, 2 Stage (Australia Also Require Ferrite)	1
▲	21	372883	(30000000- 40000000) Vr, Brush Kit, Motor, Ele	1
	22	1062016	(30000000- 40000000) Isolator, Vib, .75d	3
	23	1207368	(30000000- 40000000) Mount, Vacfan, 5.7/6.6	1
	24	1210807	(30000000- 40000000) Wire, Tie [W/.25" Fir Tree Clip]	1
	25	1068577	(30000000- 40000000) Muffler, Exhaust, Vacfan, 150mml [T2/T3]	1
	26	1066431	(30000000- 40000000) Seal, Afrmkt, Bulb, Dual, 03ft [F/.30gap]	1
	27	630052	(30000000- 40000000) Float, Shut- Off, (2)Ball, 1.75d	1
	28	630053	(30000000- 40000000) Mount, Cage, Float [20.0 Scrubber]	1
	29	630255	(30000000- 40000000) Gasket, Float, Mount	1
	30	1217669	(30000000- 40000000) Hinge Assy, 7.0 Pin, 11 Ga, 100l X 105w	1
	31	22297	(30000000- 40000000) Clamp, Hose, Wormdrive, 1.56- 2.50d, .50w	1
	32	1065665	(30000000- 40000000) Inductor, 32.3mml [Ferrite 10- 250mhz] (Australia Only)	1

▽ ASSEMBLY

▲ INCLUDED IN ASSEMBLY

SOLUTION TANK GROUP

355458

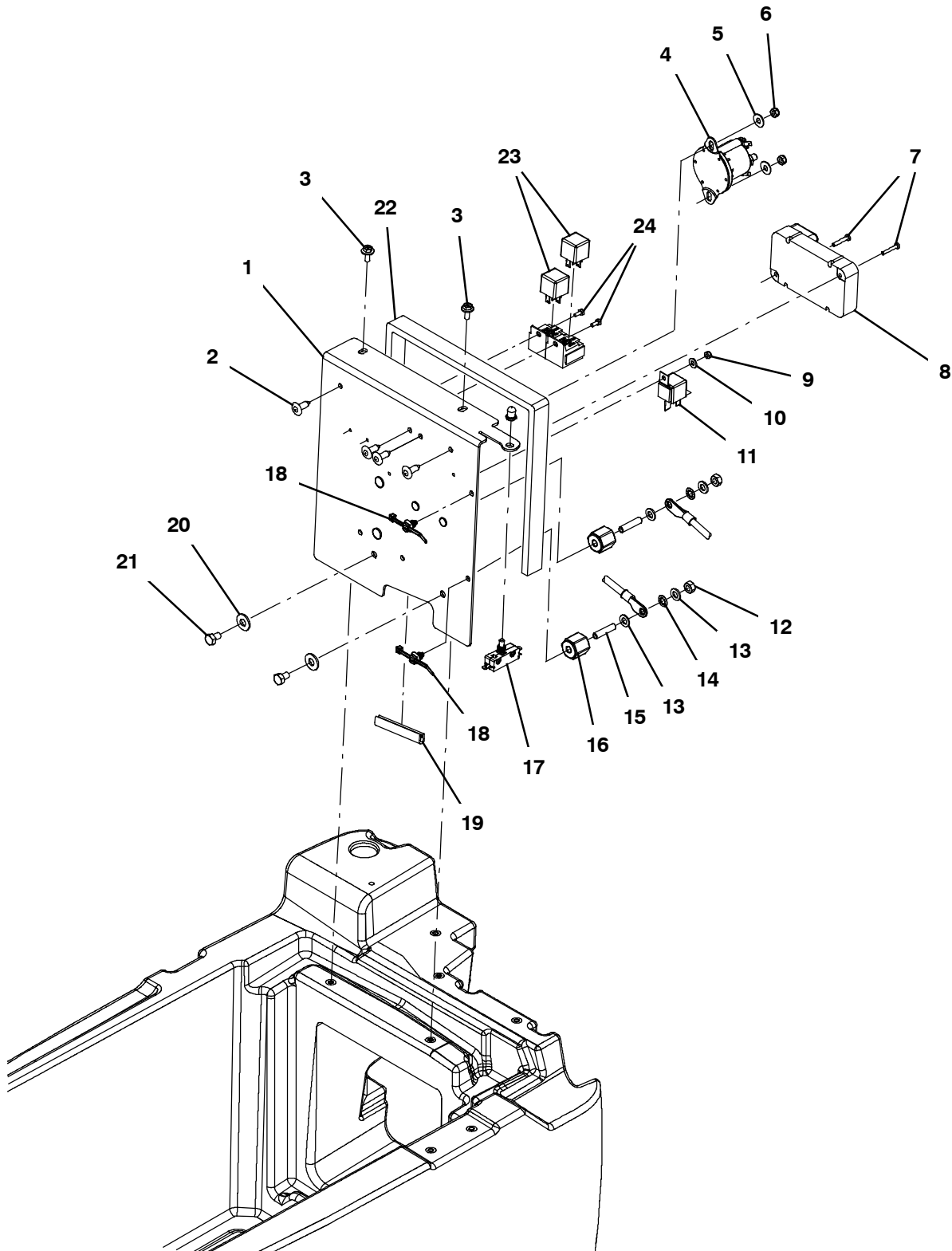


SOLUTION TANK GROUP

Ref.	Part No.	Serial Number	Description	Qty.
1	1223932	(30000000- 40000000)	Tank, Solution, Trimmed [T500e]	1
2	1012965	(30000000- 40000000)	Cap, Port, Soltn Fill	1
3	01683	(30000000- 40000000)	Washer, Flat, 10, Ss	1
4	1018155	(30000000- 40000000)	Screw, Pan, Phl, M5 X 0.80 X 16, Tcut, Ss	1
5	1041082	(30000000- 40000000)	Fitting, Plstc, Str, Bm16/Pm12	1
6	9015728	(30000000- 40000000)	Hose Kit, Drain, Soln, Ci [T500/T500e]	1
7	11399	(30000000- 40000000)	Clamp, Hose, Wormdrive, 0.81- 1.50d, .50w	1
8	1210807	(30000000- 40000000)	Wire, Tie [W/.25" Fir Tree Clip]	4
9	1034731	(30000000- 40000000)	Screw, Hex, M6 X 1.00 X 16, Sems, Ss	7
10	1221012	(30000000- 40000000)	Bracket Wldt, Actuator	1
11	140154	(30000000- 40000000)	Sleeve, P/M, 0.25b 0.38d 0.3l, PI	1
12	01684	(30000000- 40000000)	Washer, Flat, 0.27b 0.69d .05, Ss	2
13	11329	(30000000- 40000000)	Screw, Hex, M6 X 1.00 X 16, NI, Ss	1
14	1221803	(30000000- 40000000)	Cable, Glv .13d 10.5l .38eye /.38eye	1
15	1207285	(30000000- 40000000)	Latch, Draw, Rbr, W/ Keeper, Yellow	1
16	02938	(30000000- 40000000)	Washer, Lock, Int, 08, Ss	4
17	49697	(30000000- 40000000)	Screw, Pan, Phl, M4 X 0.70 X 10, Ss	4
18	1018155	(30000000- 40000000)	Screw, Pan, Phl, M5 X 0.80 X 16, Tcut, Ss	3
19	07514	(30000000- 40000000)	Washer, Lock, Int, 10, Ss	3
20	621443	(30000000- 40000000)	Chain, Ball, 10, 0157mml, Ss	1
21	1219917	(30000000- 40000000)	Screen, Fltr, 2.0 X 8.7	1
22	9015758	(30000000- 40000000)	Seal, Tank, Soltn, Ci [T500/T500e]	1
23	9015788	(30000000- 40000000)	Kit, Cover, Fill [T500/T500e Ce]	1
23	9015789	(30000000- 40000000)	Kit, Cover, Fill [T500/T500e Ce][Ech2o]	1
23	1218043	(30000000- 40000000)	Cover, Fill, Front (Japan Non ec- H2O Models)	1
23	9015759	(30000000- 40000000)	Kit, Cover, Fill [T500/T500e] (Japan ec- H2O Models)	1
24	1020341	(30000000- 40000000)	Screw, Hex, M8 X 1.25 X 20, Ss, Sems	2
25	12277	(30000000- 40000000)	Screw, Hex, M6 X 1.00 X 20, NI, Ss	1
26	140300	(30000000- 40000000)	Clamp, Cable, Stl, 0.50d [Insulated]	1
27	40678- 1	(30000000- 40000000)	Clamp, Cable, Stl, 0.88d X 0.62w, 1hole (Non ABW Models)	1
28	1034731	(30000000- 40000000)	Screw, Hex, M6 X 1.00 X 16, Sems, Ss (Non ABW Models)	1

STANDARD ELECTRICAL GROUP

355465



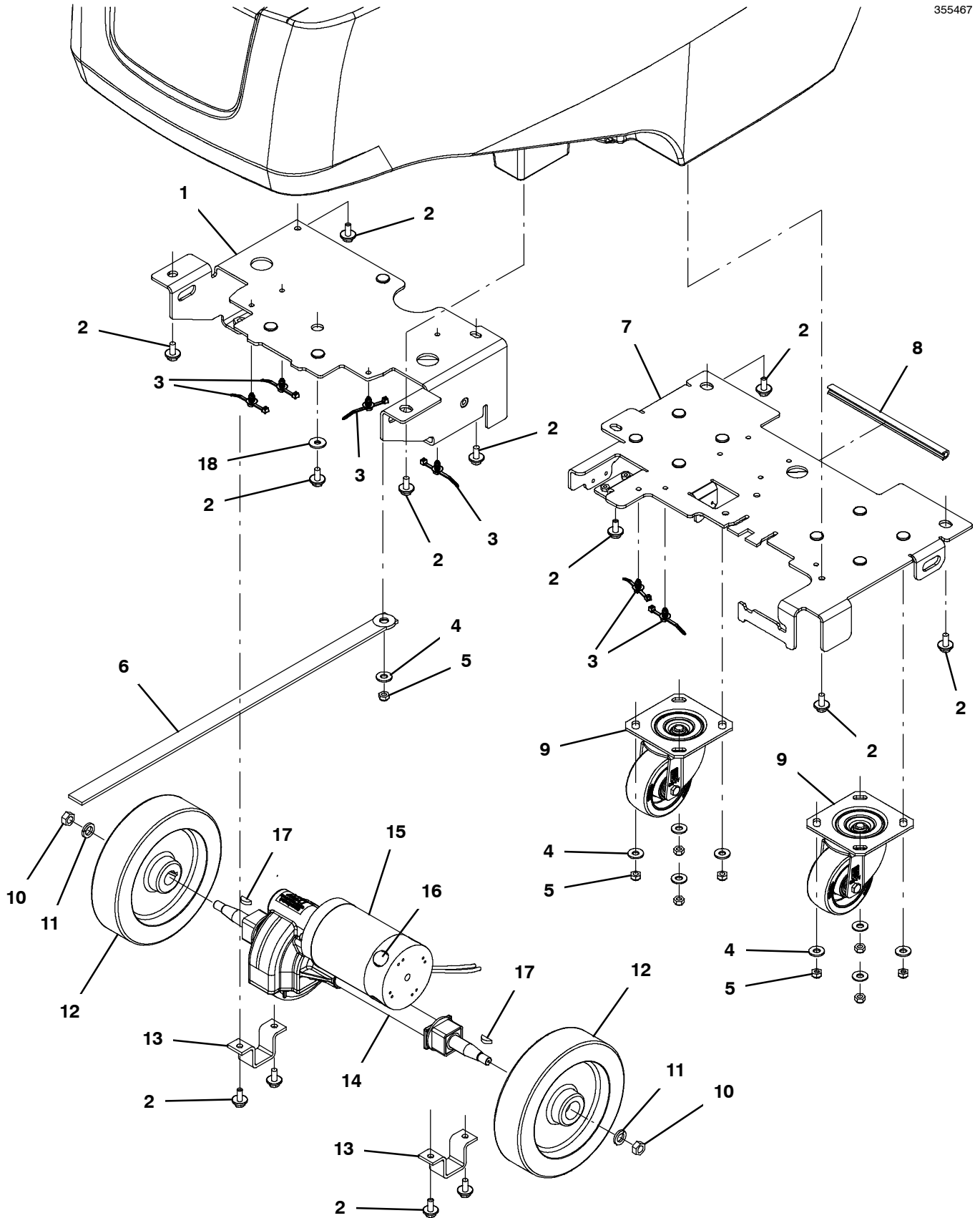
STANDARD ELECTRICAL GROUP

Ref.	Part No.	Serial Number	Description	Qty.
1	1224001	(30000000- 40000000)	Bracket Wldt, Mtg, Ele [T500e]	1
2	140262	(30000000- 40000000)	Clip, Snap- In	4
3	1034731	(30000000- 40000000)	Screw, Hex, M6 X 1.00 X 16, Sems, Ss	2
4	1066409	(30000000- 40000000)	Relay, 24vdc, 150a, No [Trombetta]	1
5	01684	(30000000- 40000000)	Washer, Flat, 0.27b 0.69d .05, Ss	2
6	08712	(30000000- 40000000)	Nut, Hex, Lock, M6 X 1.00, NI, Ss	2
7	1073600	(30000000- 40000000)	Screw, Pan, M4 X 0.7 X 25, Fmg	2
8	9015776*	(30000000- 40000000)	Drive Module Kit, Ci	1
9	09739	(30000000- 40000000)	Nut, Hex, Lock, M5 X 0.80, NI, Ss	1
10	01683	(30000000- 40000000)	Washer, Flat, 10, Ss	1
11	1228510	(30000000- 40000000)	Relay, 24vdc, 80a, Spst No, Plug- In	1
12	41361	(30000000- 40000000)	Nut, Hex, Std, M8 X 1.25, Brs	1
13	1209373	(30000000- 40000000)	Washer, Flat, M8.4b X 16d X 1.6, Brs	2
14	43952	(30000000- 40000000)	Washer, Lock, Int, 0.31, Ss	4
15	607461	(30000000- 40000000)	Screw, Set, M8 X 1.25 X 35, NI	2
16	1205345	(30000000- 40000000)	Stand- Off, Wir, M8, Insulator, Panel	2
17	1071996	(30000000- 40000000)	Switch, Push, Snap Action, 25a	1
18	1210807	(30000000- 40000000)	Wire, Tie [W/.25" Fir Tree Clip]	2
19	1020174	(30000000- 40000000)	Molding, Afrmkt, Trim, Pvc, .08 .11, 03ft	1
20	01685	(30000000- 40000000)	Washer, Flat, 0.38b 0.88d .08, Ss	2
21	386868	(30000000- 40000000)	Screw, Hex, M8 X 1.25 X 12, Ss	2
22	1219045	(30000000- 40000000)	Gasket, Cover, Circuitboard	1
23	49309	(30000000- 40000000)	Relay, 24vdc, 015a, Spdt No	2
24	16944	(30000000- 40000000)	Screw, Hex, M4 X 0.70 X 10, Fmg	2

* Requires Tennant *True* service or an authorized Tennant service provider.

FRAME AND DRIVE GROUP

355467



FRAME AND DRIVE GROUP

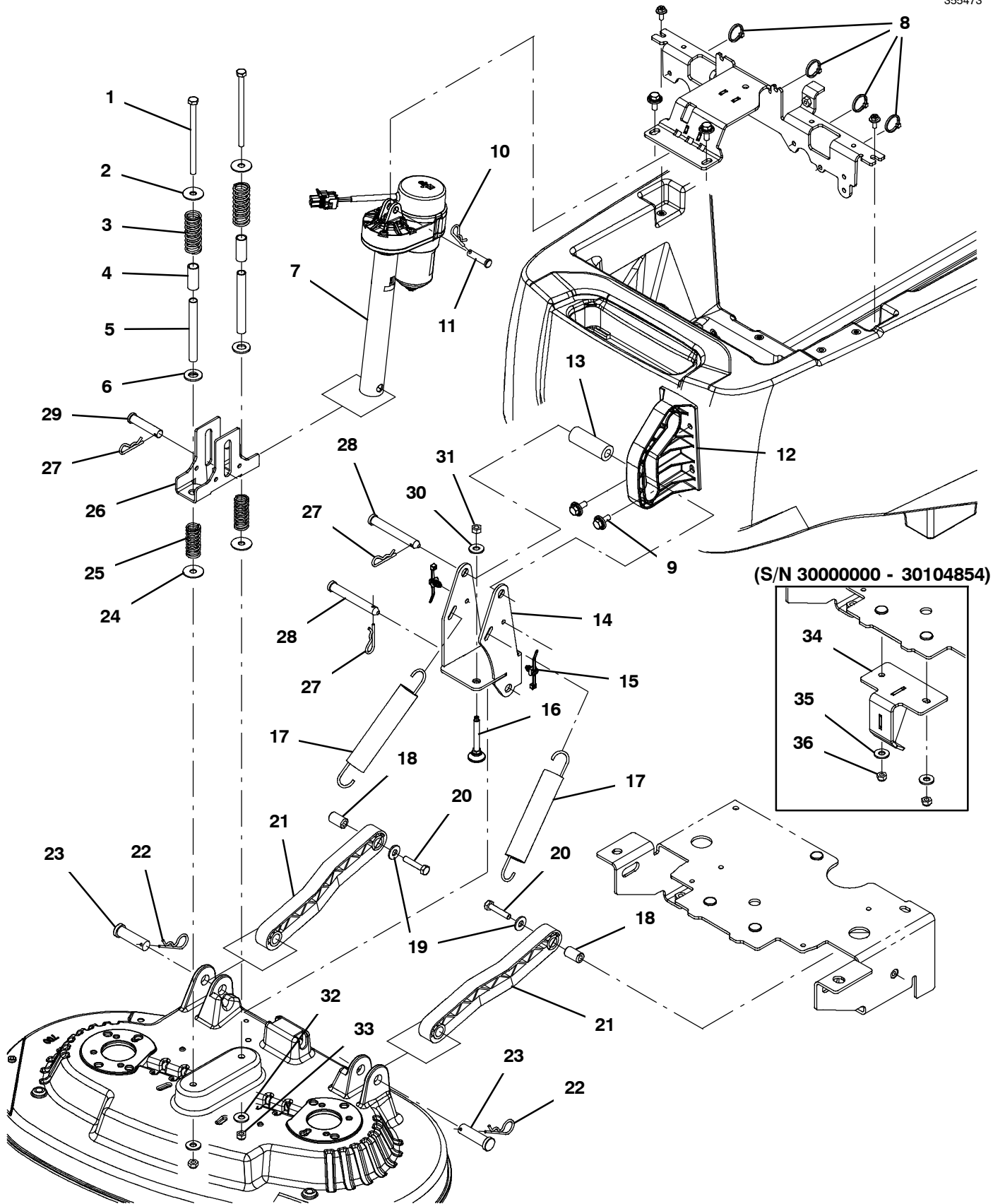
Ref.	Part No.	Serial Number	Description	Qty.
1	1219118	(30000000- 40000000)	Frame Wldt, Front [T500]	1
2	1020341	(30000000- 40000000)	Screw, Hex, M8 X 1.25 X 20, Ss, Sems	13
3	1210807	(30000000- 40000000)	Wire, Tie [W/.25" Fir Tree Clip]	6
4	01685	(30000000- 40000000)	Washer, Flat, 0.38b 0.88d .08, Ss	9
5	08713	(30000000- 40000000)	Nut, Hex, Lock, M8 X 1.25, NI, Ss	9
6	71579	(30000000- 40000000)	Strap, Static, W/Grommet, .19 1.1w 25.0l	1
7	1219137	(30000000- 40000000)	Frame Wldt, Rear [T500]	1
8	1020168	(30000000- 40000000)	Molding, Afrmkt, Trim, Pvc, .08 .11, 01ft	1
9	1212422	(30000000- 40000000)	Caster, Swivel [Wicke 224051]	2
10	09741	(30000000- 40000000)	Nut, Hex, Lock, M12 X 1.75, NI, Ss	2
11	140058	(30000000- 40000000)	Washer, Flat, 0.54b 0.88d .06, Ss [Wand]	2
▽	9004909	(30000000- 40000000)	Wheel Kit, Solid, Ci [T5 T5e Ss5]	1
▲	12 1223583	(30000000- 40000000)	Wheel, Scrbr, 213mm, W/ Taper	2
	13 606001	(30000000- 40000000)	Bracket, Mtg, Transaxle, Pl [1510, T5]	2
▽	14 1220970	(30000000- 40000000)	Transaxle, Ele, 24vdc, 107rpm [Asi, 4]	1
▲	612874	(30000000- 40000000)	Coupling, Transaxle, Replmt	1
▲	612880	(30000000- 40000000)	Joint, Transaxle, Replmt	1
▲▽	15 1031723	(30000000- 40000000)	Motor, Transaxle, 24vdc, Afrmkt [T5]	1
▲▲	16 614166	(30000000- 40000000)	Brush Kit, Carbon, Transaxle, Replmt [4]	1
▲	17 1021167	(30000000- 40000000)	Key, Woodruff, 5mm	2
	18 39890	(30000000- 40000000)	Washer, Flat, M8, Fendr	1

▽ ASSEMBLY

▲ INCLUDED IN ASSEMBLY

HEAD LIFT GROUP, DISK

355473

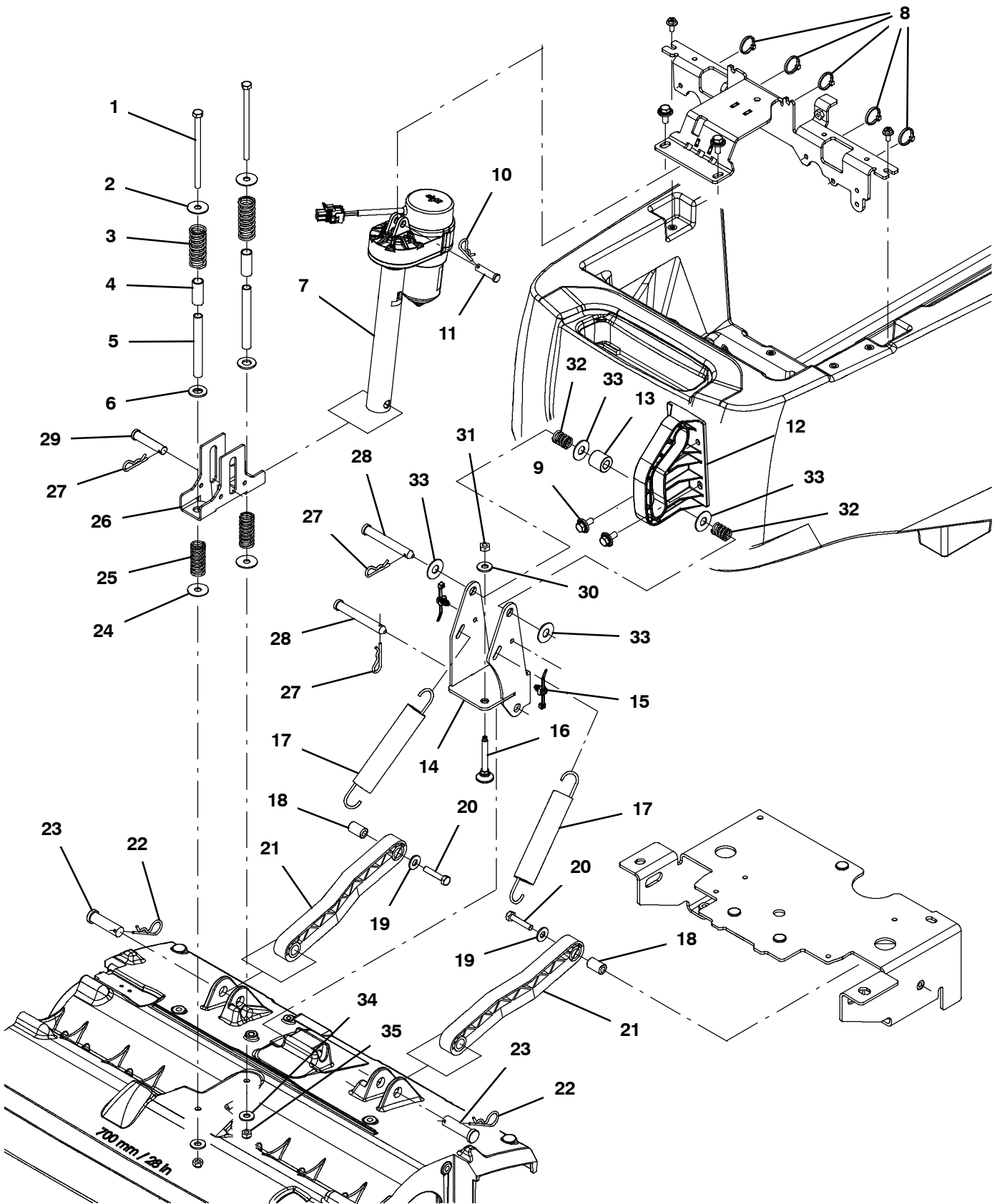


HEAD LIFT GROUP, DISK

Ref.	Part No.	Serial Number	Description	Qty.
1	387431	(30000000- 40000000)	Screw, Hex, M8 X 1.25 X 130, Ss	2
2	32662	(30000000- 40000000)	Washer, Flat, 0.38b 1.22d .06, Ss	2
3	45261	(30000000- 40000000)	Spring, Cmpr, 0.97od .11wir 02.5l	2
4	1224334	(30000000- 40000000)	Sleeve, P/M, 0.51b 0.63d 1.5l, Pl	2
5	1219491	(30000000- 40000000)	Sleeve, 0.40id .50d 4.25l, Ss	2
6	32486	(30000000- 40000000)	Washer, Flat, 0.53b 1.06d .10, Stl, Pl	2
7	1225246	(30000000- 40000000)	Actuator, 24vdc, 05.5strk, 0600lb[Base]	1
8	49263	(30000000- 40000000)	Tie, Cable, Nyl, 11.4l .19w 3.0 Max D	5
9	1020341	(30000000- 40000000)	Screw, Hex, M8 X 1.25 X 20, Ss, Sems	4
10	140626	(30000000- 40000000)	Pin, Cotter, Hair, 0.25d .125 Wir	1
11	29558	(30000000- 40000000)	Pin, Clevis, 0.37d X 1.50l	1
12	1219912	(30000000- 40000000)	Bracket, Guide, Head[T500]	1
13	1220305	(30000000- 40000000)	Tube, Plstc, 0.51id 0.98od 02.8l	1
14	1221507	(30000000- 40000000)	Pivot Wldt, Head, Scrub [T500]	1
15	1210807	(30000000- 40000000)	Wire, Tie [W/.25" Fir Tree Clip]	2
16	1227530	(30000000- 40000000)	Screw, Leveler, M8x75	1
17	222363	(30000000- 40000000)	Spring, Extn, 1.23od 0.15wir 06.5l	2
18	606056	(30000000- 40000000)	Tube, 0.32id 0.62od 01.0l, Stl, Pl	2
19	01685	(30000000- 40000000)	Washer, Flat, 0.38b 0.88d .08, Ss	2
20	74440	(30000000- 40000000)	Screw, Hex, M8 X 1.25 X 40, NI, Ss	2
21	222027	(30000000- 40000000)	Arm, Lift, Head	2
22	02942	(30000000- 40000000)	Pin, Hair, Cotter, 0.62d .120 Wir	2
23	222210	(30000000- 40000000)	Pin, Clevis, 0.62d X 2.12l	2
24	32662	(30000000- 40000000)	Washer, Flat, 0.38b 1.22d .06, Ss	2
25	63185	(30000000- 40000000)	Spring, Cmpr, 0.85od .09wir 02.0l	2
26	1224191	(30000000- 40000000)	Bracket, Spring, Suspension, Head	1
27	140626	(30000000- 40000000)	Pin, Cotter, Hair, 0.25d .125 Wir	3
28	374225	(30000000- 40000000)	Pin, Clevis, 0.50d X 3.75l	2
29	11211	(30000000- 40000000)	Pin, Clevis, 0.50d X 2.25l	1
30	01685	(30000000- 40000000)	Washer, Flat, 0.38b 0.88d .08, Ss	1
31	07786	(30000000- 40000000)	Nut, Hex, Std, M8 X 1.25, Ss	1
32	01685	(30000000- 40000000)	Washer, Flat, 0.38b 0.88d .08, Ss	2
33	08713	(30000000- 40000000)	Nut, Hex, Lock, M8 X 1.25, NI, Ss	2
34	1222374	(30000000- 30104854)	Frame Wldt, Hardstop [T500] (No Longer Available)	1
35	01685	(30000000- 30104854)	Washer, Flat, 0.38b 0.88d .08, Ss	2
36	08713	(30000000- 30104854)	Nut, Hex, Lock, M8 X 1.25, NI, Ss	2

HEAD LIFT GROUP, CYLINDRICAL

355493

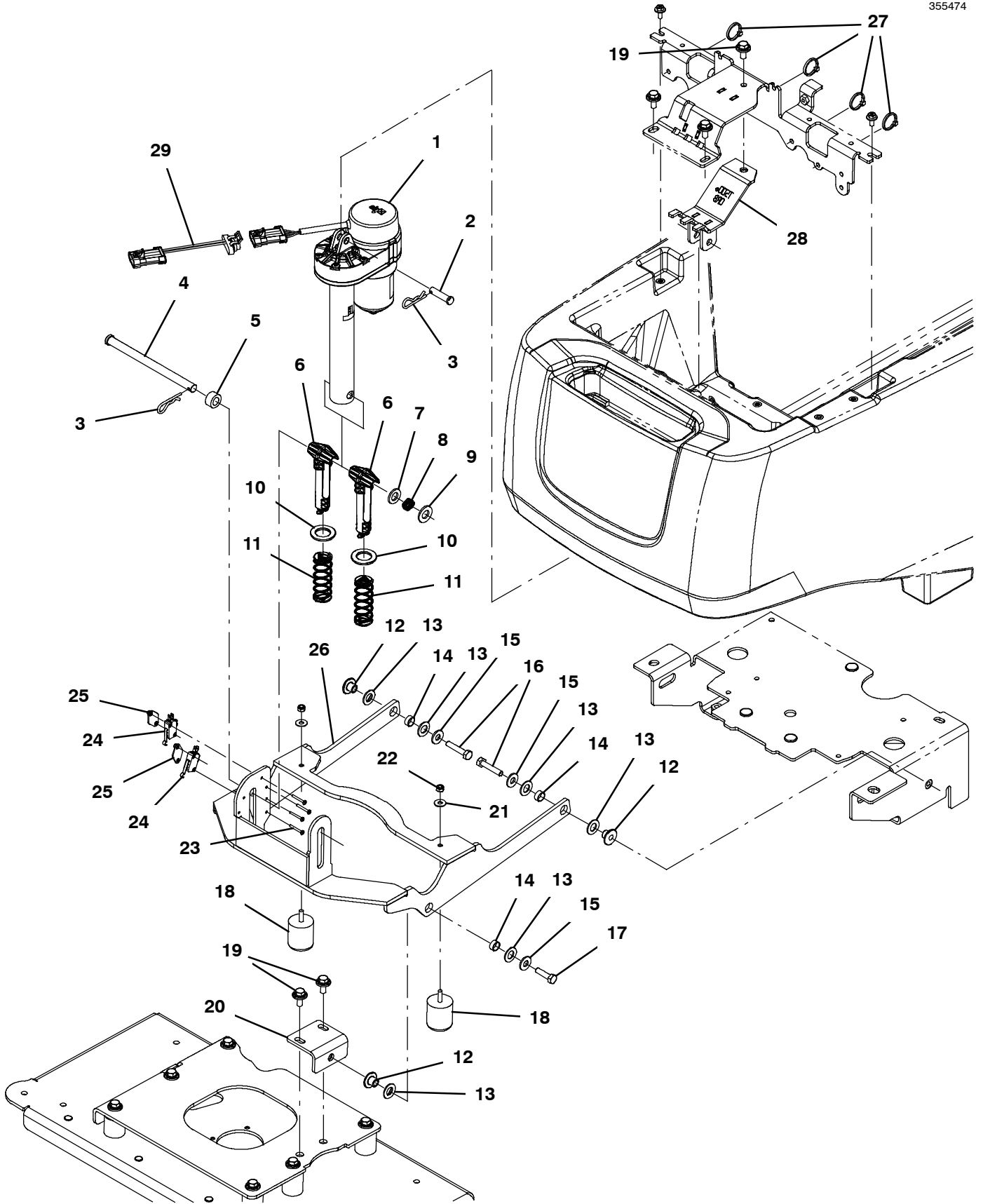


HEAD LIFT GROUP, CYLINDRICAL

Ref.	Part No.	Serial Number	Description	Qty.
1	387431	(30000000- 40000000)	Screw, Hex, M8 X 1.25 X 130, Ss	2
2	32662	(30000000- 40000000)	Washer, Flat, 0.38b 1.22d .06, Ss	2
3	45261	(30000000- 40000000)	Spring, Cmpr, 0.97od .11wir 02.5l	2
4	1224334	(30000000- 40000000)	Sleeve, P/M, 0.51b 0.63d 1.5l, PI	2
5	1219491	(30000000- 40000000)	Sleeve, 0.40id .50d 4.25l, Ss	2
6	32486	(30000000- 40000000)	Washer, Flat, 0.53b 1.06d .10, Stl, PI	2
7	1225246	(30000000- 40000000)	Actuator, 24vdc, 05.5strk, 0600lb[Base]	1
8	49263	(30000000- 40000000)	Tie, Cable, Nyl, 11.4l .19w 3.0 Max D	5
9	1020341	(30000000- 40000000)	Screw, Hex, M8 X 1.25 X 20, Ss, Sems	4
10	140626	(30000000- 40000000)	Pin, Cotter, Hair, 0.25d .125 Wir	1
11	29558	(30000000- 40000000)	Pin, Clevis, 0.37d X 1.50l	1
12	1219912	(30000000- 40000000)	Bracket, Guide, Head[T500]	1
13	1014020	(30000000- 40000000)	Roller, 0.99d 0.50b 0.95l, Acetal	1
14	1221507	(30000000- 40000000)	Pivot Wldt, Head, Scrub [T500]	1
15	1210807	(30000000- 40000000)	Wire, Tie [W/.25" Fir Tree Clip]	2
16	1227530	(30000000- 40000000)	Screw, Leveler, M8x75	1
17	222363	(30000000- 40000000)	Spring, Extn, 1.23od 0.15wir 06.5l	2
18	606056	(30000000- 40000000)	Tube, 0.32id 0.62od 01.0l, Stl, PI	2
19	01685	(30000000- 40000000)	Washer, Flat, 0.38b 0.88d .08, Ss	2
20	74440	(30000000- 40000000)	Screw, Hex, M8 X 1.25 X 40, NI, Ss	2
21	222027	(30000000- 40000000)	Arm, Lift, Head	2
22	02942	(30000000- 40000000)	Pin, Hair, Cotter, 0.62d .120 Wir	2
23	222210	(30000000- 40000000)	Pin, Clevis, 0.62d X 2.12l	2
24	32662	(30000000- 40000000)	Washer, Flat, 0.38b 1.22d .06, Ss	2
25	63185	(30000000- 40000000)	Spring, Cmpr, 0.85od .09wir 02.0l	2
26	1224191	(30000000- 40000000)	Bracket, Spring, Suspension, Head	1
27	140626	(30000000- 40000000)	Pin, Cotter, Hair, 0.25d .125 Wir	3
28	374225	(30000000- 40000000)	Pin, Clevis, 0.50d X 3.75l	2
29	11211	(30000000- 40000000)	Pin, Clevis, 0.50d X 2.25l	1
30	01685	(30000000- 40000000)	Washer, Flat, 0.38b 0.88d .08, Ss	1
31	07786	(30000000- 40000000)	Nut, Hex, Std, M8 X 1.25, Ss	1
32	607920	(30000000- 40000000)	Spring, Cmpr, 0.70od .10wir 01.0l, Mw	2
33	140045	(30000000- 40000000)	Washer, Flat, 0.51b 1.25d .06, Ss	4
34	01685	(30000000- 40000000)	Washer, Flat, 0.38b 0.88d .08, Ss	2
35	08713	(30000000- 40000000)	Nut, Hex, Lock, M8 X 1.25, NI, Ss	2

HEAD LIFT GROUP, ORBITAL

355474



HEAD LIFT GROUP, ORBITAL

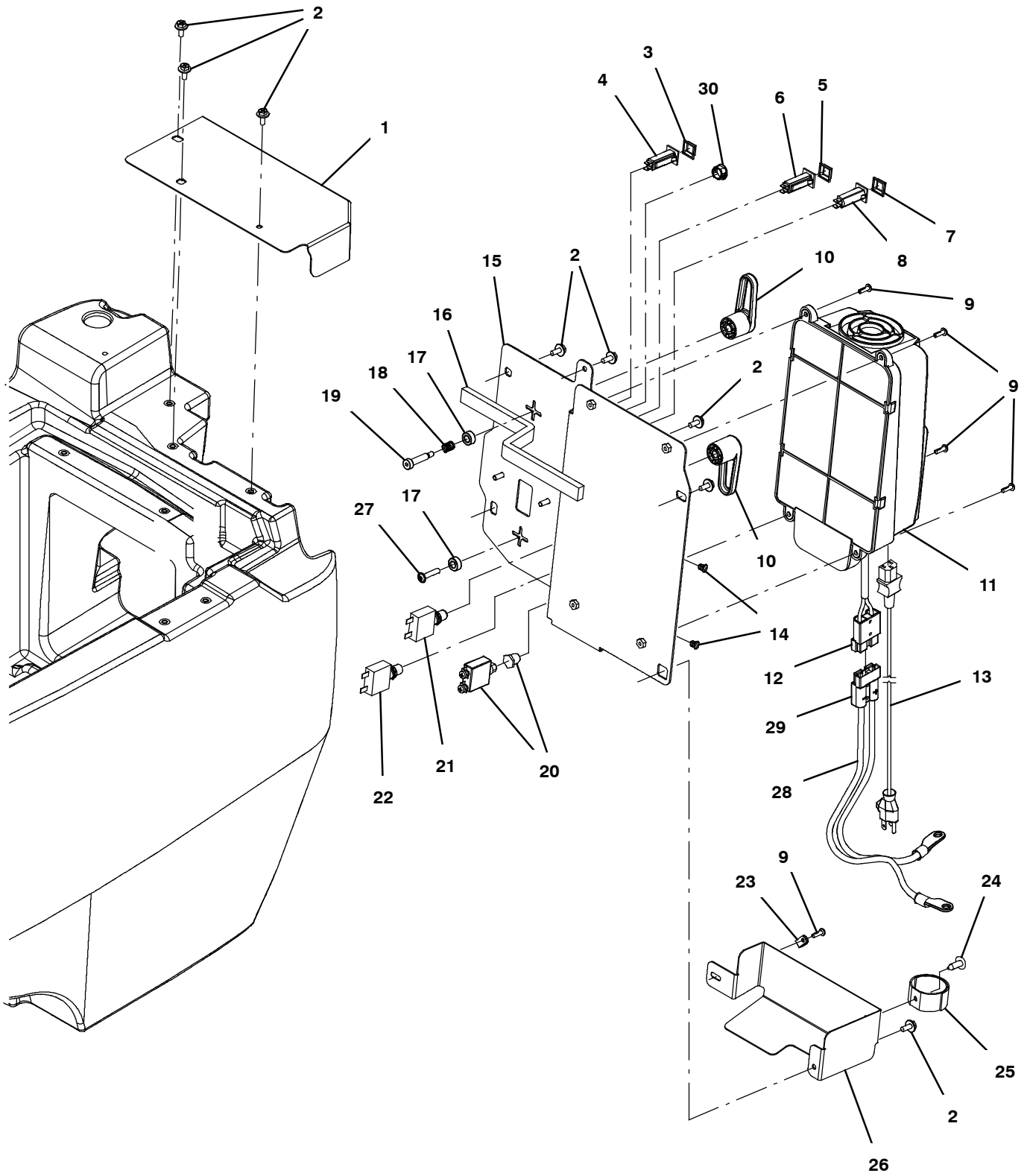
Ref.	Part No.	Serial Number	Description	Qty.
▽	1	1225246	(30000000- 40000000) Actuator, 24vdc, 05.5strk, 0600lb[Base]	1
▲	2	29558	(30000000- 40000000) Pin, Clevis, 0.37d X 1.50l	1
▲▽	3	140626	(30000000- 40000000) Pin, Cotter, Hair, 0.25d .125 Wir	1
▲▲	4	1226754	(30000000- 40000000) Pin, Clevis, .50d X 7.00l	1
	5	1226759	(30000000- 40000000) Spacer, .500 Id X .875 Od	1
	6	1224233	(30000000- 40000000) Pin, Guide, Spring, Head	2
	7	1013936	(30000000- 40000000) Washer, Flat, 0.51b 0.94d .10, Nyl	1
	8	1226640	(30000000- 40000000) Spring, Wave, .512 Id X .709 Od X .375	1
	9	32486	(30000000- 40000000) Washer, Flat, 0.53b 1.06d .10, Stl, Pl	1
	10	1225960	(30000000- 40000000) Washer, Thrust, 0.89b 1.50d 0.13w, Bnz	2
	11	1227036	(30000000- 40000000) Spring, Cmpr, 1.10od .085wir 03.0l	2
	12	1059990	(30000000- 40000000) Sleeve, Flng, 0.32b 1.00/0.50d 0.6l, Ss	3
	13	608562	(30000000- 40000000) Washer, Flat, 0.51b 0.94d .06, Nyl	6
	14	630188	(30000000- 40000000) Bearing, Journal, .50id X .25l	3
	15	01685	(30000000- 40000000) Washer, Flat, 0.38b 0.88d .08, Ss	3
	16	74440	(30000000- 40000000) Screw, Hex, M8 X 1.25 X 40, NI, Ss	2
	17	1016399	(30000000- 40000000) Screw, Hex, M8 X 1.25 X 30, NI, Ss	1
	18	1212543	(30000000- 40000000) Isolator, Neoprene, 1.25" X 1.25", M8	2
	19	1020341	(30000000- 40000000) Screw, Hex, M8 X 1.25 X 20, Ss, Sems	3
	20	1224295	(30000000- 40000000) Brkt Wldt, Lift	1
	21	01685	(30000000- 40000000) Washer, Flat, 0.38b 0.88d .08, Ss	2
	22	08713	(30000000- 40000000) Nut, Hex, Lock, M8 X 1.25, NI, Ss	2
	23	33933	(30000000- 40000000) Screw, Pan, Phl, M3 X 0.50 X 25, Ss	6
	24	1215716	(30000000- 40000000) Switch, 0.1a, Spdt[Micro, Gold Contacts]	2
	25	1013705	(30000000- 40000000) Plate, Thread, Switch, M3 Nut, 96hr Pl	2
	26	1221043	(30000000- 40000000) Arm Wldt, Lift	1
	27	49263	(30000000- 40000000) Tie, Cable, Nyl, 11.4l .19w 3.0 Max D	5
	28	1225990	(30000000- 40000000) Bracket Wldt, Mount, Actuator[T500e]	1
	29	1076557	(xxxxxxx- 40000000) Harness, Ele [Adaptor, Delphi, 4pos.]	1

▽ ASSEMBLY

▲ INCLUDED IN ASSEMBLY

LOWER CONSOLE GROUP, ON-BOARD CHARGER

355462



LOWER CONSOLE GROUP, ON-BOARD CHARGER

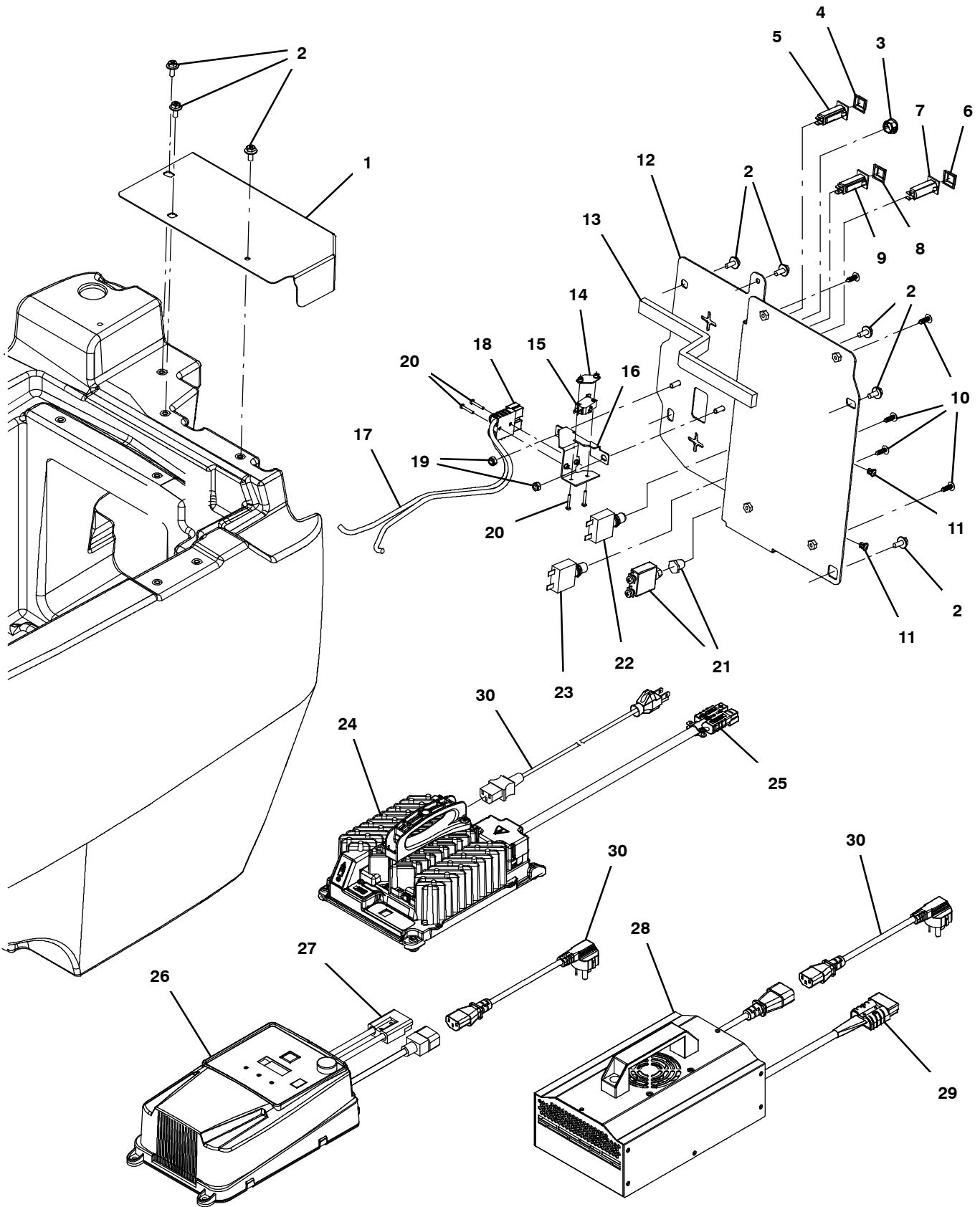
Ref.	Part No.	Serial Number	Description	Qty.	
1	1225401	(30000000- 40000000)	Bracket, Cover, Charger	1	
2	1034731	(30000000- 40000000)	Screw, Hex, M6 X 1.00 X 16, Sems, Ss	8	
3	1064191	(30000000- 40000000)	Boot, Circuitbreaker	1	
4	1208816	(30000000- 40000000)	Circuitbreaker, 04.0a, Resetable (Key Switch)	1	
5	1064191	(30000000- 40000000)	Boot, Circuitbreaker	1	
6	1064187	(30000000- 40000000)	Circuitbreaker, 10.0a, Resetable (Actuator)	1	
7	1064191	(30000000- 40000000)	Boot, Circuitbreaker	1	
8	1064189	(30000000- 40000000)	Circuitbreaker, 20.0a, Resetable (Vacuum Fan)	1	
9	1205799	(30000000- 40000000)	Screw, Btn, M5 X 0.8 X 16, 8.8, NI, Torx	5	
10	1205496	(30000000- 40000000)	Hook, Cord	2	
▽	11	1250046	(30000000- 40000000)	Charger, 24vdc 25a 100- 240vac [On- Board]	1
▲	12	605387	(30000000- 40000000)	Connector, Anderson, 050a, Red [W/O Con]	1
	13	1025642	(30000000- 40000000)	Cord, Power, 16/3, 15ft Blk [Us]	1
	13	1026330	(30000000- 40000000)	Cord, Power, 1.0mm2 [2.5meter] (China)	1
	13	1026325	(30000000- 40000000)	Cord, Power, 1.0mm2/3 Blk[2.5meter, Aus]	1
	13	1048304	(30000000- 40000000)	Cord, Power [4.5meter, India, S.Africa]	1
	14	1202868	(30000000- 40000000)	Clip, Tie, 0.25d, Plstc	2
	15	1225019	(30000000- 40000000)	Bracket Wldt, Charger	1
	16	1046428	(30000000- 40000000)	Seal, Afrmkt, Rbr, Clsd, Adh, 02ft	1
	17	1014668	(30000000- 40000000)	Bushing, Sleeve, 8mmb 12mmd 6mml	2
	18	611311	(AUG2020- 40000000)	Spring, Cmpr, 0.40od .05wir 00.5l, Pl,Mw	1
	18	611311	(30000000- JUL2020)	Spring, Cmpr, 0.40od .05wir 00.5l, Pl,Mw	2
	19	1024965	(AUG2020- 40000000)	Bolt, Shld, 08mmd X 030mm, M06 X 1.0	1
	19	1024965	(30000000- JUL2020)	Bolt, Shld, 08mmd X 030mm, M06 X 1.0	2
	20	383729	(30000000- 40000000)	Circuitbreaker, 60.0a (I- Drive)	1
	21	383724	(30000000- 40000000)	Circuitbreaker, 25.0a, Resetable (Left Scrub Motor)	1
	22	383724	(30000000- 40000000)	Circuitbreaker, 25.0a, Resetable (Right Scrub Motor)	1
	23	26395- 2	(30000000- 40000000)	Clamp, Cable, Stl, 0.38d X 0.38w, 1hole	1
	24	140262	(30000000- 40000000)	Clip, Snap- In	1
	25	1059534	(30000000- 40000000)	Fastener, 09.00l [Hook & Loop]	1
	26	1224589	(30000000- 40000000)	Bracket, Cover, Charger Cables	1
	27	1248098	(AUG2020- 40000000)	Screw, Btn, Flng, M6 X 1.0 X 30, 10.9	1
▽	28	1073634	(30000000- 40000000)	Harness, Chrgr, 12ga [M8 Ring/M8 Ring]	1
▲	29	605387	(30000000- 40000000)	Connector, Anderson, 050a, Red [W/O Con]	1
	30	1058340	(30000000- 40000000)	Plug, Hole, Rnd, 0.63h 0.1l, Blk (Models w/out ec- H2O / ABW Option)	1

▽ ASSEMBLY

▲ INCLUDED IN ASSEMBLY

LOWER CONSOLE GROUP, OFF-BOARD CHARGER

355735



LOWER CONSOLE GROUP, OFF- BOARD CHARGER

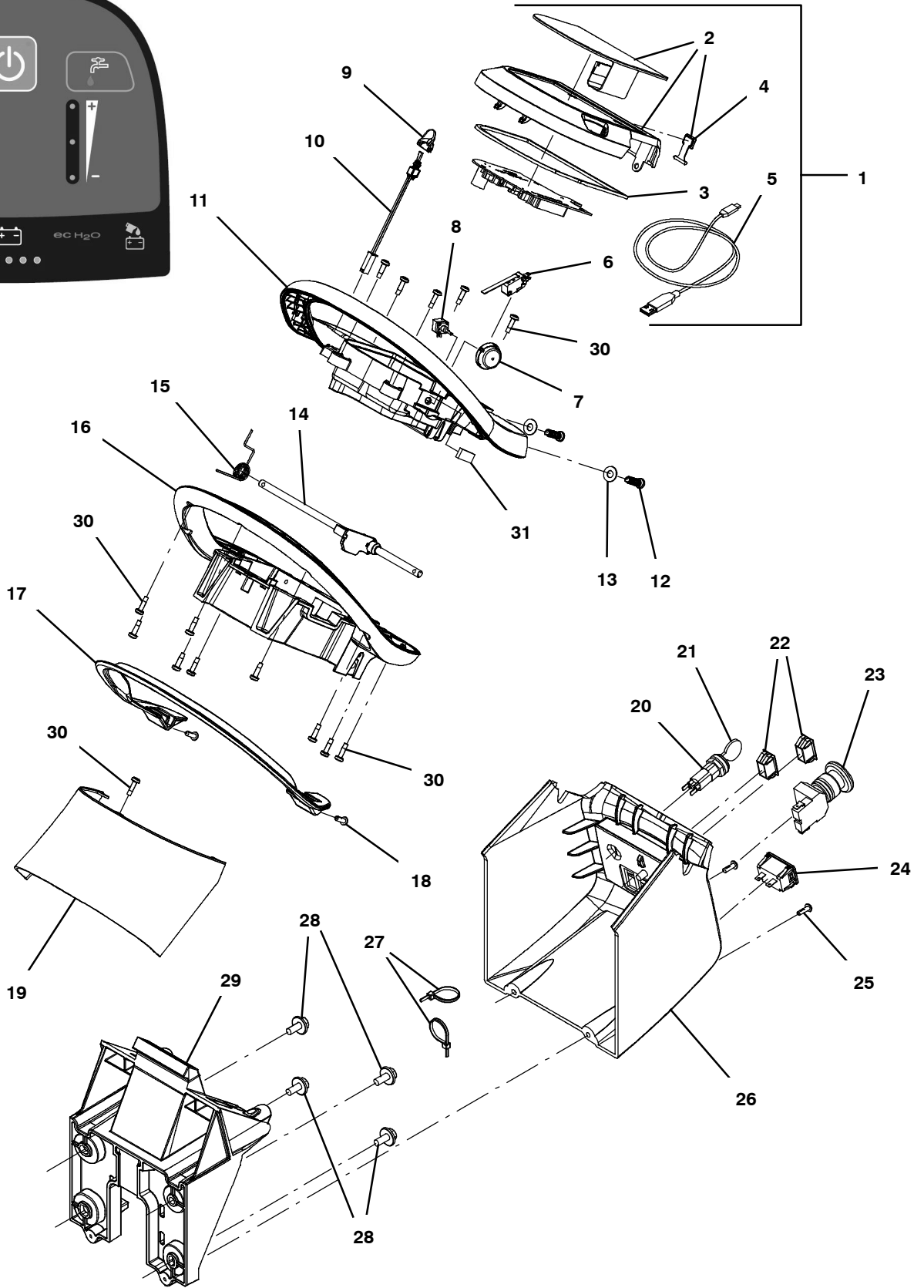
Ref.	Part No.	Serial Number	Description	Qty.	
1	1225401	(30000000- 40000000)	Bracket, Cover, Charger	1	
2	1034731	(30000000- 40000000)	Screw, Hex, M6 X 1.00 X 16, Sems, Ss	8	
3	1058340	(30000000- 40000000)	Plug, Hole, Rnd, 0.63h 0.1l, Blk (Models w/out ec- H2O / ABW Option)	1	
4	1064191	(30000000- 40000000)	Boot, Circuitbreaker	1	
5	1208816	(30000000- 40000000)	Circuitbreaker, 04.0a, Resetable (Key Switch)	1	
6	1064191	(30000000- 40000000)	Boot, Circuitbreaker	1	
7	1064187	(30000000- 40000000)	Circuitbreaker, 10.0a, Resetable (Actuator)	1	
8	1064191	(30000000- 40000000)	Boot, Circuitbreaker	1	
9	1064189	(30000000- 40000000)	Circuitbreaker, 20.0a, Resetable (Vacuum Fan)	1	
10	397780	(30000000- 40000000)	Plug, Hole, Rnd, 0.19h 0.7l, Brb, Plstc	5	
11	1202868	(30000000- 40000000)	Clip, Tie, 0.25d, Plstc	2	
12	1225019	(30000000- 40000000)	Bracket Wldt, Charger	1	
13	1046428	(30000000- 40000000)	Seal, Afmkt, Rbr, Clsd, Adh, 02ft	1	
14	1013705	(30000000- 40000000)	Plate, Thread, Switch, M3 Nut, 96hr PI	1	
15	1215716	(30000000- 40000000)	Switch, 0.1a, Spdt[Micro, Gold Contacts]	1	
16	1225158	(30000000- 40000000)	Bracket Assy, Charger Plug	1	
▽	17	1073634	(30000000- 40000000)	Harness, Chrgr, 12ga [M8 Ring/M8 Ring]	1
▲	18	605387	(30000000- 40000000)	Connector, Anderson, 050a, Red [W/O Con]	1
	19	08712	(30000000- 40000000)	Nut, Hex, Lock, M6 X 1.00, NI, Ss	2
	20	06922	(30000000- 40000000)	Screw, Pan, Phl, M3 X 0.50 X 20, 4.8	4
	21	383729	(30000000- 40000000)	Circuitbreaker, 60.0a (I- Drive)	1
	22	383724	(30000000- 40000000)	Circuitbreaker, 25.0a, Resetable (Left Scrub Motor)	1
	23	383724	(30000000- 40000000)	Circuitbreaker, 25.0a, Resetable (Right Scrub Motor)	1
▽	24	9015391	(30000000- 40000000)	Charger Assy, Off- Board [T500/T500e]	1
▲	25	605387	(30000000- 40000000)	Connector, Anderson, 050a, Red [W/O Con]	1
▽	26	1242383	(30000000- 40000000)	Charger, 24vdc, 196- 264vac,Off- Brd (China - Lithium- Ion Model)	1
▲	27	605387	(30000000- 40000000)	Connector, Anderson, 050a, Red [W/O Con]	1
▽	28	1252745	(30000000- 40000000)	Charger, 24vdc/25a, 220vac [Off Board]	1
▲	29	605387	(30000000- 40000000)	Connector, Anderson, 050a, Red [W/O Con]	1
	30	1025642	(30000000- 40000000)	Cord, Power, 16/3, 15ft Blk [Us]	1
	30	1026330	(30000000- 40000000)	Cord, Power, 1.0mm2 [2.5meter] (China)	1
	30	1026325	(30000000- 40000000)	Cord, Power, 1.0mm2/3 Blk[2.5meter, Aus]	1
	30	1048304	(30000000- 40000000)	Cord, Power [4.5meter, India, S.Africa]	1

▽ ASSEMBLY

▲ INCLUDED IN ASSEMBLY

CONSOLE GROUP

355460



CONSOLE GROUP

Ref.	Part No.	Serial Number	Description	Qty.
▽	1	9015780*	(30000000- 40000000) Bezel Kit, Membrane [T500e]	1
▲▽	2	9015781	(30000000- 40000000) Screen Kit [T500e]	1
▲▲	3	1245824	(JUN2020- 40000000) Gasket, Console	1
▲▲	4	1205618	(30000000- 40000000) Cap, Usb	1
▲	5	1071235	(30000000- 40000000) Cable [Usb, 2m, A- Male To Mini- B- Male]	1
	6	1205323	(30000000- 40000000) Switch, 0.1a, Spdt [Micro, Straight]	1
	7	1234365	(30000000- 40000000) Dial, Range, Speed	1
	8	1256757	(30129060- 40000000) Potentiometer [100k, 1 Turn, Multi- Mach]	1
	8	1246392	(30094929- 30129059) Potentiometer [100k, 1 Turn, B5/B7] (Rpld by 1256757)	1
	8	1204930	(30000000- 30094928) Potentiometer [100k, 1 Turn, B5/B7] (Rpld by 1256757)	1
	9	1209730	(30000000- 40000000) Cap, Toggle, Direction	1
	10	1209673	(30000000- 40000000) Switch Assy, Toggle, Direction	1
	11	1203787	(30000000- 40000000) Housing, Handle, Cntrl, Top	2
	12	1215863	(30000000- 40000000) Screw, Pan, Torx, M8 X 3.5 X 25[Remform]	2
	13	140027	(30000000- 40000000) Washer, Flat, 0.35b 0.75d .04, Ss	2
	14	1205143	(30000000- 40000000) Shaft Assy, Bail, Handle	1
	15	1205781	(30000000- 40000000) Spring, Return, Bail	1
	16	1222608	(30000000- 40000000) Housing, Handle, Cntrl, Bottom, Slotted	1
	17	1205778	(30000000- 40000000) Handle, Bail [Machined]	1
	18	1205799	(30000000- 40000000) Screw, Btn, M5 X 0.8 X 16, 8.8, NI, Torx	2
	19	1207004	(30000000- 40000000) Cover, Handle, Cntrl	1
▽	20	1011402	(30000000- 40000000) Switch, Key	1
▲	21	1017696	(30000000- 40000000) Key Set, Replmt [F/ Keyswitch 1011402]	1
	22	582150	(30000000- 40000000) Plug, Hole, Rt, 1.23 X 1.12, Nyl	2
	23	1011735	(30000000- 40000000) Switch, Safety, Shutoff	1
	24	1064038	(30000000- 40000000) Gauge, Hourmeter, 05- 277 Volt, Ac / Dc	1
	25	1205799	(30000000- 40000000) Screw, Btn, M5 X 0.8 X 16, 8.8, NI, Torx	2
	26	1223019	(30000000- 40000000) Cover, Console, Lower [T500e]	1
	27	130773	(30000000- 40000000) Tie, Cable, Nyl, 11.0l, .14w, 3.0 Max. D	2
	28	1020341	(30000000- 40000000) Screw, Hex, M8 X 1.25 X 20, Ss, Sems	4
	29	1226368	(30000000- 40000000) Frame, Console, Short, Simplified [Im]	1
	30	1043573	(30000000- 40000000) Screw, #10- 14 X 0.675, Spl[Shcs,Selftap]	15
	31	1063909	(JUN2020- 40000000) Seal, Afrmkt, Rbr, Clsd, Adh, 01ft	1

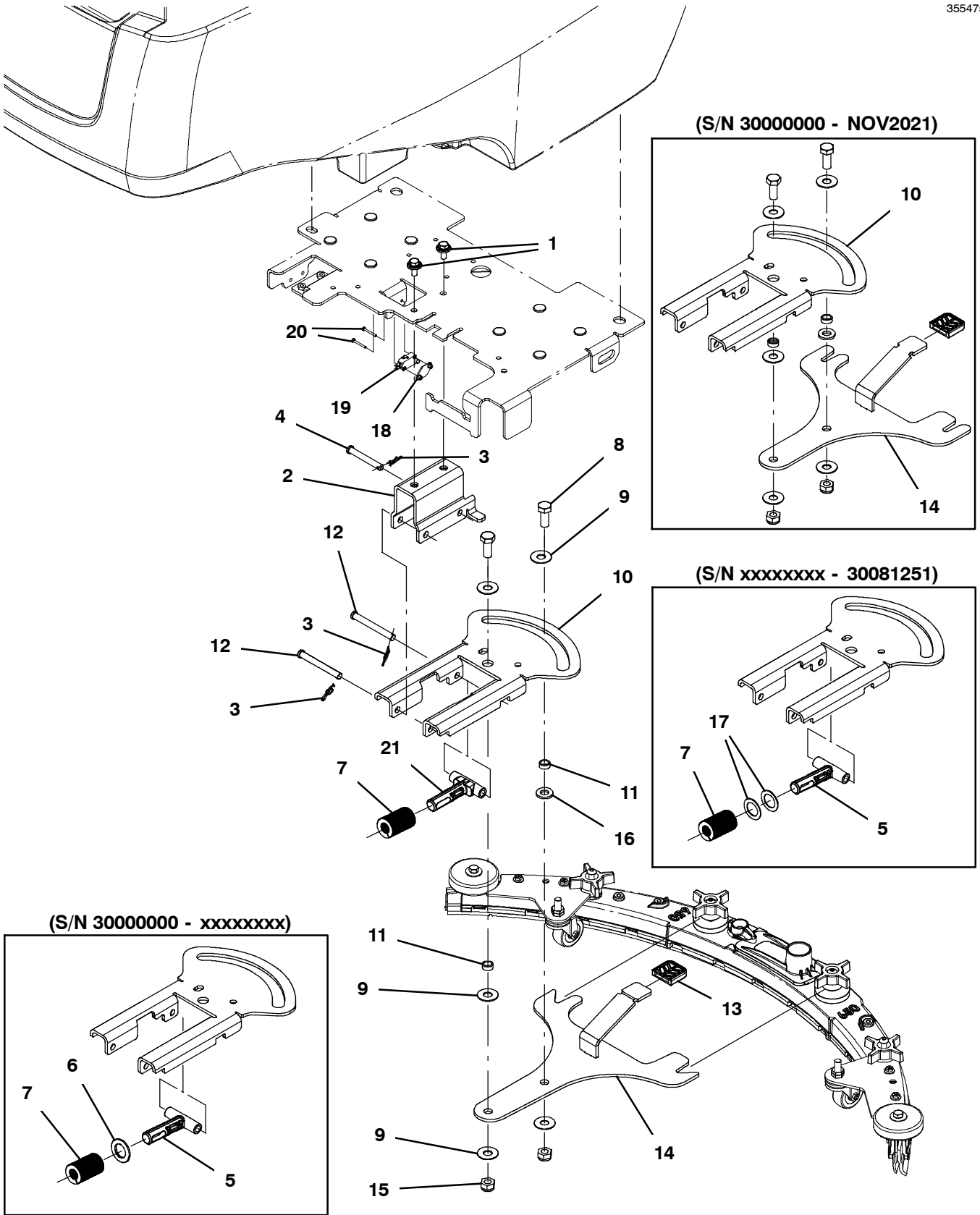
* Requires Tennant *True* service or an authorized Tennant service provider.

▽ ASSEMBLY

▲ INCLUDED IN ASSEMBLY

SQUEEGEE LIFT GROUP

355475

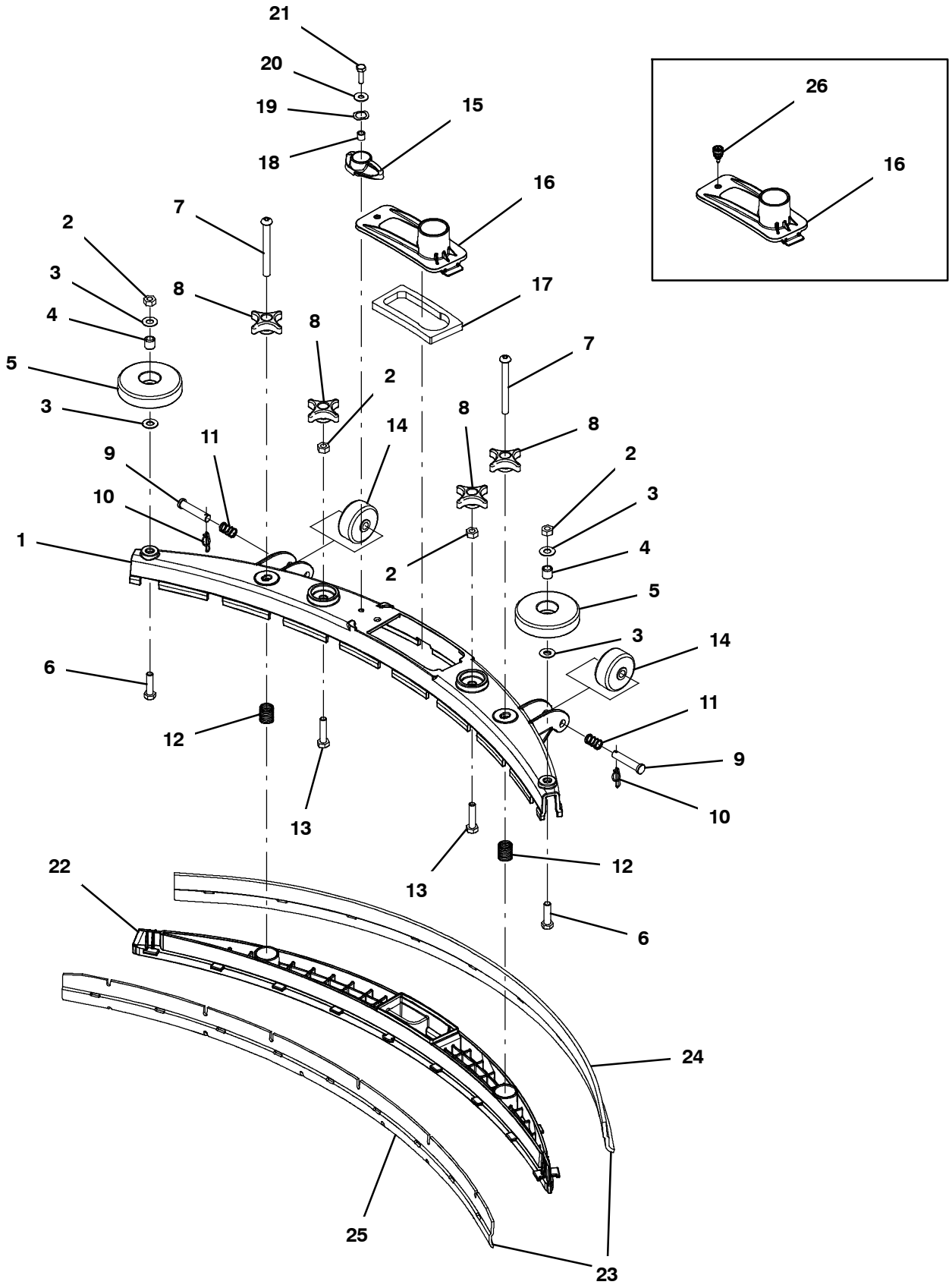


SQUEEGEE LIFT GROUP

Ref.	Part No.	Serial Number	Description	Qty.
1	1020341	(30000000- 40000000)	Screw, Hex, M8 X 1.25 X 20, Ss, Sems	2
2	1221959	(30000000- 40000000)	Bracket, Wldt, Lift, Sqge [T500]	1
3	1216647	(30000000- 40000000)	Pin, Cotter, Hair, 0.38d .054 Wir	3
4	391179	(30000000- 40000000)	Pin, Clevis, 0.37d X 2.62l	1
5	1230368	(30000000- 30081251)	Guide, Spring (Replaced by 9016898)	1
6	1225960	(30000000- xxxxxxxx)	Washer, Thrust, 0.89b 1.50d 0.13w, Bnz	1
7	1253245	(MAY2021- 40000000)	Spring, Cmpr, 1.4od, .874id, .263d, 2.0l	1
7	1228773	(30000000- APR2021)	Spring, Cmpr, 1.25od, .625id, 2.0l (Replaced By 1253245)	1
8	12309	(30000000- 40000000)	Screw, Hex, M12 X 1.75 X 30, Ss	2
9	140045	(30000000- 40000000)	Washer, Flat, 0.51b 1.25d .06, Ss	5
10	1255528	(DEC2021- 20000000)	Bracket, Pivot, Sqge [T500]	1
10	1219466	(30000000- NOV2021)	Bracket, Pivot, Sqge [T500]	1
11	1013662	(30000000- 40000000)	Bushing, Sleeve, 12mmb 16mmd 7mml, Pm Yel	2
12	57598	(30000000- 40000000)	Pin, Clevis, 0.37d X 3.25l	2
13	1212533	(30000000- 40000000)	Cover, Pedal, Lift	1
14	1246993	(DEC2021- 20000000)	Bracket Wldt, Mtg, Sqge [T500]	1
14	1220505	(30000000- NOV2021)	Bracket Wldt, Mtg, Sqge [T500]	1
15	09741	(30000000- 40000000)	Nut, Hex, Lock, M12 X 1.75, NI, Ss	2
16	140127	(30000000- 40000000)	Washer, Thrust, 0.51b 1.00d 0.12w, Brz	1
17	82226	(xxxxxxx- 30081251)	Washer, Flat, 0.91b 1.38d .06, Stl, PI	2
18	1013705	(30000000- 40000000)	Plate, Thread, Switch, M3 Nut, 96hr PI	1
19	1215716	(30000000- 40000000)	Switch, 0.1a, Spdt[Micro, Gold Contacts]	1
20	33933	(30000000- 40000000)	Screw, Pan, Phl, M3 X 0.50 X 25, Ss	2
21	1235860	(30081252- 40000000)	Guide, Spring	1

SQUEEGEE ASSEMBLY, 500MM / 20IN

355437



SQUEEGEE ASSEMBLY, 500MM / 20IN

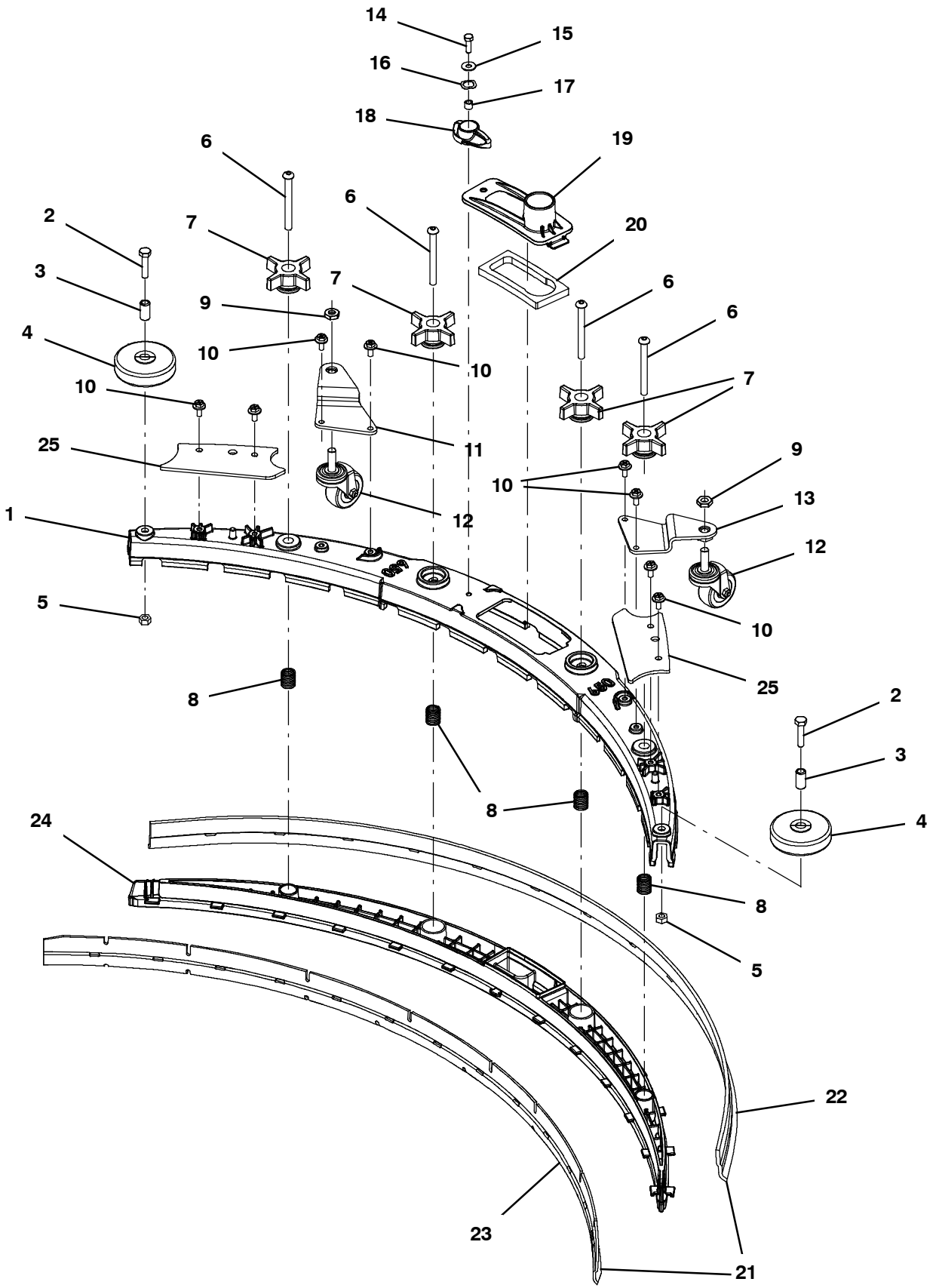
Ref.	Part No.	Serial Number	Description	Qty.
▽		9014172	(30000000- 40000000) Squeegee Kit, Linatex, Ci [T300/E/Ss300]	1
▲	1	1230946	(30000000- 40000000) Frame, Sqge, 50cm, Mach [T300]	1
▲	2	07786	(30000000- 40000000) Nut, Hex, Std, M8 X 1.25, Ss	2
▲	3	140027	(30000000- 40000000) Washer, Flat, 0.35b 0.75d .04, Ss	4
▲	4	222460	(30000000- 40000000) Sleeve, P/M, 0.32b 0.50d 0.5l [430ss]	2
▲	5	1010560	(30000000- 40000000) Wheel, Bmpr, 80d X 25w, Non- Marking	2
▲	6	1016399	(30000000- 40000000) Screw, Hex, M8 X 1.25 X 30, NI, Ss	2
▲	7	1255358	(30000000- 40000000) Screw, Btn, M8 X 1.25 X 85, Ss	2
▲	8	1213677	(30000000- 40000000) Knob, Star, 2.00od 4ear M8x1.25 [Yel]	4
▲	9	17461	(30000000- 40000000) Pin, Clevis, 0.37d X 1.75l	2
▲	10	1216647	(30000000- 40000000) Pin, Cotter, Hair, 0.38d .054 Wir	2
▲	11	1017091	(30000000- 40000000) Spring, Cmpr, 0.50od .04wir 00.8l	2
▲	12	22290	(30000000- 40000000) Spring, Cmpr, 0.72od .06wir 02.3l	2
▲	13	09026	(30000000- 40000000) Screw, Hex, M8 X 1.25 X 40, Ss	2
▲	14	630477	(30000000- 40000000) Wheel, Pyu, 02.0d 0.38w, Gray	2
▲	15	1222109	(xxxxxxxx- 40000000) Knob, Sqge, 58l, M6 X 1.00, Plstc	1
▲	16	1209631	(30000000- 40000000) Cover, Trap, Water, Sqge	1
▲	17	1210756	(30000000- 40000000) Gasket, Trap, Water, Sqge	1
▲	18	140154	(xxxxxxxx- 40000000) Sleeve, P/M, 0.25b 0.38d 0.3l, PI	1
▲	19	140060	(xxxxxxxx- 40000000) Washer, .505 X .750 X 0.45 Wave	1
▲	20	01684	(xxxxxxxx- 40000000) Washer, Flat, 0.27b 0.69d .05, Ss	1
▲	21	12277	(xxxxxxxx- 40000000) Screw, Hex, M6 X 1.00 X 20, NI, Ss	1
▲	22	1203638	(30000000- 40000000) Retainer, Sqge [T300]	1
▲▽	23	9015731	(30000000- 40000000) Blade Kit, 500mm, Linatex (Standard)	1
▲▲	24	1203953	(30000000- 40000000) Blade, Sqge, Rear, 836l, Linatex[500mm] (Standard)	1
▲▲	25	1203954	(30000000- 40000000) Blade, Sqge, Front, 788l, Linatex[500mm] (Standard)	1
▽	23	9015732	(30000000- 40000000) Blade Kit, 500mm, Urethane (Option)	1
▲	24	1215609	(30000000- 40000000) Blade, Sqge, Rear, 836l, Urethane[500mm] (Option)	1
▲	25	1215611	(30000000- 40000000) Blade, Sqge, Front, 788l, Urethane[500mm] (Option)	1
▽	23	9015730	(30000000- 40000000) Blade Kit, 500mm, Gum (Option)	1
▲	24	1215610	(30000000- 40000000) Blade, Sqge, Rear, 836l, Gum[500mm] (Option)	1
▲	25	1215612	(30000000- 40000000) Blade, Sqge, Front, 788l, Gum[500mm] (Option)	1
	26	1212683	(30000000- xxxxxxxx) Screw, Captive, M5, Knurled [Snap In]	1

▽ ASSEMBLY

▲ INCLUDED IN ASSEMBLY

SQUEEGEE ASSEMBLY, 650MM / 26IN
(Original Style 9015301 - Replaced By 9021741)

355438



SQUEEGEE ASSEMBLY, 650MM / 26IN
(Original Style 9015301 - Replaced By 9021741)

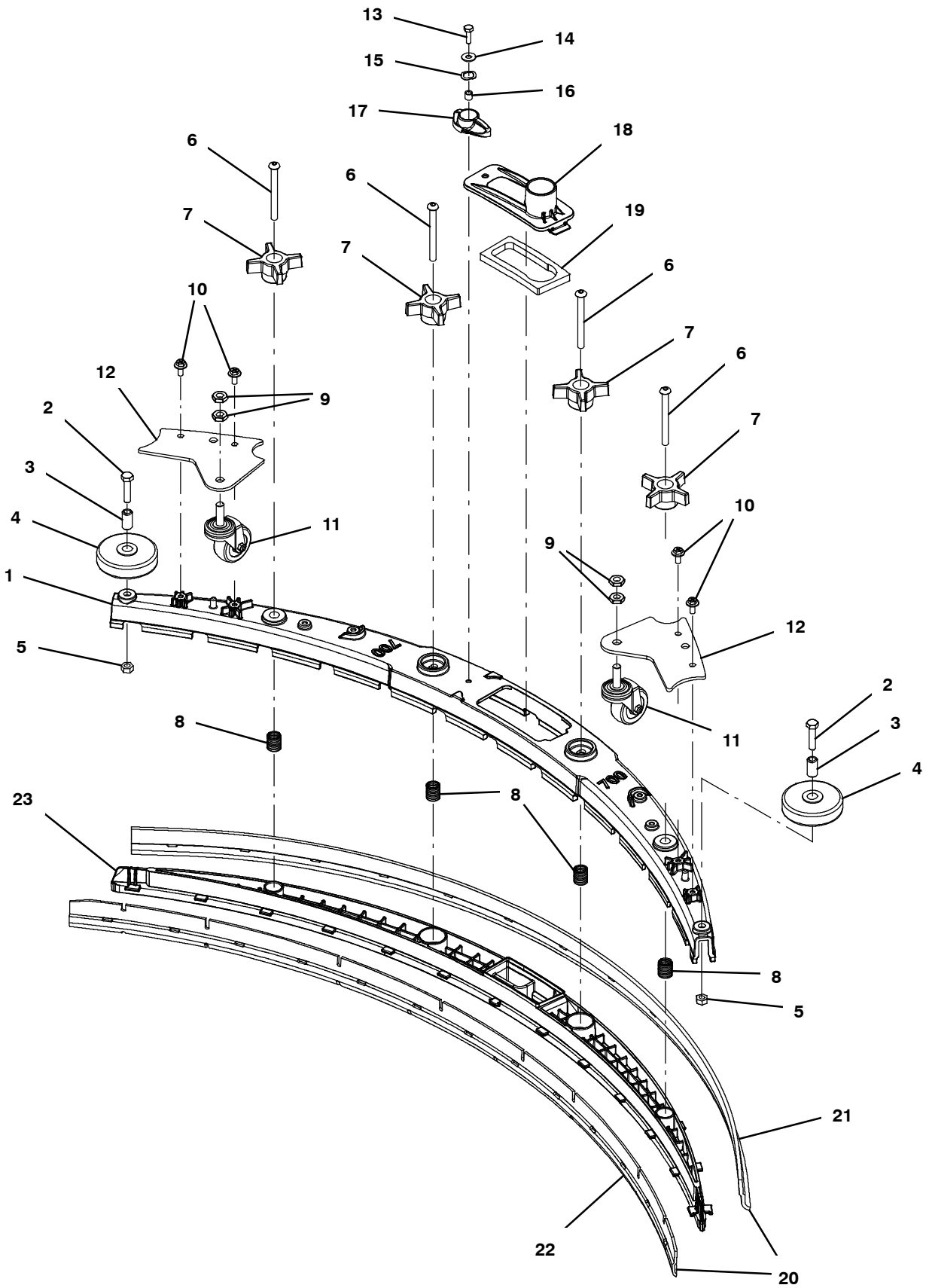
Ref.	Part No.	Serial Number	Description	Qty.
▽	9015301	(30000000- NOV2021)	Squeegee Kit, 650mm, Ci	1
▲	1 1243537	(30000000- NOV2021)	Frame, Sqge, 65cm, Mach [T500/T600]	1
▲	2 59658	(30000000- 40000000)	Screw, Hex, M8 X 1.25 X 35, NI, Ss	2
▲	3 222496	(30000000- 40000000)	Sleeve, P/M, 0.32b 0.50d 0.9l [430ss]	2
▲	4 222066	(30000000- 40000000)	Wheel, 03.0d 0.88w 0.50b	2
▲	5 07786	(30000000- 40000000)	Nut, Hex, Std, M8 X 1.25, Ss	2
▲	6 1255358	(30000000- 40000000)	Screw, Btn, M8 X 1.25 X 85, Ss	4
▲	7 1074204	(30000000- 40000000)	Knob,Star,2.75d 4ear 1.1l M8x1.25,Thru,Y	4
▲	8 22290	(30000000- 40000000)	Spring, Cmpr, 0.72od .06wir 02.3l	4
▲	9 32716	(30000000- NOV2021)	Nut, Hex, Jam, M10 X 1.5, Ss	2
▲	10 1034731	(30000000- NOV2021)	Screw, Hex, M6 X 1.00 X 16, Sems, Ss	8
▲	11 1222236	(30000000- NOV2021)	Bracket Wldt, Caster, Rh Sqge[T500]	1
▲	12 1006343	(30000000- 40000000)	Caster, Swivel, 50mmd, M10 X 30, Clr PI	2
▲	13 1222001	(30000000- NOV2021)	Bracket Wldt, Caster, Lh Sqge [T500]	1
▲	14 12277	(30000000- 40000000)	Screw, Hex, M6 X 1.00 X 20, NI, Ss	1
▲	15 01684	(30000000- 40000000)	Washer, Flat, 0.27b 0.69d .05, Ss	1
▲	16 140060	(30000000- 40000000)	Washer, Wave- Spring, .505 .750 .045	1
▲	17 140154	(30000000- 40000000)	Sleeve, P/M, 0.25b 0.38d 0.3l, PI	1
▲	18 1222109	(30000000- 40000000)	Knob, Sqge, 58l, M6 X 1.00, Plstc	1
▲	19 1209631	(30000000- 40000000)	Cover, Trap, Water, Sqge	1
▲	20 1210756	(30000000- 40000000)	Gasket, Trap, Water, Sqge	1
▲▽	21 9015734	(30000000- 40000000)	Blade Kit, 650mm, Linatex (Standard)	1
▲▲	22 1221585	(30000000- 40000000)	Blade, Sqge, Rear, 1166l, Linatex[650mm] (Standard)	1
▲▲	23 1232680	(30000000- 40000000)	Blade, Sqge, Front, 1072l Linard[650mm] (Standard)	1
▲	24 1221260	(30000000- 40000000)	Retainer, Sqge, 65cm [T500]	1
▲	25 1230738	(30000000- NOV2021)	Bracket, Sqge Bumper	2
▽	21 9015735	(30000000- 40000000)	Blade Kit, 650mm, Urethane (Option)	1
▲	22 1228909	(30000000- 40000000)	Blade, Sqge, Rear, 1136l,Urethane[650mm] (Option)	1
▲	23 1228915	(30000000- 40000000)	Blade, Sqge, Front,1072l,Urethane[650mm] (Option)	1
▽	21 9015733	(30000000- 40000000)	Blade Kit, 650mm, Gum (Option)	1
▲	22 1228910	(30000000- 40000000)	Blade, Sqge, Rear, 1136l, Gum[650mm] (Option)	1
▲	23 1228919	(30000000- 40000000)	Blade, Sqge, Front, 1072l Gum[650mm] (Option)	1

▽ ASSEMBLY

▲ INCLUDED IN ASSEMBLY

SQUEEGEE ASSEMBLY, 700MM / 28IN
(New Style 9021742)

355839



SQUEEGEE ASSEMBLY, 700MM / 28IN
(New Style 9021742)

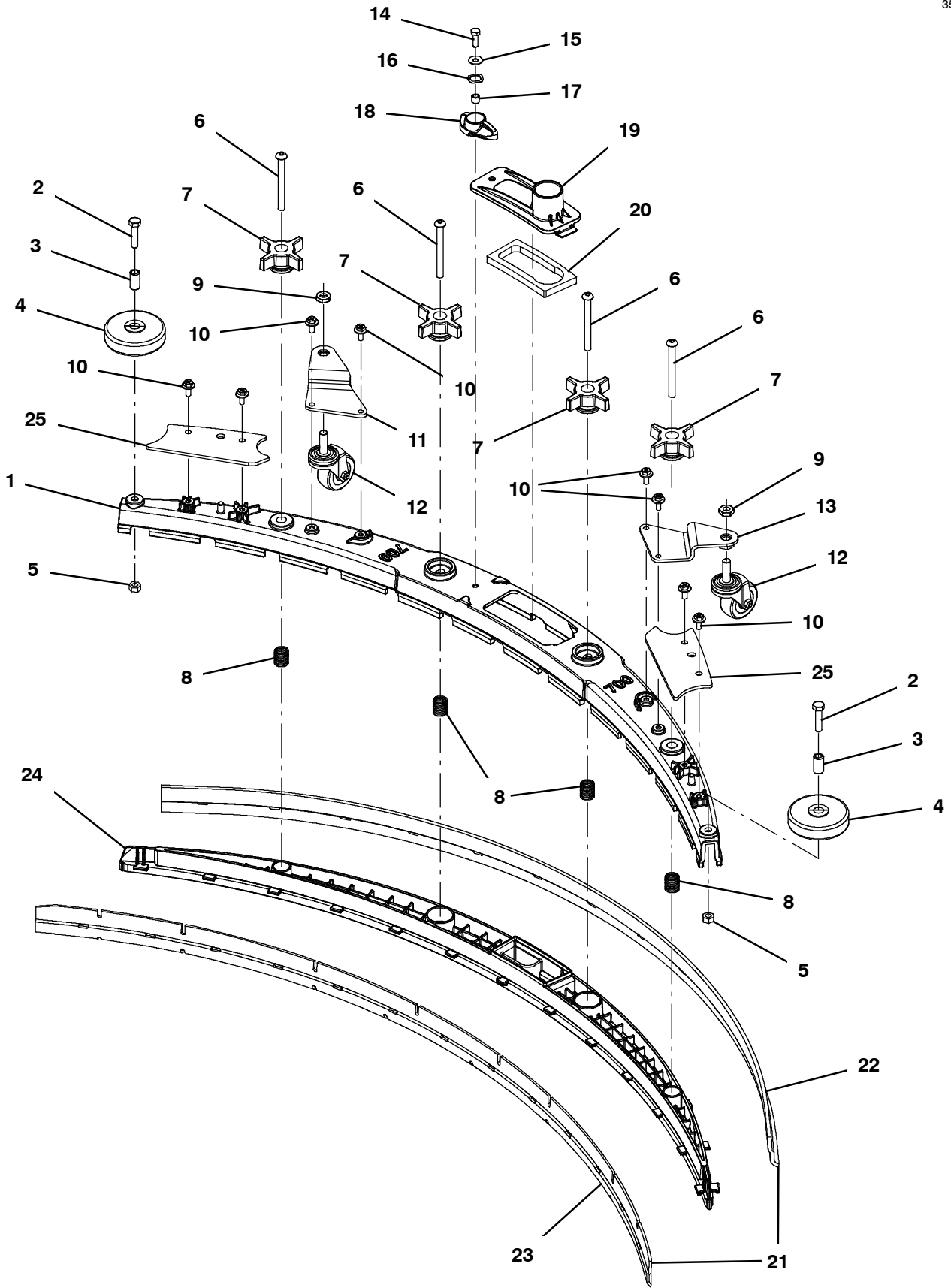
Ref.	Part No.	Serial Number	Description	Qty.
▽	9021742	(DEC2021- 40000000)	Squeegee Kit, 700mm	1
▲	1 1241632	(DEC2021- 40000000)	Frame, Sqge, 70cm, Mach [T500/T600]	1
▲	2 59658	(30000000- 40000000)	Screw, Hex, M8 X 1.25 X 35, NI, Ss	2
▲	3 222496	(30000000- 40000000)	Sleeve, P/M, 0.32b 0.50d 0.9l [430ss]	2
▲	4 222066	(30000000- 40000000)	Wheel, 03.0d 0.88w 0.50b	2
▲	5 07786	(30000000- 40000000)	Nut, Hex, Std, M8 X 1.25, Ss	2
▲	6 1255358	(30000000- 40000000)	Screw, Btn, M8 X 1.25 X 85, Ss	4
▲	7 1074204	(30000000- 40000000)	Knob,Star,2.75d 4ear 1.1l M8x1.25,Thru,Y	4
▲	8 22290	(30000000- 40000000)	Spring, Cmpr, 0.72od .06wir 02.3l	4
▲	9 32716	(DEC2021- 40000000)	Nut, Hex, Jam, M10 X 1.5, Ss	4
▲	10 1034731	(DEC2021- 40000000)	Screw, Hex, M6 X 1.00 X 16, Sems, Ss	4
▲	11 1006343	(30000000- 40000000)	Caster, Swivel, 50mmd, M10 X 30, Clr PI	2
▲	12 1243364	(DEC2021- 40000000)	Plate, Caster, Sqge	2
▲	13 12277	(30000000- 40000000)	Screw, Hex, M6 X 1.00 X 20, NI, Ss	1
▲	14 01684	(30000000- 40000000)	Washer, Flat, 0.27b 0.69d .05, Ss	1
▲	15 140060	(30000000- 40000000)	Washer, Wave- Spring, .505 .750 .045	1
▲	16 140154	(30000000- 40000000)	Sleeve, P/M, 0.25b 0.38d 0.3l, PI	1
▲	17 1222109	(30000000- 40000000)	Knob, Sqge, 58l, M6 X 1.00, Plstc	1
▲	18 1209631	(30000000- 40000000)	Cover, Trap, Water, Sqge	1
▲	19 1210756	(30000000- 40000000)	Gasket, Trap, Water, Sqge	1
▲▽	20 9015737	(30000000- 40000000)	Blade Kit, 700mm, Linatex/Linard (Standard)	1
▲▲	21 1221572	(30000000- 40000000)	Blade, Sqge, Rear, 1204l, Linatex[700mm] (Standard)	1
▲▲	22 1232679	(30000000- 40000000)	Blade, Sqge, Front, 1148l Linard[700mm] (Standard)	1
▲	23 1220783	(30000000- 40000000)	Retainer, Sqge, 70cm [T500]	1
▽	20 9015738	(30000000- 40000000)	Blade Kit, 700mm, Urethane (Option)	1
▲	21 1228904	(30000000- 40000000)	Blade, Sqge, Rear, 1204l,Urethane[700mm] (Option)	1
▲	22 1228906	(30000000- 40000000)	Blade, Sqge, Front,1148l Urethane[700mm] (Option)	1
▽	20 9015736	(30000000- 40000000)	Blade Kit, 700mm, Gum (Option)	1
▲	21 1228905	(30000000- 40000000)	Blade, Sqge, Rear, 1204l, Gum[700mm] (Option)	1
▲	22 1228907	(30000000- 40000000)	Blade, Sqge, Front, 1148l Gum[700mm] (Option)	1

▽ ASSEMBLY

▲ INCLUDED IN ASSEMBLY

SQUEEGEE ASSEMBLY, 700MM / 28IN
(Original Style 9015302 - Replaced By 9021742)

355439



SQUEEGEE ASSEMBLY, 700MM / 28IN
(Original Style 9015302 - Replaced By 9021742)

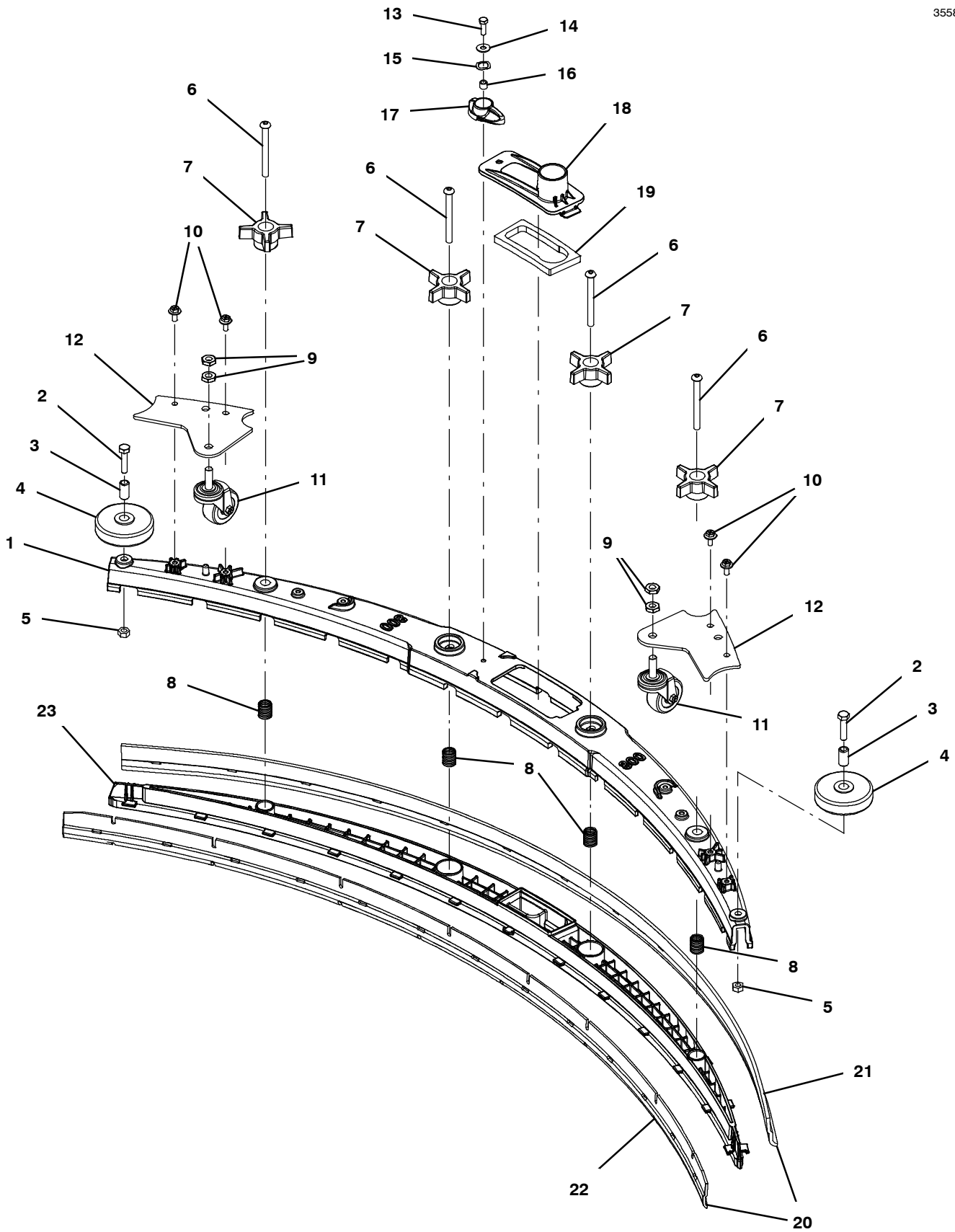
Ref.	Part No.	Serial Number	Description	Qty.
▽	9015302	(30000000- NOV2021)	Squeegee Kit, 700mm, Ci	1
▲	1 1241632	(30000000- NOV2021)	Frame, Sqge, 70cm, Mach [T500/T600]	1
▲	2 59658	(30000000- 40000000)	Screw, Hex, M8 X 1.25 X 35, NI, Ss	2
▲	3 222496	(30000000- 40000000)	Sleeve, P/M, 0.32b 0.50d 0.9l [430ss]	2
▲	4 222066	(30000000- 40000000)	Wheel, 03.0d 0.88w 0.50b	2
▲	5 07786	(30000000- 40000000)	Nut, Hex, Std, M8 X 1.25, Ss	2
▲	6 1255358	(30000000- 40000000)	Screw, Btn, M8 X 1.25 X 85, Ss	4
▲	7 1074204	(30000000- 40000000)	Knob,Star,2.75d 4ear 1.1l M8x1.25,Thru,Y	4
▲	8 22290	(30000000- 40000000)	Spring, Cmpr, 0.72od .06wir 02.3l	4
▲	9 32716	(30000000- NOV2021)	Nut, Hex, Jam, M10 X 1.5, Ss	2
▲	10 1034731	(30000000- NOV2021)	Screw, Hex, M6 X 1.00 X 16, Sems, Ss	8
▲	11 1222236	(30000000- NOV2021)	Bracket Wldt, Caster, Rh Sqge[T500]	1
▲	12 1006343	(30000000- 40000000)	Caster, Swivel, 50mmd, M10 X 30, Clr PI	2
▲	13 1222001	(30000000- NOV2021)	Bracket Wldt, Caster, Lh Sqge [T500]	1
▲	14 12277	(30000000- 40000000)	Screw, Hex, M6 X 1.00 X 20, NI, Ss	1
▲	15 01684	(30000000- 40000000)	Washer, Flat, 0.27b 0.69d .05, Ss	1
▲	16 140060	(30000000- 40000000)	Washer, Wave- Spring, .505 .750 .045	1
▲	17 140154	(30000000- 40000000)	Sleeve, P/M, 0.25b 0.38d 0.3l, PI	1
▲	18 1222109	(30000000- 40000000)	Knob, Sqge, 58l, M6 X 1.00, Plstc	1
▲	19 1209631	(30000000- 40000000)	Cover, Trap, Water, Sqge	1
▲	20 1210756	(30000000- 40000000)	Gasket, Trap, Water, Sqge	1
▲▽	21 9015737	(30000000- 40000000)	Blade Kit, 700mm, Linatex (Standard)	1
▲▲	22 1221572	(30000000- 40000000)	Blade, Sqge, Rear, 1204l, Linatex[700mm] (Standard)	1
▲▲	23 1232679	(30000000- 40000000)	Blade, Sqge, Front, 1148l Linard[700mm] (Standard)	1
▲	24 1220783	(30000000- 40000000)	Retainer, Sqge, 70cm [T500]	1
▲	25 1230738	(30000000- NOV2021)	Bracket, Sqge Bumper	2
▽	21 9015738	(30000000- 40000000)	Blade Kit, 700mm, Urethane (Option)	1
▲	22 1228904	(30000000- 40000000)	Blade, Sqge, Rear, 1204l,Urethane[700mm] (Option)	1
▲	23 1228906	(30000000- 40000000)	Blade, Sqge, Front,1148l Urethane[700mm] (Option)	1
▽	21 9015736	(30000000- 40000000)	Blade Kit, 700mm, Gum (Option)	1
▲	22 1228905	(30000000- 40000000)	Blade, Sqge, Rear, 1204l, Gum[700mm] (Option)	1
▲	23 1228907	(30000000- 40000000)	Blade, Sqge, Front, 1148l Gum[700mm] (Option)	1

▽ ASSEMBLY

▲ INCLUDED IN ASSEMBLY

SQUEEGEE ASSEMBLY, 800MM / 32IN
(New Style 9021743)

355840



**SQUEEGEE ASSEMBLY, 800MM / 32IN
(New Style 9021743)**

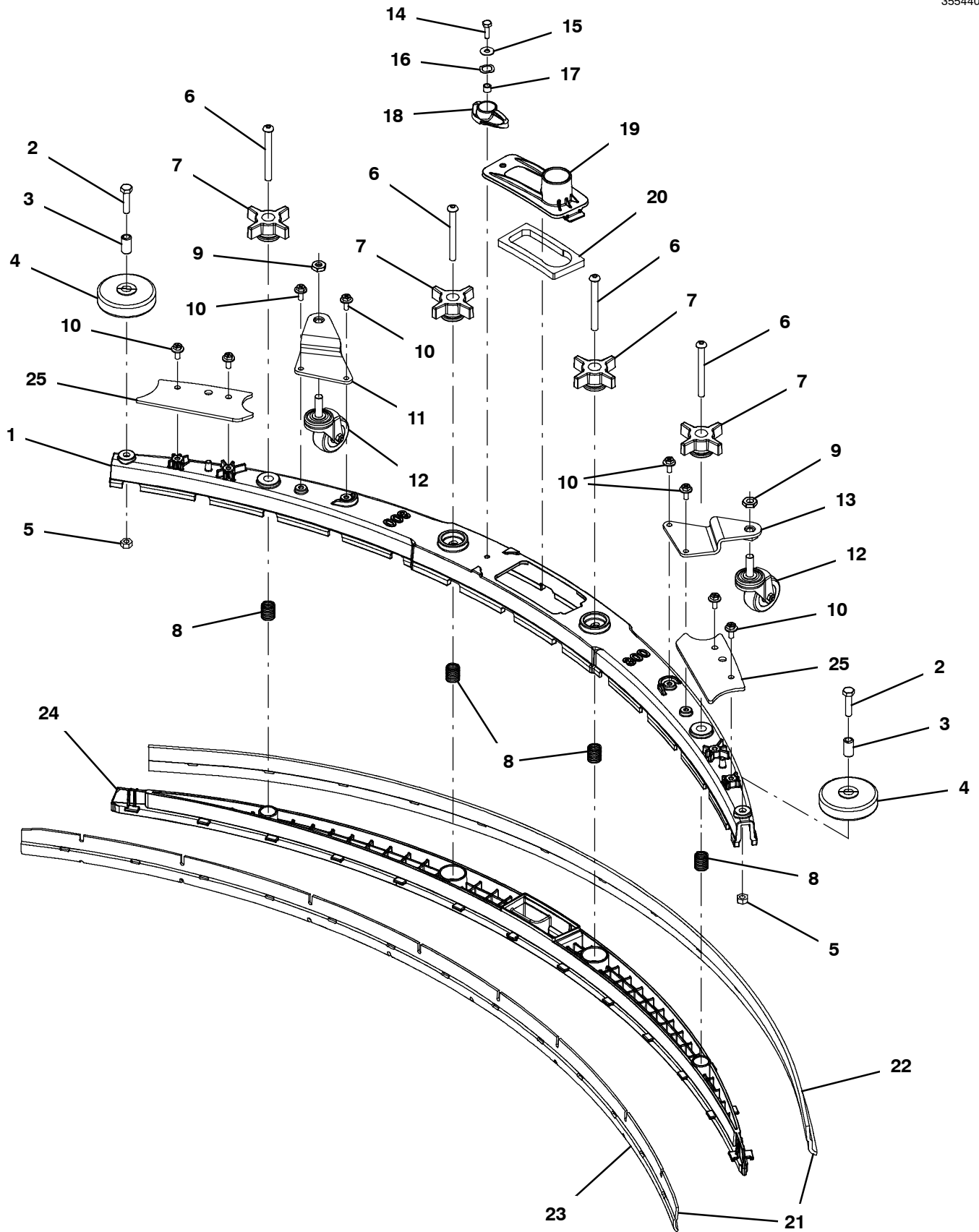
Ref.	Part No.	Serial Number	Description	Qty.
▽	9021743	(DEC2021- 40000000)	Squeegee Kit, 800mm	1
▲	1 1243538	(DEC2021- 40000000)	Frame, Sqge, 80cm, Mach [T500/T600]	1
▲	2 59658	(30000000- 40000000)	Screw, Hex, M8 X 1.25 X 35, NI, Ss	2
▲	3 222496	(30000000- 40000000)	Sleeve, P/M, 0.32b 0.50d 0.9l [430ss]	2
▲	4 222066	(30000000- 40000000)	Wheel, 03.0d 0.88w 0.50b	2
▲	5 07786	(30000000- 40000000)	Nut, Hex, Std, M8 X 1.25, Ss	2
▲	6 1255358	(30000000- 40000000)	Screw, Btn, M8 X 1.25 X 85, Ss	4
▲	7 1074204	(30000000- 40000000)	Knob,Star,2.75d 4ear 1.1l M8x1.25,Thru,Y	4
▲	8 22290	(30000000- 40000000)	Spring, Cmpr, 0.72od .06wir 02.3l	4
▲	9 32716	(DEC2021- 40000000)	Nut, Hex, Jam, M10 X 1.5, Ss	4
▲	10 1034731	(DEC2021- 40000000)	Screw, Hex, M6 X 1.00 X 16, Sems, Ss	4
▲	11 1006343	(30000000- 40000000)	Caster, Swivel, 50mmd, M10 X 30, Clr PI	2
▲	12 1243364	(DEC2021- 40000000)	Plate, Caster, Sqge	2
▲	13 12277	(30000000- 40000000)	Screw, Hex, M6 X 1.00 X 20, NI, Ss	1
▲	14 01684	(30000000- 40000000)	Washer, Flat, 0.27b 0.69d .05, Ss	1
▲	15 140060	(30000000- 40000000)	Washer, Wave- Spring, .505 .750 .045	1
▲	16 140154	(30000000- 40000000)	Sleeve, P/M, 0.25b 0.38d 0.3l, PI	1
▲	17 1222109	(30000000- 40000000)	Knob, Sqge, 58l, M6 X 1.00, Plstc	1
▲	18 1209631	(30000000- 40000000)	Cover, Trap, Water, Sqge	1
▲	19 1210756	(30000000- 40000000)	Gasket, Trap, Water, Sqge	1
▲▽	20 9015740	(30000000- 40000000)	Blade Kit, 800mm, Linatex/Linard (Standard)	1
▲▲	21 1221115	(30000000- 40000000)	Blade, Sqge, Rear, 1306l, Linatex[800mm] (Standard)	1
▲▲	22 1232681	(30000000- 40000000)	Blade, Sqge, Front, 1256l Linard[800mm] (Standard)	1
▲	23 1219405	(30000000- 40000000)	Retainer, Sqge, 80cm [T500]	1
▽	20 9015741	(30000000- 40000000)	Blade Kit, 800mm, Urethane (Option)	1
▲	21 1228920	(30000000- 40000000)	Blade, Sqge, Rear, 1306l,Urethane[800mm] (Option)	1
▲	22 1228922	(30000000- 40000000)	Blade, Sqge, Front,1256l Urethane[800mm] (Option)	1
▽	20 9015739	(30000000- 40000000)	Blade Kit, 800mm, Gum (Option)	1
▲	21 1228921	(30000000- 40000000)	Blade, Sqge, Rear, 1306l, Gum[800mm] (Option)	1
▲	22 1228923	(30000000- 40000000)	Blade, Sqge, Front, 1256l Gum[800mm] (Option)	1

▽ ASSEMBLY

▲ INCLUDED IN ASSEMBLY

SQUEEGEE ASSEMBLY, 800MM / 32IN
(Original Style 9015303 - Replaced By 9021743)

355440



SQUEEGEE ASSEMBLY, 800MM / 32IN
(Original Style 9015303 - Replaced By 9021743)

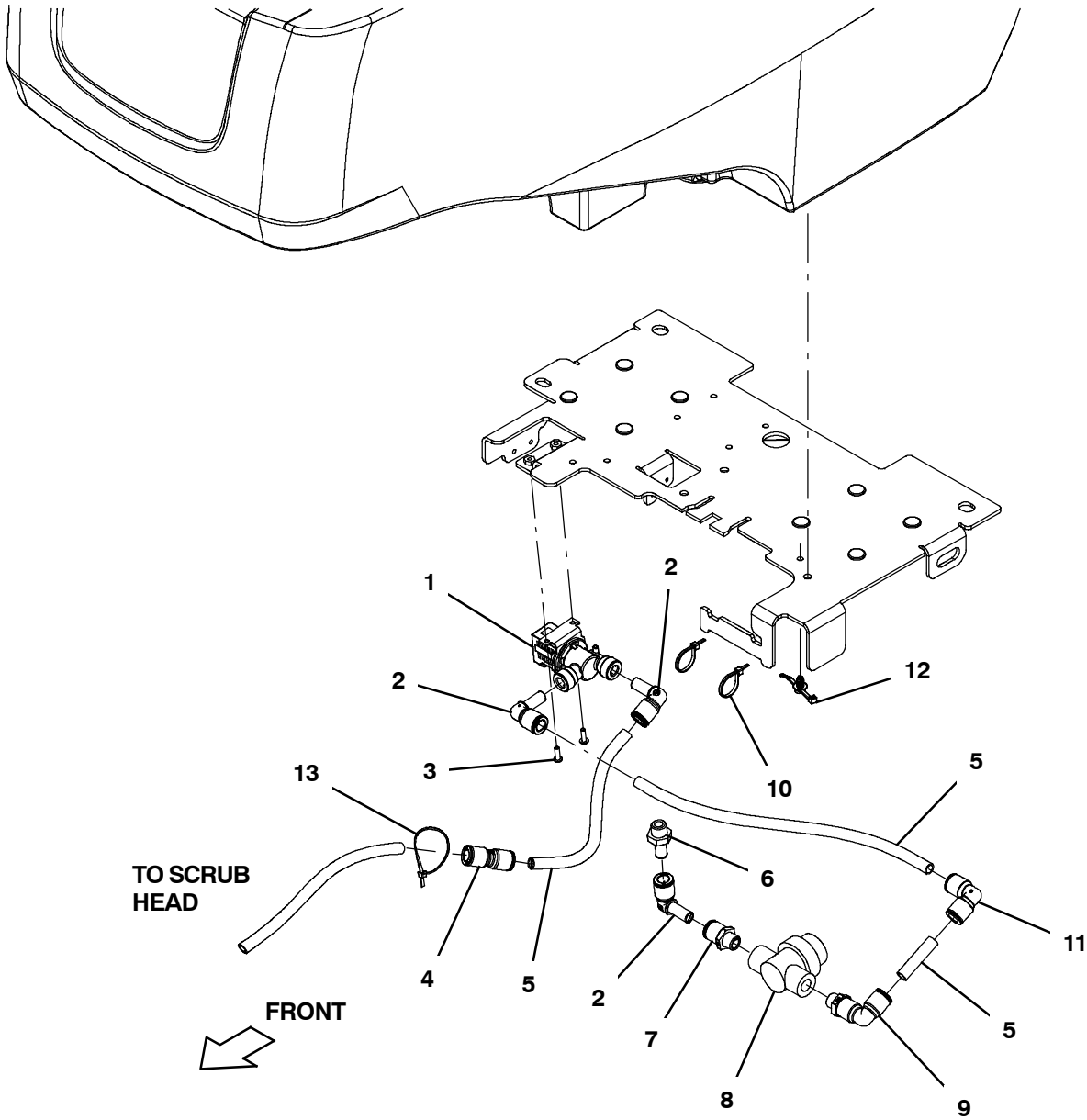
Ref.	Part No.	Serial Number	Description	Qty.
▽	9015303	(30000000- NOV2021)	Squeegee Kit, 800mm, Ci	1
▲	1 1243538	(30000000- NOV2021)	Frame, Sqge, 80cm, Mach [T500/T600]	1
▲	2 59658	(30000000- 40000000)	Screw, Hex, M8 X 1.25 X 35, NI, Ss	2
▲	3 222496	(30000000- 40000000)	Sleeve, P/M, 0.32b 0.50d 0.9l [430ss]	2
▲	4 222066	(30000000- 40000000)	Wheel, 03.0d 0.88w 0.50b	2
▲	5 07786	(30000000- 40000000)	Nut, Hex, Std, M8 X 1.25, Ss	2
▲	6 1255358	(30000000- 40000000)	Screw, Btn, M8 X 1.25 X 85, Ss	4
▲	7 1074204	(30000000- 40000000)	Knob,Star,2.75d 4ear 1.1l M8x1.25,Thru,Y	4
▲	8 22290	(30000000- 40000000)	Spring, Cmpr, 0.72od .06wir 02.3l	4
▲	9 32716	(30000000- NOV2021)	Nut, Hex, Jam, M10 X 1.5, Ss	2
▲	10 1034731	(30000000- NOV2021)	Screw, Hex, M6 X 1.00 X 16, Sems, Ss	8
▲	11 1222236	(30000000- NOV2021)	Bracket Wldt, Caster, Rh Sqge[T500]	1
▲	12 1006343	(30000000- 40000000)	Caster, Swivel, 50mmd, M10 X 30, Clr PI	2
▲	13 1222001	(30000000- NOV2021)	Bracket Wldt, Caster, Lh Sqge [T500]	1
▲	14 12277	(30000000- 40000000)	Screw, Hex, M6 X 1.00 X 20, NI, Ss	1
▲	15 01684	(30000000- 40000000)	Washer, Flat, 0.27b 0.69d .05, Ss	1
▲	16 140060	(30000000- 40000000)	Washer, Wave- Spring, .505 .750 .045	1
▲	17 140154	(30000000- 40000000)	Sleeve, P/M, 0.25b 0.38d 0.3l, PI	1
▲	18 1222109	(30000000- 40000000)	Knob, Sqge, 58l, M6 X 1.00, Plstc	1
▲	19 1209631	(30000000- 40000000)	Cover, Trap, Water, Sqge	1
▲	20 1210756	(30000000- 40000000)	Gasket, Trap, Water, Sqge	1
▲▽	21 9015740	(30000000- 40000000)	Blade Kit, 800mm, Linatex (Standard)	1
▲▲	22 1221115	(30000000- 40000000)	Blade, Sqge, Rear, 1306l, Linatex[800mm] (Standard)	1
▲▲	23 1232681	(30000000- 40000000)	Blade, Sqge, Front, 1256l Linard[800mm] (Standard)	1
▲	24 1219894	(30000000- 40000000)	Frame, Sqge, 80cm, Mach [T500]	1
▲	25 1230738	(30000000- NOV2021)	Bracket, Sqge Bumper	2
▽	21 9015741	(30000000- 40000000)	Blade Kit, 800mm, Urethane (Option)	1
▲	22 1228920	(30000000- 40000000)	Blade, Sqge, Rear, 1306l,Urethane[800mm] (Option)	1
▲	23 1228922	(30000000- 40000000)	Blade, Sqge, Front,1256l Urethane[800mm] (Option)	1
▽	21 9015739	(30000000- 40000000)	Blade Kit, 800mm, Gum (Option)	1
▲	22 1228921	(30000000- 40000000)	Blade, Sqge, Rear, 1306l, Gum[800mm] (Option)	1
▲	23 1228923	(30000000- 40000000)	Blade, Sqge, Front, 1256l Gum[800mm] (Option)	1

▽ ASSEMBLY

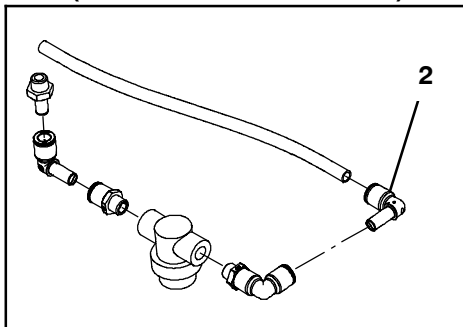
▲ INCLUDED IN ASSEMBLY

STANDARD SOLUTION GROUP

355468



(S/N 30000000 - xxxxxxxx)



STANDARD SOLUTION GROUP

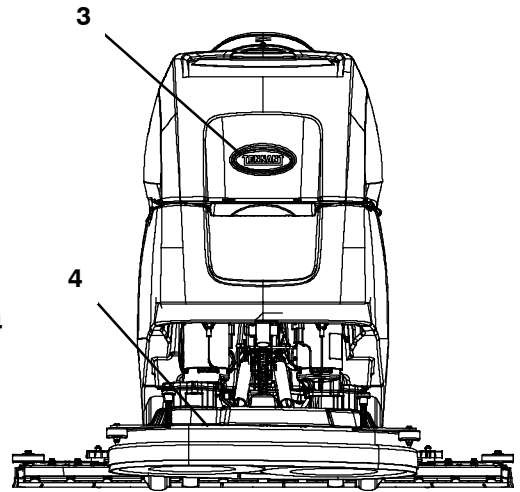
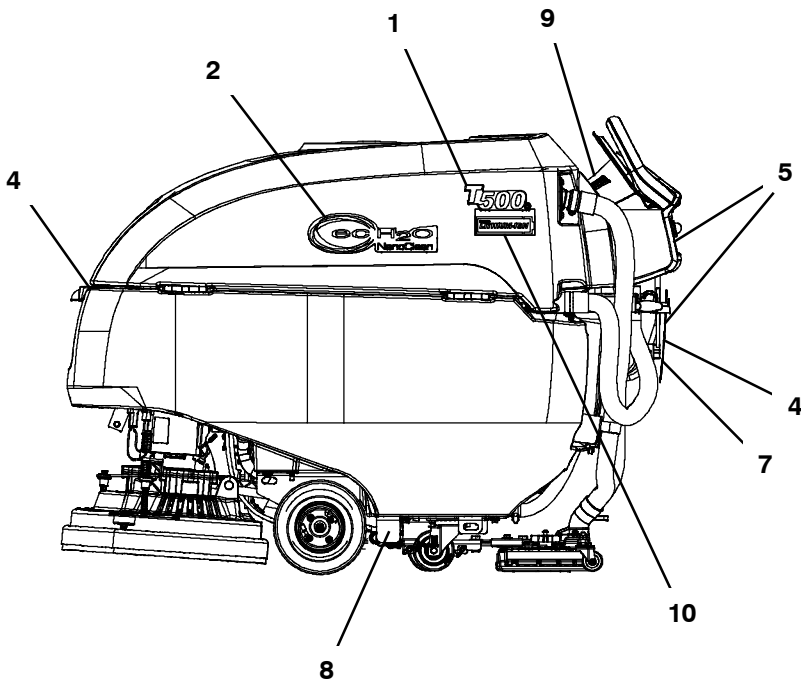
Ref.	Part No.	Serial Number	Description	Qty.	
1	1211424	(30000000- 40000000)	Valve, Water, Solenoid, 24vdc Qf08/Qf08	1	
2	1212809	(xxxxxxx- 40000000)	Fitting, Plstc, E90, Qf08/Qm08	3	
2	1212809	(30000000- xxxxxxx)	Fitting, Plstc, E90, Qf08/Qm08	4	
3	1205799	(30000000- 40000000)	Screw, Btn, M5 X 0.8 X 16, 8.8, NI, Torx	2	
4	1212859	(30000000- 40000000)	Fitting, Plstc, Str, Qf08/Qf08	1	
5	9014145	(30000000- 40000000)	Hose, Afrmkt, Pe, .375id .50od, 05ft	1	
6	1227552	(30000000- 40000000)	Fitting, Plstc, Str, Qm08/Pm06	1	
7	1212813	(30000000- 40000000)	Fitting, Plstc, Str, Qf08/Pm06	1	
▽	8	1211537	(30000000- 40000000)	Filter, In- Line, Pf06/Pf06 080m 2.6l Epd	1
▲		1218885	(30000000- 40000000)	Gasket [Epdm, F/1211537]	1
▲		1218883	(30000000- 40000000)	Screen, Fltr, 80 Mesh, Ss [W/ Cage]	1
▲		613991	(30000000- 40000000)	Bowl, Clr, Short, F/1005302	1
	9	1212987	(30000000- 40000000)	Fitting, Plstc, E90, Qf08/Pm06, Swivel	1
	10	130773	(30000000- 40000000)	Tie, Cable, Nyl, 11.0l, .14w, 3.0 Max. D	2
	11	1221945	(xxxxxxx- 40000000)	Fitting, Plstc, E90, Qf08/Qf08	1
	12	1210807	(xxxxxxx- 40000000)	Wire, Tie [W/.25" Fir Tree Clip]	1
	13	130773	(30000000- 40000000)	Tie, Cable, Nyl, 11.0l, .14w, 3.0 Max. D	1

▽ ASSEMBLY

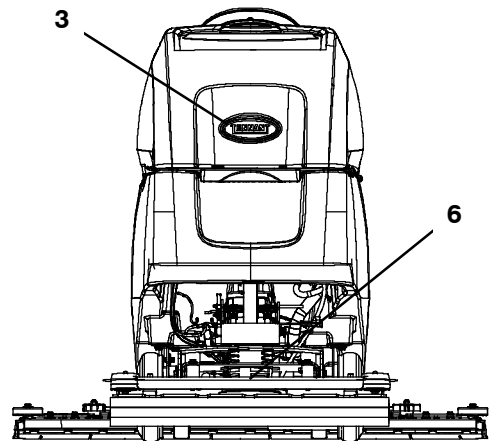
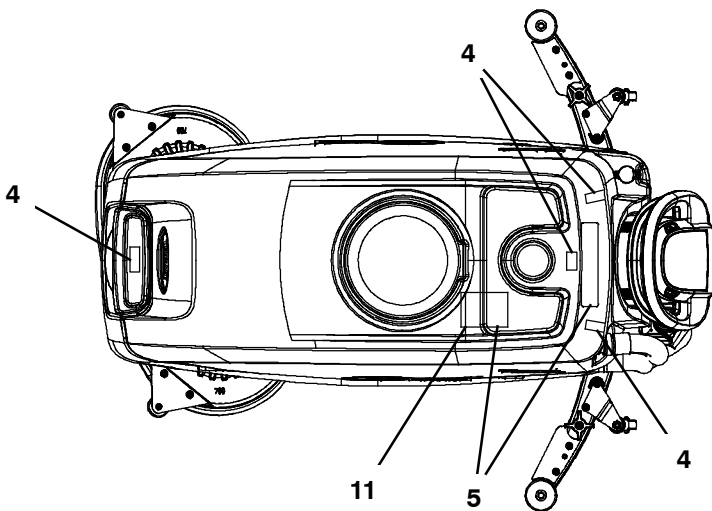
▲ INCLUDED IN ASSEMBLY

LABEL GROUP

355669



DISK & CYLINDRICAL HEAD

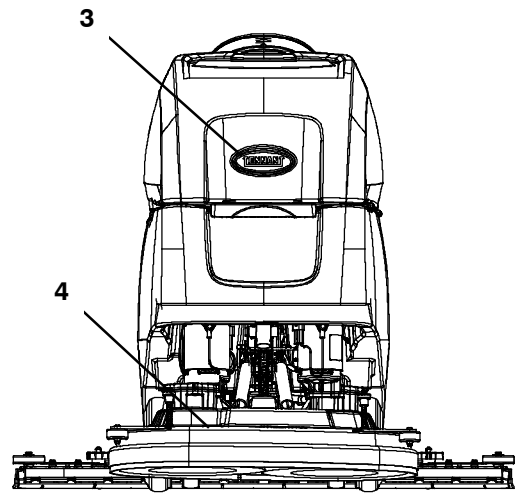
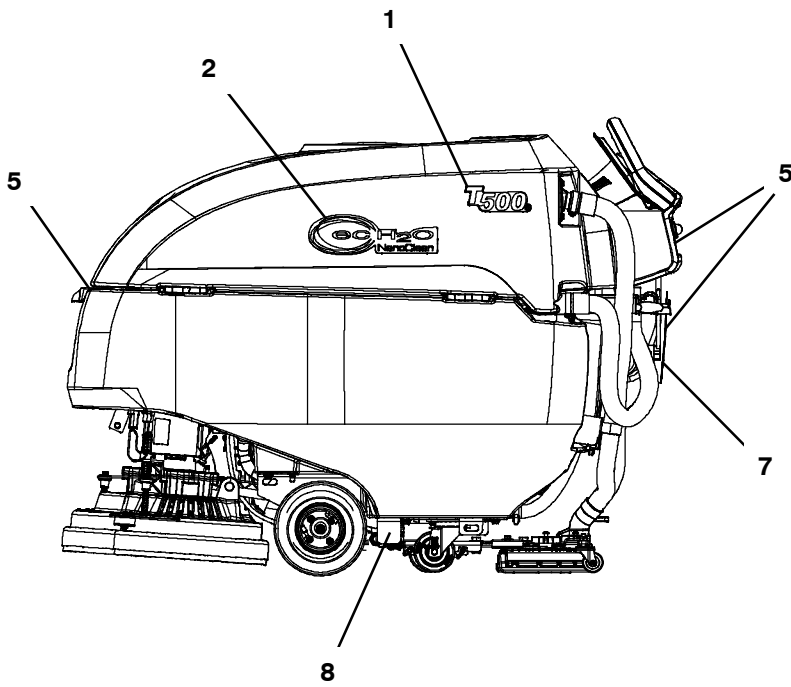


ORBITAL HEAD

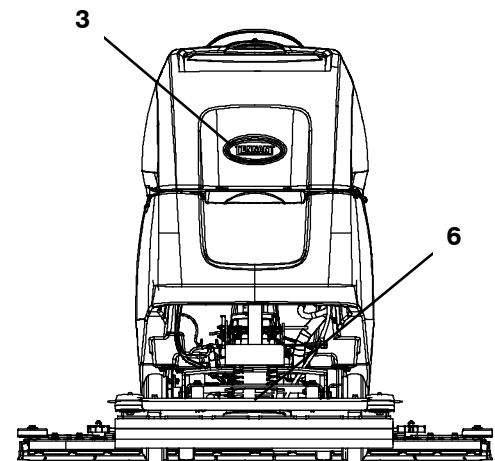
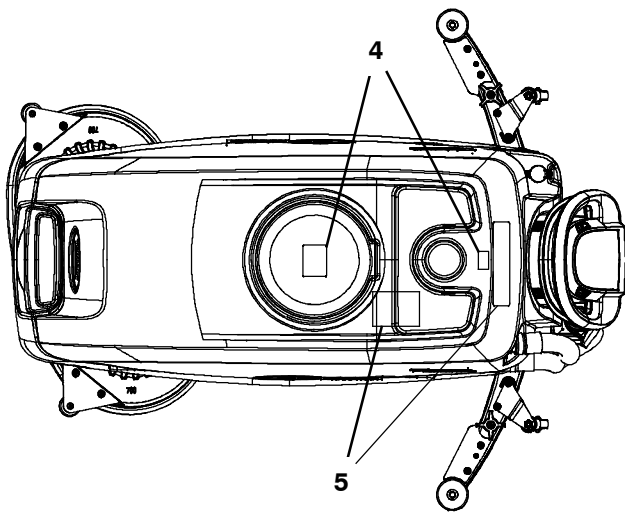
Ref.	Part No.	Serial Number	Description	Qty.
1	1224984	(30000000- 40000000)	Label, T500e	2
2	1216520	(30000000- 40000000)	Label, Logo [Ech2o Nano]	2
3	1213114	(30000000- 40000000)	Label, Logo, 05.5l, Blk/Sil [Tennant]	1
4	1220963	(30000000- 40000000)	Label Sheet, Info/Hzrd [T500, Ce]	1
5	1220965	(30000000- 40000000)	Label Sheet, Operational [T500]	1
6	1224995	(30000000- 40000000)	Label, Orbital, Size, 70cm	1
7	1225763	(30000000- 40000000)	Label, Decal, Charger, Off- Board	1
7	1247344	(30000000- 40000000)	Label, Decal, Charger, Off- Board,[Ch] (China - Lithium- Ion Model)	1
8	1231798	(xxxxxxx- 40000000)	Label, Info, Filter	1
9	1229725	(30000000- 40000000)	Label, Warning [Do Not Spray] (Australia Only)	1
10	1242515	(30000000- 40000000)	Label, Logo, Lithium- Ion (China - Lithium- Ion Model)	1
11	1248893	(30000000- 40000000)	Label, Instr, Battery [Ch] (China - Lithium- Ion Model)	1

LABEL GROUP (JAPAN)

355500



DISK & CYLINDRICAL HEAD

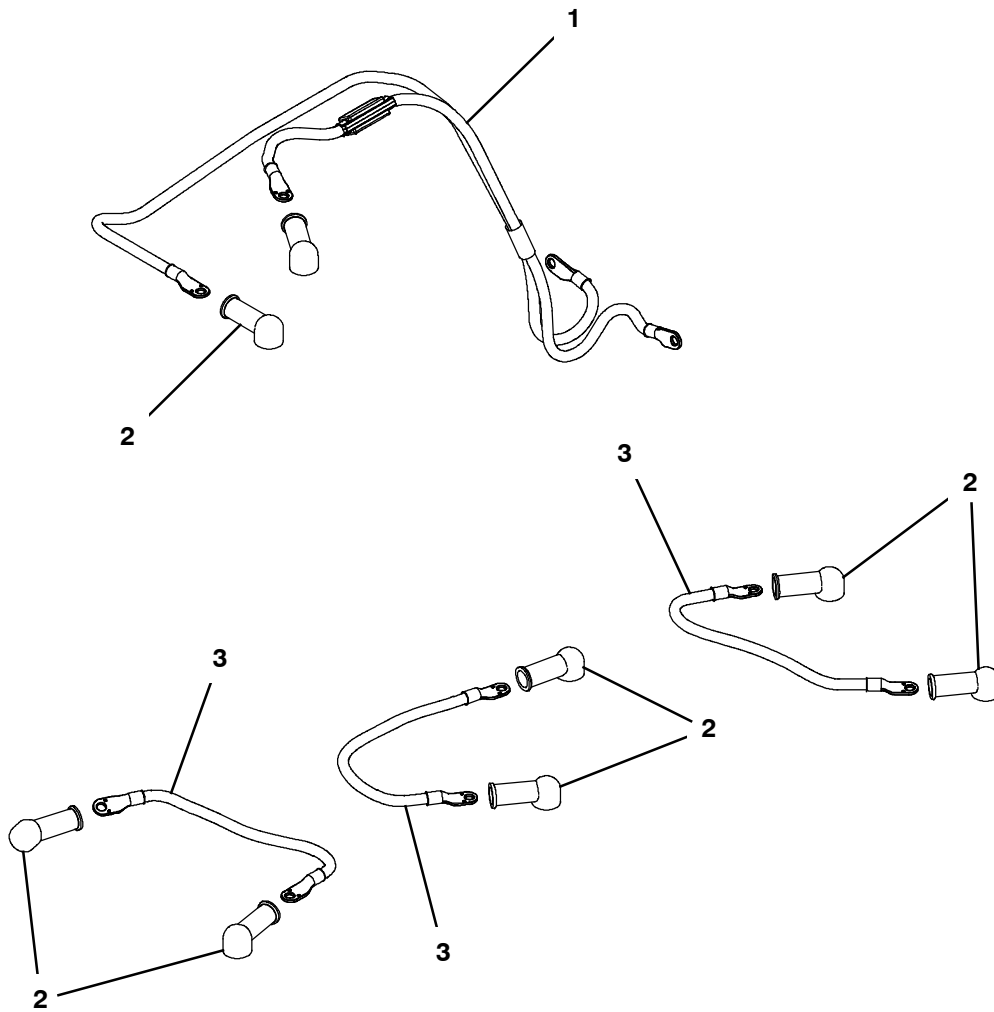


ORBITAL HEAD

Ref.	Part No.	Serial Number	Description	Qty.
1	1224984	(30000000- 40000000)	Label, T500e	2
2	1216520	(30000000- 40000000)	Label, Logo [Ech2o Nano]	2
3	1213114	(30000000- 40000000)	Label, Logo, 05.5l, Blk/Sil [Tennant]	1
4	1220966	(30000000- 40000000)	Label Sheet, Data [T500, Jp]	1
5	1220965	(30000000- 40000000)	Label Sheet, Operational [T500]	1
6	1224995	(30000000- 40000000)	Label, Orbital, Size, 70cm	1
7	1225763	(30000000- 40000000)	Label, Decal, Charger, Off- Board	1
8	1231798	(xxxxxxx- 40000000)	Label, Info, Filter	1

STANDARD BATTERY CABLES GROUP

355463

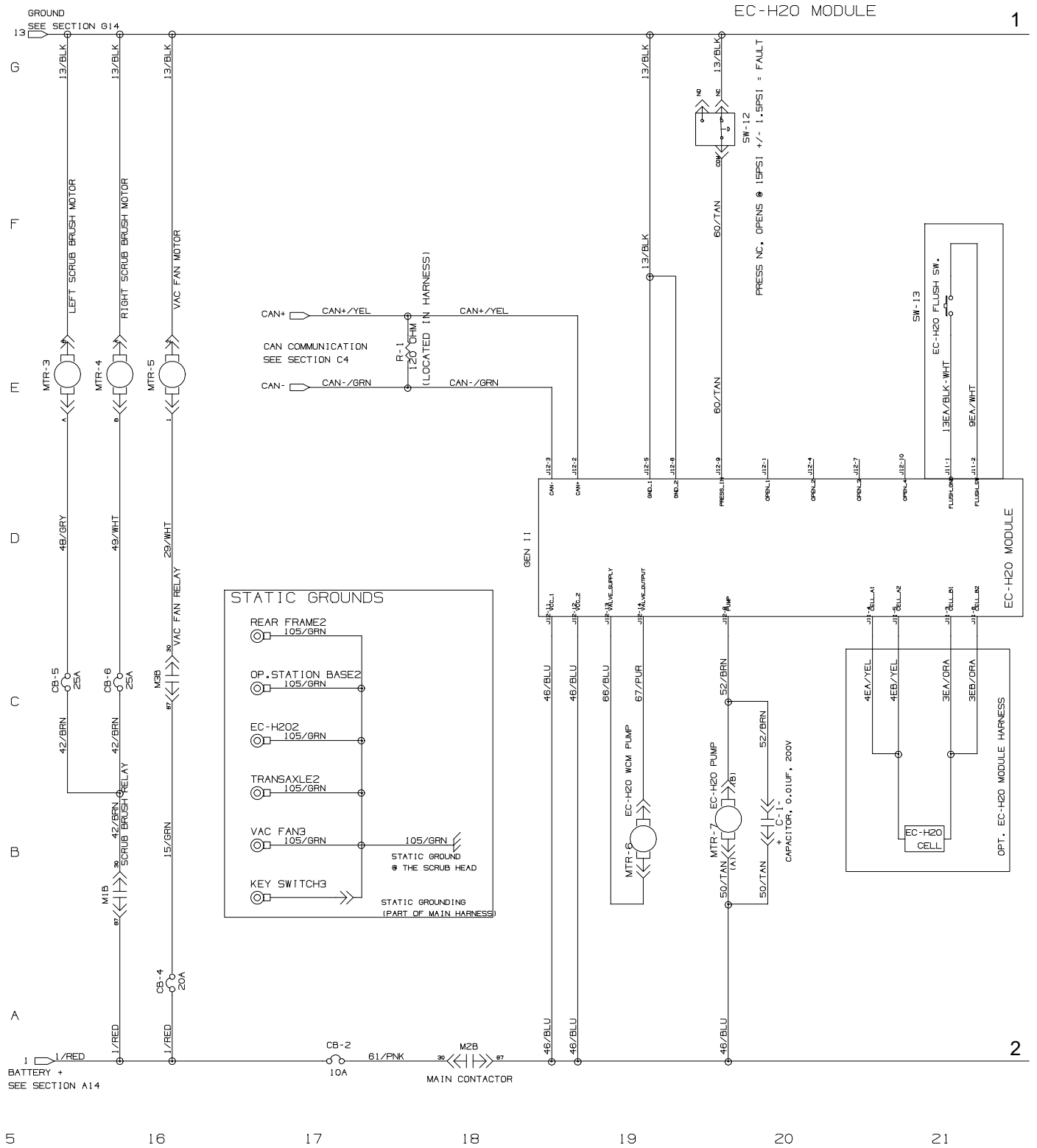


Ref.	Part No.	Serial Number	Description	Qty.
1	1074942	(30000000- 40000000)	Cable, Assy [T500,T500e]	1
2	611221	(30000000- 40000000)	Boot, Terminal, Battery, 25.4mm, Blk	8
3	1073680	(30000000- 40000000)	Cable, 04ga 15.0l Blk [M8 Ring/M8 Ring]	3

ELECTRICAL DIAGRAM (PAGE 5 OF 6)
(S/N JUN2021 -)

1075167_02

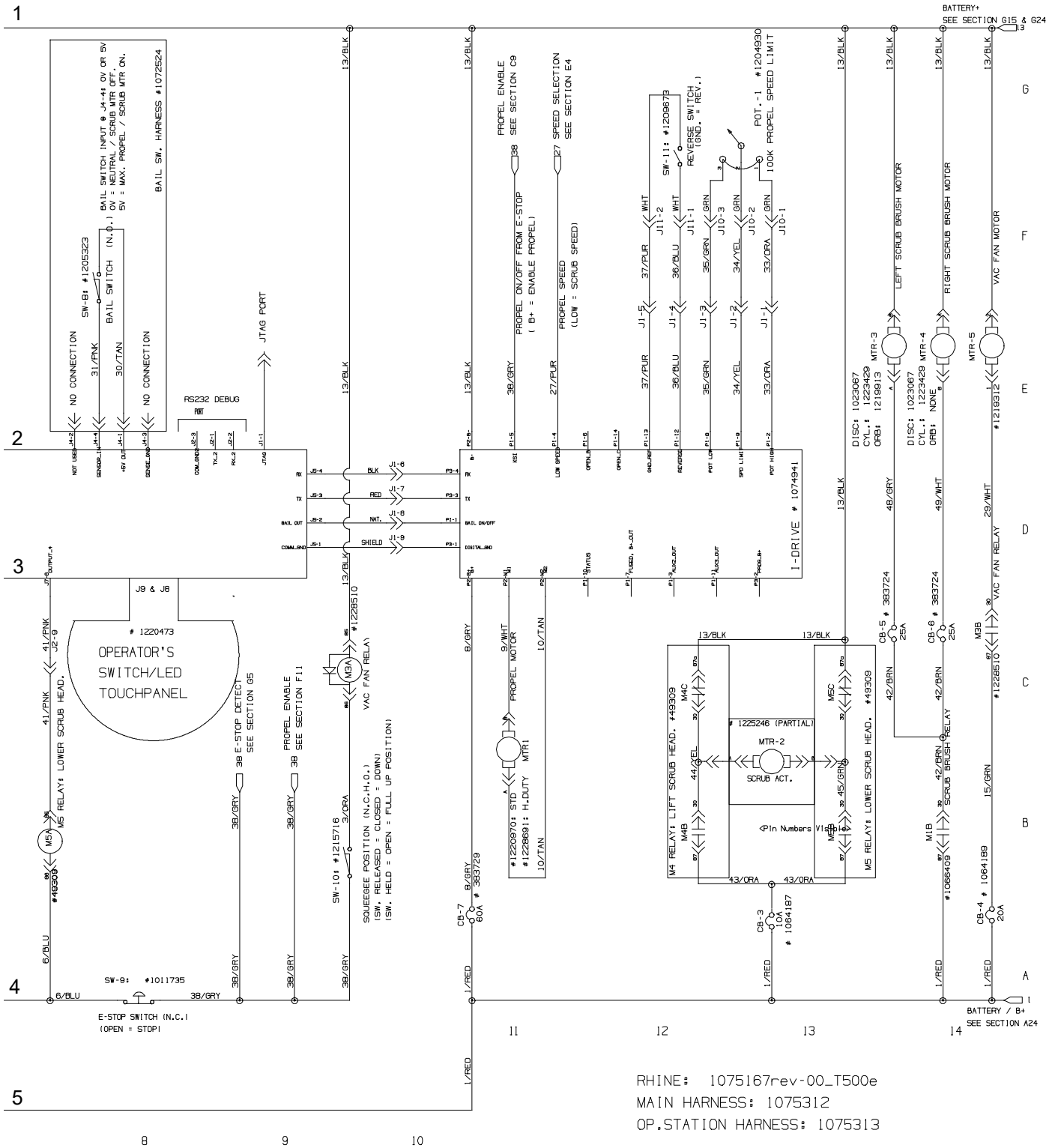
T500e, COMMON



ELECTRICAL DIAGRAM (PAGE 2 OF 4)
(S/N 3000000 - MAY2021)

1075167_00

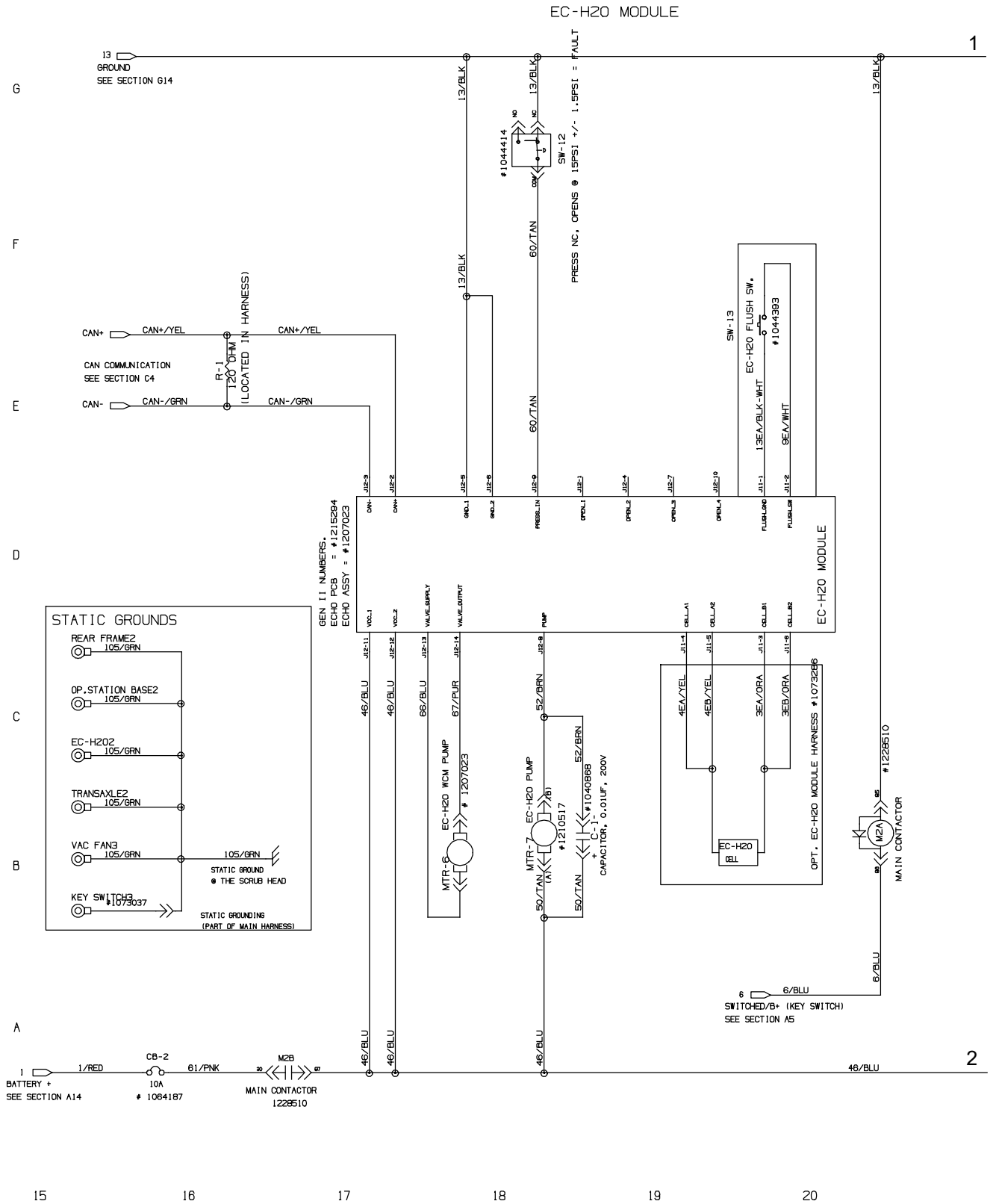
PROPEL SYSTEM



RHINE: 1075167rev-00_T500e
MAIN HARNESS: 1075312
OP.STATION HARNESS: 1075313

ELECTRICAL DIAGRAM (PAGE 3 OF 4)
(S/N 3000000 - MAY2021)

1075167_00

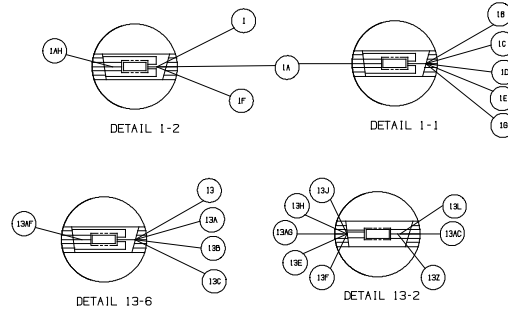
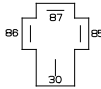


ELECTRICAL HARNESS, MAIN (PAGE 1 OF 6)
(S/N JUN2021 -)

1076839_00

TO: M2: MAIN RELAY		TO: M3: VAC FAN RELAY	
WIRE NO.	REF. RELAY	WIRE NO.	REF. RELAY
61/PNK	30	29/WHT	30
13H/BLK	85	13J/BLK	85
46/BLU	87	15/GRN	87
67/BLU	86	3/ORA	86

BACK VIEW OF "AP".
WHERE WIRES ENTER.

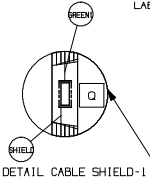


WIRE NO.	REF. RELAY
44/YEL	30
40/TAN	85
13E/BLK	87A
43A/ORA	87
6E/BLU	86

TO: M4: SCRUB HEAD ACT. LABEL(1): M4: SCRUB HEAD ACT.

TO: M5: SCRUB HEAD ACT. LABEL(1): M5: SCRUB HEAD ACT.

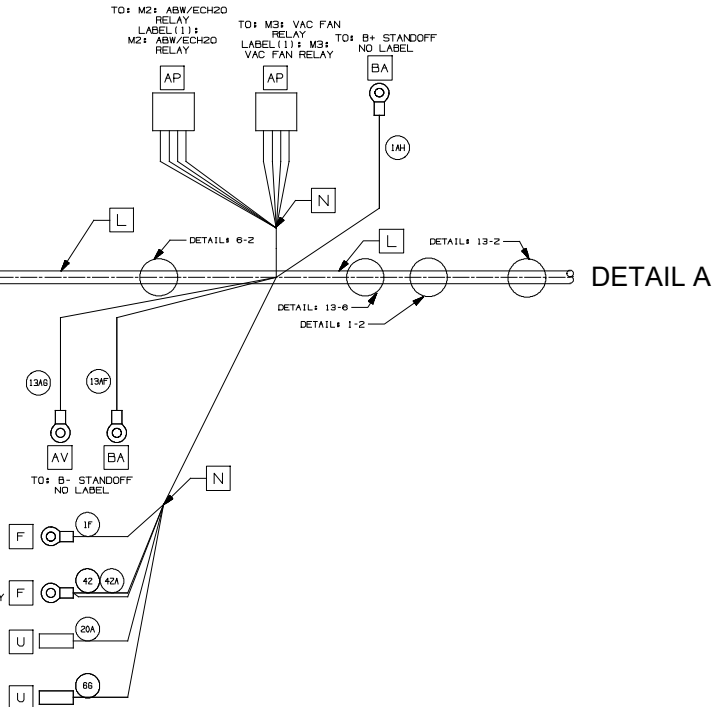
CONNECT THESE TWO RELAY CONNECTOR BODIES TOGETHER.



BACK VIEW OF "E".
WHERE WIRES ENTER.

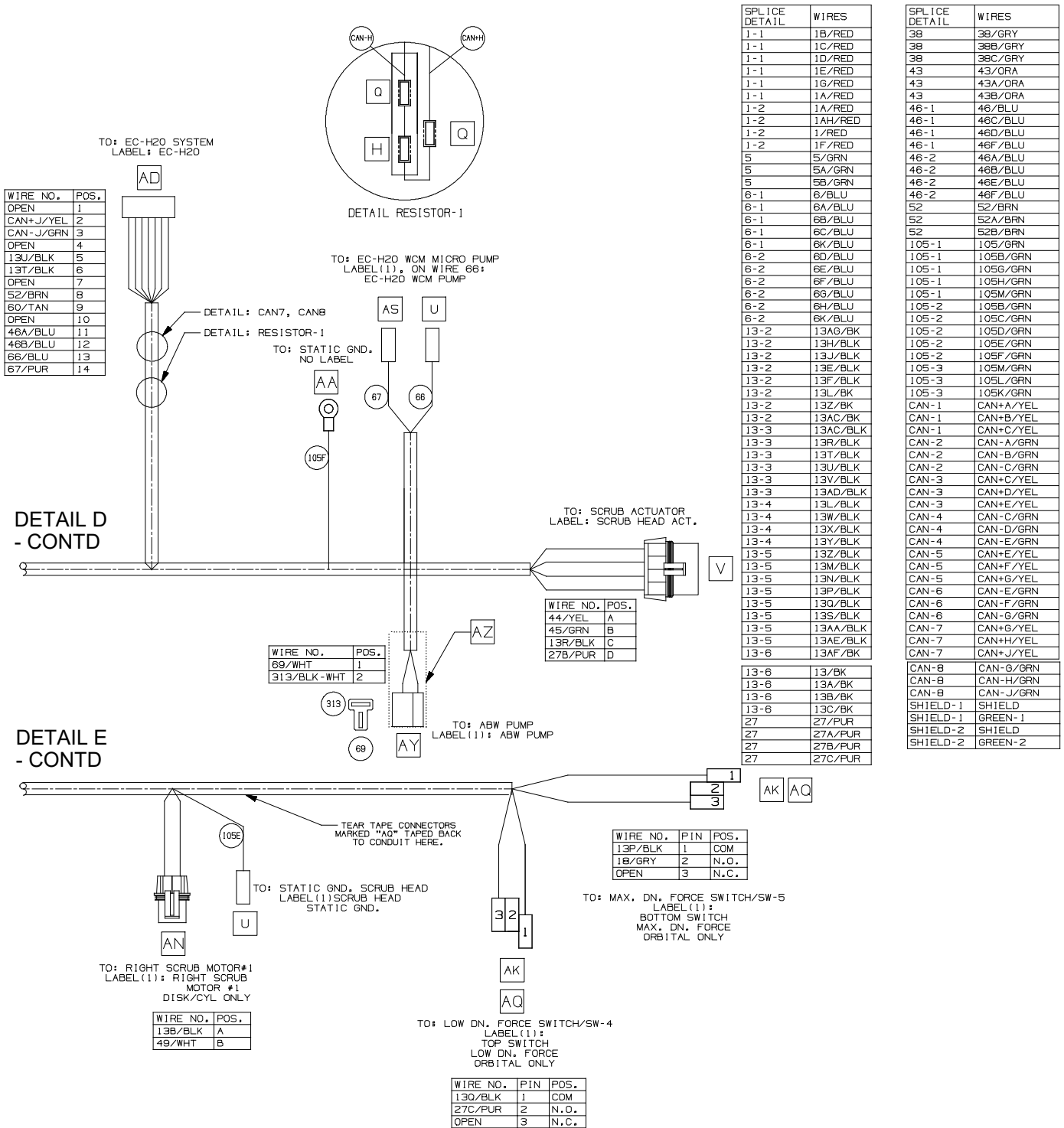
DETAIL CABLE SHIELD-1

- NOTE:
- REMOVE CABLE COVERING ABOVE THIS POINT.
 - SPLICE SHIELD TO THE SHIELD/GREEN WIRE.
 - ROUTE THE (14) WIRES UP TO THE SPECIFIED CONNECTORS.
 - COVER THE EXPOSED END OF THE CABLE COVER WITH DEFINED HEATSHRINK.



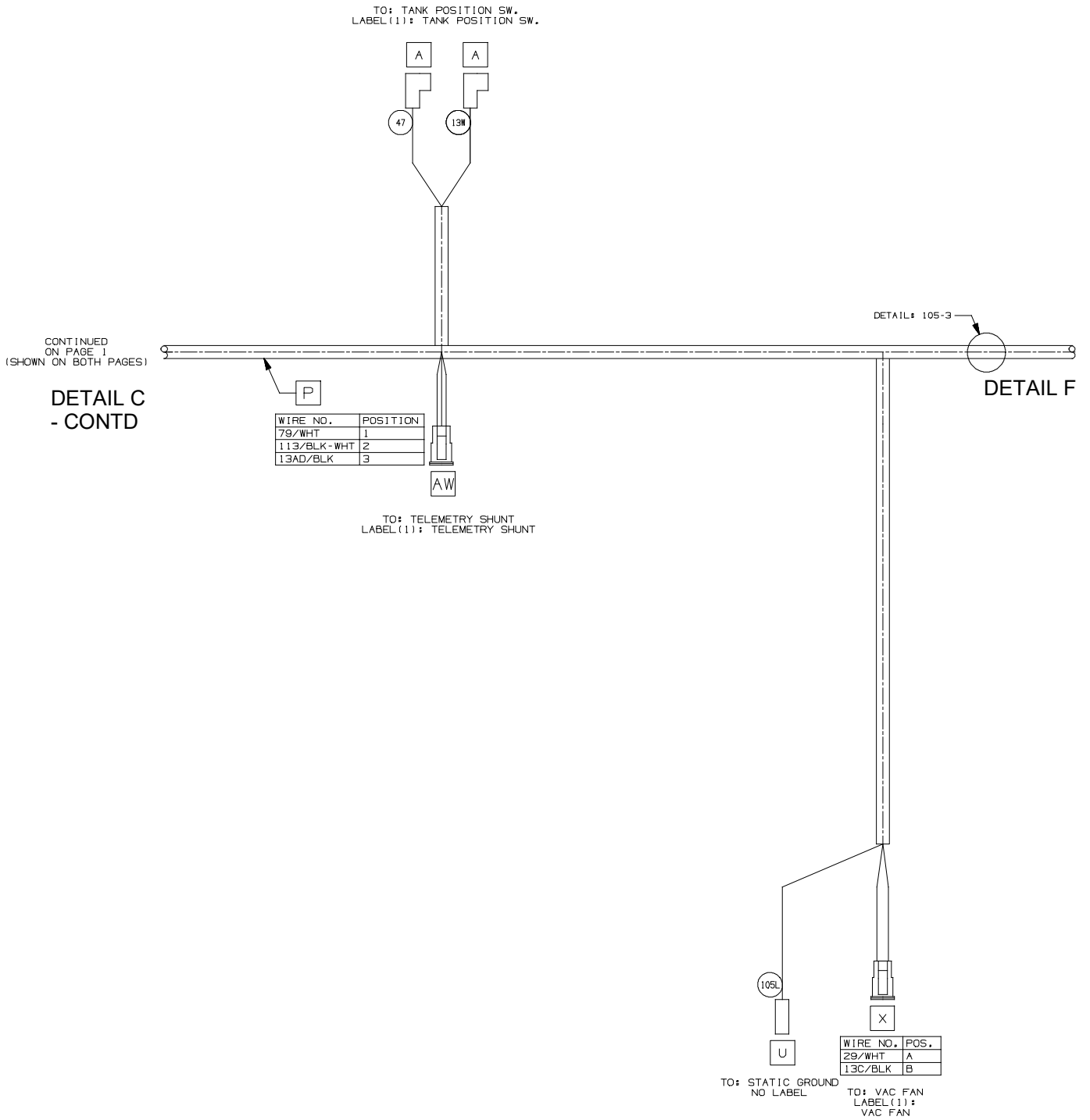
ELECTRICAL HARNESS, MAIN (PAGE 4 OF 6)
(S/N JUN2021 -)

1076839_00



ELECTRICAL HARNESS, MAIN (PAGE 5 OF 6)
(S/N JUN2021 -)

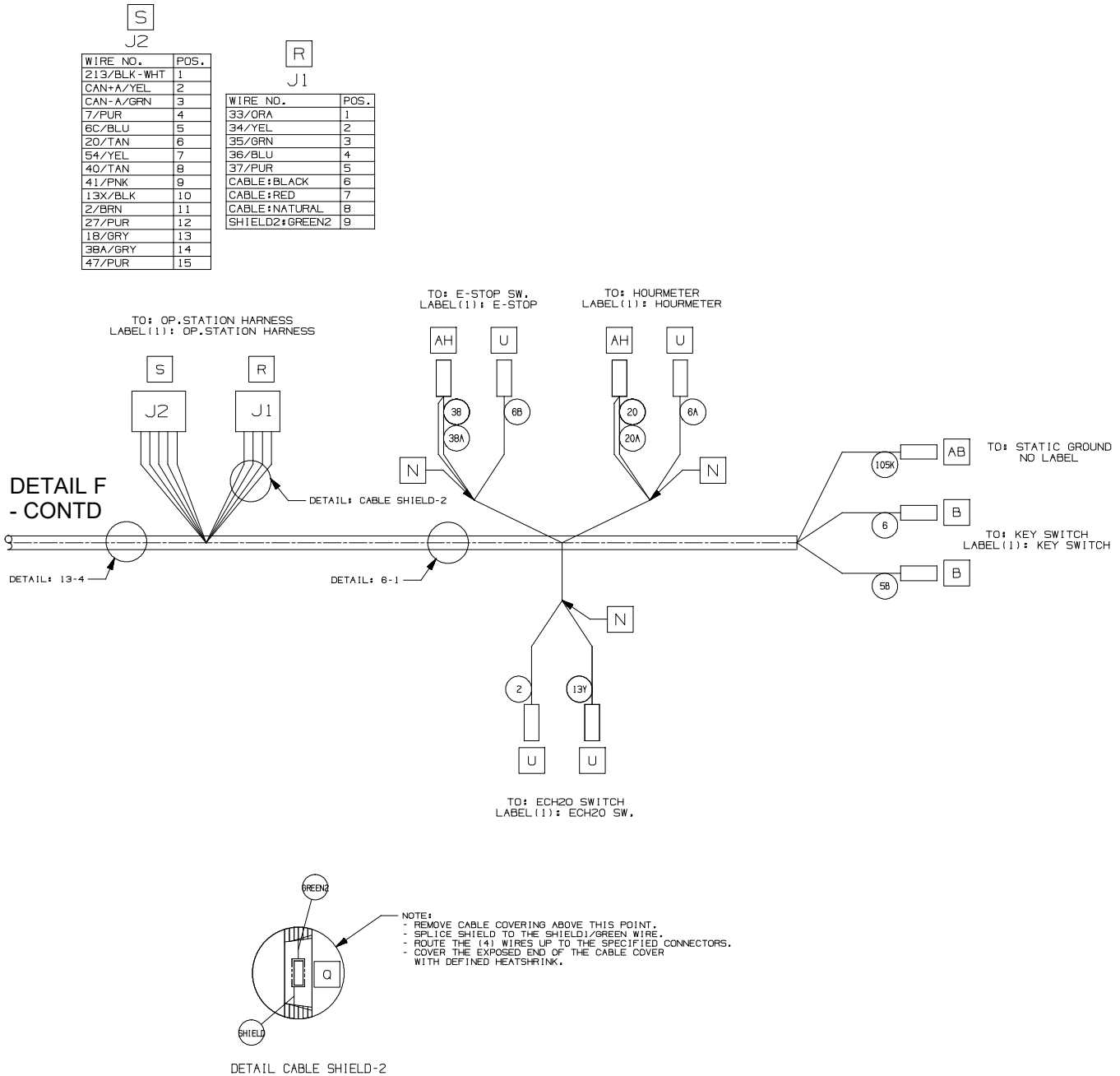
1076839_00



STANDARD PARTS

ELECTRICAL HARNESS, MAIN (PAGE 6 OF 6) (S/N JUN2021 -)

1076839_00



Part No.	Serial Number	Description	Qty.
1076839	(JUN2021- 40000000)	Harness, Main, Ele [T500e]	1
49309	(10000000- 40000000)	Relay, 24vdc, 015a, Spdt No	2

ELECTRICAL HARNESS, MAIN (PAGE 1 OF 6)
(S/N 3000000 - MAY2021)

1075312_00

TO: M2: MAIN RELAY



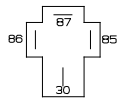
WIRE NO.	REF. RELAY
61/PNK	30
13H/BLK	85
46/BLU	87
6H/BLU	86

TO: M3: VAC FAN RELAY



WIRE NO.	REF. RELAY
29/WHT	30
13_/BLK	85
115/GRN	87
3/ORA	86

BACK VIEW OF "AP".
WHERE WIRES ENTER.

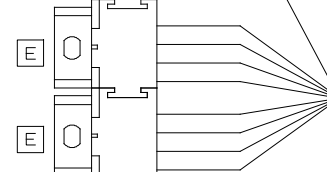


TO: STATIC GND.
NO LABEL



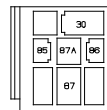
TO: M4: SCRUB HEAD ACT.
LABEL(1): M4: SCRUB HEAD ACT.

WIRE NO.	REF. RELAY
44/YEL	30
40/TAN	85
13E/BLK	87A
43A/ORA	87
6E/BLU	86

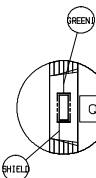


WIRE NO.	REF. RELAY
45/GRN	30
41/PNK	85
13F/BLK	87A
43B/ORA	87
6F/BLU	86

TO: M5: SCRUB HEAD ACT.
LABEL(1): M5: SCRUB HEAD ACT.

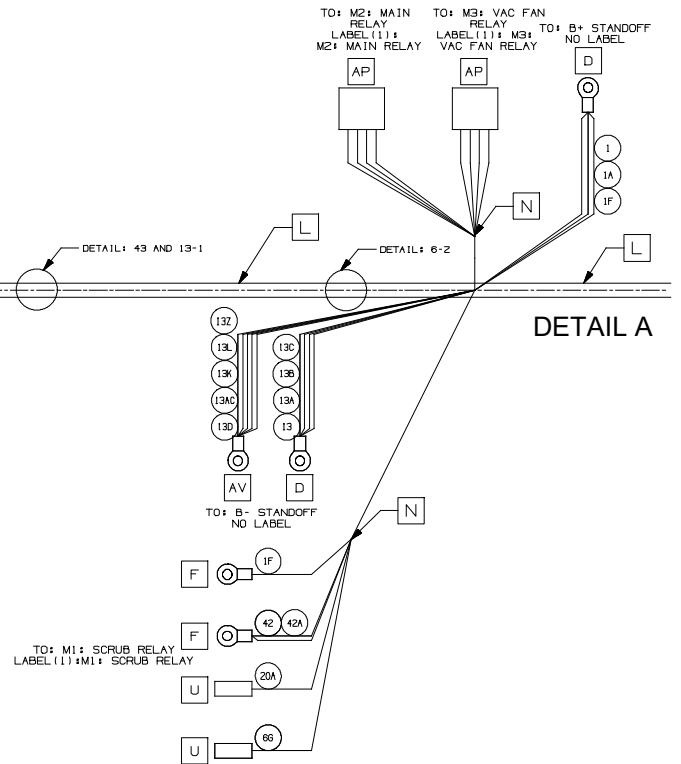


BACK VIEW OF "E".
WHERE WIRES ENTER.



DETAIL CABLE SHIELD-1

- NOTE:
- REMOVE CABLE COVERING ABOVE THIS POINT.
 - SPLICE SHIELD TO THE SHIELD1/GREEN WIRE.
 - ROUTE THE (4) WIRES UP TO THE SPECIFIED CONNECTORS.
 - COVER THE EXPOSED END OF THE CABLE COVER WITH DEFINED HEATSHRINK.



ELECTRICAL HARNESS, MAIN (PAGE 2 OF 6)
(S/N 3000000 - MAY2021)

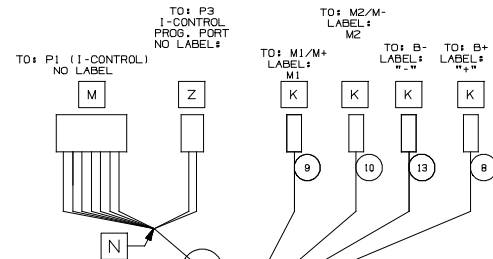
1075312_00

CONTINUED
ON PAGE 3
(SHOWN ON BOTH PAGES)

DETAIL C

M		Z	
WIRE NO.	POS.	WIRE NO.	POS.
CABLE: NATURAL	1	35/GRN	8
33/ORA	2	34/YEL	9
OPEN	3	OPEN	10
27A/PUR	4	OPEN	11
33C/GRY	5	36/BLU	12
OPEN	6	37/PUR	13
OPEN	7	OPEN	14

WIRE NO.	POS.
SHIELD1:GREEN1	1
OPEN	2
CABLE:RED	3
CABLE:BLACK	4



DETAIL: CABLE SHIELD-1

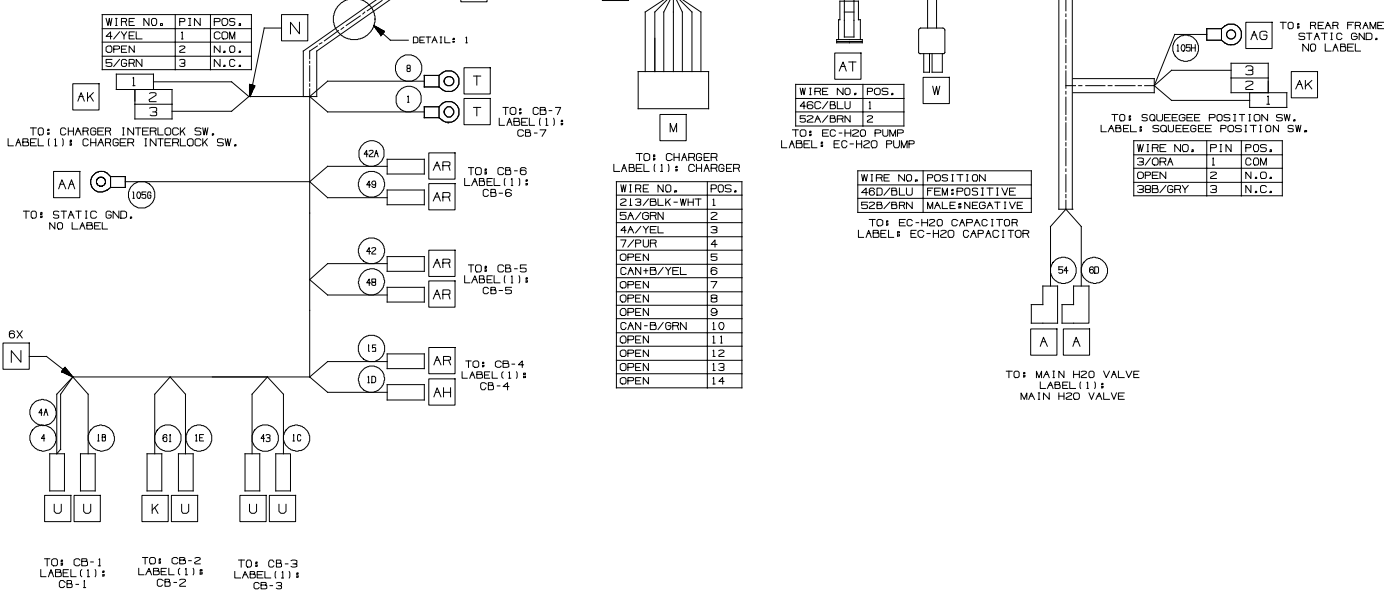
THIS SECTION EXTENDS
DOWNWARD IN THE -Z AXIS
DIRECTION. DETAIL B

DETAIL A
- CONTD

DETAIL B

CONTINUED
ON PAGE 2
(SHOWN ON
BOTH PAGES)

THIS SECTION EXTENDS
UPWARD IN THE +Z AXIS
DIRECTION.



WIRE NO.	PIN	POS.
4/YEL	1	COM
OPEN	2	N.O.
5/GRN	3	N.C.

TO: CHARGER INTERLOCK SW. LABEL(1): CHARGER INTERLOCK SW.

TO: STATIC GND. NO LABEL

TO: CB-7 LABEL(1): CB-7

TO: CB-6 LABEL(1): CB-6

TO: CB-5 LABEL(1): CB-5

TO: CB-4 LABEL(1): CB-4

TO: CHARGER LABEL(1): CHARGER

WIRE NO.	POS.
219/BLK-WHT	1
5A/GRN	2
4A/YEL	3
7/PUR	4
OPEN	5
CAN+B/YEL	6
OPEN	7
OPEN	8
OPEN	9
CAN-B/GRN	10
OPEN	11
OPEN	12
OPEN	13
OPEN	14

TO: EC-H2O PUMP LABEL: EC-H2O PUMP

WIRE NO.	POSITION
48D/BLU	FEM+POSITIVE
52A/BRN	MALE+NEGATIVE

TO: EC-H2O CAPACITOR LABEL: EC-H2O CAPACITOR

TO: REAR FRAME STATIC GND. NO LABEL

TO: SQUEEGEE POSITION SW. LABEL: SQUEEGEE POSITION SW.

WIRE NO.	PIN	POS.
3/ORA	1	COM
OPEN	2	N.O.
3BB/GRY	3	N.C.

TO: MAIN H2O VALVE LABEL(1): MAIN H2O VALVE

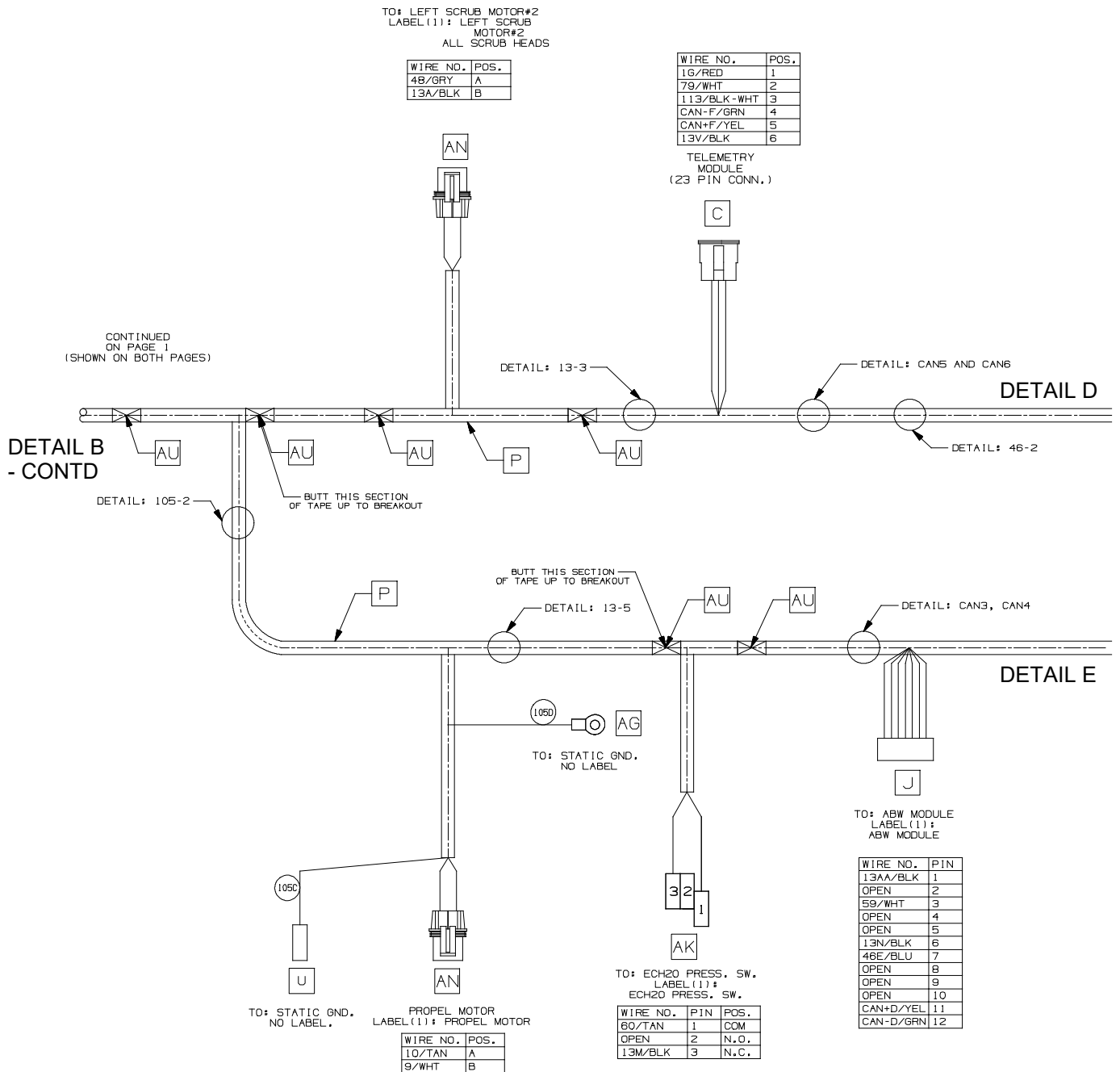
TO: CB-1 LABEL(1): CB-1

TO: CB-2 LABEL(1): CB-2

TO: CB-3 LABEL(1): CB-3

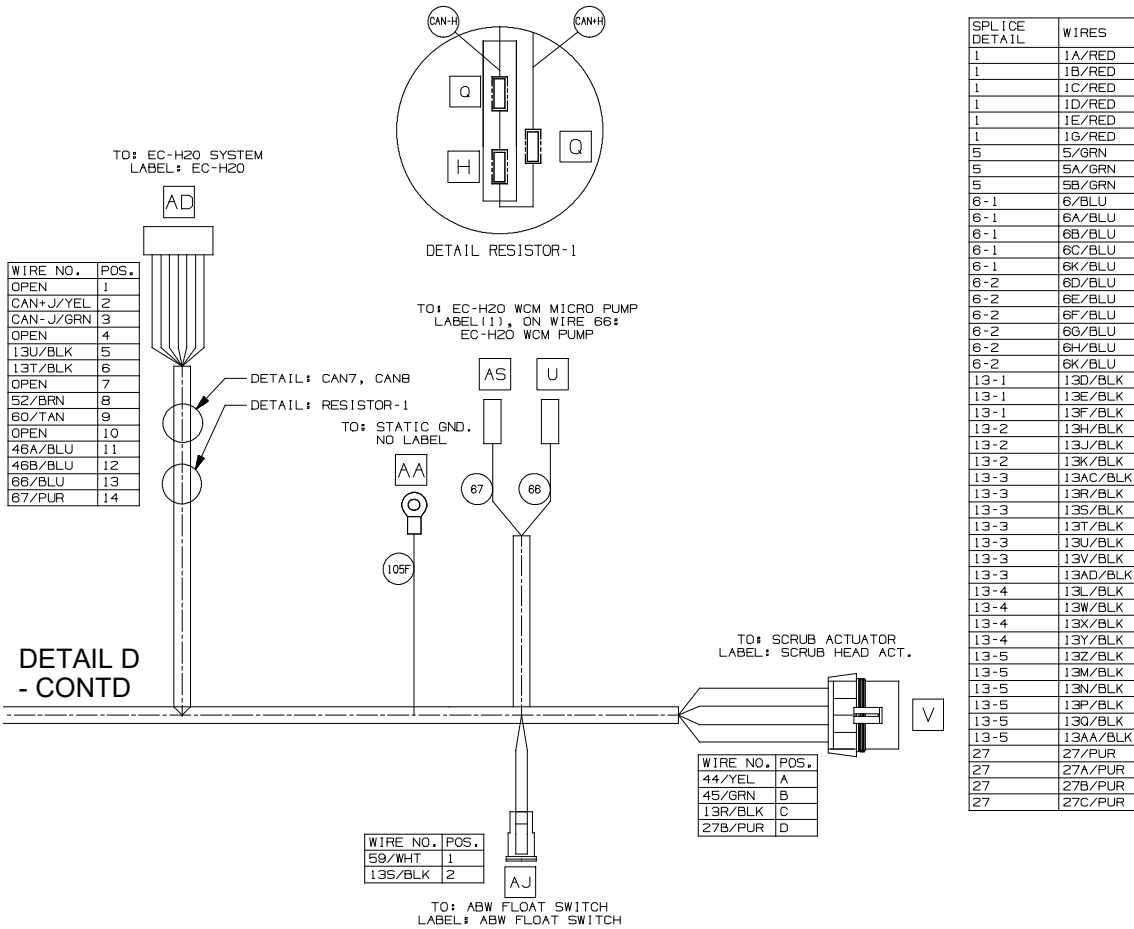
ELECTRICAL HARNESS, MAIN (PAGE 3 OF 6)
(S/N 3000000 - MAY2021)

10745312_00



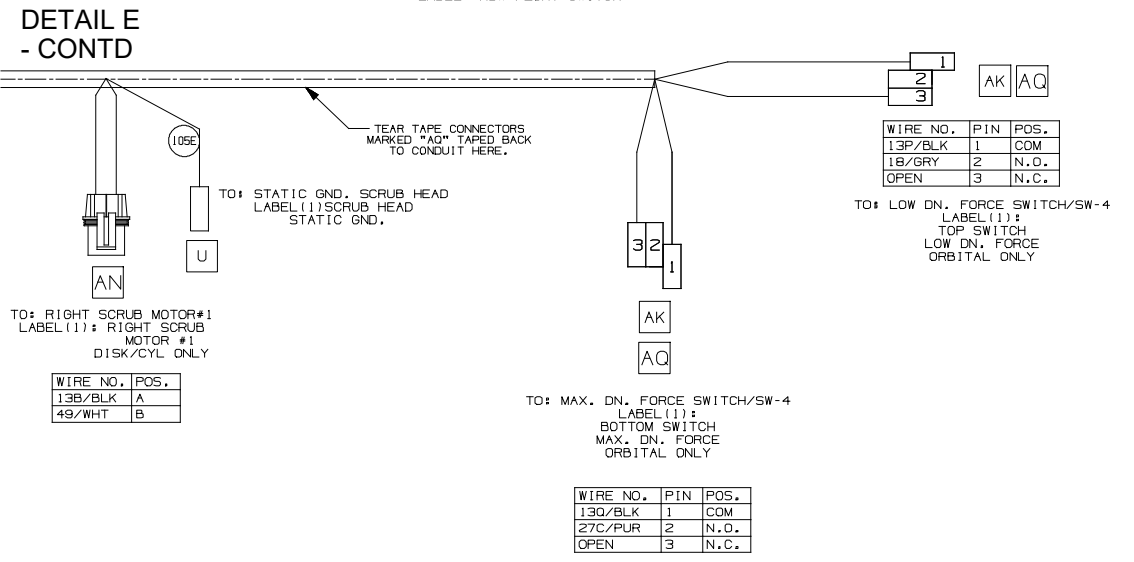
ELECTRICAL HARNESS, MAIN (PAGE 4 OF 6)
(S/N 3000000 - MAY2021)

1075312_00



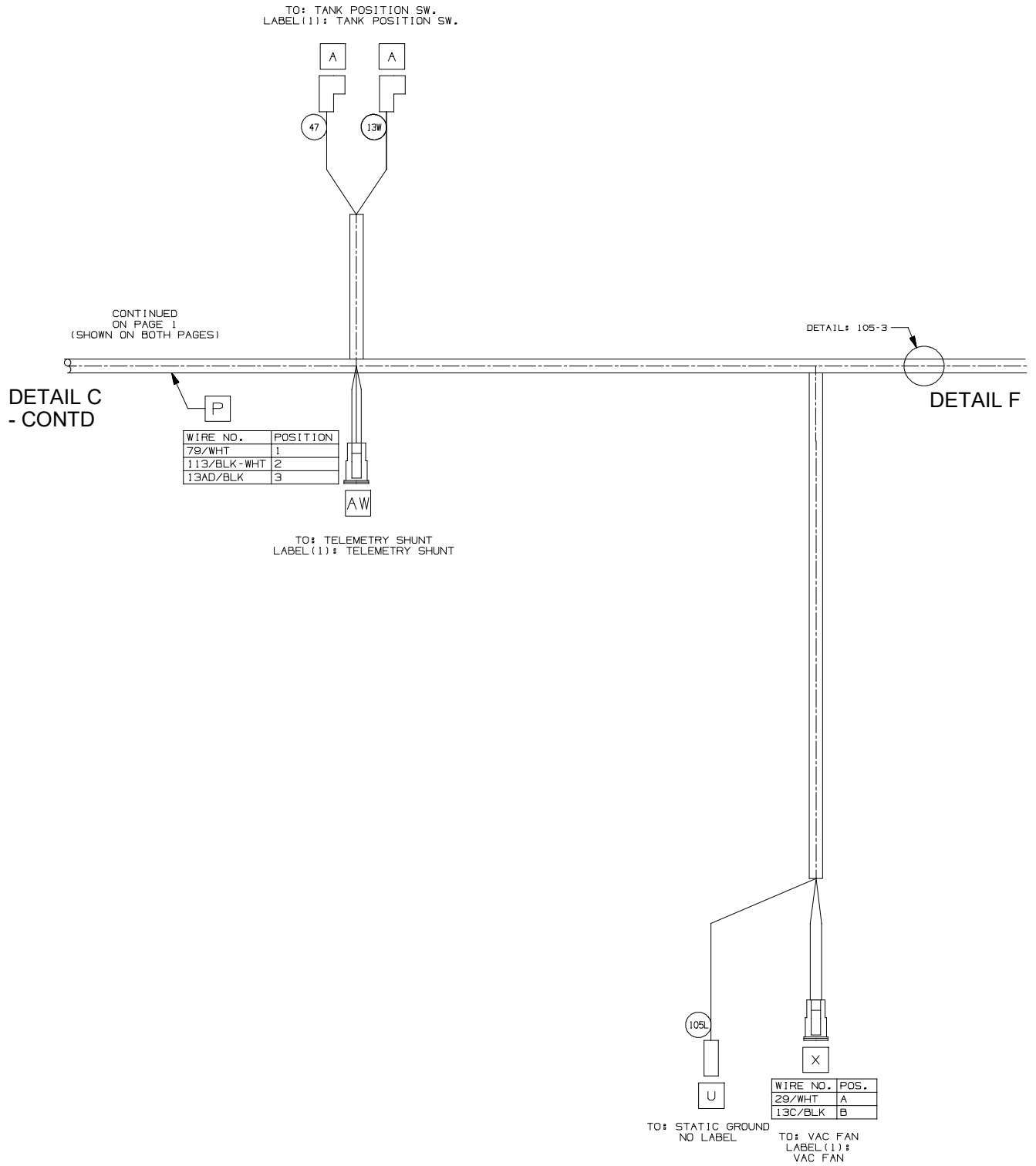
SPLICE DETAIL	WIRES
1	1A/RED
1	1B/RED
1	1C/RED
1	1D/RED
1	1E/RED
1	1G/RED
5	5/GRN
5	5A/GRN
5	5B/GRN
6-1	6/BLU
6-1	6A/BLU
6-1	6B/BLU
6-1	6C/BLU
6-1	6K/BLU
6-2	6D/BLU
6-2	6E/BLU
6-2	6F/BLU
6-2	6G/BLU
6-2	6H/BLU
6-2	6K/BLU
13-1	13D/BLK
13-1	13E/BLK
13-1	13F/BLK
13-2	13H/BLK
13-2	13J/BLK
13-2	13K/BLK
13-3	13AC/BLK
13-3	13R/BLK
13-3	13S/BLK
13-3	13T/BLK
13-3	13U/BLK
13-3	13V/BLK
13-3	13AD/BLK
13-4	13L/BLK
13-4	13W/BLK
13-4	13X/BLK
13-4	13Y/BLK
13-5	13Z/BLK
13-5	13M/BLK
13-5	13N/BLK
13-5	13P/BLK
13-5	13Q/BLK
13-5	13AA/BLK
27	27/PUR
27	27A/PUR
27	27B/PUR
27	27C/PUR

SPLICE DETAIL	WIRES
38	38/GRY
38	38B/GRY
38	38C/GRY
43	43/DRA
43	43A/DRA
43	43B/DRA
46-1	46/BLU
46-1	46C/BLU
46-1	46D/BLU
46-1	46F/BLU
46-2	46A/BLU
46-2	46B/BLU
46-2	46E/BLU
46-2	46F/BLU
52	52/BRN
52	52A/BRN
52	52B/BRN
105-1	105/GRN
105-1	105B/GRN
105-1	105G/GRN
105-1	105H/GRN
105-1	105M/GRN
105-2	105B/GRN
105-2	105C/GRN
105-2	105D/GRN
105-2	105E/GRN
105-2	105F/GRN
105-3	105M/GRN
105-3	105L/GRN
105-3	105K/GRN
CAN-1	CAN+A/YEL
CAN-1	CAN+B/YEL
CAN-1	CAN+C/YEL
CAN-2	CAN-A/GRN
CAN-2	CAN-B/GRN
CAN-2	CAN-C/GRN
CAN-3	CAN-C/YEL
CAN-3	CAN+D/YEL
CAN-3	CAN+E/YEL
CAN-4	CAN-C/GRN
CAN-4	CAN-D/GRN
CAN-4	CAN-E/GRN
CAN-5	CAN+E/YEL
CAN-5	CAN+F/YEL
CAN-5	CAN+G/YEL
CAN-6	CAN-E/GRN
CAN-6	CAN-F/GRN
CAN-6	CAN-G/GRN
CAN-7	CAN+G/YEL
CAN-7	CAN+H/YEL
CAN-7	CAN+J/YEL
CAN-8	CAN-G/GRN
CAN-8	CAN-H/GRN
CAN-8	CAN-J/GRN
SHIELD-1	SHIELD
SHIELD-1	GREEN-1
SHIELD-2	SHIELD
SHIELD-2	GREEN-2



ELECTRICAL HARNESS, MAIN (PAGE 5 OF 6)
(S/N 30000000 - MAY2021)

1075312_00



ELECTRICAL HARNESS, MAIN (PAGE 6 OF 6)
(S/N 30000000 - MAY2021)

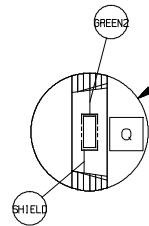
1075312_00

WIRE NO.	POS.
213/BLK-WHT	1
CAN+A/YEL	2
CAN-A/GRN	3
7/PUR	4
6C/BLU	5
20/TAN	6
54/YEL	7
40/TAN	8
41/PNK	9
13X/BLK	10
2/BRN	11
27/PUR	12
18/GRY	13
38A/GRY	14
47/PUR	15

S
J2

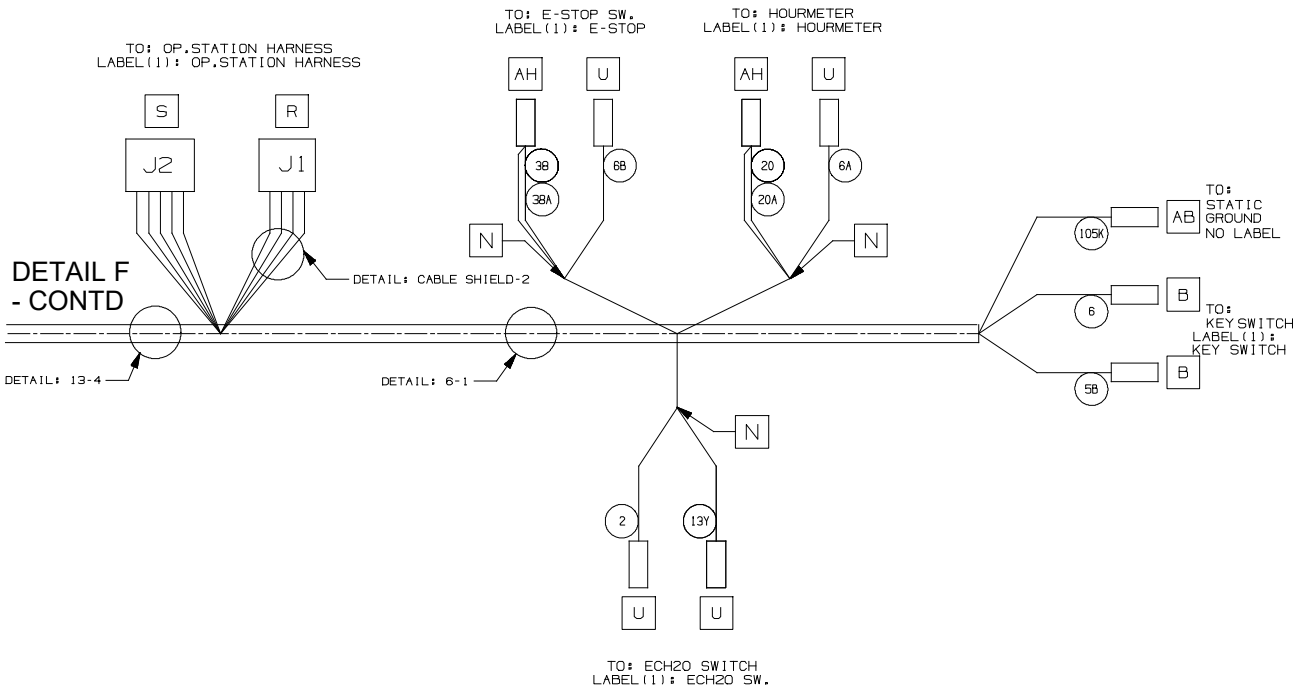
WIRE NO.	POS.
33/ORA	1
34/YEL	2
35/GRN	3
36/BLU	4
37/PUR	5
CABLE:BLACK	6
CABLE:RED	7
CABLE:NATURAL	8
SHIELD2:GREEN2	9

R
J1



DETAIL CABLE SHIELD-2

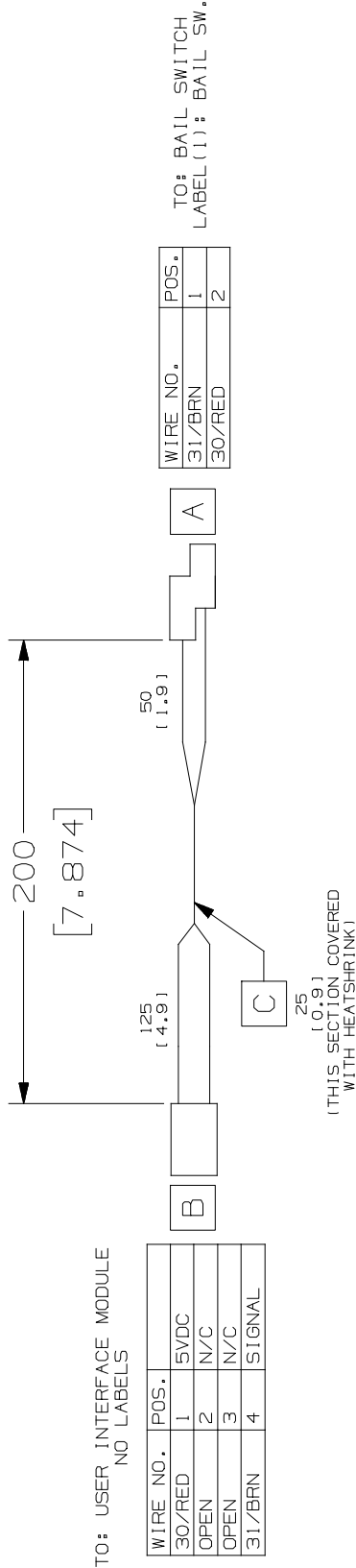
- NOTE:
- REMOVE CABLE COVERING ABOVE THIS POINT.
 - SPLICE SHIELD TO THE SHIELD1/GREEN WIRE.
 - ROUTE THE 14) WIRES UP TO THE SPECIFIED CONNECTORS.
 - COVER THE EXPOSED END OF THE CABLE COVER WITH DEFINED HEATSHRINK.



Part No.	Serial Number	Description	Qty.
1075312	(30000000- MAY2021)	Harness, Main, Ele [T500e]	1
49309	(30000000- 40000000)	Relay, 24vdc, 015a, Spdt No	2

ELECTRICAL HARNESS, BAIL SWITCH

1072524_00



Part No.	Serial Number	Description	Qty.
1072524	(30000000- 40000000)	Harness, Ele [Bail Switch]	1

ELECTRICAL HARNESS, OPERATOR STATION

1075313_00

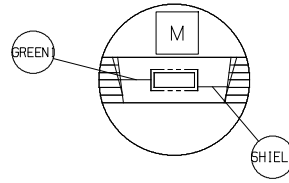
TO: REVERSE SWITCH
 LABEL: REV. SW.

WIRE NO.	POS.
36/BLU	1
37/PUR	2



TO: SPEED POTENTIOMETER
 LABEL: SPEED POT.

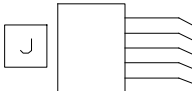
WIRE NO.	POS.
33/ORA	1
34/YEL	2
35/GRN	3



DETAIL CABLE SHIELD-1

TO: USER INTERFACE MODULE
 NO LABELS

WIRE NO.	POS.
38/GRY	1
OPEN	2
2/BRN	3
47/PUR	4
40/TAN	5
41/PNK	6
20/TAN	7
13/BLK	8
7/PUR	9
6/BLU	10



CONN. J7

CONN. J5

WIRE NO.	POS.
SHIELD1/ GREEN	1
CABLE: NATURAL	2
CABLE: RED	3
CABLE: BLACK	4



DETAIL: SHIELD-1
 (LOCATED WITHIN 75MM OF CONNECTOR "D".)

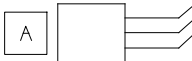
CONN. J3

WIRE NO.	POS.
CAN+/YEL	1
CAN-/GRN	2
113/BLK-WHT	3
OPEN	4



CONN. J10

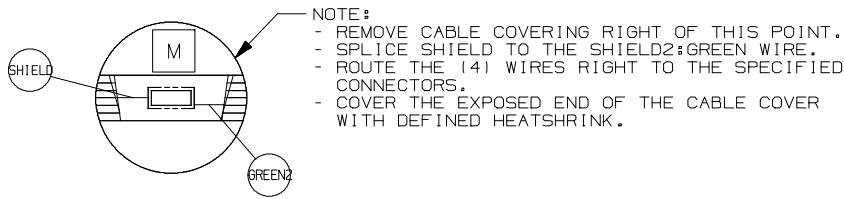
WIRE NO.	POS.
18/GRY	1
OPEN	2
27/PUR	3
OPEN	4
OPEN	5
54/YEL	6
OPEN	7
OPEN	8



DETAIL A

ELECTRICAL HARNESS, OPERATOR STATION

1075313_00

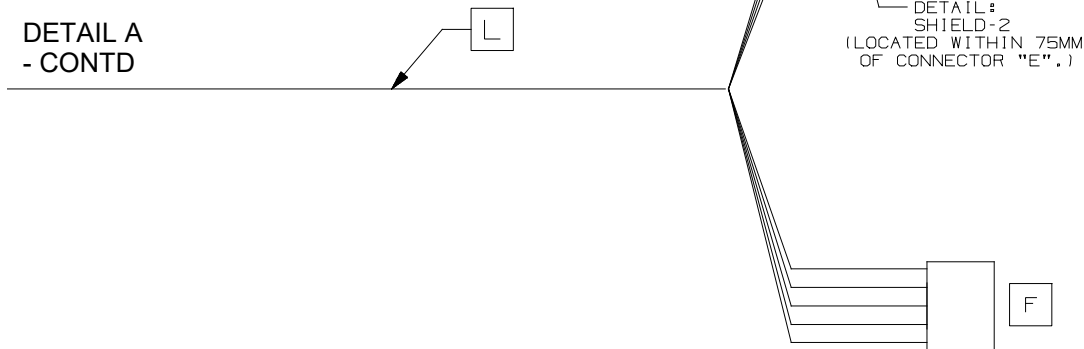


DETAIL CABLE SHIELD-2

TO: MAIN HARNESS
NO LABEL

WIRE NO.	POS.
33/ORA	1
34/YEL	2
35/GRN	3
36/BLU	4
37/PUR	5
CABLE:BLK	6
CABLE:RED	7
CABLE:NATURAL	8
SHIELD2:GREEN	9

DETAIL A
- CONTD



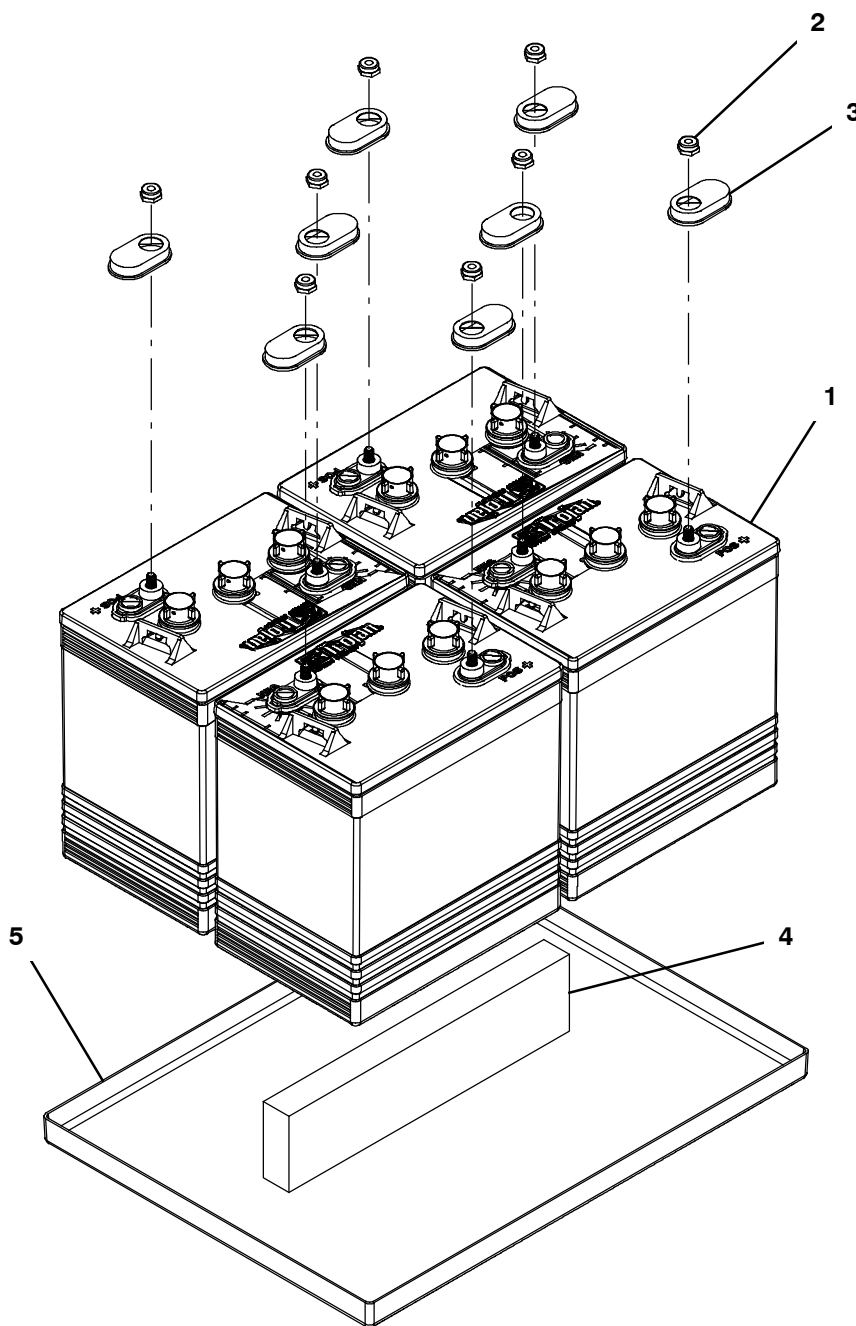
TO: MAIN HARNESS.
NO LABEL

WIRE NO.	POS.
113/BLK-WHT	1
CAN+/YEL	2
CAN-/GRN	3
7/PUR	4
6/BLU	5
20/TAN	6
54/YEL	7
40/TAN	8
41/PNK	9
13/BLK	10
2/BRN	11
27/PUR	12
18/GRY	13
38/GRY	14
47/PUR	15

Part No.	Serial Number	Description	Qty.
1075313	(30000000- 40000000)	Harness, Ele [Op. Station, T500e]	1

BATTERY GROUP, WET 240AH

355448



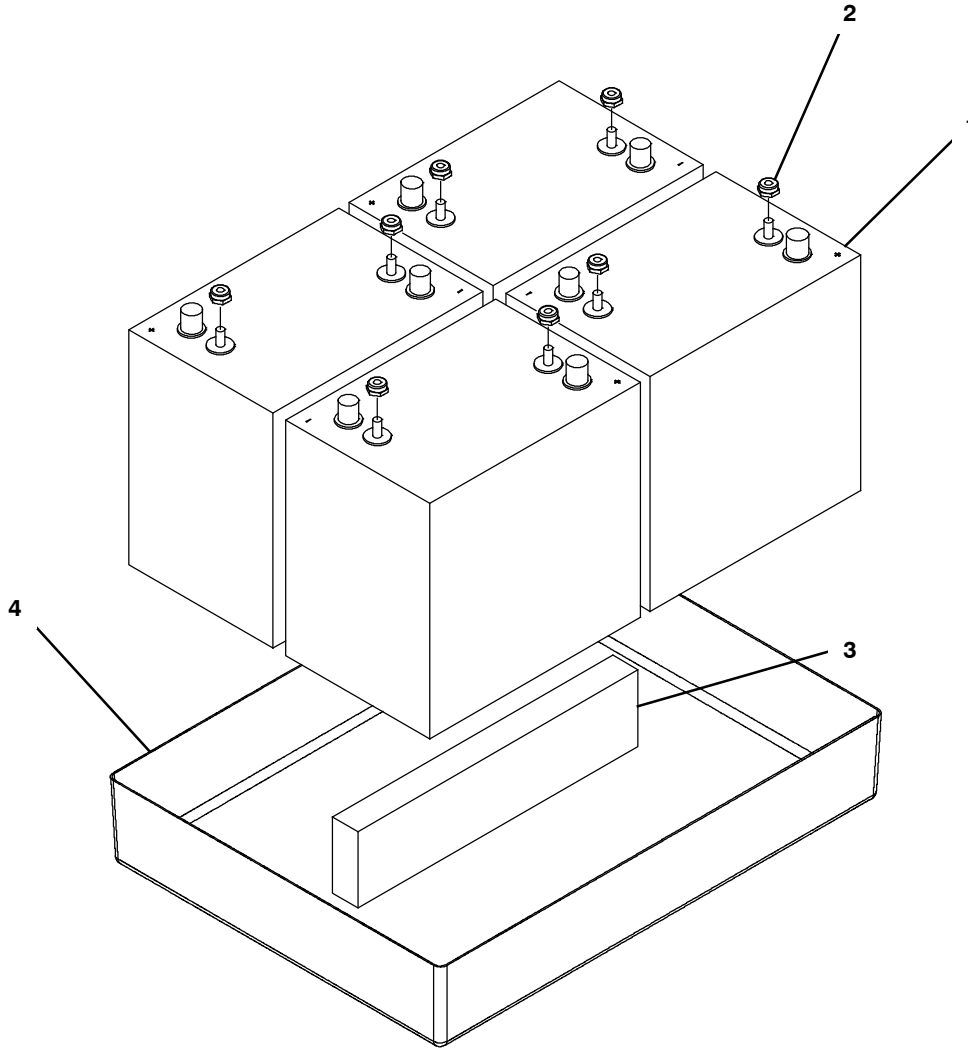
Ref.	Part No.	Serial Number	Description	Qty.
▽	1	222280	(30000000- 40000000) Battery, Wet, 06vdc 0240ah	4
▲	2	87435	(30000000- 40000000) Nut, Hex, Flexlock, .31- 18	2
▲	3	1041030	(30000000- 40000000) Cap, Battery, Black [For 155ah]	2
	4	630375	(30000000- 40000000) Spacer, Battery, Foam, 1.25 X 3.3 X 13.7	1
	5	1222318	(30000000- 40000000) Tray, Battery, Trimmed [T500, Thick]	1

▽ ASSEMBLY

▲ INCLUDED IN ASSEMBLY

BATTERY GROUP, AGM 220AH

355450



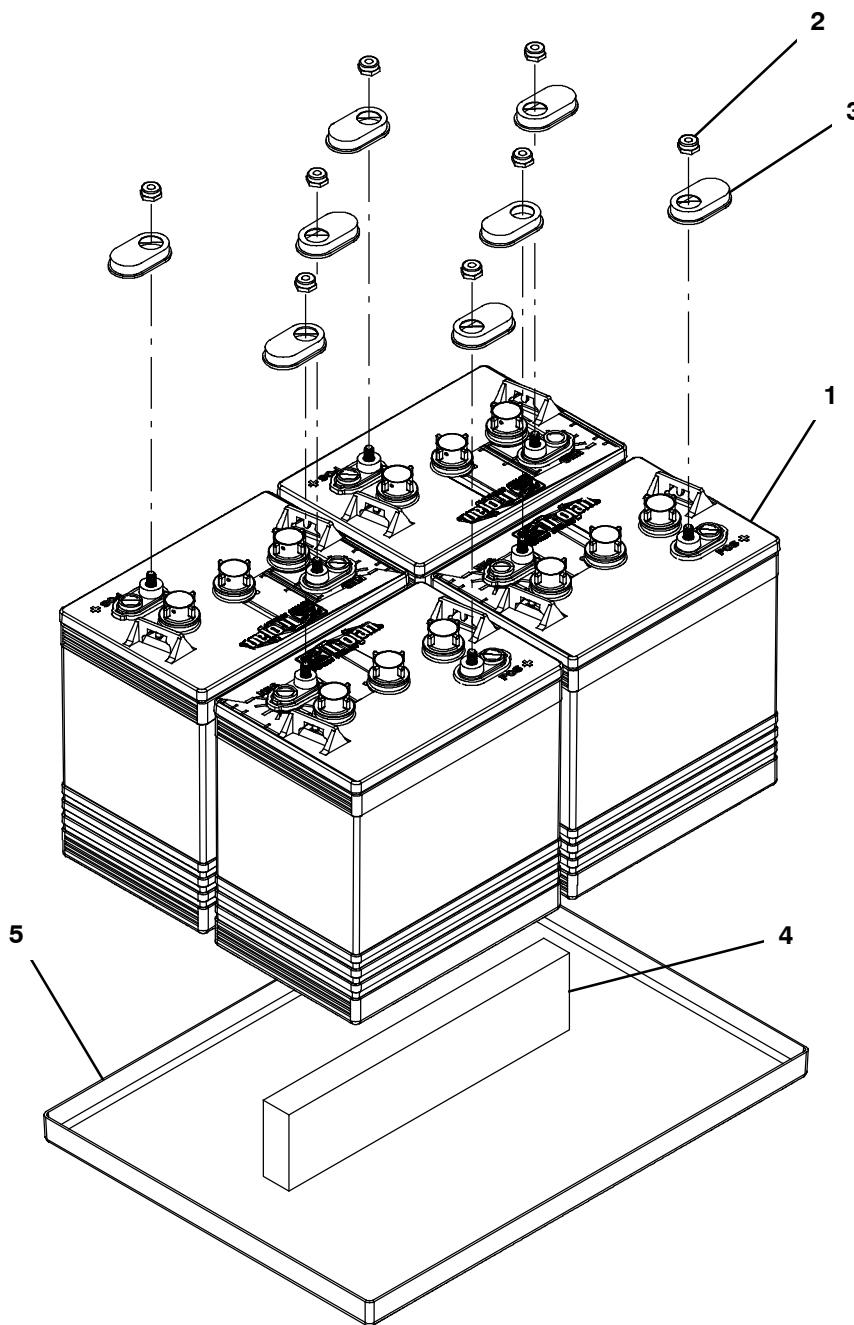
	Ref.	Part No.	Serial Number	Description	Qty.
▽	1	1074042	(30000000- 40000000)	Battery, Agm, 06vdc, 220ah (Discover)	4
▲	2	87435	(30000000- 40000000)	Nut, Hex, Flexlock, .31- 18	2
	3	630375	(30000000- 40000000)	Spacer, Battery, Foam, 1.25 X 3.3 X 13.7	1
	4	1222318	(30000000- 40000000)	Tray, Battery, Trimmed [T500, Thick]	1

▽ ASSEMBLY

▲ INCLUDED IN ASSEMBLY

BATTERY GROUP, WET 260AH

355448



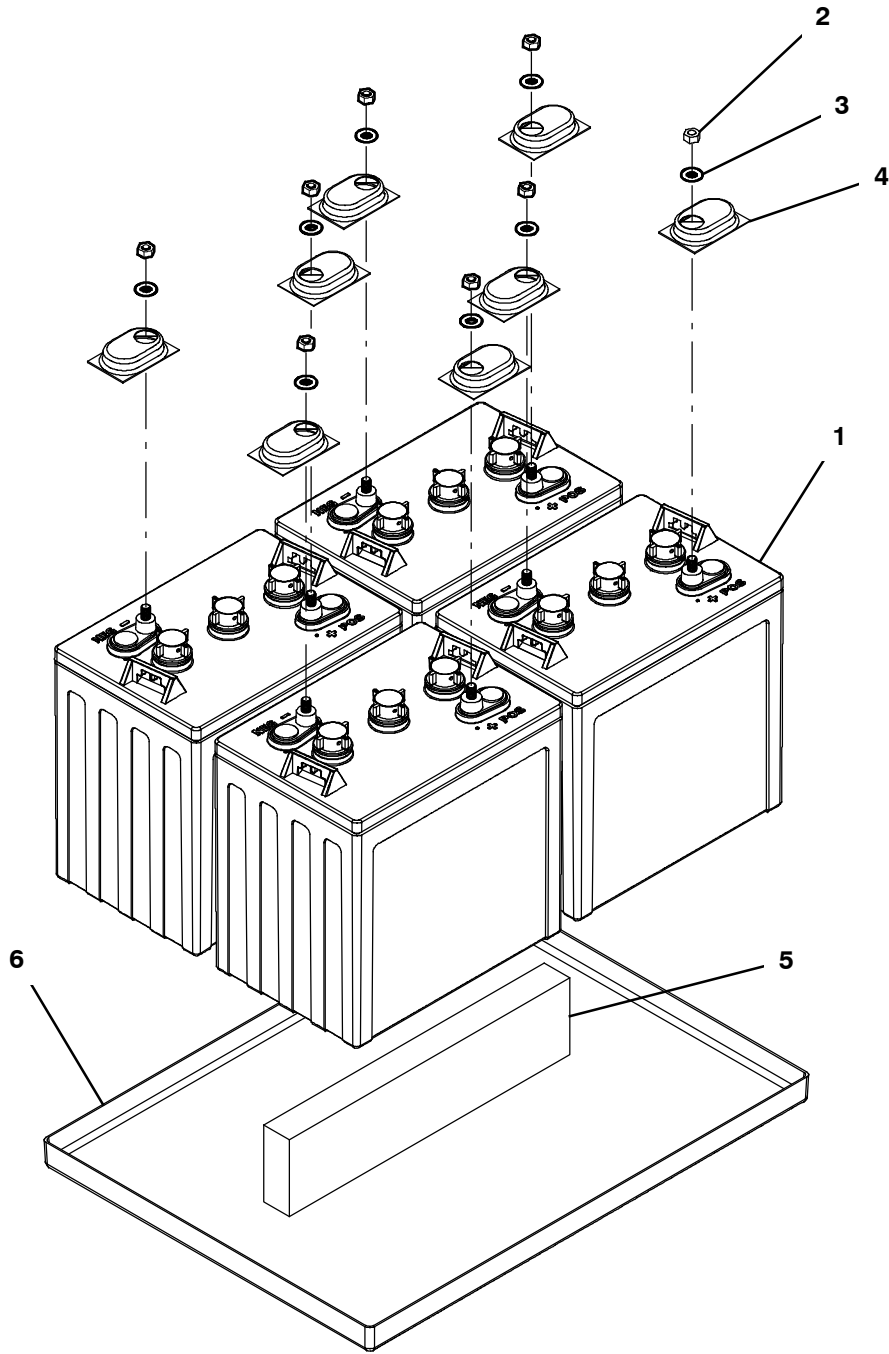
Ref.	Part No.	Serial Number	Description	Qty.
▽	1	390825	(30000000- 40000000) Battery, Wet, 06vdc 0244ah	4
▲	2	87435	(30000000- 40000000) Nut, Hex, Flexlock, .31- 18	2
▲	3	1041030	(30000000- 40000000) Cap, Battery, Black [For 155ah]	2
	4	630375	(30000000- 40000000) Spacer, Battery, Foam, 1.25 X 3.3 X 13.7	1
	5	1222318	(30000000- 40000000) Tray, Battery, Trimmed [T500, Thick]	1

▽ ASSEMBLY

▲ INCLUDED IN ASSEMBLY

BATTERY GROUP, WET 260AH (CHINA)

355734



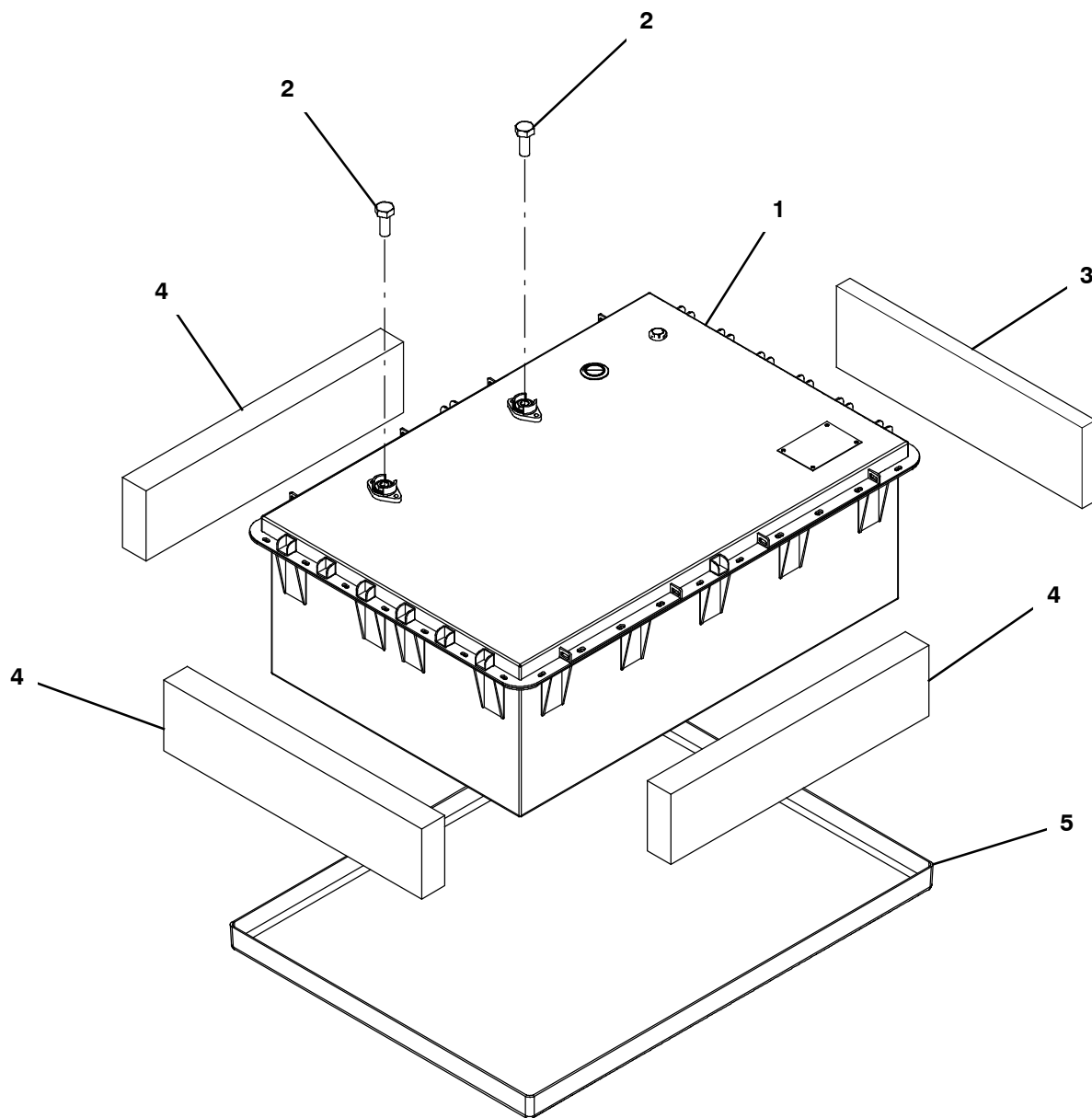
Ref.	Part No.	Serial Number	Description	Qty.
▽	1	1248613	(30000000- 40000000) Battery, Wet, 06vdc 0260ah, Cn	4
▲	2	07786	(30000000- 40000000) Nut, Hex, Std, M8 X 1.25, Ss	2
▲	3	140027	(30000000- 40000000) Washer, Flat, 0.35b 0.75d .04, Ss	2
	4	45962	(30000000- 40000000) Cap, Battery, White [For 105ah & 130ah]	2
	5	630375	(30000000- 40000000) Spacer, Battery, Foam, 1.25 X 3.3 X 13.7	1
	6	1222318	(30000000- 40000000) Tray, Battery, Trimmed [T500, Thick]	1

▽ ASSEMBLY

▲ INCLUDED IN ASSEMBLY

BATTERY GROUP, LITHIUM-ION (CHINA)

355736



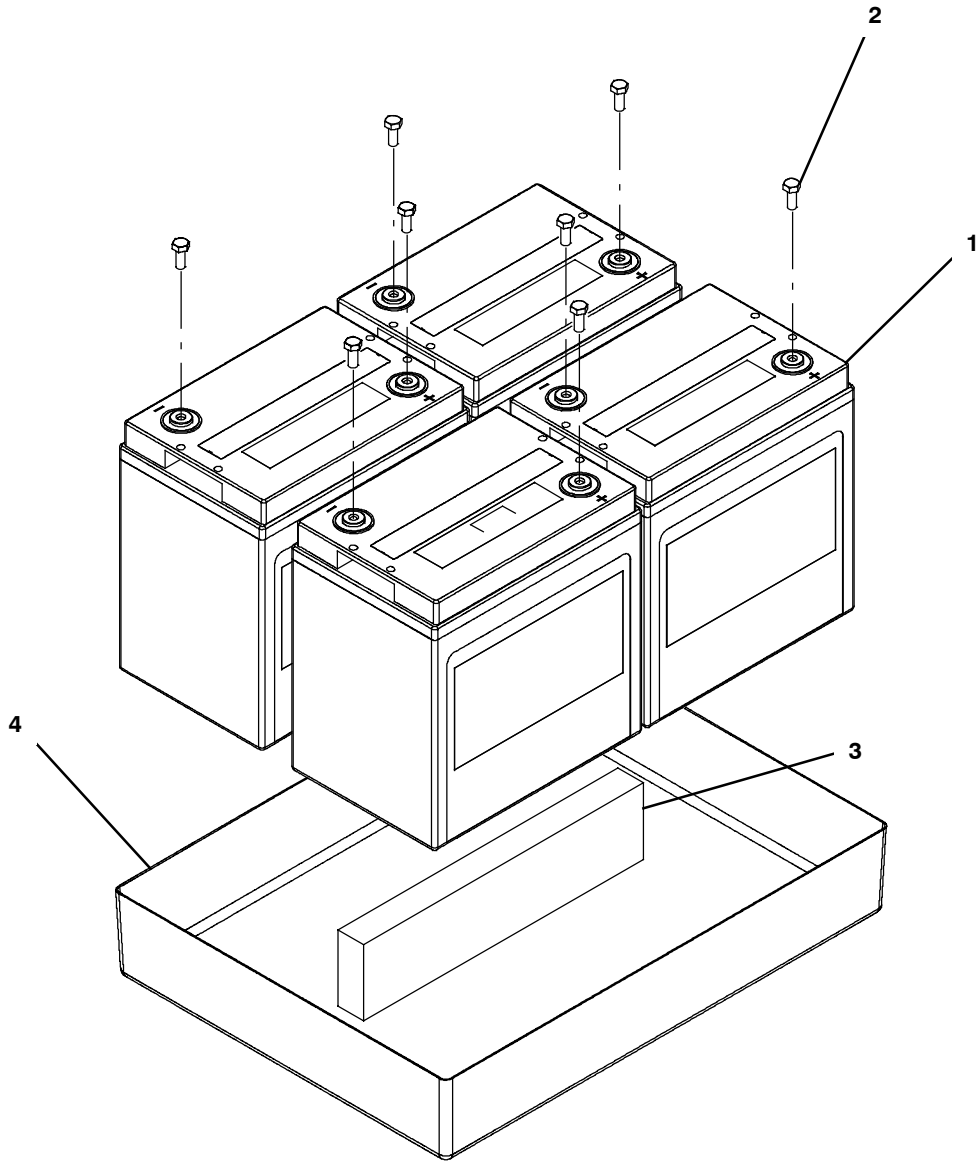
Ref.	Part No.	Serial Number	Description	Qty.
▽	1	1248832	(30000000- 40000000) Battery, Lithium Ion, 24vdc 0160ah	1
▲	2	9020683	(30000000- 40000000) Screw, Hex, M8 X 1.25 X 16	2
	3	1248842	(30000000- 40000000) Spacer, Battery[Cn]	1
	4	630375	(30000000- 40000000) Spacer, Battery, Foam, 1.25 X 3.3 X 13.7	3
	5	1222318	(30000000- 40000000) Tray, Battery, Trimmed [T500, Thick]	1

▽ ASSEMBLY

▲ INCLUDED IN ASSEMBLY

BATTERY GROUP, AGM 220AH (CHINA)

355844



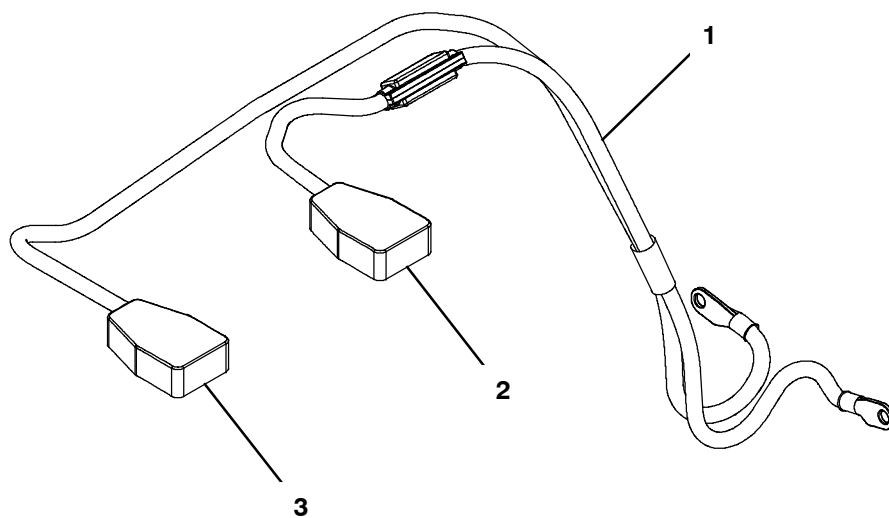
	Ref.	Part No.	Serial Number	Description	Qty.
▽	1	1251239	(30000000- 40000000)	Battery, Agm, 06vdc 0260ah, Cn (Includes Qty 2 Screws)	4
▲	2	N/A	(30000000- 40000000)	Screw, M8 X 18, Ss, 8.8 (Not Available Separately)	2
	3	630375	(30000000- 40000000)	Spacer, Battery, Foam, 1.25 X 3.3 X 13.7	1
	4	1222318	(30000000- 40000000)	Tray, Battery, Trimmed [T500, Thick]	1

▽ ASSEMBLY

▲ INCLUDED IN ASSEMBLY

LITHIUM-ION BATTERY CABLES GROUP (CHINA)

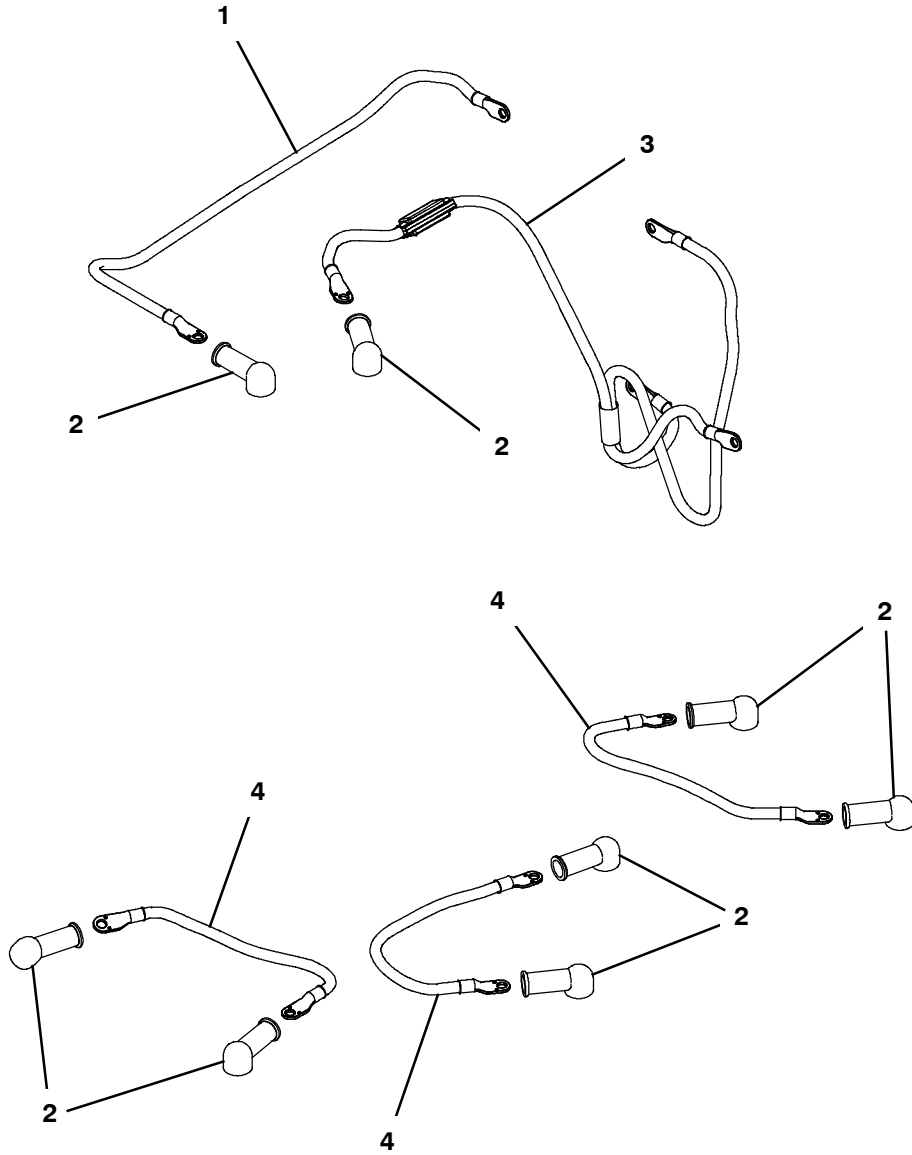
355737



Ref.	Part No.	Serial Number	Description	Qty.
1	1074942	(30000000- 40000000)	Cable, Assy [T500,T500e]	1
2	68872	(30000000- 40000000)	Boot, Terminal, Battery, 02- 01ga, Blk	1
3	68873	(30000000- 40000000)	Boot, Terminal, Battery, 02- 01ga, Red	1

TELEMETRY BATTERY CABLES GROUP

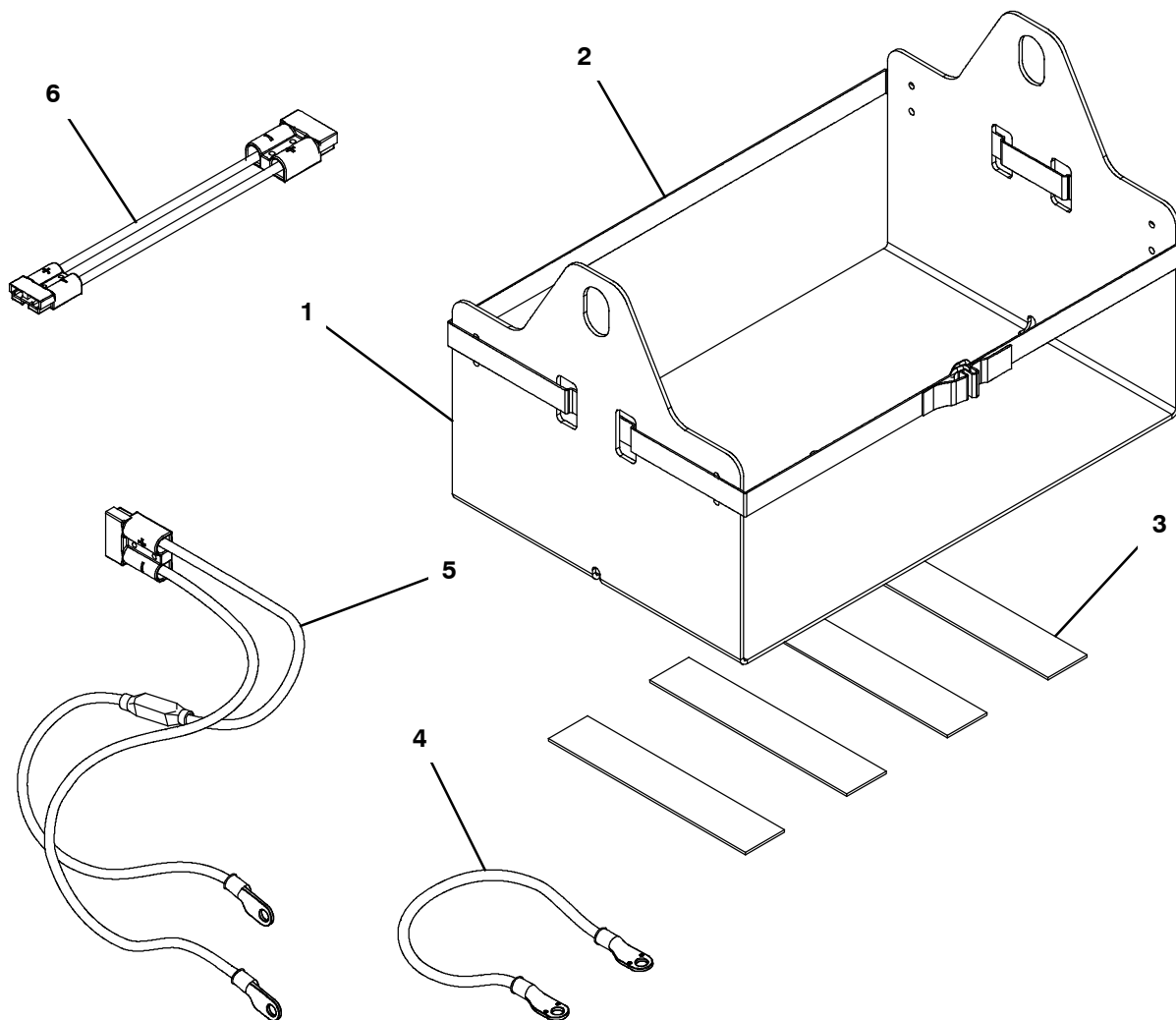
355464



Ref.	Part No.	Serial Number	Description	Qty.
1	1070498	(30000000- 40000000)	Cable, 4ga, Blk [6200e, Telemetry]	1
2	611221	(30000000- 40000000)	Boot, Terminal, Battery, 25.4mm, Blk	8
3	1074942	(30000000- 40000000)	Cable, Assy [T500,T500e]	1
4	1073680	(30000000- 40000000)	Cable, 04ga 15.0l Blk [M8 Ring/M8 Ring]	3

EXTRA BATTERY BOX LIFT OUT KIT

355533



Ref.	Part No.	Serial Number	Description	Qty.
▽	9015763	(30000000- 40000000)	Box Kit, Lift, Batt, Am [T500e] (See Note Below)	1
▲	1 1218564	(30000000- 40000000)	Box, Battery [Lift- Out]	1
▲	2 1218566	(30000000- 40000000)	Strap, Pyp, Buckle, Friction, 80.7l	1
▲	3 1212689	(30000000- 40000000)	Pad, Box, Battery	4
▲	4 1073680	(30000000- 40000000)	Cable, 04ga 15.0l Blk [M8 Ring/M8 Ring]	1
▲	5 1075214	(30000000- 40000000)	Cable, Battery, Fuse [Sb120, 100a]	1
▲	6 1074798	(30000000- 40000000)	Cable, Adaptor, Batt [Sb120- Sb50, Red]	1

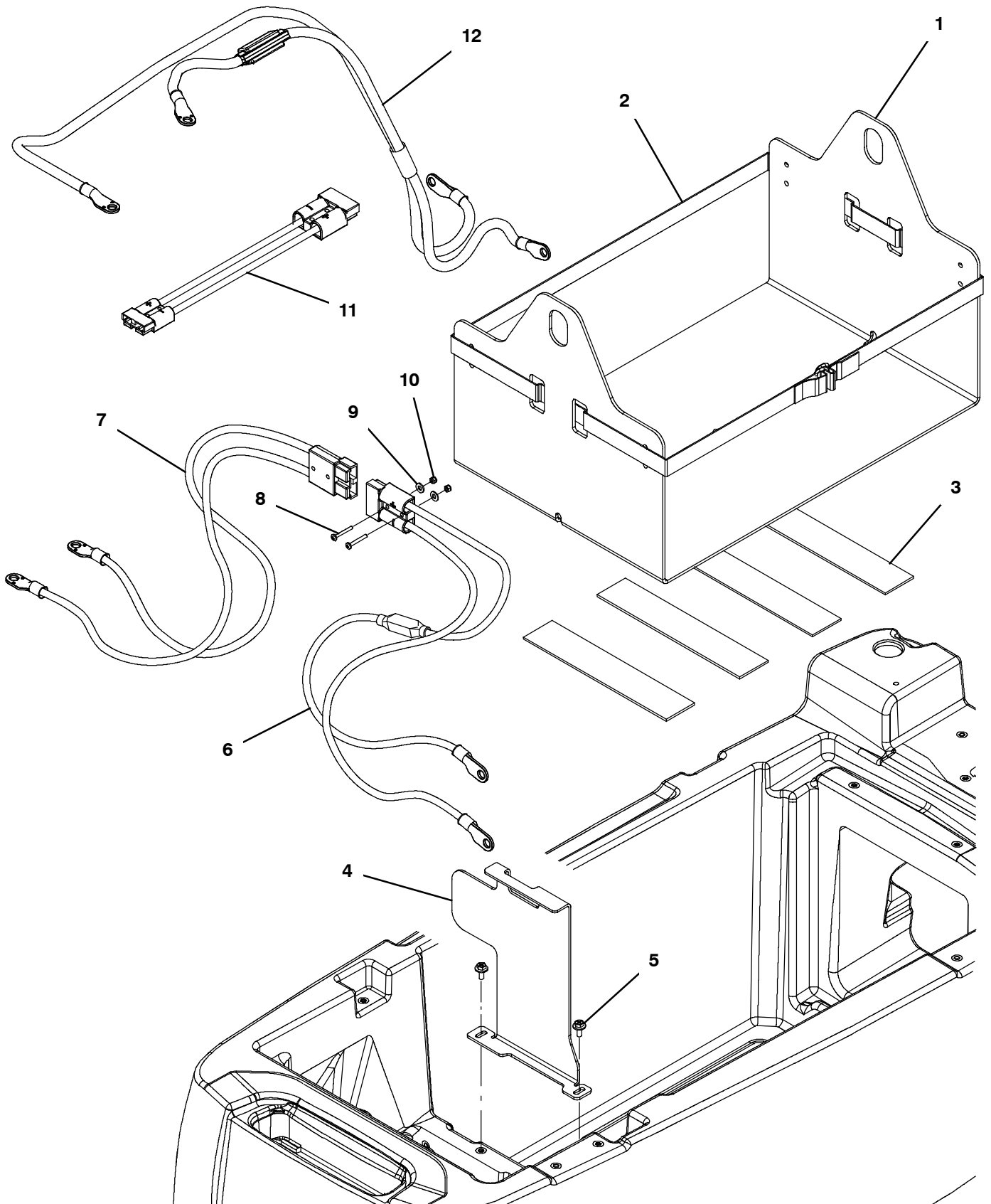
NOTE: KIT CAN ONLY BE USED ON MACHINES WITH BATTERY BOX LIFT OUT ALREADY INSTALLED.

▽ ASSEMBLY

▲ INCLUDED IN ASSEMBLY

BATTERY BOX LIFT OUT GROUP

355501

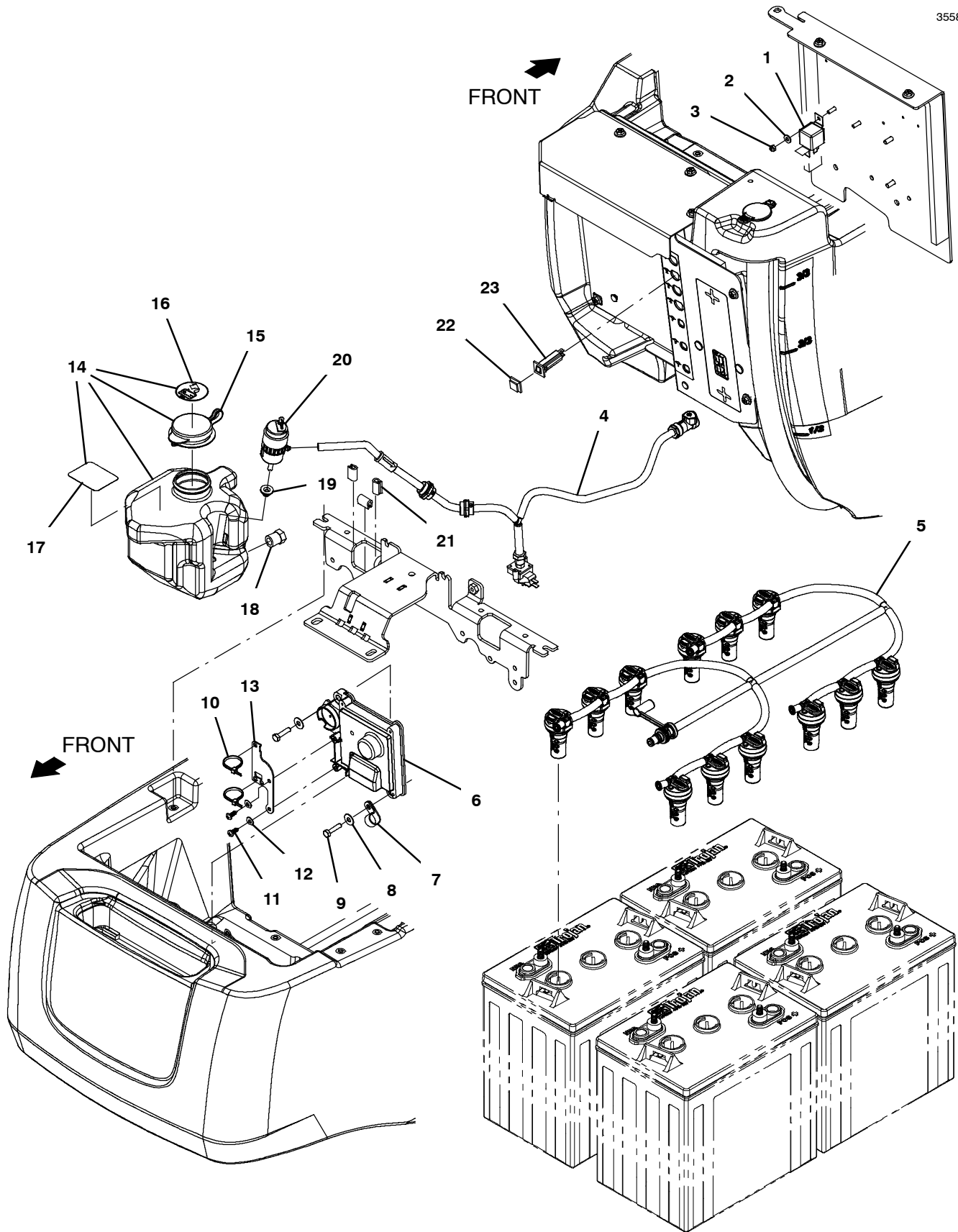


BATTERY BOX LIFT OUT GROUP

Ref.	Part No.	Serial Number	Description	Qty.
1	1218564	(30000000- 40000000)	Box, Battery [Lift- Out]	1
2	1218566	(30000000- 40000000)	Strap, Pyp, Buckle, Friction, 80.7l	1
3	1212689	(30000000- 40000000)	Pad, Box, Battery	4
4	1220341	(30000000- 40000000)	Bracket, Deflector, Battery	1
5	1034731	(30000000- 40000000)	Screw, Hex, M6 X 1.00 X 16, Sems, Ss	2
6	1075214	(30000000- 40000000)	Cable, Battery, Fuse [Sb120, 100a]	1
7	1073629	(30000000- 40000000)	Cable, Battery, 4ga [M8 Ring/M8 Ring]	1
8	33931	(30000000- 40000000)	Screw, Pan, Phl, M4 X 0.70 X 30, Ss	2
9	01683	(30000000- 40000000)	Washer, Flat, 10, Ss	2
10	33932	(30000000- 40000000)	Nut, Hex, Lock, M4 X 0.70, NI, Ss	2
11	1074798	(30000000- 40000000)	Cable, Adaptor, Batt [Sb120- Sb50, Red]	1
12	1074942	(30000000- 40000000)	Cable, Assy [T500,T500e]	1

SMART-FILL AUTOMATIC BATTERY WATERING SYSTEM
(S/N JUN2021 -)

355803



**SMART-FILL AUTOMATIC BATTERY WATERING SYSTEM
(S/N JUN2021 -)**

Ref.	Part No.	Serial Number	Description	Qty.
▽	9021125*	(JUN2021- 40000000)	Fill Kit, Battery, Auto, Ci [Trojan]	1
▲	1 1228510	(30000000- 40000000)	Relay, 24vdc, 80a, Spst No, Plug- In	1
▲	2 01683	(30000000- 40000000)	Washer, Flat, 10, Ss	1
▲	3 09739	(30000000- 40000000)	Nut, Hex, Lock, M5 X 0.80, NI, Ss	1
▲	4 9018989	(JUN2021- 40000000)	Delivery Kit, Water, Battery	1
▲	5 9018988	(JUN2021- 40000000)	Distribution Kit, Water, Battery	1
▲	6 9016770*	(JUN2021- 40000000)	Controller Kit, Battery, 24vdc, Ci [Abw] (See Breakdowns)	1
▲	7 40678- 1	(JUN2021- 40000000)	Clamp, Cable, Stl, 0.88d X 0.62w, 1hole	1
▲	8 01684	(30000000- 40000000)	Washer, Flat, 0.27b 0.69d .05, Ss	2
▲	9 1016005	(30000000- 40000000)	Screw, Hex, M6 X 1.00 X 25, NI, FI, Ss	2
▲	10 130773	(30000000- 40000000)	Tie, Cable, Nyl, 11.0l, .14w, 3.0 Max. D	2
▲	11 1018155	(30000000- 40000000)	Screw, Pan, Phl, M5 X 0.80 X 16, Tcut,Ss	2
▲	12 01683	(30000000- 40000000)	Washer, Flat, 10, Ss	2
▲	13 1252827	(JUN2021- 40000000)	Bracket, Mtg, Abw	1
▲▽	14 9021131	(JUN2021- 40000000)	Tank Kit, Battery Fill, Ci [W/ Pump]	1
▲▲	15 1224600	(30000000- 40000000)	Cap, Snap, 2.17d [Blue]	1
▲▲	16 1224988	(30000000- 40000000)	Label, Automated Battery Watering	1
▲▲	17 1233633	(30000000- 40000000)	Label, Detgt [Do Not Add]	1
▲▲	18 630146	(30000000- 40000000)	Fitting, Plug, Pm06, Hdpe	1
▲▲	19 1231338	(JUN2021- 40000000)	Grommet, Pump	1
▲▲	20 1231018	(JUN2021- 40000000)	Pump, In- Tank, 13.5vdc 3.5lpm	1
▲	21 1020168	(30000000- 40000000)	Molding, Afrmkt, Trim, Pvc, .08 .11, 01ft	1
▲	22 1064191	(30000000- 40000000)	Boot, Circuitbreaker	1
▲	23 1064187	(30000000- 40000000)	Circuitbreaker, 10.0a, Resetable	1

* Requires Tennant *True* service or an authorized Tennant service provider.

▽ ASSEMBLY

▲ INCLUDED IN ASSEMBLY

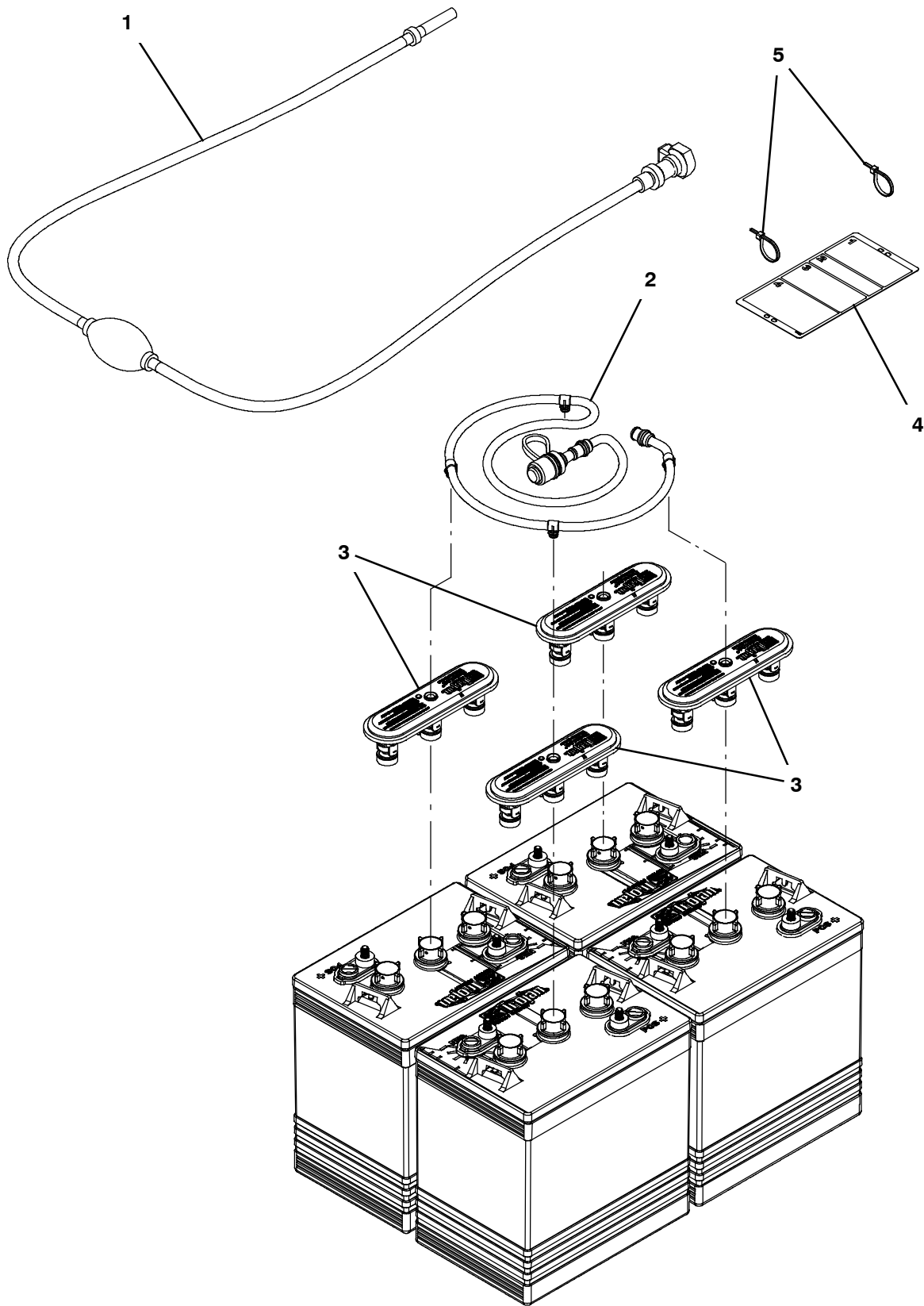
**SMART-FILL AUTOMATIC BATTERY WATERING SYSTEM
(S/N 3000000 - MAY2021)**

Ref.	Part No.	Serial Number	Description	Qty.
1	1221589	(30000000- MAY2021)	Fitting, Plstc, Str, Bm06, Cplg, Fem[HI]	1
2	1006416	(30000000- MAY2021)	Hose, Afmkt, Pvc, Clr, 0.38id, 03ft	1
3	1225185	(30000000- MAY2021)	Valve, Check, 0002psi Bm04/Bm06	1
4	1006415	(30000000- MAY2021)	Hose, Afmkt, Pvc, Clr, 0.25id, 03ft	1
5	150713	(30000000- MAY2021)	Fitting, Plstc, Tee, Bm04/Bm04/Bm04	1
6	130773	(30000000- 40000000)	Tie, Cable, Nyl, 11.0l, .14w, 3.0 Max. D	2
7	1222371	(30000000- MAY2021)	Sensor, Flow, Hall Effect, 5- 24vdc	1
8	1224988	(30000000- 40000000)	Label, Automated Battery Watering	1
9	1212430	(30000000- MAY2021)	Sensor, Level, Liq, 30watt, Spst	1
10	1224600	(30000000- 40000000)	Cap, Snap, 2.17d [Blue]	1
11	1252606	(xxxxxxx- 20000000)	Tank, 2.3l, Trimmed, Se	1
11	1217453	(10000000- xxxxxxxx)	Tank [2.5 Liter] (Replaced By 1252606)	1
12	1233633	(xxxxxxx- 20000000)	Label, Detgt [Do Not Add]	1
12	1228813	(10000000- xxxxxxxx)	Label, Warning, No Detgt (Replaced By 1233633)	1
13	1006415	(30000000- MAY2021)	Hose, Afmkt, Pvc, Clr, 0.25id, 03ft	1
14	1212812	(30000000- MAY2021)	Fitting, Plstc, E90, Qf06/Pm06, Swivel	1
15	1224108	(30000000- MAY2021)	Hose, Mold, Bm04/Bm06	1
16	1018155	(30000000- 40000000)	Screw, Pan, Phl, M5 X 0.80 X 16, Tcut, Ss	2
17	01683	(30000000- 40000000)	Washer, Flat, 10, Ss	2
18	1228042	(30000000- MAY2021)	Fitting, Plstc, Cap, Bm03 [T500]	1
19	1228043	(30000000- MAY2021)	Strap, Retaining, Cap [T500]	1
20	1224016	(30000000- MAY2021)	Hose, Molded, Bm04/Bm06	1
21	1220042	(30000000- MAY2021)	Pump, Fill, Battery	1
22	1222924	(30000000- MAY2021)	Filter, In- Line, Bm04/Bm04, 100mic, 2.0l	1
23	1016005	(30000000- 40000000)	Screw, Hex, M6 X 1.00 X 25, NI, Fl, Ss	2
24	01684	(30000000- 40000000)	Washer, Flat, 0.27b 0.69d .05, Ss	2
25	9018008*	(30000000- MAY2021)	Kit, Module, Abw, Ci (See Breakdowns) (Replaced By 9016770)	1
26	1020168	(30000000- 40000000)	Molding, Afmkt, Trim, Pvc, .08 .11, 01ft	1
27	150407	(30000000- MAY2021)	Fitting, Brs, E90, Pf02/Pm02 [Street]	1
28	1040254	(30000000- MAY2021)	Fitting, Brs, Str, Bm04/Pf02	1
29	1017386	(30000000- MAY2021)	Valve, Vent, Air, Float Type	1
30	1210807	(30000000- MAY2021)	Wire, Tie [W/.25" Fir Tree Clip]	2
31	1204142	(30000000- MAY2021)	Cap, Fill, Battery [Trojan]	4
32	1229544	(30000000- MAY2021)	Tube, Water, Battery, 24vdc [Trojan]	1
33	1064187	(30000000- 40000000)	Circuitbreaker, 10.0a, Resetable	1
34	1064191	(30000000- 40000000)	Boot, Circuitbreaker	1
35	1228510	(30000000- 40000000)	Relay, 24vdc, 80a, Spst No, Plug- In	1
36	01683	(30000000- 40000000)	Washer, Flat, 10, Ss	1
37	09739	(30000000- 40000000)	Nut, Hex, Lock, M5 X 0.80, NI, Ss	1
38	1212857	(30000000- MAY2021)	Fitting, Plstc, Str, Qm06/Bm04	1
39	613735	(30000000- MAY2021)	Clamp, Hose, Wir, .40 - .42, Yel	1
40	1243106	(30000000- MAY2021)	Plate, Shield, Switch	1

* Requires Tennant *True* service or an authorized Tennant service provider.

HYDROLINK[®] MANUAL BATTERY WATERING KIT

355454



HYDROLINK® MANUAL BATTERY WATERING KIT

Ref.	Part No.	Serial Number	Description	Qty.
▽	9010300	(30000000- 40000000)	Battery Fill Kit, 24v, Ci [Hydrolink]	1
▲	1 1058939	(30000000- 40000000)	Pump Kit, Fill, Hand, Battery	1
▲	2 1229544	(30000000- 40000000)	Tube, Water, Battery, 24vdc [Trojan]	1
▲	3 1204142	(30000000- 40000000)	Cap, Fill, Battery [Trojan]	4
▲	4 1071084	(30000000- 40000000)	Label, Tag, Battery [Hydrolink Watering]	1
▲	5 130773	(30000000- 40000000)	Tie, Cable, Nyl, 11.0l, .14w, 3.0 Max. D	2

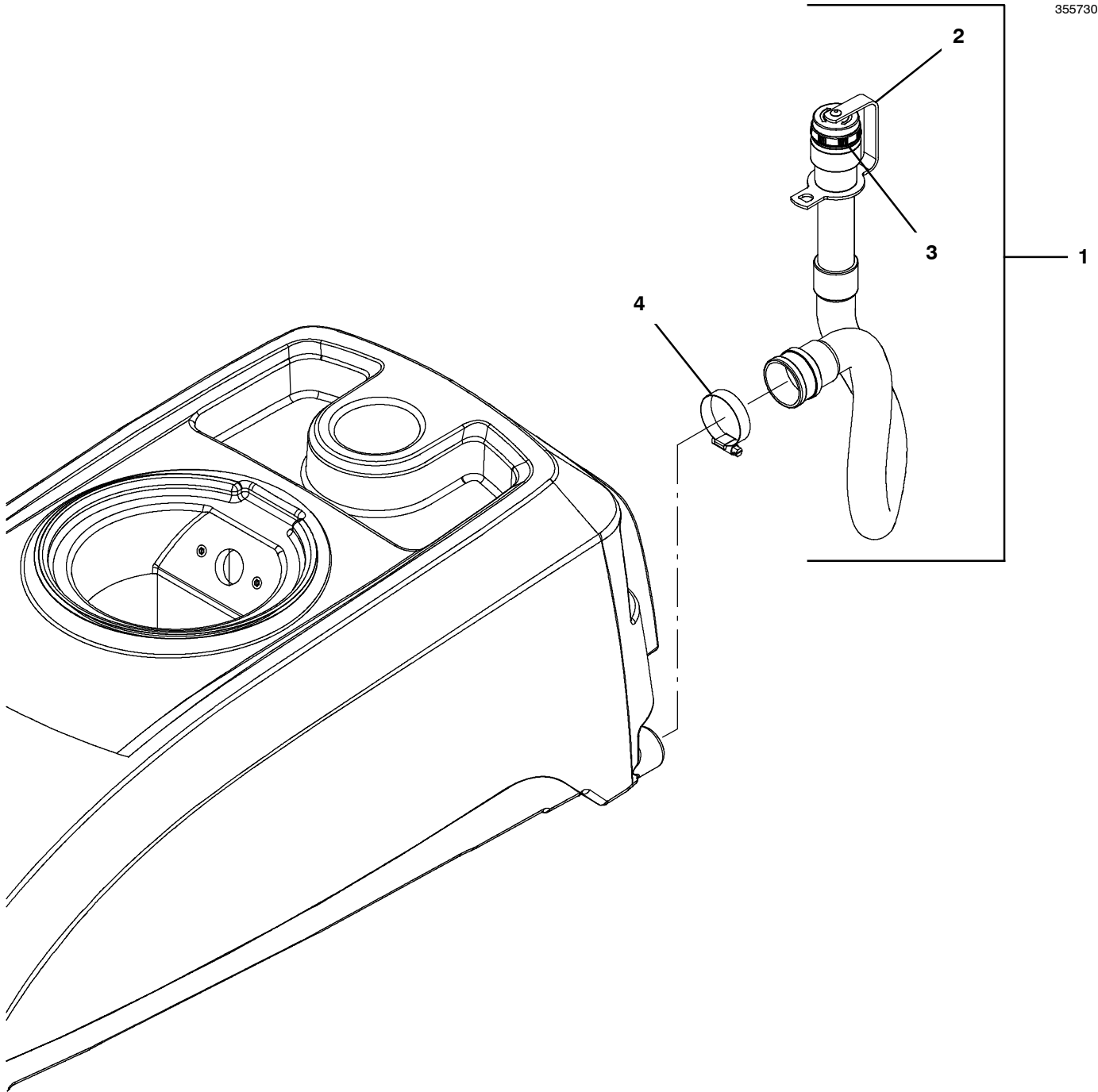
▽ ASSEMBLY

▲ INCLUDED IN ASSEMBLY

HYDROLINK® IS A REGISTERED TRADEMARK OF TROJAN BATTERY COMPANY.

PINCH CUFF SCREW CAP DRAIN HOSE GROUP

355730



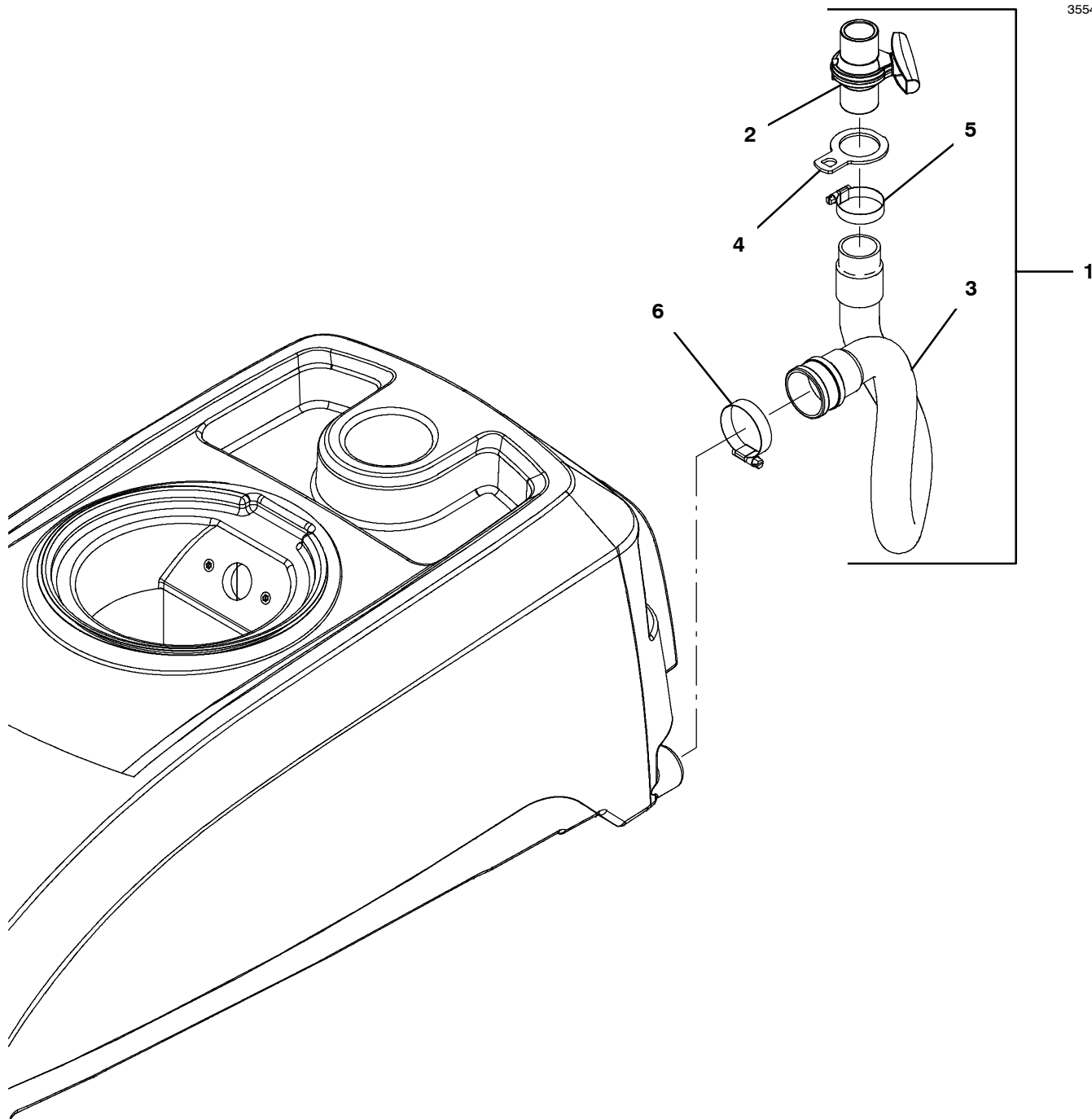
Ref.	Part No.	Serial Number	Description	Qty.
▽	1	1247144	(xxxxxxxx- 40000000) Hose Assy, Drain, 1.5id X 21.0l [Pu] (Gray)	1
▲▽	2	1247319	(30000000- 40000000) Cap, Drain Assy, D- Ring [Gray]	1
▲▲	3	1008637	(30000000- 40000000) Seal, Org, 1.48id 1.76od	1
	4	22297	(30000000- 40000000) Clamp, Hose, Wormdrive, 1.56- 2.50d, .50w	1

▽ ASSEMBLY

▲ INCLUDED IN ASSEMBLY

CONTROL VALVE DRAIN HOSE GROUP

355494



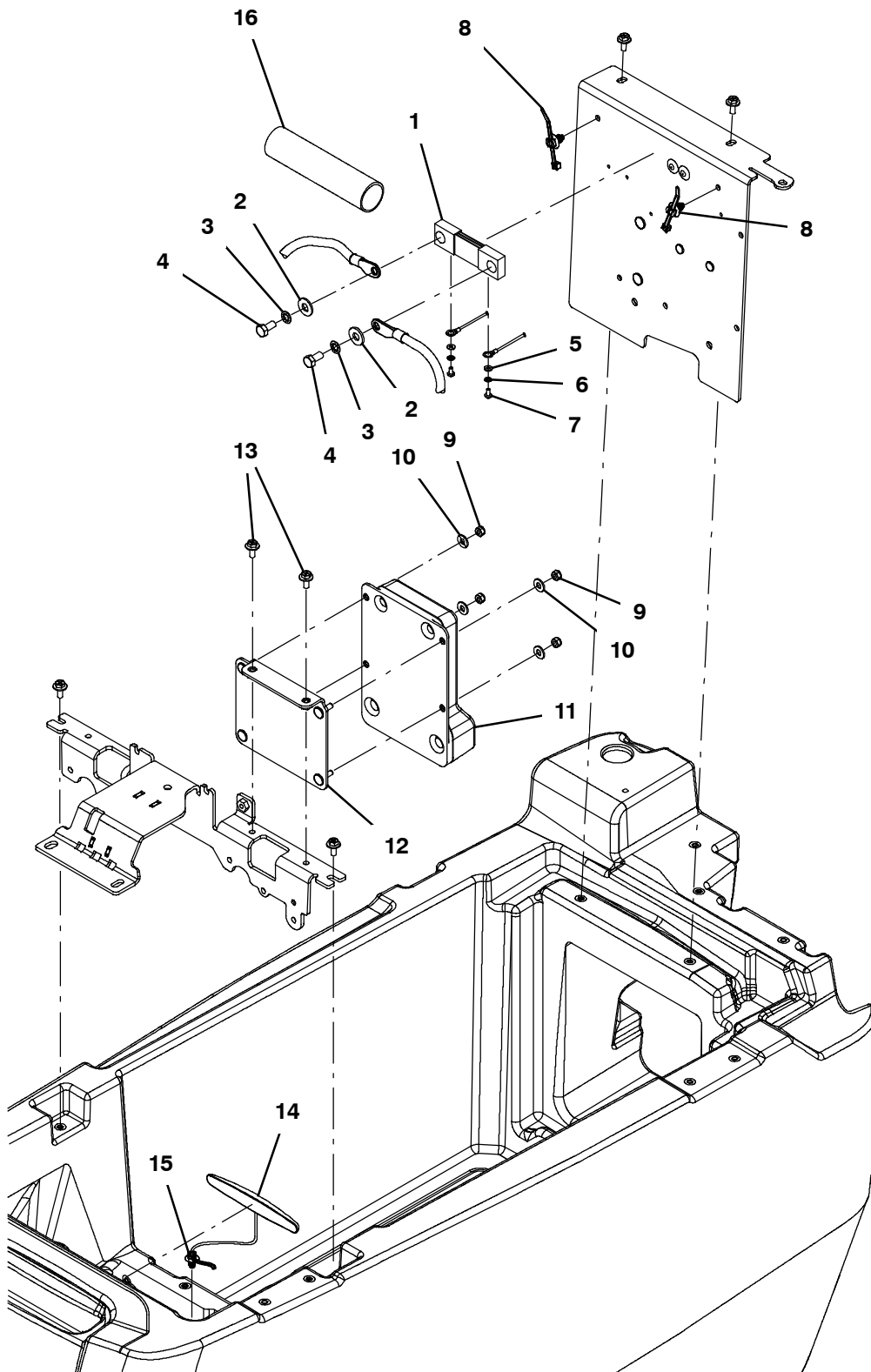
Ref.	Part No.	Serial Number	Description	Qty.
▽ 1	9015727	(30000000- xxxxxxxx)	Hose Kit, Drain, Pu, W/ Valve, Ci[T500e] (Gray) (No Longer Available - Replaced by Gray Pinch Cuff Screw Cap 1247144)	1
▲ 2	1051986	(30000000- xxxxxxxx)	Valve, Ball, 2way, 1.0id Pvc, W/Handle (No Longer Avail- able - Replaced by Gray Pinch Cuff Screw Cap 1247144)	1
▲ 3	1228335	(30000000- xxxxxxxx)	Hose Assy, W/2cuff,1.5d 022l 2.0/1.5[Pu] (Gray) (No Longer Available - Replaced by Gray Pinch Cuff Screw Cap 1247144)	1
▲ 4	1229567	(30000000- 40000000)	Strap, Hanger	1
▲ 5	11531	(30000000- 40000000)	Clamp, Hose, Wormdrive, 1.06- 2.00d, .56w	1
6	22297	(30000000- 40000000)	Clamp, Hose, Wormdrive, 1.56- 2.50d, .50w	1

▽ ASSEMBLY

▲ INCLUDED IN ASSEMBLY

TELEMETRY ELECTRICAL GROUP

355566



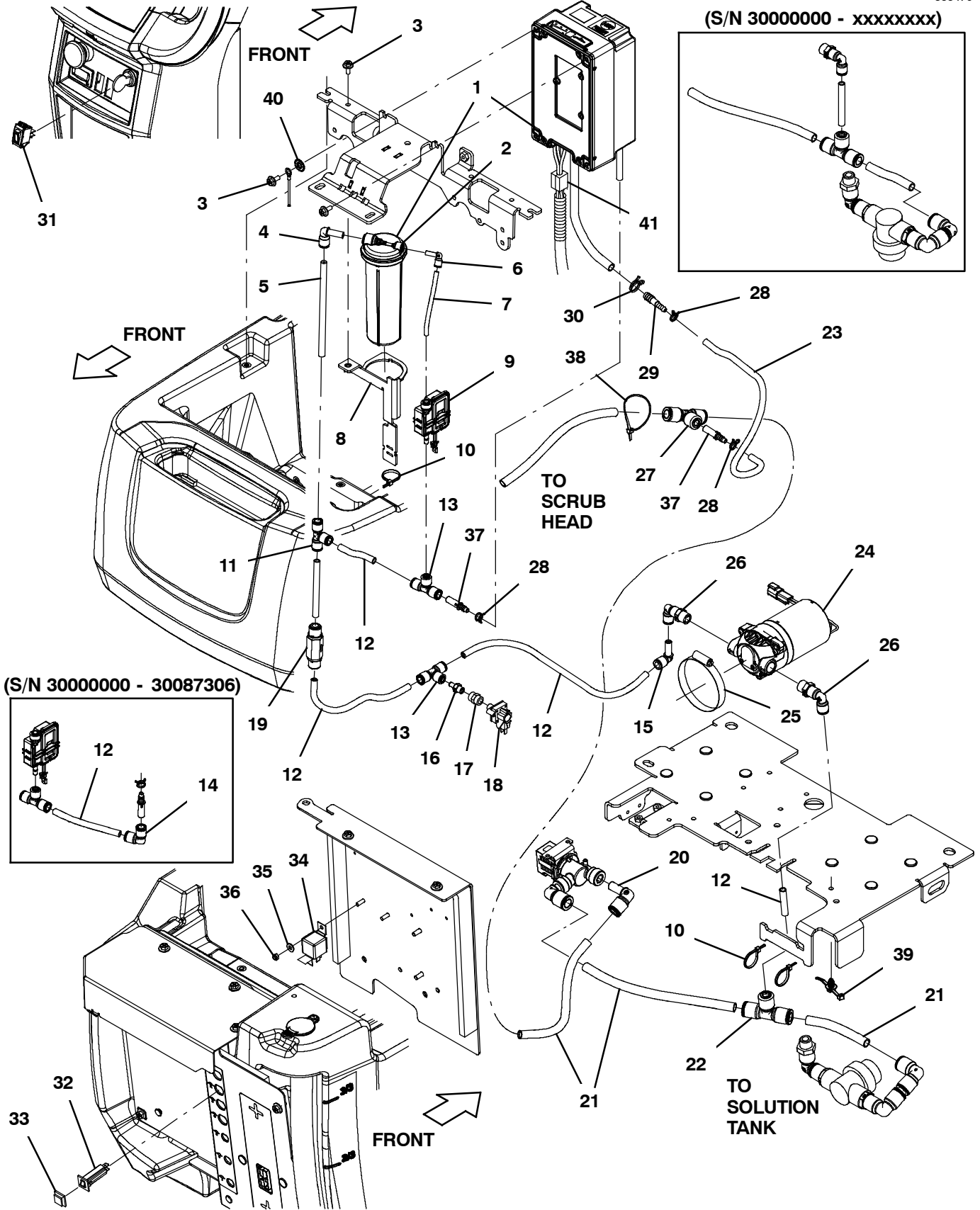
TELEMETRY ELECTRICAL GROUP

Ref.	Part No.	Serial Number	Description	Qty.
1	1217304	(30000000- 40000000)	Shunt [Empro, 250amp/50mv, Metric]	1
2	01685	(30000000- 40000000)	Washer, Flat, 0.38b 0.88d .08, Ss	2
3	43952	(30000000- 40000000)	Washer, Lock, Int, 0.31, Ss	2
4	15675	(30000000- 40000000)	Screw, Hex, M8 X 1.25 X 16, Ss	2
5	41578	(30000000- 40000000)	Washer, Flat, 06, Ss	2
6	02938	(30000000- 40000000)	Washer, Lock, Int, 08, Ss	2
7	391403	(30000000- 40000000)	Screw, Pan, Phl, M4 X 0.70 X 8, Ss	2
8	1210807	(30000000- 40000000)	Wire, Tie [W/.25" Fir Tree Clip]	2
9	08712	(30000000- 40000000)	Nut, Hex, Lock, M6 X 1.00, Ni, Ss	4
10	32483	(30000000- 40000000)	Washer, Flat, 0.25, Sae	4
11	9010086	(30000000- 40000000)	Control Box Assy Kit, Rplmt, Telem[Intl]	1
12	1225123	(30000000- 40000000)	Bracket Wldt, Control Box	1
13	1034731	(30000000- 40000000)	Screw, Hex, M6 X 1.00 X 16, Sems, Ss	2
14	1247569	(xxxxxxx- 40000000)	Antenna, Telem [4g, 36]	1
14	315724	(30000000- xxxxxxxx)	Antenna, Telem, 18.0 In [Gprs] (Replaced By 1247569)	1
15	1210807	(30000000- 40000000)	Wire, Tie [W/.25" Fir Tree Clip]	1
16	1217818	(30000000- 40000000)	Sleeve, Heatshrink, 1.50id, 07.0l	1

ec-H₂O SOLUTION GROUP

355470

(S/N 3000000 - xxxxxxxx)



(S/N 3000000 - 30087306)

TO SOLUTION TANK

TO SCRUB HEAD

FRONT

FRONT

FRONT

ec-H2O SOLUTION GROUP

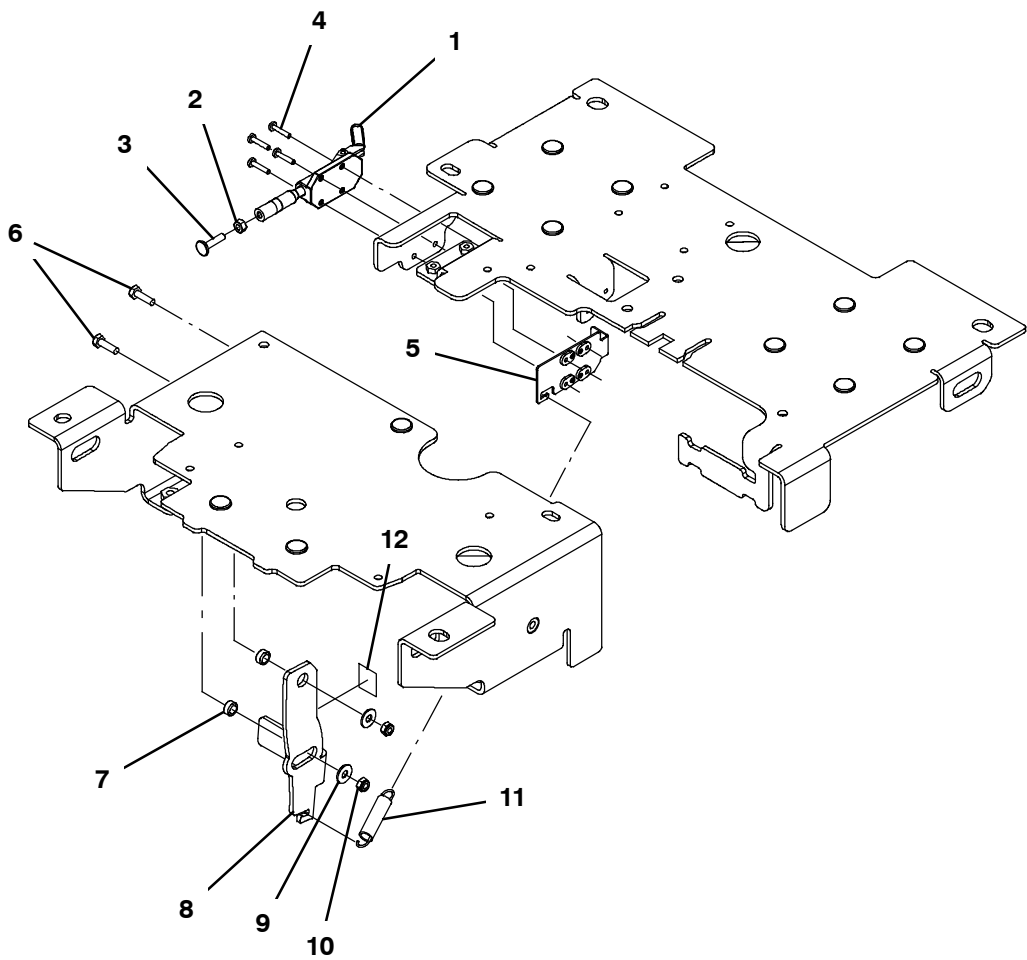
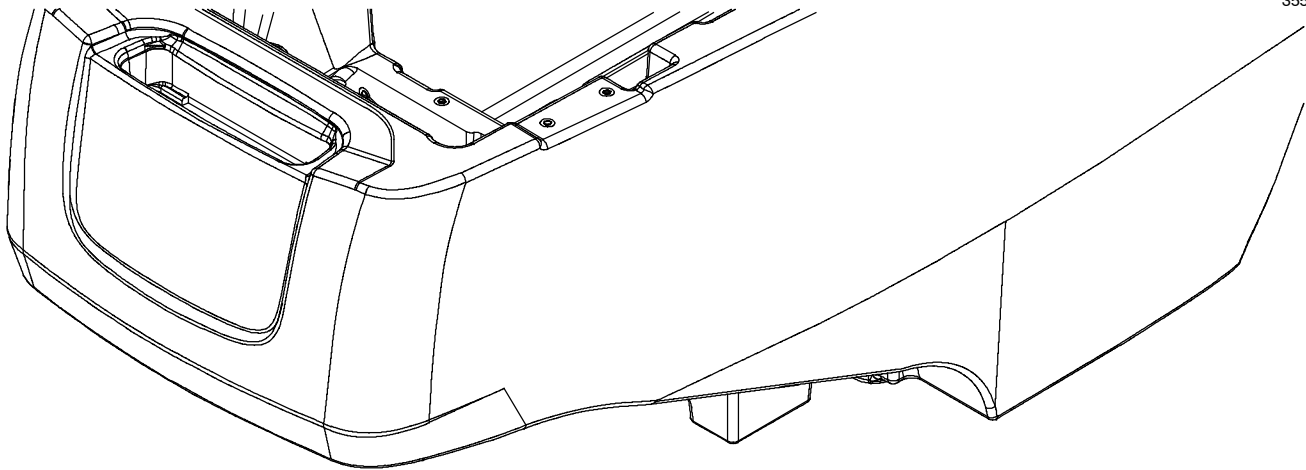
Ref.	Part No.	Serial Number	Description	Qty.
▽	1	9020643	(JUN2020- 40000000) Module Kit, Replmt [Ec- H2o, B 02] (See Breakdowns) (Australia Also Requires Qty 1 Ferrite #1065665)	1
▽	1	9011810	(30000000- MAY2020) Module Kit, Replmt [Ec- H2o, B 02] (See Breakdowns) (Australia Also Requires Qty 1 Ferrite #1065665) (Replaced By 9020643)	1
▲	2	9013646	(30000000- 40000000) Cartridge, Ec- H2o Nanoclean Wcm, 270ml	1
	3	1034731	(30000000- 40000000) Screw, Hex, M6 X 1.00 X 16, Sems, Ss	4
	4	1215186	(30000000- 40000000) Fitting, Plstc, E90, Qf06/Qm06	1
	5	9014146	(30000000- 40000000) Hose, Afmkt, Pvc, 0.06id .38od, 05ft	1
	6	1214339	(30000000- 40000000) Fitting, Plstc, E90, Qfo4/Qm04	1
	7	9014147	(30000000- 40000000) Hose, Afmkt, Pvc, 0.06id .25od, 05ft	1
	8	1221926	(30000000- 40000000) Bracket Wldt, Mtg, Ec- H20 [T500]	1
	9	1216973	(30000000- 40000000) Pump Assy, Dispenser	1
	10	130773	(30000000- 40000000) Tie, Cable, Nyl, 11.0l, .14w, 3.0 Max. D	3
	11	1212573	(30000000- 40000000) Fitting, Plstc, Tee, Qf06/Qf06/Qf06	1
	12	9014148	(30000000- 40000000) Hose, Afmkt, Nat, 0.25id 0.375od, 06ft	1
	13	1212855	(30000000- 40000000) Fitting, Plstc, Tee, Qf04/Qf06/Qf06	2
	14	1212856	(30000000- 30087306) Fitting, Plstc, E90, Qf06/Qf06	1
	15	1215186	(30000000- 40000000) Fitting, Plstc, E90, Qf06/Qm06	1
	16	1216185	(30000000- 40000000) Fitting, Plstc, Str, Qm04/Pm02	1
	17	150307	(30000000- 40000000) Fitting, Brs, Cplg, Pf02/Pf02	1
	18	1044414	(30000000- 40000000) Switch, Press, 15psi, Pm02	1
	19	1215527	(30000000- 40000000) Valve, Check, 1.0 Psi Qf06/Qf06	1
	20	1212809	(30000000- 40000000) Fitting, Plstc, E90, Qf08/Qm08	1
	21	9014145	(30000000- 40000000) Hose, Afmkt, Pe, .375id .50od, 05ft	1
	22	1212875	(30000000- 40000000) Fitting, Plstc, Tee, Qf06/Qf08/Qf08	1
	23	1014985	(30000000- 40000000) Hose, Afmkt, Pvc, Clr, 0.25id, 08ft	1
	24	1210517	(30000000- 40000000) Pump, Soltn, Ele, 24vdc, 35 Psi	1
	25	43555	(30000000- 40000000) Clamp, Hose, Wormdrive, 2.62- 3.50d	1
	26	1212812	(30000000- 40000000) Fitting, Plstc, E90, Qf06/Pm06, Swivel	2
	27	1212875	(30000000- 40000000) Fitting, Plstc, Tee, Qf06/Qf08/Qf08	1
	28	613735	(30000000- 40000000) Clamp, Hose, Wir, .40 - .42, Yel	3
	29	1039557	(30000000- 40000000) Fitting, Plstc, Str, Bm04/Bm06	1
	30	607775	(30000000- 40000000) Clamp, Hose, Wir, .63 - .66, Blk	1
	31	1044393	(30000000- 40000000) Switch, Rocker, Spst, Mom	1
	32	1064187	(30000000- 40000000) Circuitbreaker, 10.0a, Resetable	1
	33	1064191	(30000000- 40000000) Boot, Circuitbreaker	1
	34	1228510	(30000000- 40000000) Relay, 24vdc, 80a, Spst No, Plug- In	1
	35	01683	(30000000- 40000000) Washer, Flat, 10, Ss	1
	36	09739	(30000000- 40000000) Nut, Hex, Lock, M5 X 0.80, NI, Ss	1
	37	1212857	(30000000- 40000000) Fitting, Plstc, Str, Qm06/Bm04	2
	38	130773	(30000000- 40000000) Tie, Cable, Nyl, 11.0l, .14w, 3.0 Max. D	1
	39	41140	(30000000- 40000000) Washer, Lock, Int- Ext, 0.25	1
	40	1210807	(xxxxxxx- 40000000) Wire, Tie [W/.25" Fir Tree Clip]	1
	41	1065665	(30000000- 40000000) Inductor, 32.3mml [Ferrite 10- 250mhz] (Australia Only)	1

▽ ASSEMBLY

▲ INCLUDED IN ASSEMBLY

PARKING BRAKE GROUP

355496



PARKING BRAKE GROUP

Ref.	Part No.	Serial Number	Description	Qty.
1	1221694	(30000000- 40000000)	Clamp, Brake, Parking [T500]	1
2	07785	(30000000- 40000000)	Nut, Hex, Std, M6 X 1.00, Ss	1
3	1017416	(30000000- 40000000)	Screw, Weld, M6 X 1.00 X 25, Thru, Ss	1
4	12323	(30000000- 40000000)	Screw, Pan, Phl, M4 X 0.70 X 20, Ss	4
5	1221695	(30000000- 40000000)	Plate Wldt, Brake [T500]	1
6	08716	(30000000- 40000000)	Screw, Hex, M6 X 1.00 X 20, Ss	2
7	360801	(30000000- 40000000)	Sleeve, 0.32b 0.50d 0.3l, 2cham, Ss	2
8	1221423	(30000000- 40000000)	Shoe, Brake, Parking	1
9	01684	(30000000- 40000000)	Washer, Flat, 0.27b 0.69d .05, Ss	2
10	08712	(30000000- 40000000)	Nut, Hex, Lock, M6 X 1.00, NI, Ss	2
11	75575	(30000000- 40000000)	Spring, Extn, 0.50od 0.06wir 02.5l	1
12	1224990	(30000000- 40000000)	Label, Opertnl, Parking Brake	1

OPTIONS

DOCUMENTATION GROUP (ONLINE ONLY)

Ref.	Part No.	Serial Number	Description	Qty.
	9015525	(30000000- 40000000)	Manual, Parts [T500e, Cn Plnt]	1
	9015506	(30000000- 40000000)	Manual, Oprtr [T500e, En, Na/Intl]	1
	9015526	(30000000- 40000000)	Manual, Oprtr [T500e, Cn]	1
	9015527	(30000000- 40000000)	Manual, Oprtr [T500e, Kr]	1
	9015528	(30000000- 40000000)	Manual, Oprtr [T500e, Jp]	1
	9015510	(30000000- 40000000)	Instr, Wall Chart [T500e, Na]	1
	9015511	(30000000- 40000000)	Manual, Service [T500e, En]	1

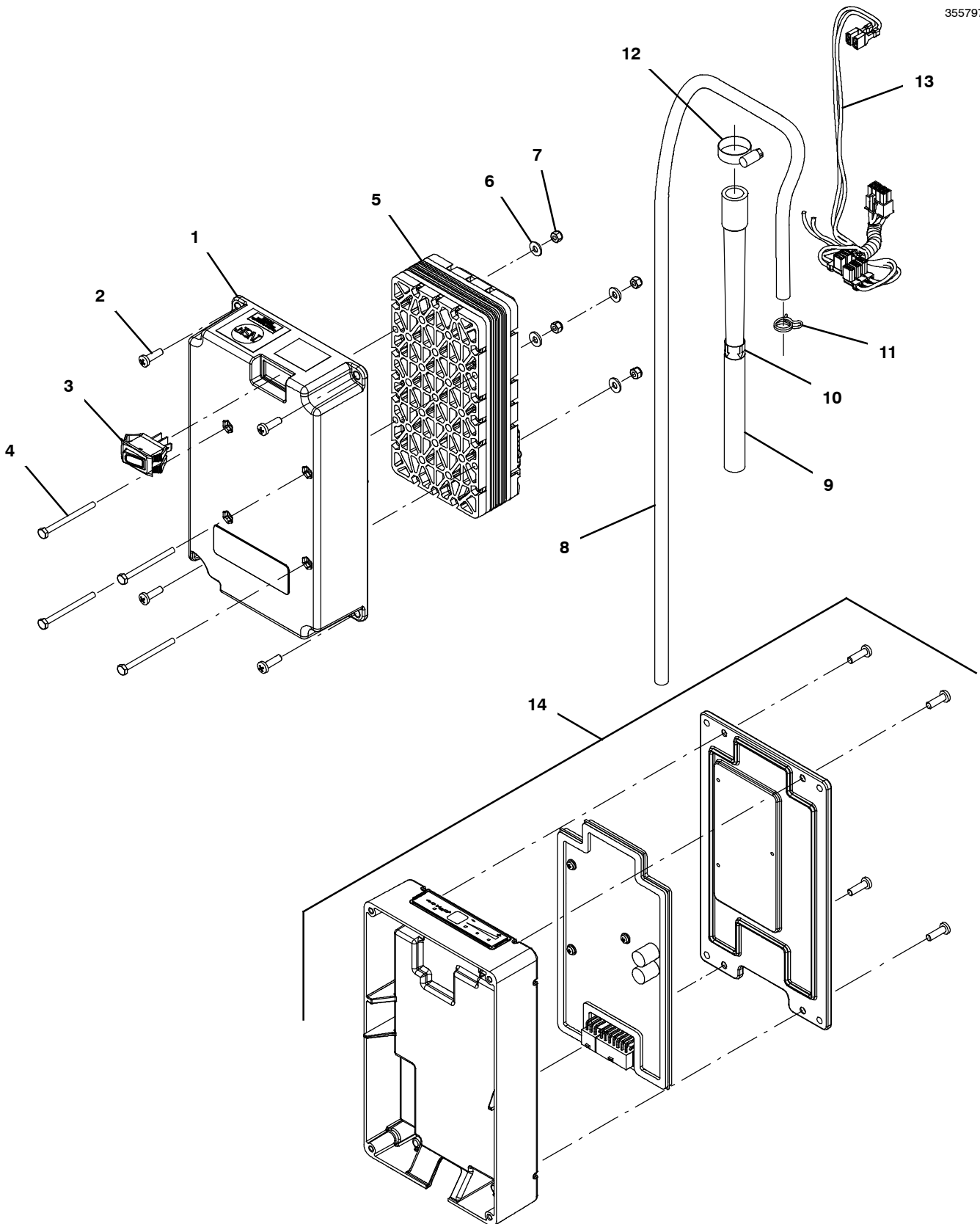


To view, print, order, download the latest Parts manual, other language Operator manuals, and Use and Care Guides (wall charts), visit:

www.tennantco.com/manual

ec- H2O NANOCLEAN MODULE BREAKDOWN 9020643
(S/N JUN2020 -)

355797



**ec- H2O NANOCLEAN MODULE BREAKDOWN 9020643
(S/N JUN2020 -)**

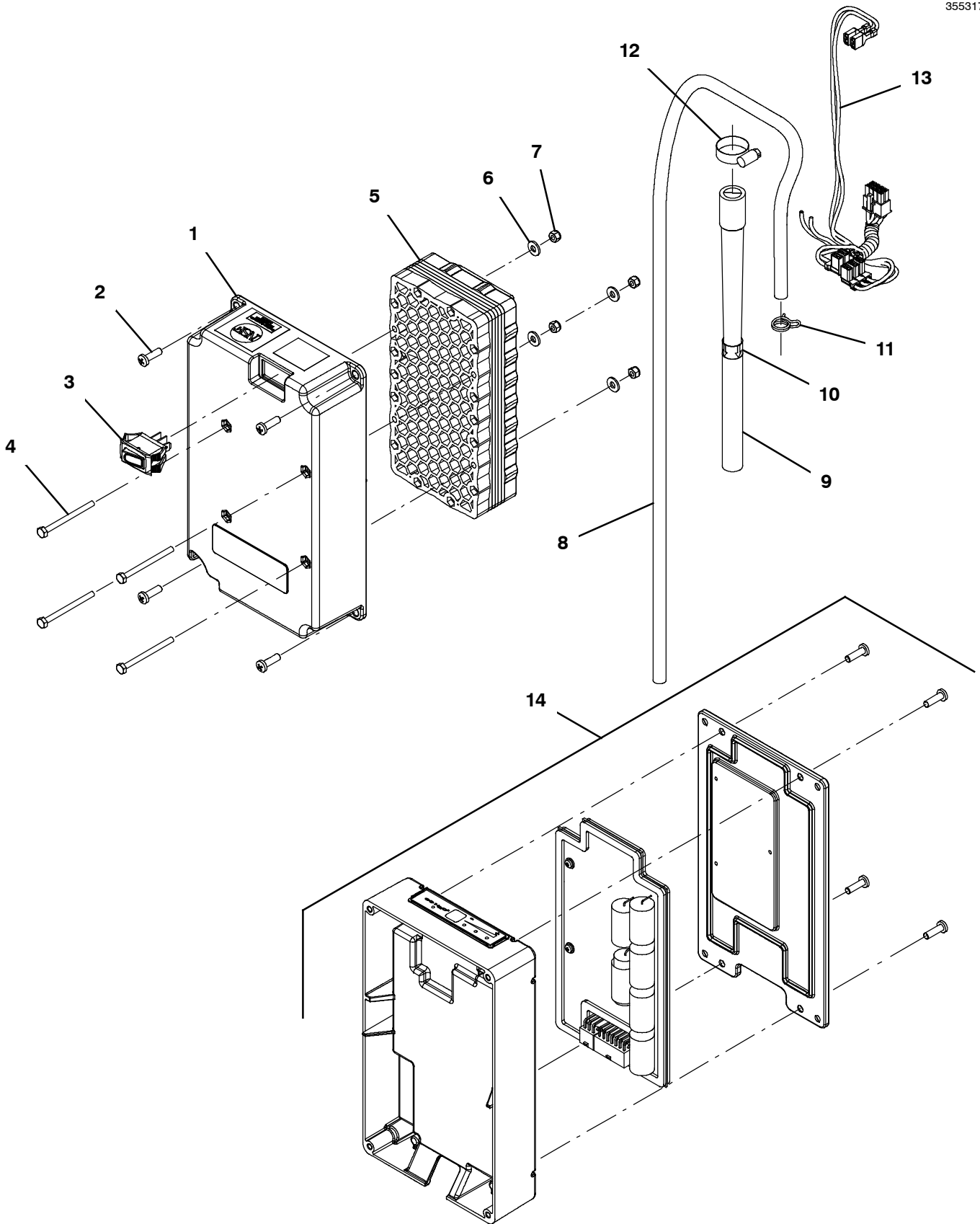
Ref.	Part No.	Serial Number	Description	Qty.
▽	9020643	(JUN2020- 40000000)	Module Kit, Replmt [Ec- H2o, B 02] (Includes ec- H2O NanoClean Cartridge)	1
▲▽	9014126	(30000000- 40000000)	Ec- H2o Nc Kit [Module B, Plumbing]	1
▲▲	1 1208823	(30000000- 40000000)	Housing, Module, Upper, Ec- H2o	1
▲▲	2 1015506	(30000000- 40000000)	Screw, Pan, Phl, M5 X 16, Tcut [Plastic]	4
▲▲	3 1044393	(30000000- 40000000)	Switch, Rocker, Spst, Mom	1
▲▲	4 32509	(30000000- 40000000)	Screw, Hex, M4 X 0.70 X 50, Ss	4
▲▲	5 1233516	(MAY2019- 40000000)	Electrode, 5 Plate [De Nora Tech]	1
▲▲	6 41579	(30000000- 40000000)	Washer, Flat, 08, Ss	4
▲▲	7 33932	(30000000- 40000000)	Nut, Hex, Lock, M4 X 0.70, Ni, Ss	4
▲▲	8 1006415	(30000000- 40000000)	Hose, Afrmkt, Pvc, Clr, 0.25id, 03ft	1
▲▲	9 1208526	(30000000- 40000000)	Hose, Molded, Bm08/Bm06	1
▲▲	10 1049637	(30000000- 40000000)	Label, Direction [Ec- H2o]	1
▲▲	11 613735	(30000000- 40000000)	Clamp, Hose, Wir, .40 - .42, Yel	1
▲▲	12 54333	(30000000- 40000000)	Clamp, Hose, Wormdrive, 0.31- 0.88d, .31w	1
▲▲	13 1073286	(30000000- 40000000)	Harness, Ele, Module B2 [Ec- H2o]	1
▲	14 9020642	(JUN2020- 40000000)	Controller Kit, Replmt [Ec- H2o Nc] (Includes ec- H2O NanoClean Cartridge)	1

▽ ASSEMBLY

▲ INCLUDED IN ASSEMBLY

**ec- H2O NANOCLEAN MODULE BREAKDOWN 9011810
(S/N 30000000 - MAY2020)**

355317



**ec- H2O NANOCLEAN MODULE BREAKDOWN 9011810
(S/N 30000000 - MAY2020)**

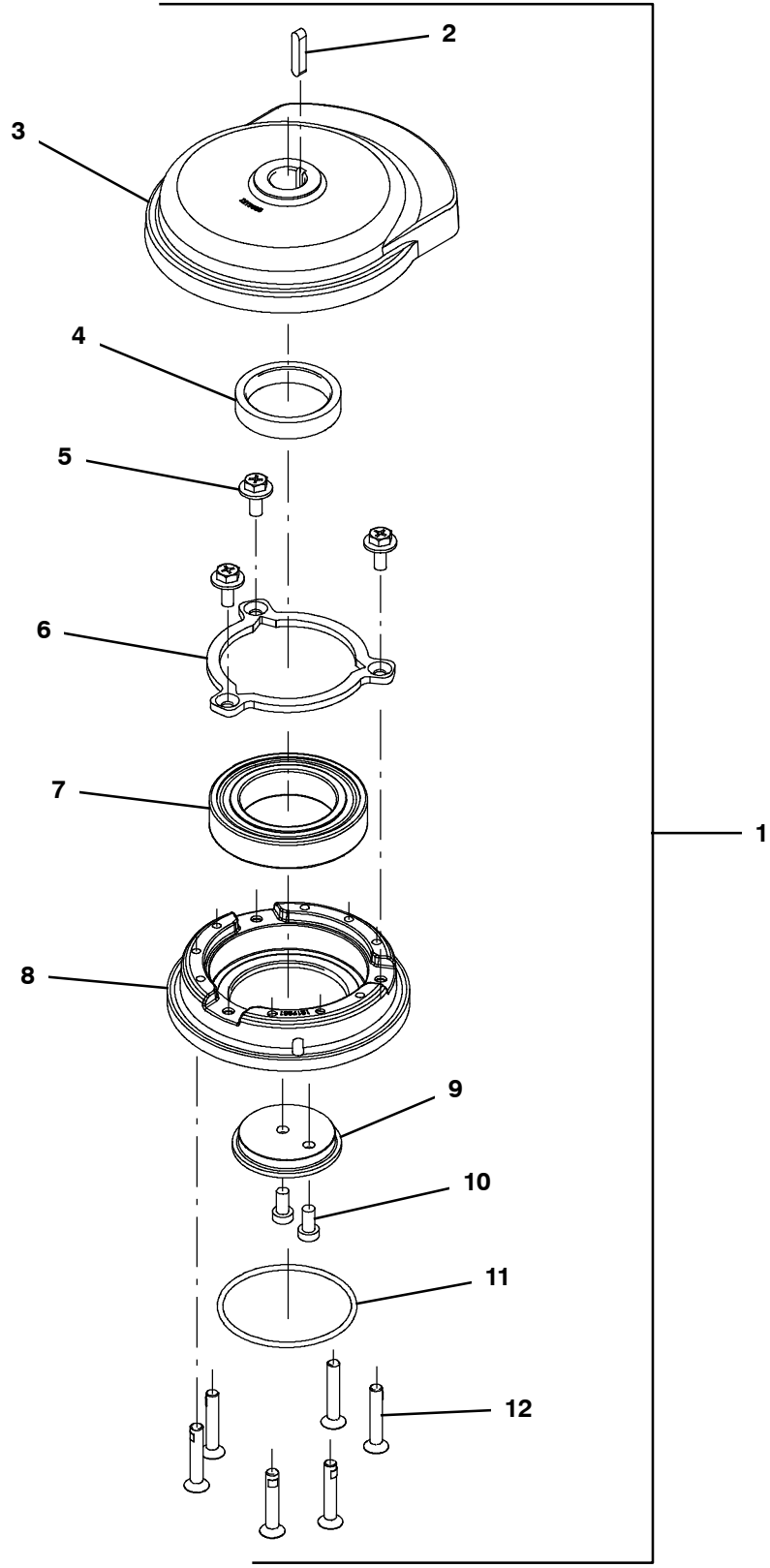
Ref.	Part No.	Serial Number	Description	Qty.
▽	9011810	(30000000- MAY2020)	Module Kit, Replmt [Ec- H2o, B 02](Includes ec- H2O NanoClean Cartridge) (Replaced By 9020643)	1
▲▽	9014126	(30000000- 40000000)	Ec- H2o Nc Kit [Module B, Plumbing]	1
▲▲	1 1208823	(30000000- 40000000)	Housing, Module, Upper, Ec- H2o	1
▲▲	2 1015506	(30000000- 40000000)	Screw, Pan, Phl, M5 X 16, Tcut [Plastic]	4
▲▲	3 1044393	(30000000- 40000000)	Switch, Rocker, Spst, Mom	1
▲▲	4 32509	(30000000- 40000000)	Screw, Hex, M4 X 0.70 X 50, Ss	4
▲▲	5 1208164	(30000000- APR2019)	Electrode, 5 Plate, High Flow	1
▲▲	6 41579	(30000000- 40000000)	Washer, Flat, 08, Ss	4
▲▲	7 33932	(30000000- 40000000)	Nut, Hex, Lock, M4 X 0.70, Ni, Ss	4
▲▲	8 1006415	(30000000- 40000000)	Hose, Afrmkt, Pvc, Clr, 0.25id, 03ft	1
▲▲	9 1208526	(30000000- 40000000)	Hose, Molded, Bm08/Bm06	1
▲▲	10 1049637	(30000000- 40000000)	Label, Direction [Ec- H2o]	1
▲▲	11 613735	(30000000- 40000000)	Clamp, Hose, Wir, .40 - .42, Yel	1
▲▲	12 54333	(30000000- 40000000)	Clamp, Hose, Wormdrive, 0.31- 0.88d, .31w	1
▲▲	13 1073286	(30000000- 40000000)	Harness, Ele, Module B2 [Ec- H2o]	1
▲	14 9014127	(30000000- MAY2020)	Controller Kit, Replmt [Ec- H2o Nc] (Includes ec- H2O NanoClean Cartridge) (Replaced By 9020642)	1

▽ ASSEMBLY

▲ INCLUDED IN ASSEMBLY

ORBITAL HEAD ECCENTRIC DRIVE BREAKDOWN

355477



ORBITAL HEAD ECCENTRIC DRIVE BREAKDOWN

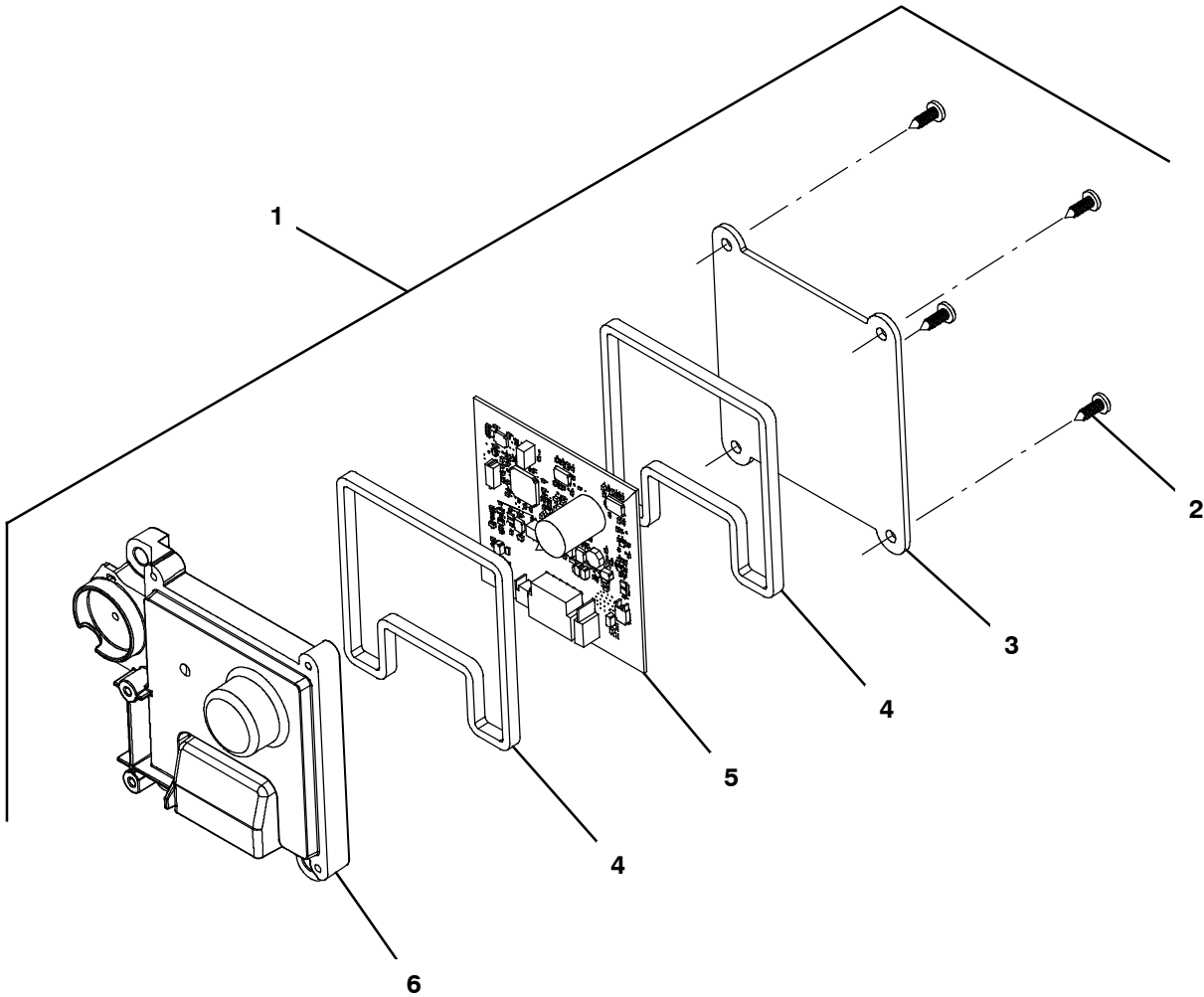
Ref.	Part No.	Serial Number	Description	Qty.
▽	1	9015774	(30000000- 40000000) Eccentric Drive Kit, Orbital	1
▲	2	1231238	(30000000- 40000000) Key, Sq, 5mm X 5mm X 22mm	1
▲	3	N/A	(30000000- 40000000) Balance, Eccentric, Step [Machined]	1
▲	4	N/A	(30000000- 40000000) Spacer, Eccentric	1
▲	5	N/A	(30000000- 40000000) Screw, Hex, M6 X 1.00 X 16, Sems	3
▲	6	N/A	(30000000- 40000000) Plate, Retainer, Brg, Outer	1
▲	7	1220452	(30000000- 40000000) Bearing, Ball, 2.17b 3.54d .71w	1
▲	8	N/A	(30000000- 40000000) Housing, Bearing, Outer [Machined]	1
▲	9	N/A	(30000000- 40000000) Retainer, Bearing, Inner [Qpq]	1
▲	10	N/A	(30000000- 40000000) Screw, Soc, M6 X 1.00 X 12, 8.8, Low	2
▲	11	1221394	(30000000- 40000000) Seal, Org, .125 X 02.63id	1
▲	12	1212710	(30000000- 40000000) Screw, Flt, Soc, M6 X 1.00 X 35, 10.9,NI	6

▽ ASSEMBLY

▲ INCLUDED IN ASSEMBLY

AUTOMATIC BATTERY WATERING MODULE BREAKDOWN

355564



Ref.	Part No.	Serial Number	Description	Qty.
▽	1	9016770*	(JUN2021- 40000000) Controller Kit, Battery, 24vdc, Ci [Abw]	1
▽	1	9018008*	(30000000- MAY2021) Kit, Module, Abw, Ci	1
▲	2	1018155	(30000000- 40000000) Screw, Pan, Phl, M5 X 0.80 X 16, Tcut,Ss	4
▲	3	1223055	(30000000- 40000000) Panel, Mtg, Fill, Auto, Battery	1
▲	4	1223286	(30000000- 40000000) Seal, Cover, Board, Battery Watering	2
▲	5	1220931	(30000000- 40000000) Circuitboard Assy [Abw Module]	1
▲	6	1223261	(30000000- 40000000) Cover, Circuitboard, Battery Watering	1

*** Requires Tennant *True* service or an authorized Tennant service provider.**

▽ ASSEMBLY

▲ INCLUDED IN ASSEMBLY

