

# Trusted Clean

This equipment is intended for commercial use only.

## 7 GALLON SELF-CONTAINED EXTRACTOR OWNER'S MANUAL



**MODEL**  
**TPL-7-100-SCE-TC**  
**1-888-722-5508**

## **BEFORE OPERATING THE MACHINE**

---

Read the manual carefully and completely before attempting to operate the unit. This manual has important information for the use and safe operation of the machine. Keep this manual handy at all times. This machine will ensure years of satisfactory service if operated and maintained according to recommendations in the manual. If additional information is needed, please contact us at the phone number below:

1-888-722-5508

All information and specifications printed in the manual and parts list are current at the time of printing; however, because of Cleanfreak.com's policy of continual product improvement, we reserve the right to make changes at any time without notice.

This machine is shipped with antifreeze in the solution line system to protect the pump and valves from freezing during transport and storage. Before you use the unit, rinse the solution line system with clean water (See Preparing The Machine).

## **WARNING**

---

- The machine was designed for use on carpet, floor and upholstery extraction application as per instructions and recommendations written in this manual. Any deviation from its proper use or purpose and the consequential damage that may occur is the sole responsibility of the end user.
- Disconnect the power cord from outlet before servicing. Do not leave machine connected to an electrical outlet when unattended.
- Do not immerse or use this machine in standing water. Such use may cause electric shock.
- This equipment is not designed to handle or use combustible/volatile substance such as gasoline or kerosene, in, on, or near the machine. The use of such materials will cause an extreme hazard condition.
- When using an extension cord, use only a 3 conductor grounding cord—12 ga. wire or heavier.
- To avoid electric shock, do not expose the unit to rain—store it indoors only.
- Do not use the machine for dry vacuuming. This machine is not outfitted with a fine dust filter and it will damage the vacuum motor(s).

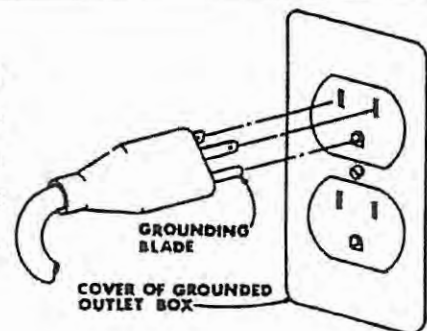
- Use defoamer at all times to prevent damage to the vacuum motor(s).
- Do not use water in excess of 140°F (62°C).
- Use only commercially available carpet cleaners and defoamer intended for use with machines of this type. Do not use dyes, bleaches, ammonia or other additives. The use of powdered cleaning solution if not diluted properly made result in damage to the pump.
- Do not expose machine to freezing temperatures.
- All repairs must be done by an authorized EDIC repair station.
- Do not use replacement parts other than those specified in the parts list.

FAILURE TO COMPLY WITH THE ABOVE WARNING INSTRUCTIONS WILL VOID THE WARRANTY.

### **GROUNDING INSTRUCTIONS**

---

The 120 V. A/C and the 220 V. A/C models have been outfitted with the appropriate grounded connectors. Make sure the machine is connected to a grounded outlet having the same configuration as the grounded plug. No adapter should be used with this machine. Any modification to the connectors will void the warranty.



### **PREPARING THE MACHINE**

---

1. Rinse then fill the recovery pail with clean hot tap water (not to exceed 140°F). When pouring water, make sure drain hose is clipped in the upright position. Pour the water into the solution tank.
2. Add recommended amount of cleaning solution to the tank, follow mixing directions on label for best results.
3. Set the recovery pail back in place. Add recommended amount of defoamer to the recovery pail. Close the lid.

### **TO CLEAN CARPET**

---

1. Connect machine to a grounded electrical outlet.
2. Turn on the VACUUM, PUMP and BRUSH switches.
3. Lift up on the handle grips to insure that the front of the machine rests on the carpet. Slowly pull the machine backwards while pressing on the carpet spray switch (below the left handle grip). Monitor the extraction process through the vacuum lid. Release the spray switch 6 inches before ending the stroke.

**NOTE:** On Supernova models the "Activate" switch operates the solution release and brush. Use the direction lever to operate the machine in the direction you wish to clean.

NOTE: If dirty solution does not appear through the vacuum lid check to be sure if:

- The vacuum lid is resting properly on the recovery pails
- The machine's nose is touching the carpet in the working mode.
- The solution tank is not empty.

4. Roll the machine forward on its four wheels for next stroke. Make overlapping passes to prevent streaking. Check solution level from time to time (see solution indicator tube on rear left corner of the back).

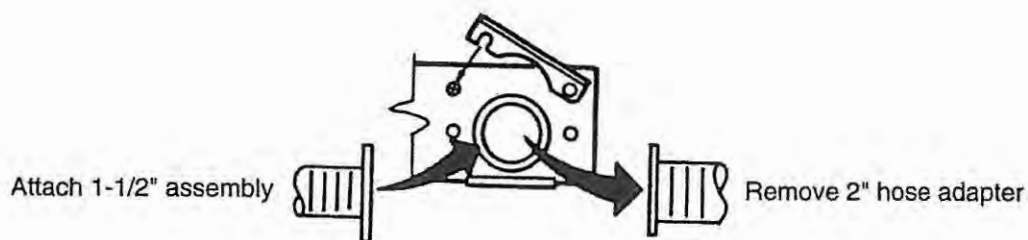
NOTE: If foam appears on vacuum lid, turn the VACUUM SWITCH OFF IMMEDIATELY. Add more defoamer to the recovery pails to dissolve foam or empty the recovery pails.

5. When the solution tank runs empty, turn off the vacuum, pump and brush switches. Empty the recovery pail and rinse thoroughly. Then repeat steps on PREPARING THE MACHINE.

### **TO ATTACH ACCESSORY HOSE**

---

1. Remove 2" hose adapter connection from machine.
2. Attach 1 1/2" assembly with adapter plate to vacuum lid inlet.
3. Pull back female quick disconnect sleeve on the machine and insert male plug on the solution hose.



### **TO EMPTY THE SOLUTION TANK**

---

1. Unhook the drain nozzle (located on the side of the machine from the drain clips), placing the end of the hose into the recovery pail.

### **AFTER EACH USE**

---

- Empty and thoroughly rinse the recovery pail.
- Coil power cord onto the cord wrap.
- Remove dirt and lint build-up inside vacuum lid filter screen.
- Clean solution line filter.
- Wash the vacuum lid with a soap solution and sponge to prevent dirt from accumulating on the surface. (To avoid scratching use soft cloth only).
- Lean the machine back on its 4 wheels during storage or when it's not in use to prevent brush distortion.)

## **MAINTENANCE**

---

The upright extractor is engineered for minimum maintenance. But it does require some care to keep it in optimum working condition. Careful attention to these maintenance instructions will give you maximum operating performance and life expectancy of the machine.

- Solution line, fittings and accessory tools. —Flush the machine and accessories at least once a month with solution of 1 part water to 3 parts white vinegar to neutralize the alkaline residue left by the cleaning solution.
- Filter Solution screen. —Unscrew bowl and rinse screen in running tap water. If screen is clogged up with soap, soak in vinegar solution and brush clean.
- Vacuum lid screens. —Always keep the screen clean in order to maintain maximum suction and airflow performance from the vacuum motor. The screens also prevent lint from accumulating in the vacuum motor fan chamber thus increasing the productive life of the motor. Do not operate the unit without the screen installed! If the screen gets lost or damaged, replace it immediately.
- Quick disconnect coupler. —Spray with lubricant (WD-40) or equivalent to prevent coupler from sticking.

## **TROUBLESHOOTING** Polaris and Supernova Models

---

*For additional Supernova troubleshooting see page 7 thru 12*

### **ELECTRICAL SYSTEM**

PROBLEM	POSSIBLE CAUSE
No electrical power.	<ol style="list-style-type: none"><li>1. Defective power cord.</li><li>2. House or building circuit breaker trips.</li></ol>
Switch is turned on. Power is intermittent to motor.	<ol style="list-style-type: none"><li>1. Faulty electrical cable.</li><li>2. Defective Switches.</li><li>3. Loose terminal or discolored terminal connections.</li></ol>

### **VACUUM SYSTEM**

PROBLEM	POSSIBLE CAUSE
No Vacuum	<ol style="list-style-type: none"><li>1. Vacuum lid is not resting on recovery pail.</li><li>2. Loose vacuum hose, vacuum connection.</li></ol>
Low Vacuum	<ol style="list-style-type: none"><li>1. Accumulated dirt on lid screen.</li><li>2. Worn out vacuum lid gasket.</li><li>3. Lint &amp; dirt build-up on suction head. (brush chamber).</li><li>4. Defective vacuum hose.</li><li>5. Loose connection in the vacuum motor.</li></ol>

## SOLUTION SYSTEM

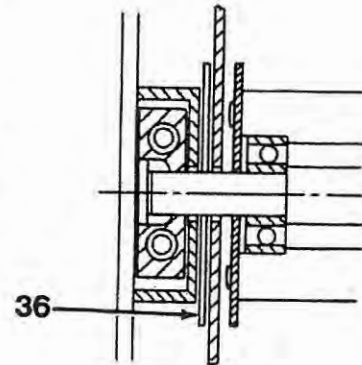
PROBLEM	POSSIBLE CAUSE
Pump motor on, no spray thru carpet spray tips or accessory tool	<ol style="list-style-type: none"> <li>1. Clogged spray tips.</li> <li>2. Clogged solution intake filter screen.</li> <li>3. Clogged solenoid valve or open solenoid coil.</li> <li>4. If carpet spray works normally, plugged up female quick disconnect coupler.</li> <li>5. Punctured pump diaphragm.</li> <li>6. Defective pump check valve.</li> <li>7. Crack in pump housing.</li> <li>8. Debris in check valve.</li> </ol>
Uneven or weak spray from tips.	<ol style="list-style-type: none"> <li>1. Clogged or dirty spray tips.</li> <li>2. Accumulated dirt on solution intake filter screen.</li> <li>3. Accumulation of debris inside pump and plumbing.</li> <li>4. Worn pump bearing (excessive noise).</li> <li>5. Punctured pump diaphragm.</li> <li>6. Defective rectified</li> </ol>
Carpet spray is turned off solution still drips from spray tips.	<ol style="list-style-type: none"> <li>1. Debris caught in between the 3 solenoid valve parts and the plunger.</li> </ol>
Vacuum motor working pump motor fails to turn on.	<ol style="list-style-type: none"> <li>1. Loose "Molex" plug connector. Loose wiring connection.</li> <li>2. Defective pressure switch in pump motor (100 psi model).</li> <li>3. Defective pump motor or rectifier.</li> </ol>

## ROTARY BRUSH SYSTEM

PROBLEM	POSSIBLE CAUSE
Motor runs, brush won't spin.	<ol style="list-style-type: none"> <li>1. Loose pulley tension.</li> <li>2. String caught between walls.</li> </ol>
Brush motor fails to turn on after circuit breaker has been reset.	<ol style="list-style-type: none"> <li>1. Defective bridge rectifier.</li> <li>2. Defective motor.</li> </ol>
Floating brush won't move up and down.	<ol style="list-style-type: none"> <li>1. Debris caught inside the slide block guide.</li> </ol>

## **BRUSH DRIVE BELT SERVICE AND/OR REPLACEMENT (refer to parts diagram).**

1. Remove 2 1/4-20 hex screws attaching lower frame to upper frame.
2. Remove (2) spring cover plate assemblies and carefully remove springs from the slide blocks.
3. Loosen (2) 1/4-20 hex screws that hold brush motor bracket in place. Push bracket toward the front of the machine to loosen belt.
4. Remove right Open-End and left Pulley-End cover plates.
5. Slide brush assembly and slide blocks out from their guides. Replace worn and defective belt.
6. Reinstall above components. Clean accumulated lint or debris inside the slide block guides and check for wear on the teflon surfaces. Replace if necessary. The slide block washer (item #36) must be installed between the slide block guide and inside the divider wall. Adjust belt tension by moving motor bracket toward the rear. Apply minimum belt tension when the hex bolts are tightened to allow for a smooth vertical brush movement. A belt too loose will cause the belt to skip when brush is applied on the carpet. A belt too tight won't allow for up and down movement.



## **REPLACEMENT OF BRUSH ASSEMBLY AND/OR BEARINGS**

1. Repeat steps 1 thru 4.
2. Remove slide blocks from the ends of the brush shaft.
3. Remove (4) screws from string guard. Tap the shaft toward the right open end to remove the bearing.
4. Remove (4) screws from slinger and pull off brush core. Scrape off old sealant build up on the slinger and string guard. It is advisable to replace the two bearings every time the brush is replaced.
5. Reinstall the above component. CAUTION! Install shorter step on the shaft ends toward the left pulley side. Apply silicon sealant such as GE Silicon auto seal onto the ends of the brush core before reassembling the slinger and string guard.

# **PARTS DIAGRAM**

## **TRUSTED CLEAN SELF-CONTAINED EXTRACTOR**



# TPL-7-100-SCE-TC

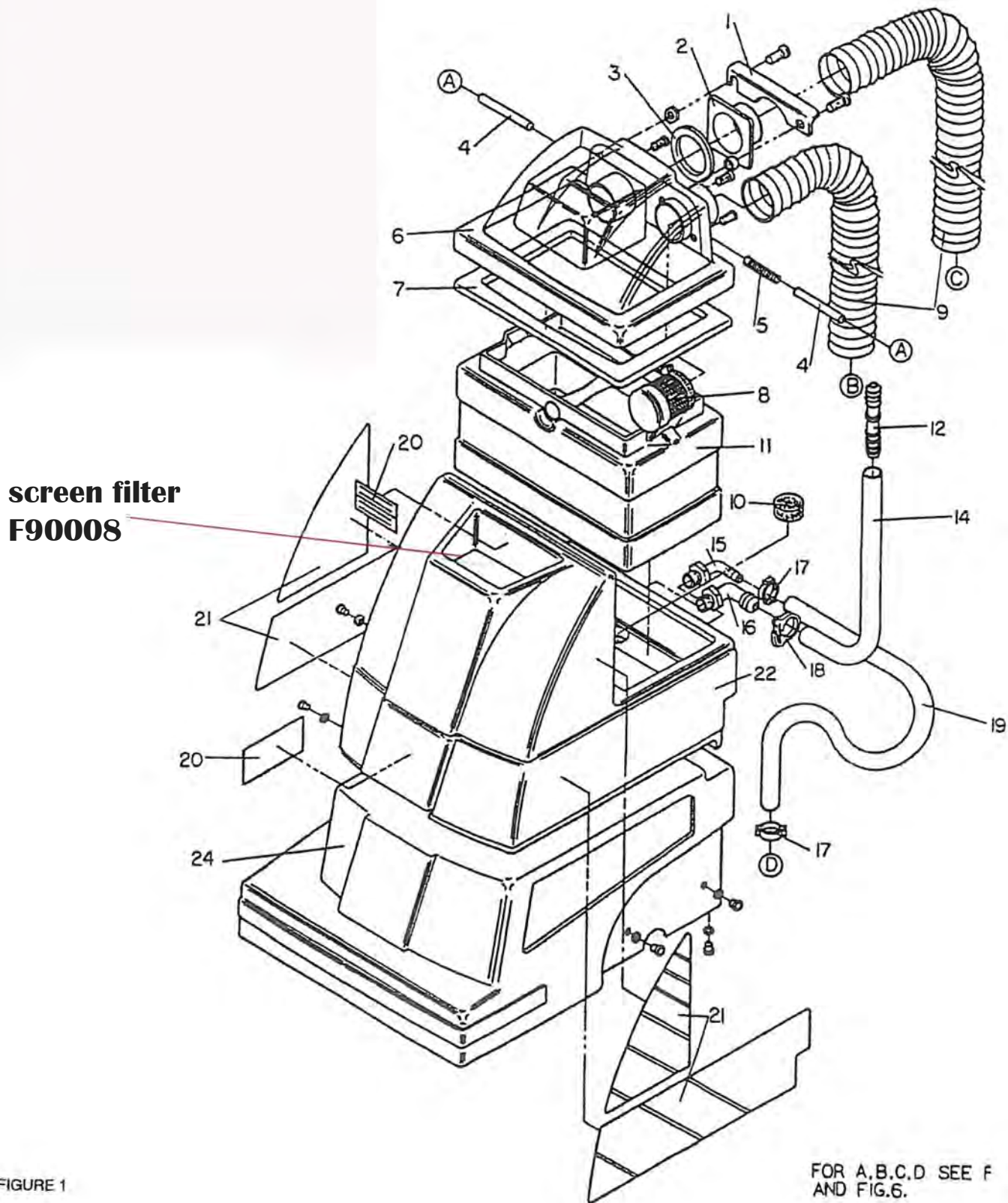
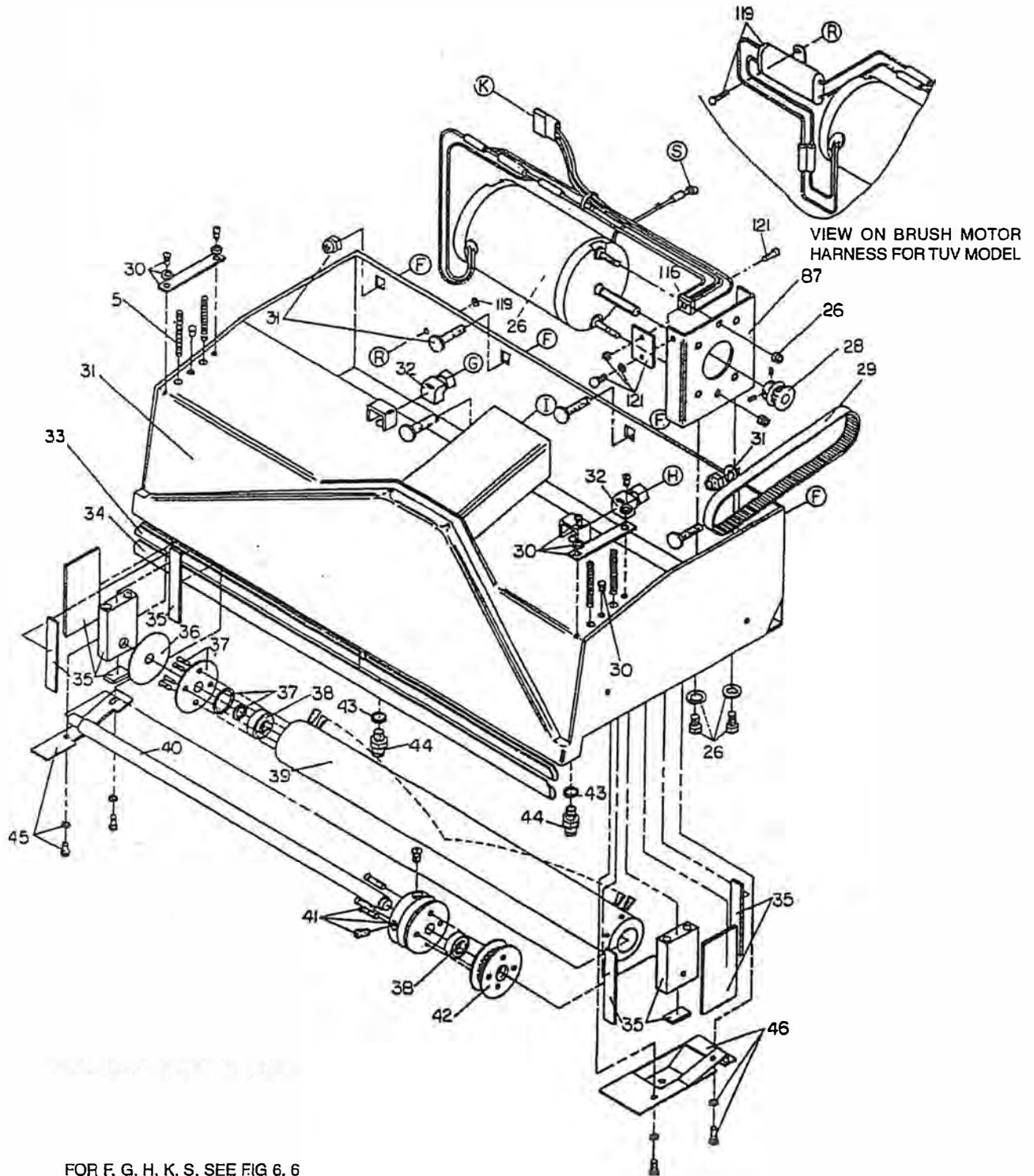


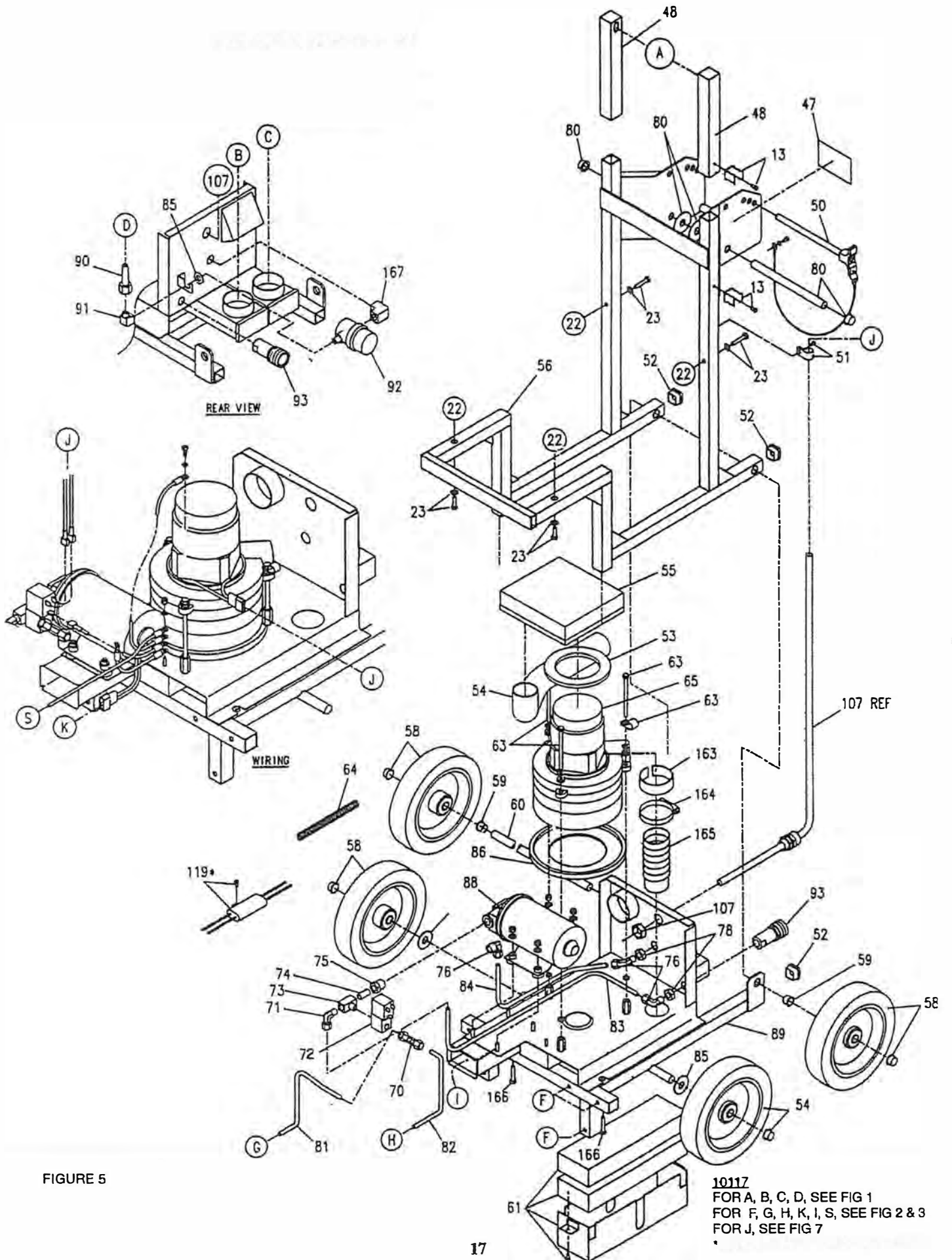
FIGURE 1

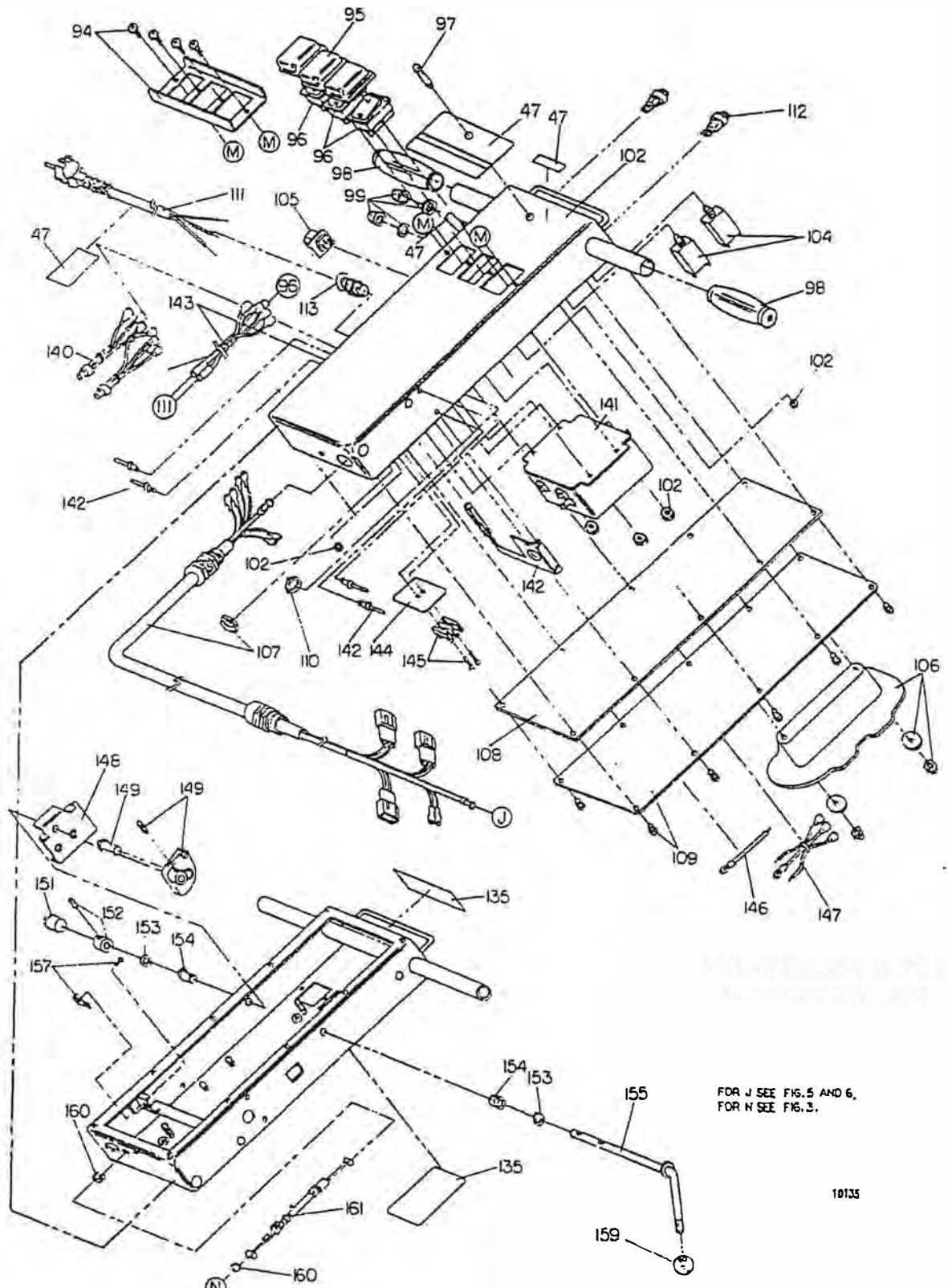


FOR F, G, H, K, S, SEE FIG 6, 6

10137

FIGURE 2





FOR J SEE FIG. 5 AND 6,  
FOR N SEE FIG. 3.

10135

ADDITIONAL PARTS FOR SUPERNOVA

FIGURE 7

# PARTS LIST

Item	Description	Part No.	qty	fig
1	CLIP, ADAPTER RETAINER	D02391	1	1
2	HOSE, ADAPTOR	D02359	1	1
3	SEAL, VACUUM INTAKE	E02431	1	1
4	SHAFT, LID PIVOT	D02373-1	2	1
5	SPRING, DOME PIVOT	D02372	1	1
	SPRING, SLIDE BLOCK	D02372	4	2 & 3
6	VACUUM LID ASSEMBLY	80491-1A	1	1
7	GASKET, VACUUM LID	E03431	1	1
8	FILTER SCREEN ASSEMBLY, VACUUM LID	82407A	1	1
9	HOSE, VACUUM, 2" ID	J00618	2	1
10	PLUG, SOLUTION TANK	L00767	1	1
11	RECOVERY PAIL (POLARIS 700)	F11813-BWG	1	1
12	DRAIN NOZZLE, 1/2 BARB x 1/2 BARB	A00165	1	1
13	CLIP ASSEMBLY, DRAIN HOSE	80263-3A	2	5 & 6
14	HOSE, DRAIN, 5/8 OD x 1/8 WALL	J00598	1	1
15	90 ELBOW, 1/2 MP x 3/8 BARB	A00138	1	1
16	90 ELBOW, 1/2 MP x 5/8 BARB	A00099	1	1
17	CLAMP, HOSE, 5/8	J00637	2	1
18	CLAMP, HOSE, 7/8	J00652	1	1
19	HOSE, SOLUTION, 3/8 ID	J00613	1	1
20				
21	DECAL KIT MOLDED INTO PLASTIC			
22	SOLUTION TANK ASSEMBLY	F11811-BWG	1	1
23	SOLUTION TANK MOUNTING KIT	82310A	1	5 & 6
24	HOUSING, MOTOR, 17"	F11818-STCB	1	1
26	BRUSH DRIVE MOTOR ASSEMBLY (115V)	82538A	1	2 & 3
27	WIRE ASSEMBLY, GROUND (BRUSH MOTOR)	00185-6A	1	2 & 3
	WIRE ASSEMBLY, GROUND (VACUUM MOTOR)	00185-6A	1	5
28	PULLEY, BRUSH DRIVE MOTOR	D00398-1	1	2 & 3
29	BELT, TIMING	L00779-1	1	2 & 3
30	COVER PLATE ASSEMBLY, SPRING	82378A	1	2 & 3

# PARTS LIST

Item	Description	Part No.	qty	fig
31	BRUSH CHAMBER ASSEMBLY (14")	82405A	1	2 & 3
	BRUSH CHAMBER ASSEMBLY (17")	82406A	1	2 & 3
32	90 ELBOW, 1/8 FP x 1/4 C (14")	A00144	1 (2)	2 & 3
	90 ELBOW, 1/8 FP x 1/4 C (17")	A00144	2	2 & 3
33	GLIDE, BACK (14")	D02388-1	1	2 & 3
	GLIDE, BACK (17")	D02389-1	1 (2)	2 & 3
34	GLIDE, FRONT (14")	D02388	1	2 & 3
	GLIDE, FRONT (17")	D02389	1 (2)	2 & 3
35	SLIDE BLOCK ASSEMBLY	80500A	2	2
36	WASHER, SLIDE BLOCK, 1/16 THK, 25/64 ID, 2" OD	F00504	1	2
37	STRING GUARD ASSEMBLY	82235A	1	2
38	BEARING, BRUSH	G00536	2	2
39	BRUSH, ROTARY (14")	F010057	1	2
	FULLY ASSEMBLED BRUSH USE	010057A		
40	SHAFT, BRUSH (14")	D02386	1	2
	SHAFT, BRUSH (17")	D02387	1	2
41	SLINGER ASSEMBLY, ROTARY BRUSH	82376A	1	2
42	PULLEY, ROTARY BRUSH	D00398-2	1	2
43	WASHER, 3/32 THK, 7/16 ID, 5/8 OD (14")	C02298	1	2 & 3
	WASHER, 3/32 THK, 7/16 ID, 5/8 OD (17")	C02298	2 (4)	2 & 3
44	SPRAY TIP	A00091	1	2 & 3
45	COVER PLATE ASSEMBLY, OPEN END	82368A		2 & 3
46	COVER PLATE ASSEMBLY, PULLEY END	82367A	1	2 & 3
47	LABEL KIT, ENGLISH	H00563	1	1,5,6,7
48	PIVOT EXTENSION LID FRAME (POLARIS 500)	D02344-1	2	5 & 6
	PIVOT EXTENSION, LID FRAME (POLARIS 700)	D02344	2	5 & 6
50	PIN ASSEMBLY, RETAINING	82383A	1	5 & 6
51	CLAMP ASSEMBLY, CORD	80187A	1	5 & 6
52	CAP, END	K00712-4	4	5 & 6
53	GASKET, COOLING AIR DUCT	E02450	1	5 & 6
54	HOSE, EXHAUST, 2"	J00654	1	5 & 6
55	DUCT, COOLING AIR	D02394	1	5 & 6
56	FRAME, UPPER	D02397	1	5 & 6
58	WHEEL ASSEMBLY	82535A	1	5 & 6
59	BUSHING	K00674	2	5 & 6
60	AXLE, WHEEL	D02398	1	5 & 6
61	MUFFLER KIT	81331A	1	5 & 6

## PARTS LIST

Item	Description	Part No.	qty	fig
63	VACUUM MOTOR MOUNTING ASSEMBLY	82291A	1	5 & 6
64	LOOM, CORRUGATED	F00463	1	5 & 6
65	VACUUM MOTOR	02522LA	1	5 & 6
70	BUSHING, 1/8 MP x 1/4 C	A00125	1	5
71	90 ELBOW, 1/8 MP x 1/4 C	A00132	1	5 & 6
72	SOLENOID, 1/8 NPT (115V)	G02536	1	5 & 6
	SOLENOID, 1/8 NPT (220V)	G02537	1	5 & 6
73	BRANCH TEE, MALE 1/8 NPT	A00152	1	5 & 6
74	NIPPLE, SHORT, 1/8 NPT	A00055	1	5 & 6
75	BUSHING, REDUCER, 3/8 NPT (50 PSI)	A00168-1	1	5 & 6
	BUSHING, REDUCER, 1/4 NPT (100 PSI)	A00168-18	1	5 & 6
76	90 ELBOW, 3/8 MP x 1/4 C (50 PSI)	A00133	1	5 & 6
77	90 ELBOW, 1/4 MP x 1/4 C (100 PSI)	A00140	1	5 & 6
78	NUT, HEX	A00124	2	5 & 6
80	SHAFT ASSEMBLY, HANDLE	804186A	1	5 & 6
81	TUBE, SOLENOID TO R SPRAY TIP (17")	A00085-9	1	5 & 6
82	TUBE, SOLENOID TO SPRAY TIP (14")	A00085-12	1	5 & 6
83	TUBE, PUMP TO ACCESSORY LINE	A00085-10	1	5 & 6
84	TUBE, PUMP TO SOLUTION INTAKE LINE	A00085-11	1	5 & 6
85	SPACER, 3/16 THK, 1/2 ID, 1" OD	C00240	3	5 & 6
86	GASKET, VACUUM MOTOR	E02448	1	5 & 6
87	BRACKET, BRUSH DRIVE MOTOR	D02370	1	2 & 3
88	PUMP, INTERNAL BYPASS, 115V, 50 PSI	00512A	1	5 & 6
	PUMP, INTERNAL BYPASS, 220V, 50 PSI	025141A	1	5 & 6
	PUMP, 115V, 100PSI	02513F-100A	1	5 & 6
89	LOWER FRAME ASSEMBLY	82359A	1	5 & 6
90	ADAPTER, 3/8 BARB x 1/4 FP	A00061	A	5 & 6
91	90 ELBOW, 1/4 FP x 1/4 MP	A00052	1	5 & 6
92	FILTER STRAINER, IN-LINE	K00709	1	5 & 6
	SCREEN, IN-LINE STRAINER	K00709-1	1	5 & 6
	CAP, IN-LINE STRAINER	K00709-2	1	5 & 6
93	QUICK DISCONNECT, 1/4 FP x 1/4 FP	A00102	1	5 & 6
4	SWITCH GUARD ASSEMBLY	82414A	1	7
95	COVER, ROCKER SWITCH	B00214-2	3	7
96	SWITCH, LIGHTED, ROCKER	B02211-1	3	7

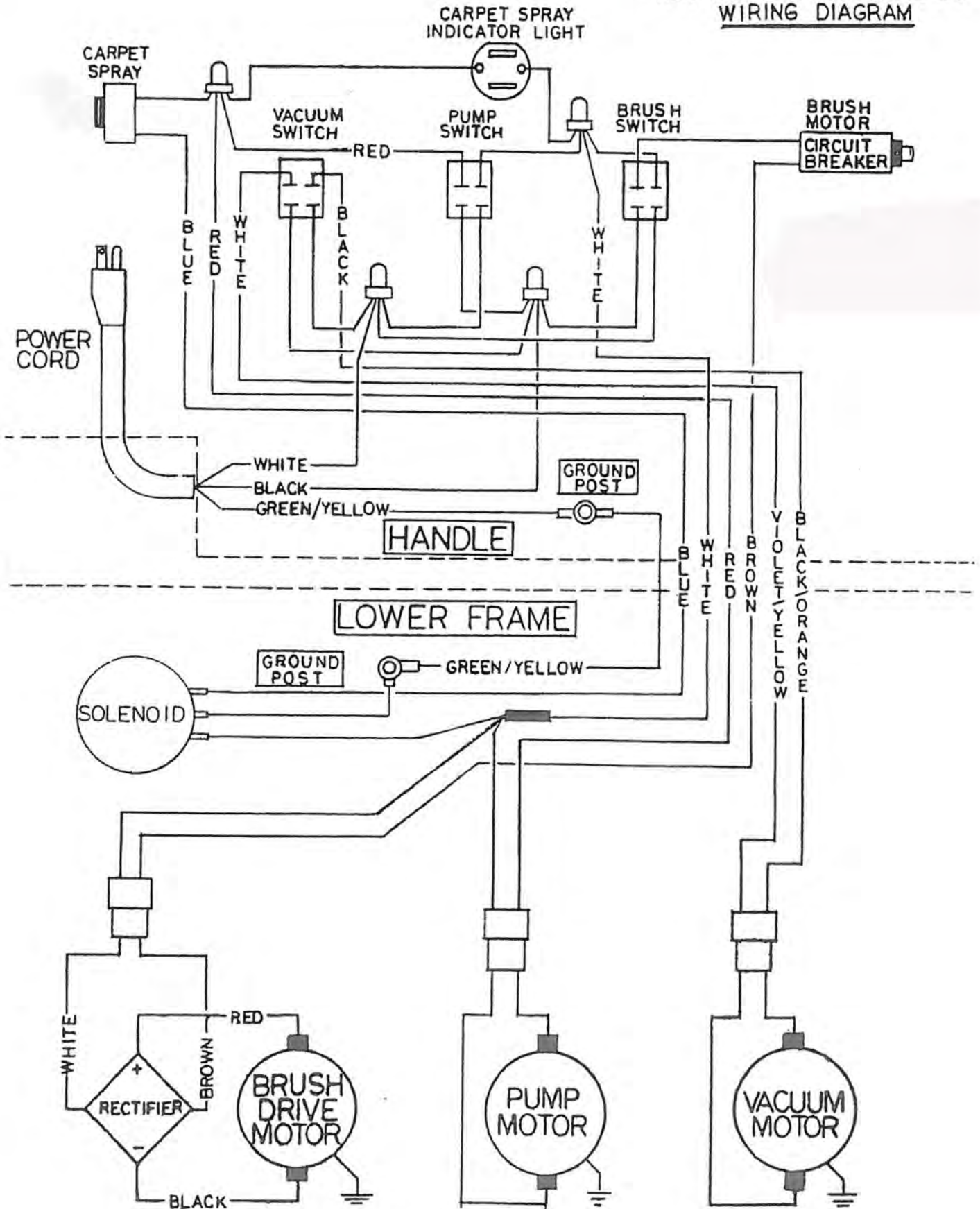
## PARTS LIST

Item	Description	Part No.	qty	fig
97	LIGHT, INDICATOR, GREEN LENS	B02196	1	7
98	GRIP, HANDLE, BLACK	K00715B-1	2	7
99	BOOT, FLEX, CIRCUIT BREAKER	B02193	1	7
	BOOT, FLEX, CIRCUIT BREAKER (TUV)	B02193	2	7
100	SPRING, BRACKET, VACUUM VALVE, ASSEMBLY		1	4
101	SPRING, VACUUM VALVE SLIDE RETURN		2	4
102	HANDLE, ADJUSTABLE	D02403	1	7
103	SHAFT, VACUUM VALVE		1	4
104	CIRCUIT BREAKER, 3 A	B02192	1	7
	CIRCUIT BREAKER, 4 A		1	7
	CIRCUIT BREAKER, 1.5 A (TUV)	B02191	1	7
105	OUTLET ASSY, ACCESSORY (OPTIONAL)	80188A	1	7
	OUTLET ASSY, ACCESSORY (250V TUV)(OPTIONAL)	80198A	1	7
106	CORD WRAP ASSEMBLY	82408A	1	7
107	CORD ASSEMBLY, HANDLE TO LOWER FRAME	00185-28A	1	5,6,7
108	GASKET, HANDLE	E03432	1	7
109	COVER PLATE ASSEMBLY	82409A	1	7
110	LOCK NUT (115VAC)	B02214	1	7
	LOCK NUT (250VAC)	B02214	1	7
111	CORD, POWER (115VAC) 50 FT POWER CORD PIGTAIL	<b>B11769</b> <b>B11779</b>	1	7
112	SWITCH, 10 A, 250VAC		2	7
113	STRAIN RELIEF, POWER CORD (115VAC)	B02215	1	7
	STRAIN RELIEF, POWER CORD (250VAC)	B02215	1	7
114	BUMPER, VACUUM VALVE		2	4
115	SPRING AND BALL KIT		1	4
116	RECTIFIER	<b>M00843-1</b>	1	
119	RFI FILTER ASSEMBLY, 2A 250VAC		1	5 & 6
120	HARNESS, RECTIFIER		1	2 & 3
121	MOUNTING BOARD	802171A	1	2 & 3
122	CLAMP, 2 1/8 x 2 3/8		2	3



# TPL-7-100-SCE-TC

## 115V AND 230V AC 50/60 HZ WIRING DIAGRAM



# Trusted Clean

**NOTES**

**1-888-722-5508**  
**CLEANFREAK.COM**