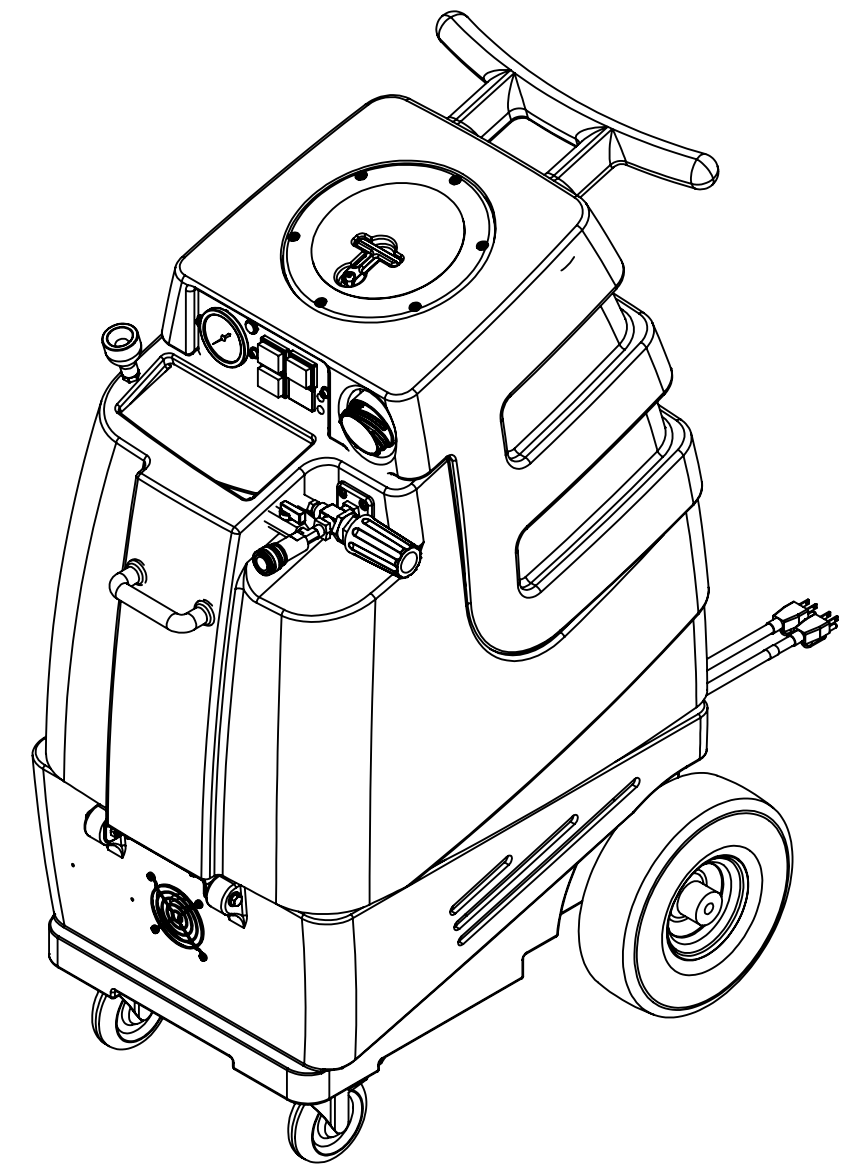


| ITEM NO. | PART NO. | DESCRIPTION  | QTY. |
|----------|----------|--|------|
| 1        | H296     | guard, cooling fan, wire                                     | 2    |
| 2        | H304     | screw, 8 x 5/8", phil oval, s/s                              | 14   |
| 3        | H378     | bracket, front hinge, sp/fb                                  | 1    |
| 4        | H210     | washer, 1/4" flat, s/s                                       | 28   |
| 5        | H213     | washer, 1/4" lock, s/s                                       | 7    |
| 6        | H201     | bolt, 1/4-20 x 1/2", hex head, zinc                          | 2    |
| 7        | H216     | nut, lock, 1/4-20, nylon insert, s/s                         | 14   |
| 8        | H316     | bolt, 1/4x1-1/2", hex head zinc                              | 2    |
| 9        | H342     | bolt, 1/4-20 x 1" hex head, s/s                              | 8    |
| 10       | H668     | caster, 4", black hub & gray tread                           | 2    |
| 11       | P731     | base   | 1    |
| 12       | H371     | axle, 18.03" x .50" dia                                      | 1    |
| 13       | H254     | washer, axle, cut 1/2" id                                    | 8    |
| 14       | H109     | wheel, 10", foam filled                                      | 2    |
| 15       | H042     | c-clip, 12mm, external                                       | 2    |
| 16       | H876     | washer, 1/2 flat, s/s  | 4    |
| 17       | E550     | power cord, male end, blue lit, 25', 12/3, sjtw solid jacket | 2    |
| 18       | H220     | fitting, strain relief, cord                                 | 2    |
| 19       | H221     | nut, lock, 1/2" steel, electrical                            | 2    |
| 20       | H912     | bracket, rear, fb/spy  | 1    |
| 21       | H307     | washer, star, 1/4" steel zinc                                | 2    |
| 22       | H770     | bolt, 1/4-20 x 1/2" serrated hex flange, zinc                | 8    |
| 23       | H230     | screw, 10-32 x 1/2" phil pan head, s/s                       | 2    |
| 24       | E632     | relay, shut-off switch, mechanical float, 115v               | 1    |
| 25       | H202     | bolt, 1/4-20x3/4" hex head                                   | 4    |
| 26       | B246     | plug, brass, 3/8" mpt, hex                                   | 1    |
| 27       | B186     | elbow, 90 deg street, 3/8"mpt x 3/8" fmpt                    | 2    |
| 28       | B105     | bushing, brass, 3/8"mpt x 1/4"                               | 1    |
| 29       | B260A    | quick disconnect, 1/4" mqd x mpt, open-spray                 | 2    |
| 30       | B259A    | qd, brass, 1/4" fqd x fpt                                    | 2    |
| 31       | B644     | barb, 1/2" barb x 1/4" mpt                                   | 1    |
| 32       | PH615-37 | sol hose, 1/2" kuri, 100 psi                                 | 1    |
| 33       | B173     | ferrule, 1/2", brass   | 2    |
| 34       | B160     | adapter, brass, 1/2" barb x 3/8" fsw, ball end               | 1    |
| 35       | B652     | elbow, 90 deg, 3/8"mpt x 1/4"mpt                             | 1    |
| 36       | B107     | nipple, hex, 1/4"mpt x 1/4"mpt                               | 3    |
| 37       | B643     | adapter, 3/8" fpt x 1/4" mpt                                 | 1    |
| 38       | B113     | tee, 1/4" fpt x 1/4" fpt x 1/4" fpt                          | 1    |
| 39       | AH184    | hose, pulse BLK 49"(OAL), 1/4"fswl x 1/4"fswl                | 1    |
| 40       | C313A    | pump, 50-500 PSI, CAT, 120/230v                              | 1    |
| 41       | H768     | bolt, 1/4-20 x 3/4" serrated hex flange, zinc                | 2    |
| 42       | H211     | washer, 1/4" id x 1" od, flat, s/s                           | 6    |
| 43       | G052     | washer, buna 1-1/8" od x 3/16" id                            | 6    |
| 44       | H485     | handle, aluminum grip, black                                 | 1    |
| 45       | PH612-36 | clear tubing, 1/2" OD x 3/8" ID, faucet fill                 | 1    |
| 46       | B241     | adapter, brass, 3/8" barb x 1/4"mpt                          | 1    |
| 47       | H178     | faucet fill  | 1    |
| 48       | G018     | cover, sol tank (sp)   | 1    |
| 49       | P732     | sol tank, speedster  | 1    |
| 50       | H124V    | Cuff-Lynx, 2" fem cuff x 2" male thread starter cuff, vinyl  | 2    |
| 51       | PH634-20 | sol hose, 1/4", 300 PSI                                      | 1    |
| 52       | B109     | barb, 1/4" barb x 1/4" mpt                                   | 2    |
| 53       | H256     | screw, 10-32 x 3/4" phil pan head, zinc                      | 4    |
| 54       | H484     | plate, mounting, QD  | 1    |
| 55       | AH203    | sol hose, pulse, 3/8" x 35", 1/4"fsw x 1/4"mpt               | 1    |
| 56       | C313C    | regulator, 450 psi, silver spring                            | 1    |
| 57       | B135     | tee, 1/4" mpt x 1/4" mpt x 1/4" mpt                          | 1    |
| 58       | B102     | quick disconnect, 1/4" fqd x 1/4" fpt                        | 1    |
| 59       | B656     | valve, ball, 1/4" fpt x 1/4" fpt, s/s                        | 1    |
| 60       | B170     | ferrule, 1/4" brass  | 2    |
| 61       | PH634-36 | sol hose, 1/4", 300 PSI                                      | 1    |
| 62       | B216     | nipple, close, 3/8" x 3/8" mpt                               | 1    |

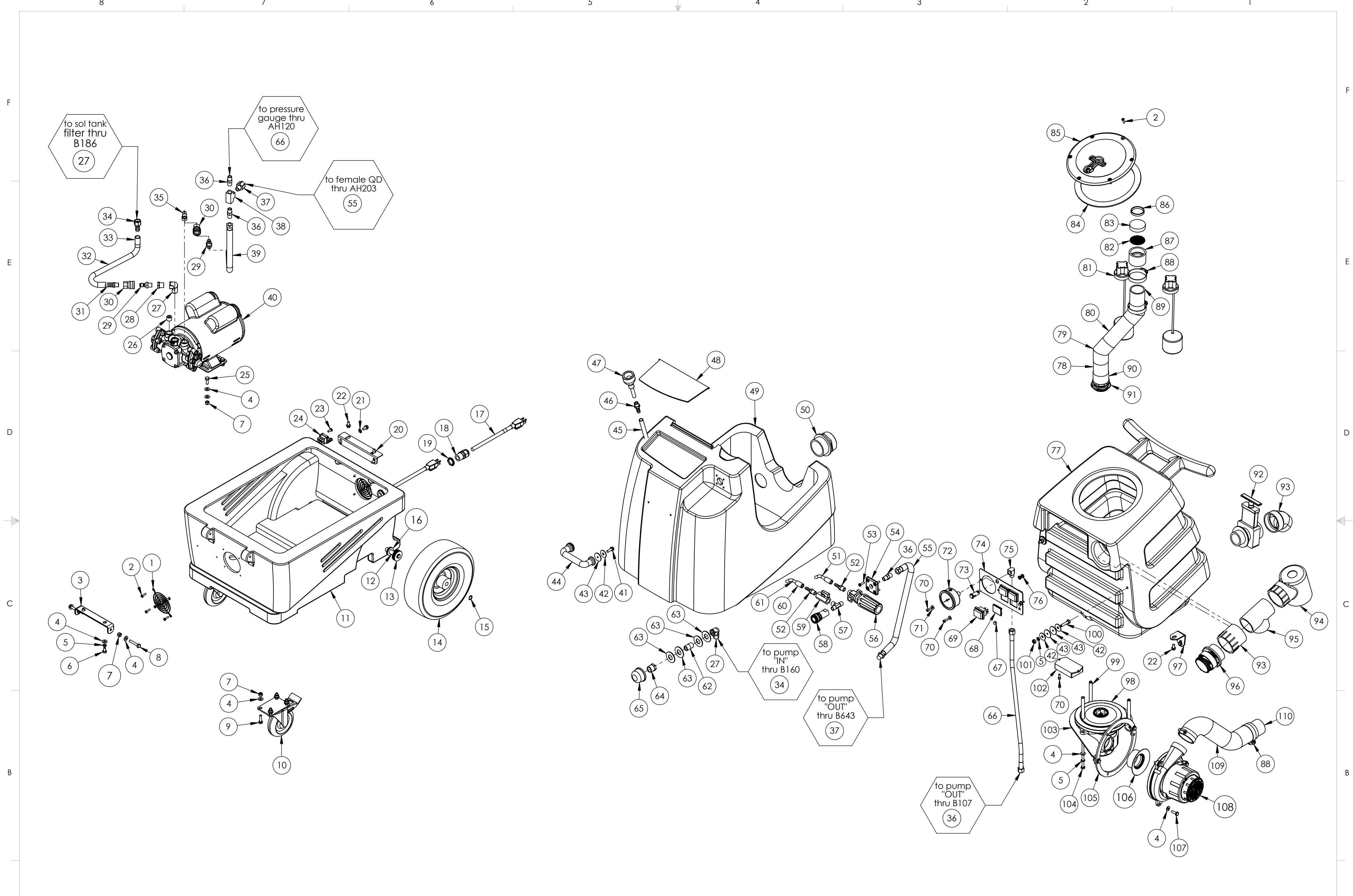
| ITEM NO. | PART NO. | DESCRIPTION  | QTY. |
|----------|----------|--|------|
| 63       | H299     | washer, 25/32" (0.78) id x 1-1/2"od x .075, s/s              | 4    |
| 64       | B210     | bushing, hex, 1/2"mpt x 3/8" fpt                             | 1    |
| 65       | B119A    | filter, strainer, 1/2" fpt                                   | 1    |
| 66       | AH120    | sol hose, 1/4" x 24 1/2", (OAL), f x fsw, 3000psi            | 1    |
| 67       | H422     | plug, dome 3/8", black                                       | 2    |
| 68       | P967A    | plug, switch   | 1    |
| 69       | E515     | switch, rocker, 2 position                                   | 3    |
| 70       | H389     | screw, 10-32 x 1/2" SHCS, alloy                              | 4    |
| 71       | H612     | Washer, #8, flat regular                                     | 3    |
| 72       | H308D    | gauge, pressure, 2000 PSI                                    | 1    |
| 73       | E512B    | light, indicator, blue                                       | 1    |
| 74       | H337     | plate, switch, 1003DX, 1005DX                                | 1    |
| 75       | B103     | elbow, 90 deg street, 1/4"mpt x 1/4" fpt                     | 1    |
| 76       | H273     | nut, kep, #10-32 zinc  | 2    |
| 77       | P733     | vac tank, speedster  | 1    |
| 78       | PH633-4  | pipe, pvc, 1-1/2"  | 1    |
| 79       | P503     | adapter, 1.5" pvc, 45 deg, fslip                             | 2    |
| 80       | PH633-06 | pipe, pvc, 1-1/2"  | 1    |
| 81       | E400     | switch, mechanical float, for pumpout                        | 2    |
| 82       | G097     | filter, screen mesh, 1.90" dia                               | 1    |
| 83       | G003     | filter, foam, 2", vac stack, 1/2"                            | 1    |
| 84       | G091     | gasket, 7", vac lid  | 1    |
| 85       | G090     | lid, vac tank, clear, 7"                                     | 1    |
| 86       | PH633-1  | pipe, pvc, 1-1/2"  | 1    |
| 87       | P502     | adapter, 1.5" pvc, fslip x fslip                             | 1    |
| 88       | H217     | clamp, hose, 2-1/4 dia                                       | 4    |
| 89       | PH633-03 | pipe, pvc, 1-1/2"  | 1    |
| 90       | P520     | adapter, 1.5" mpt pvc  | 1    |
| 91       | H314     | nut, lock, 1-1/2", steel                                     | 1    |
| 92       | H225     | valve, drain, 1-1/2"   | 1    |
| 93       | H226     | spout, drain, 45 degree                                      | 1    |
| 94       | A926     | elbow, inlet assembly 2"                                     | 1    |
| 95       | P565     | t, pvc, 2"   | 1    |
| 96       | H135V    | Cuff-Lynx, 2" male cuff x 2" male thread starter cuff, vinyl | 1    |
| 97       | H390A    | bracket, "L", 2" x 2"  | 2    |
| 98       | C347     | vac motor, lx, hybrid, 173 cfm, 120v                         | 1    |
| 99       | H503     | vac support, 3 stage, 3.25", no thrds                        | 3    |
| 100      | H203     | bolt, 1/4-20 x 1-1/4"  | 2    |
| 101      | H215     | nut, hex, 1/4-20 s/s   | 2    |
| 102      | E564     | controller, circuit light, audible                           | 1    |
| 103      | H469-A   | bracket, vac motor, 6.6", u-shape                            | 1    |
| 104      | H096     | bolt, hex, 1/4-20 x 4", zinc finish                          | 3    |
| 105      | H469-B   | bracket, vac motor, 6.6", round                              | 1    |
| 106      | G100     | gasket, air series manifold                                  | 1    |
| 107      | H202     | bolt, 1/4-20 x 3/4" hex head, s/s                            | 5    |
| 108      | C348     | vac motor, lx, hybrid, w/inlet tube, 173 cfm, 120v           | 1    |
| 109      | PH628-24 | vac hose, 2" wire reinforced, gray                           | 1    |
| 110      | H194     | coupler, 2" dia x 2.5" length, s/s                           | 1    |

**ITEMS NOT SHOWN**

| PART NO.       | DESCRIPTION                                  | QTY. |
|----------------|--|------|
| A995           | harness, electrical                          | 1    |
| G008           | piglet filet                                 | 1    |
| H375           | hanger, wire formed, hose                    | 1    |
| H230           | screw, 10-32 x 1/2" phil pan head, s/s       | 2    |
| H141           | Cuff-Lynx, 2" to 1.5" reducer                | 1    |
| E530           | power cord, ext 50', 12/3 black              | 2    |
| H110           | Cuff-Lynx, 2" hose x 2" fem swivel Cuff-Lynx | 1    |
| P568A          | cord lock, s-type                            | 2    |
| ADM-SPEEDSTERS | manual, speedsters                           | 1    |



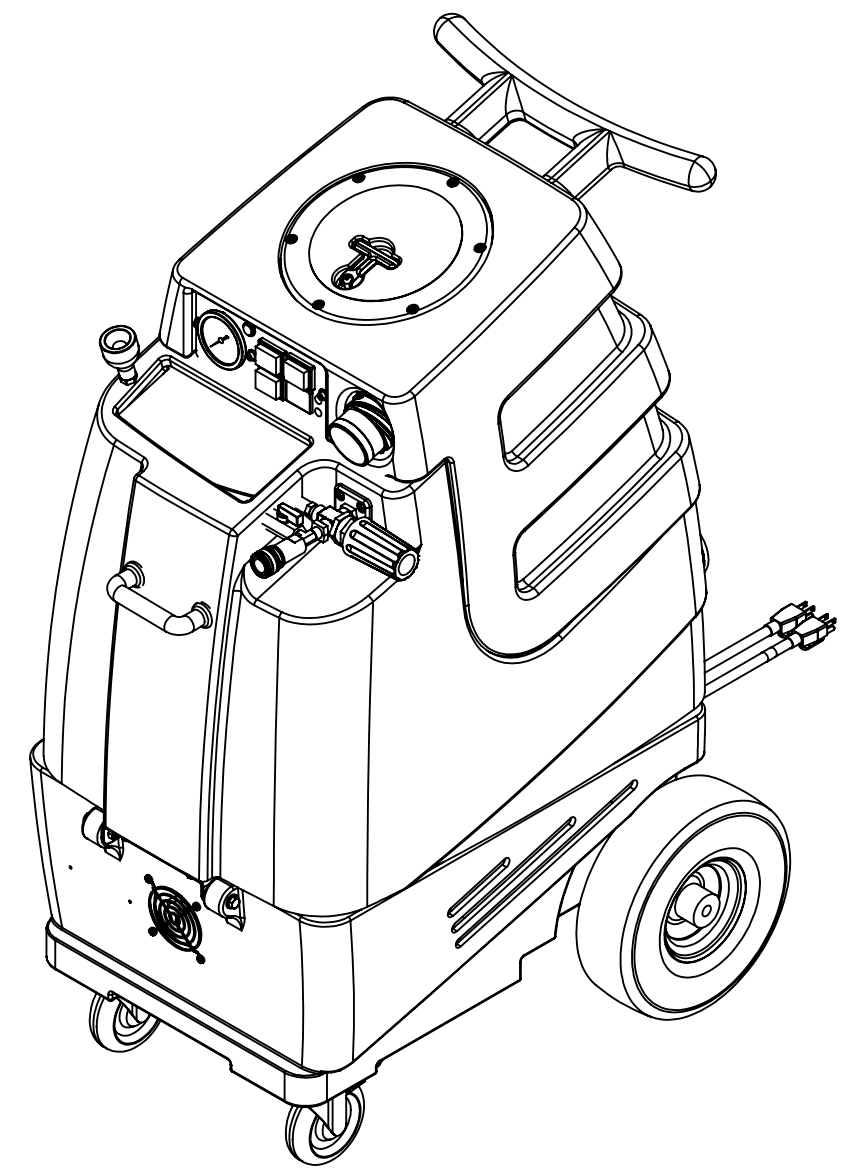
|   |   |   |
|---|---|---|
| NAME  | DATE                                    | <b>MYTEE PRODUCTS, INC.</b><br><small>858-679-1191</small>        |
| DRAWN M.LaBarbera   | 12/2017                                 |   |
| CHECKED   |   | TITLE:  |
|   |   | <b>speedster</b>  |
| <small>PROPRIETARY AND CONFIDENTIAL</small><br><small>THE INFORMATION CONTAINED IN THIS DRAWING IS THE SOLE PROPERTY OF MYTEE PRODUCTS, INC. ANY REPRODUCTION IN PART OR AS A WHOLE WITHOUT THE WRITTEN PERMISSION OF MYTEE PRODUCTS, INC. IS PROHIBITED.</small> | SIZE DWG. NO. REV<br><b>C 1005LX OD</b> | SCALE: 1:8<br><small>DO NOT SCALE DRAWING</small><br>SHEET 1 OF 3 |



|   |             |         |                                      |              |
|---|-------------|---------|--------------------------------------|--------------|
|   | NAME        | DATE    | MYTEE PRODUCTS, INC.<br>858-679-1191 |              |
| DRAWN   | M.LaBarbera | 12/2017 | TITLE:                               |              |
| CHECKED   |             |         | speedster                            |              |
| <small>PROPRIETARY AND CONFIDENTIAL<br/>THE INFORMATION CONTAINED IN THIS DRAWING IS THE SOLE PROPERTY OF MYTEE PRODUCTS, INC. ANY REPRODUCTION IN PART OR AS A WHOLE WITHOUT THE WRITTEN PERMISSION OF MYTEE PRODUCTS, INC. IS PROHIBITED.</small> |             |         | SIZE DWG. NO.                        | REV          |
|   |             |         | <b>C</b> 1005LX                      | <b>0D</b>    |
| SCALE: 1:8  |             |         | DO NOT SCALE DRAWING                 | SHEET 2 OF 3 |

**REVISIONS**

| REV. | DESCRIPTION    | DATE    | APPROVED |
|------|----------------|---------|----------|
| OD   | ORIGINAL DRAFT | 12/2017 | JFL      |



|   |             |         |                             |                      |              |  |
|---|-------------|---------|-----------------------------|----------------------|--------------|--|
|   | NAME        | DATE    | <b>MYTEE PRODUCTS, INC.</b> |                      |              |  |
| DRAWN   | M.LaBarbera | 12/2017 | 858-679-1191                |                      |              |  |
| CHECKED   |             |         | TITLE:                      |                      |              |  |
| <p><b>PROPRIETARY AND CONFIDENTIAL</b><br/>         THE INFORMATION CONTAINED IN THIS DRAWING IS THE SOLE PROPERTY OF MYTEE PRODUCTS, INC. ANY REPRODUCTION IN PART OR AS A WHOLE WITHOUT THE WRITTEN PERMISSION OF MYTEE PRODUCTS, INC. IS PROHIBITED.</p> |             |         | <b>speedster</b>            |                      |              |  |
|   |             |         | SIZE                        | DWG. NO.             | REV          |  |
|   |             |         | <b>C</b>                    | <b>1005LX</b>        | <b>OD</b>    |  |
|   |             |         | SCALE: 1:8                  | DO NOT SCALE DRAWING | SHEET 3 OF 3 |  |