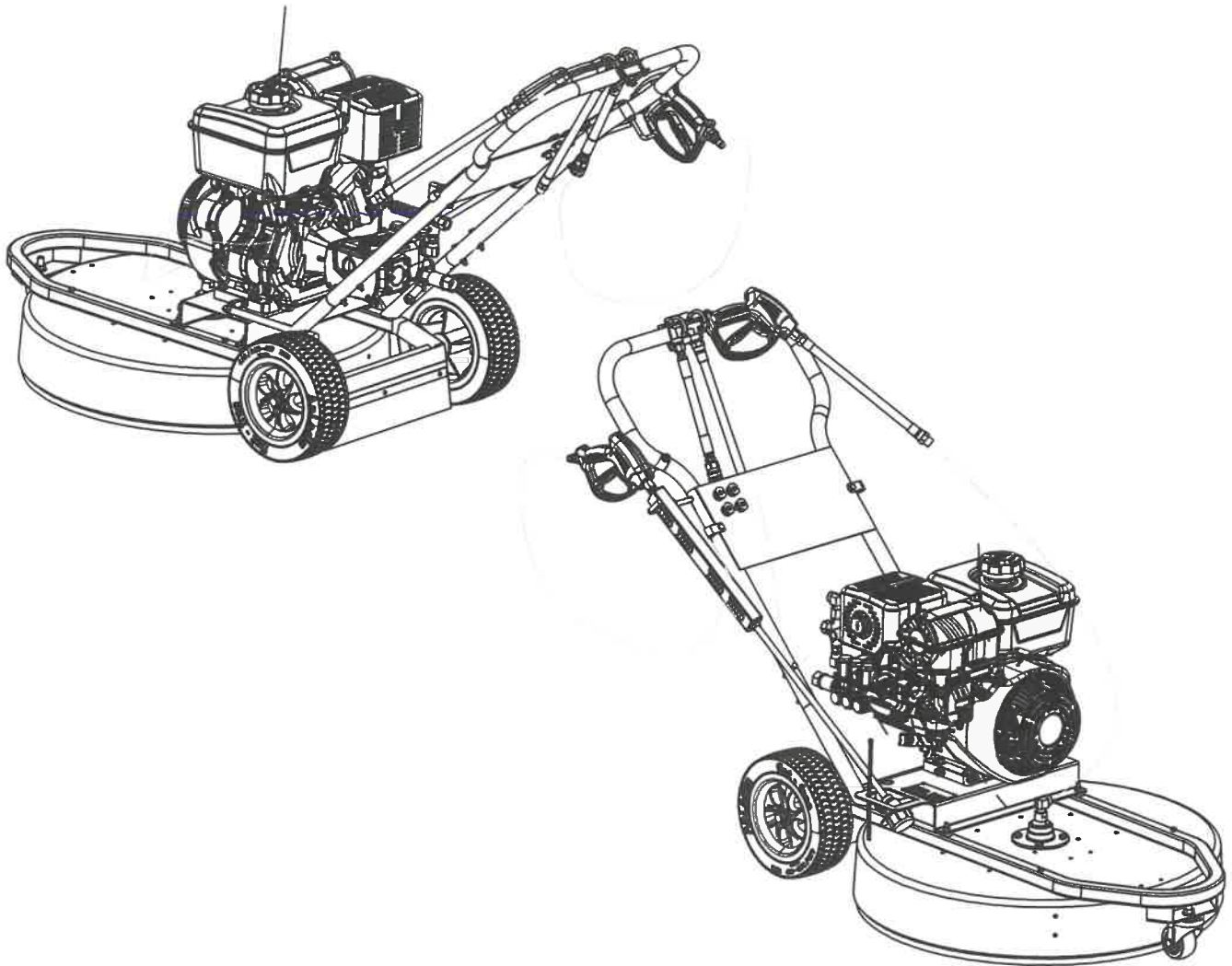


ITEM	NUMBER	DESCRIPTION	QTY.
1	03-242044	CAP PLUG PBH-2000	1
2	06-400040-1	WASH JET 0004	1
3	06-415040-1	WASH JET 1504	1
4	06-425040-1	WASH JET 2504	1
5	06-440040-1	WASH JET 4004	1
6	DSE-5400	DRIVE ASS'Y, 30" PRESSURE MOWER	1
7	ESE-5400	HANDLE AND GUN ASS'Y, PM30	1
8	ESE-540i	DECK ASS'Y, PM30	1



DESCRIPTION:
PM30-14

DESCRIPTION 2:
PRESSURE MOWER

DRAW #:
ASE-0038

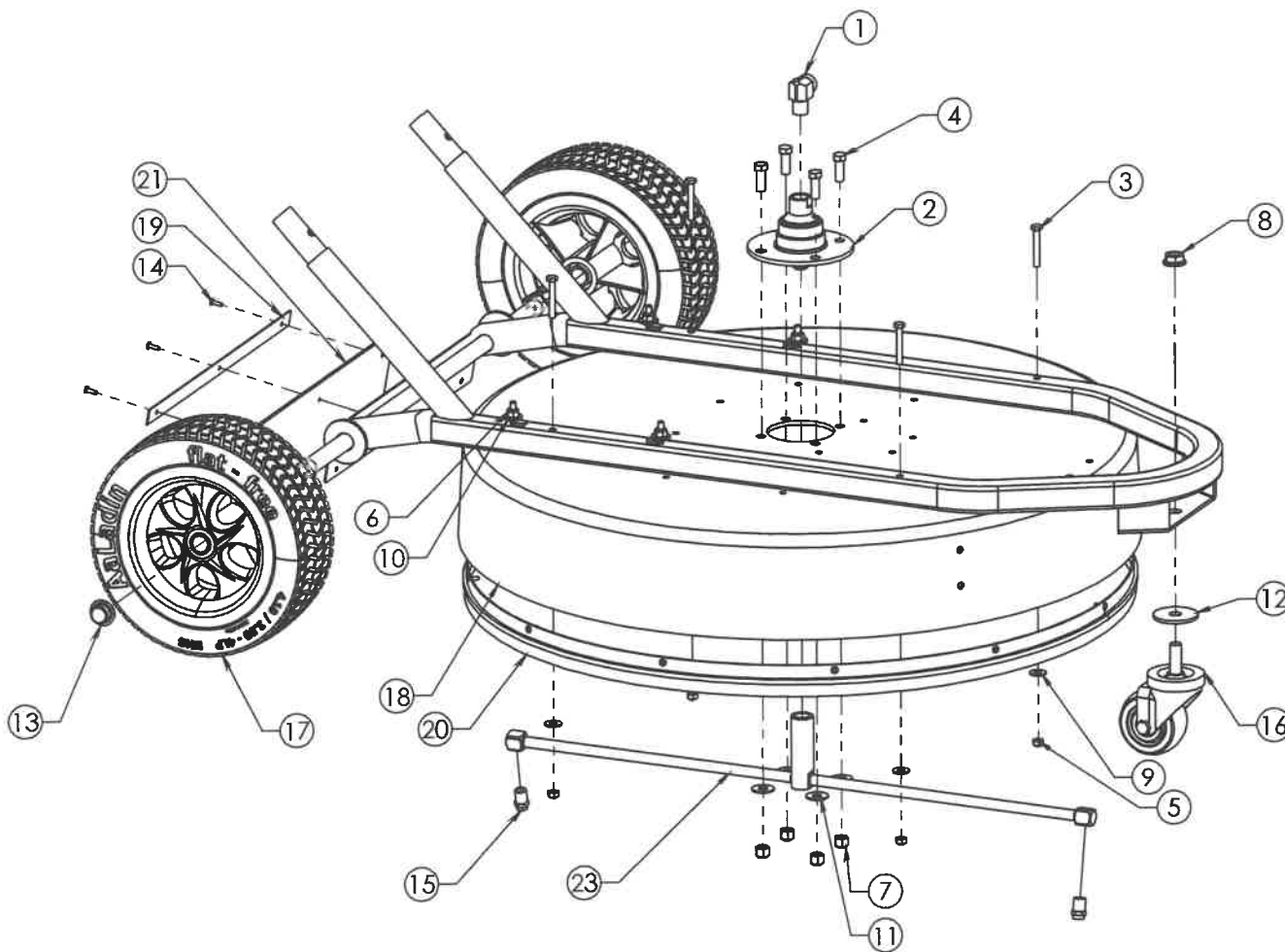
REV.	DESCRIPTION	ECR/ECN	DATE	BY
A	SHOWING CHANGES FROM PROTOTYPE BUILD		1/13/2023	BH

REVISIONS

DRAWN BY: BH
DATE: 11/22/2022

ITEM	NUMBER	DESCRIPTION	QTY.
1	01-131204	ELBOW, ST. 3/8" X 90° HD	1
2	01-171608_	TALON 4 SWIVEL	1
3	02-111500	CAPSCREW: 1/4-20 X 1 3/4 ZINC PLATED	4
4	02-131200	CAP SCREW: 3/8"-16 x 1"	4
5	02-301130	NUT, HEX: NYLK 1/4"-20 ZINC	4
6	02-301230	HEXNUT: NYLK 5/16-18 ZINC	4
7	02-301331	HEX NUT - NYLK 3/8-16	4
8	02-301400	NUT, 1/2", SERRATED WHIZLOCK	1
9	02-501100	WASHER: 1/4", FLAT, ZINC	4
10	02-501200	WASHER, 5/16" FLAT, ZINC	4

ITEM	NUMBER	DESCRIPTION	QTY.
11	02-501300	WASHER: 3/8" FLAT, ZINC	4
12	02-503001	WASHER, 1/2" X 2", EXTRA THICK	1
13	02-521203	PUSH CAP NUT 3/4" - AXLE CAP	2
14	02-522200	POP RIVET	3
15	06-100420	WASH JET #2502 1/4" MEG	2
16	12-101200	CASTER	1
17	12-152000	TIRE/WHEEL 10" X 3.5" X 4" FLAT FREE/CHROME	2
18	23-101500	SPINNER DECK	1
19	BSE-0057	24" EDGE STRIP	1
20	BSE-0082	SKIRT KIT (BRUSH 30")	1
21	BSE-0088	PLASTIC BLADE	1
22	BSE-6246-8	FRAME WELD'T, 30" PRESSURE MOWER	1
23	ENH-0006	SPINNER PART 30" TALON, 4 3/4" DECK	1



REV.	DESCRIPTION	ECR/ECN	DATE	BY
D	ADDED BSE-0082 PER REQUEST		6/29/2023	BH
C	ADDED 02-503001 PER CUSTOMER REQUEST		3/28/2023	BH
B	ADDED HARDWARE TO MOUNT DRIVE ASSEMBLY		3/20/2023	BH
A	06-100420 WAS 06-100510; CHANGED PER CUSTOMER REQUEST		3/17/2023	BH

REVISIONS

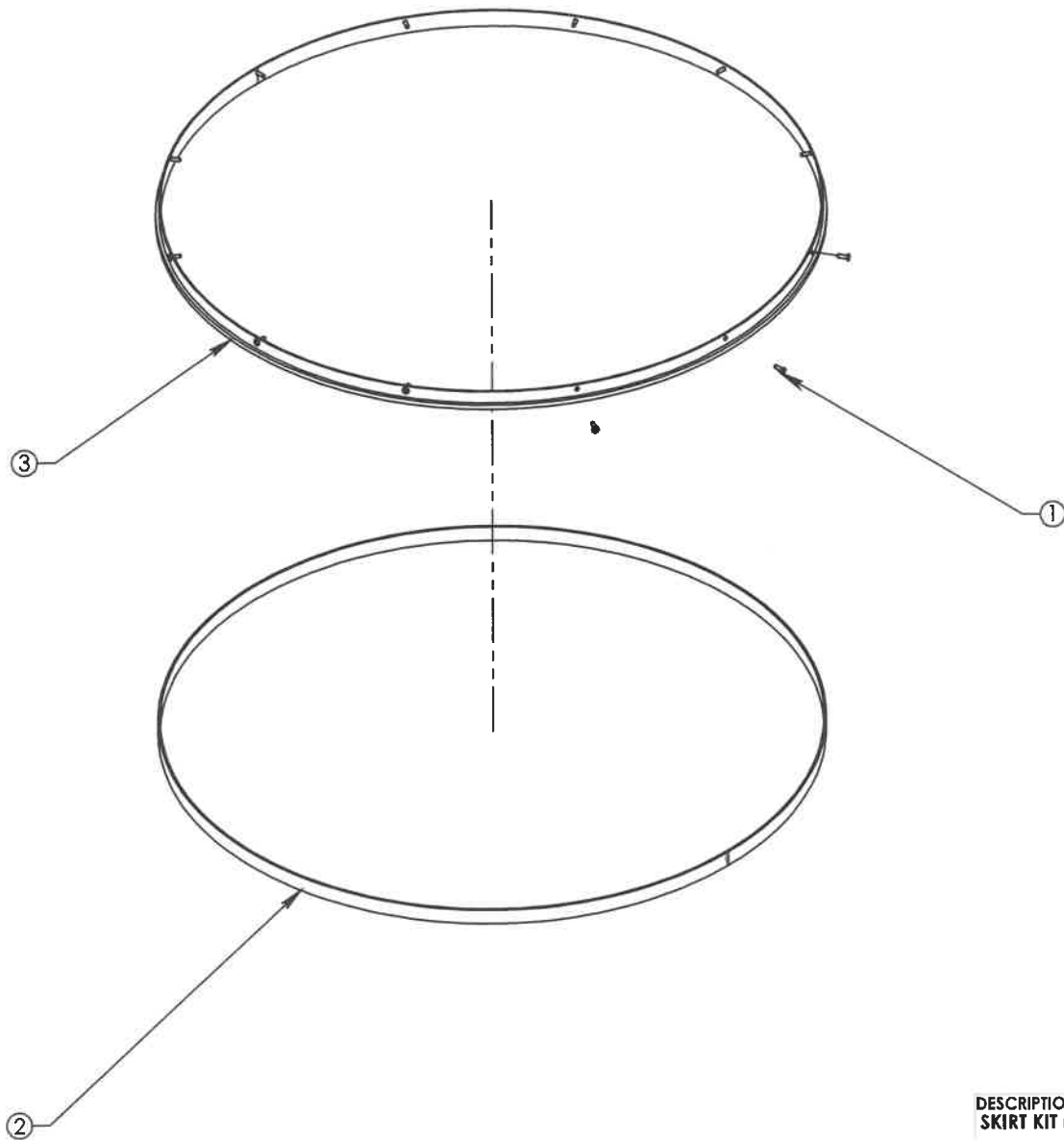
DESCRIPTION:
DECK ASSY, PM30

DESCRIPTION 2:

DRAWN BY: BH
DATE: 11/22/2022

DRAW #: ESE-5401

ITEM	NUMBER	DESCRIPTION	QTY.
1	02-522200	POP RIVET	12
2	03-320006	BRUSH STRIP 95 3/4" LENGTH	1
3	03-320008	BRUSH HOLDER	1



DESCRIPTION:
SKIRT KIT (BRUSH 30")

DESCRIPTION 2:

DRAWN BY:
NS
DATE:
6/22/2015

DRAW #:
BSE-0082