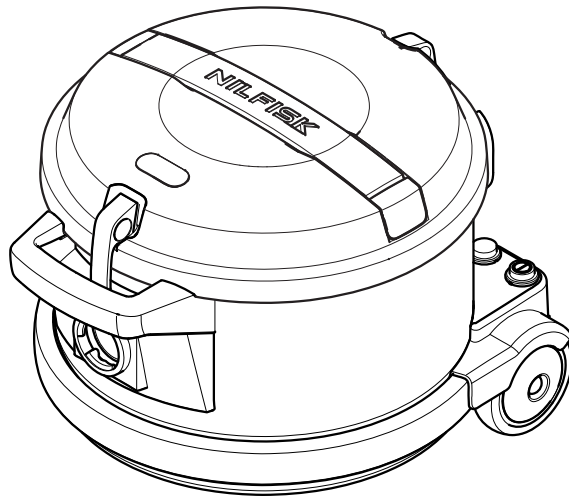


SPARE PARTS

**GD930**



**NILFISK**

# GD930

**Nilfisk Model Numbers:**

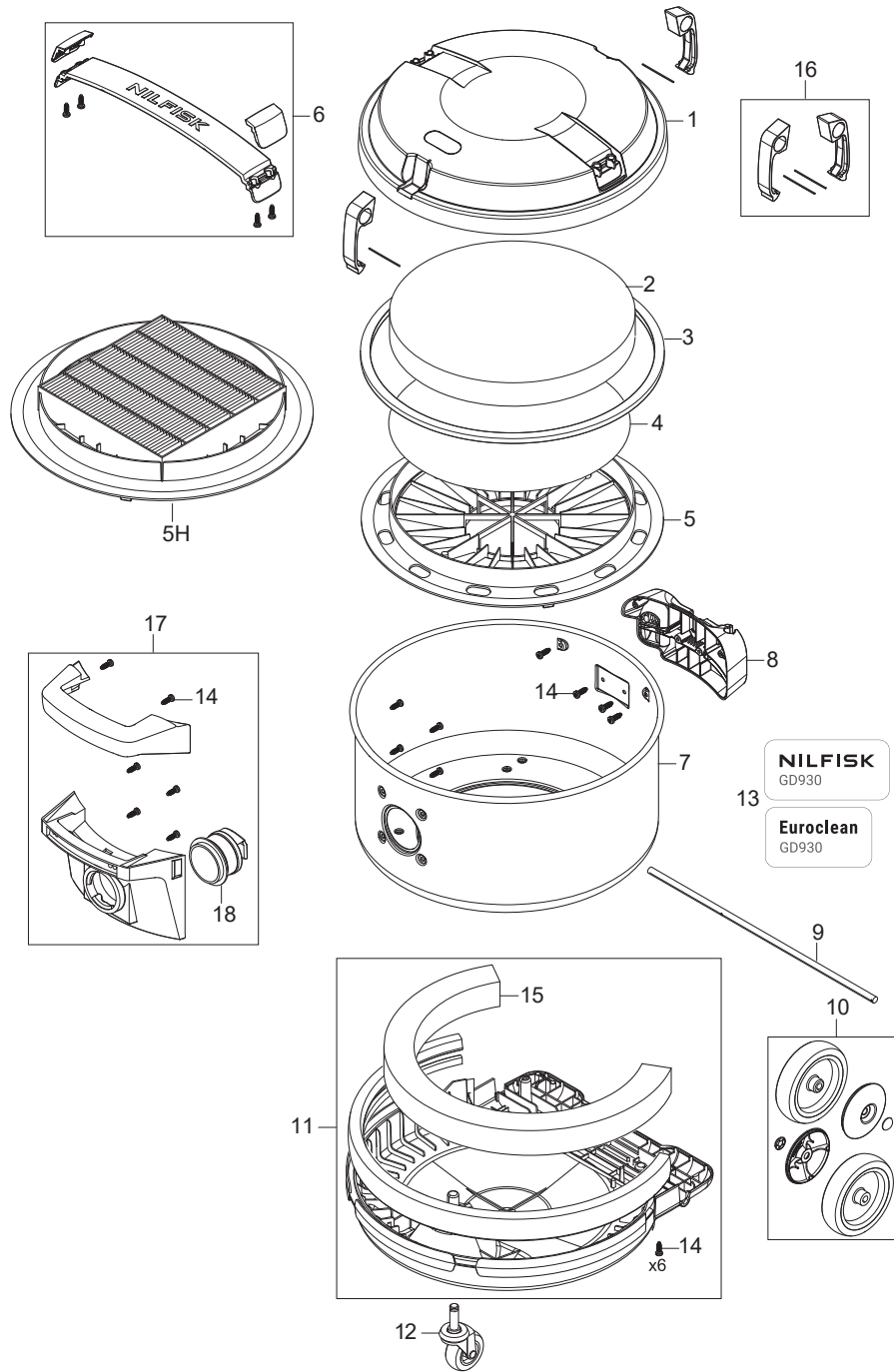
107420770	GD930 PRO HEPA 120V US/CA
107420777	GD930 PRO 120V US/CA
107420778	GD930 PRO HSP HEPA 120V US/CA

07/2023 Form No. 107420636 REV A

# TABLE OF CONTENTS

---

Top and Container.....	1
Motor, filter and electric.....	3
Accessories.....	5



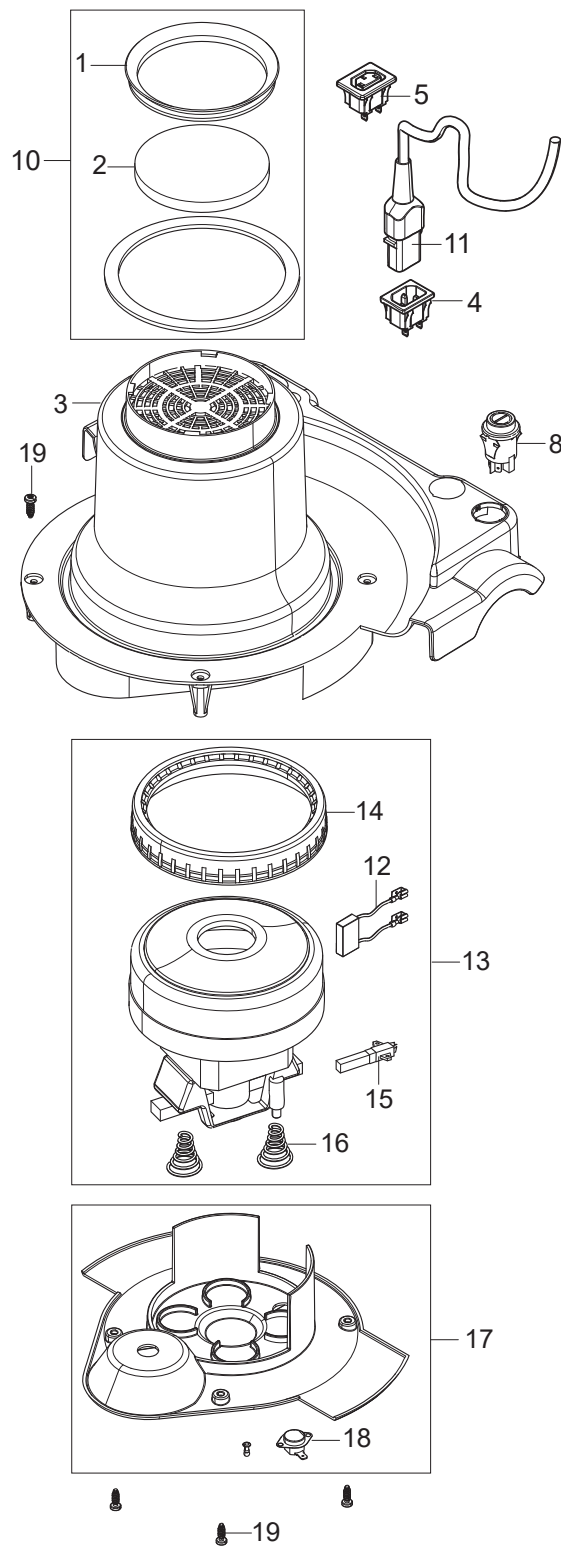
# TOP AND CONTAINER

107420636\_GD930 US

2023.05.09

2023.05.17

No.	Part No.	Qty.	Description	Part Note
1	107420867	1	LID BLACK	
1	107420868	1	LID BLUE	
2	140 1515 500	1	FILTER MAIN FOAM GD930	
3	140 0061 030	1	GASKET	
4	140 3260 500	1	FILTER 5.PCS	
5	140 2911 000	1	FILTER CASING	
5H	140 2666 010	1	HEPA FILTER	
6	107420877	1	BELT BLACK KIT	
6	107420878	1	BELT BLUE KIT	
7	107420869	1	CONTAINER CHROMED	
8	107420870	1	SUPPORT BLACK	
9	140 5059 000	1	SHAFT L 369MM DIAM. 8MM	
10	140 5055 500	1	WHEEL REAR 2-P 930-SERIES	
11	107420871	1	PRO BOTTOM PLATE BLACK	
12	140 7025 500	1	WHEEL FRONT 1-P	
13	107420872	1	LABEL NILFISK GD930 PRO	
13	107420873	1	LABEL EUROCLEAN GD930 PRO	
14	140 9214 070	10	SCREW PTK 50X14	
15	140 7022 500	1	MUFFLER STRIP	
16	107420874	1	LATCHES KIT	
17	140 7800 500	1	HANDLE KIT	
18	140 7013 000	1	INLET	



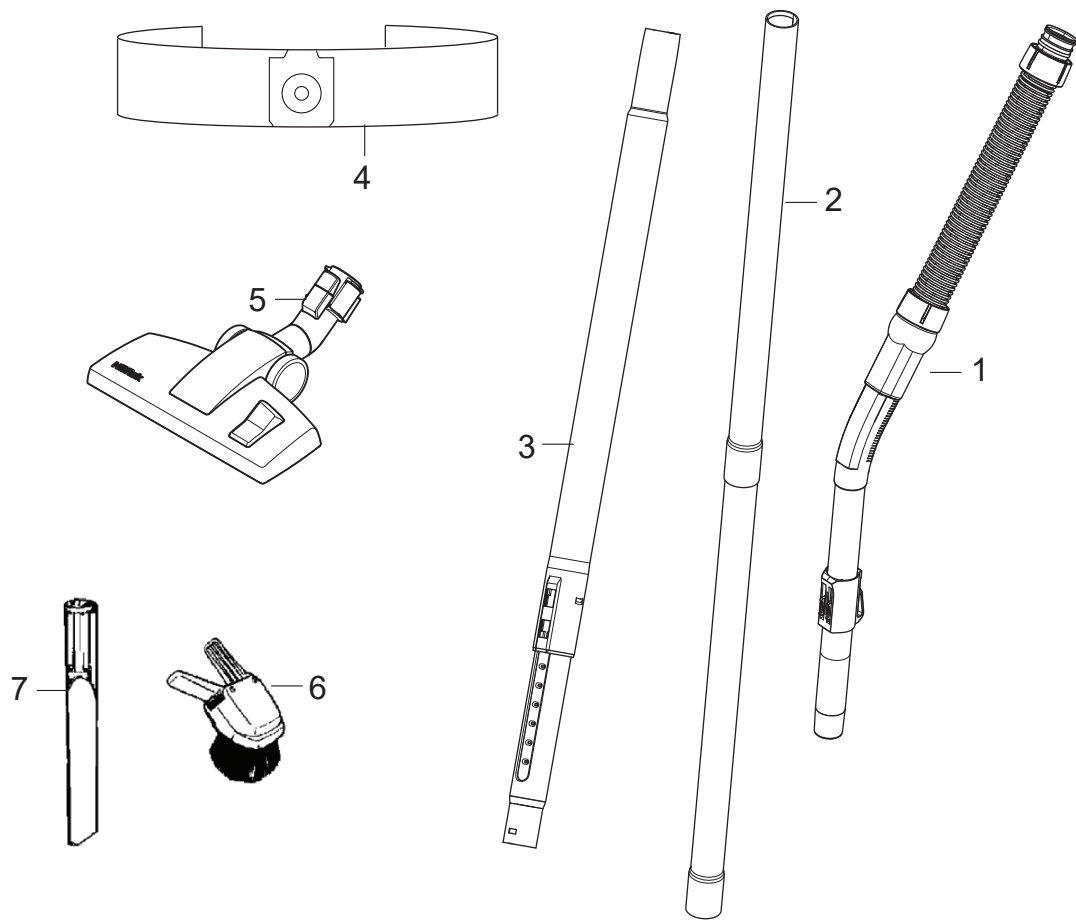
# MOTOR, FILTER AND ELECTRIC

107420636\_GD930 US

2023.05.09

2023.05.09

No.	Part No.	Qty.	Description	Part Note
1	107418901	1	GASKET FILTER SEAL	
2	140 1535 510	1	MOTOR FILTER	
3	107420875	1	PRO STAND US/CA	
4	107407583	1	APPLIANCE INLET	
5	140 7665 500	1	OUTLET ELECT.15A 250V	
8	107408927	1	SWITCH ON/OFF 930-SERIES	
10	140 1535 500	1	MOTOR PROTECTION	
11	107420876	1	DETACH. CABLE US - 10,5M ORANGE	
12	140 8166 010	1	CAPACITOR	
13	140 7902 510	1	FAN UNIT KIT DOMEL 110-120V	
14	140 7901 000	1	SUSPENSION RING	
15	140 7720 000	1	CARBON BRUSH F. 110-120V FAN	
16	140 7016 000	2	SPRING	
17	140 7012 510	1	MOTOR PLATE GD 930/S2	
18	140 3894 500	1	THERMO PROTECTION KIT	
19	140 9214 070	8	SCREW PTK 50X14	





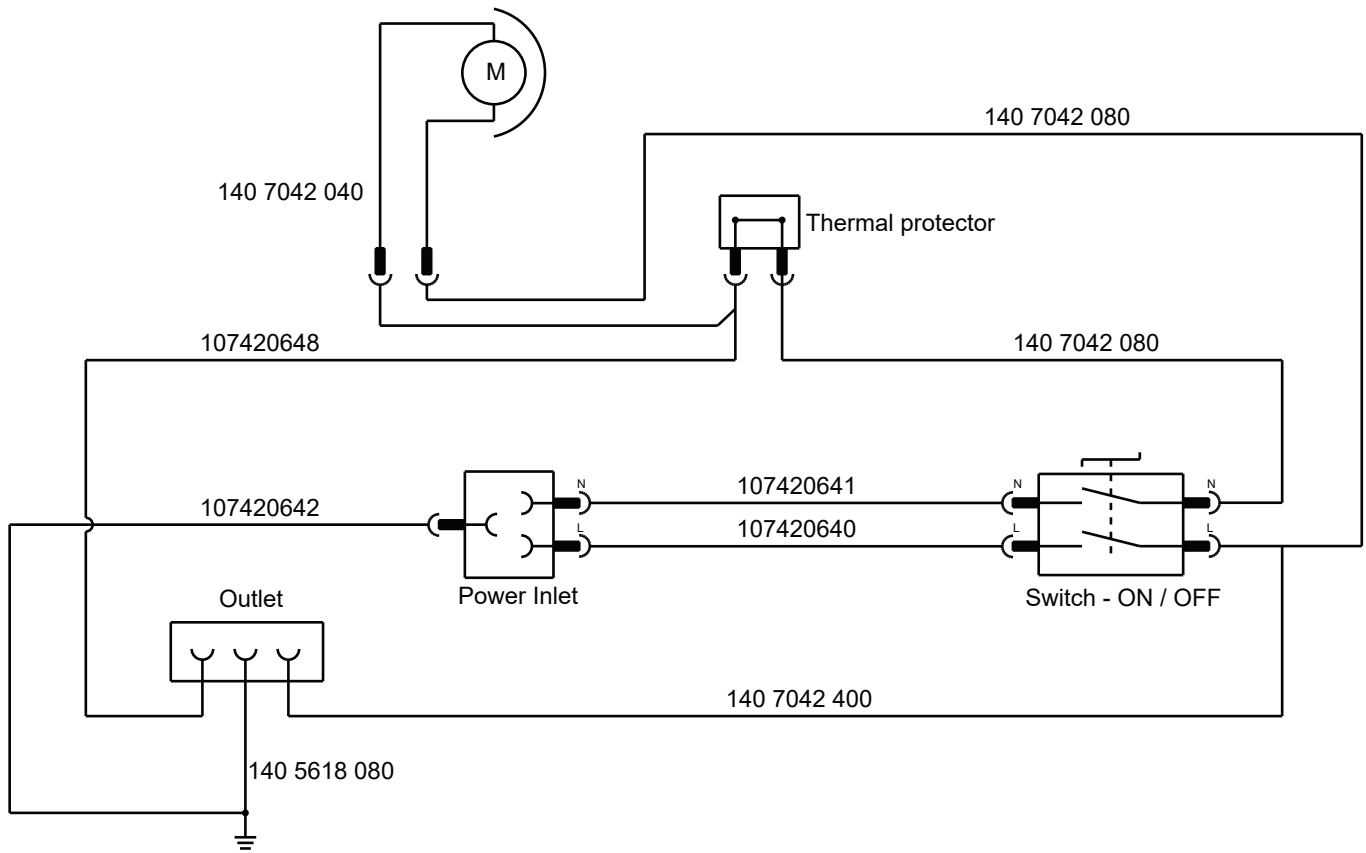
# ACCESSORIES

107420636\_GD930 US

2023.05.09

2023.05.09

No.	Part No.	Qty.	Description	Part Note
1	140 2782 500	1	HOSE ALU.HANDLE D32 1.9 M	
2	011 6431 500	1	EXTENSION TUBE ALUMINIUM	
3	011 8130 500	1	TELESCOPIC TUBE ALUMINIUM	
4	107420630	1	FLEECE DUST BAG 5 PCS	
4	140 7015 040	1	DUST BAG 10-PCS	
5	140 8492 520	1	COMBI NOZZLE RD295 D32	
6	011 3104 500	1	SMALL COMBI NOZZLE	
7	010 3098 500	1	CREVICE NOZZLE	





**HEAD QUARTER****DENMARK**

Nilfisk A/S  
Tel.: (+45) 4323 8100  
[www.nilfisk.com](http://www.nilfisk.com)

**SALES COMPANIES****UNITED STATES**

Nilfisk, Inc.  
Tel.: (+1) 800-989-2235  
[www.nilfisk.com](http://www.nilfisk.com)

**CANADA**

Nilfisk Canada Company  
Tel.: (+1) 800-668-8400  
[www.nilfisk.ca](http://www.nilfisk.ca)

# NILFISK