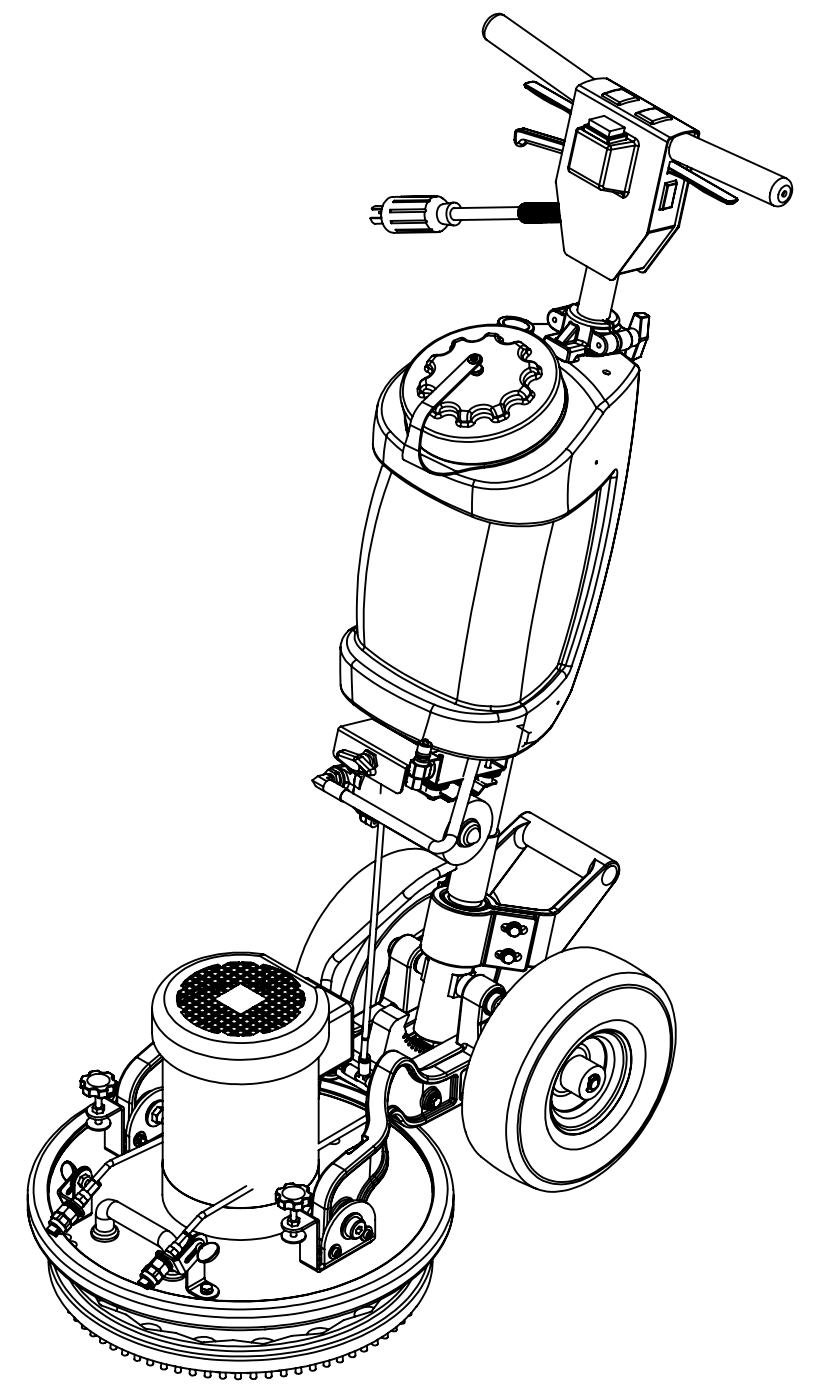


ITEM NO.	PART NO.	DESCRIPTION	QTY.
1	H151	bolt, 5/16-18 x 3/4" Long SHCS	4
2	H421	washer, 5/16" lock, s/s	6
3	H843	locking arc, handle adjustment	1
4	H555	plate, yoke, EC-17	1
5	H216	nut, lock, 1/4-20, nylon insert, s/s	5
6	H210	washer, 1/4" flat, s/s	50
7	H316	bolt, 1/4-20 x 1-1/2" hex head, s/s	6
8	H065	bushing, sleeve, 5/8 i.d. x 1.25" long	2
9	H066	bolt, shoulder 5/8" x 1.25", 1/2-13 thrds	2
10	H427	washer, wave	2
11	H109	wheel, 10", foam filled	2
12	H042	c-clip, 12mm, external	2
13	H228	axle, 13.10" x .50" dia	1
14	H553	arm, left	1
15	P607	bushing, flange, .63" i.d. x .38" long	4
16	H554	bracket, arm, EC-17	2
17	P606	bushing, flange, .63" i.d. x .25" long	4
18	H212	flat washer, 9/16"ID x 1 1/16"OD, AN960-C916	5
19	H242	bolt, shoulder, 5/8" x 1.5", 1/2-13 threads	2
20	H252	bolt, shoulder, 1/4" x 1.5", 10-24 threads	4
21	H351	screw, 1/4-20 x 3/4", socket head, s/s	4
22	H213	washer, 1/4" lock, s/s	15
23	C327A	motor, 1.5 HP, 1725 RPM, 115/230V, 60 HZ, ECO	1
24	PH657-15	tubing, 1/4", nylon, blk	1
25	H559	plate, ECO-17	1
26	G123	BUMPER, ECO-17	1
27	H327	washer, 3/8" lock, s/s	4
28	H293	bolt, 3/8-16 x 1", hex head	4
29	H570	weight w/key, counter, #5 offset, Encap machine	1
30	H571	screw, 5/16-24 x 1", allen, flat, counter sunk, s/s	1
31	H556A	bearing, offset, ECO	1
32	P608	hub, pad driver, s/s, encap machine	1
33	H408	screw, 1/4-20 x 1", countersunk	4
34	G113A	PAD DRIVER, ECO-17	1
35	H203	bolt, 1/4-20 x 1-1/4" hex head, s/s	3
36	H202	bolt, 1/4-20 x 3/4" hex head, s/s	4
37	H485	handle, aluminum grip, black	1
38	B645A	filter, cap, ECO-17	2
39	B645C	jet, ECO-17	2
40	B645D	filter, strainer, ECO-17	2
41	B645B	filter, body, ECO-17	2
42	H384	washer, 3/8 flat, s/s	6
43	H560	L bracket, ECO-17	2
44	H561	jet bracket, ECO-17	2
45	H922	screw, thumb, 1/4-20 x 1/2"	2
46	G052	washer, buna 1-1/8" od x 3/16" id	10
47	B153	coupling, 1/8" npt, light pattern	2
48	B140	connector, 1/4" push-in x 1/8" mpt	3
49	H403	nut, lock, 10-24, nylon insert	4
50	H322	nut, hex, 1/2-13, s/s	2
51	H328	clamp, hold down, weight, s/s, set of 2, ECO	2
52	H552	arm, right	1
53	H007	screw, 10-32 x 2", phil pan head, s/s	4
54	B110	adapter, brass, 1/4" sw barb x 1/4" fpt, w/gasket	1
55	B103	elbow, 90 deg street, 1/4"mpt x 1/4" fpt	1
56	B107	nipple, hex, 1/4"mpt x 1/4"mpt	1
57	B119	filter, strainer, 1/4"	1
58	PH634-8	sol hose, 1/4", silicone braided, clear	1
59	B170	ferrule, 1/4" brass	4
60	B136	elbow, brass, 90 deg, 1/4" mpt x 1/4" mpt	1
61	B129	nipple, hex, 1/8" mpt x 1/8" mpt	2
62	PH657-20	tubing, 1/4", nylon, blk	1

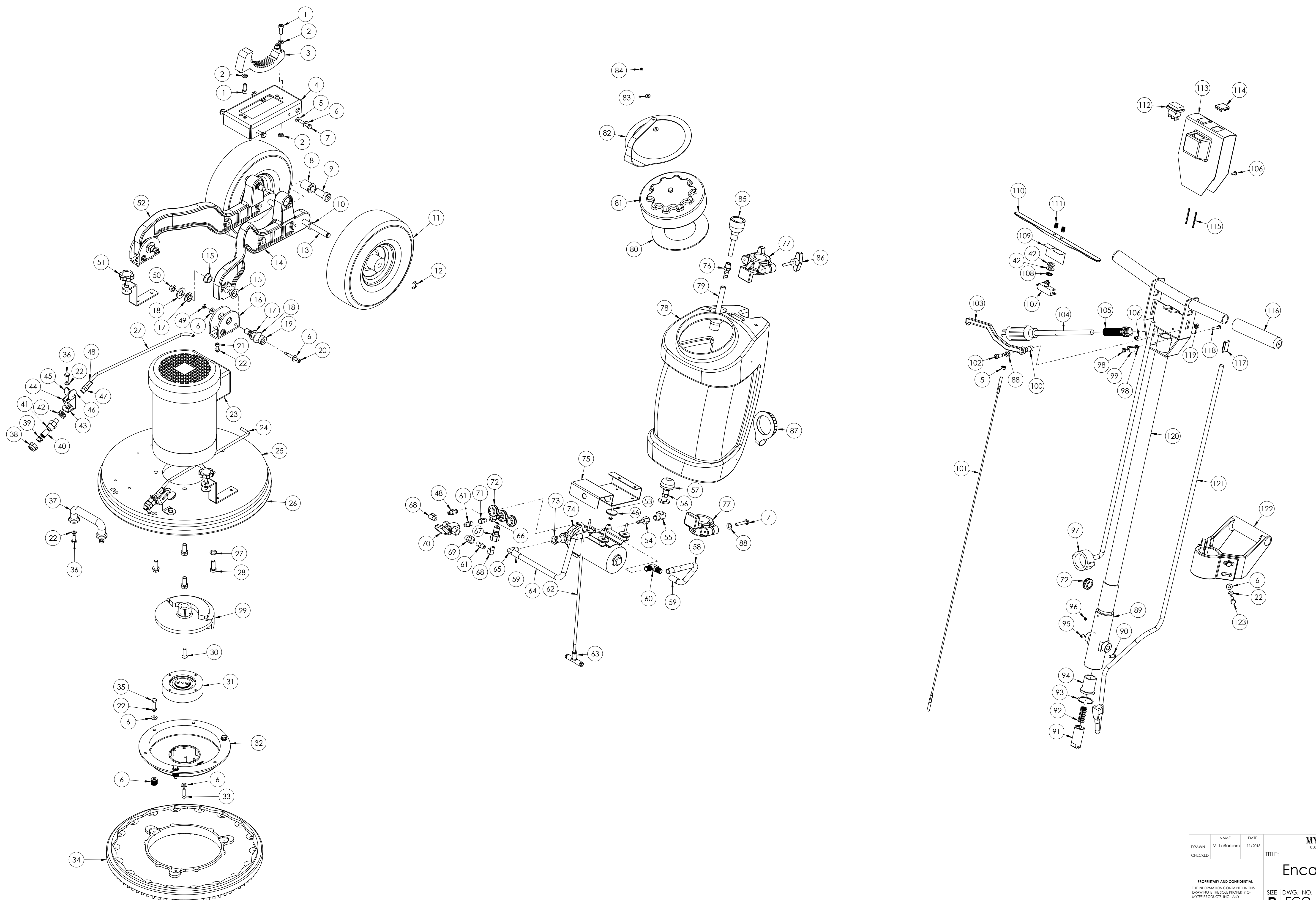
ITEM NO.	PART NO.	DESCRIPTION	QTY.
63	B178	tee, brass, 1/4", push-in	1
64	PH634-12	sol hose, 1/4", silicone braided, clear	1
65	B152	elbow, brass, 90 deg, 1/4" barb x 1/4" mpt	1
66	B131	fitting, 1/4" barb x 1/8" FPT	1
67	B101	qd, brass, 1/4" m	1
68	B143	street elbow, 90 degrees, 1/8"	2
69	B646	adapter, 1/4" mpt x 1/8" fpt	1
70	B261	valve assy 3 way	1
71	B217	check valve, 1/8" mpt x 1/8" fpt, 5 PSI	1
72	H164	grommet, 5/8" ID	4
73	B105	bushing, brass, 3/8"mpt x 1/4"	2
74	C324	pump, 60 PSI, no pressure switch, 4" cord, male schuko plug, 115v, 60hz	1
75	H397	bracket, pump mount, ECO-17	1
76	B241	adapter, brass, 3/8" barb x 1/4"mpt	1
77	H915	clamp, shampoo tank	2
78	P559	replacement tank, ST-4	1
79	PH715-36	sol hose, 3/8", silicone braided, clear	1
80	G031	gasket, 3.25" i.d. x 5.88" o.d.	1
81	P560	cap, 6", threaded	1
82	G055	tether, cap, 6 1/2"	1
83	H612	Washer, #8, flat regular	2
84	H274	screw, 6 x 3/16, phil pan head, self-tapping	1
85	H178	faucet fill	1
86	H357	thumb screw, 1/4" - 20, shampoo tank	2
87	G036	cap, 2.5" threaded, tethered	1
88	H148	washer, 5/16", narrow	3
89	H341	handle pivot, floor machine	1
90	H705	bolt, guide, locking piston	1
91	H844	locking piston, handle adj.	1
92	H157	spring, handle adjustment	1
93	H152	ring, retaining, internal 1 1/2"	1
94	H847	bushing, locking piston	1
95	H341B	set screw, 1/4-20 x 1/2", handle, pivot	2
96	H341A	set screw, 1/4-20 x 1/4", handle, pivot	2
97	E615	power cord, schuko female end, 48", 18/3, black, sjtw solid jacket	1
98	H273	nut, kep, #10-32 zinc	2
99	H916	clip, cord, 5/16", nylon- BLACK	1
100	P529	spacer, lever, handle adj.	1
101	H159	cable, handle adj, floor machine	1
102	H149	bolt, 5/16" shldr x 5/8" w/ 1/4-20 thrd	1
103	H839	lever, handle adj., floor machine	1
104	E417	power cord, end, 13", 12/3, LA066A male twist locks, sjtw solid jacket	1
105	H144	strain relief, power cord, metal	1
106	H230	screw, 10-32 x 1/2" phil pan head, s/s	3
107	H167	switch, momentary	1
108	H640	washer, internal star, 3/8" zinc	1
109	H166	insulation, switch, floor machine	1
110	H855	lever, switch, floor machine	1
111	H160	spring, switch/lever	2
112	E516	switch, rocker, 3 position	1
113	H255	switch cover, EC, floor machine	1
114	P605	plug, lockout, ECO	2
115	H161	roll pin, 1 3/4" x 1/8"	2
116	G040	grip, handle, vinyl	2
117	P524	plug, plastic, floor machine handle	1
118	H231	screw, 10-32 x 1" phil pan head, s/s	1
119	H215	nut, hex, 1/4-20 s/s	1
120	H849	handle, floor machine	1
121	E575	power cord, female nema 15 end, black, 52", 12/3, sjtw, solid jacket	1
122	H600	grip, 2" dia, wand	1
123	H342	bolt, 1/4-20 x 1" hex head, s/s	4

ITEMS NOT SHOWN

PART NO.	DESCRIPTION	QTY
E351A	powercord, ext, 50', 12/3, fem twist lock x male end	1
G127-19	bonnet, micro fiber, 19"	1



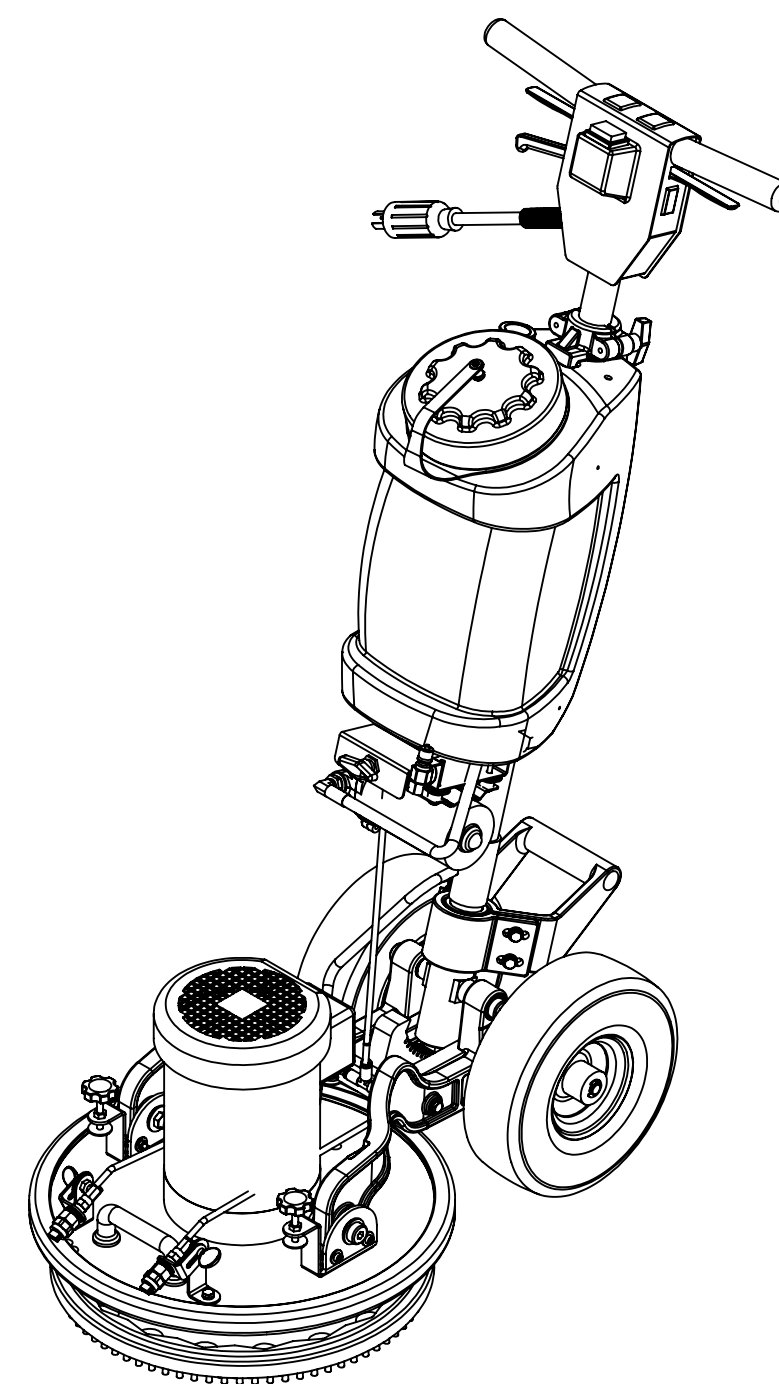
NAME	DATE	MYTEE 858-679-1191						
DRAWN M.LaBarbera	11/2018							
CHECKED		TITLE:						
COMMENTS:		Encap PRO						
<small>PROPRIETARY AND CONFIDENTIAL THE INFORMATION CONTAINED IN THIS DRAWING IS THE SOLE PROPERTY OF MYTEE LLC. ANY REPRODUCTION IN PART OR AS A WHOLE WITHOUT THE WRITTEN PERMISSION OF MYTEE LLC IS PROHIBITED.</small>		<table border="1"> <tr> <td>SIZE</td> <td>DWG. NO.</td> <td>REV</td> </tr> <tr> <td>C</td> <td>ECO-17 PRO OD</td> <td></td> </tr> </table>	SIZE	DWG. NO.	REV	C	ECO-17 PRO OD	
SIZE	DWG. NO.	REV						
C	ECO-17 PRO OD							
SCALE: 1:24	DO NOT SCALE DRAWING	SHEET 1 OF 3						



NAME	DATE	MYTEE 858-679-1191
DRAWN M. LaBarbera	11/2018	
CHECKED		TITLE: Encap PRO
PROPRIETARY AND CONFIDENTIAL THE INFORMATION CONTAINED IN THIS DRAWING IS THE SOLE PROPERTY OF MYTEE PRODUCTS, INC. ANY REPRODUCTION IN PART OR AS A WHOLE WITHOUT THE WRITTEN PERMISSION OF MYTEE PRODUCTS, INC. IS PROHIBITED.		SIZE DWG. NO. REV D ECO-17 PRO OD
SCALE: 1:24		DO NOT SCALE DRAWING SHEET 2 OF 3

REVISIONS

REV.	DESCRIPTION	DATE	APPROVED
OD	ORIGINAL DRAFT	3/2015	JFL



	NAME	DATE	MYTEE 858-679-1191	
DRAWN	M.LaBarbera	11/2018		
CHECKED			TITLE:	
COMMENTS:			Encap PRO	
PROPRIETARY AND CONFIDENTIAL THE INFORMATION CONTAINED IN THIS DRAWING IS THE SOLE PROPERTY OF MYTEE LLC. ANY REPRODUCTION IN PART OR AS A WHOLE WITHOUT THE WRITTEN PERMISSION OF MYTEE LLC IS PROHIBITED.				
	SIZE	DWG. NO.	REV	
	C	ECO-17 PRO	OD	
	SCALE: 1:24	DO NOT SCALE DRAWING	SHEET 3 OF 3	