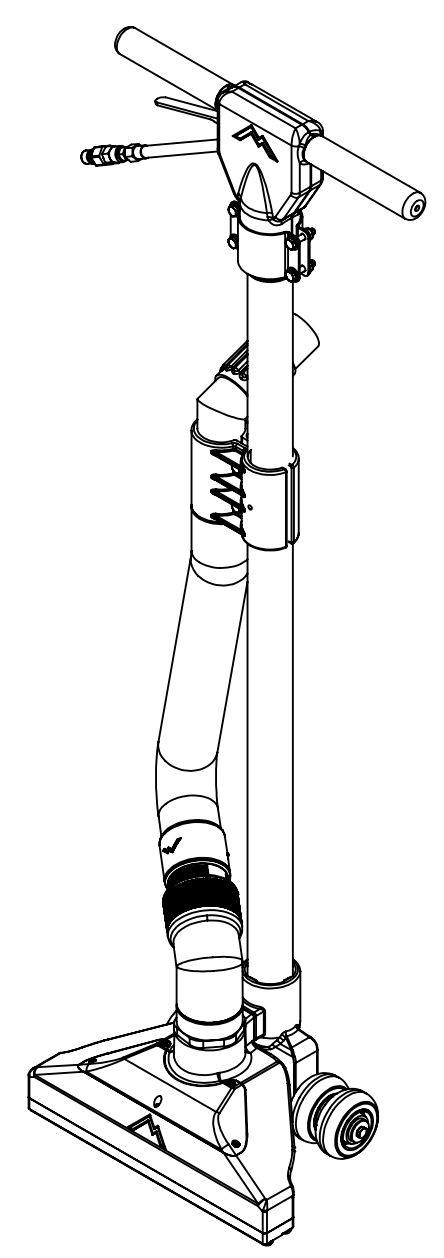


ITEM NO.	PART NO.	DESCRIPTION	QTY.
1	AH111	sol hose, 1/4" x 50" (OAL), bentleys	1
2	H427	washer, wave	4
3	H212	flat washer, 9/16"ID x 1 1/16"OD, AN960-C916	2
4	H658	axle, 10.50" x .50" dia	1
5	H358B	wheel, 3"	4
6	H211	washer, 1/4" id x 1" od, flat, s/s	2
7	H201	bolt, 1/4-20 x 1/2" hex head, s/s	2
8	H413	washer, nylon, 9/16 id x 1-1/16 od x .031	2
9	B107	nipple, hex, 1/4" mpt x 1/4" mpt	2
10	H289	washer, 10 flat, s/s	2
11	H619	magnet, block, 1" x 1" x 1/2"	2
12	H230	screw, 10-32 x 1/2" phil pan head, s/s	2
13	H356	screw, 6-32 x 1/2" phil pan head, s/s	9
14	H612	washer, 8 flat, black ox	8
15	H656C	spraybar, speed wand	1
16	G105	gasket, valve, buna, handtool	4
17	B137	check valve, stubby	4
18	B639	jet, 1/8", 11002, 90 deg, lo pro, s/s	4
19	H656	vacuum manifold, speed wand	1
20	P641	adapter, glide, 8314SW	1
21	H086A	glide, 14", bentley II	2
22	P620	sight window, speed wand	1
23	P517V	vacuum sight tube w/Cuff-Lynx, 90 deg, vinyl cuff	1
24	H136V	Cuff-Lynx, 2" male cuff x 2" fem vac hose, vinyl	1
25	H391	hose, vac, 2" x 30", 8314SW	1
26	H316	bolt, 1/4-20 x 1-1/2" hex head, s/s	2
27	H210	washer, 1/4" flat, s/s	12
28	H276	clamp, vacuum elbow, TRex	2
29	H093	tube, vac elbow, 2" dia	1
30	G082A	sleeve, vac relief, 2", spin	1
31	H216	nut, lock, 1/4-20, nylon insert, s/s	6
32	H657	yoke, speed wand	1
33	H659	tube, speed wand	1
34	H203	bolt, 1/4-20 x 1-1/4" hex head, s/s	4
35	H721	clamp, speed wand	2
36	P618A	handle front, speed wand	1
37	G040	grip, handle, vinyl	2
38	H660	handle, reinforcement, speed wand	1
39	P522	handle, back half, T-REX	2
40	H231	screw, 10-32 x 1" phil pan head, s/s	4
41	H155	screw, #8 x 5/8", phil pan, s/s	10
42	B101	quick disconnect, 1/4" mqd x 1/4" fpt	1
43	B247	filter, in-line, 100 mesh, 1/4" mpt x fpt	1
44	AH122	sol hose, 1/4" x 7", 1/4 mpt x 1/4 fpt	1
45	B133-A	valve, brass, K, w/ trigger for wands	1
46	B103	elbow, 90 deg street, 1/4" mpt x 1/4" fpt	1
47	B194	nipple, hex, 1/4" mpt x 1/8" mpt	1
48	B237A	valve, flow, 1/8"	1
49	P618B	handle back, speed wand	1

REVISIONS			
REV.	DESCRIPTION	DATE	APPROVED
OD	ORIGINAL DRAFT	12/2017	JFL

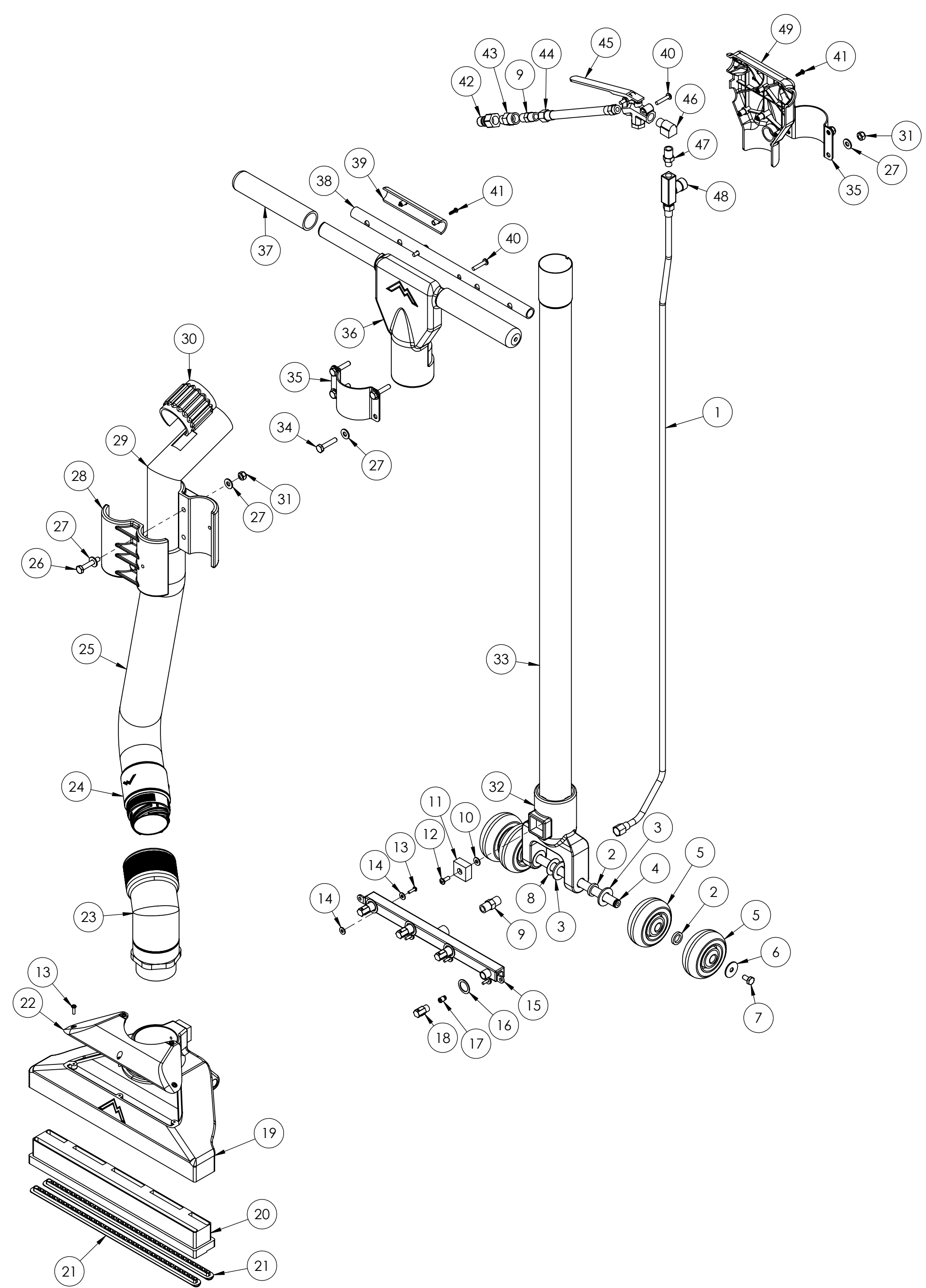


ITEMS NOT SHOWN

PART NO.	DESCRIPTION	QTY.
H302	cuff, hose, 2" x 2.5", swivel, grey	1

DRAWN	M.LaBarbera	DATE	3/2017	MYTEE 858-679-1191 TITLE: <h2>Bentley, speed wand</h2>
CHECKED				
COMMENTS: PROPRIETARY AND CONFIDENTIAL THE INFORMATION CONTAINED IN THIS DRAWING IS THE SOLE PROPERTY OF MYTEE LLC. ANY REPRODUCTION IN PART OR AS A WHOLE WITHOUT THE WRITTEN PERMISSION OF MYTEE LLC IS PROHIBITED.				SIZE DWG. NO. C 8314SW
				REV OD
SCALE: 1:12				DO NOT SCALE DRAWING
				SHEET 1 OF 2

REVISIONS			
REV.	DESCRIPTION	DATE	APPROVED
OD	ORIGINAL DRAFT	3/2017	JFL



	NAME	DATE	MYTEE <small>858-679-1191</small>		
DRAWN	M.LaBarbera	3/2017			
CHECKED			TITLE:		
COMMENTS:			Bentley, speed wand		
<small>PROPRIETARY AND CONFIDENTIAL</small> <small>THE INFORMATION CONTAINED IN THIS DRAWING IS THE SOLE PROPERTY OF MYTEE LLC. ANY REPRODUCTION IN PART OR AS A WHOLE WITHOUT THE WRITTEN PERMISSION OF MYTEE LLC IS PROHIBITED.</small>			SIZE	DWG. NO.	REV
			C	8314SW	OD
SCALE: 1:12			DO NOT SCALE DRAWING	SHEET 2 OF 2	