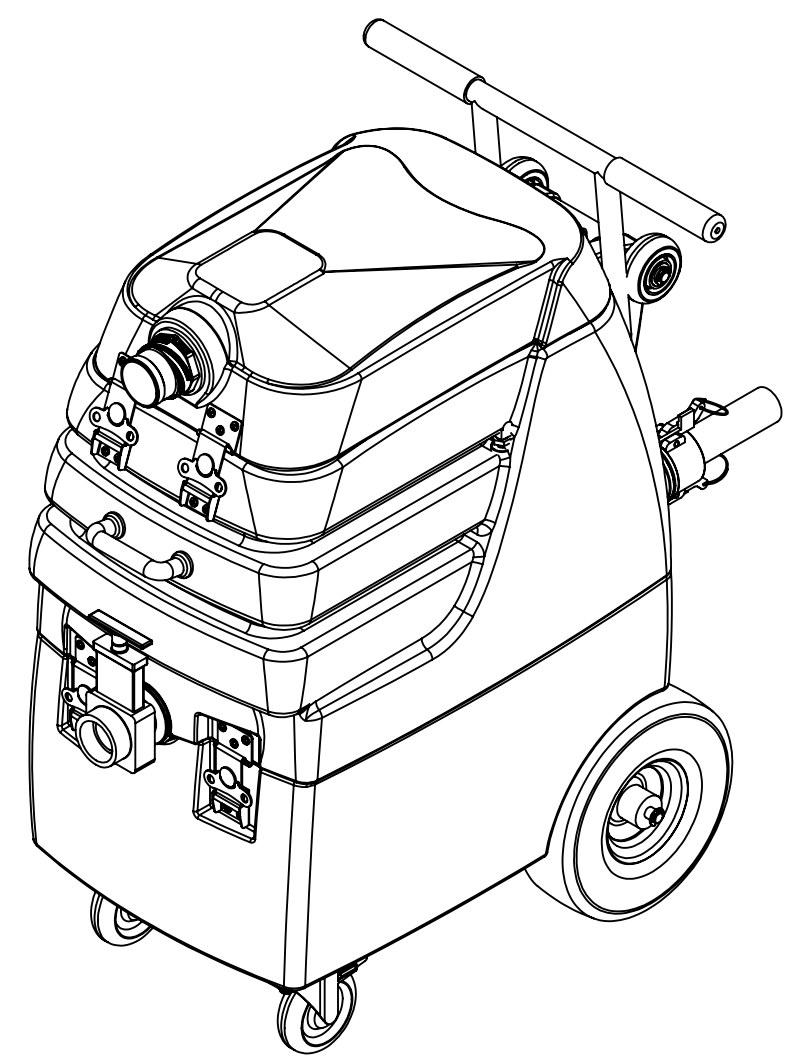


ITEM NO.	PART NO.	DESCRIPTION	QTY.
1	H135	Cuff-Lynx, 2" m cuff x 2" mpt	1
2	H230	screw, 10-32 x 1/2" phil pan head, s/s	59
3	H486	latch, front, set, large	5
4	P746	lid, 7000SX	1
5	G092	gasket, lid, 7000SX	1
6	H253	plate, dual manifold, 9" x 13"	1
7	H202	bolt, 1/4-20 x 3/4" hex head, s/s	6
8	G059	exhaust boot, plastisol	1
9	H501	vac support, 3 stage, 4-1/16"	6
10	H300	cuff, hose, 1-1/2 x 1-1/2, wire	1
11	PH627-15	vac hose, 1-1/2", black, wire reinforced	1
12	H217	clamp, hose, 2-1/4 dia	4
13	H770	bolt, 1/4-20 x 1/2" serrated hex flange, zinc	6
14	PH628-10	vac hose, 2", black, wire reinforced	1
15	C348	vac motor, lx, hybrid, w/inlet tube, 173 cfm, 120v	2
16	H225	valve, drain, 1-1/2"	1
17	H485	handle, aluminum grip, black	1
18	G052	washer, buna 1-1/8" od x 3/16" id	6
19	H211	washer, 1/4" id x 1" od, flat, s/s	2
20	H768	bolt, 1/4-20 x 3/4" serrated hex flange, zinc	2
21	P745	vac tank, 7000SX	1
22	H023	filter basket, flood hog	1
23	E400	switch, mechanical float, for pumpout	1
24	C388	pump out, 66 gpm, stainless, 115v	1
25	H256	screw, 10-32 x 3/4" phil pan head, zinc	1
26	H059	bracket, ETM, pump-out	2
27	H273	nut, kep, #10-32 zinc	17
28	H216	nut, lock, 1/4-20, nylon insert, s/s	13
29	H342	bolt, 1/4-20 x 1" hex head, s/s	9
30	P686	swing check valve, pump out	1
31	PH627-15	vac hose, 1-1/2", black, wire reinforced	1
32	H396	barb, 1-1/2" x 1-1/2" fpt, pump out	1
33	H207	cam & groove fitting 1-1/2", male	1
34	H205	cam & groove fitting 1-1/2", female	1
35	AH121	hose, layflat, 50', pump-out	1
36	PH633-1	pipe, pvc, 1-1/2"	1
37	G003	filter, foam, 2", vac stack, 1/2"	1
38	G097	filter, screen mesh, 1.90" dia	1
39	P502	adapter, 1.5" pvc, fslip x fslip	1
40	PH633-11	pipe, pvc, 1-1/2"	1
41	H244	adapter, pvc, 1-1/2" fms x fmpt	1
42	H229	inlet, pvc, 1-1/2", gray	1
43	P609	handle, 7000SX	1
44	H089	axle, 9.63" x .50" dia	1
45	H358B	wheel, 3"	2
46	H042	c-clip, 12mm, external	4
47	E373	level switch, vacuum shut-off, rear threads	2
48	B103	elbow, 90 deg street, 1/4" mpt x 1/4" fpt	2
49	B113	tee, 1/4" fpt x 1/4" fpt x 1/4" fpt	1
50	B303	nipple, 3" long x 1/4" npt x 1/4" npt	3
51	B142A	coupling, brass, 1/4" fpt x 1/4" fpt	3
52	B106	nipple, brass, 1/4" x close	1
53	B105	bushing, brass, 3/8" mpt x 1/4"	1
54	H212	flat washer, 9/16" ID x 1 1/16" OD, AN960-C916	1
55	B156	nut, 1/4" npt	1
56	H210	washer, 1/4" flat, s/s	20
57	H169	bolt, 1/4-20 x 2", hex head	4
58	G040	grip, handle, vinyl	2
59	H548	handle, 1" bar, s/s	1
60	H641	plate, switch, RL1200, 7000DX	1
61	E512B	light, indicator, blue	1
62	P967A	plug, switch	1

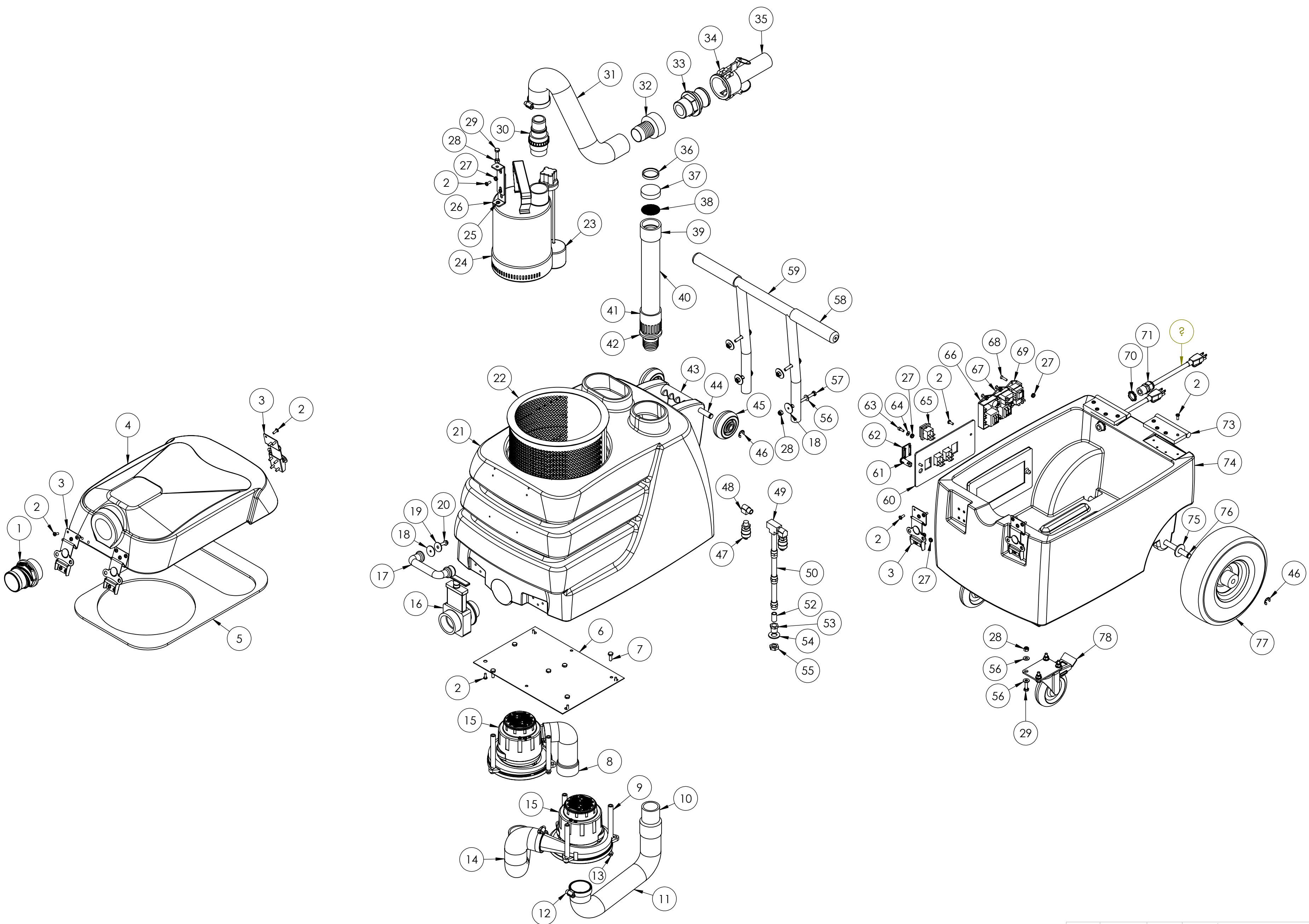
ITEM NO.	PART NO.	DESCRIPTION	QTY.
63	H389	screw, 10-32 x 1/2" SHCS, alloy	1
64	H612	washer, 8 flat, black ox	1
65	E515	switch, rocker, 2 position	3
66	E564	controller, circuit light, audible	1
67	E370	controller, water level, dual pump or vac	1
68	H186	screw, 10-32 x 3/4, phil, flat, countersunk, s/s, black	6
69	E628	Level Switch Control	1
70	H221	nut, lock, 1/2" steel, electrical	2
71	H220	fitting, strain relief, cord	2
72	E550	power cord, male end, blue lit, 25', 12/3, sjtw solid jacket	2
73	H487	bracket, hinge	2
74	P696	base, 7000SX	1
75	H254	washer, axle, cut 1/2" id	2
76	H371	axle, 18.03" x .50" dia	1
77	H109	wheel, 10", foam filled	2
78	H668	caster, 4", black hub & gray tread	2

ITEMS NOT SHOWN

PART NO.	DESCRIPTION	QTY.
H141	Cuff-Lynx, 2" x 1.5" reducer	1
G109	gasket, strip, vac lid, 7000S	1
E530	power cord, ext 50', 12/3	2
P568A	cord lock, s-type	2
H226	spout, drain, 45 degree	1
H294	hose, vac 1-1/2" x 25' sw cuff	1



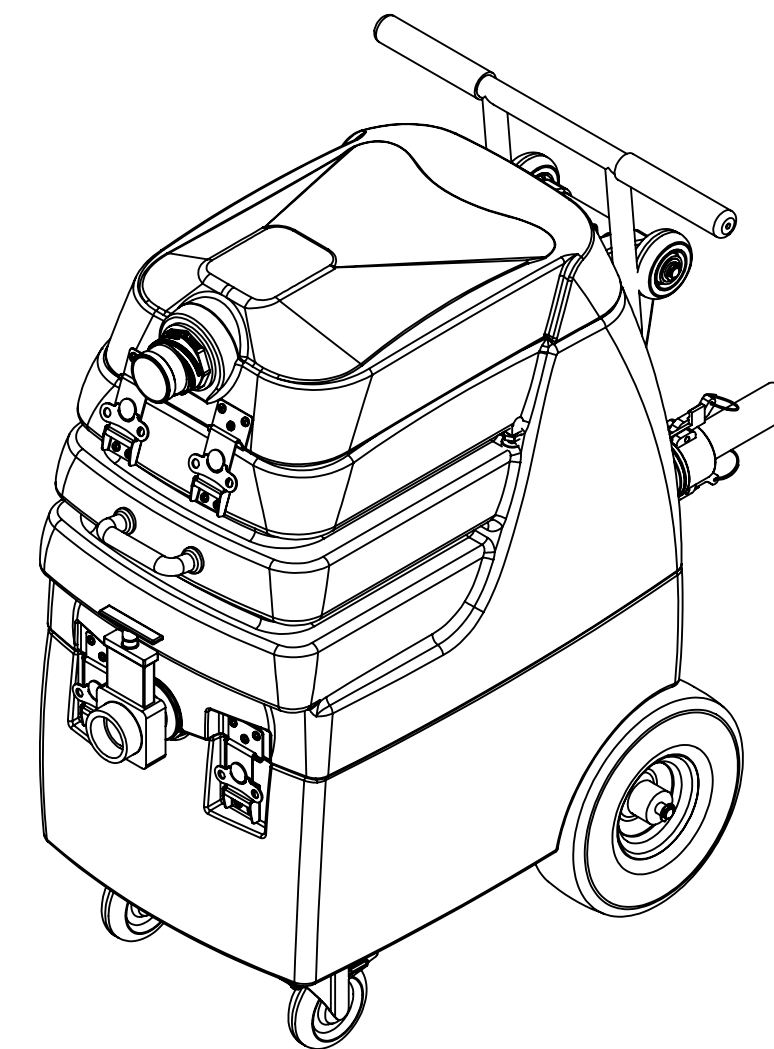
NAME	DATE	MYTEE PRODUCTS, INC. 858-679-1191	
DRAWN M.LaBarbera	11/2018	TITLE:	
CHECKED		Flood Hog	
COMMENTS:		SIZE	REV
<small>PROPRIETARY AND CONFIDENTIAL</small> <small>THE INFORMATION CONTAINED IN THIS DRAWING IS THE SOLE PROPERTY OF MYTEE PRODUCTS, INC. ANY REPRODUCTION IN PART OR AS A WHOLE WITHOUT THE WRITTEN PERMISSION OF MYTEE PRODUCTS, INC. IS PROHIBITED.</small>		C	OD
		DWG. NO. 7000LX	
SCALE: 1:32		DO NOT SCALE DRAWING	SHEET 1 OF 3



	NAME	DATE	MYTEE PRODUCTS, INC. 858-679-1191	
DRAWN	M.LaBarbera	11/2018	TITLE:	
CHECKED			Flood Hog	
COMMENTS:			SIZE DWG. NO.	REV
PROPRIETARY AND CONFIDENTIAL			C	OD
THE INFORMATION CONTAINED IN THIS DRAWING IS THE SOLE PROPERTY OF MYTEE PRODUCTS, INC. ANY REPRODUCTION IN PART OR AS A WHOLE WITHOUT THE WRITTEN PERMISSION OF MYTEE PRODUCTS, INC. IS PROHIBITED.			SCALE: 1:32	DO NOT SCALE DRAWING SHEET 2 OF 3

REVISIONS

REV.	DESCRIPTION	DATE	APPROVED
OD	ORIGINAL DRAFT	6/12/2015	JFL



	NAME	DATE	MYTEE PRODUCTS, INC. <small>858-679-1191</small>	
DRAWN	M.LaBarbera	11/2018	TITLE:	
CHECKED			Flood Hog	
COMMENTS:				
PROPRIETARY AND CONFIDENTIAL			SIZE	DWG. NO.
THE INFORMATION CONTAINED IN THIS DRAWING IS THE SOLE PROPERTY OF MYTEE PRODUCTS, INC. ANY REPRODUCTION IN PART OR AS A WHOLE WITHOUT THE WRITTEN PERMISSION OF MYTEE PRODUCTS, INC. IS PROHIBITED.			C	7000LX
			SCALE: 1:32	REV
			<small>DO NOT SCALE DRAWING</small>	OD
			SHEET 3 OF 3	