



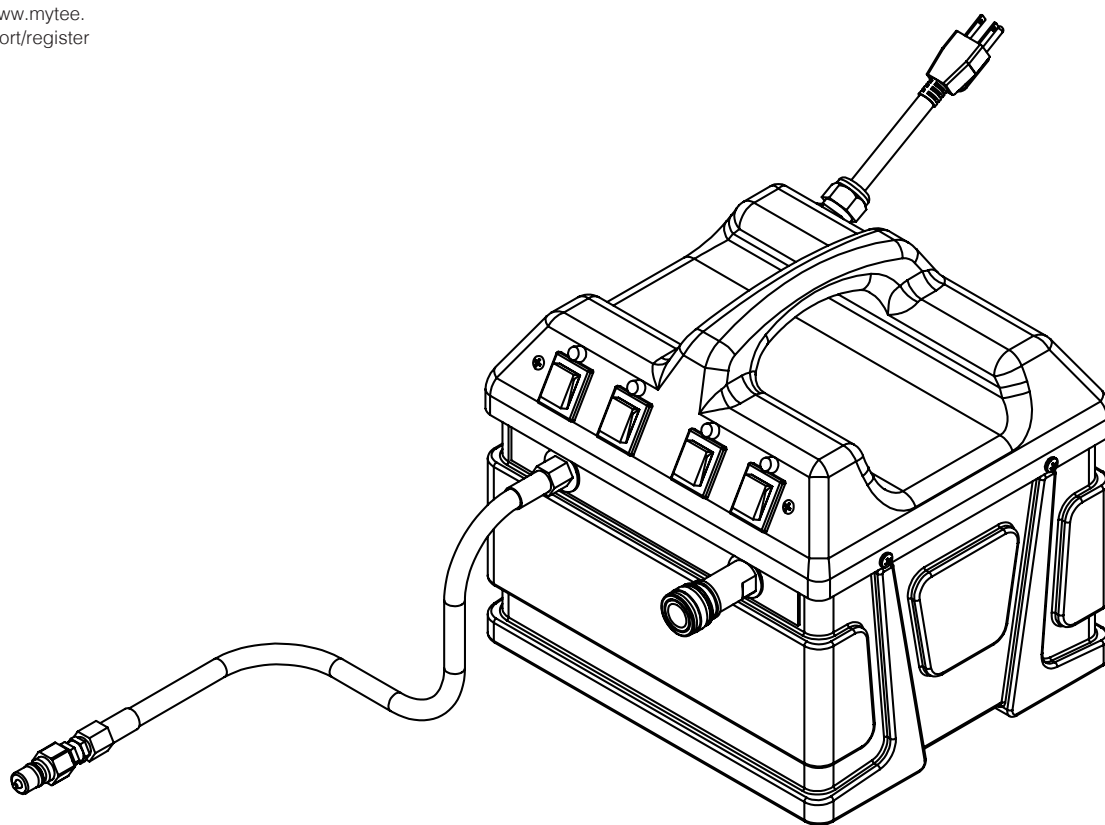
Instructions for 240-120 Mytee Hot Turbo[®]



Please read before use.



Register your product
at <http://www.mytee.com/support/register>



[General Information p. 2](#)

[Setup p. 4](#)

[Operation p. 5](#)

[Parts p. 6](#)

[Wiring Diagram p. 7](#)

Model # _____

Serial # _____

Form # ADP-240-120

7-16

GENERAL INFORMATION

Dear Customer:

Congratulations on the purchase of your new 240-120 Mytee Hot Turbo™. As you are already aware, the scene of the equipment world is becoming more high tech, and we at Mytee Products Inc. strive to keep you on the cutting edge with superior quality and technology.

Keep in mind that the 240-120 Mytee Hot Turbo™ is an electric appliance, so neglect or abuse will cause unnecessary damage and void the warranty. However with simple maintenance the 240-120 will give quality performance for many years to come.

If warranty questions arise, please consult your user manual or get in touch with your distributor. If you have questions about maintenance, replacing parts or ordering parts, please call an authorized Mytee Products Inc. Service Center. To see an updated list, visit our website at www.mytee.com

Before you begin using, please read your manual thoroughly.

Sincerely,
Mytee Customer Care Dept.

Grounding Instructions

This machine must be grounded. If it should malfunction or breakdown, grounding provides a path of least resistance for electrical shock. This machine is equipped with a cord having an equipment-grounding conductor and grounding plug. The plug must be plugged into an appropriate outlet that is properly installed in accordance with all local code and ordinances. Do not remove ground pin; if missing, replace plug before use.



DANGER

Improper connection of the equipment-grounding conductor can result in a risk of electric shock. Check with a qualified electrician or service person if you are in doubt as to whether the outlet is properly grounded. Do not modify the plug provided with the machine. If it will not fit the outlet, have a proper outlet installed by a qualified electrician.

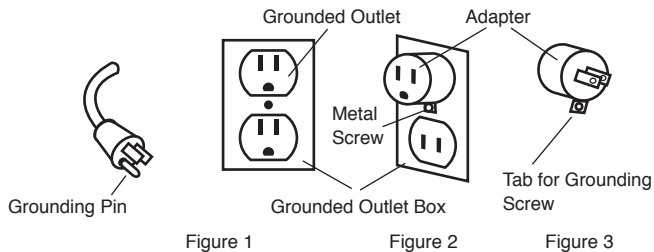
This appliance is for use on a nominal 120-volt circuit, and has a grounding plug that looks like the plug illustrated in Figure 1 below. A temporary adapter illustrated in Figures 2 and 3 may be used to connect this plug to a 2-pole receptacle as shown in Figure 2 if a properly grounded outlet (Figure 1) is not available. The temporary adapter should be used only until a properly grounded outlet (Figure 1) can be installed by a qualified electrician. The green colored rigid ear, tab or the like extending from the adapter must be connected to a permanent ground such as a properly grounded outlet box cover. Whenever the adapter is used, it must be held in place by a metal screw. Grounding adapters are not approved for use in Canada.

Replace the plug if the grounding pin is damaged or broken.

The Green (or GreenYellow) wire in the cord is the grounding wire. When replacing a plug, this wire must be attached to the grounding pin only.

DO NOT use extension cords.

Please Note for America use only



Parts and Service

Repairs, when required, should be performed by Mytee service personnel or Mytee authorized Service Center using Mytee original replacement parts and accessories. Call Mytee for repair parts or service. Please specify the Model and Serial Number when discussing your machine.

Name Plate

The Model and Serial Number of your machine are shown on the Nameplate on the back panel of the machine. This information is needed when ordering repair parts for the machine. Use the space provided on the front cover to note the Model and Serial Number of your machine for future reference.

Unpacking the Machine

When the machine is delivered, carefully inspect the shipping carton and the machine for damage. If damage is evident, save the shipping carton so that it can be inspected by the carrier that delivered it. Contact the carrier immediately to file a freight damage claim.

Caution and Warnings

Symbols

Mytee uses the symbols below to signal potentially dangerous conditions. Always read this information carefully and take the necessary steps to protect personnel and property.



DANGER

Is used to warn of immediate hazards that will cause severe personal injury or death.



WARNING

Is used to call attention to a situation that could cause severe personal injury.



CAUTION

Is used to call attention to a situation that could cause minor personal injury or damage to the machine or other property. When using an electrical appliance, basic precautions should always be followed, including the following: Read all instructions before using this machine. This product is intended for commercial use only.



WARNING

To reduce the risk of fire, electrical shock, or injury:

1. Read all instructions before using equipment.
2. Use only as described in this manual. Use only manufacturer's recommended attachments.
3. Always unplug power cord from electrical outlet before attempting any adjustments or repairs.
4. Do not unplug by pulling on cord. To unplug, grasp the plug, not the cord.
5. Do not pull or carry by cord. Do not close a door on cord or pull cord around sharp edges or corners.
6. Do not run appliance over cord. Keep cord away from heated surfaces.
7. Do not use with damaged cord or plug. If cord is damaged, repair immediately.
8. Do not use outdoors or on wet surfaces and or standing water.
9. Always unplug or disconnect the appliance from power supply when not in use.
10. Do not allow to be used as a toy. Close attention is necessary when used by or near children.
11. Do not use in areas where flammable or combustible material may be present.
12. Do not leave the unit exposed to harsh weather elements. Temperatures below freezing may damage components and void warranty.
13. Use only the appropriate handles to move and lift unit. Do not use any other parts of this machine for this purpose.
14. Keep hair, loose clothing, fingers, and all parts of the body away from all openings and moving parts.
15. Use extra care when cleaning on stairs.
16. To reduce the risk of fire or electric shock, do not use this machine with a solid-state speed control device.
17. The voltage and frequency indicated on the name plate must correspond to the wall receptacle supply voltage.
18. When cleaning and servicing the machine, local or national regulations may apply to the safe disposal of liquids which may contain: chemicals, grease, oil, acid, alkalines, or other dangerous liquids.
19. Do not leave operating unattended.

Operating Instructions

1. Make sure all switches are in the OFF position on both the extractor and Mytee Hot Turbo™.
2. Fill extractor with preferred solution.
3. Connect male quick disconnect of Mytee Hot Turbo™ to the female quick disconnect of the extractor.
4. Connect male quick disconnect of the solution hose assembly to the female quick disconnect of the Mytee Hot Turbo™.
5. Turn pump to ON position.
6. Engage trigger to dispense solution throughout extractor and Mytee Hot Turbo™ until the water flow is sufficient.
7. Turn Mytee Hot Turbo™ switches to the on position (please keep in mind that each switch pulls approximately 5 amps).
8. Allow for a 5-10 minute preheat cycle to obtain maximum heat
9. In the event of dramatic heat loss allow Mytee Hot Turbo™ to Reheat for 1-3 minutes.

GENERAL INFORMATION

10. Temperatures may vary depending on pump (pressure and GPM) and spray jets (quantity and orifice size).

After Use

1. Unplug.
2. Inspect hose and replace if damaged.
3. Inspect power cord and replace if damaged.
4. Store the machine in a clean, dry place.

Maintenance Schedule

Maintenance item	Daily	Once a week
Clean and inspect Hoses and Fittings.	x	
Check power supply cable.	x	
Clean machine with all purpose cleaner and cloth.	x	
Flush solution system with Mytee system maintainer.		x

Troubleshooting

There is no power.

1. Plug machine in proper outlet.
2. Check circuit breaker; reset circuit breaker, other items should not run on the same circuit as machine. Outlet must be a 20-amp circuit.

Water does not flow through unit.

1. Snap quick disconnects firmly together.
2. Check your solution tank; may be empty.
3. Jets clogged, remove jet and flush clean.
4. Filters clogged, remove filters and rinse clean with water.
5. Heater is blocked; flush out with Mytee's system maintainer.

Heater does not work properly.

1. If sensor mounted on the heater has popped, reset sensor by pushing in button.
2. Heating element may need to be replaced.

Machine Specifications

Max. Pressure	500 PSI
Max. Temperature	210°F
Heater	2,400W max. (4x 600W)
Power Consumption	5 amps per switch 20 amps max. @ 115V 60Hz
Machine Weight	25 lbs.
Machine Dimensions	11.5" x 12.5" x 11"
Power Cord	25' 12/3

230V Configuration Information

Model Number	240-120-230
Power Consumption	2.5 amps per switch 10 amps max. @ 230V 60Hz/50Hz

FAQs

Q: Where do I plug the machine in?

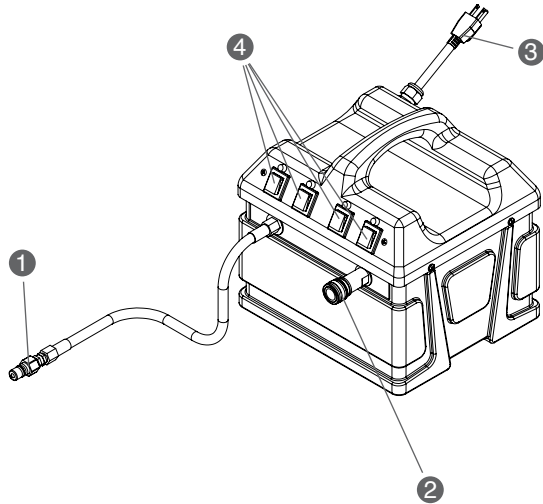
A: The 240-120 requires a 20A grounded circuit. Please note: GFI outlets may trip before the breaker setting.

Q: Is there anything I can do to increase the expected life of my heater?

A: You should run a System Maintainer through the system to keep the hoses and heater clean and free of debris.

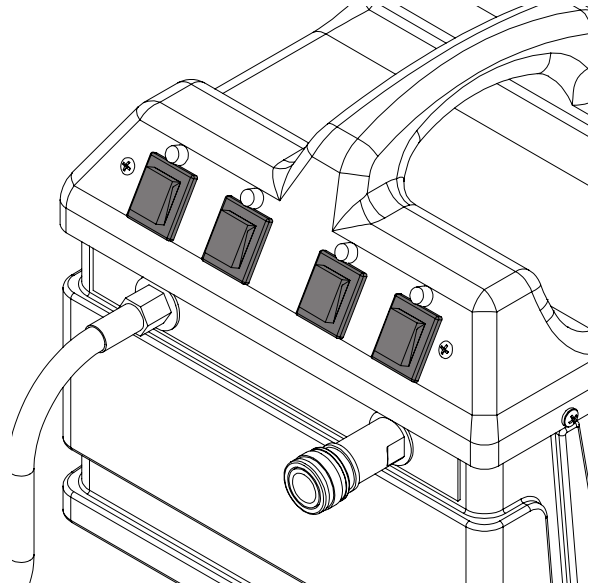
240-120 MYTEE HOT TURBO™ SETUP

240-120 FRONT



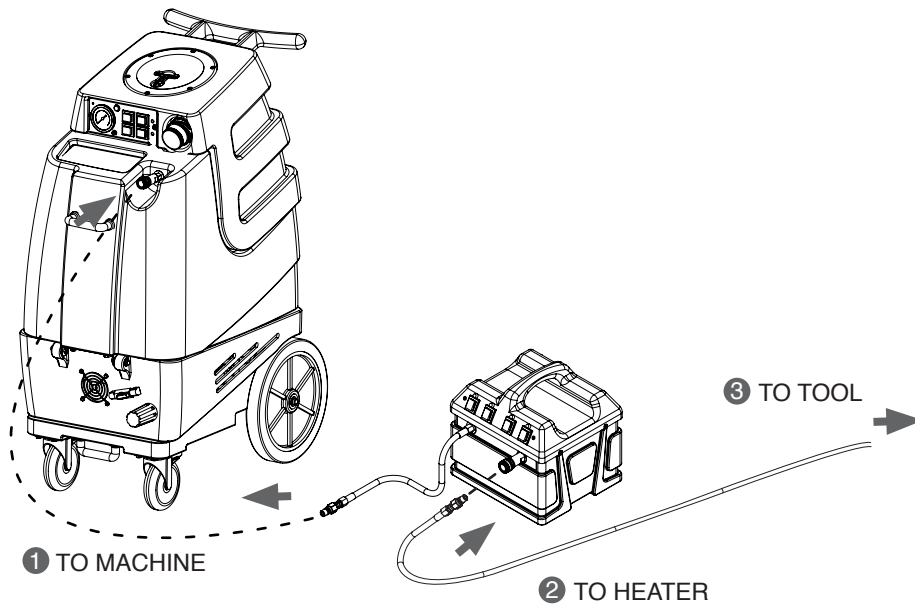
1. Inlet quick disconnect - Hooks to extractor
2. Hot water outlet
3. 20 amp power cord
4. Power switches - 5 amps each

240-120 SWITCHES



Unit can be run with 1, 2, 3, or 4 heater switches on. Each switch controls 600 watts of the heater (5 amps).

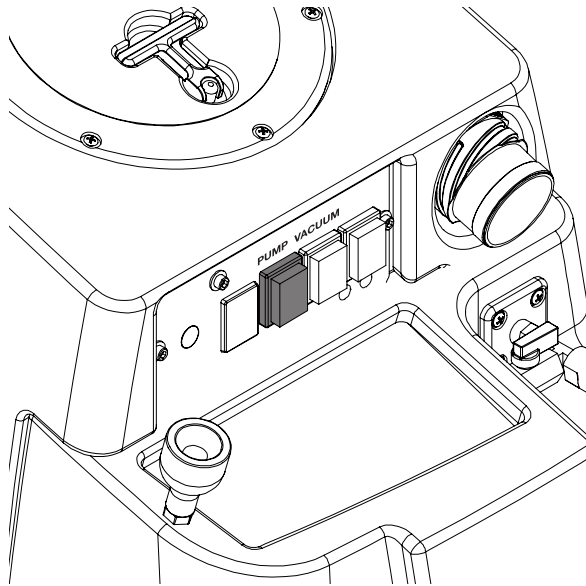
CONNECTING MYTEE HOT TURBO TO AN EXTRACTOR



1. Heater's solution hose connects to extractor's female quick disconnect.
2. Attach one end of solution hose to heater's female quick disconnect.
3. Attach other end of solution hose to your extractor tool's male quick disconnect.

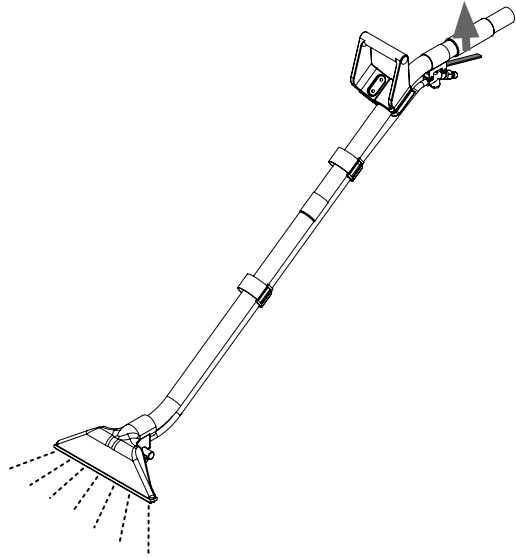
240-120 MYTEE HOT TURBO™ OPERATION

TURN ON EXTRACTOR'S PUMP



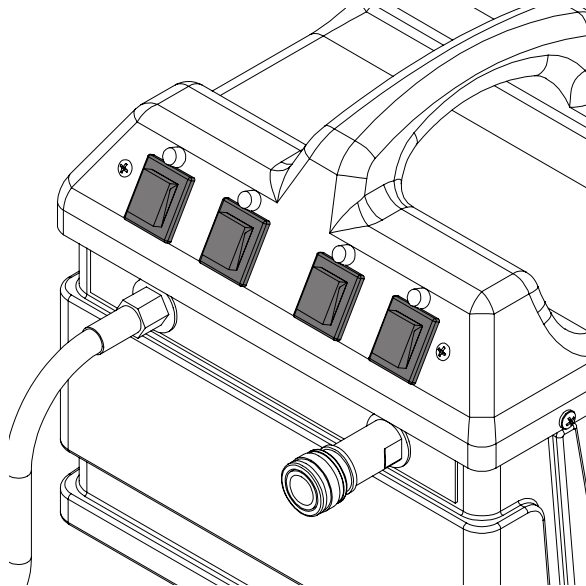
After your extractor, Mytee Hot Turbo, and cleaning tool are hooked up and plugged in, turn on your extractor's pump.

PRIME THE PUMP



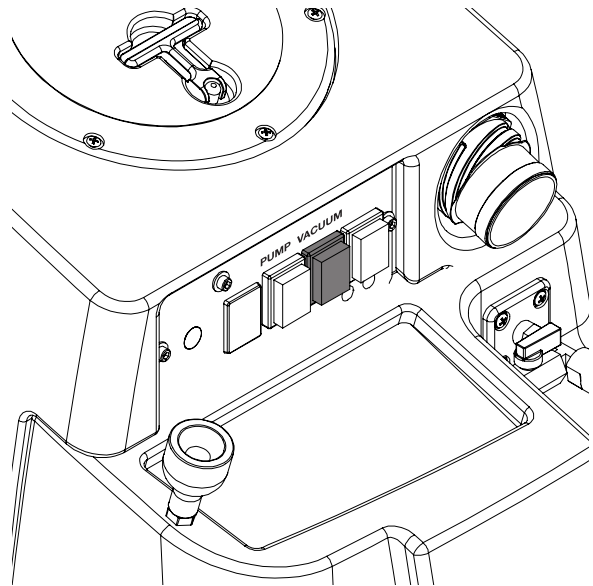
Prime the pump by squeezing the trigger on your cleaning tool until there is a steady spray.

TURN ON MYTEE HOT TURBO



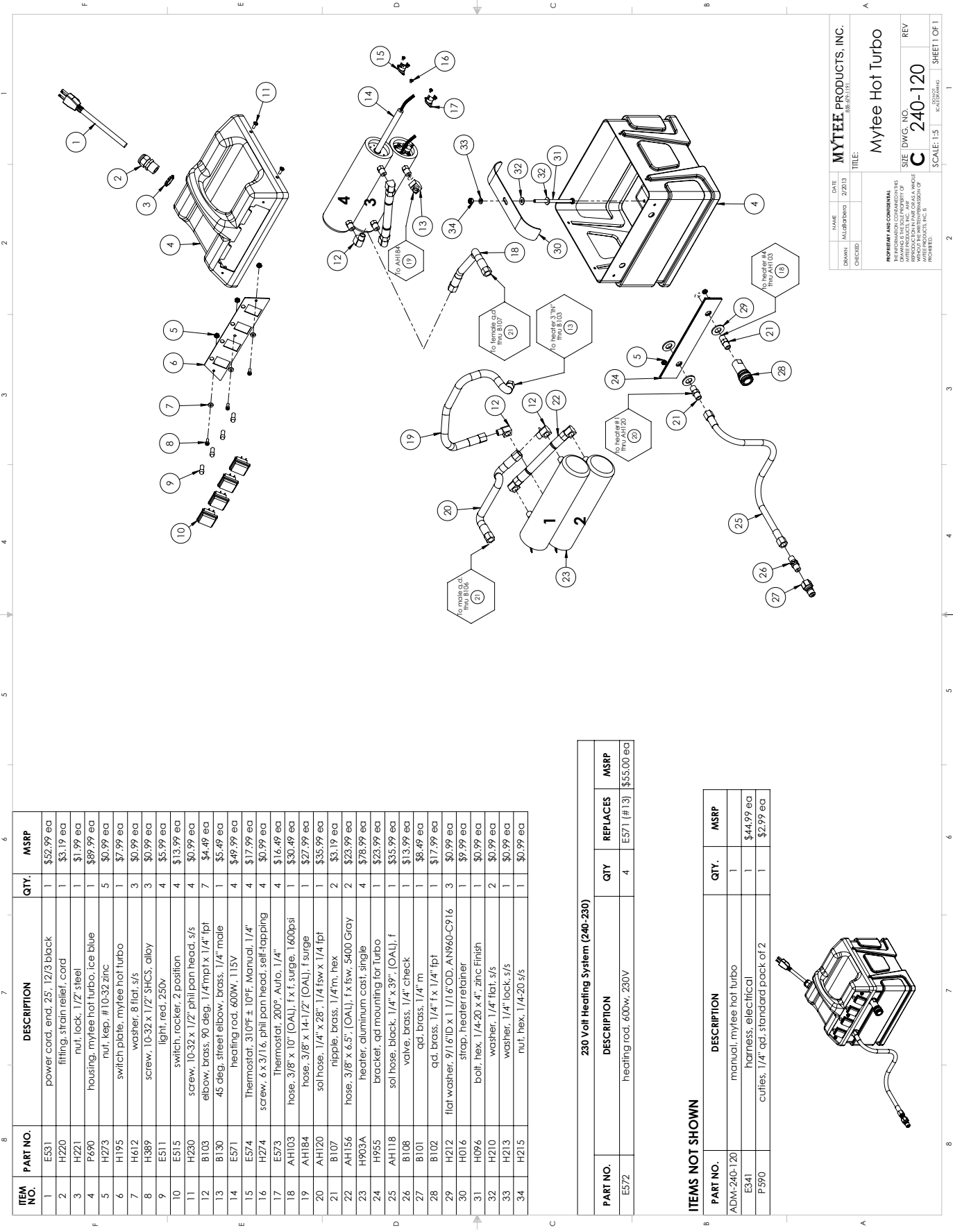
Turn on the Mytee Hot Turbo. Remember, each switch draws 5 amps. Wait about 5-7 minutes for solution to heat up. Squeeze the trigger on the cleaning tool until heated solution begins spraying.

BEGIN CLEANING



Turn on your extractor's vacuum(s) and begin cleaning. Mytee recommends cleaning using two dry passes for every wet pass you make. This gives the Mytee Hot Turbo a chance to heat up more solution in between wet passes.

240-120 MYTEE HOT TURBO™ PARTS & PRICING



NAME	DATE	MYTEE PRODUCTS, INC. 886/21191
DRAWN	2/2013	
CHECKED		TITLE:
		Mytee Hot Turbo
		SIZE DWG. NO.
		C 240-120
		REV
		1
		SHEET 1 OF 1

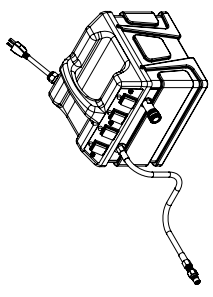
WARNING AND COMMENTS:
 THE INFORMATION CONTAINED HEREIN IS THE PROPERTY OF MYTEE PRODUCTS, INC. AND IS UNCLASSIFIED. IT IS TO BE USED ONLY FOR THE PURPOSES AND IN THE MANNER SPECIFIED BY MYTEE PRODUCTS, INC.

ITEM NO.	PART NO.	DESCRIPTION	QTY.	MSRP
1	E531	power cord, end, 25', 12/3 black	1	\$32.99 ea
2	H220	filing, strain relief, cord	1	\$3.19 ea
3	H221	nut, lock, 1/2" steel	1	\$1.99 ea
4	P690	housing, mytee hot turbo, ice blue	1	\$89.99 ea
5	H273	nut, kep, #10-32 zinc	5	\$0.99 ea
6	H195	switch plate, mytee hot turbo	1	\$7.99 ea
7	H412	washer, 8 flat, s/s	3	\$0.99 ea
8	H389	screw, 10-32 x 1/2" SHCS, alloy	3	\$0.99 ea
9	E511	light, red, 250w	4	\$5.99 ea
10	E515	switch, rocker, 2 position	4	\$13.99 ea
11	H230	screw, 10-32 x 1/2" phill pan head, s/s	4	\$0.99 ea
12	B103	elbow, brass, 90 deg, 1/4" mpt x 1/4" fpt	7	\$4.49 ea
13	B130	45 deg, street elbow, brass, 1/4" male	1	\$5.49 ea
14	E571	heating rod, 600W, 115V	4	\$49.99 ea
15	E574	Thermostat, 310°F ± 10°F, Manual, 1/4"	4	\$17.99 ea
16	H274	screw, 6 x 3/16, phill pan head, self-tapping	4	\$0.99 ea
17	E573	Thermostat, 200°, Auto, 1/4"	4	\$16.49 ea
18	AH103	hose, 3/8" x 10" [OAL], f x f, surge, 1600psi	1	\$30.49 ea
19	AH184	hose, 3/8" x 14-1/2" [OAL], f surge	1	\$27.99 ea
20	AH120	sol hose, 1/4" x 28", 1/4 fsw x 1/4 fpt	1	\$35.99 ea
21	B107	nipple, brass, 1/4"m, hex	2	\$3.19 ea
22	AH156	hose, 3/8" x 6.5", [OAL], f x fsw, 5400 Gray	2	\$23.99 ea
23	H903A	heater, aluminum cast, single	4	\$78.99 ea
24	H955	bracket, qd mounting for turbo	1	\$23.99 ea
25	AH118	sol hose, black, 1/4" x 39", [OAL], f	1	\$35.99 ea
26	B108	valve, brass, 1/4" check	1	\$13.99 ea
27	B101	qd, brass, 1/4" m	1	\$8.49 ea
28	B102	qd, brass, 1/4" x 1/4" fpt	1	\$17.99 ea
29	H212	flat washer, 3/16" ID x 1 1/16" OD, A1940-C916	3	\$0.99 ea
30	H016	strap, heater retainer	1	\$9.99 ea
31	H096	ball, hex, 1/4-20 x 4", zinc finish	1	\$0.99 ea
32	H210	washer, 1/4" flat, s/s	2	\$0.99 ea
33	H213	washer, 1/4" lock, s/s	1	\$0.99 ea
34	H215	nut, hex, 1/4-20 s/s	1	\$0.99 ea

230 Volt Heating System (240-230)				
PART NO.	DESCRIPTION	QTY	REPLACES	MSRP
E572	heating rod, 600w, 230V	4	E571 (#13)	\$55.00 ea

ITEMS NOT SHOWN

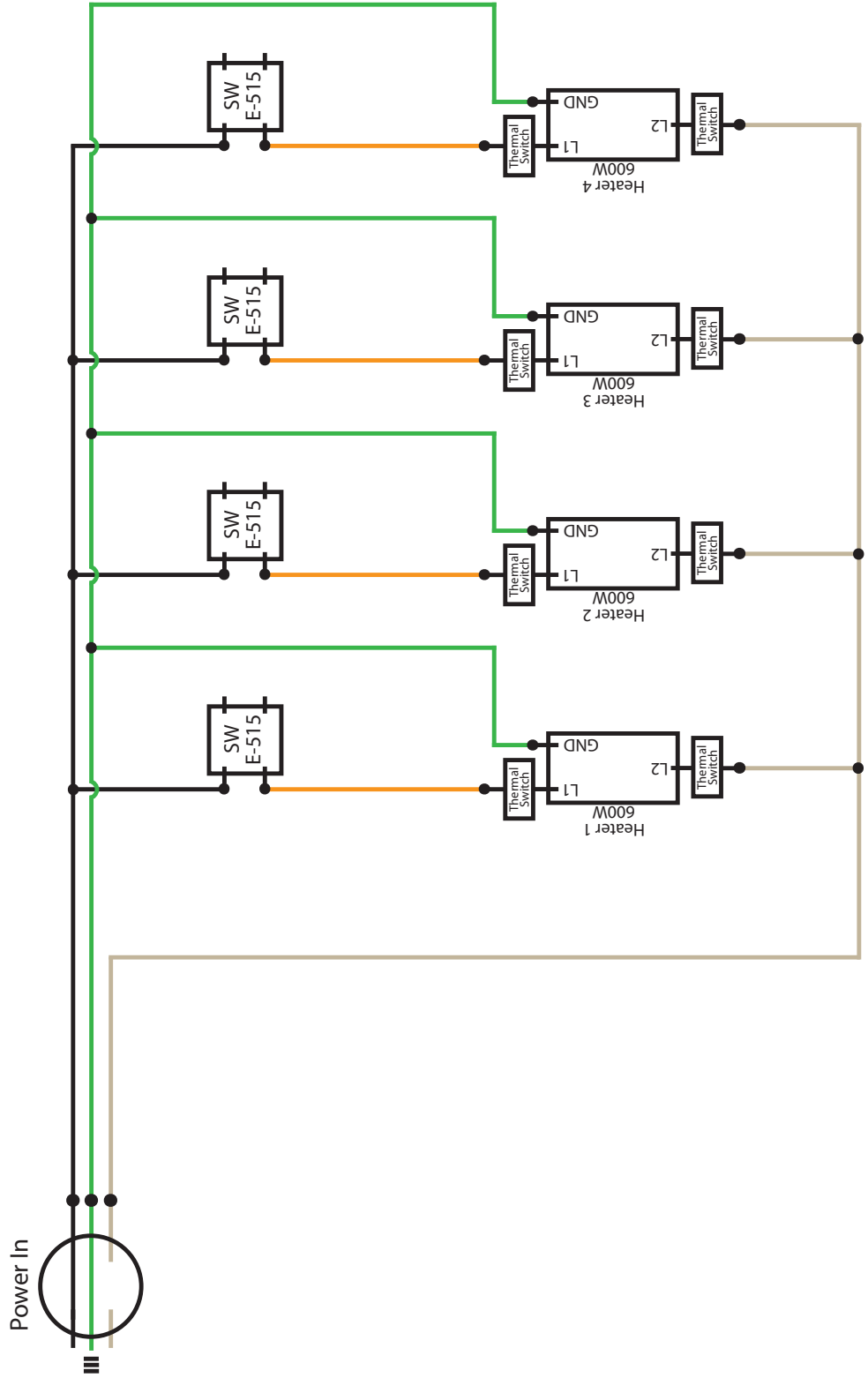
PART NO.	DESCRIPTION	QTY.	MSRP
ADM-240-120	manual, mytee hot turbo	1	
E341	harness, electrical	1	\$44.99 ea
P590	cuties, 1/4" qd, standard pack of 2	1	\$2.99 ea



240-120 MYTEE HOT TURBO™ WIRING DIAGRAM

Hot Turbo 240-120 115 Volt System

Wire Legend	
	= White Wire
	= Green Wire
	= Orange Wire
	= Black Wire



NOTES



Mytee Products Inc.
13655 Stowe Dr.
Poway, CA 92064
www.mytee.com

© 2016 Mytee Products Inc.
Printed in the U.S.A.