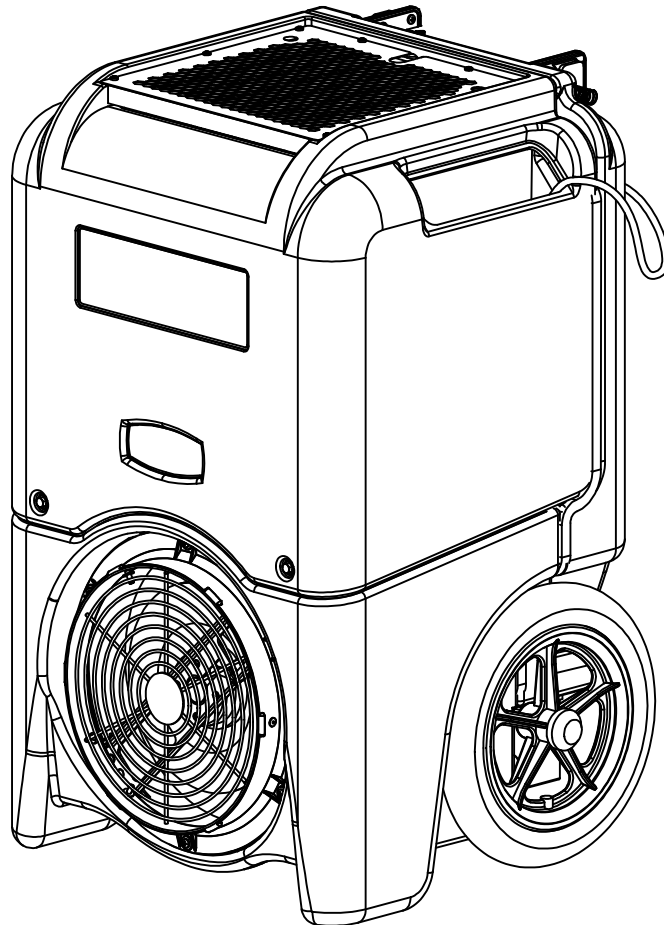
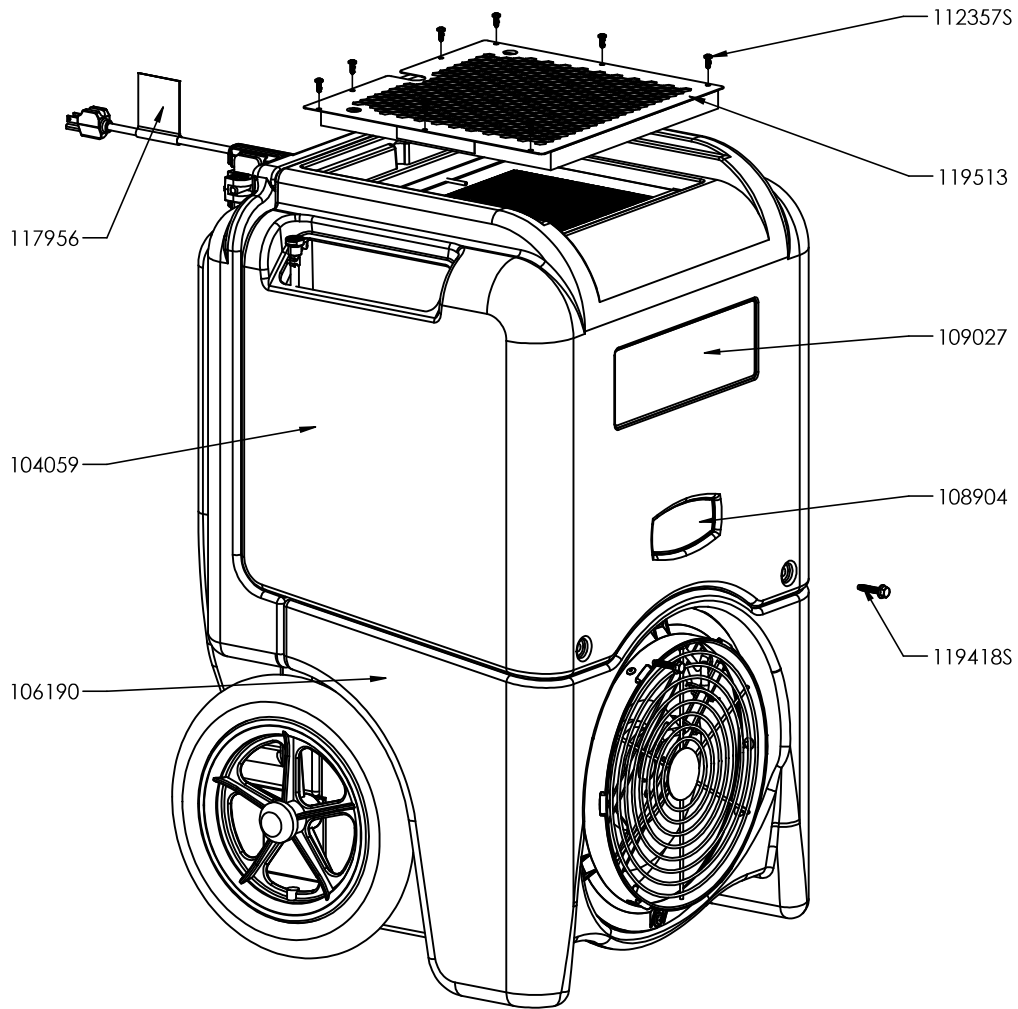


LGR 7000 XLi

LOW GRAIN REFRIGERANT DEHUMIDIFIER

MANUFACTURING DATE: Pre-03/2023

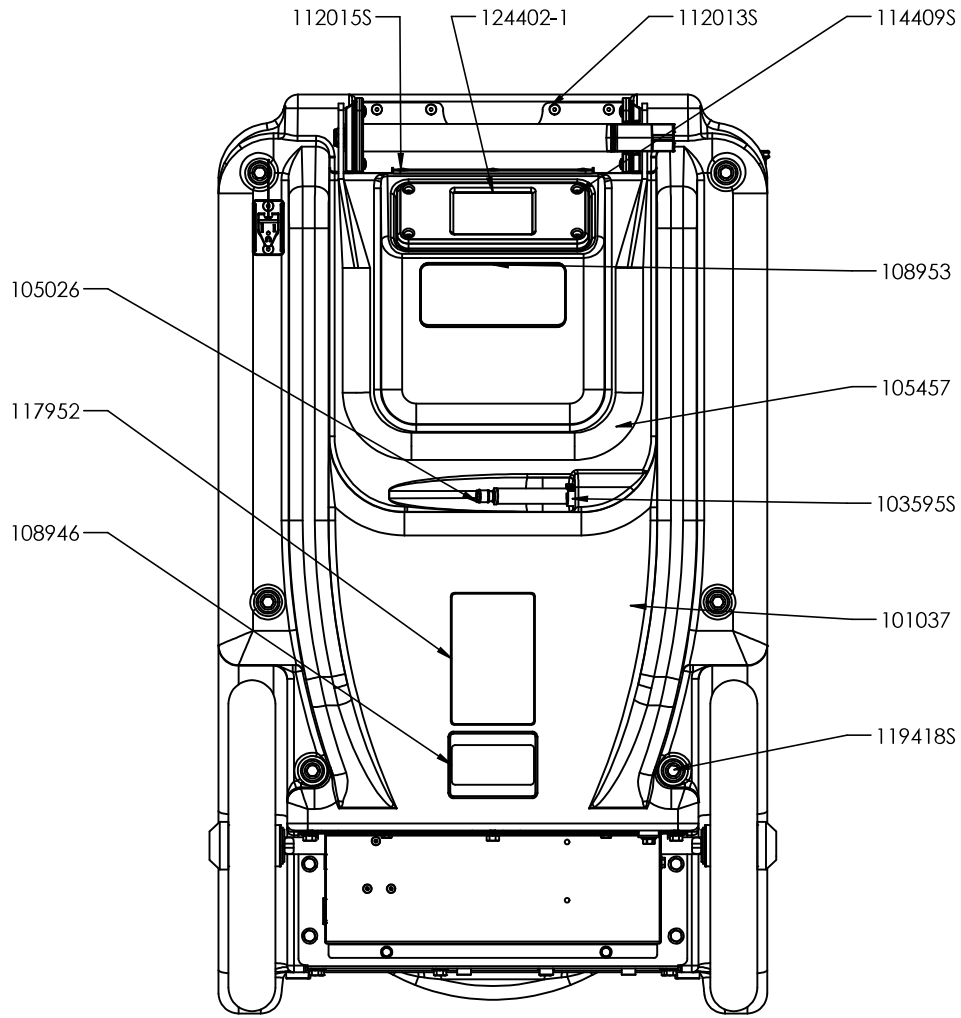




OUTER ASSEMBLY

| PART NO. | QTY | UNIT | DESCRIPTION |
|----------|-----|------|------------------------------------------|
| 119513 | 1 | EA | SHROUD - FILTER PC WR BLK |
| 119418S | 2 | EA | SCREW - M6 X 30MM HWH NYLOC XYP MATPOINT |
| 117956 | 1 | EA | LABEL - WARNING POWER CORD DEHUS |
| 112357S | 8 | EA | SCREW - #8 X 1/2 PHIL PH ZP |
| 109027 | 1 | EA | LABEL - PRODUCT LGR 7000XLI (QR) |
| 108904 | 1 | EA | LABEL - BADGE |
| 106190 | 1 | EA | BASE - POLYETHYLENE FLINT GRY |
| 104059 | 1 | EA | COVER - POLYETHYLENE FISHER BLU |

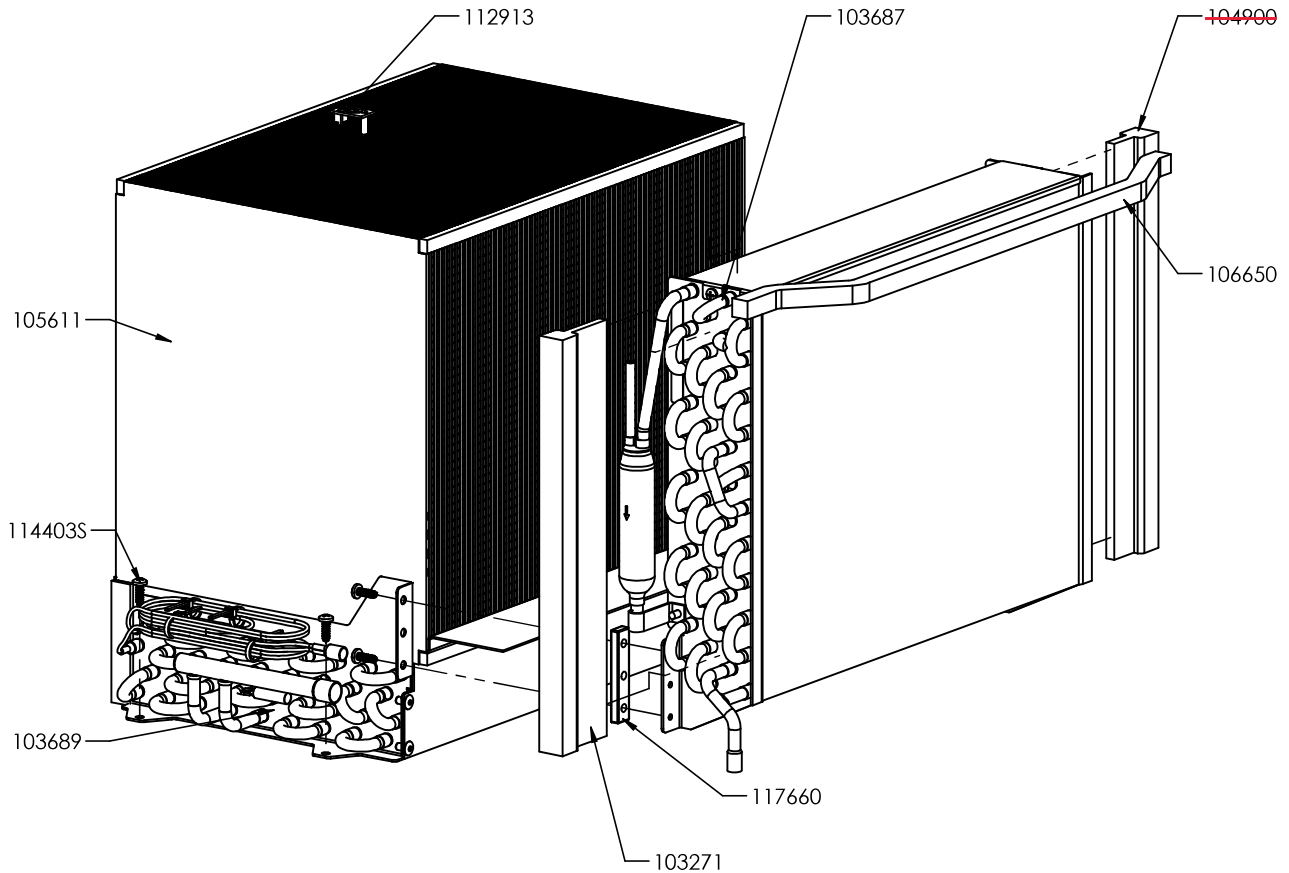
Parts are available through Legend Brands distributors. To locate a distributor near you, visit www.legendbrands.com/how-to-buy/dealer-directory
 For technical questions, visit info.LegendBrands.com or email service@legendbrandsrestoration.com



REAR PANEL ASSEMBLY

| PART NO. | QTY | UNIT | DESCRIPTION |
|----------|-----|------|---------------------------------------------------|
| 124402 | 1 | EA | KIT – COMMAND HUB |
| 119418S | 6 | EA | SCREW - M6 X 30MM HWH NYLOC XYP MATPOINT |
| 117952 | 1 | EA | LABEL - WARNING DEHUS |
| 114409S | 4 | EA | SCREW - #6 X 1/2 AB PHP ZP |
| 113646 | 1 | EA | TEE, ¼ JIC MALE BR |
| 112015S | 3 | EA | RIVET - 3/16 X 5/8 TRI FOLD AL/AL |
| 112013S | 4 | EA | RIVET - 3/16 X 3/8 TRI FOLD AL/AL |
| 108953 | 1 | EA | LABEL - OPERATING INSTRUCTIONS DEHUS |
| 108946 | 1 | EA | LABEL - MODEL SERIAL CETL |
| 105457 | 1 | EA | HANDLE ASSEMBLY |
| 105026 | 1 | EA | FITTING - QUICK DISCONNECT INSERT 3/8 BARB (MALE) |
| 103595S | 1 | EA | CLAMP - HOSE .5 BLK |
| 101037 | 1 | EA | BACK PANEL - POLYETHYLENE FLINT GRY |

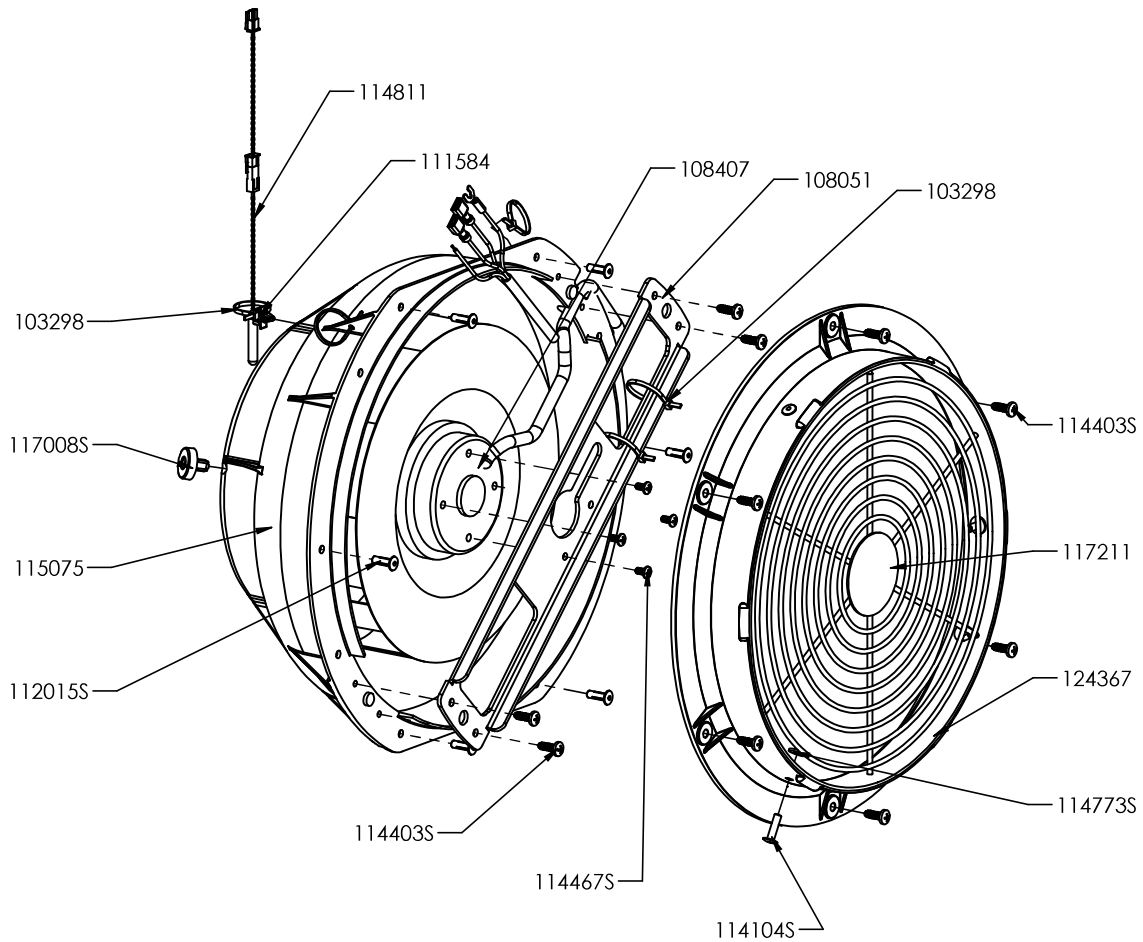
Parts are available through Legend Brands distributors. To locate a distributor near you, visit www.legendbrands.com/how-to-buy/dealer-directory
 For technical questions, visit info.LegendBrands.com or email service@legendbrandsrestoration.com



REFRIGERATION ASSEMBLY

| PART NO. | QTY | UNIT | DESCRIPTION |
|----------|------|------|------------------------------------------|
| 117660 | 2 | EA | INSULATOR BLOCK |
| 114403S | 4 | EA | SCREW - #10 X .625 PHP ZP |
| 112913 | 1 | EA | SENSOR ASSY - TEMP/RH SHT31 15" |
| 106650 | 18.8 | IN | GASKET - 1/2 X 1/2 PVC PSA |
| 105611 | 4 | EA | HEAT EXCHANGER BLOCK 7000XLI |
| 104900 | 1 | EA | FILTER, FUEL 1/4FP BS OIL BURN |
| 103689 | 1 | EA | COIL ASSY - EVAPORATOR 410A LGR 7000XLI |
| 103687 | 1 | EA | COIL ASSY - CONDENSER 410A LGR 7000XLI |
| 103271 | 1 | EA | BULKHEAD - COND SHROUD LS (LGR 7000 XLI) |

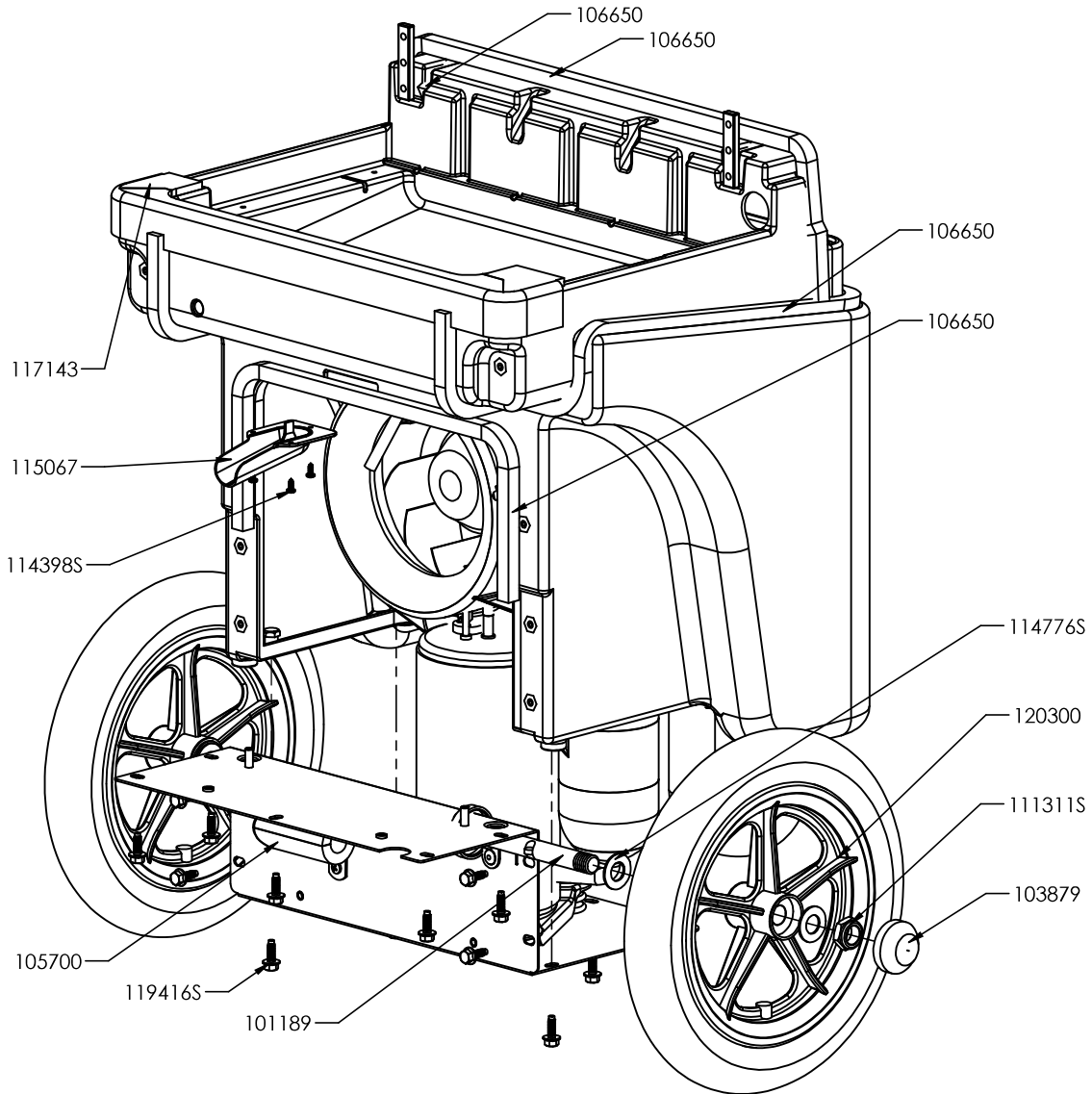
Parts are available through Legend Brands distributors. To locate a distributor near you, visit www.legendbrands.com/how-to-buy/dealer-directory
 For technical questions, visit info.LegendBrands.com or email service@legendbrandsrestoration.com



BLOWER SHROUD ASSEMBLY

| PART NO. | QTY | UNIT | DESCRIPTION |
|----------|-----|------|-------------------------------------------------|
| 124367 | 1 | EA | DUCT RING - 12" DIA ABS BLK |
| 117211 | 1 | EA | GRILL - OUTLET PC GL BLK |
| 117008S | 1 | EA | FOOT - ROUND PUSH MOUNT .83 OD X .24 RUBBER BLK |
| 115075 | 1 | EA | FAN SHROUD - MOTORIZED IMPELLER ABS BLK |
| 114811 | 1 | EA | SENSOR - CABLE ASSY |
| 114773S | 3 | EA | WASHER - 3/16 RIVET .19 ID X .47 OD X .05 ZP |
| 114467S | 4 | EA | SCREW - M4 X 8MM PHP NYLOC ZP |
| 114403S | 10 | EA | SCREW - #10 X .625 PHP ZP |
| 114104S | 3 | EA | RIVET - 3/16 X 1/2 AL/AL BLK ANOD |
| 112015S | 6 | EA | RIVET - 3/16 X 5/8 TRI FOLD AL/AL |
| 111584 | 1 | EA | PUSH MOUNT - NYLON TIE |
| 108407 | 1 | EA | KIT - BLOWER RETROFIT LGR2800i 3500i 7000XLi |
| 108051 | 1 | EA | BRACKET - MOTORIZED IMPELLER GALV STL |
| 103298 | 6 | EA | CABLE TIE - 6 NYLON |

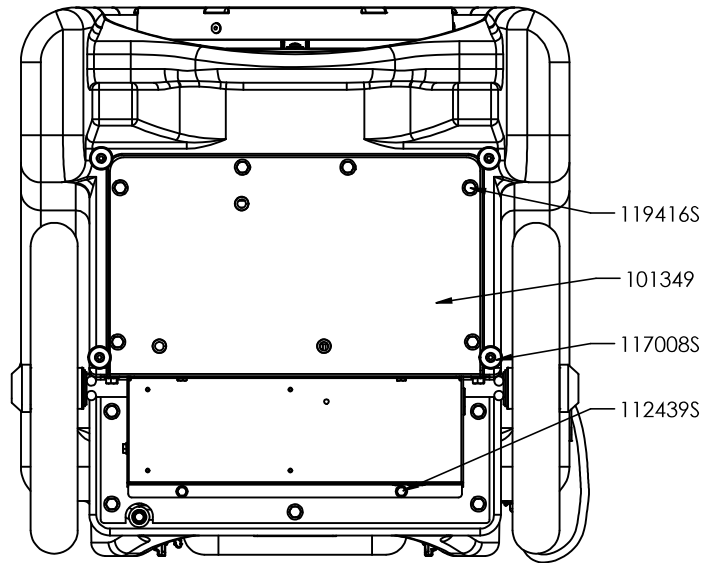
Parts are available through Legend Brands distributors. To locate a distributor near you, visit www.legendbrands.com/how-to-buy/dealer-directory
 For technical questions, visit info.LegendBrands.com or email service@legendbrandsrestoration.com



BASE ASSEMBLY

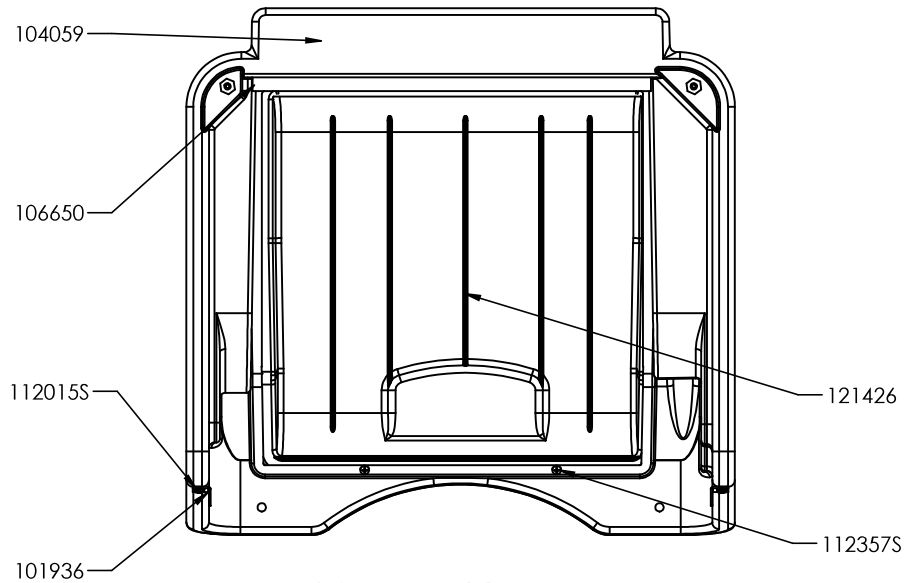
| PART NO. | QTY | UNIT | DESCRIPTION |
|----------|-------|------|---------------------------------------------|
| 120300 | 2 | EA | WHEEL - 12 X 2 X 5/8 BORE GRY |
| 119416S | 13 | EA | SCREW - M6 X 18MM HWH NYLOC XYP MATPOINT |
| 117143 | 1 | EA | GASKET - BASE BACK SHELF (LGR 7000XLI) |
| 115067 | 1 | EA | DRAIN SPOUT - PP BLACK |
| 114776S | 4 | EA | WASHER - 5/8 AN .640 ID X 1.187 OD X .06 SS |
| 114398S | 3 | EA | SCREW - #6 X3/8 PHIL PH ZP |
| 111311S | 2 | EA | NUT - 5/8-11 UNC THIN ZP |
| 106650 | 121.5 | IN | GASKET - 1/2 X 1/2 PVC PSA |
| 105700 | 1 | EA | GROMMET - 90 DEGREE FOAM |
| 103879 | 2 | EA | DUST CAP - 12 OD WHEEL NYLON BLK |
| 101189 | 1 | EA | AXLE ASSEMBLY -5/8 OD ZP STL LGR 7000XLI |

Parts are available through Legend Brands distributors. To locate a distributor near you, visit www.legendbrands.com/how-to-buy/dealer-directory
 For technical questions, visit info.LegendBrands.com or email service@legendbrandsrestoration.com



BOTTOM ASSEMBLY

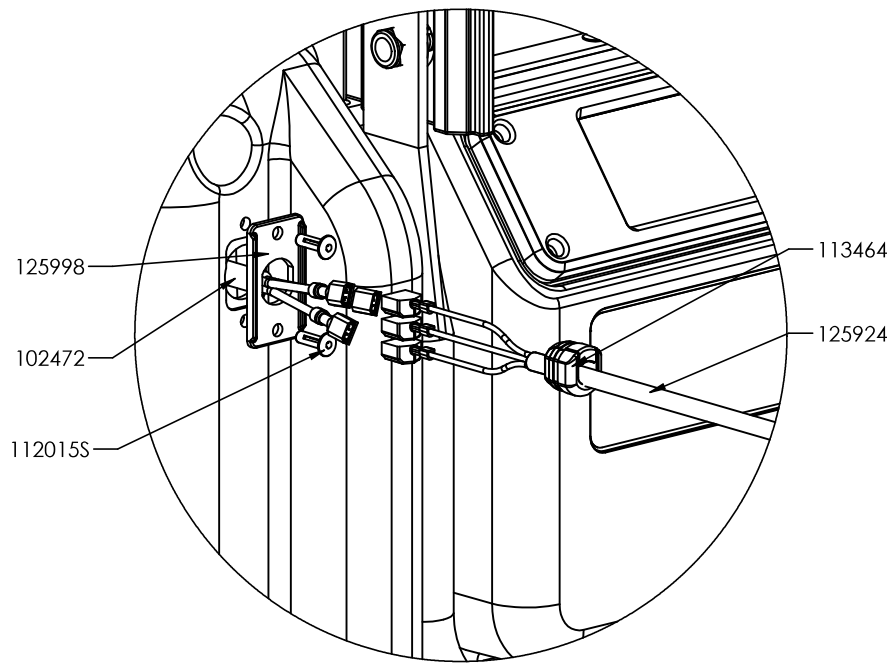
| PART NO. | QTY | UNIT | DESCRIPTION |
|----------|-----|------|-------------------------------------------------|
| 119416S | 11 | EA | SCREW - M6 X 18MM HWH NYLOC XYP MATPOINT |
| 117008S | 4 | EA | FOOT - ROUND PUSH MOUNT .83 OD X .24 RUBBER BLK |
| 112349S | 4 | EA | SCREW - #4 X 5/8 CH PHIL ZP |
| 101349 | 1 | EA | BASE (LGR 7000XLI) |



COVER ASSEMBLY

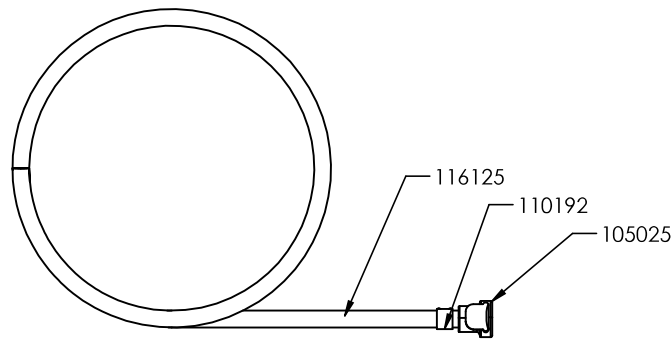
| PART NO. | QTY | UNIT | DESCRIPTION |
|----------|------|------|-------------------------------------------|
| 121426 | 1 | EA | TRAY - COVER INSERT BLK |
| 112357S | 3 | EA | SCREW - #8 X 1/2 PHIL PH ZP |
| 112015S | 4 | EA | RIVET - 3/16 X 5/8 TRI FOLD AL/AL |
| 106650 | 46.8 | IN | GASKET - 1/2 X 1/2 PVC PSA |
| 104059 | 1 | EA | COVER - POLYETHYLENE FISHER BLU |
| 101936 | 2 | EA | BRACKET - COVER CORNER CLIP (LGR 7000XLI) |

Parts are available through Legend Brands distributors. To locate a distributor near you, visit www.legendbrands.com/how-to-buy/dealer-directory
 For technical questions, visit info.LegendBrands.com or email service@legendbrandsrestoration.com



POWER CORD ASSEMBLY

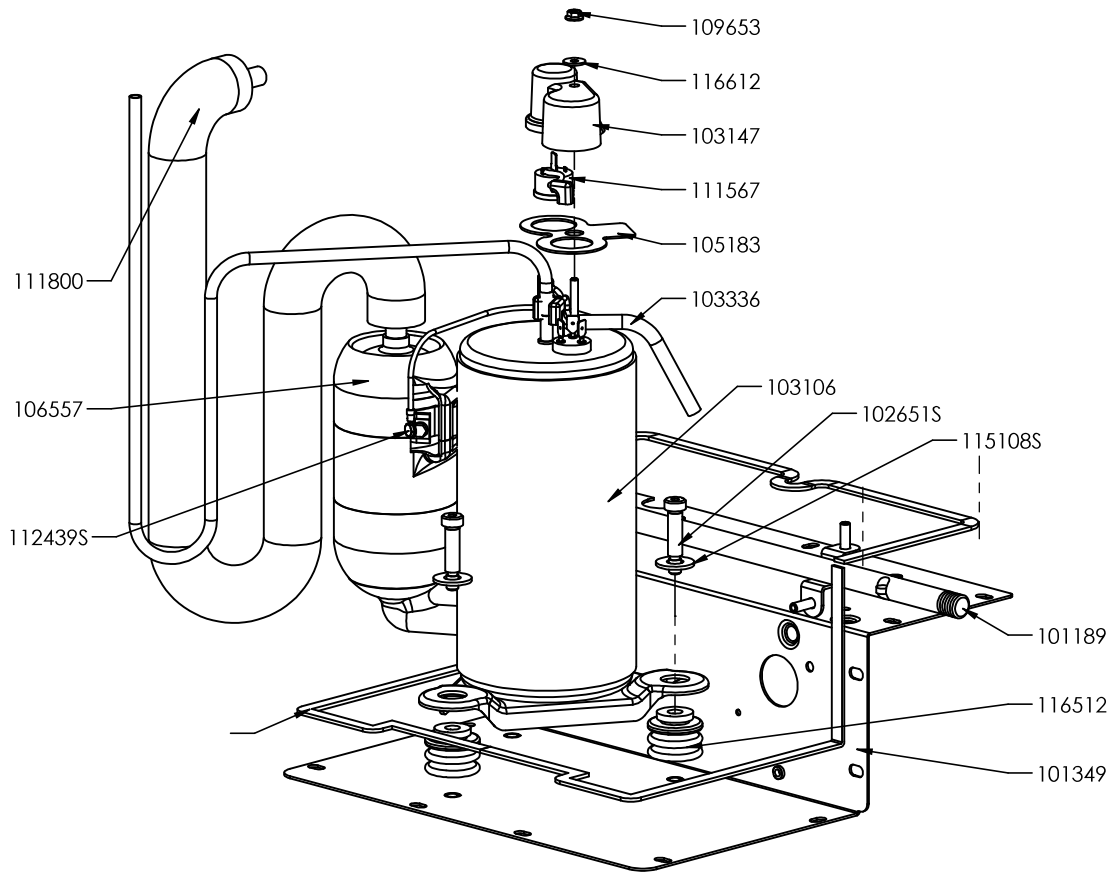
| PART NO. | QTY | UNIT | DESCRIPTION |
|----------|-----|------|--------------------------------------------------|
| 125998 | 1 | EA | PLATE - HEYCO MOUNT .125 WALL ABS BLK |
| 125924 | 1 | EA | POWER CORD ASSY - 14/3 SJTW 5-15P 4 IN ROJ 25 FT |
| 113464 | 1 | EA | STRAIN RELIEF - .370 DIA X .13 BLK |
| 112015S | 2 | EA | RIVET - 3/16 X 5/8 TRI FOLD AL/AL |
| 102472 | 1 | EA | CABLE - POWER CORD, 7000XLI |



HOSE ASSEMBLY

| PART NO. | QTY | UNIT | DESCRIPTION |
|----------|-----|------|---------------------------------------------------|
| 116125 | 1 | EA | TUBE - 1/4 ID X 3/8 OD X 40FT VINYL |
| 110192 | 1 | EA | CLAMP - 3/8 ID HOSE GRN |
| 105025 | 1 | EA | FITTING - QUICK DISCONNECT BODY 1/4 BARB (FEMALE) |

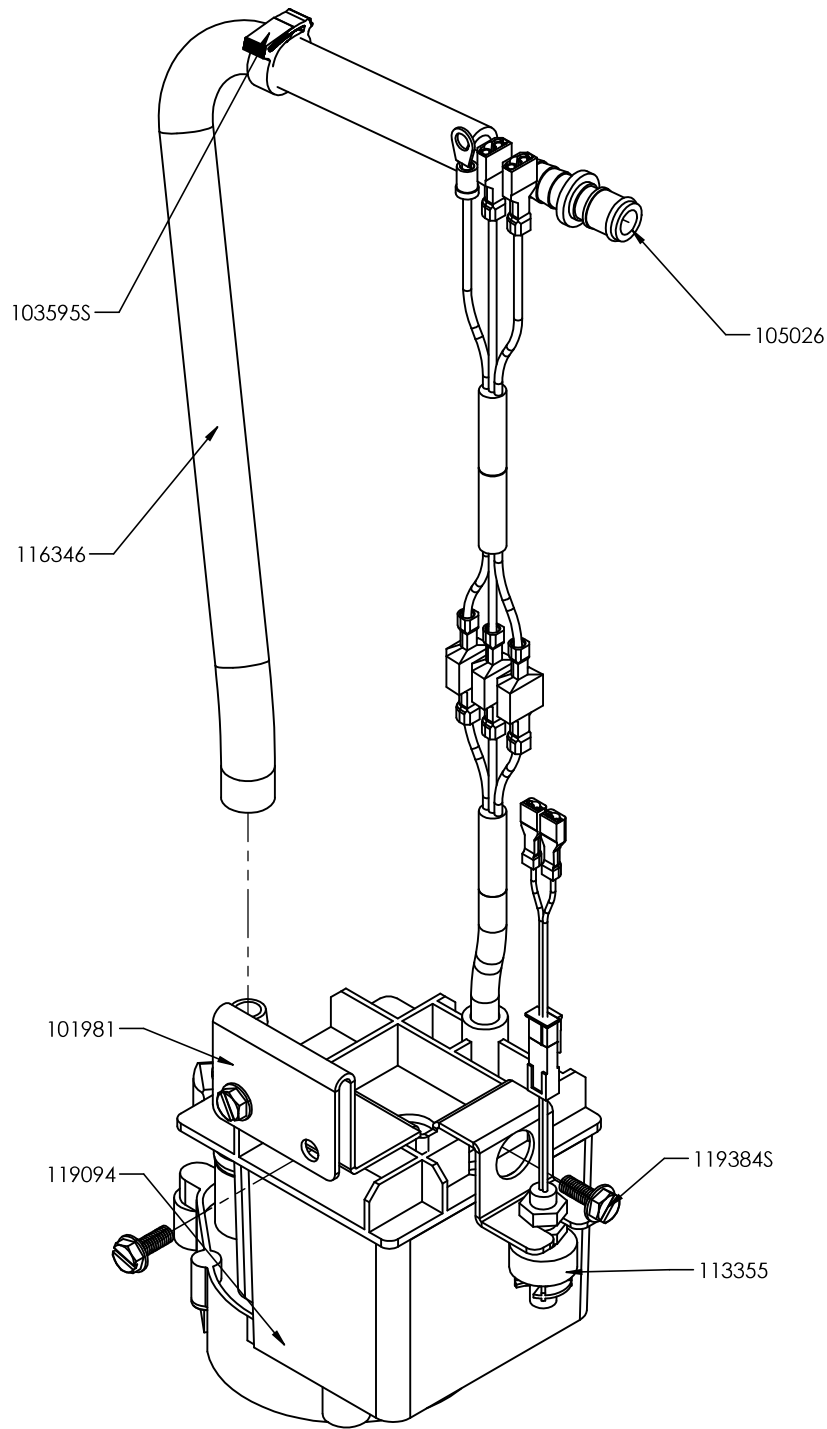
Parts are available through Legend Brands distributors. To locate a distributor near you, visit www.legendbrands.com/how-to-buy/dealer-directory
 For technical questions, visit info.LegendBrands.com or email service@legendbrandsrestoration.com



COMPRESSOR ASSEMBLY

| PART NO. | QTY | UNIT | DESCRIPTION |
|----------|-----|------|----------------------------------------------------|
| 116612 | 1 | EA | WASHER - COMPRESSOR TERMINAL 115V LG 8600-R410A |
| 116512 | 3 | EA | VIBRATION MOUNT - COMPRESSOR 115V LG 8600-R410A |
| 115108S | 3 | EA | WASHER - 3/8 USS .43 ID X 1.00 OD X .08 ZP |
| 112439S | 1 | EA | SCREW - #10-24 X 3/8 HWH SER ZP |
| 111800 | 1 | EA | REFRIGERATION LINES - 115V |
| 111567 | 1 | EA | OVERLOAD - COMPRESSOR 115V LG 8600-R410A |
| 109653 | 1 | EA | NUT - COMPRESSOR TERMINAL COVER 115V LG 8600 R410A |
| 106557 | 46 | IN | INSULATION - CORK TAPE 2 X .13 PT1 (30 FT/RL) |
| 105183 | 1 | EA | GASKET - COMPRESSOR TERMINAL 115V LG 8600-R410A |
| 103336 | 1 | EA | CORD SET - COMPRESSOR |
| 103147 | 1 | EA | COVER - COMPRESSOR TERMINAL - 115V LG 8600-R410A |
| 103106 | 1 | EA | COMPRESSOR - ROTARY 115V LG 8600 R410A |
| 102651S | 3 | EA | BOLT - SHOULDER 5/16-18 X 3/8 X 1.25 |
| 101349 | 1 | EA | BASE (LGR 7000XLI) |
| 101189 | 1 | EA | AXLE ASSEMBLY -5/8 OD ZP STL LGR 7000XLI |

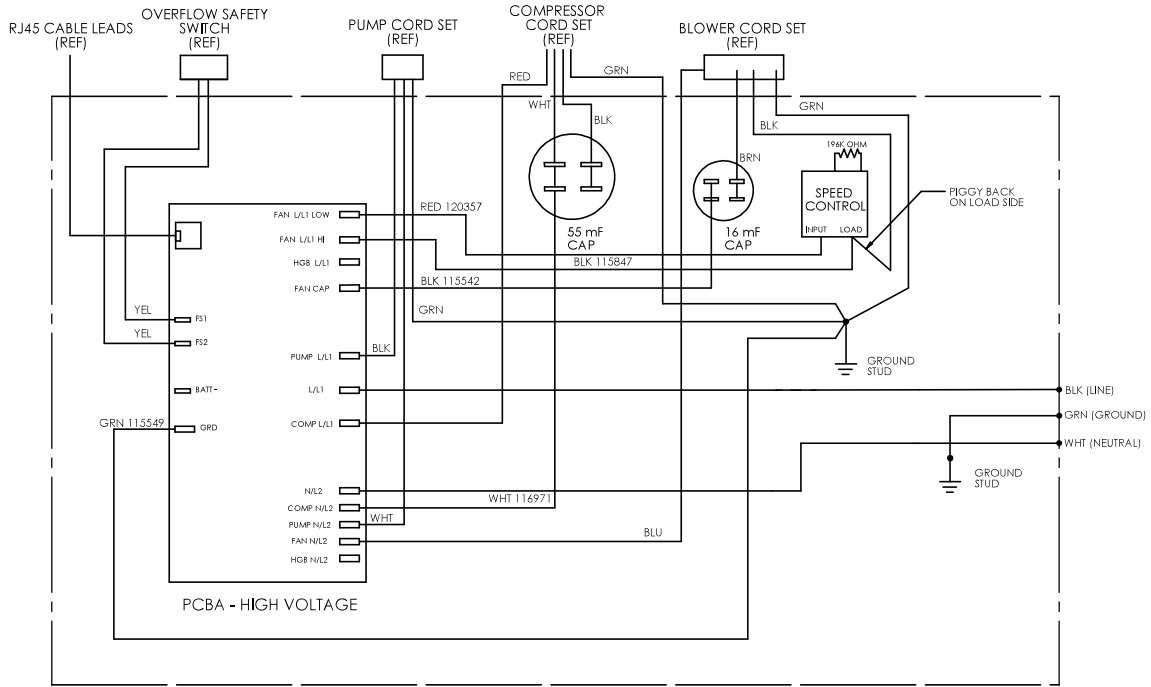
Parts are available through Legend Brands distributors. To locate a distributor near you, visit www.legendbrands.com/how-to-buy/dealer-directory
 For technical questions, visit info.LegendBrands.com or email service@legendbrandsrestoration.com



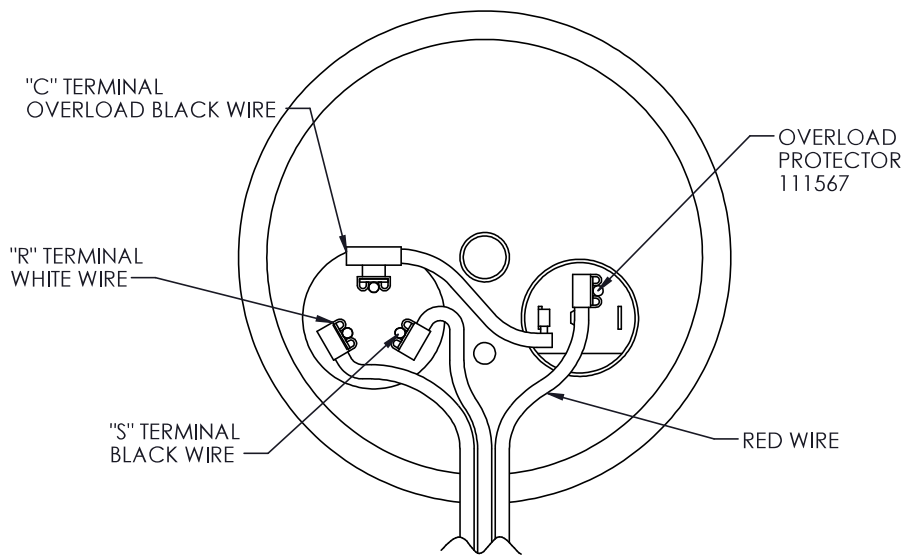
PUMP ASSEMBLY

| PART NO. | QTY | UNIT | DESCRIPTION |
|----------|-----|------|------------------------------------------------------|
| 119384S | 3 | EA | SCREW - #10-32 X 1/2 TC HWH SS |
| 119094 | 1 | EA | PUMP - SUBMERSIBLE 115V 1.3 GPM 4FT CORD |
| 116346 | 20 | IN | TUBING - 3/8 X 5/8 OD BRAIDED PVC |
| 113355 | 1 | EA | SWITCH - SPLIT MAGNETIC FLOAT |
| 105026 | 1 | EA | FITTING - QUICK DISCONNECT INSERT 3/8 BARB (MALE) |
| 103595S | 1 | EA | CLAMP - HOSE .5 BLK |
| 101981 | 1 | EA | BRACKET - MOUNTING PUMP & OVERFLOW SWITCH LGR 7000XI |

Parts are available through Legend Brands distributors. To locate a distributor near you, visit www.legendbrands.com/how-to-buy/dealer-directory
 For technical questions, visit info.LegendBrands.com or email service@legendbrandsrestoration.com



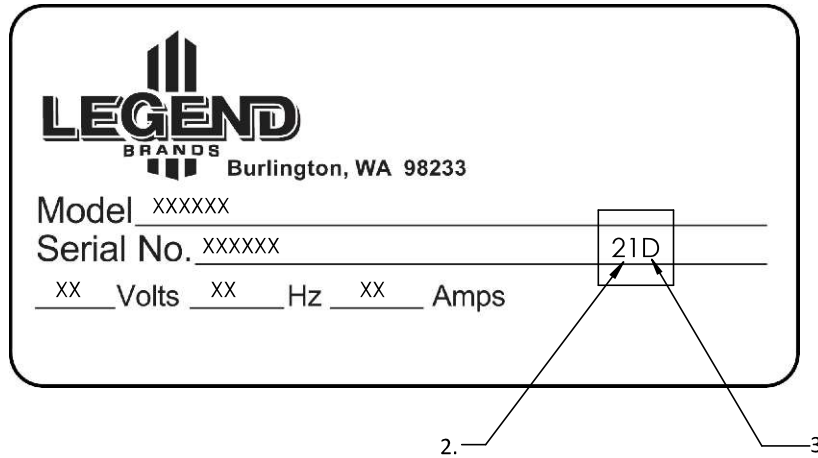
WIRING SCHEMATIC



COMPRESSOR WIRING DETAIL

Parts are available through Legend Brands distributors. To locate a distributor near you, visit www.legendbrands.com/how-to-buy/dealer-directory
 For technical questions, visit info.LegendBrands.com or email service@legendbrandsrestoration.com

DATE CODE LEGEND



1. THE DATE CODE CAN BE FOUND ON THE RIGHT SIDE OF THE SERIAL NUMBER LINE
2. THE FIRST PORTION OF THE DATE CODE REPRESENTS THE LAST TWO DIGITS OF THE YEAR IN WHICH THE PRODUCT WAS MANUFACTURED
3. THE SECOND PORTION OF THE DATE CODE REPRESENTS THE MONTH IN WHICH THE PRODUCT WAS MANUFACTURED. THE MONTHS ARE REPRESENTED BY LETTERS OUTLINED IN THE TABLE BELOW.

| LETTER | MONTH |
|--------|-----------|
| A | JANUARY |
| B | FEBRUARY |
| C | MARCH |
| D | APRIL |
| E | MAY |
| F | JUNE |
| G | JULY |
| H | AUGUST |
| I | SEPTEMBER |
| J | OCTOBER |
| K | NOVEMBER |
| L | DECEMBER |

NOTE:
SERIAL LABEL DETAILS (I.E. BRANDING, SPECIFICATIONS, ETC.) ARE SUBJECT TO CHANGE BASED ON THE PRODUCT