



**IPC Integrated Professional Cleaning**

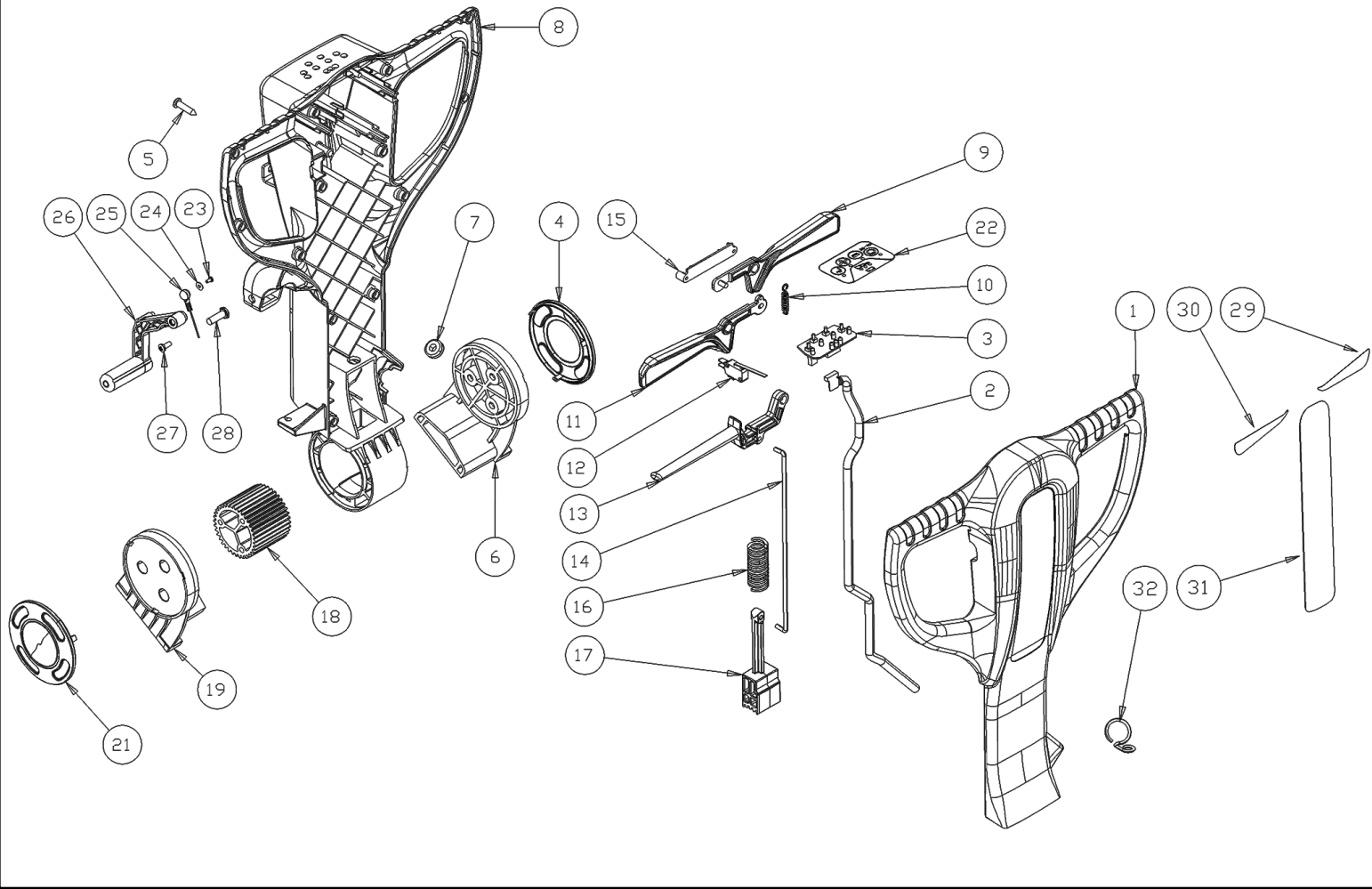
**IPC Gansow**

## Spare Parts List

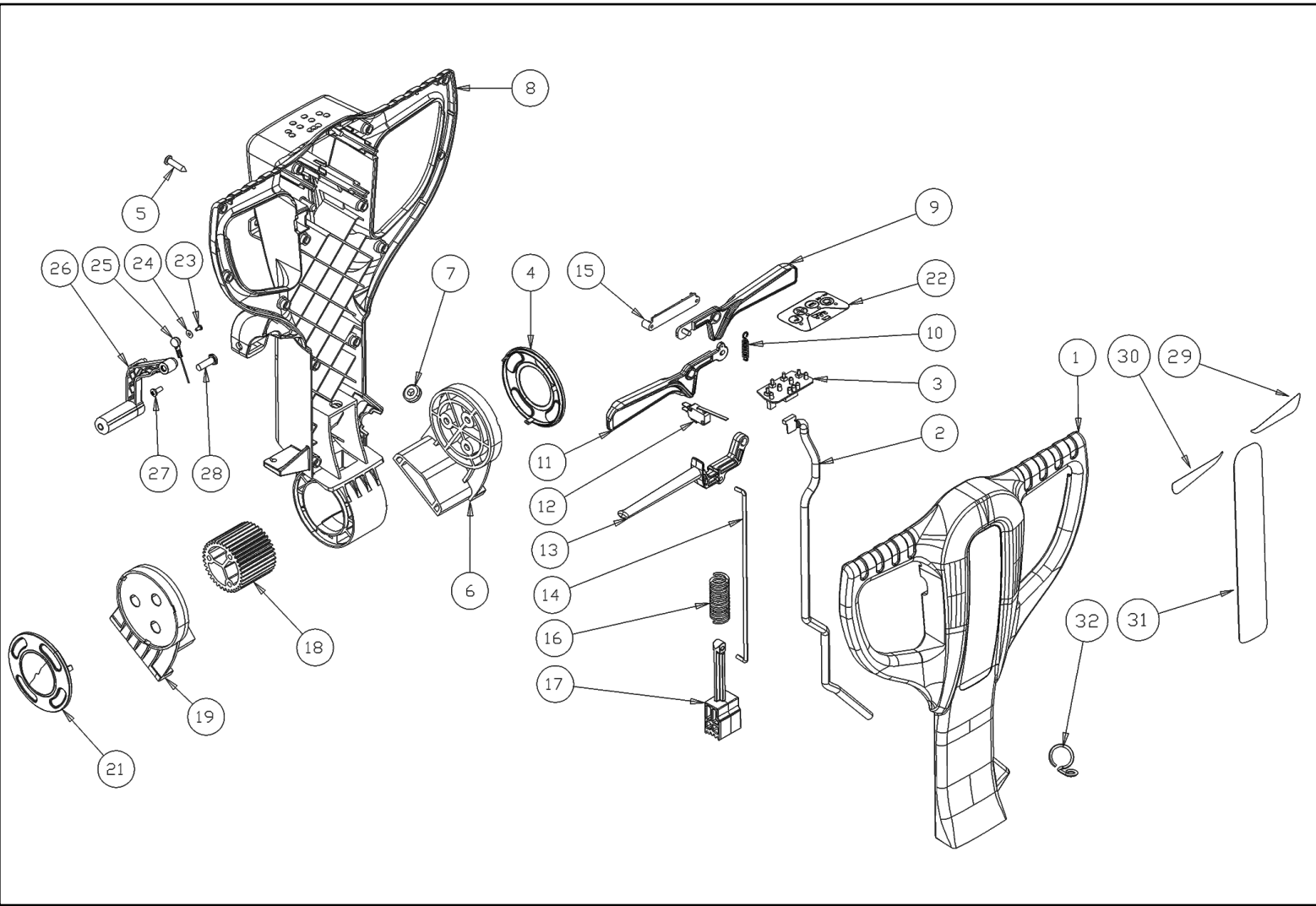
IPC EAGLE

Ref: LPTB01861

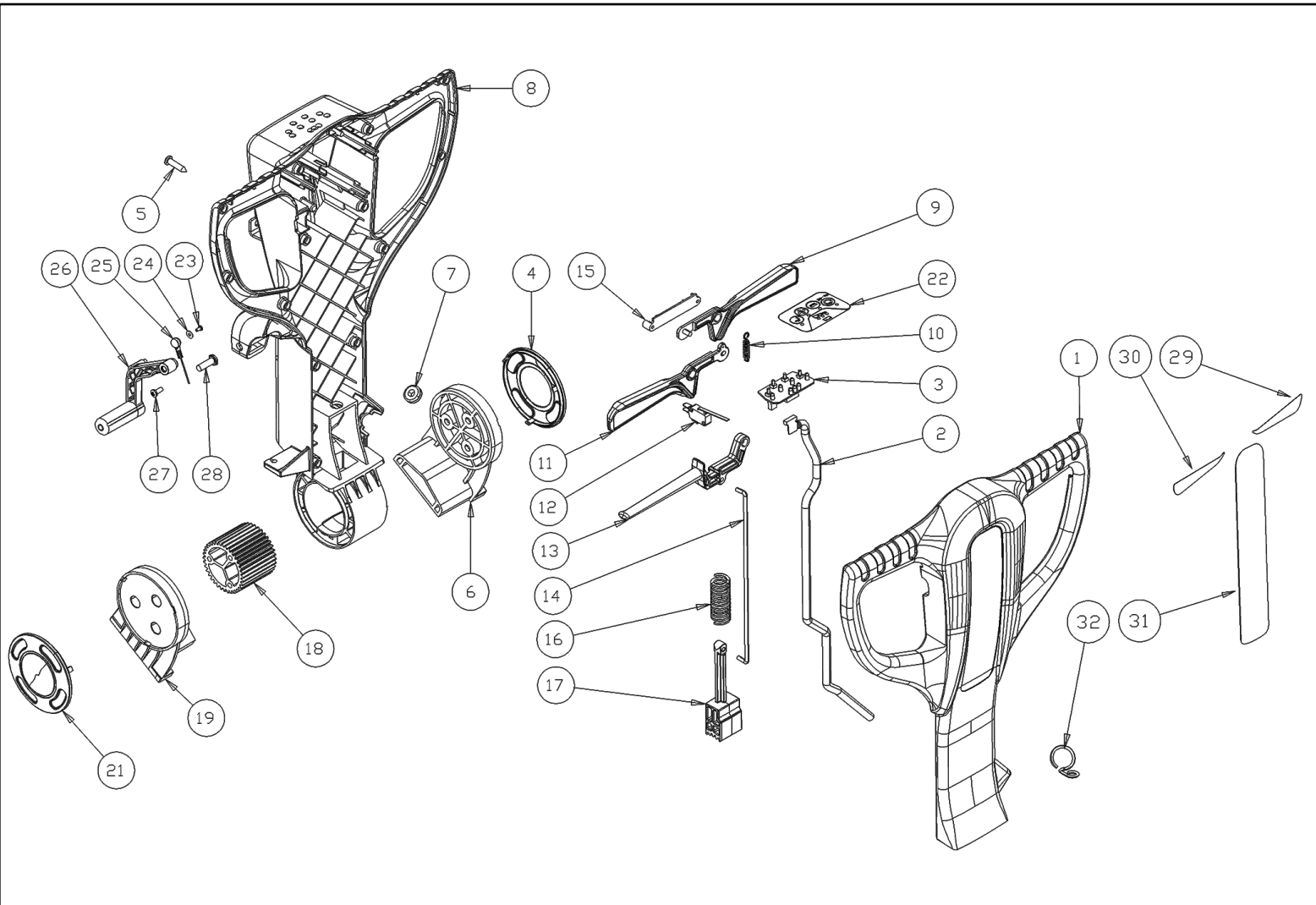
Model: CT46 B50+CB GR/VE USA



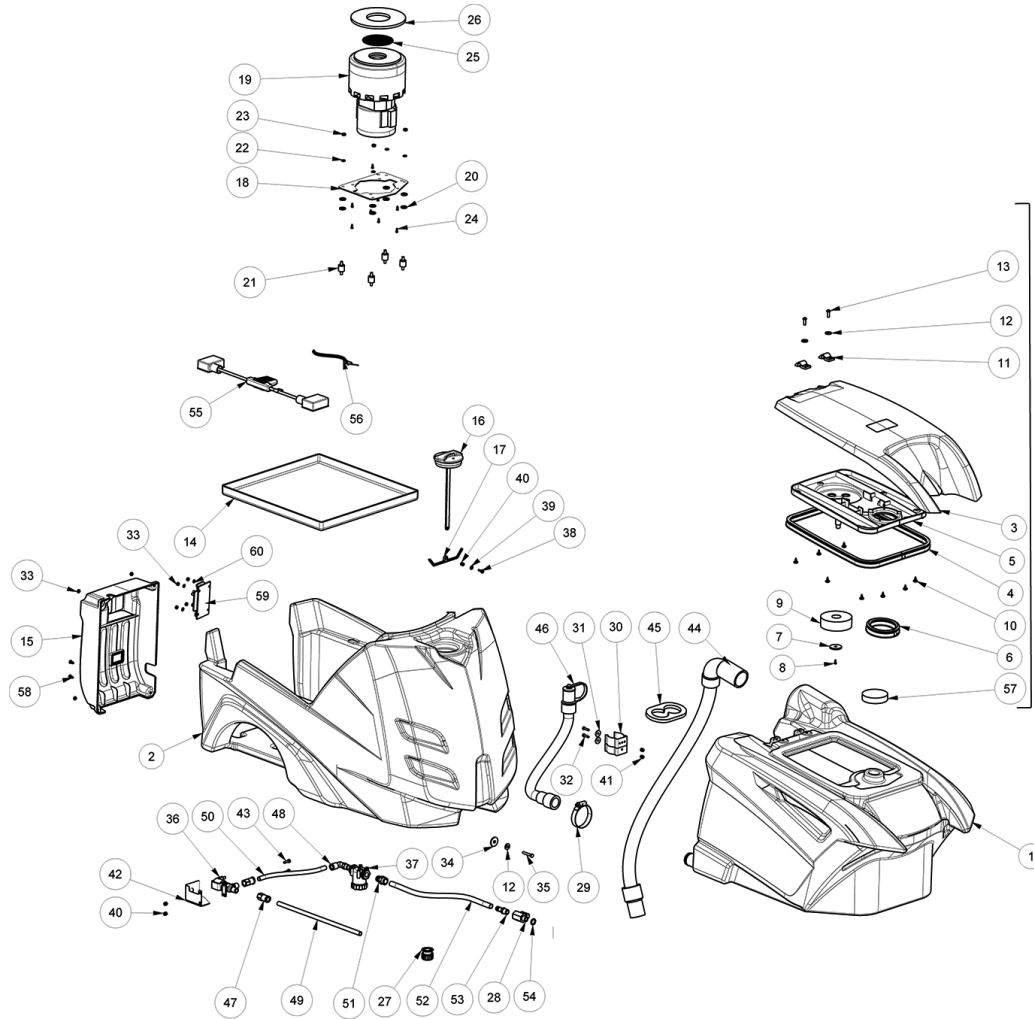
Ref.	K	Part N.	Customer Part N.	Description	Qty	Validity:		Price
						From	To	
0001		MPVR06046		CRANKCASE -	1,00			--
0002		MECB01257		CABLE RIBBON CT15	1,00	09/2015	11/2015	--
0002		MECB01326		WIRING FLAT CABLE CT45	1,00		09/2015	--
0002		MECB01396		WIRING	1,00	11/2015		--
0003		MECE00579		BOARD LOGIC CT45 24V	1,00		09/2015	--
0003	S	MECE00605		BOARD LOGIC CT30 24V	1,00	09/2015		--
0004		MPVR06055		COVER -	1,00			--
0005		VTVT01371		SCREW 4,8X19	14,00			--
0006		MPVR06054		SHELL SX	1,00			--
0007		MPVR06057		FAIR-LEAD -	1,00			--
0008		MPVR06047		CRANKCASE -	1,00			--
0009		MPVR06048		LEVER SX	1,00			--
0010		MLML00336		SPRING -	1,00			--
0011		MPVR06049		LEVER DX	1,00			--
0012		MECI36393		MICROSWITCH TRZ. DRW	1,00			--
0013		MPVR06050		LEVER ADJUSTMENT	1,00			--
0014		LAFN09221		LEVER RINVIO	1,00			--
0015		MPVR06298		COVERING CT55	1,00			--
0016		MLML00337		SPRING -	1,00			--
0017		MPVR06052		HANDLE SUPPORT	1,00			--
0018		MPVR06056		GEAR -	1,00			--
0019		MPVR06053		SHELL DX	1,00			--
0021		MPVR06055		COVER -	1,00			--
0022		ETET01780		LABEL -	1,00		09/2015	--
0022		ETET01842		LABEL -	1,00	09/2015		--
0023		VTVT00800		SCREW TC 4X12 ZN	1,00	09/2014		--
0024		VTRS00251		WASHER 4-16 INOX A2	1,00	09/2014		--
0025		CMCV00364		CABLE -	1,00	09/2014		--
0026		MPVR49942		LEVER SQUEEGEE LIFTING PP	1,00	09/2014		--
0027		VTVT00796		SCREW TC 6X12	1,00	09/2014		--
0028		LAFN09248		PIN -	1,00	09/2014		--
0029		ETET01770		LABEL CT15	1,00			--
0029		ETET01773		LABEL CT15	1,00			--
0029		ETET01775		LABEL CT15	1,00			--
0030		ETET01770		LABEL CT15	1,00			--
0030		ETET01773		LABEL CT15	1,00			--
0030		ETET01775		LABEL CT15	1,00			--
0031		ETET01769		LABEL CT15	1,00			--
0031		ETET01772		LABEL CT15	1,00			--



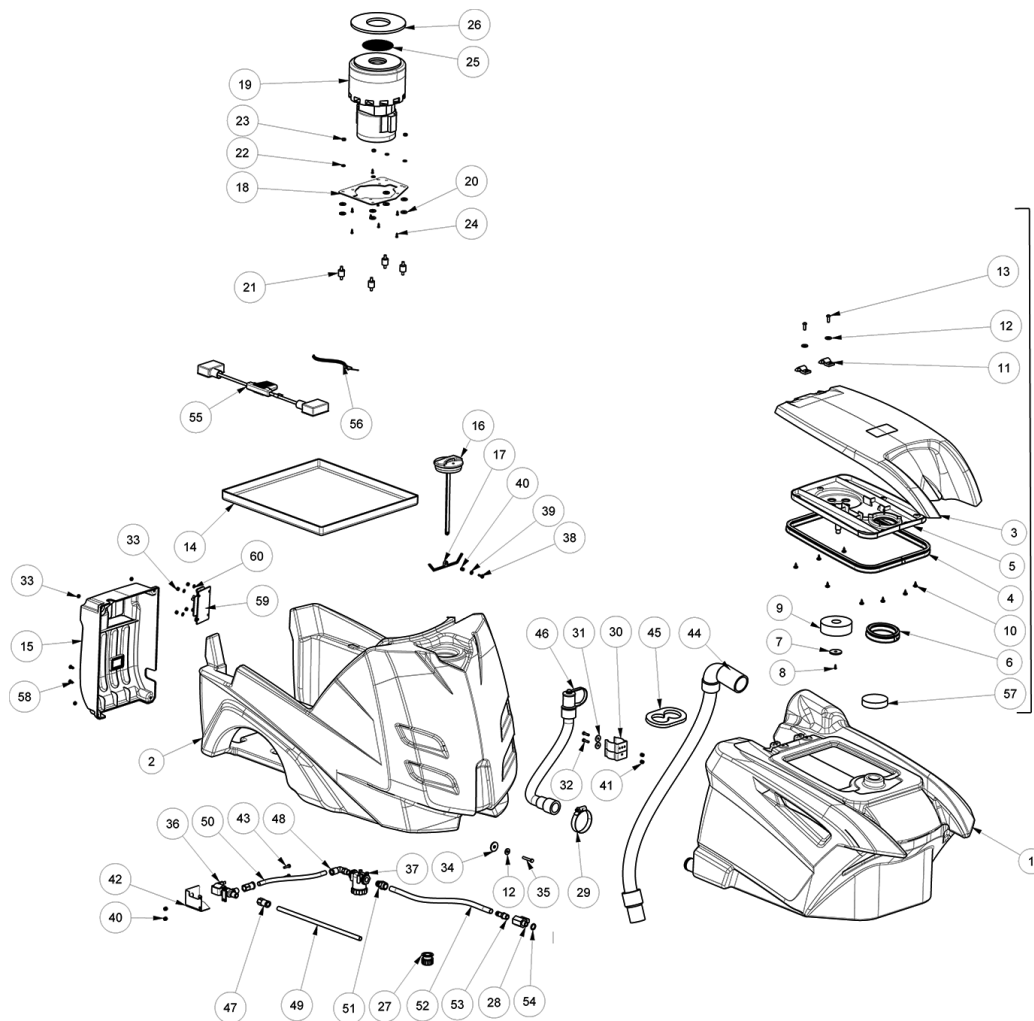
Ref. K	Part N.	Customer Part N.	Description	Qty	Validity:		Price
					From	To	
0031	ETET01774		LABEL CT15	1,00			--
0032	LAFN11049		HOOK -	1,00	04/2016		--



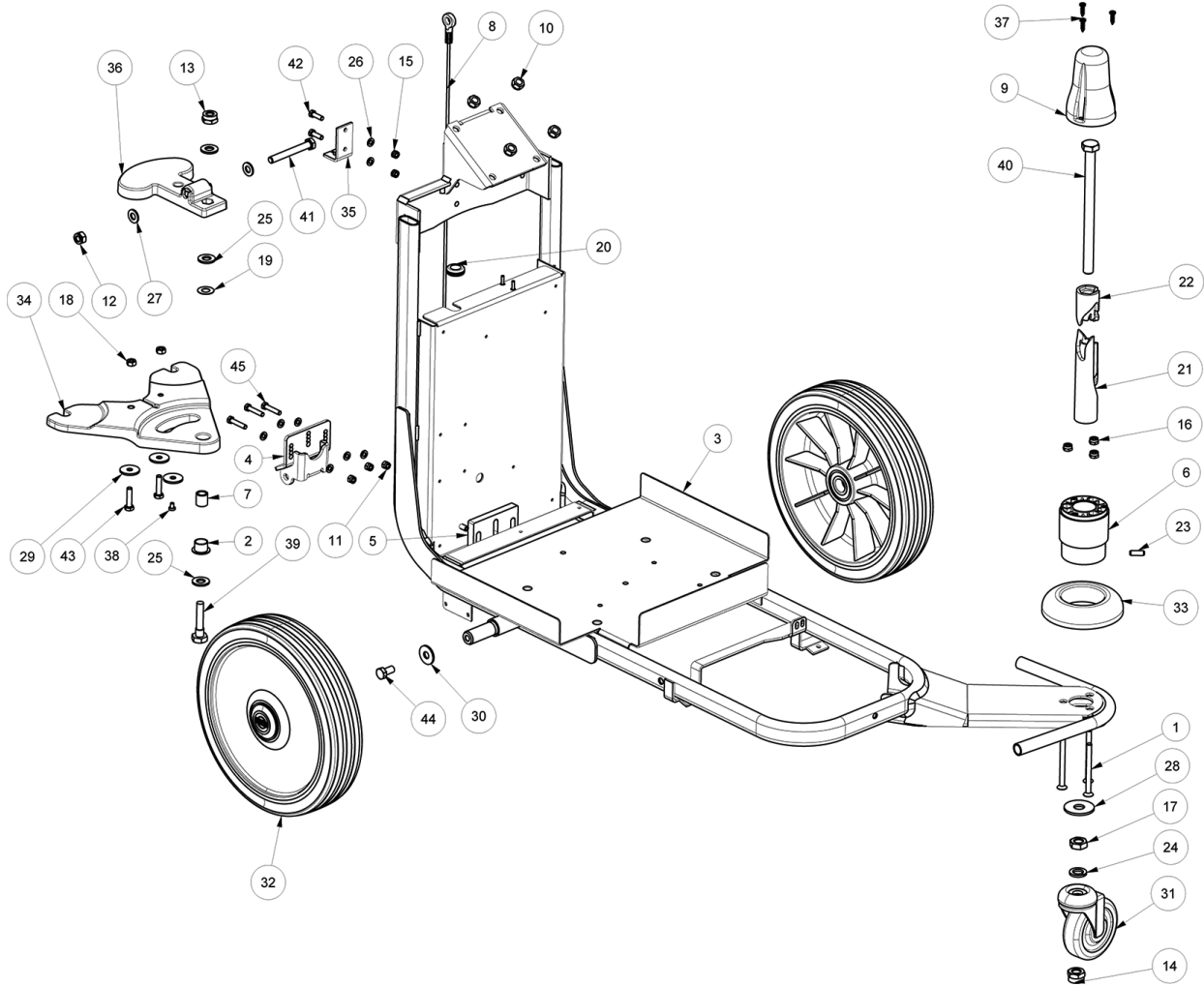
Ref. Part N.	Cust. Part N.	Description	Reference	Price
KTRI04750		KIT NEW PCB CT30B AND CT45B	0003	--



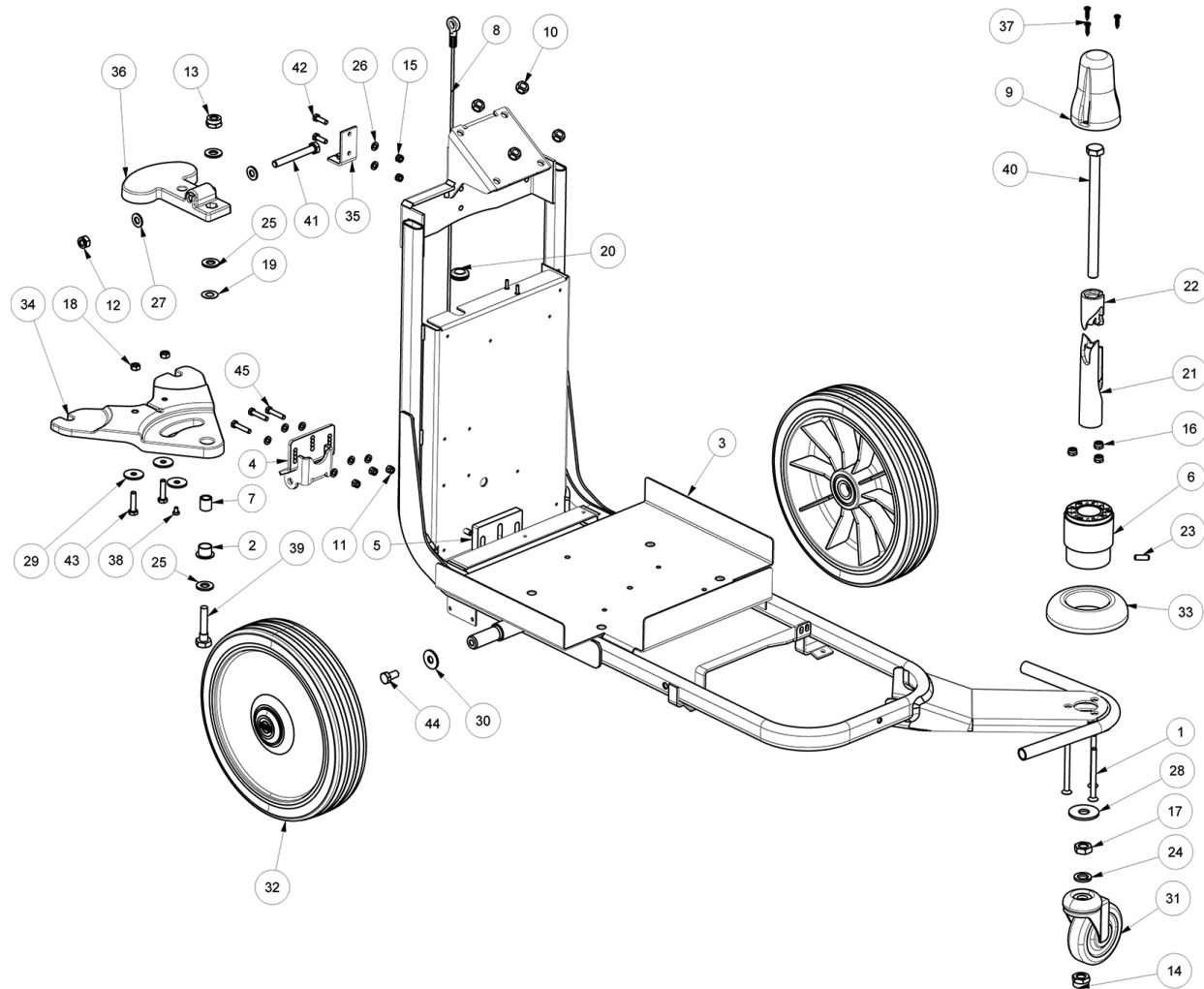
Ref.	K	Part N.	Customer Part N.	Description	Qty	Validity:		Price
						From	To	
0001		MPVR10598		TANK CT46	1,00			--
0002		MPVR10599		TANK CT46	1,00			--
0003		MPVR10715		COVER CT46	1,00			--
0004		GUVR01018		GASKET	1,00			--
0005		MPVR10716		BUSHING CT46	1,00			--
0006		GUVR01017		GASKET	1,00			--
0007		VTRS00573		WASHER 30x6x3	1,00			--
0008		VTVT48694		SCREW TCB TC 5 X12 UNI 9707 TZ	1,00			--
0009		MPVR05836		FLOATER -	1,00			--
0010		VTVT01694		SCREW TCB TC 5 X10 UNI 9707 TZ	9,00			--
0011		MPVR10718		HINGE CT46	2,00			--
0012		VTRS13750		WASHER D. 5X14 INX	3,00			--
0013		VTVT00805		SCREW TBEI M. 5-10	2,00			--
0014		LAFN35588		BATTERY SUPPORTLAV. BT	1,00			--
0015		MPVR10769		COVERING CT46	1,00			--
0016		MPVR05188		CAP -	1,00			--
0017		MPVR08038		PLATE CT15-30	1,00			--
0018		LAFN08894		PLATE -	1,00			--
0019		MOCC00397		MOTOR VACUUM CT15-CT30	1,00			--
0020		VTRS13750		WASHER D. 5X14 INX	8,00			--
0021		ABGO00052		VIBRATION DAMP.-	4,00			--
0022		VTRS15908		WASHER D. 5 INX GRW UNI 1751	4,00			--
0023		VTDD07727		NUT M 5 INOX	4,00			--
0024		VTVT48694		SCREW TCB TC 5 X12 UNI 9707 TZ	8,00			--
0025		LAFN05830		NET FERMA FILTRO INOX	1,00			--
0026		GUGO00444		GASKET -	1,00		09/2016	--
0026		GUGO00498		GASKET	1,00	09/2016		--
0027		MPVR08003		CAP	1,00		10/2016	--
0027		MPVR10774		CAP 1/2"	1,00	10/2016		--
0028		RCGR00082		VALVE -	1,00			--
0029		FSVR00095		CLAMP 30-45	1,00			--
0030		MPVR46988		CLIP LAV. SHK	1,00			--
0031		VTRS05904		WASHER D. 4 X16 2.083	2,00			--
0032		VTVT29884		SCREW TE M 4X 16 UNI 5739	2,00			--
0033		VTDD04368		NUT M 4 ZIN UNI 5588	4,00			--
0034		VTRS16937		WASHER 6x24 INOX UNI 6593	1,00			--
0035		VTVT01376		SCREW TE M 5X 35 UNI 5739	1,00			--
0036		MEEV00052		SOLENOID VALVE	1,00			--
0037		FTAC00044		FILTER CT15-CT30	1,00			--



Ref. K	Part N.	Customer Part N.	Description	Qty	Validity:		Price
					From	To	
0038	VTVT15965		SCREW TCB-TC 4X12 UNI7687 INX	1,00			--
0039	VTRS00515		WASHER D. 4 INX	1,00			--
0040	VTDD00055		NUT M 4 ATB A2	3,00			--
0041	VTDD04369		NUT M 4 TEF UNI 7473	2,00			--
0042	LAFN07948		PROTECTION ELETTROVALVOLA	1,00			--
0043	VTVT15924		SCREW M 4 X 16 TCB-TC UNI 7687	2,00			--
0044	TBFX00357		TUBE CT45	1,00			--
0045	MPVR04659		FLANGE	1,00			--
0046	TBFX00350		TUBE HOSE DRAIN CT30	1,00			--
0047	RCVR00772		CONNECTOR 1/4	2,00			--
0048	RCVR00773		CONNECTOR 1/4	1,00			--
0051	RCVR00807		CONNECTOR 10 1/4	1,00			--
0053	RCVR00784		CONNECTOR -	1,00			--
0054	GUGO31088		O-RING D. 12 X 2.50 NBR 70SH	1,00			--
0055	MECB01943		WIRING	1,00			--
0057	FTDP00683		FILTER -	1,00			--
0059	MECE00742		BOARD POWER CT15-30-45B-BT	1,00			--
0060	VTRS00377		WASHER M4	4,00			--

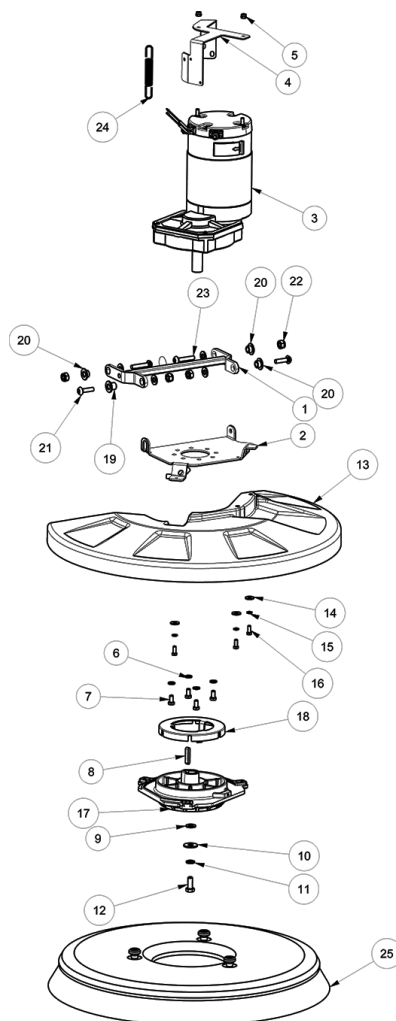


Ref.	K	Part N.	Customer Part N.	Description	Qty	Validity:		Price
						From	To	
0001		VTVT01160		SCREW M6x65	3,00			--
0002		CUVR00193		BUSHING -	1,00			--
0003		LAFN11041		FRAME -	1,00			--
0004		LAFN08106		COUPLING SQUEEGEE	1,00			--
0005		LAFN11083		SPACER -	1,00			--
0006		MPVR07136		BUSHING -	1,00			--
0007		LAFN08067		BUSHING CT45	1,00			--
0008		CMCV00364		CABLE -	1,00			--
0009		MPVR07133		COVERING -	1,00			--
0010		VTDD00124		NUT M 8 BASSO	4,00			--
0011		VTDD15517		NUT M 5 INX	3,00			--
0012		VTDD01695		NUT M 8 INX	1,00			--
0013		VTDD10310		NUT AUTOBL.M10 INOX DIN 985	1,00			--
0014		VTDD00176		NUT M.12 INOX A2 BASSO AUTOB.	1,00			--
0015		VTDD01693		NUT M 5 INX	2,00			--
0016		VTDD01694		NUT M6 INOX	3,00			--
0017		VTDD00502		NUT M12	1,00			--
0018		VTDD15520		NUT M 6 A2 UNI 5588 INX	2,00			--
0019		MLML34767		SPRING D.10.2 X20	1,00			--
0020		MEVR00686		FAIR-LEAD DIAMETER 15.5	1,00			--
0021		MPVR06462		PIN -	1,00			--
0022		MPVR06461		PIN -	1,00			--
0023		VTVT01382		PIN -	1,00			--
0024		VTRS15919		WASHER D.12 GROVER UNI 1751 INX	1,00			--
0025		VTRS15523		WASHER D.10 X21 INOX UNI 6592	3,00			--
0026		VTRS00516		WASHER D. 5 INX	8,00			--
0027		VTRS13947		WASHER D. 8 INX UNI 6592	2,00			--
0028		VTRS09142		WASHER D.12 X 36	1,00			--
0029		VTRS16937		WASHER 6x24 INOX UNI 6593	3,00			--
0030		VTRS00512		WASHER D. 8 X24 ZC.	2,00			--
0031		RTRT00550		WHEEL -	1,00			--
0032		RTRT00537		WHEEL GRAY d.250 CT15-30-45	2,00			--
0033		MPVR07134		WHEEL -	1,00			--
0034		MFVR00224		ARTICULATION SQUEEGEE SUPPORT CT45	1,00			--
0035		LAFN09365		BRACKET -	1,00			--
0036		MFVR00223		SUPPORT SQUEEGEE CT45	1,00			--
0037		VTVT00044		SCREW TC AF.X PLAS UNI9707 4X16	3,00			--
0038		VTVT00881		SCREW TC+ M4x6 TRILOBATA INOX	1,00			--
0039		VTVT01169		SCREW TE M10X45	1,00			--

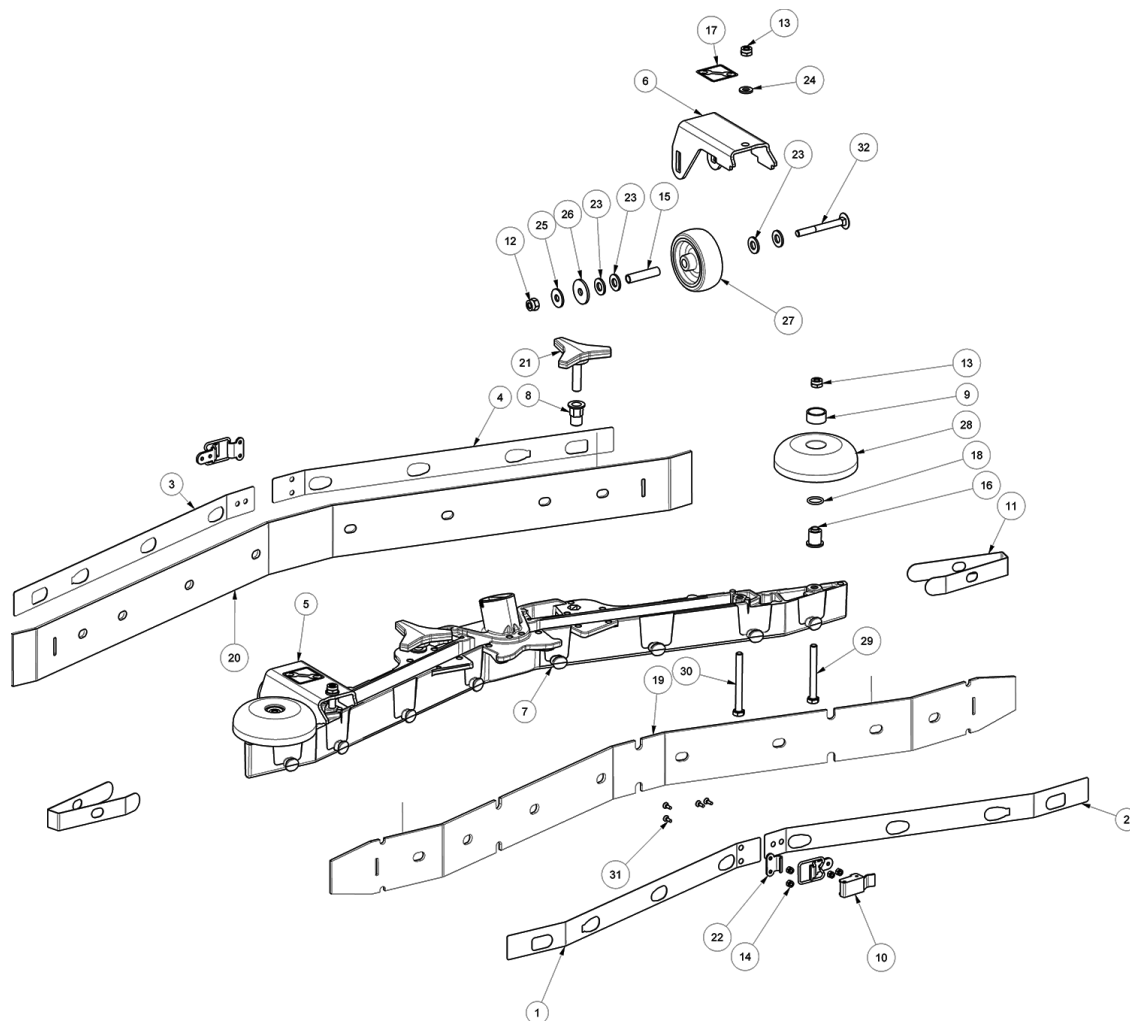


Ref. K	Part N.	Customer Part N.	Description	Qty	Validity:		Price
					From	To	
0040	VTVT01171		SCREW TE M12x170 UNI5737	1,00			--
0041	VTVT00757		SCREW	1,00			--
0042	VTVT07725		SCREW TE 5X16 UNI5739 INX	2,00			--
0043	VTVT15141		SCREW TE M 6X 25 UNI 5739 INX	2,00			--
0044	VTVT01110		SCREW TE 8X16 UNI5739	2,00			--
0045	VTVT00766		SCREW TE M. 5-25	3,00			--

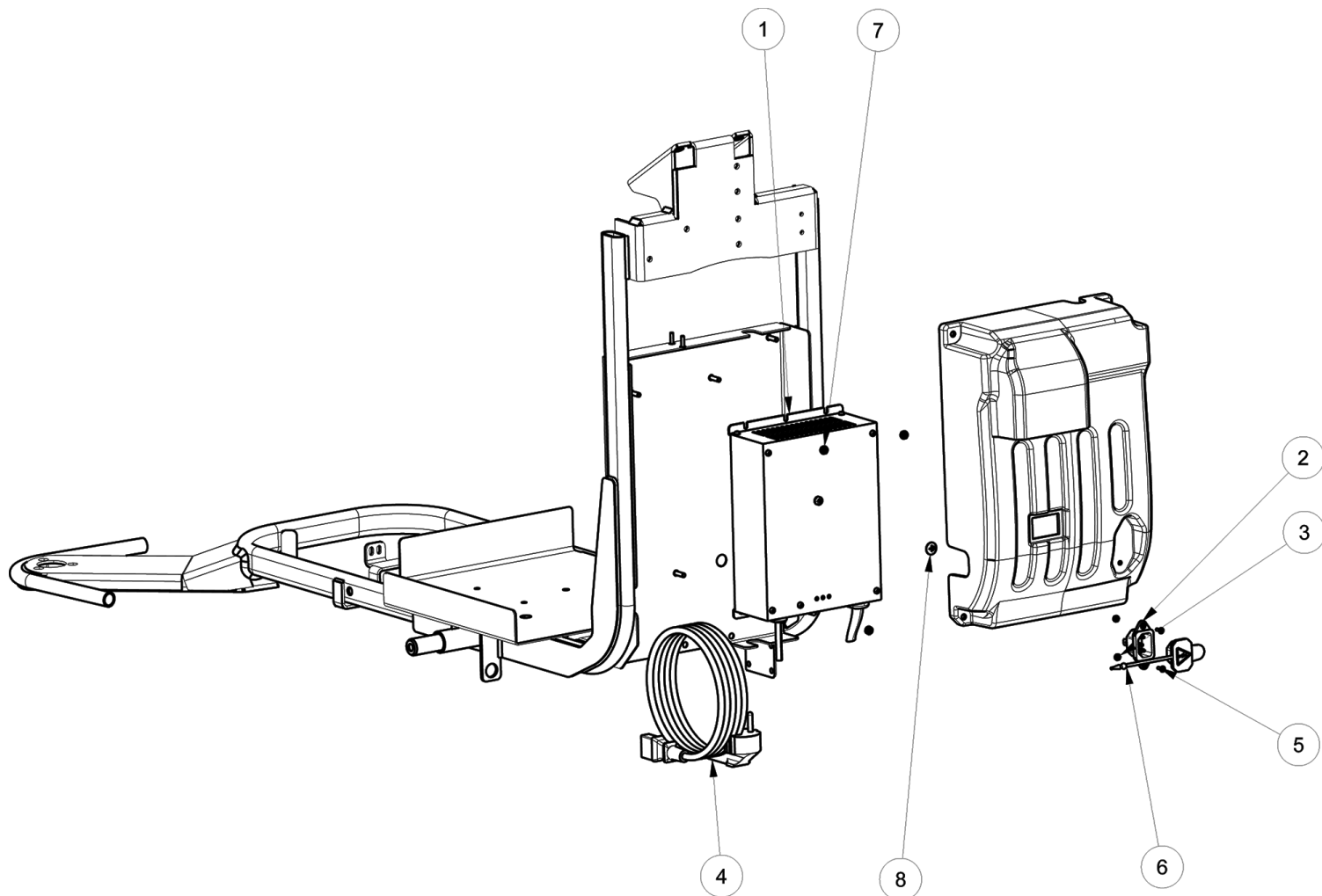




Ref.	K	Part N.	Customer Part N.	Description	Qty	Validity:		Price
						From	To	
0001		LAFN07910		BRACKET -	1,00			--
0002		LAFN07905		SUPPORT -	1,00			--
0003		MOCC00426		MOTOR 24V 20A 400W IP44	1,00			--
0004		LAFN08083		BRACKET -	1,00			--
0005		VTDD01693		NUT M 5 INX	2,00			--
0006		VTRS15144		WASHER D. 6 INX GRW UNI 1751	4,00			--
0007		VTVT15906		SCREW TE 6X 12 A2 UNI 5739	4,00			--
0008		VTVR16617		KEY 6X 6X30 UNI 6604	1,00			--
0009		VTRS13947		WASHER D. 8 INX UNI 6592	5,00			--
0010		VTRS13946		WASHER D. 8 X24 INX UNI 6593	1,00			--
0011		VTRS15146		WASHER D. 8 INX GRW UNI 1751	1,00			--
0012		VTVT13938		SCREW TE 8X20 UNI5739 INX	1,00			--
0013		MPVR06243		COVERING CT45	1,00			--
0014		VTRS13750		WASHER D. 5X14 INX	3,00			--
0015		VTRS15908		WASHER D. 5 INX GRW UNI 1751	3,00			--
0016		VTVT01300		SCREW TE M5X12 INOX	3,00			--
0017		MFVR00212		DRIVE DISK	1,00			--
0018		MPVR06045		CONVEYOR -	1,00			--
0019		LAFN51068	#8479.90.9498	BUSHING LEVA POSTER.	1,00			--
0020		LAFN06391		BUSHING PARALLELOGRAMMA	3,00			--
0021		VTVT01195		SCREW TBEI M 8X 25 ISO 7380 IX	2,00			--
0022		VTDD01695		NUT M 8 INX	4,00			--
0023		VTVT01378		SCREW TBEI M8X35	2,00			--
0024		MLML00340		SPRING -	1,00			--
0025		SPPV01332		BRUSH D.500 NYLON	1,00			--



Ref.	K	Part N.	Customer Part N.	Description	Qty	Validity:		Price
						From	To	
0001		LAFN09275		SHEET METAL PA.-	1,00			--
0002		LAFN09276		SHEET METAL PA.-	1,00			--
0003		LAFN09277		SHEET METAL PA.-	1,00			--
0004		LAFN09278		SHEET METAL PA.-	1,00			--
0005		LAFN09216		SUPPORT DX	1,00			--
0006		LAFN09217		SUPPORT SX	1,00			--
0007		MFVR00143		BODY SQUEEGEE PRESSOFUSO	1,00			--
0008		VTVR00567		INSERT -	2,00			--
0009		MPVR49229		BUSHING SHK	2,00			--
0010		LAFN09302		CLOSURE -	2,00			--
0011		MPVR05897		CLOSURE S	2,00			--
0012		VTDD15518		NUT M 6 INX	2,00			--
0013		VTDD01694		NUT M6 INOX	4,00			--
0014		VTDD00210		NUT M 3 AUTOBL.DIN 985 IX.A2	8,00			--
0015		LAFN07589		SPACER -	2,00			--
0016		LAFN04100		SPACER PER RUOTINO PARACOLPI	2,00			--
0017		ETET01817		LABEL -	2,00			--
0018		GUGO00164		GASKET	2,00			--
0019		MPVR06287		BLADE XS 3MM LATEX	1,00			--
0020		MPVR06288		BLADE XS 3MM LATEX	1,00			--
0021		MPVR06004		KNOB AISI 304	2,00			--
0022		LAFN09301		SOCKET -	2,00			--
0023		VTRS00274		WASHER NYLON 66 D.8,4-17-2 UNI	8,00			--
0024		VTRS00245		WASHER D.6 UNI 6592 INOX	2,00			--
0025		VTRS13945		WASHER D. 6X18 INX UNI 6593	2,00			--
0026		VTRS16937		WASHER 6x24 INOX UNI 6593	2,00			--
0027		RTRT00398		WHEEL -	2,00			--
0028		MPVR06105		SMALL WHEEL -	2,00			--
0029		VTVT00655		SCREW TE M. 6-55	2,00			--
0030		VTVT17342		SCREW TE M 6X 60 UNI 5739 INX	2,00			--
0031		VTVT01070		SCREW TSTC M3X8	8,00			--
0032		VTVT01206		SCREW M6X55	2,00			--



Ref.	K	Part N.	Customer Part N.	Description	Qty	Validity:		Price
						From	To	
0001		BACA00194		BATTERY-CHARGER	1,00			--
0002		MEVR02074		PLUG IEC	1,00			--
0003		VTDD00001		NUT UNI 5588 M3 ZB	2,00			--
0004		MECB00922		EXTENSION 3x0,75 SHUKO PLUG	1,00			--
0005		VTVT00035		SCREW M 3X 8 TS TC ZC	2,00			--
0006		MPVR10801		CAP IEC	1,00			--
0007		VTDD04368		NUT M 4 ZIN UNI 5588	3,00			--
0008		ETET00762		ADHESIVE SIMBOLO TERRA	1,00			--