

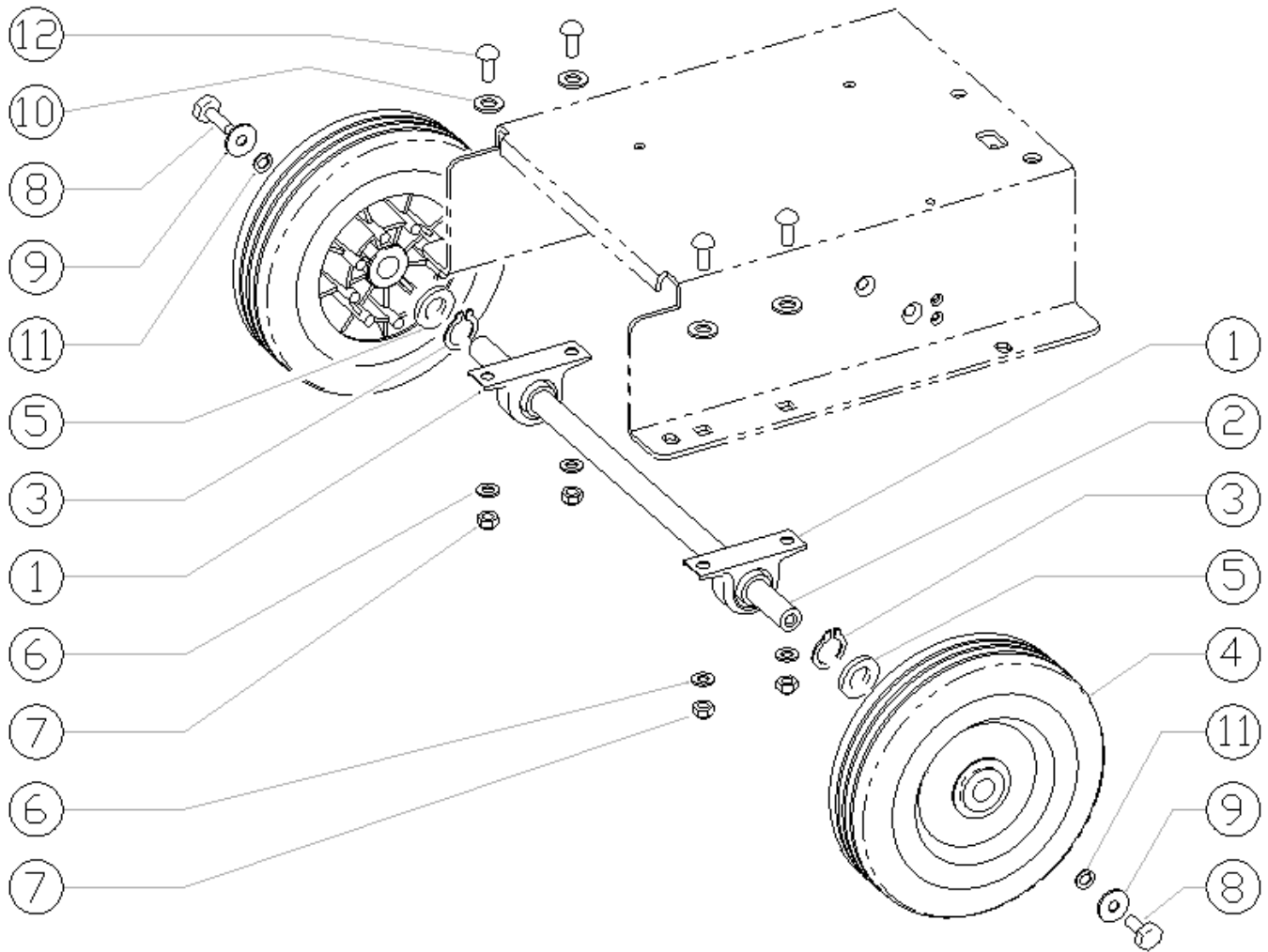
**IPC**  
EAGLE

## Spare Parts List

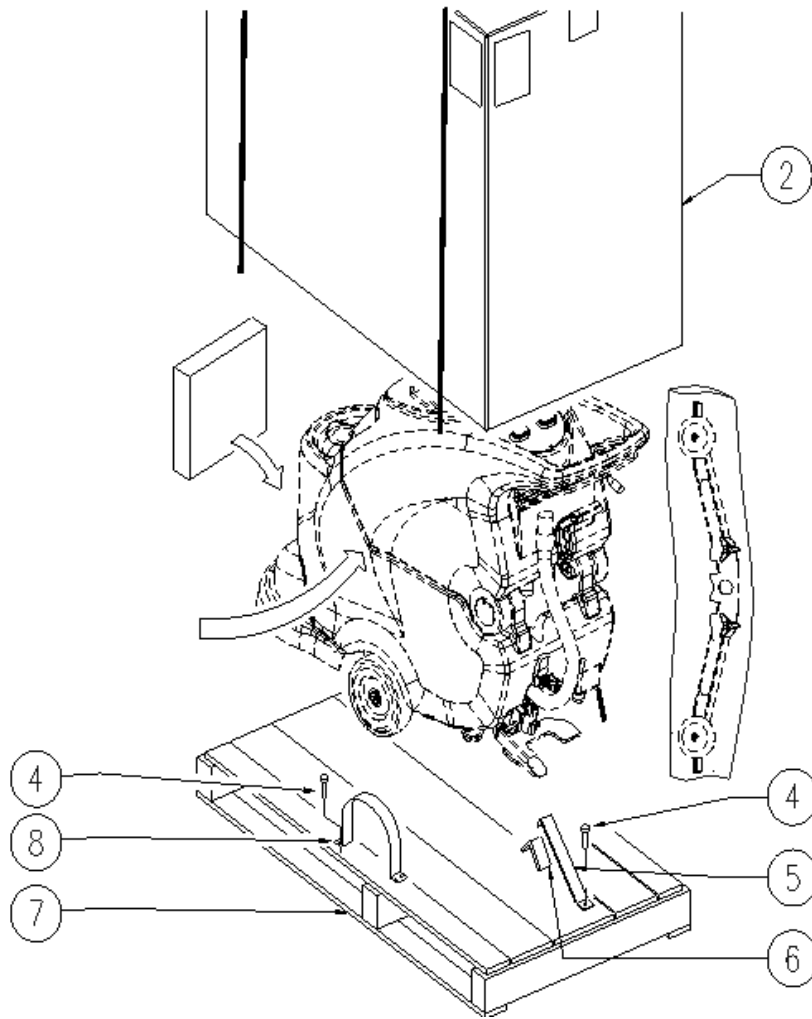
IPC EAGLE

Ref: LPTB02527

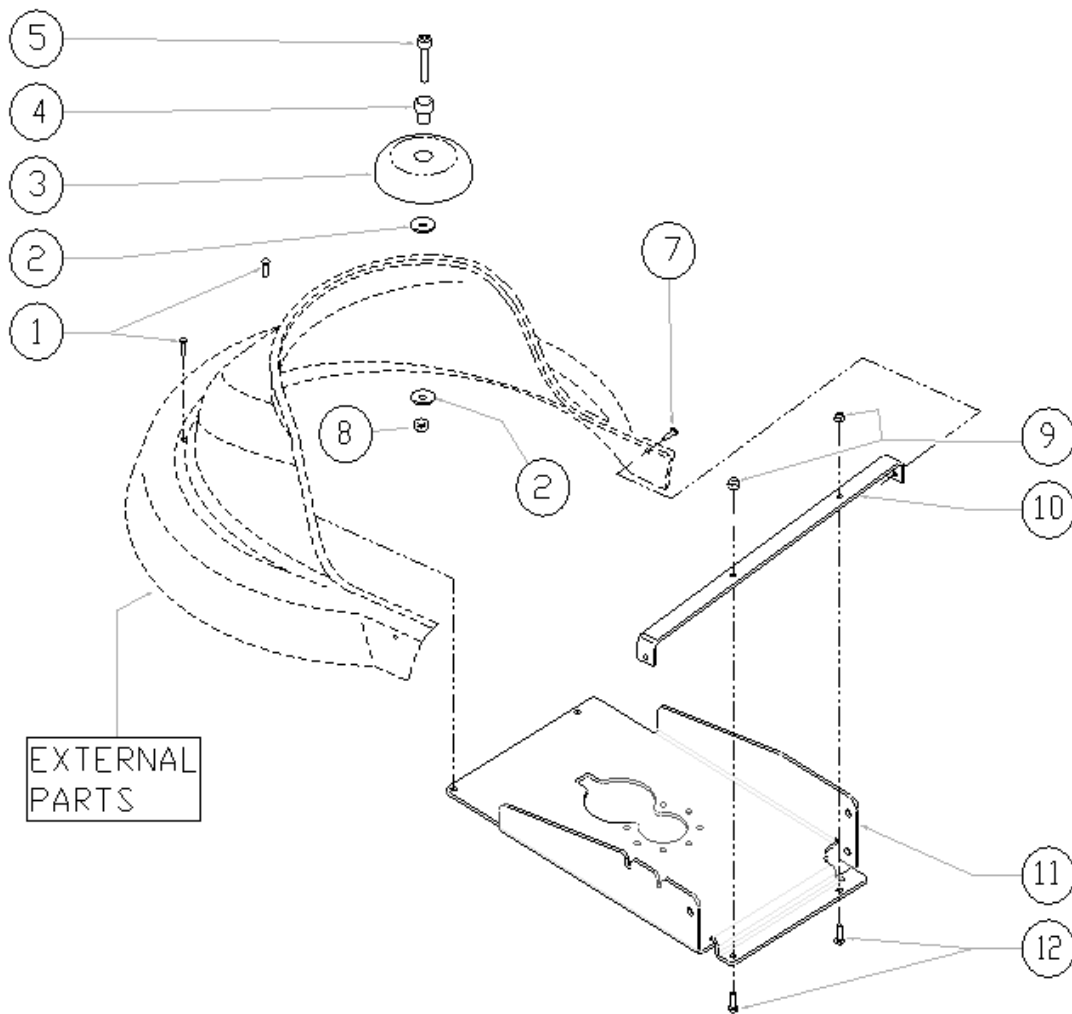
Model: CT40 B50+CB GR/VE USA



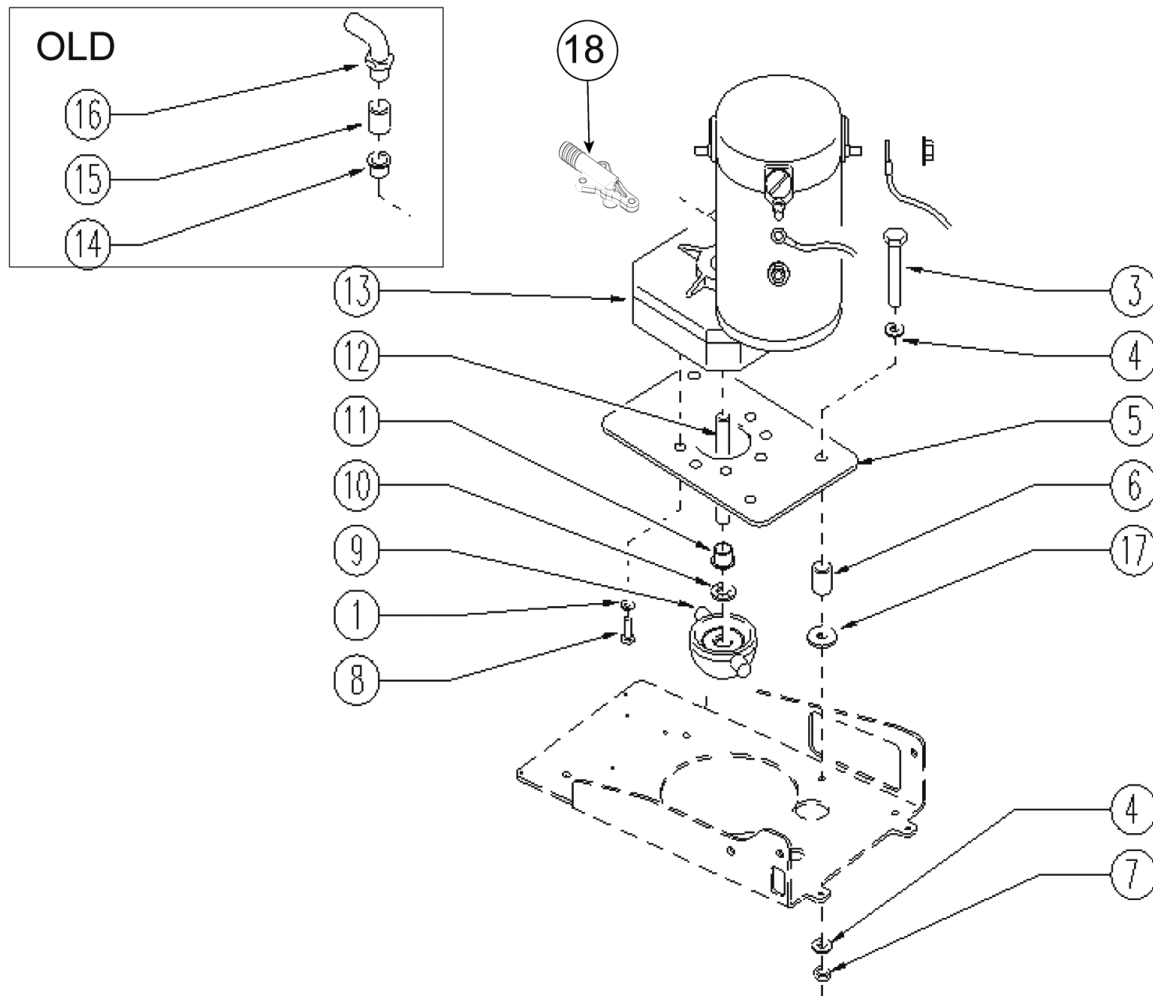
Ref.	K	Part N.	Customer Part N.	Description	Qty	Validity:		Price
						From	To	
0001		CUVR49833		BALL BEARING SBPP 203	2,00			--
0002		ALTR00088		AXLE -	1,00	05/2009		--
0002		LAFN35746		WHEELS AXLE LAV. E/B 450	1,00		05/2009	--
0003		VTAE00065		RING D17 UNI7435 INOX	2,00			--
0004		RTRT00366		WHEEL D200 X CLT 40	2,00			--
0005		VTRS00378		WASHER 17,5X32X1,5	4,00	09/2012		--
0005		VTRS21763		WASHER D.17	2,00		09/2012	--
0006		VTRS13947		WASHER D. 8 INX UNI 6592	4,00			--
0007		VTDD01695		NUT M 8 INX	4,00			--
0008		VTVT15916		SCREW TE M 8X 16 UNI 5739 A2	2,00			--
0009		VTRS13946		WASHER D. 8 X24 INX UNI 6593	2,00			--
0010		VTRS15978		WASHER D.12X24 UNI 6592 INX	4,00			--
0011		VTRS15146		WASHER D. 8 INX GRW UNI 1751	2,00			--
0012		VTVT00842		SCREW	4,00			--



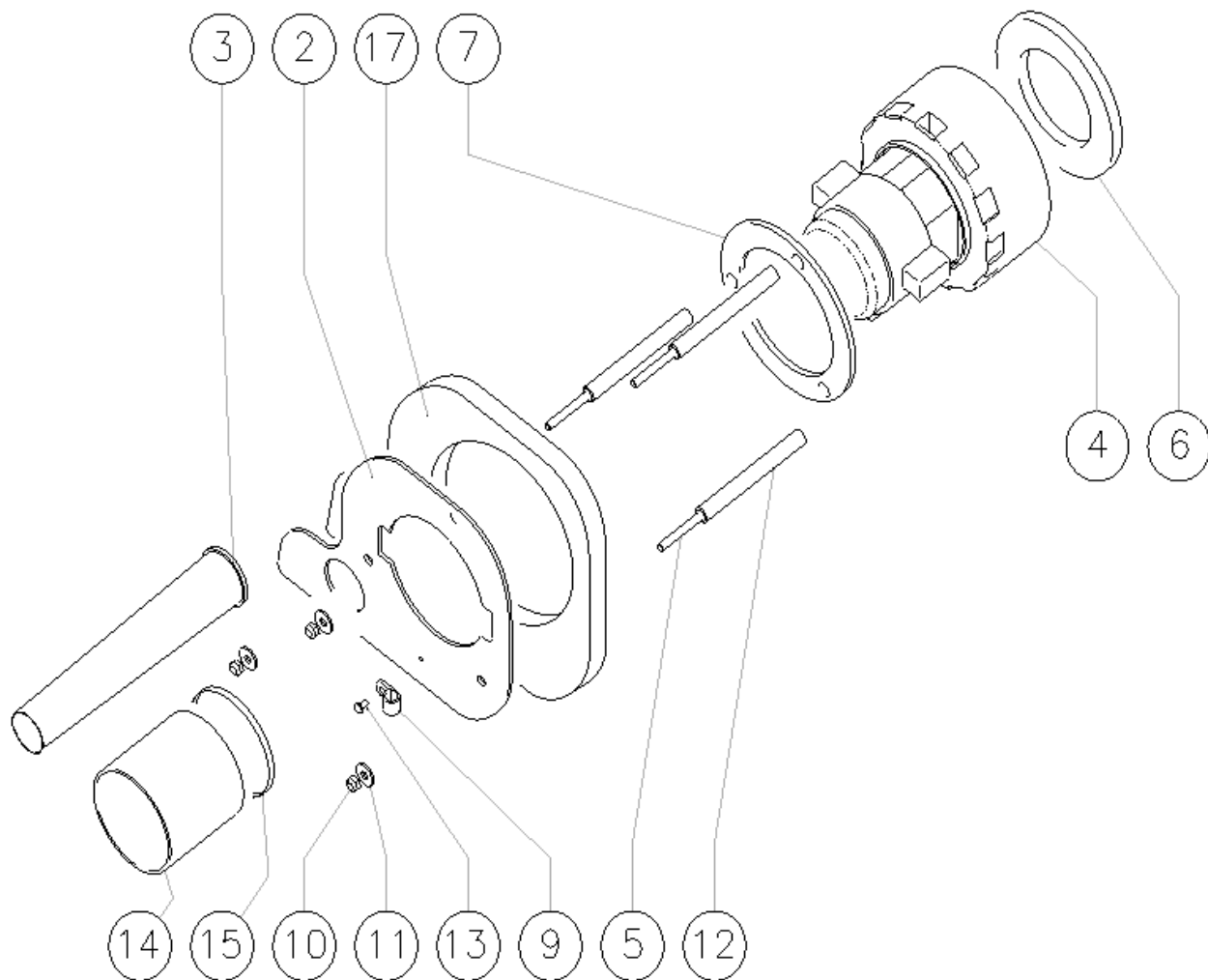
Ref.	K	Part N.	Customer Part N.	Description	Qty	Validity:		Price
						From	To	
0002		MICT00147		CARTON IMBALLO RULLI	1,00			--
0004		VTVT00043		SCREW AUTOF.LEGNO 4,5X25 TS BR	9,00			--
0005		MIVR00137		CLAMP RUOTA POSTERIORE X IMBAL.	1,00			--
0006		GUGO00009		MOUSSE	0,05			--
0007		MIBA00077		PALLET RULLI	1,00			--
0008		MIVR00135		CLAMP RUOTA POSTERIORE X IMBAL.	2,00			--



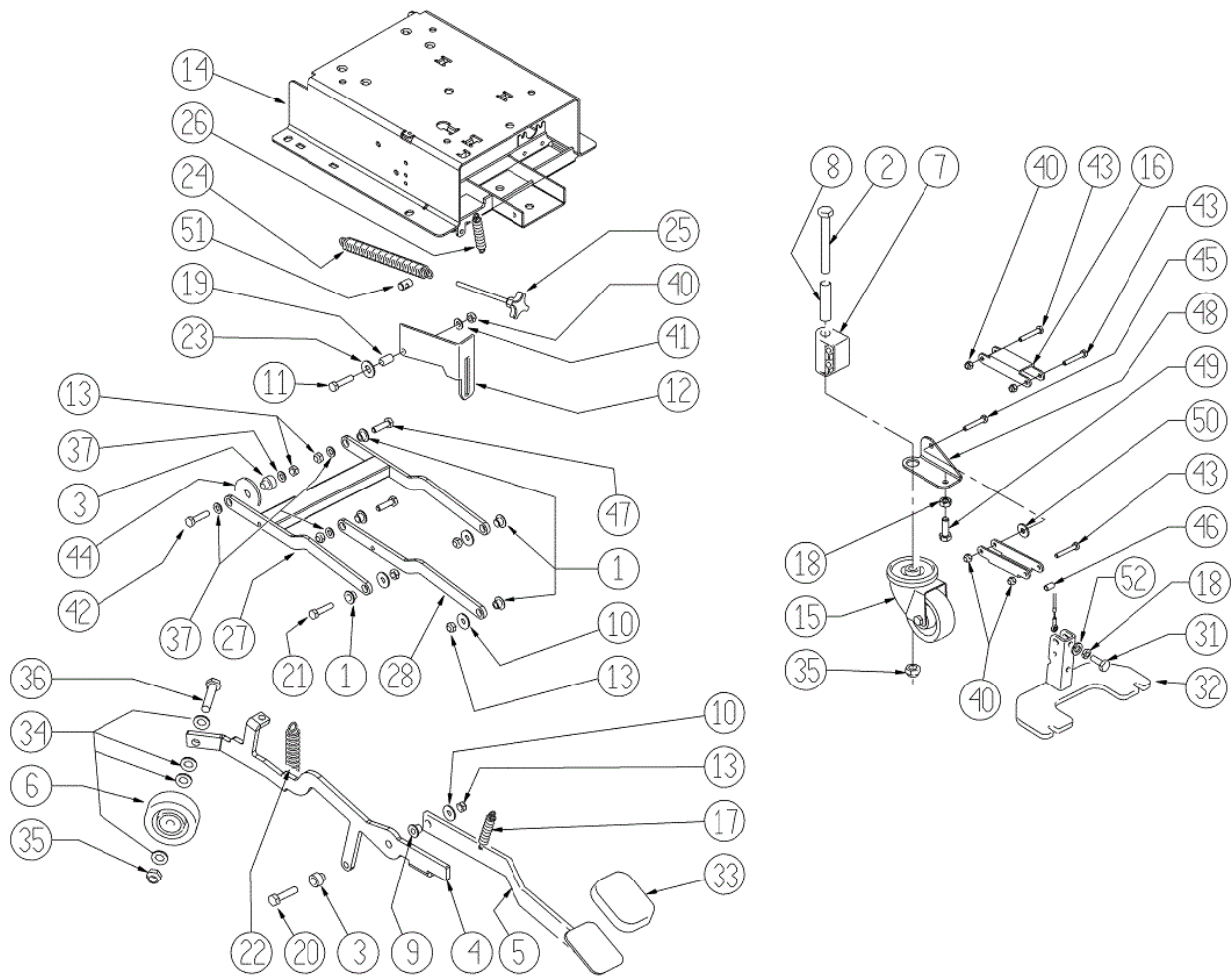
Ref.	K	Part N.	Customer Part N.	Description	Qty	Validity:		Price
						From	To	
0001		VTVT00659		SCREW TC+ M. 4-15	2,00		02/2010	--
0001		VTVT01366		SCREW M4X16	2,00	02/2010		--
0002		VTRS13946		WASHER D. 8 X24 INX UNI 6593	2,00			--
0003		MPVR05290		ROLLER PARACOLPI	1,00			--
0004		LAFN03915		BUSHING NUOVO RUOTINO STRONG	1,00			--
0005		VTVT00822		SCREW TCEI M 8-30	1,00	06/2009		--
0005		VTVT17349		SCREW TCEI M 8X30	1,00		06/2009	--
0007		VTVT01366		SCREW M4X16	2,00			--
0008		VTDD01695		NUT M 8 INX	1,00			--
0009		VTDD15518		NUT M 6 INX	2,00			--
0010		LAFN05899		SUPPORT BRACKET CARTER 1 EXTREME	1,00			--
0011		LAFN07373		PLATE RIDUTTORE	1,00			--
0012		VTVT15143		SCREW TE 6X16 UNI5739	2,00			--



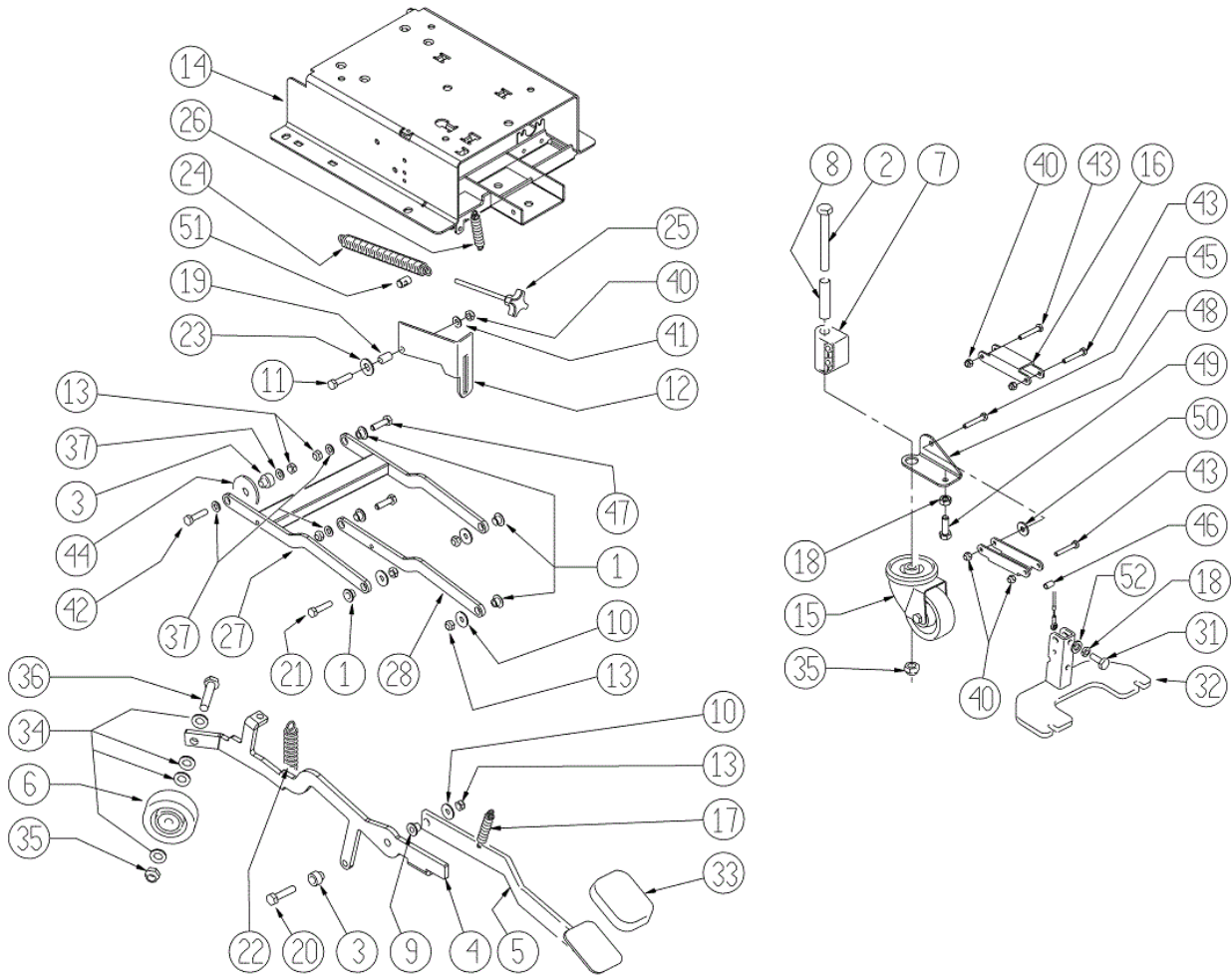
Ref. K	Part N.	Customer Part N.	Description	Qty	Validity:		Price
					From	To	
0001	VTRS15144		WASHER D. 6 INX GRW UNI 1751	8,00			--
0003	VTVT13937		SCREW TE M 8X 30 INX UNI 5739	4,00		03/2008	--
0004	VTRS13947		WASHER D. 8 INX UNI 6592	4,00		03/2008	--
0005	LAFN05920		FLANGE RIDUTTORE	1,00		03/2008	--
0006	RCDS34717		BUSHING D. 9X12X 8.3	4,00		03/2008	--
0007	VTDD01695		NUT M 8 INX	4,00		03/2008	--
0008	VTVT15906		SCREW TE 6X 12 A2 UNI 5739	8,00			--
0009	MFVR00134		DRIVE DISK SPAZZOLE	1,00			--
0010	MPVR02997		CLIP ANELLO X PERNO D10	1,00		05/2009	--
0010	VTVR00416		HANDWHEEL M 6MAX110 D.35	1,00	05/2009		--
0011	CUVR43254		BUSHING CB 85 1010 18T	1,00		07/2013	--
0012	LAFN04202		TUBE SOLUZIONE INOX D10	1,00		07/2013	--
0013	MOCC00298		MOTOR.GEARBOX MRP6	1,00		02/2008	--
0013	MOCC00327	#8479.90.9498	MOTOR GEARBOX 24V 550W	1,00	02/2008	07/2013	--
0013	MOCC00344		BRUSH -	4,00			--
0013	MOCC00405		MOTOR	1,00	07/2013		--
0014	CUVR43254		BUSHING CB 85 1010 18T	1,00		07/2013	--
0015	LAFN51028		BUSHING	1,00		07/2013	--
0016	RCVR45752		HOSE FITTING "L" 3/8M - D.10 PLS.	1,00		07/2013	--
0017	VTRS00241		WASHER D. 8-24	4,00		03/2008	--
0018	RCDS00046		CONNECTOR -	1,00	07/2013		--



Ref. K	Part N.	Customer Part N.	Description	Qty	Validity:		Price
					From	To	
0002	LAFN06363		FLANGE ASPIRATORE	1,00			--
0003	MPVR05259		TUBE SCARICO	1,00	06/2007		--
0003	TBFX00244		TUBE D 34 L200MM	1,00		06/2007	--
0004	MEVR05200		CARBON MOTORE ASP.AMET.116599-13	2,00			--
0004	MOCC00253		MOTOR ASPIR.BIST.24V	1,00		11/2008	--
0004	MOCC00349		MOTOR VACUUM 2 STAGES 24V	1,00	11/2008		--
0005	VTVR00198		ROD	3,00			--
0006	GUGO00272		GASKET VACUUM MOTOR CT	1,00			--
0007	MPVR04724		FLANGE IN NYLON	1,00			--
0009	FSVR00099		CLAMP FERMATUBO	1,00			--
0010	VTDD01694		NUT M6 INOX	3,00			--
0011	VTRS13945		WASHER D. 6X18 INX UNI 6593	3,00			--
0012	LAFN51078		SPACER SH	3,00			--
0013	VTVT00813		SCREW M 4X 8 TCB-TC UNI 8112	1,00			--
0014	TBFX00268		SUCTION HOSE D80 L=80MM	1,00		04/2007	--
0014	TBFX00312		TUBE ASPIRAZIONE	1,00	05/2007		--
0015	FSVR00118		CLAMP D.94	1,00	05/2007		--
0015	FSVR00500		CLAMP 80-100 INOX	1,00		04/2007	--
0017	MPVR05103		SOUND-PROOFING ASPIRATORE	1,00			--

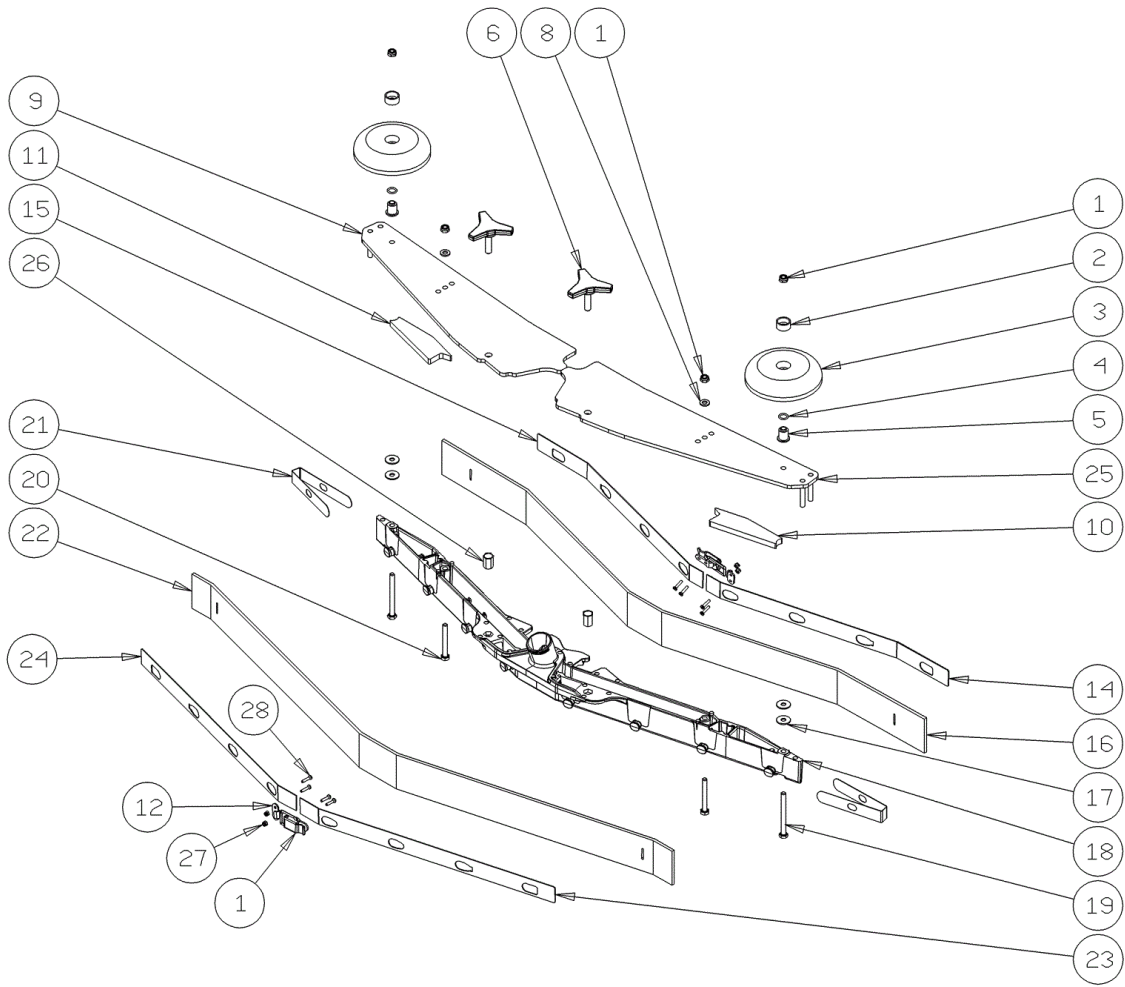


Ref.	K	Part N.	Customer Part N.	Description	Qty	Validity:		Price
						From	To	
0001		LAFN06391		BUSHING PARALLELOGRAMMA	5,00			--
0002		VTVT24212		SCREW TE M 12X100 UNI 5737 INOX	1,00			--
0003		LAFN04190		BUSHING PARALLELOGR.TEST.GR.	2,00			--
0004		LAFN07872		LEVER -	1,00			--
0005		LAFN07602		LEVER -	1,00		06/2013	--
0005		LAFN09270		PEDALE -	1,00	07/2013		--
0006		RTRT49171		CASTER D. 80-12	1,00			--
0007		MPVR04734		BLOCK TERGI	1,00			--
0008		LAFN09006		PIN -	1,00			--
0009		LAFN51068	#8479.90.9498	BUSHING LEVA POSTER.	1,00			--
0010		VTRS13946		WASHER D. 8 X24 INX UNI 6593	4,00			--
0011		VTVT00161		SCREW TE M6X20	1,00			--
0012		LAFN10124		PLATE -	1,00			--
0013		VTDD01695		NUT M 8 INX	7,00			--
0014		LAFN07293		BASE SERBATOIO	1,00			--
0015		RTRT00276		SMALL WHEEL GIREVOLE PER SPAZZANTE	1,00			--
0016		LAFN05853		LEVER ARM SOLLEVAMENTO TERGI	2,00			--
0017		MLML34726		SPRING TR E350 N	1,00			--
0018		VTDD15521		NUT M 8 INX A2 UNI 5588	1,00			--
0019		LAFN03840		BUSHING -	1,00			--
0020		VTVT15917		SCREW TE M 8X50 INOX A2 UNI	1,00			--
0021		VTVT15907		SCREW TE 8X25 UNI5739 INX	3,00			--
0022		MLML00313		SPRING -	1,00			--
0023		VTRS00274		WASHER NYLON 66 D.8,4-17-2 UNI	1,00			--
0024		MLML31130		SPRING D. 17.5 X110 N38	1,00			--
0025		VTVR35749		HANDWHEEL M 6MAX110 D.35	1,00			--
0026		MLML00303		SPRING REGISTRAZIONE FLAP	1,00			--
0027		LAFN06388		ARM TESTATA SUPERIORE	1,00			--
0028		LAFN06389		ARM PARALLELOGRAMMA	1,00			--
0031		VTVT00410		SCREW TE M8x35 UNI5739 INOX	1,00			--
0032		LAFN07560		PLATE -	1,00			--
0033		MPVR05186		COVER -	1,00			--
0034		VTRS15978		WASHER D.12X24 UNI 6592 INX	4,00			--
0035		VTDD00176		NUT M.12 INOX A2 BASSO AUTOB.	2,00			--
0036		VTVT00836		SCREW TE M12-60 INOX	1,00			--
0037		VTRS13947		WASHER D. 8 INX UNI 6592	4,00			--
0040		VTDD01694		NUT M6 INOX	5,00			--
0041		VTRS00245		WASHER D.6 UNI 6592 INOX	1,00			--
0042		VTVT00410		SCREW TE M8x35 UNI5739 INOX	1,00			--

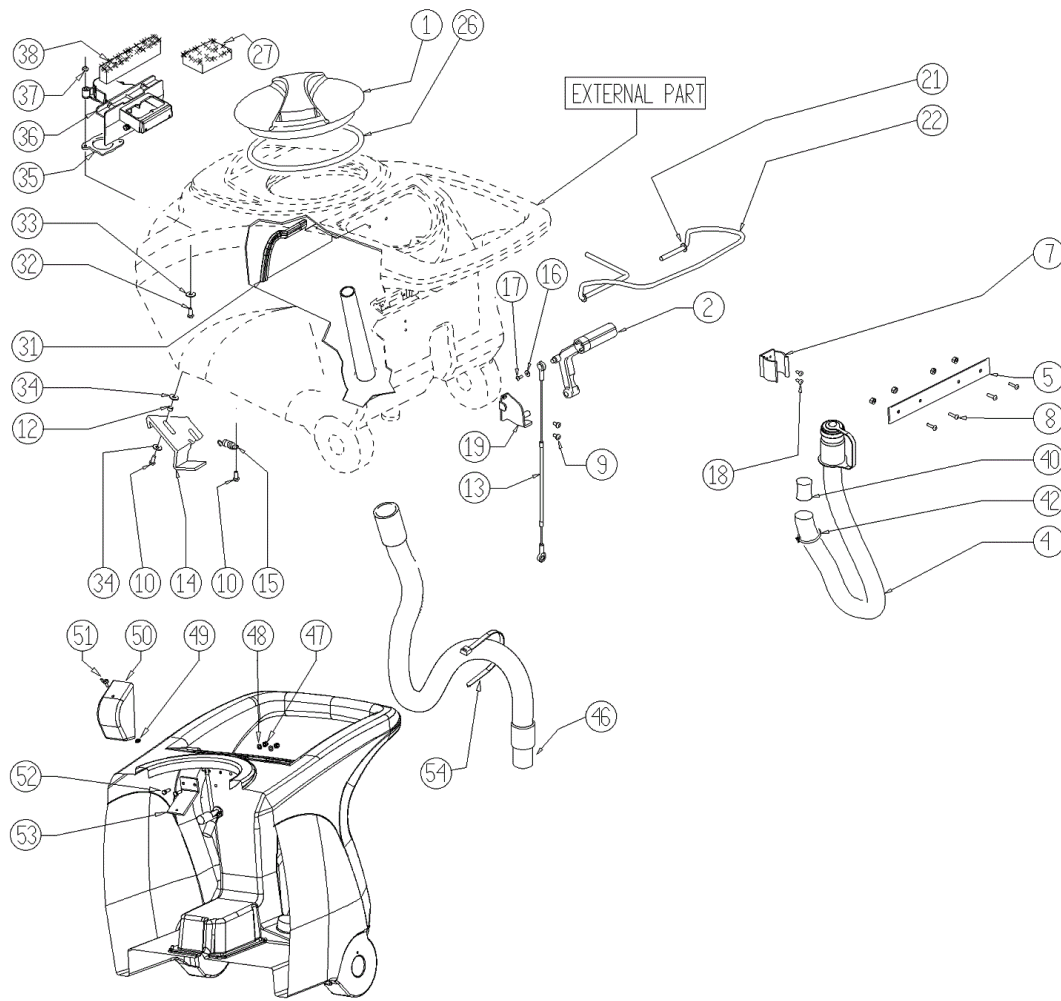


Ref.	K	Part N.	Customer Part N.	Description	Qty	Validity:		Price
						From	To	
0043		VTVT01683		SCREW TE 6X40	3,00			--
0044		MPVR05134		GASKET D.60 FORO D.12 SP.2	1,00			--
0045		VTVT01684		SCREW TE 6X45	1,00			--
0046		LAFN06898		SPACER 6-8 h15	1,00			--
0047		VTVT13937		SCREW TE M 8X 30 INX UNI 5739	2,00			--
0048		LAFN08999		BRACKET -	1,00			--
0049		VTVT13938		SCREW TE 8X20 UNI5739 INX	1,00			--
0050		VTRS13945		WASHER D. 6X18 INX UNI 6593	1,00			--
0051		LAFN35747		SPRING SUPPORT LAV. E/B 450	1,00			--
0052		VTRS15146		WASHER D. 8 INX GRW UNI 1751	1,00	03/2013		--

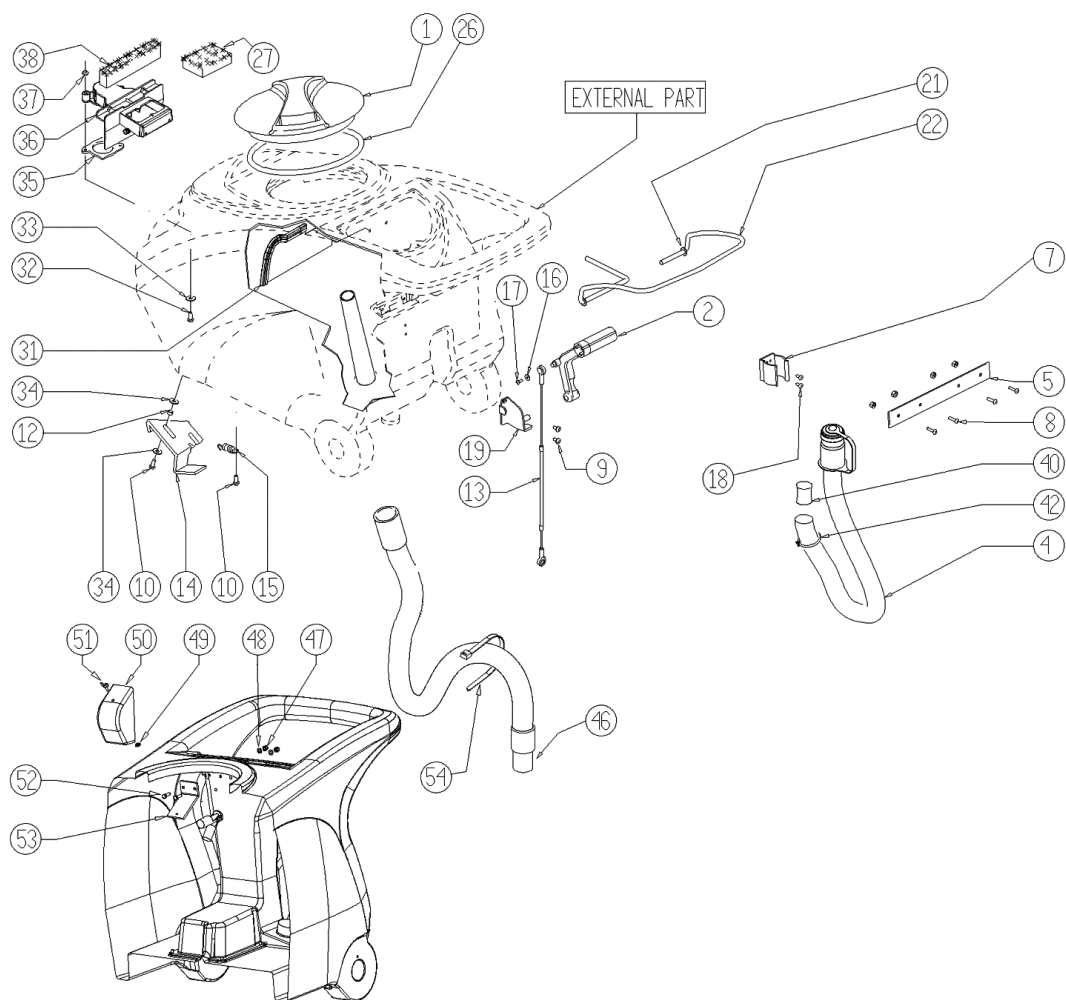




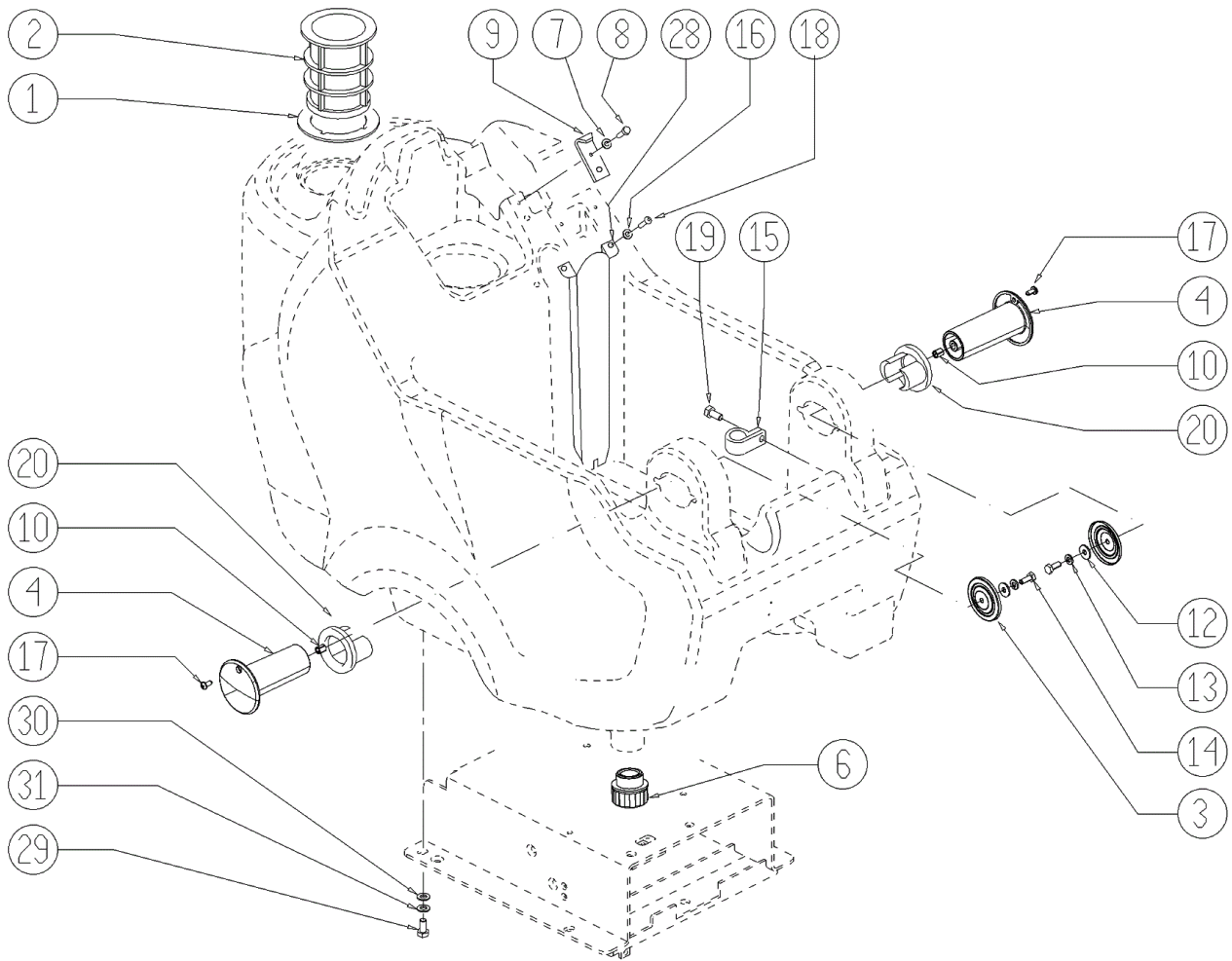
Ref.	K	Part N.	Customer Part N.	Description	Qty	Validity:		Price
						From	To	
0001		LAFN09302		CLOSURE -	2,00	09/2013		--
0002		MPVR49229		BUSHING SHK	2,00			--
0003		MPVR05290		ROLLER PARACOLPI	2,00			--
0004		GUGO00164		GASKET	2,00			--
0005		LAFN04100		SPACER PER RUOTINO PARACOLPI	2,00			--
0006		MPVR06003		KNOB AISI 304	2,00		03/2013	--
0006		MPVR06004		KNOB AISI 304	2,00	03/2013		--
0008		VTRS00245		WASHER D.6 UNI 6592 INOX	2,00			--
0009		LAFN09012		PLATE -	1,00			--
0010		GUVR00301		GASKET -	1,00			--
0011		GUVR00300		GASKET -	1,00			--
0012		LAFN09301		SOCKET -	2,00	09/2013		--
0014		LAFN08948		BRACKET -	1,00		09/2013	--
0014		LAFN09279		SHEET METAL PA.-	1,00	09/2013		--
0015		LAFN08949		BRACKET -	1,00		09/2013	--
0015		LAFN09280		SHEET METAL PA.-	1,00	09/2013		--
0016		MPVR05800		RUBBER BLADE FRONT SQUEEGEE S PU	1,00			--
0017		VTRS13945		WASHER D. 6X18 INX UNI 6593	4,00			--
0018		KTRI02048	KTRI02048	BODY SQUEEGEE PRESSOFUSO "S"	1,00			--
0019		VTVT00841		SCREW TE M 6X65 UNI 5739 INX	2,00			--
0020		VTVT15515		SCREW TE M 6X 50 INOX A2	2,00			--
0021		MPVR05897		CLOSURE S	2,00			--
0022		MPVR05802		RUBBER REAR SQUEEGEE S PU	1,00			--
0023		LAFN08950		BRACKET -	1,00		09/2013	--
0023		LAFN09281		SHEET METAL PA.-	1,00	09/2013		--
0024		LAFN08951		BRACKET -	1,00		09/2013	--
0024		LAFN09283		SHEET METAL PA.-	1,00	09/2013		--
0025		LAFN09013		PLATE -	1,00			--
0026		VTVR00565		INSERT	2,00			--
0027		VTDD00210		NUT M 3 INOX	8,00	09/2013		--
0028		VTVT01070		SCREW TSTC M3X8	8,00	09/2013		--



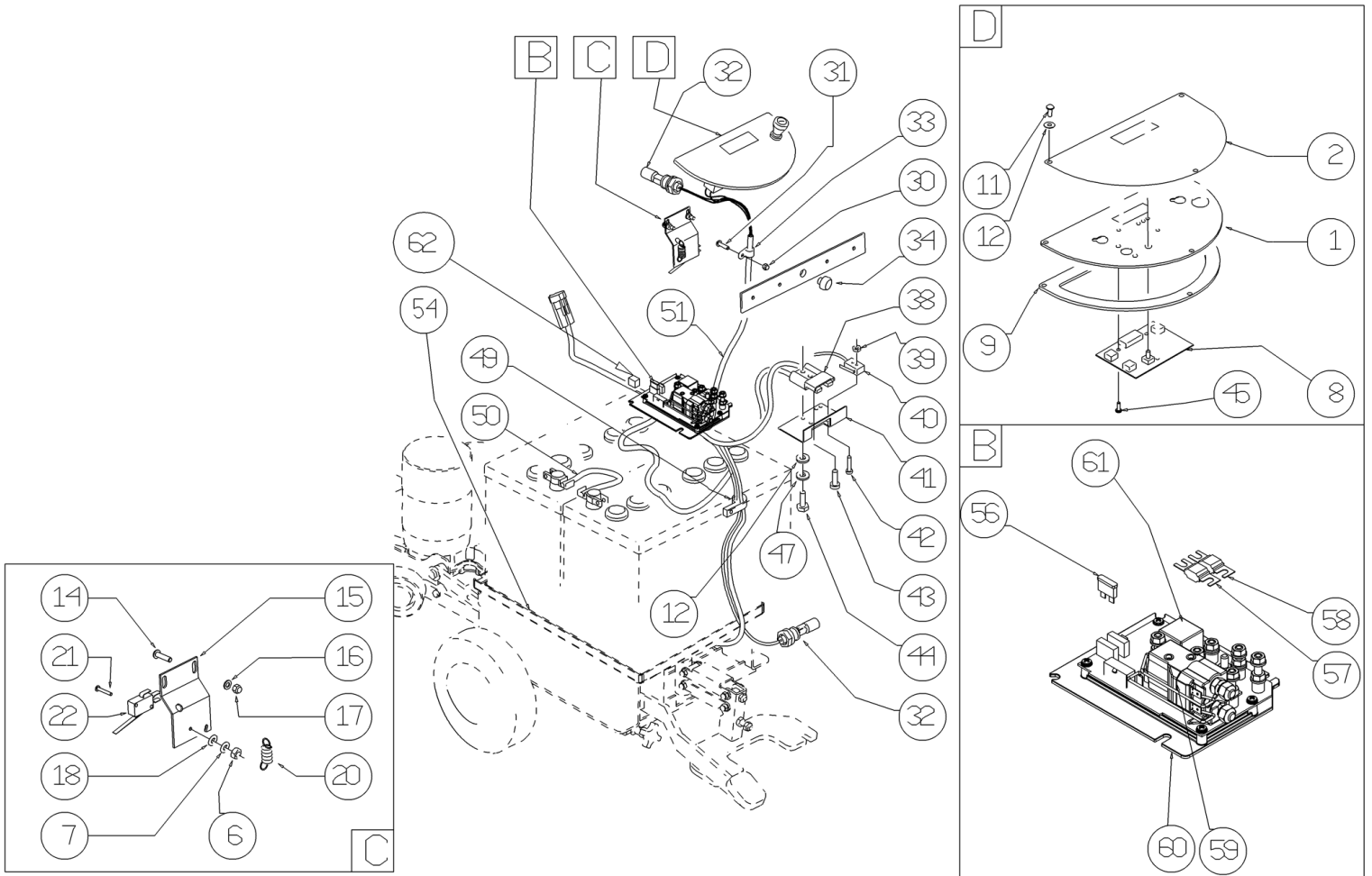
Ref. K	Part N.	Customer Part N.	Description	Qty	Validity:		Price
					From	To	
0001	MPVR04051		TANK CAP	1,00			--
0002	MPVR49942		LEVER SHK PP	1,00			--
0003	VTDD01694		NUT M6 INOX	4,00			--
0004	TBFX00348		TUBE CT40-70-90 HOSE DRAIN	1,00		04/2013	--
0004	TBFX00358		TUBE PU CT40/70/90	1,00	04/2013		--
0005	LAFN05865		PLATE COPRILEVA CONSENSO	1,00			--
0007	MPVR46988		CLIP LAV. SHK	1,00			--
0008	VTVT07725		SCREW TE 5X16 UNI5739 INX	4,00			--
0009	VTVT15906		SCREW TE 6X 12 A2 UNI 5739	2,00			--
0010	VTVT15143		SCREW TE 6X16 UNI5739	3,00			--
0012	LAFN03626		SPACER	1,00			--
0013	CMCV00361		CABLE CABLE LIFTING SQUEEGEE HD	1,00			--
0014	LAFN06490		HANDLE	1,00			--
0015	MLML00203		SPRING	1,00			--
0016	VTRS00251		WASHER 4-16 INOX A2	1,00			--
0017	VTVT00800		SCREW TC 4X12 ZN	1,00			--
0018	VTVT21096		SCREW TE M 4X 10 INX	2,00			--
0019	LAFN05870		BRACKET LEVA SOLLEVAM. SQUEEGEE	1,00			--
0021	VTRS13947		WASHER D. 8 INX UNI 6592	2,00			--
0022	LAFN05861		LEVER CONSENSO SPAZZOLE	1,00		06/2014	--
0022	LAFN09339		LEVER -	1,00	06/2014		--
0026	GUGO00263		GASKET CIRCOLARE TAPPO	1,00			--
0027	FTDP00133		FILTER	1,00			--
0031	MPVR07074		PLATE -	1,00			--
0032	VTVT00814		SCREW TE M.4-25	2,00			--
0033	VTRS00515		WASHER D. 4 INX	2,00			--
0034	VTRS00274		WASHER NYLON 66 D.8,4-17-2 UNI	4,00			--
0035	GUGO00417		GASKET SCATOLA ASPIRAZIONE	1,00			--
0036	MPVR05482		BOX -	1,00			--
0037	VTDD15925		NUT M 4 INX	2,00			--
0038	GUGO00418		GASKET CONDOTTO ASPIRAZIONE	1,00			--
0040	GUGO00245		GASKET	2,00			--
0042	FSVR43136		CLAMP D. 35-40 DF.	1,00			--
0046	TBFX00353		TUBE PU CT70-CT90	1,00			--
0047	VTDD01693		NUT M 5 INX	2,00			--
0048	VTRS00516		WASHER D. 5 INX	4,00			--
0049	VTVR01038		WASHER -	1,00			--
0050	MPVR05596		PROTECTION -	1,00			--
0051	VTVT01150		SCREW 4x10	1,00			--



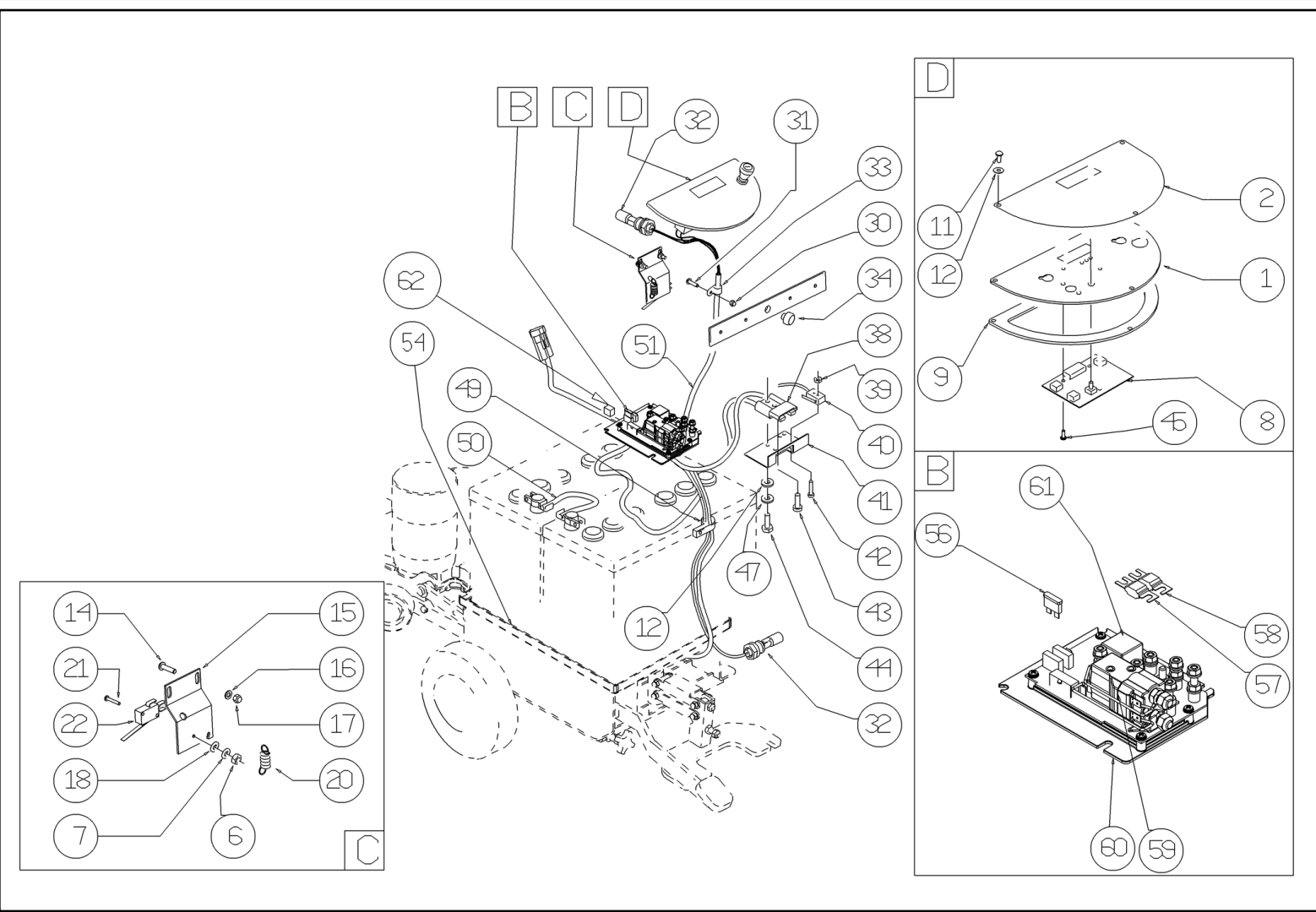
Ref.	K	Part N.	Customer Part N.	Description	Qty	Validity:		Price
						From	To	
0052		VTVT07726		SCREW TE 5X20	2,00			--
0053		LAFN07631		BRACKET -	1,00			--
0054		FSVR00248		CLAMP -	1,00			--



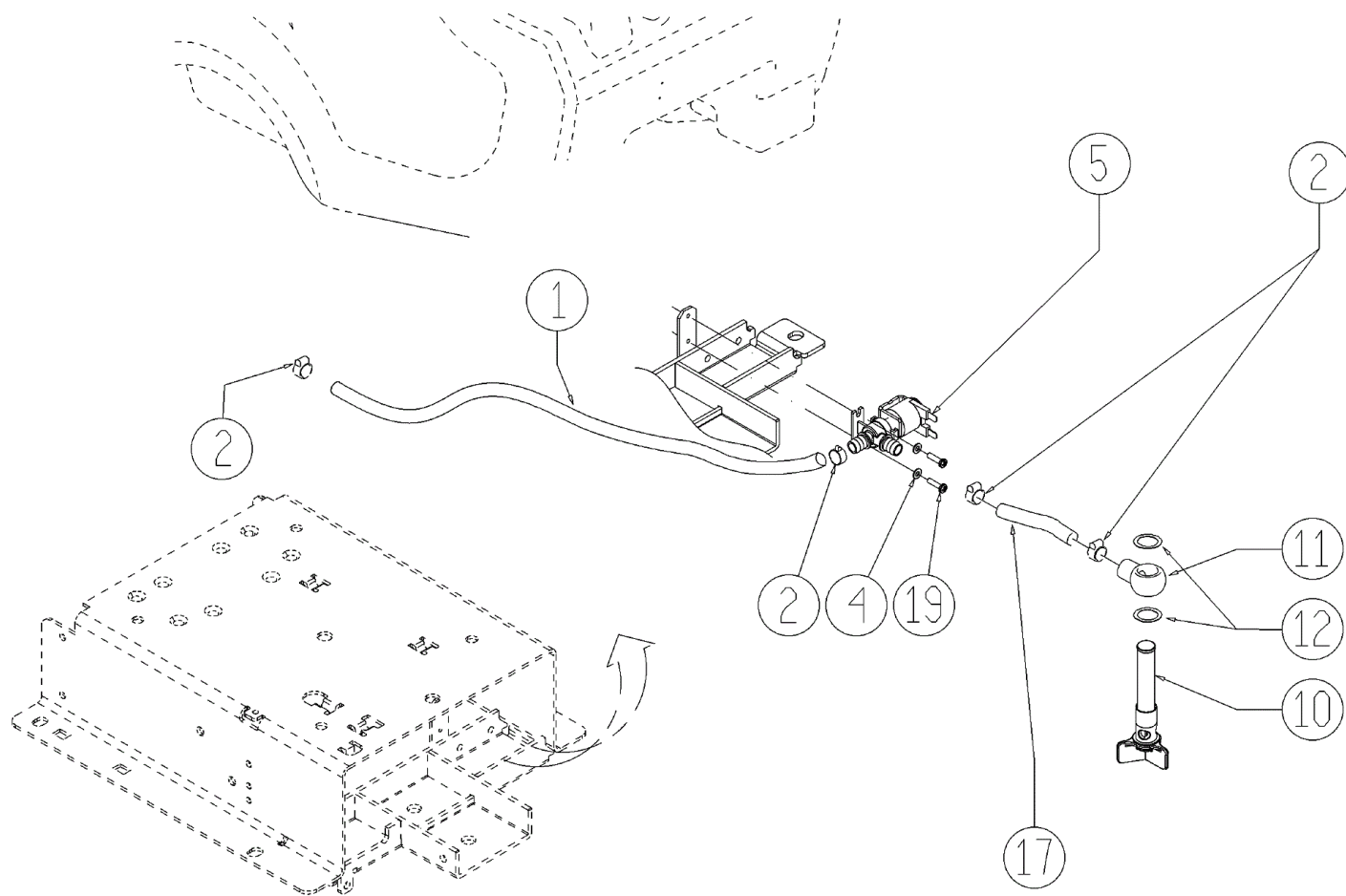
Ref.	K	Part N.	Customer Part N.	Description	Qty	Validity:		Price
						From	To	
0001		GUGO00267		GASKET FILTRO	1,00			--
0002		FTAC48857		FILTER ASP. ACQUA SERB. LAVAP.	1,00			--
0003		LAFN07800		SHEET METAL PA.-	2,00			--
0004		MPVR06407		PIN -	2,00	09/2014		--
0004		MPVR48695		PIN SHK.BK	2,00		09/2014	--
0006		MPVR08003		CAP	1,00			--
0007		VTRS15144		WASHER D. 6 INX GRW UNI 1751	1,00			--
0008		VTVT01303		SCREW TE M6-10 INOX	1,00			--
0009		LAFN06489		PLATE	1,00			--
0010		VTVR48693		INSERT M6 D.9	1,00			--
0012		VTRS13945		WASHER D. 6X18 INX UNI 6593	2,00			--
0013		VTRS15144		WASHER D. 6 INX GRW UNI 1751	2,00			--
0014		VTVT15143		SCREW TE 6X16 UNI5739	2,00			--
0015		FSVR00099		CLAMP FERMATUBO	2,00			--
0016		VTRS00515		WASHER D. 4 INX	2,00			--
0017		VTVT48694		SCREW TCB TC 5 X12 UNI 9707 TZ	2,00		09/2014	--
0018		VTVT37012		SCREW M 4X 10 TCB-TC INX	2,00			--
0019		VTVT15961		SCREW M 5X 16 TCB TC UNI 7687	1,00			--
0020		PMVR02028		RUBBER GRUPPO MONTAGGIO	2,00			--
0028		MPVR51085		FLAP POSTER.TERGI 950 MAGG.	1,00			--
0029		VTVT15916		SCREW TE M 8X 16 UNI 5739 A2	4,00			--
0030		VTRS13947		WASHER D. 8 INX UNI 6592	4,00			--
0031		VTRS00269		WASHER D. 8 DIN 6798-A INX A2	4,00			--



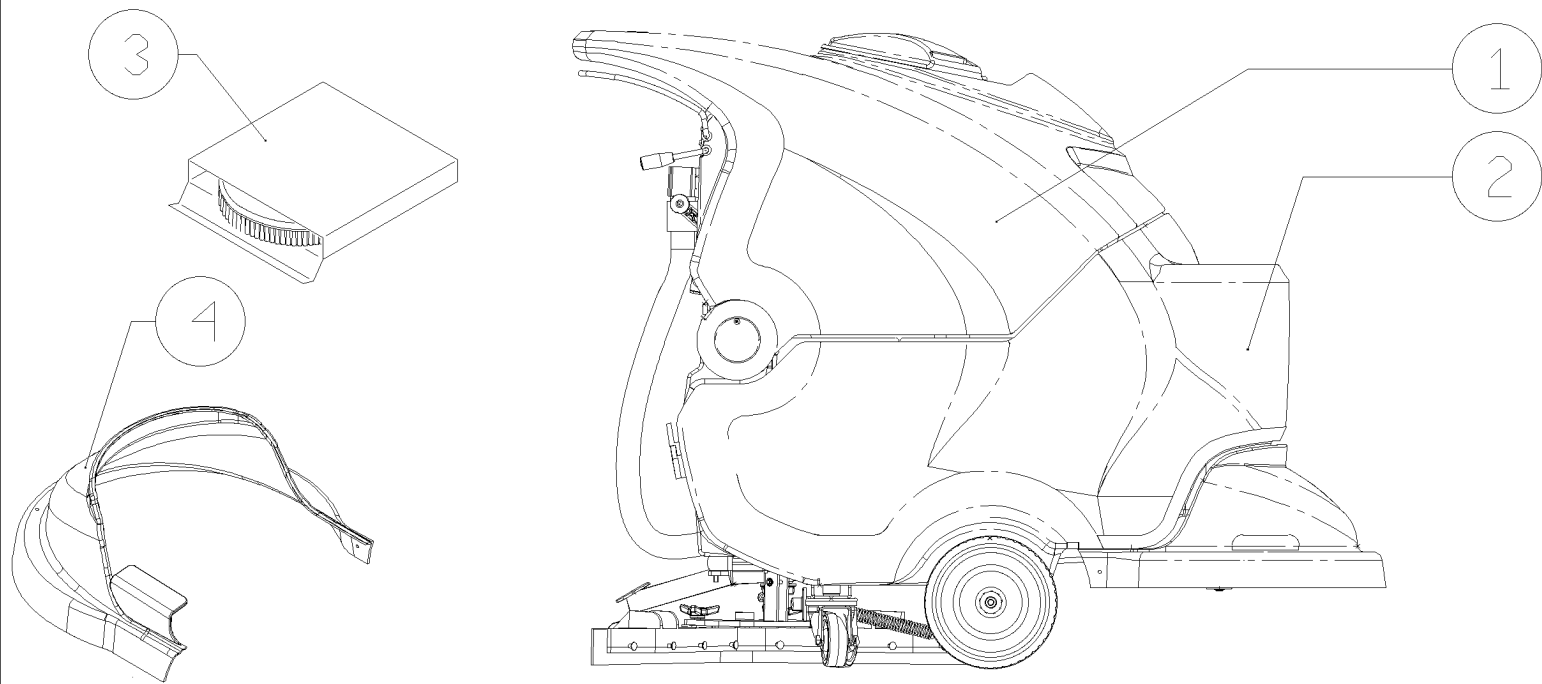
Ref.	K	Part N.	Customer Part N.	Description	Qty	Validity:		Price
						From	To	
0001		LAFN08989		SUPPORT -	1,00			--
0002		ETET01670		LABEL -	1,00			--
0006		VTDD21115		NUT M 3 INOX	7,00			--
0007		VTRS00268		WASHER D.3	7,00			--
0008		MECE00484		BOARD CT40B EV	1,00			--
0009		GUGO38417		GASKET PANN.COM.EXTREME	1,00			--
0011		VTVT37012		SCREW M 4X 10 TCB-TC INX	3,00			--
0012		VTRS00515		WASHER D. 4 INX	10,00			--
0014		VTVT07725		SCREW TE 5X16 UNI5739 INX	2,00			--
0015		LAFN05904		PLATE MICRO LEVA	1,00			--
0016		VTRS00516		WASHER D. 5 INX	2,00			--
0017		VTDD01693		NUT M 5 INX	2,00			--
0018		VTRS21116		WASHER D. 3 INX	2,00			--
0020		MLML00203		SPRING	1,00	07/2014		--
0020		MLML34726		SPRING TR E350 N	1,00		07/2014	--
0021		VTVT01316		SCREW TC+ M3-16	2,00			--
0022		MECI36393		MICROSWITCH TRZ. DRW	1,00			--
0030		VTDD15925		NUT M 4 INX	1,00			--
0031		VTVT00704		SCREW TE M 4X 16 UNI5739 INOX	5,00			--
0032		MECI00516		SENSOR DI LIVELLO ORIZZONTALE	2,00			--
0033		FSVR00099		CLAMP FERMATUBO	1,00			--
0034		MPVR00043		CAP CHIUS.FORO PORTAFUS.L 15	1,00			--
0038		MEVR01707		CONNECTOR -	1,00			--
0039		VTDD08634		NUT M2	2,00			--
0040		MECI00334		MICROSWITCH V4	1,00			--
0041		LAFN06409		SUPPORT -	1,00			--
0042		VTVT00671		SCREW TC- M.2-16 OTTONE	2,00			--
0043		VTVT00872		SCREW TSP+ 2.9X13 AUTOFIL. INOX	1,00			--
0044		VTVT00814		SCREW TE M.4-25	2,00			--
0045		VTVT00722		SCREW	2,00			--
0047		VTRS15913		WASHER D. 4 GROVER A2 UNI1751	2,00			--
0049		FSVR00099		CLAMP FERMATUBO	1,00			--
0050		MEVR34820		WIRING B 450 BT	1,00			--
0051		MECB01252		WIRING	1,00			--
0054		LAFN35588		BATTERY SUPPORTLAV. BT	1,00			--
0056		MEVR01428		FUSE A LAMA 2 A. UNIVAL	1,00			--
0057		MEVR02061		FUSE 80A	1,00			--
0058		MEVR02060		FUSE 40A	1,00			--
0059		METT00085		CONTACTOR 100A	1,00			--



Ref.	K	Part N.	Customer Part N.	Description	Qty	Validity:		Price
						From	To	
0060		MECE00574		BOARD CT40-70-90	1,00			--
0061		MECE00139		RELAY POTENZA 24V	1,00			--
0062		GUGO00460		MOUSSE 20x15x18	1,00	05/2015		--

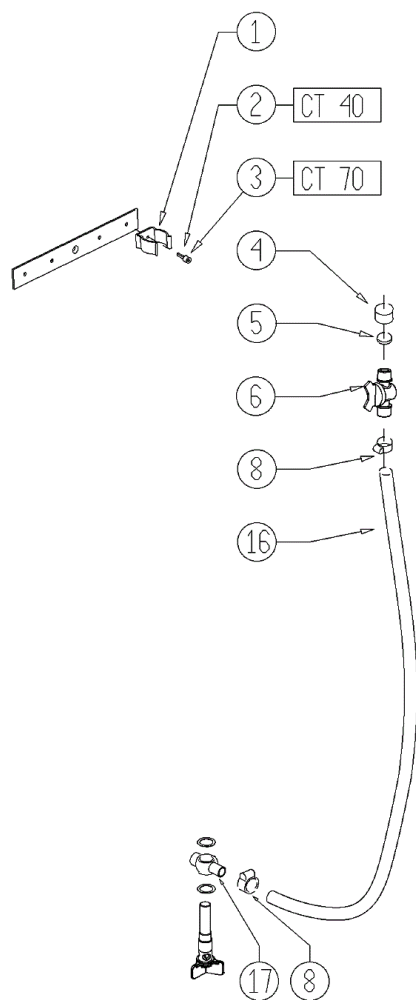


Ref.	K	Part N.	Customer Part N.	Description	Qty	Validity:		Price
						From	To	
0001		TBFX48011		TUBE FLEX D.12X3 ARMORV.PVC TR	0,71			--
0002		FSVR00428		CLAMP D. 12-20	4,00			--
0004		VTRS00515		WASHER D. 4 INX	2,00			--
0005		MEEV00036		SOLENOID VALVE HOLE 8mm CLEANTIME	1,00			--
0010		MPVR05221		FILTER COMPLETO	1,00		02/2013	--
0010		MPVR06303		FILTER CT40-70-90	1,00	02/2013		--
0011		LAFN07783		CONNECTOR -	1,00			--
0012		VTRS00567		WASHER 1/2	2,00			--
0017		TBFX48011		TUBE FLEX D.12X3 ARMORV.PVC TR	0,17			--
0019		VTVT01158		SCREW M4x16	2,00			--

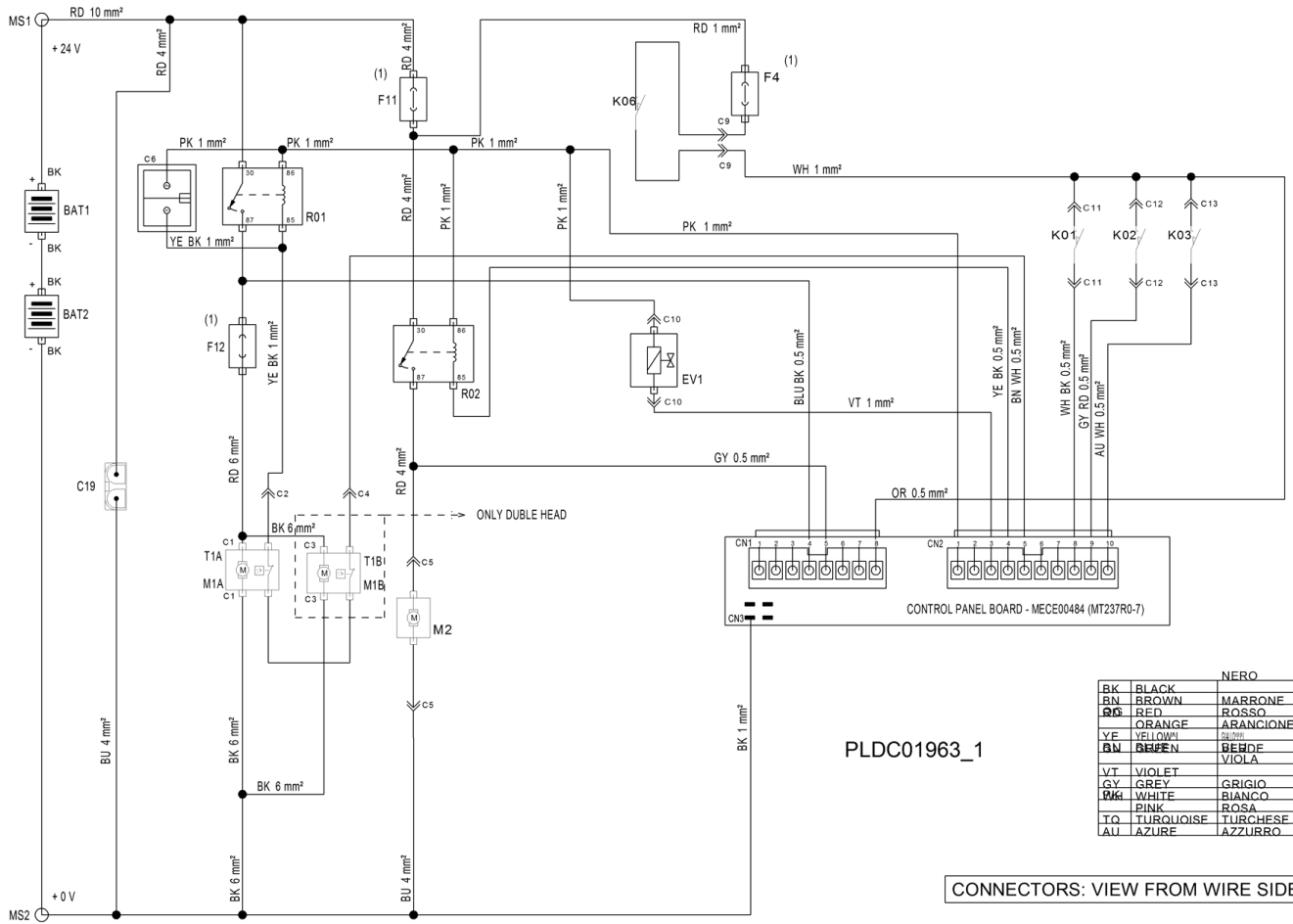


Ref.	K	Part N.	Customer Part N.	Description	Qty	Validity:		Price
						From	To	
0001		MPVR07066		TANK RECOVERY CT40 PANTONE 368	1,00			--
0002		MPVR05090		TANK SOLUTION RAL7024	1,00			--
0003		SPPV43963		BRUSH NYL 0.8 500	1,00			--
0004		MPVR04722		BRUSH PROTECT. 55	1,00			--





Ref.	K	Part N.	Customer Part N.	Description	Qty	Validity:		Price
						From	To	
0001		MPVR05280		CLIP M25	1,00			--
0002		VTVT19236		SCREW TCEI 5X20 UNI 5931	1,00			--
0003		VTVT01327		SCREW TCEI 5X25 UNI5931	1,00			--
0004		RCVR00353		CAP 1/2"G X ELETTR. ACL	1,00			--
0005		GUGO00268		GASKET D.21 SP.3 GOMMA	1,00			--
0006		RCVR00590		CONNECTOR 1/2 M RESCA 15	1,00			--
0008		FSVR00428		CLAMP D. 12-20	4,00			--
0016		TBBP00435		TUBE D.16	1,00			--
0017		RCVR00767		CONNECTOR -	1,00			--



Ref.	K	Part N.	Customer Part N.	Description	Qty	Validity:		Price
						From	To	
EV1		MEEV00036		SOLENOID VALVE HOLE 8mm CLEANTIME	1,00			--
F11		MEVR02060		FUSE 40A	1,00			--
F12		MEVR02061		FUSE 80A	1,00			--
F4		MEVR01428		FUSE A LAMA 2 A. UNIVAL	1,00			--
R01		METT00085		CONTACTOR 100A	1,00			--

## COMPONENTS

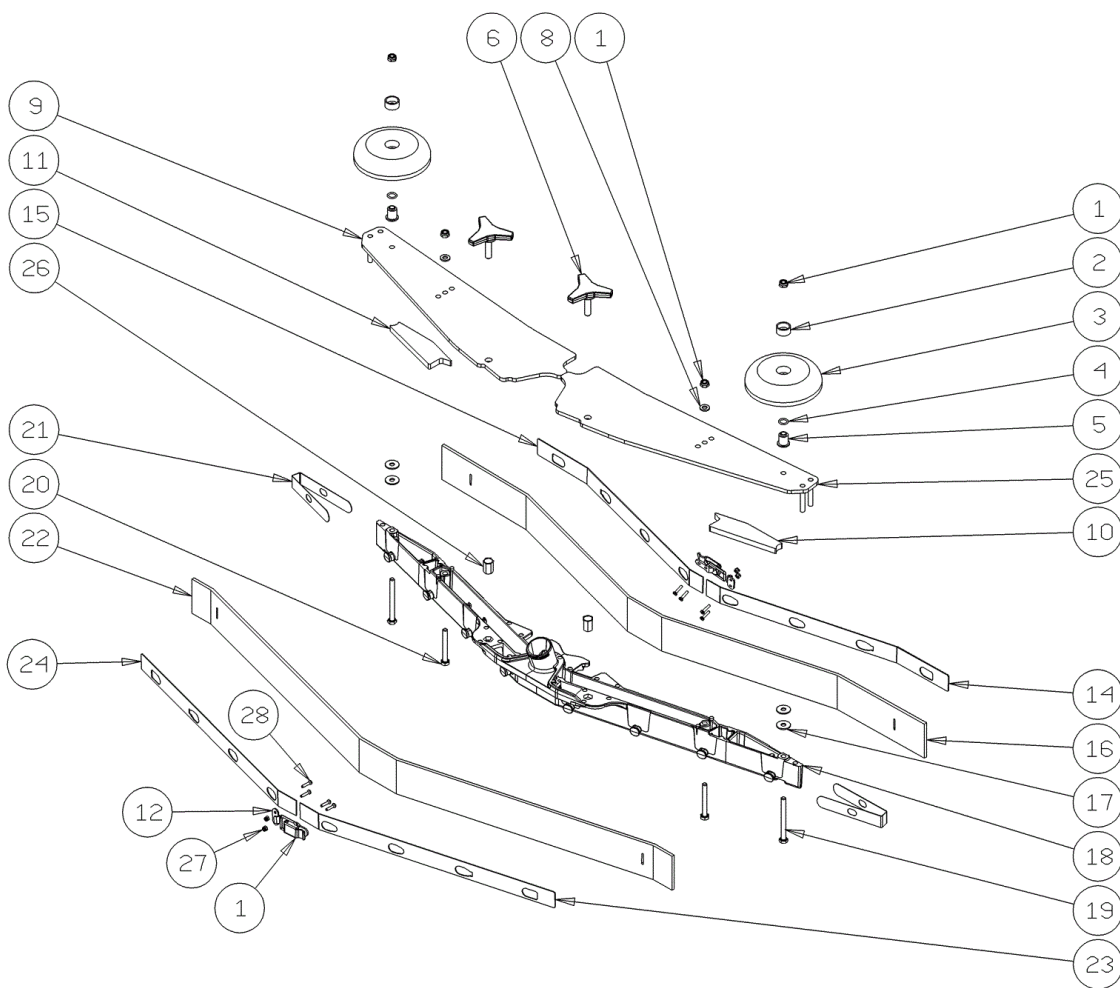
(1)	F12	FUSE- BRUSH MOTORS (50 A)	FUSIBILE SPAZZOLE POTENZA (50 A)
(1)	F11	FUSE-VACUUM MOTOR (40 A)	FUSIBILE ASPIRATORE POTENZA (40 A)
(1)	F4	FUSE-CONTROL PANEL (2 A)	
	R01	RELAY- BRUSH MOTORS	TELERUTTORE SPAZZOLE
	R02	RELAY- VACUUM MOTOR	RELE' ASPITATORE
	EV1	ELECTRO-VALVE	ELETTROVALVOLA ACQUA
	K01	SWITCH- HAND LEVER	MICRO LEVA TRZIONE
	K02	SWITCH- RECOVERY TANK LEVEL (MAX)	LIVELLO TROPPO PIENO (N.O.)
	K03	SWITCH- SOLUTION TANK LEVEL ( MIN )	LIVELLO MINIMO SERBATOIO (N.O.)
	K06	SWITCH- BATTERY RECHARGE SAFETY	MICRO SICUREZZA RICARICA BATTERIE
	M1A	MOTOR- BRUSH 1	MOTORE SPAZZOLA -1
	M1B	MOTOR- BRUSH 2 (ONLY DUBLE HEAD)	MOTORE SPAZZOLA -2 (ONLY DUBLE HEAD)
	M2	MOTOR- VACUUM	MOTORE ASPIRATORE
	T1A	THERMIC SWITCH BRUSH MOTOR 1	TERMICA MOTORE SPAZZOLA -1
	T1B	THERMIC SWITCH BRUSH MOTOR 2 (ONLY DUBLE HEAD)	TERMICA MOTORE SPAZZOLA -2 (ONLY DUBLE HEAD)

PLDC01963\_1

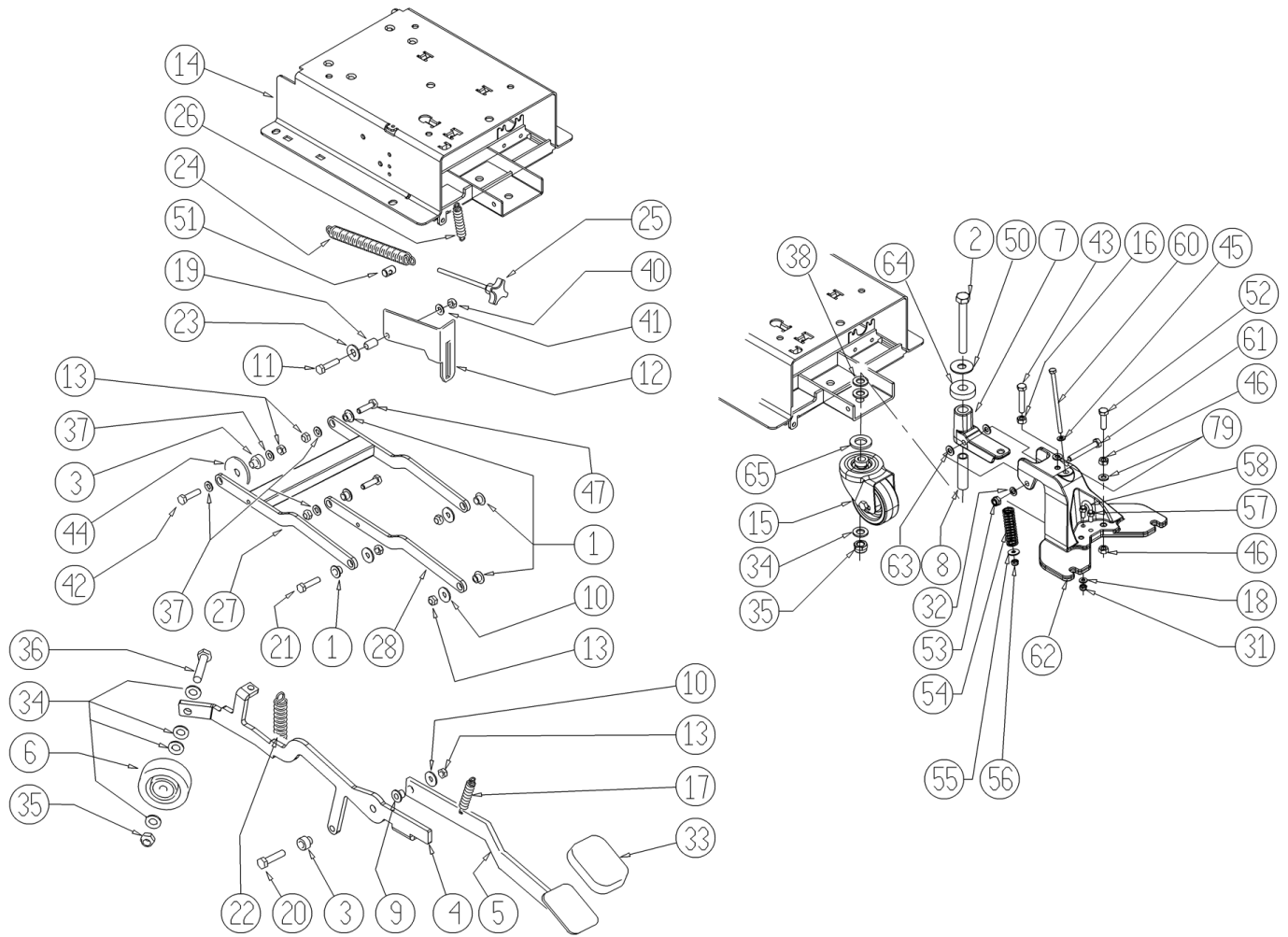
## COMPONENTS

MS1	CONNECTOR- BATTERY POSITIVE	MORSETTO BATTERIA POSITIVO
MS2	CONNECTOR- BATTERY NEGATIVE	MORSETTO BATTERIA NEGATIVO
C1	CONNECTOR- BRUSH MOTOR 1	CONN. MOTORE SPAZZOLA -1
C2	CONNECTOR- THERMIC SW. BRUSH MOTOR 1	CONN. TERMICA MOTORE SPAZZOLA -1
C3	CONNECTOR- BRUSH MOTOR 2	CONN. MOTORE SPAZZOLA -2
C4	CONNECTOR- THERMIC SW. BRUSH MOTOR 2	CONN. TERMICA MOTORE SPAZZOLA -2
C5	CONNECTOR- VACUUM MOTOR	CONN. MOTORE ASPIRAZIONE
C6	CONNECTOR- "CHEM DOSE" ACCESSORY	CONN. CHEM-DOS
C9	CONNECTOR- BATTERY RECHARGE SAFETY	CONN.SICUREZZA RICARICA BATTERIE
C10	CONNECTOR- BOARD/ ELECTROVALVE	CONN. E.V. H2O DA SCHEDA ELETTRONICA
C11	CONNECTOR- HAND LEVER	CONN. LEVA TRAZIONE
C12	CONNECTOR- RECOVERY TANK LEVEL (MAX)	CONN. LIVELLO TROPPO PIENO
C13	CONNECTOR- SOLUTION TANK LEVEL ( MIN )	CONN. LIVELLO MINIMO
C15	CONNECTOR- EXTERNAL BATT.CHARGER	CONN. MICRO C.B. ESTERNO
C17		
C19	CONNECTOR- BATTERY RECHARGE	SPINA ANDERSON RICARICA BATTERIE
CN1	CONNECTOR- CONTROL PANEL BOARD	CONN. 1 SCHEDA PLANCIA
CN2	CONNECTOR- CONTROL PANEL BOARD	CONN. 2 SCHEDA PLANCIA
CN3	CONNECTOR- CONTROL PANEL BOARD	CONN. 3 SCHEDA PLANCIA

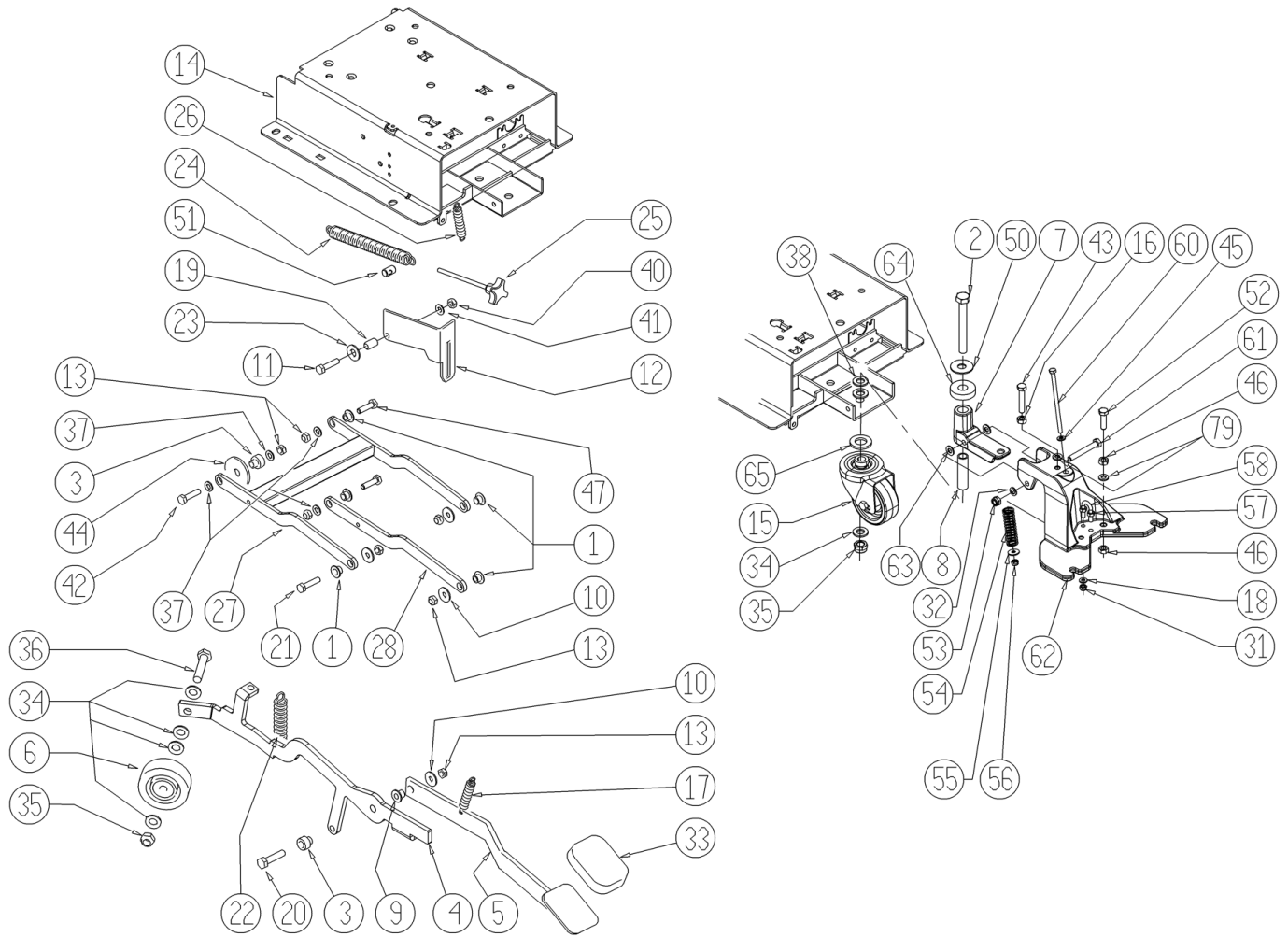
Ref. K	Part N.	Customer Part N.	Description	Qty	Validity:		Price
					From	To	
EV1	MEEV00036		SOLENOID VALVE HOLE 8mm CLEANTIME	1,00			--
F11	MEVR02060		FUSE 40A	1,00			--
F12	MEVR02061		FUSE 80A	1,00			--
F4	MEVR01428		FUSE A LAMA 2 A. UNIVAL	1,00			--
R01	METT00085		CONTACTOR 100A	1,00			--



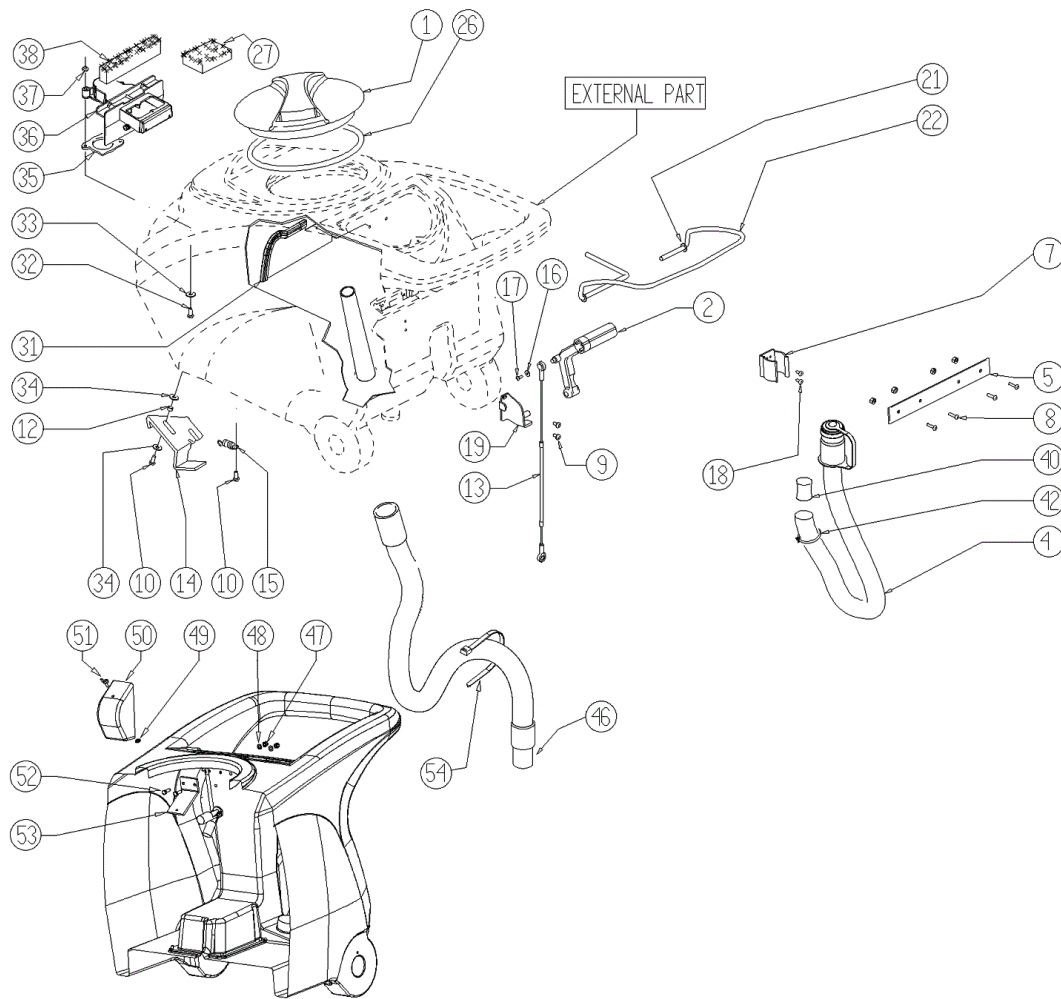
Ref. K	Part N.	Customer Part N.	Description	Qty	Validity:		Price
					From	To	
0001	LAFN09302		CLOSURE -	2,00	09/2013		--
0002	MPVR49229		BUSHING SHK	2,00			--
0003	MPVR05290		ROLLER PARACOLPI	2,00			--
0004	GUGO00164		GASKET	2,00			--
0005	LAFN04100		SPACER PER RUOTINO PARACOLPI	2,00			--
0006	MPVR06003		KNOB AISI 304	2,00		03/2013	--
0006	MPVR06004		KNOB AISI 304	2,00	03/2013		--
0008	VTRS00245		WASHER D.6 UNI 6592 INOX	2,00			--
0009	LAFN09012		PLATE -	1,00			--
0010	GUVR00301		GASKET -	1,00			--
0011	GUVR00300		GASKET -	1,00			--
0012	LAFN09301		SOCKET -	2,00	09/2013		--
0014	LAFN08948		BRACKET -	1,00		09/2013	--
0014	LAFN09279		SHEET METAL PA.-	1,00	09/2013		--
0015	LAFN08949		BRACKET -	1,00		09/2013	--
0015	LAFN09280		SHEET METAL PA.-	1,00	09/2013		--
0016	MPVR08039		BLADE S LATEX	1,00			--
0017	VTRS13945		WASHER D. 6X18 INX UNI 6593	4,00			--
0018	KTRI02048	KTRI02048	BODY SQUEEGEE PRESSOFUSO "S"	1,00			--
0019	VTVT00841		SCREW TE M 6X65 UNI 5739 INX	2,00			--
0020	VTVT15515		SCREW TE M 6X 50 INOX A2	2,00			--
0021	MPVR05897		CLOSURE S	2,00			--
0022	MPVR08035		BLADE S LATEX	1,00			--
0023	LAFN08950		BRACKET -	1,00		09/2013	--
0023	LAFN09281		SHEET METAL PA.-	1,00	09/2013		--
0024	LAFN08951		BRACKET -	1,00		09/2013	--
0024	LAFN09283		SHEET METAL PA.-	1,00	09/2013		--
0025	LAFN09013		PLATE -	1,00			--
0026	VTVR00565		INSERT	2,00			--
0027	VTDD00210		NUT M 3 INOX	8,00	09/2013		--
0028	VTVT01070		SCREW TSTC M3X8	8,00	09/2013		--



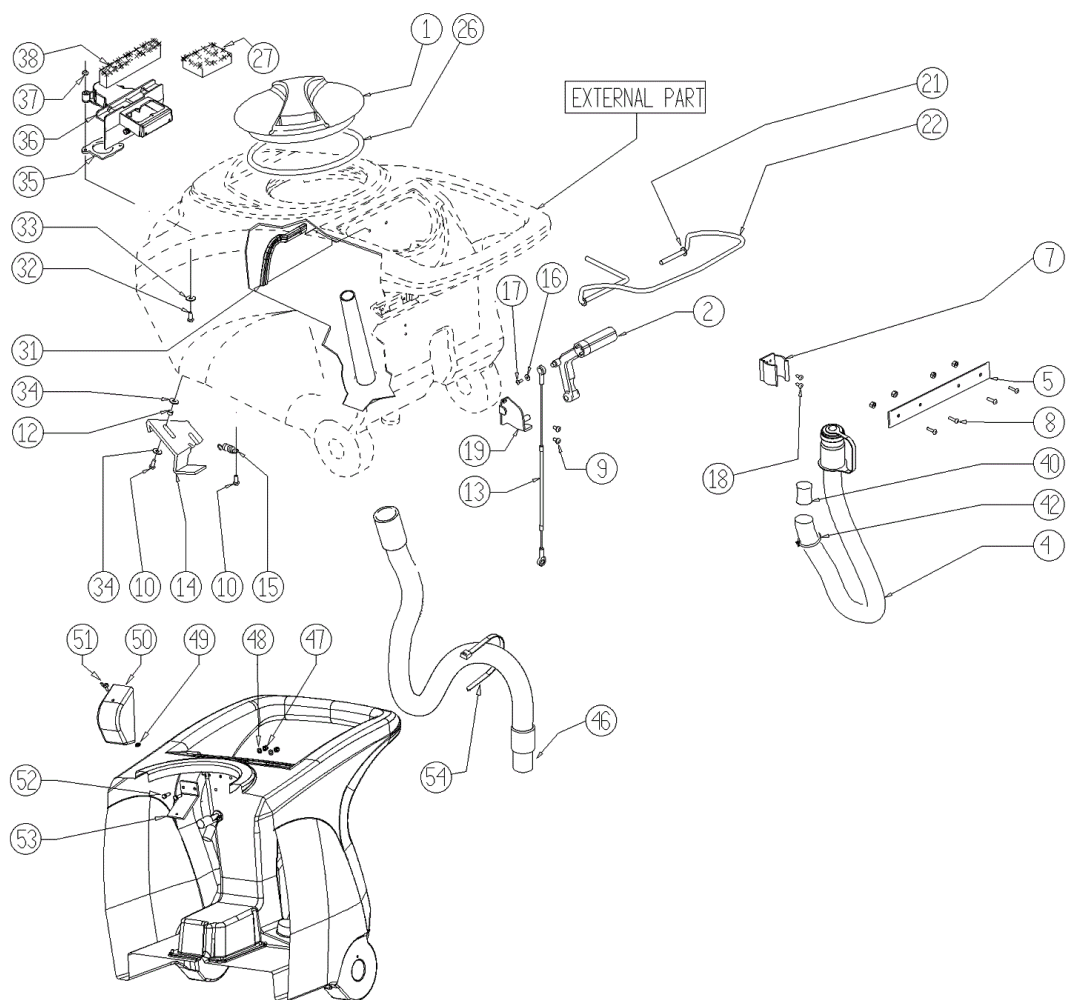
Ref.	K	Part N.	Customer Part N.	Description	Qty	Validity: From To	Price
0001		LAFN06391		BUSHING PARALLELOGRAMMA	5,00		--
0002		VTVT00285		SCREW TE M12X110	1,00		--
0003		LAFN04190		BUSHING PARALLELOGR.TEST.GR.	2,00		--
0004		LAFN07872		LEVER -	1,00		--
0005		LAFN09270		PEDALE -	1,00		--
0006		RTRT49171		CASTER D. 80-12	1,00		--
0007		MFVR00226		SUPPORT SQUEEGEE	1,00		--
0008		LAFN09006		PIN -	1,00		--
0009		LAFN51068	#8479.90.9498	BUSHING LEVA POSTER.	1,00		--
0010		VTRS13946		WASHER D. 8 X24 INX UNI 6593	4,00		--
0011		VTVT00161		SCREW TE M6X20	1,00		--
0012		LAFN10124		PLATE	1,00		--
0013		VTDD01695		NUT M 8 INX	7,00		--
0014		LAFN07293		BASE SERBATOIO	1,00		--
0015		RTRT00276		SMALL WHEEL GIREVOLE PER SPAZZANTE	1,00		--
0016		VTDD15521		NUT M 8 INX A2 UNI 5588	1,00		--
0017		MLML34726		SPRING TR E350 N	1,00		--
0018		VTRS00245		WASHER D.6 UNI 6592 INOX	2,00		--
0019		LAFN03840		BUSHING	1,00		--
0020		VTVT15917		SCREW TE M 8X50 INOX A2 UNI	1,00		--
0021		VTVT15907		SCREW TE 8X25 UNI5739 INX	3,00		--
0022		MLML00313		SPRING -	1,00		--
0023		VTRS00274		WASHER NYLON 66 D.8,4-17-2 UNI	1,00		--
0024		MLML31130		SPRING D. 17.5 X110 N38	1,00		--
0025		VTVR35749		HANDWHEEL M 6MAX110 D.35	1,00		--
0026		MLML00303		SPRING REGISTRAZIONE FLAP	1,00		--
0027		LAFN06388		ARM TESTATA SUPERIORE	1,00		--
0028		LAFN06389		ARM PARALLELOGRAMMA	1,00		--
0031		VTDD01694		NUT M6 INOX	2,00		--
0032		VTRS13947		WASHER D. 8 INX UNI 6592	1,00		--
0033		MPVR05186		COVER -	1,00		--
0034		VTRS15978		WASHER D.12X24 UNI 6592 INX	5,00		--
0035		VTDD00176		NUT M.12 INOX A2 BASSO AUTOB.	3,00		--
0036		VTVT00836		SCREW TE M12-60 INOX	1,00		--
0037		VTRS13947		WASHER D. 8 INX UNI 6592	4,00		--
0038		VTRS15978		WASHER D.12X24 UNI 6592 INX	2,00		--
0040		VTDD01694		NUT M6 INOX	5,00		--
0041		VTRS00245		WASHER D.6 UNI 6592 INOX	1,00		--
0042		VTVT00410		SCREW TE M8x35 UNI5739 INOX	1,00		--



Ref.	K	Part N.	Customer Part N.	Description	Qty	Validity:		Price
						From	To	
0043		VTVT15371		SCREW TE M 8X45 INOX A2 UNI	1,00			--
0044		MPVR05134		GASKET D.60 FORO D.12 SP.2	1,00			--
0045		VTRS00245		WASHER D.6 UNI 6592 INOX	1,00			--
0046		VTDD15521		NUT M 8 INX A2 UNI 5588	2,00			--
0047		VTVT13937		SCREW TE M 8X 30 INX UNI 5739	2,00			--
0050		VTRS09142		WASHER D.12 X 36	1,00			--
0051		LAFN35747		SPRING SUPPORT LAV. E/B 450	1,00			--
0052		VTVT13937		SCREW TE M 8X 30 INX UNI 5739	1,00			--
0053		VTDD01695		NUT M 8 INX	1,00			--
0054		MLML00338		SPRING -	1,00			--
0055		VTRS13945		WASHER D. 6X18 INX UNI 6593	1,00			--
0056		VTDD01694		NUT M6 INOX	1,00			--
0057		VTDD00053		NUT M6 INOX UNI5589	2,00			--
0058		LAFN09231		BRACKET M6X11X29	1,00			--
0060		VTVT01008		SCREW 6X110	1,00			--
0061		VTVT01009		SCREW 8X60	1,00			--
0062		MFVR00227		SUPPORT SQUEEGEE	1,00			--
0063		VTRS00274		WASHER NYLON 66 D.8,4-17-2 UNI	2,00			--
0064		MPVR06069		WASHER 15X40	1,00			--
0065		VTRS09142		WASHER D.12 X 36	1,00			--
0079		VTRS15146		WASHER D. 8 INX GRW UNI 1751	1,00			--



Ref. K	Part N.	Customer Part N.	Description	Qty	Validity:		Price
					From	To	
0001	MPVR04051		TANK CAP	1,00			--
0002	MPVR49942		LEVER SHK PP	1,00			--
0003	VTDD01694		NUT M6 INOX	4,00			--
0004	TBFX00348		TUBE CT40-70-90 HOSE DRAIN	1,00		04/2013	--
0004	TBFX00358		TUBE PU CT40/70/90	1,00	04/2013		--
0005	LAFN05865		PLATE COPRILEVA CONSENSO	1,00			--
0007	MPVR46988		CLIP LAV. SHK	1,00			--
0008	VTVT07725		SCREW TE 5X16 UNI5739 INX	4,00			--
0009	VTVT15906		SCREW TE 6X 12 A2 UNI 5739	2,00			--
0010	VTVT15143		SCREW TE 6X16 UNI5739	3,00			--
0012	LAFN03626		SPACER	1,00			--
0013	CMCV00464		CABLE SOLLEVAMENTO TERGI	1,00			--
0014	LAFN06490		HANDLE	1,00			--
0015	MLML00203		SPRING	1,00			--
0016	VTRS00251		WASHER 4-16 INOX A2	1,00			--
0017	VTVT00800		SCREW TC 4X12 ZN	1,00			--
0018	VTVT21096		SCREW TE M 4X 10 INX	2,00			--
0019	LAFN05870		BRACKET LEVA SOLLEVAM. SQUEEGEE	1,00			--
0021	VTRS13947		WASHER D. 8 INX UNI 6592	2,00			--
0022	LAFN05861		LEVER CONSENSO SPAZZOLE	1,00		06/2014	--
0022	LAFN09339		LEVER -	1,00	06/2014		--
0026	GUGO00263		GASKET CIRCOLARE TAPPO	1,00			--
0027	FTDP00133		FILTER	1,00			--
0031	MPVR07074		PLATE -	1,00			--
0032	VTVT00814		SCREW TE M.4-25	2,00			--
0033	VTRS00515		WASHER D. 4 INX	2,00			--
0034	VTRS00274		WASHER NYLON 66 D.8,4-17-2 UNI	4,00			--
0035	GUGO00417		GASKET SCATOLA ASPIRAZIONE	1,00			--
0036	MPVR05482		BOX -	1,00			--
0037	VTDD15925		NUT M 4 INX	2,00			--
0038	GUGO00418		GASKET CONDOTTO ASPIRAZIONE	1,00			--
0040	GUGO00245		GASKET	2,00			--
0042	FSVR43136		CLAMP D. 35-40 DF.	1,00			--
0046	TBFX00353		TUBE PU CT70-CT90	1,00			--
0047	VTDD01693		NUT M 5 INX	2,00			--
0048	VTRS00516		WASHER D. 5 INX	4,00			--
0049	VTVR01038		WASHER -	1,00			--
0050	MPVR05596		PROTECTION -	1,00			--
0051	VTVT01150		SCREW 4x10	1,00			--



Ref.	K	Part N.	Customer Part N.	Description	Qty	Validity:		Price
						From	To	
0052		VTVT07726		SCREW TE 5X20	2,00			--
0053		LAFN07631		BRACKET -	1,00			--
0054		FSVR00248		CLAMP -	1,00			--