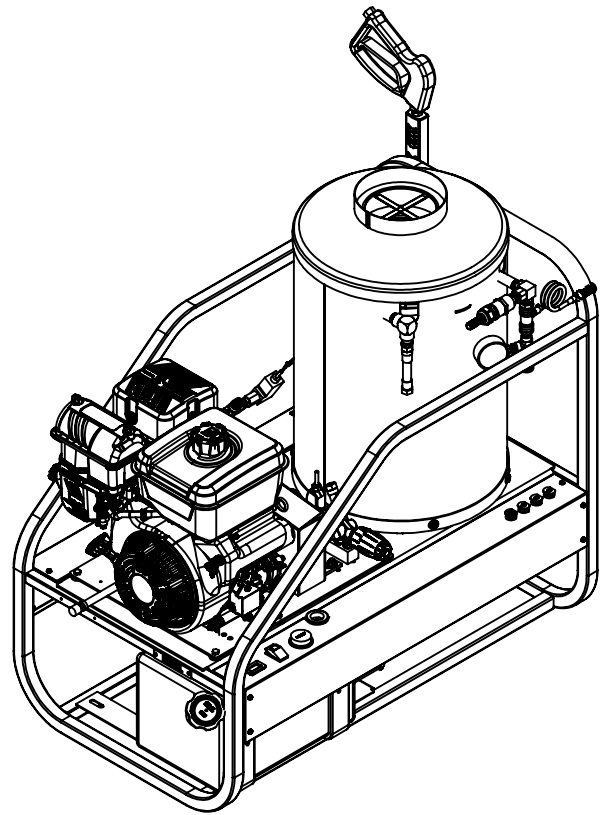
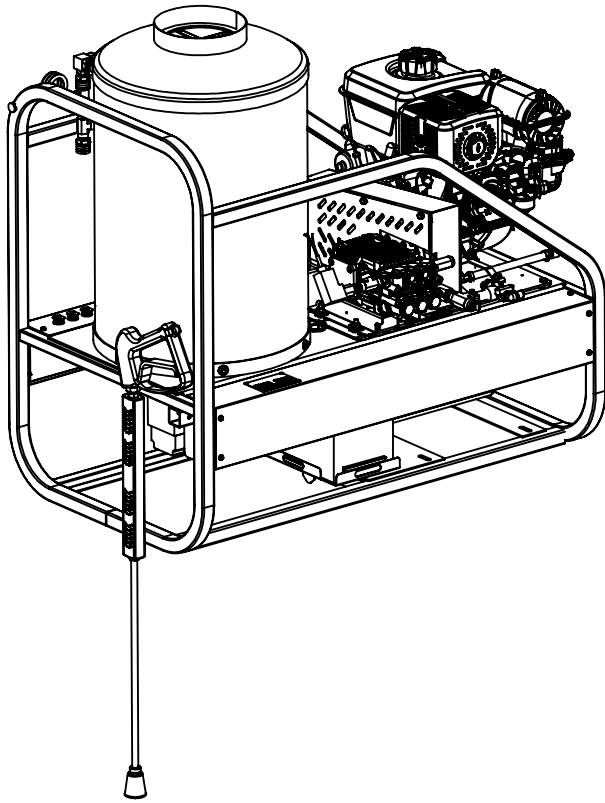


ITEM	NUMBER	DESCRIPTION	QTY.
1	02-101400	SCREW, TEKS #10-16 X 3/4"	6
2	02-522200	POP RIVET	6
3	06-106540-1	SPRAY TIP 65DEGx40 BLACK	1
4	06-400040-1	WASH JET 0004	1
5	06-415040-1	WASH JET 1504	1
6	06-425040-1	WASH JET 2504	1
7	26-101005	NAME PLATE PRIVATE LABEL	1
8	B04-0839-4A	HEAT CHAMBER 24" SS 8 WRAP OIL COIL	1
9	B04-2108-4	BELT GUARD ASSEMBLY	1
10	B04-5009	COVER PANEL	1
11	BCF4-0001	DIESEL FUEL NAMEPLATE	1
12	C04-5020	PUMP ASS'Y 41-435BC RK15.28	1

ITEM	NUMBER	DESCRIPTION	QTY.
13	D04-5022	DRIVE ASS'Y CFH-4035G-BC CLUTCH 14HP VANG 4@3300	1
14	E01-0370	GUN/LANCE ASSY	1
15	E04-0096-2	BATTERY COMPONENT ASSY	1
16	E04-1016-4E	UNLOADER ASSY	1
17	E04-1049	COIL OUTLET ASSY	1
18	E04-5003-3	COIL INLET ASSY CFHJ-4035G-B	1
19	E04-5010	DIESEL TANK JR SQUARE 7 GAL.	1
20	F04-5019-1	ELEC ASSY CFH-4035G-BC OIL GC 12V SS JIC EPA PNL-TC	1
21	F04-5019-2	SCHEMATIC CFH-4035G-BC OIL GC 12V SS JIC EPA PNL-TC	1
22	G04-5004B	BURNER ASSY OIL 12V CFH-1035G V.PRESS	1
23	I04-0043-EM	DECAL ASSY EM-4035-BVC ENVIROMASTER	1
24	J04-0008	PCKG ASSY	1
25	KCF4-0001	GUAGE KIT - CLEAN FREAK	1
26	X04-5018	MACHINE SUB-ASSEMBLY	1



REV.	DESCRIPTION	ECR/ECN	DATE	BY
C	E04-0096-2 WAS E04-0096		11/3/2022	BH
B	ADDED KCF4-0001		11/1/2022	BH
A	ADDED FUEL NAMEPLATE; B04-2108-1, E04-5003-3, F04-5019-1 & -2 CHANGED		9/22/2022	BH
REV.	DESCRIPTION	ECR/ECN	DATE	BY

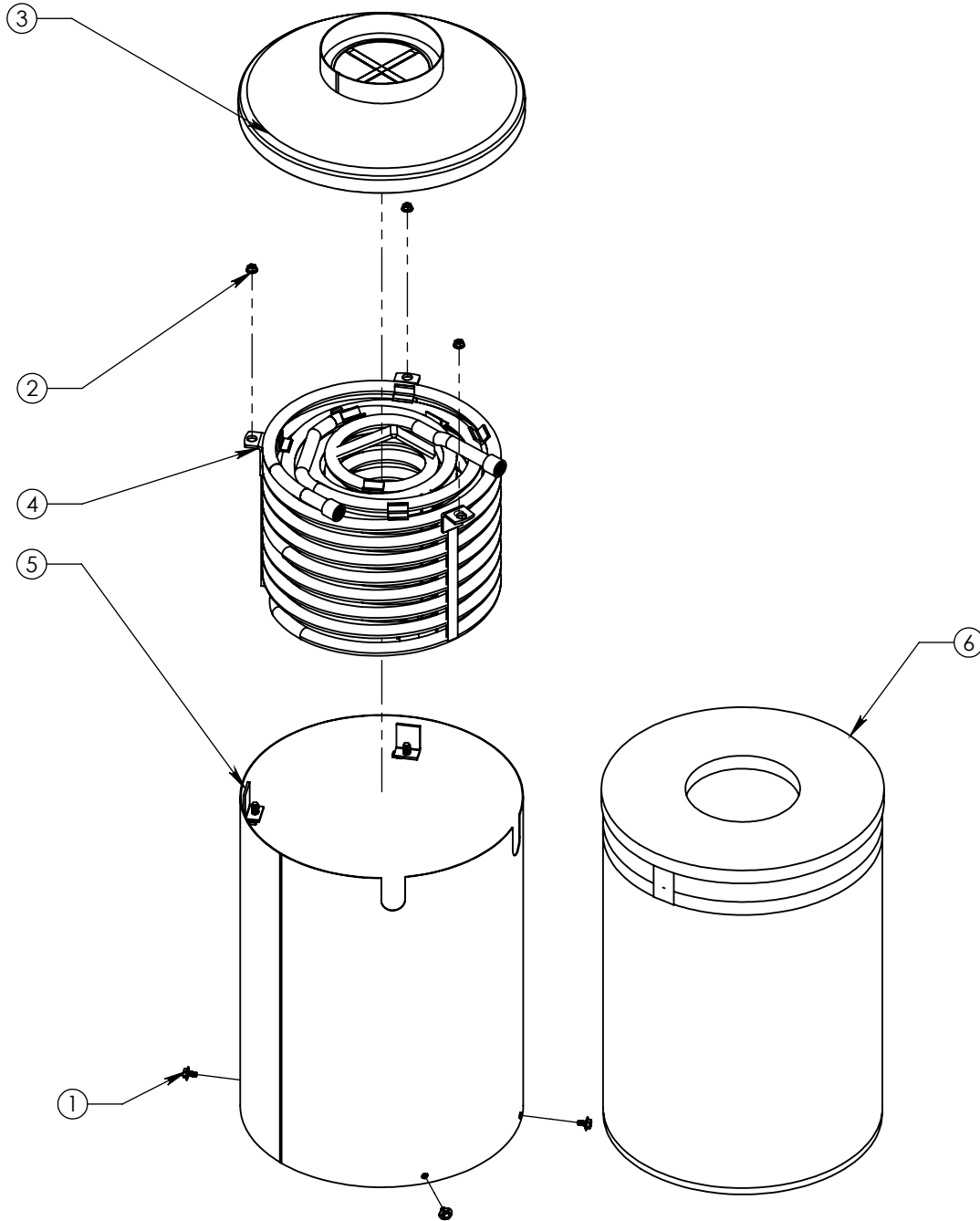
REVISIONS

DRAWN BY: BH  
DATE: 8/24/2022

DESCRIPTION:  
EM-4035-BVC OIL GC 12V  
SS NO HOSE JIC EPA PNL-  
TC

DESCRIPTION 2:  
14HP VANG/RK15.28  
CLUTCH V.PRESS. AN902  
DRAWN BY: BH  
DATE: 8/24/2022  
DRAWER PKG  
SP4-5018

ITEM	NUMBER	DESCRIPTION	QTY.
1	02-121002	HEX WASHER HEAD CAP SCREW	4
2	02-301300	3/8 NUT SERRATED	3
3	B01-0068-2	STACK WELD ASSY 6"X8" HMR SLVR	1
4	B01-0156	HEATING COIL WELDMENT	1
5	B04-0841	24" WRAPPER W/ HANGERS, SS	1
6	H01-3000-A	INSULATION SR 24" 18" DIA. OIL	1



DESCRIPTION:  
HEAT CHAMBER 24" SS 8  
WRAP OIL COIL

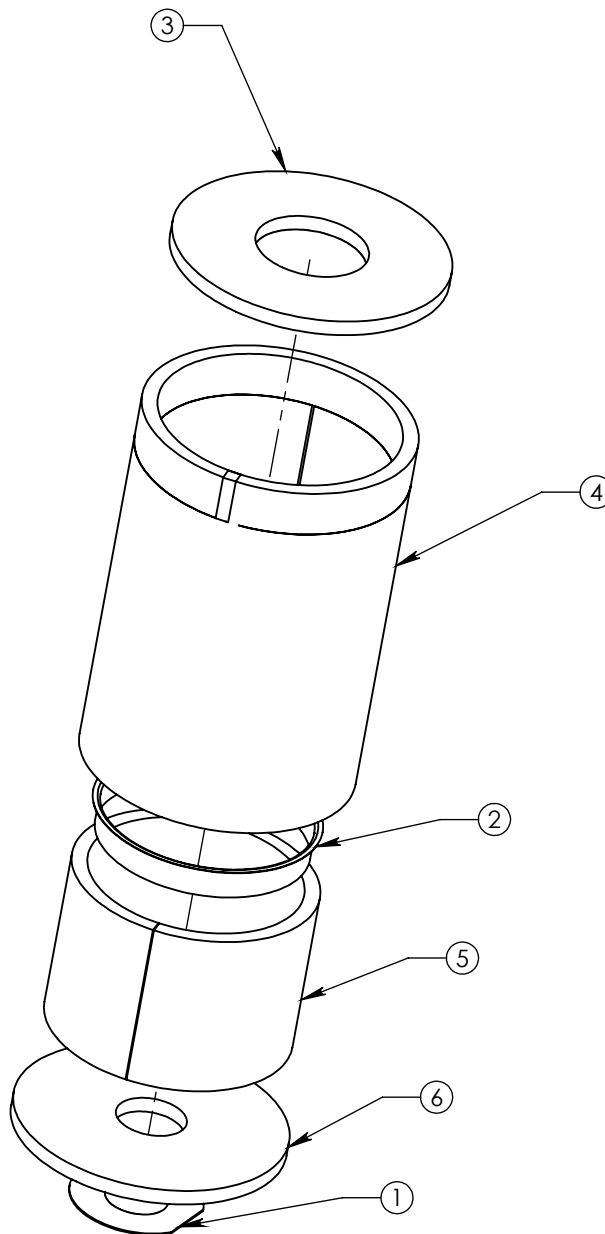
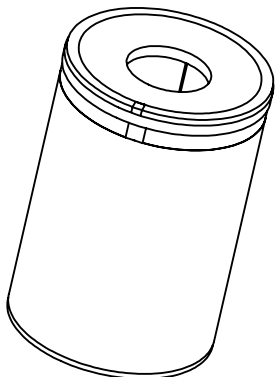
DESCRIPTION 2:  
STACK HAM/SLV (NO  
BUCKET)

DRAW #:  
**B04-0839-4A**

REV.	DESCRIPTION	ECR/ECN	DATE	BY
A	REPLACED 02-101600 & 02-501202 WITH 02-121002		1/25/2023	BH
	REVISIONS			

DRAWN BY: BH  
DATE: 8/18/2022

ITEM	NUMBER	DESCRIPTION	QTY.
1	10-111236-1	BURNER GASKET #31653	1
2	BA1-0123	M.S. INSULATION BAND SR.	1
3	H01-0002	STACK HEAD RING 18/6"	1
4	H01-0019	WRAPPER BLANKET, 24" OIL	1
5	H01-0020	INSULATION 48" X 11" FOR 24" WRAPPER	1
6	H01-0024	BURNER HEAD INSUL. 24" WRAPPER	1



NOTE:  
1. BURNER GASKET GOES BETWEEN  
INSULATION BLANKET & BURNER HEAD.

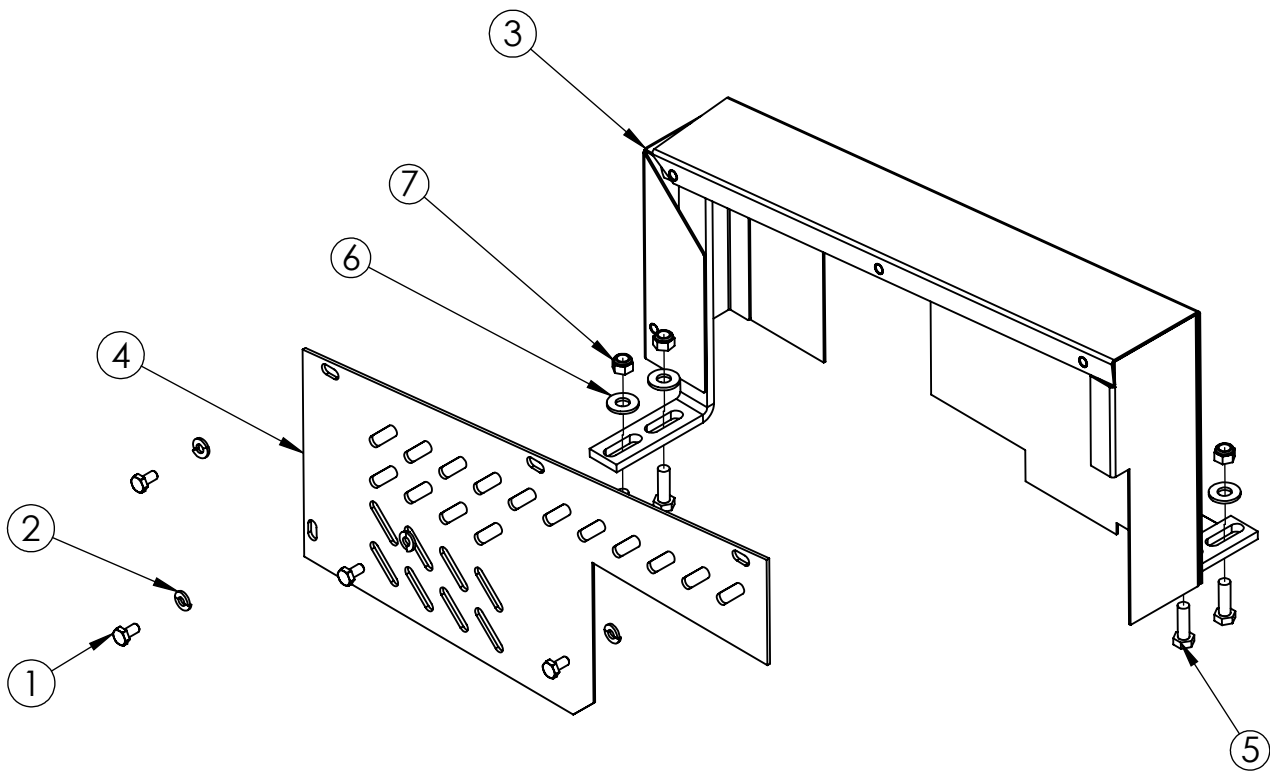
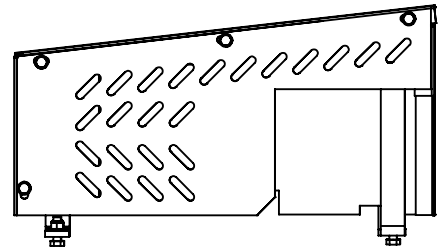
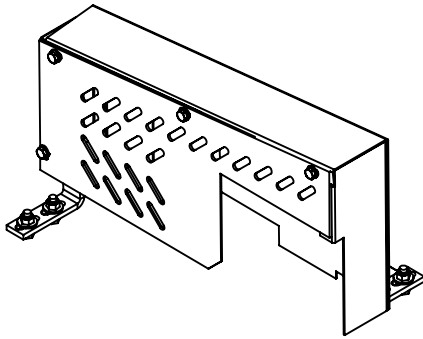
DESCRIPTION:  
INSULATION SR 24" 18" DIA.  
OIL

DESCRIPTION 2:  
KITS (NO BUCKET)

DRAWN BY:  
BH  
DATE:  
09/21/2021

DRAW #:  
H01-3000-A

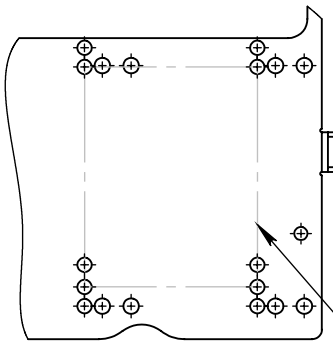
ITEM	NUMBER	DESCRIPTION	QTY.
1	02-111000	CAP SCREW 1/4-20 x 1/2	4
2	02-511201	WASHER, LOCK PLATED 5/16"	4
3	B04-2109-3	BELT GUARD WELDMENT	1
4	B04-2112-4	BELT GUARD PANEL	1
5	02-121200	HEX CAP SCREW: 5/16-18 x 1	4
6	02-501200	WASHER, 5/16" FLAT, ZINC	4
7	02-301230	HEXNUT: NYLK 5/16-18 ZINC	4



REV.	DESCRIPTION	ECR/ECN	DATE	BY
B	REMOVED 02-121002, ADDED 02-121200, 02-501200, 02-301230		8/17/2017	NS
A	CONVERTED TO SOLIDWORKS		12/27/2012	HS
REVISIONS				

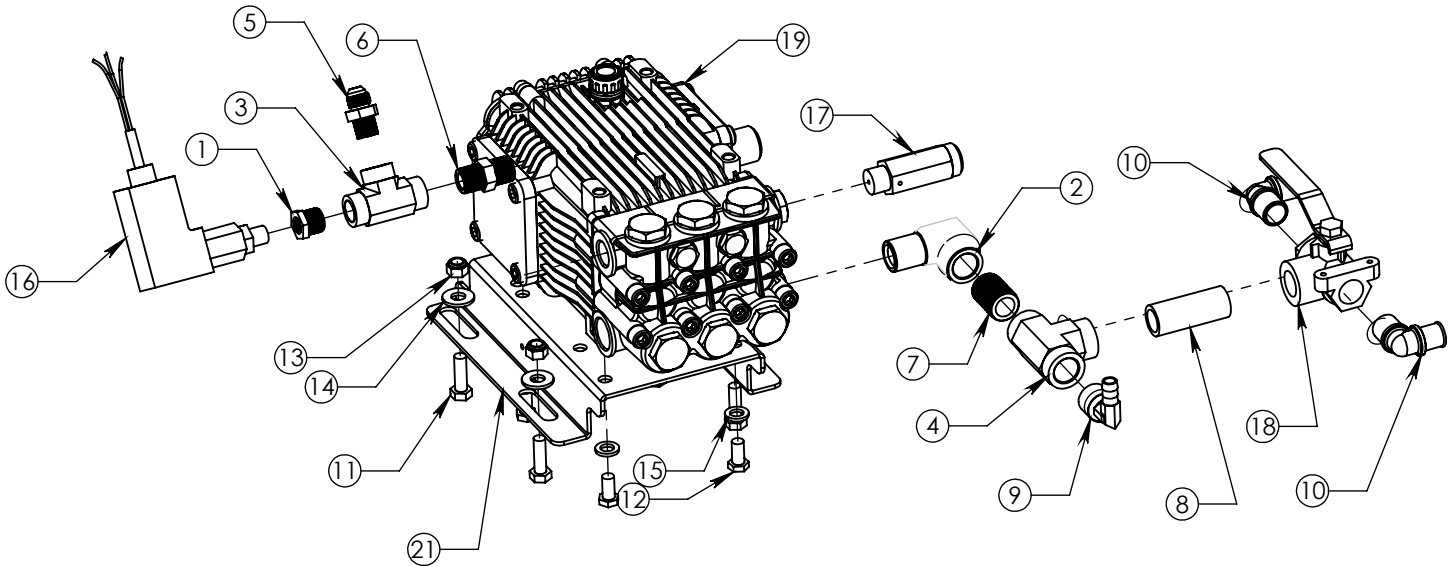
<b>DESCRIPTION:</b> BELT GUARD ASSEMBLY
<b>DESCRIPTION 2:</b> 41-530B/535B HOP
<b>DRAW #:</b> B04-2108-4

DRAWN BY: LG
DATE: 3/7/2012
REV: B.01
ECR/ECN:
SHEET 1 OF 1



USE THESE LOCATIONS

ITEM	NUMBER	DESCRIPTION	QTY.
1	01-101203	BUSH: 3/8 X 1/4 HEX GALV	1
2	01-131304	ELBOW, ST. H.D 1/2 X 90	1
3	01-161204	TEE, 3/8" HD, ZINC, STEEL	1
4	01-161304	TEE, H.D. 1/2" PLATED	1
5	01-221424	CONNECTOR: 3/8" JIC X 3/8" MPT	1
6	01-271104	NIPPLE, HD, 3/8" X 1 1/2" ZINC	1
7	01-281003	NIPPLE, CLOSE, 1/2", ZINC	1
8	01-281203	NIPPLE 1/2 x 2 ZINC STEEL	1
9	01-411601	HOSE BARB 1/2 X 3/8 X 90	1
10	01-411602	HOSE BARB 1/2 X 5/8 X90 BRASS	2
11	02-121200	HEX CAP SCREW: 5/16-18 x 1	4
12	02-191300	CAPSCREW PLATED M8 x 16MM	4
13	02-301230	HEXNUT: NYLK 5/16-18 ZINC	4
14	02-501200	WASHER, 5/16" FLAT, ZINC	4
15	02-511200	WASHER, LOCK PLATED 8MM	4
16	04-101951	PRES. SWITCH 1/4" .215 PSI	1
17	05-111310	RELIEF VALVE 5000PSI PRESET WHITE	1
18	05-201120	BALL VLV 1/2" X 3-WAY	1
19	08-173800	PUMP 3.96GPM 4000PSI	1
20	26-173800	DECAL PUMP 08-173800 RK1528HN	1
21	B01-3074	PUMP RAIL AR RK 18.28HN	1



DESCRIPTION:  
PUMP ASS'Y 41-435BC  
RK15.28

DESCRIPTION 2:

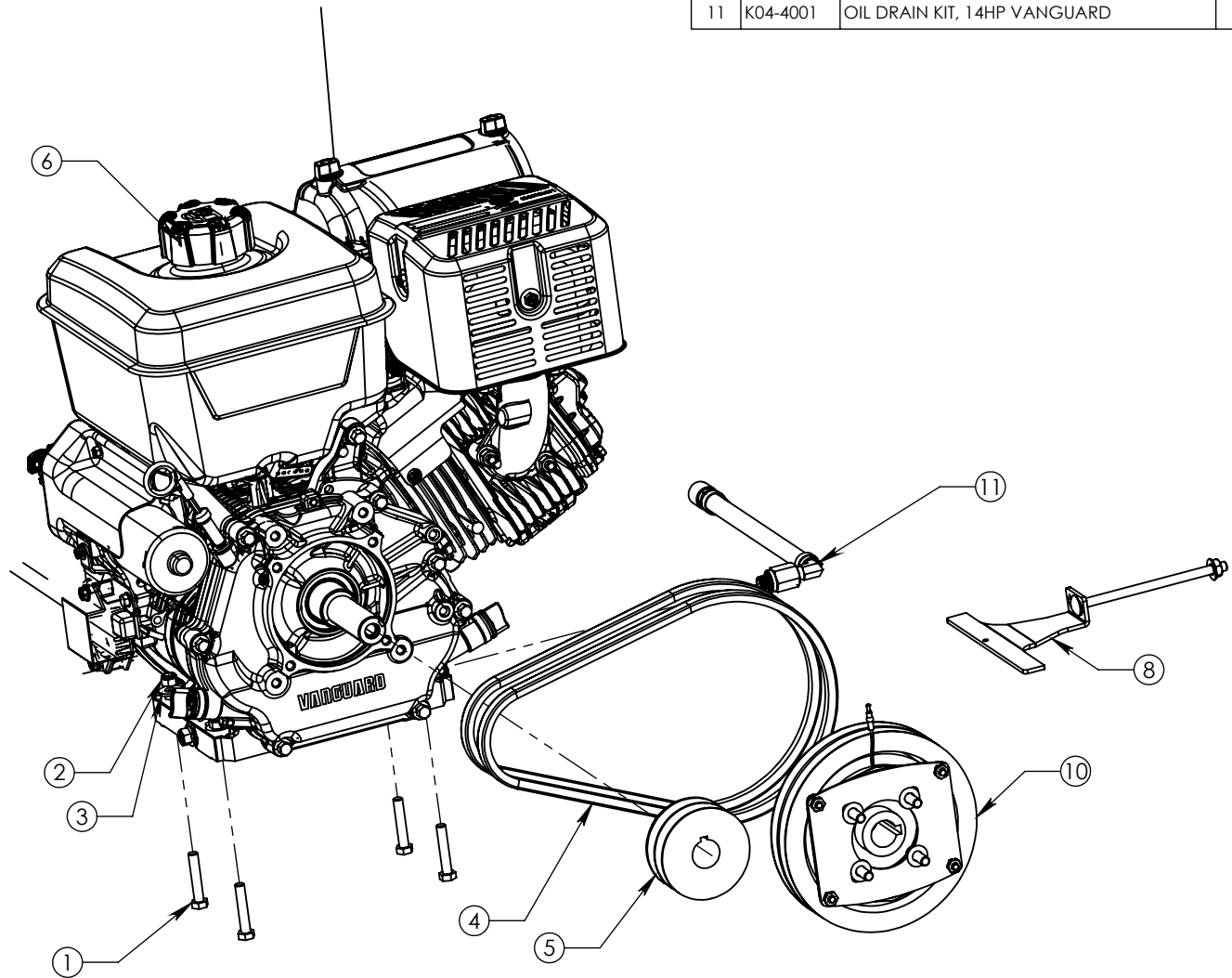
DRAW #:  
**C04-5020**

REV.	DESCRIPTION	ECR/ECN	DATE	BY
A	MOVED MOUNTING HOLE GROUP FORWARD 1-SET PER MIKE M.		1/5/2023	BH

REVISIONS

DRAWN BY:  
BH  
DATE:  
9/12/2022

ITEM	NUMBER	DESCRIPTION	QTY.
1	02-121500	CAPSCREW 5/16"-18 x 1 3/4 ZINC	4
2	02-301230	HEXNUT: NYLK 5/16-18 ZINC	4
3	02-501200	WASHER, 5/16" FLAT, ZINC	4
4	07-123100	V BELT AX31	2
5	07-233201	PULLEY V., 2AK32 x 1"	1
6	09-504000	ENGINE: 14HP VANGARD	1
7	09-504001	KEY SWITCH - VANGUARD	1
8	E01-0373	BELT TIGHTNER ASSEMBLY	1
9	E04-0370	GROUNDING WIRE ASSY	1
10	I-07-161010	CLUTCH 2-GROOVE 12V (24MM)	1
11	K04-4001	OIL DRAIN KIT, 14HP VANGUARD	1



REV.	DESCRIPTION	ECR/ECN	DATE	BY
C	ADDED OIL DRAIN KIT		1/20/2023	BH
B	ROTATED DRIVE PULLEY 180° PER MIKE M.		1/5/2023	BH
A	ADDED 09-504001 KEYSWITCH WITH AUX (REQUIRED ON CLUTCH MACHINES)		11/1/2022	BH

REVISIONS

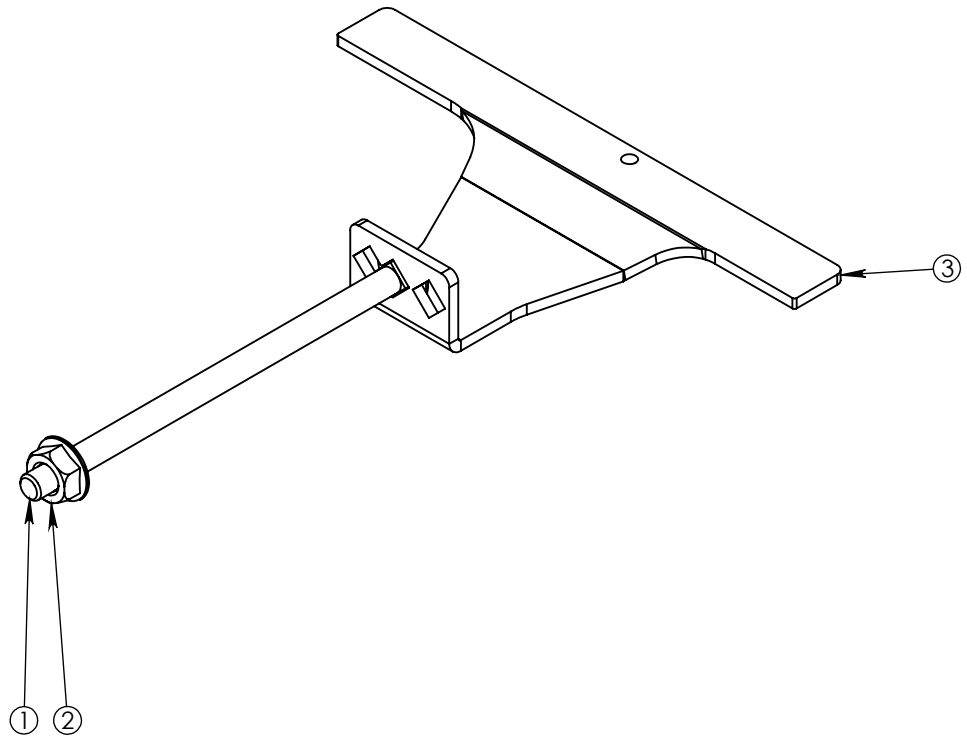
DRAWN BY: BH  
DATE: 9/15/2022

DESCRIPTION:  
DRIVE ASS'Y CFH-4035G-  
BC CLUTCH 14HP VANG  
4@3300

DESCRIPTION 2:  
AR RK15.25 CLEAN FREAK

DRAW #: D04-5022

ITEM	NUMBER	DESCRIPTION	QTY.
1	02-121216	CARRIAGE BOLT 5/16"X18X 5 1/2	1
2	02-301200	5/16-18 ZINC SERRATED NUT	1
3	B01-0667	T-BELT TIGHTENER 3.763	1



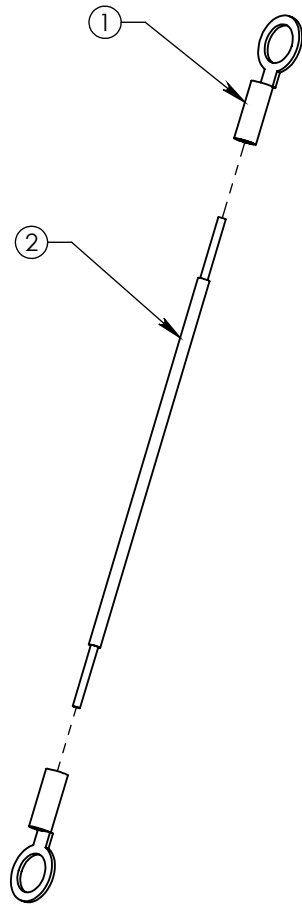
**DESCRIPTION:**  
**BELT TIGHTENER**  
**ASSEMBLY**

**DESCRIPTION 2:**  
**41-530B - SR DOG SLED**

DRAWN BY:  
 LG  
 DATE:  
 9/15/2015

**DRAW #:**  
**E01-0373**

ITEM	NUMBER	DESCRIPTION	QTY.
1	03-181200	TERM, RING TONGUE 1/6/14	2
2	2132	BLACK WIRE: 16GA MTW	1



DESCRIPTION:  
**GROUNDING WIRE ASSY**

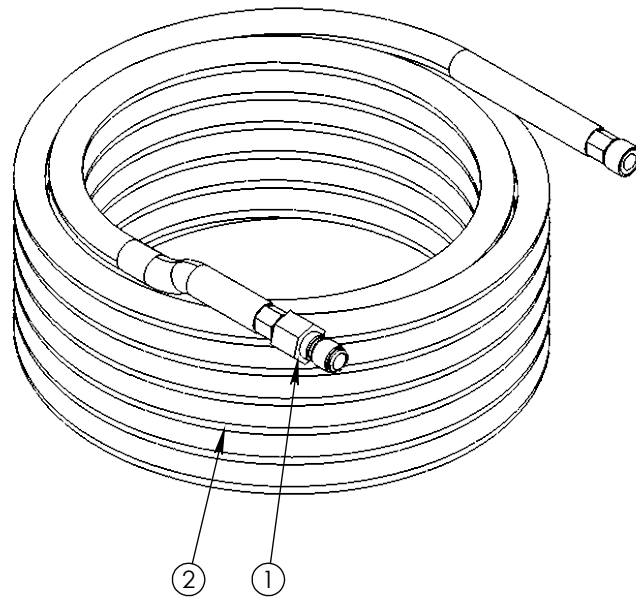
DESCRIPTION 2:

DRAWN BY:  
 BH  
 DATE:  
 12/29/2016

DRAW #:  
**E04-0370**



ITEM	NUMBER	DESCRIPTION	QTY.
1	01-421300	QUICK COUPLER, NIPPLE, 3/8" FNPT	1
2	11-115015	HOSE: 3/8" x 50'WRPPD IMPAC 4000	1



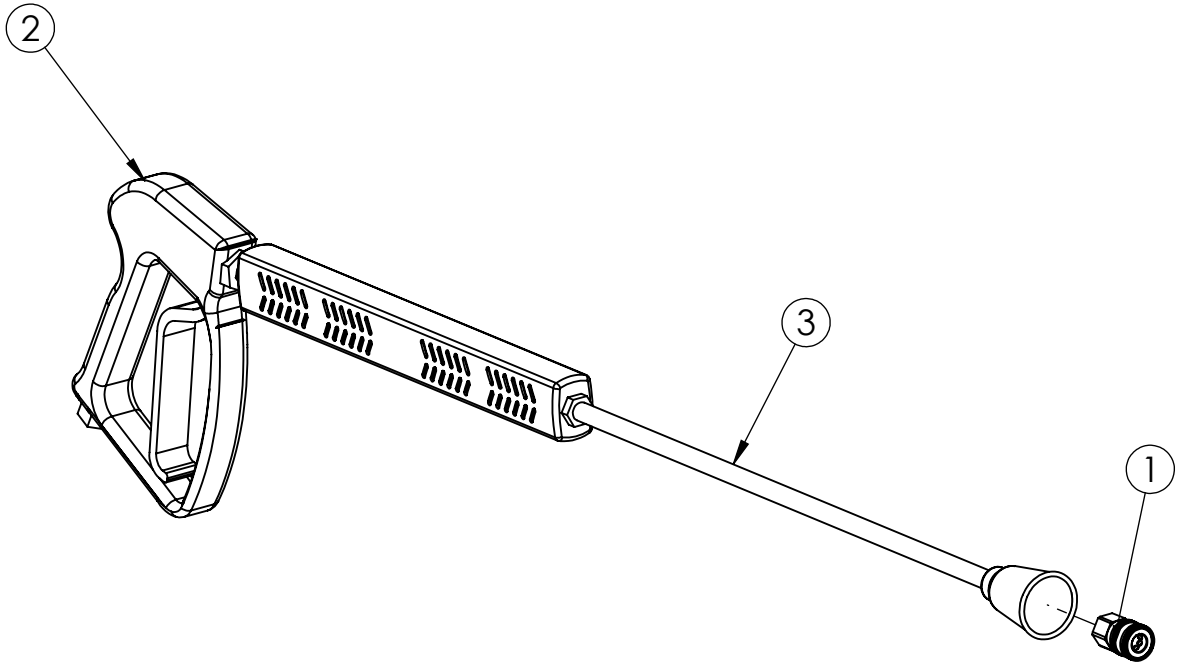
DESCRIPTION:  
HOSE ASSY 50'

DESCRIPTION 2:  
W/QUICK COUPLER NIPPLE  
3/8"

DRAWN BY:  
LG  
DATE:  
05/07/2018

DRAW #:  
**E01-0295A**

ITEM	NUMBER	DESCRIPTION	QTY.
1	01-421000	QUICK COUPLER, 1/4" FNPT	1
2	06-152510	GUN HANDLE GENERAL 5000PSI	1
3	06-201300	SINGLE LANCE 1/4" X 36"	1



DESCRIPTION:  
**GUN/LANCE ASSY**

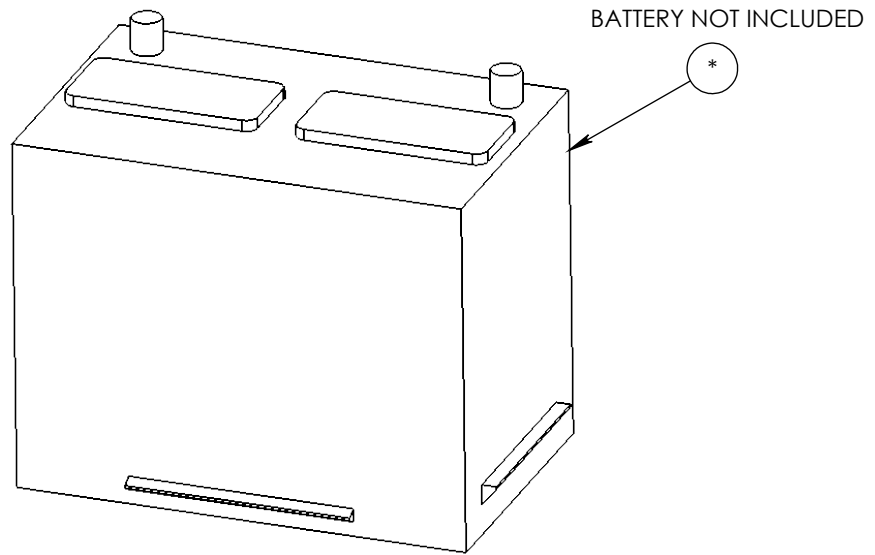
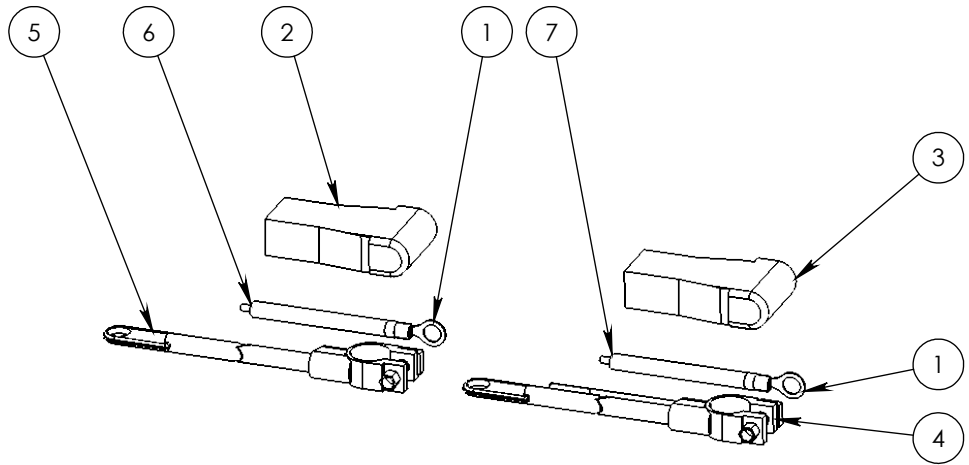
DESCRIPTION 2:

DRAWN BY:  
 BH

DATE:  
 10/31/2011

DRAW #:  
**E01-0370**

ITEM	NUMBER	DESCRIPTION	QTY.
1	03-181208	BATTERY EYELET 3/8" 12 GA.	2
2	03-271010	BATTERY TERM BOOT, RED	1
3	03-271020	BATTERY TERM BOOT, BLACK	1
4	03-272020	GROUND CABLE, BLACK	1
5	03-272031	BATTERY CABLE 32" RED	1
6	2114-48	WIRE: RED 12GA MTW	1
7	2115-48	WIRE: BLACK 12 GA MTW	1



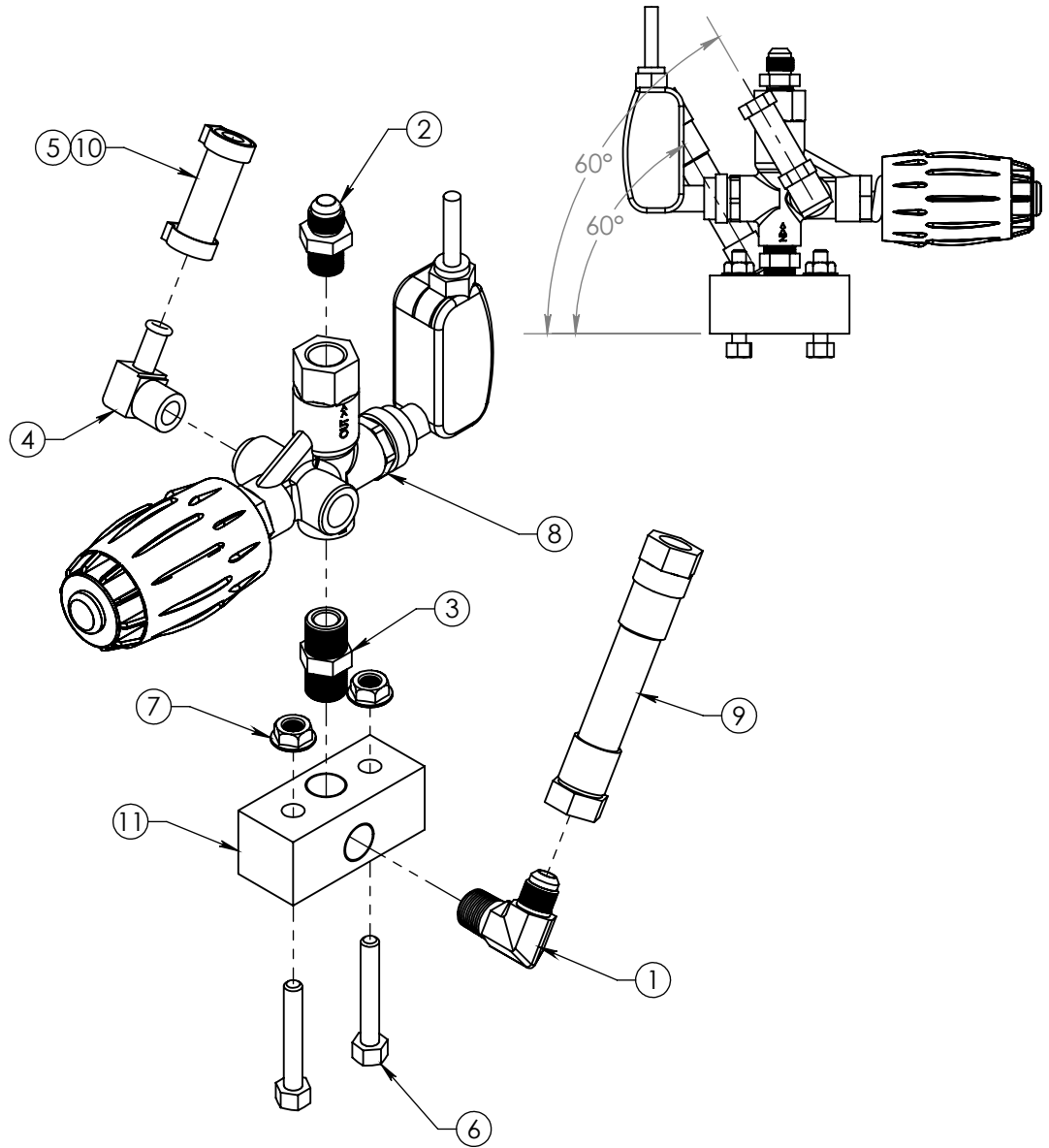
**DESCRIPTION:**  
BATTERY COMPONENT ASSY

**DESCRIPTION 2:**

DRAWN BY: \_\_\_\_\_ DATE: \_\_\_\_\_  
REV: -.01 SHEET 1 OF 1

**DRAW #:**  
**E04-0096-2**

ITEM	NUMBER	DESCRIPTION	QTY.
1	01-111211	ELBOW: 3/8" JIC X 3/8" MPT	1
2	01-221424	CONNECTOR: 3/8" JIC X 3/8" MPT	1
3	01-271104	NIPPLE, HD, 3/8" X 1 1/2" ZINC	1
4	01-411409	HOSEBARB 3/8 MNPT X 3/8 90 DEG	1
5	01-451006	CLAMP: OETIKER	2
6	02-121600	5/16-18 X 2" CAPSCREW	2
7	02-301200	5/16-18 ZINC SERRATED NUT	2
8	05-187710	UNLOADER: VRT3-250PS6 W/MICRO SWITCH	1
9	11-132201	3/8 HOSE: IMPAC4000 - 22"	1
10	2204-25	BULK ITEM 3/8" MULTI-PURPOSE HOSE	1
11	104-0074-1	MANIFOLD BLOCK 3/8"	1



DESCRIPTION:  
UNLOADER ASSY

DESCRIPTION 2:  
41-C

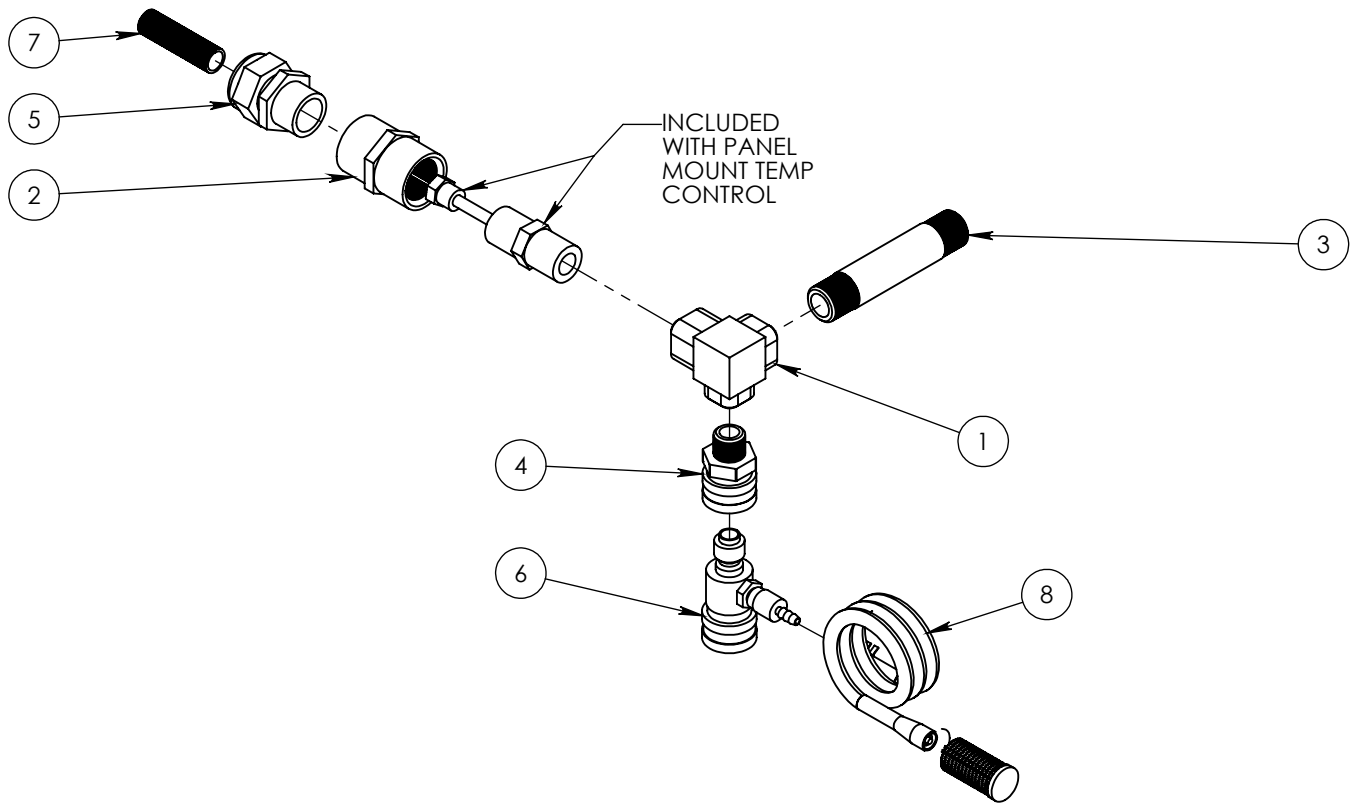
DRAW #:  
E04-1016-4E

REV.	DESCRIPTION	ECR/ECN	DATE	BY
A	05-187710 WAS 05-187700, 05-187701, & 05-187702; REMOVED NOTE		12/29/2022	BH

DRAWN BY:  
BH  
DATE:  
9/30/2022

REVISIONS

ITEM	NUMBER	DESCRIPTION	QTY.
1	01-151304	ELBOW SO 1/2X1/2X3/8 HD BRASS GENERAL	1
2	01-221310	COUPLING, 3/4" X 1/2", PVC	1
3	01-281604	NIPPLE, HD, 1/2 X 4" ZINC	1
4	01-421200	QUICK COUPLER 3/8" NPT	1
5	03-192530	HEYCO CONN. 3234 3/4"	1
6	06-161501-1	INJECTOR	1
7	2120-36	SPLIT LOOM 3/8" POLY	1
8	E01-0020	84" SOAP HOSE ASSY W/CHECK VALVE SCREEN	1



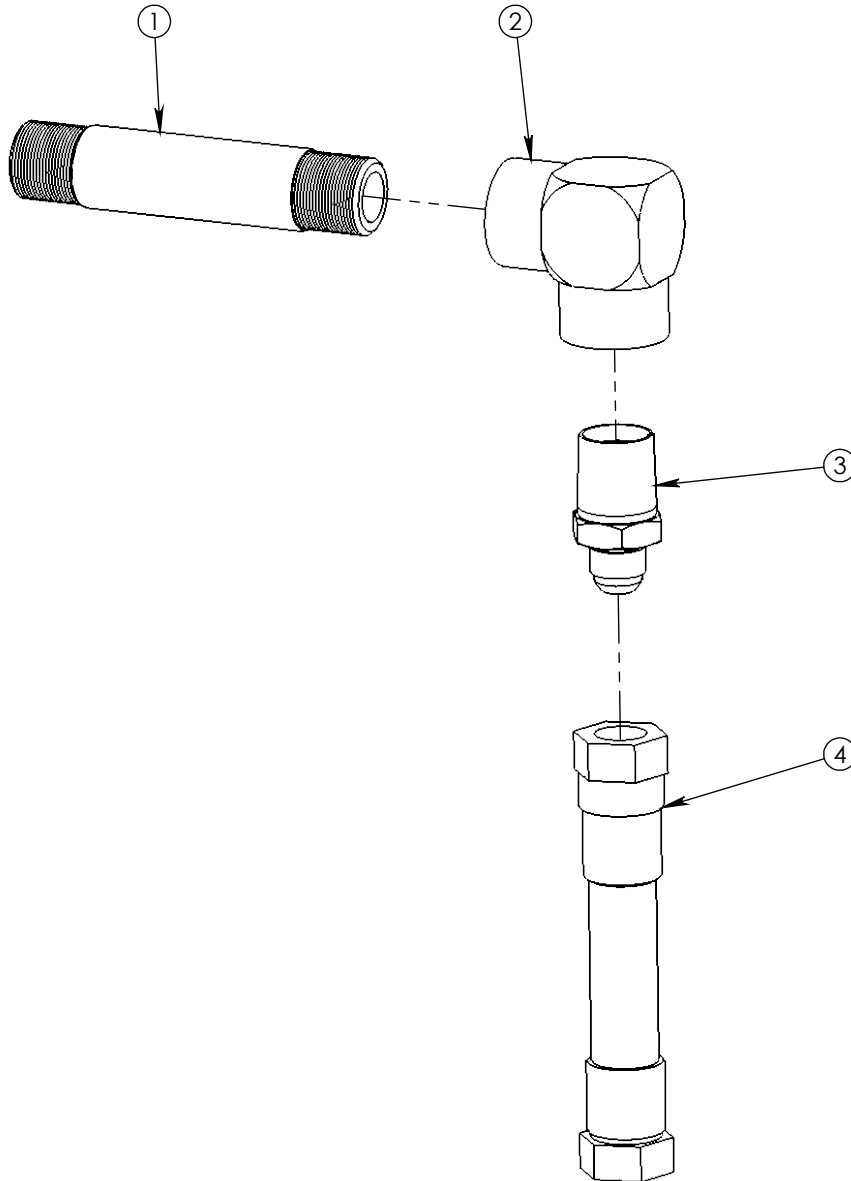
**DESCRIPTION:**  
COIL OUTLET ASSY

**DESCRIPTION 2:**  
41-425/435 PNL TC

DRAWN BY: LG	DATE: 11/7/14
REV: -	SHEET 1 OF 1

**DRAW #:**  
**E04-1049**

ITEM	NUMBER	DESCRIPTION	QTY.
1	01-281604	NIPPLE, HD, 1/2 X 4" ZINC	1
2	01-111304	ELBOW: 1/2 X 90 DEG SCH80	1
3	01-221421	CONNECTOR: 3/8" JIC X 1/2" MPT	1
4	11-132201	3/8 HOSE: IMPAC4000 - 22"	1



DESCRIPTION:  
COIL INLET ASSY CFHJ-  
4035G-B

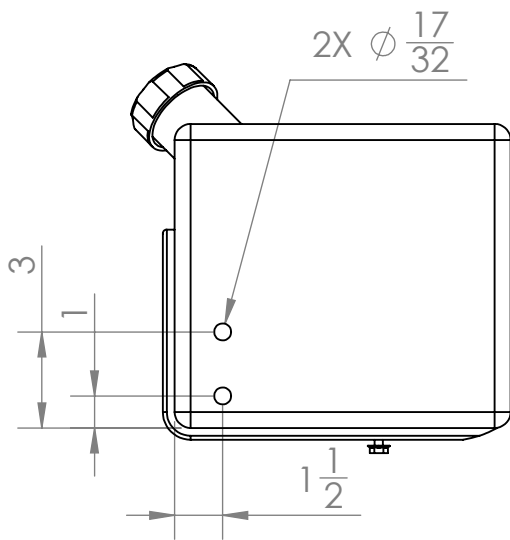
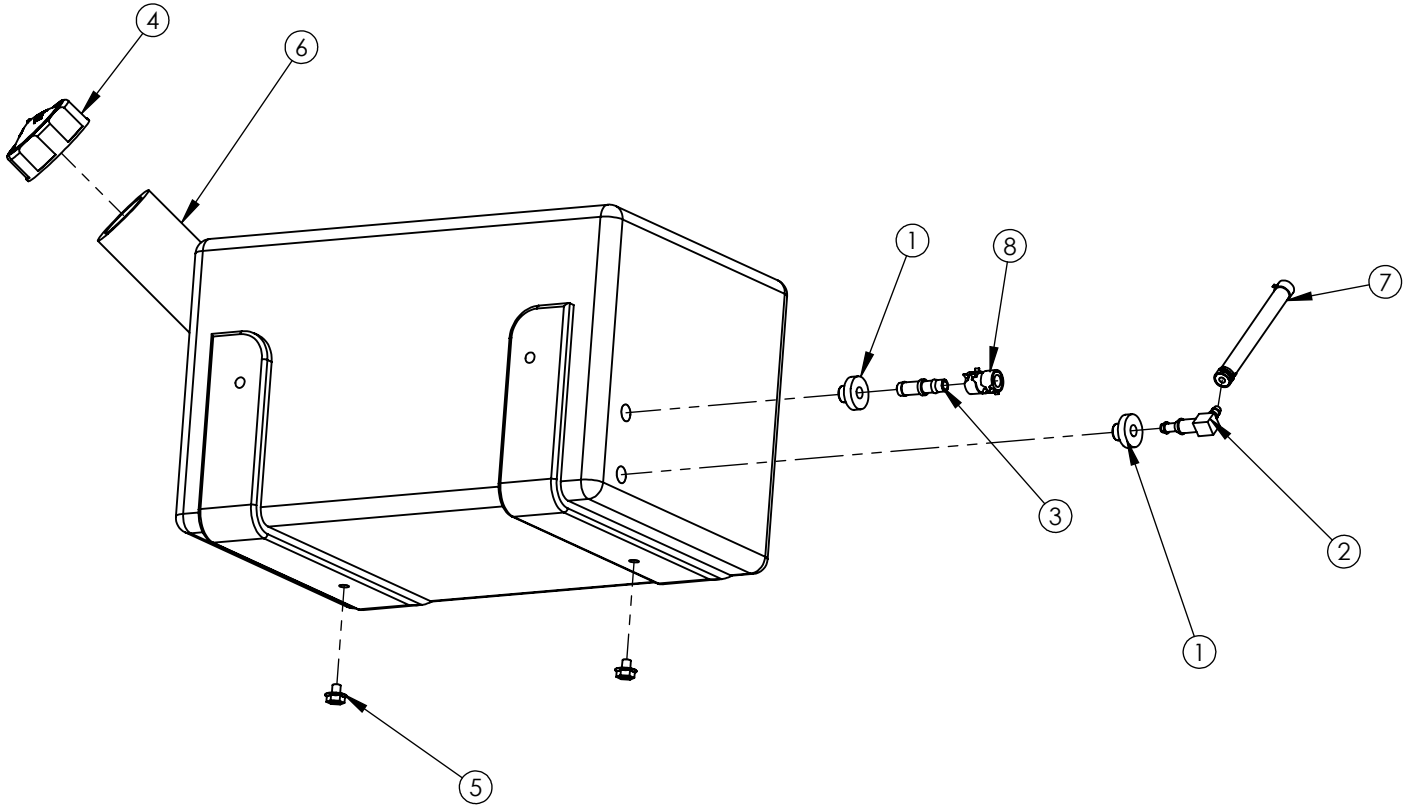
DESCRIPTION 2:

DRAWN BY:  
BH

DATE:  
9/22/2022

DRAW #:  
**E04-5003-3**

ITEM	NUMBER	DESCRIPTION	QTY.
1	01-411112-1	DAPCO/DEXTER BARB GROMMET	2
2	01-411113	HOSE BARB DEXTER 1/4" 90	1
3	01-411117	HOSE BARB DEXTER 3/8"	1
4	01-431203	CAP DIESEL W/GREENCRYSTAL	1
5	02-121001	HEX WASHER HEAD CAP SCREW	2
6	29-131109	FUEL TANK, JR/SR SQ	1
7	E01-0335-11	11" FUEL LINE ASSY	1
8	E01-0363-14	FUEL LINE ASSY	1



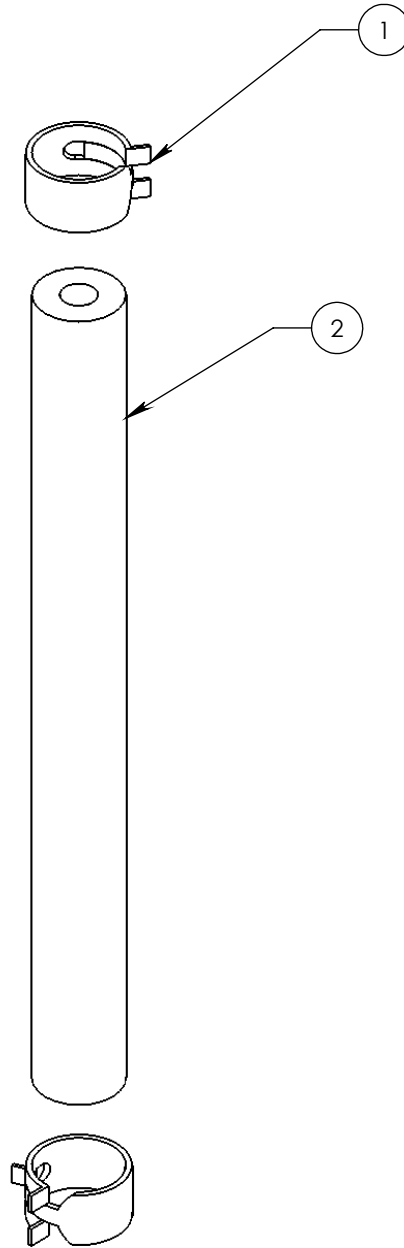
DESCRIPTION:  
DIESEL TANK JR SQUARE 7  
GAL.

DESCRIPTION 2:  
41-435 DD SLED

DRAW #:  
E04-5010

REV.	DESCRIPTION	ECR/ECN	DATE	BY	DRAWN BY: NS
					DATE: 2/8/2017

ITEM	NUMBER	DESCRIPTION	QTY.
1	01-451020	UNI CLAMP: 1/4" FUEL LINE	2
2	2202-11	1/4" FUEL LINE HOSE	1



REV.	DESCRIPTION	ECR/ECN	DATE	BY
REVISIONS				

DRAWN BY:  
NS  
DATE:  
2/8/2017

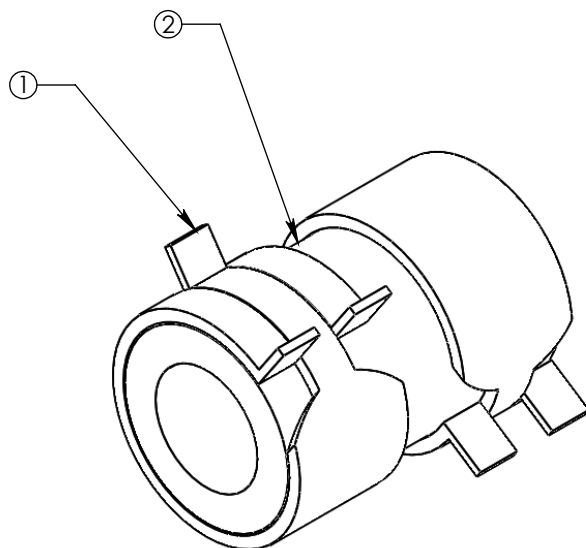
DESCRIPTION:  
**11" FUEL LINE ASSY**

DESCRIPTION 2:

DRAW #:  
**E01-0335-11**



ITEM	NUMBER	DESCRIPTION	QTY.
1	01-451010	UNI CLAMP: FOR FUEL TANKS 3/8"	2
2	2203-14	3/8" FUEL LINE HOSE	1



**DESCRIPTION:**  
**FUEL LINE ASSY**

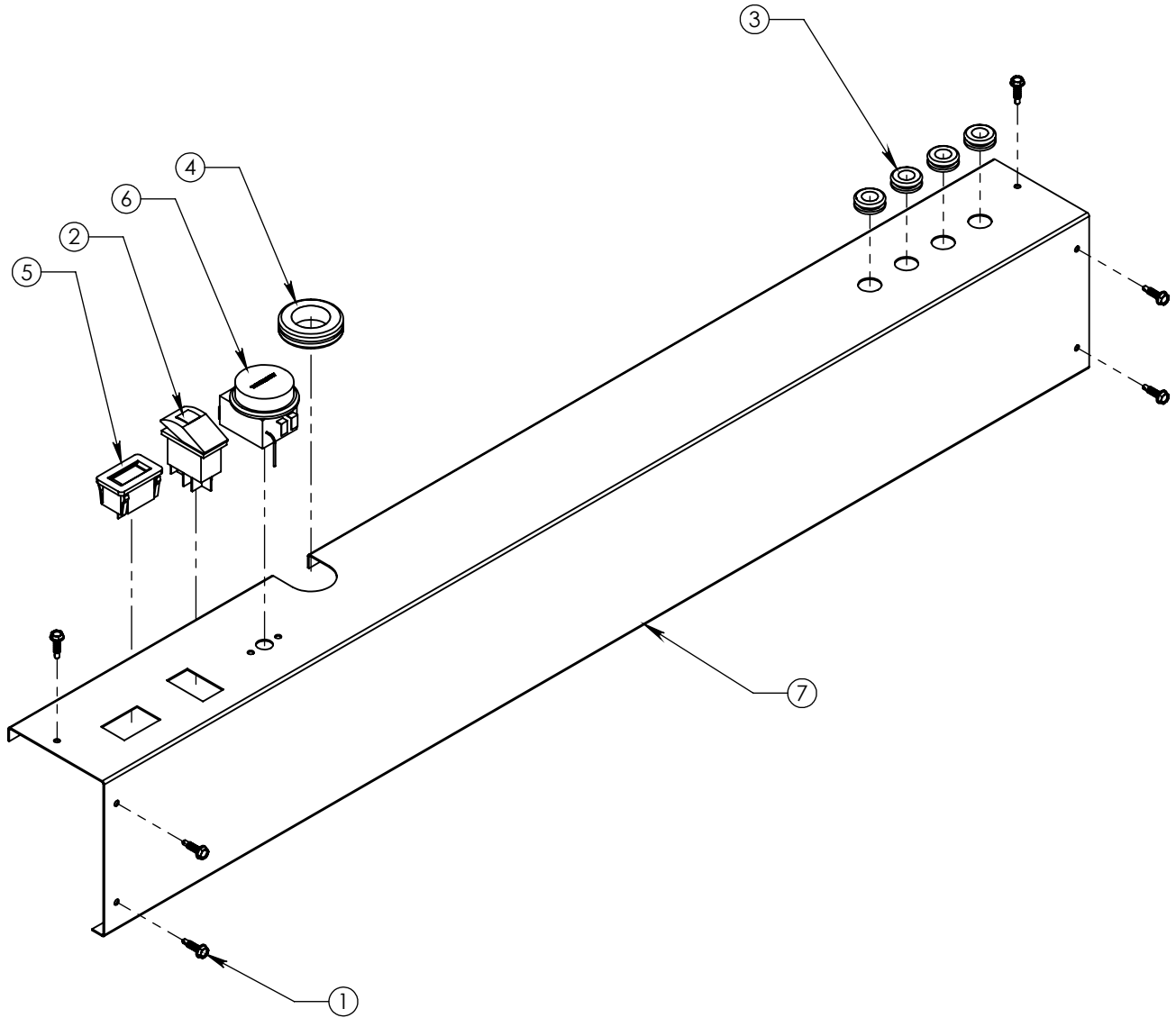
**DESCRIPTION 2:**  
**41-000 BD**

**DRAWN BY:**  
 LG

**DATE:**  
 3/10/2015

**DRAW #:**  
**E01-0363-14**

ITEM	NUMBER	DESCRIPTION	QTY.
1	02-101400	SCREW, TEKS #10-16 X 3/4"	6
2	03-211321	ROCKER SWITCH 24 VOLT	1
3	03-241000	GROMMET (FOR WASH JETS)	4
4	03-241001	GROMMET, RUBBER, 1 1/8"	1
5	03-291030	HOUR METER AC/DC 5-277V	1
6	04-101449	THERMOSTAT CONTROL	1
7	B04-5008	CONTROL PANEL	1



DESCRIPTION:  
 ELEC ASSY CFH-4035G-BC  
 OIL GC 12V SS JIC EPA  
 PNL-TC

DESCRIPTION 2:  
 14HP VANG AN902

DRAWN BY:  
 BH  
 DATE:  
 9/22/2022

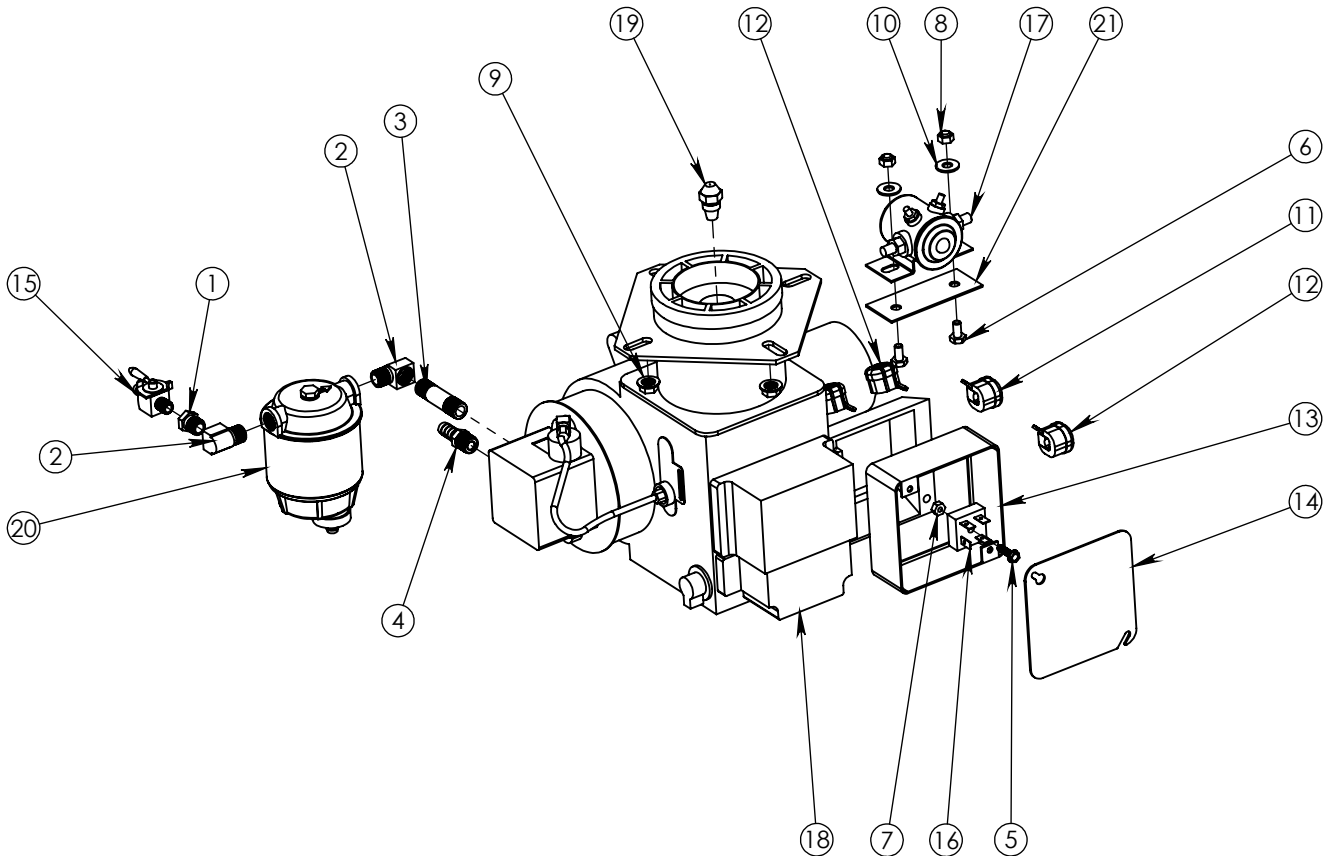
DRAW #:  
 F04-5019-1

ITEM	NUMBER	DESCRIPTION	QTY.
1	01-101003	BUSH: 1/4 X 1/8 HEX GALV	1
2	01-131105	ELBOW: ST 1/4 X 90* BRASS	2
3	01-261203	NIPPLE, 1/4" X 2", ZINC	1
4	01-411101	HOSE BARB 1/4" x 3/8"	1
5	02-101700	MACH SCREW, #10-32 x 3/4"	1
6	02-111000	CAP SCREW 1/4-20 x 1/2	2
7	02-301004	HEX NUT #10-32 NYLOC	1
8	02-301130	NUT, HEX: NYLK 1/4"-20 ZINC	2
9	02-301300	3/8 NUT SERRATED	4

ITEM	NUMBER	DESCRIPTION	QTY.
10	02-501100	WASHER: 1/4", FLAT, ZINC	2
11	03-192100	CONNECTOR "W" ST BLACK	1
12	03-192110	CONN. STRAIN RLF 31-2 SR31-2	3
13	03-201101	HANDYBOX EXTENSION: 4 X 4	1
14	03-201110	J-BOX COVER: BLANK 4X4	1
15	05-201002	1/8" BALL VALVE 1/4" BARB	1
16	09-501340	BRIDGE RECTIFIER	1
17	09-501342	SOLENOID 12 V	1
18	10-111053	OIL BURNER, AN902, 13.5VDC	1
19	10-201200	NOZZLE OIL 1.50-80 DEG. A	1
20	10-301250	WATER SEP. FLTR	1
21	B04-2208	PLATE, RELAY MOUNT	1

NOTES:

1. DRILL 3/16" HOLE CENTERED IN BOX TO MOUNT RECTIFIER
2. REMOVE KNOCK-OUT HOLES TO MOUNT RELAY TO J-BOX EXTENSION



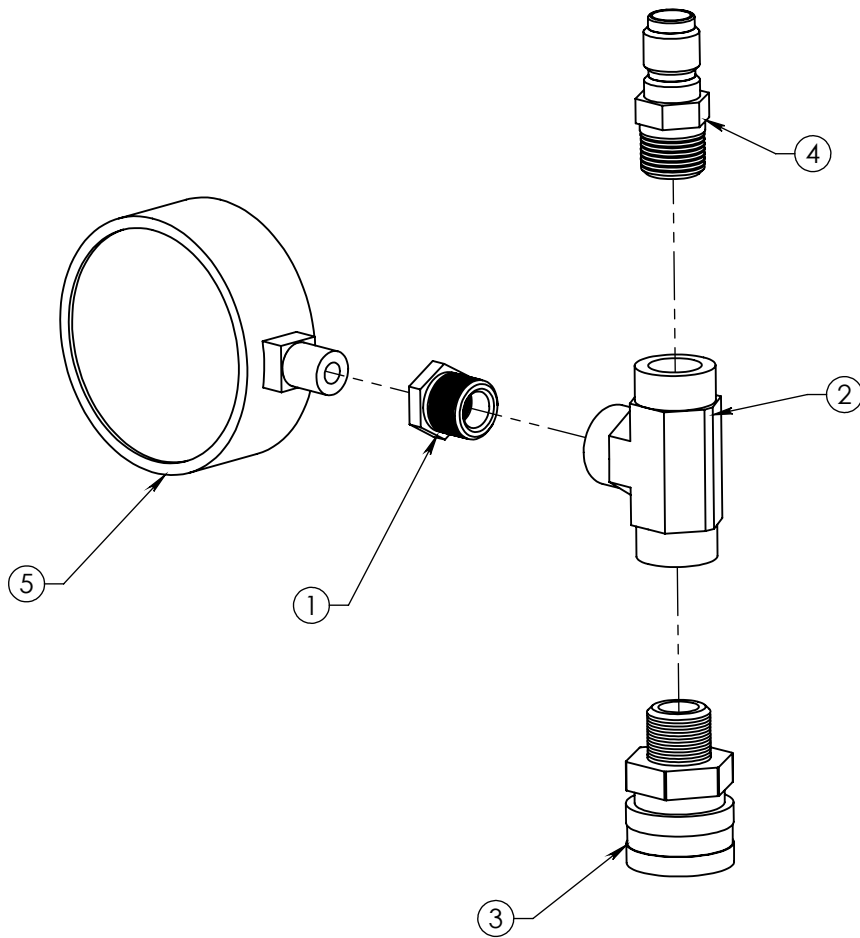
DESCRIPTION:  
**BURNER ASSY OIL 12V  
 CFH-1035G V.PRESS**

DESCRIPTION 2:  
**BNR NOZZLE 1.50 90 A (NO  
 CURRENT SENSOR**

DRAWN BY:  
 BH  
 DATE:  
 10/19/2022

DRAW #:  
**G04-5004B**

ITEM	NUMBER	DESCRIPTION	QTY.
1	01-101203	BUSH: 3/8 X 1/4 HEX GALV	1
2	01-161204	TEE, 3/8" HD, ZINC, STEEL	1
3	01-421200	QUICK COUPLER 3/8" NPT	1
4	01-421310	QUICK COUPLER, NIPPLE, 3/8" W/MALE THREADS	1
5	05-515000	PRES. GAUGE 5000# 1/4" MT	1



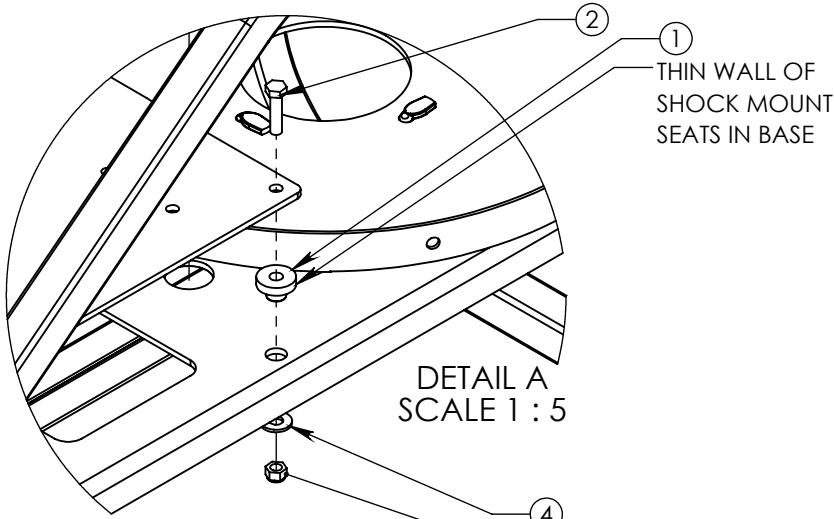
DESCRIPTION:  
**GUAGE KIT - CLEAN FREAK**

DESCRIPTION 2:

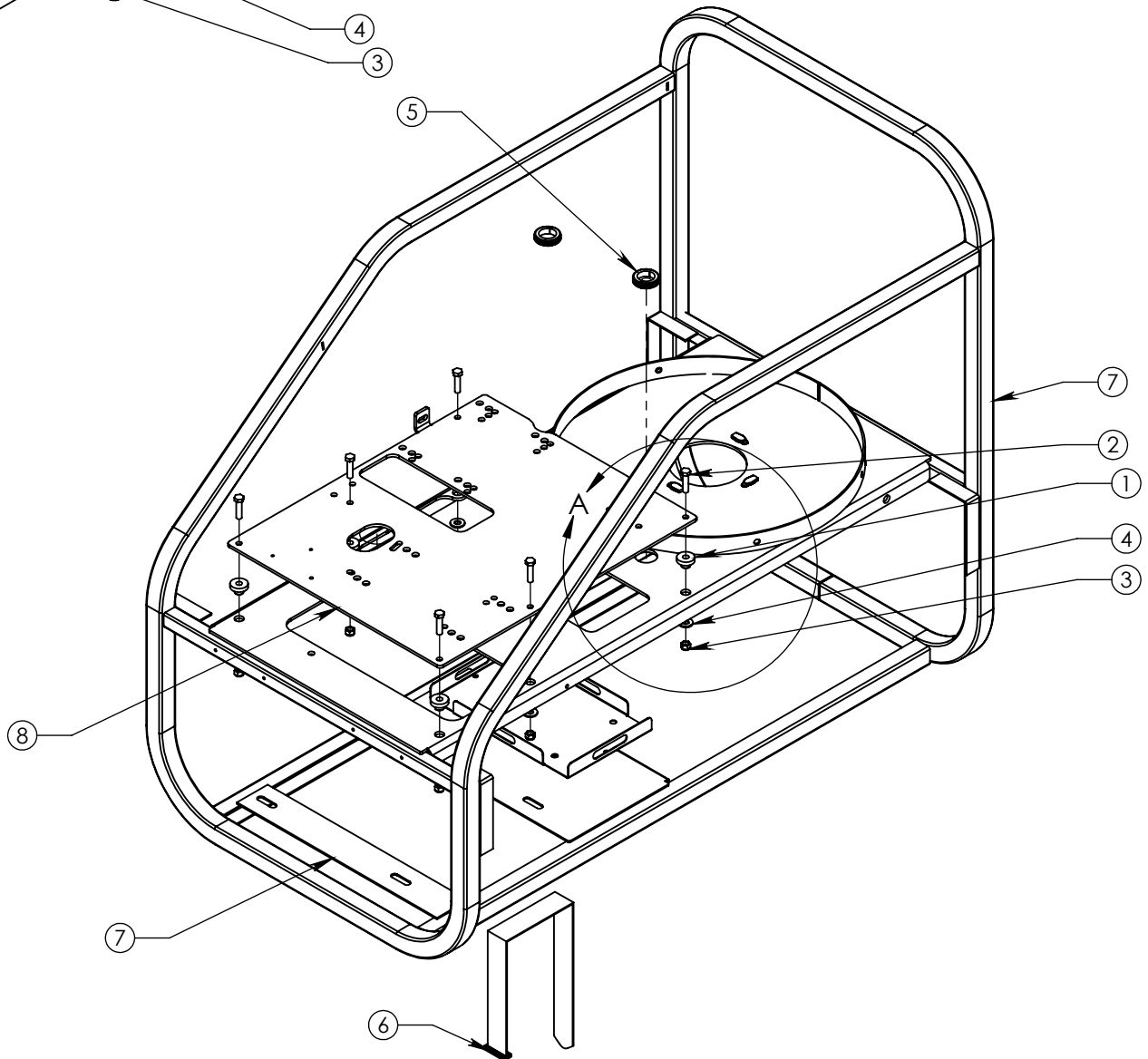
DRAWN BY:  
 BH  
 DATE:  
 11/1/2022

DRAW #:  
**KCF4-0001**

ITEM	Number	DESCRIPTION	QTY.
1	01-411112-1	DAPCO/DEXTER BARB GROMMET	6
2	02-121300	CAP SCREW 5/16-18 x 1 1/4 ZINC	6
3	02-301230	HEXNUT: NYLK 5/16-18 ZINC	6
4	02-501200	WASHER, 5/16" FLAT, ZINC	6
5	03-241105	GROMMET 1"	2
6	03-271221	STRAP: SMALL BATTERY BOX	1
7	B04-5000-4	FRAME WELDMENT, NO AXLES	1
8	B04-5041	DRIVE PLATE	1



DETAIL A  
SCALE 1 : 5



DESCRIPTION:  
MACHINE SUB-ASSEMBLY

DESCRIPTION 2:  
41-000 SR

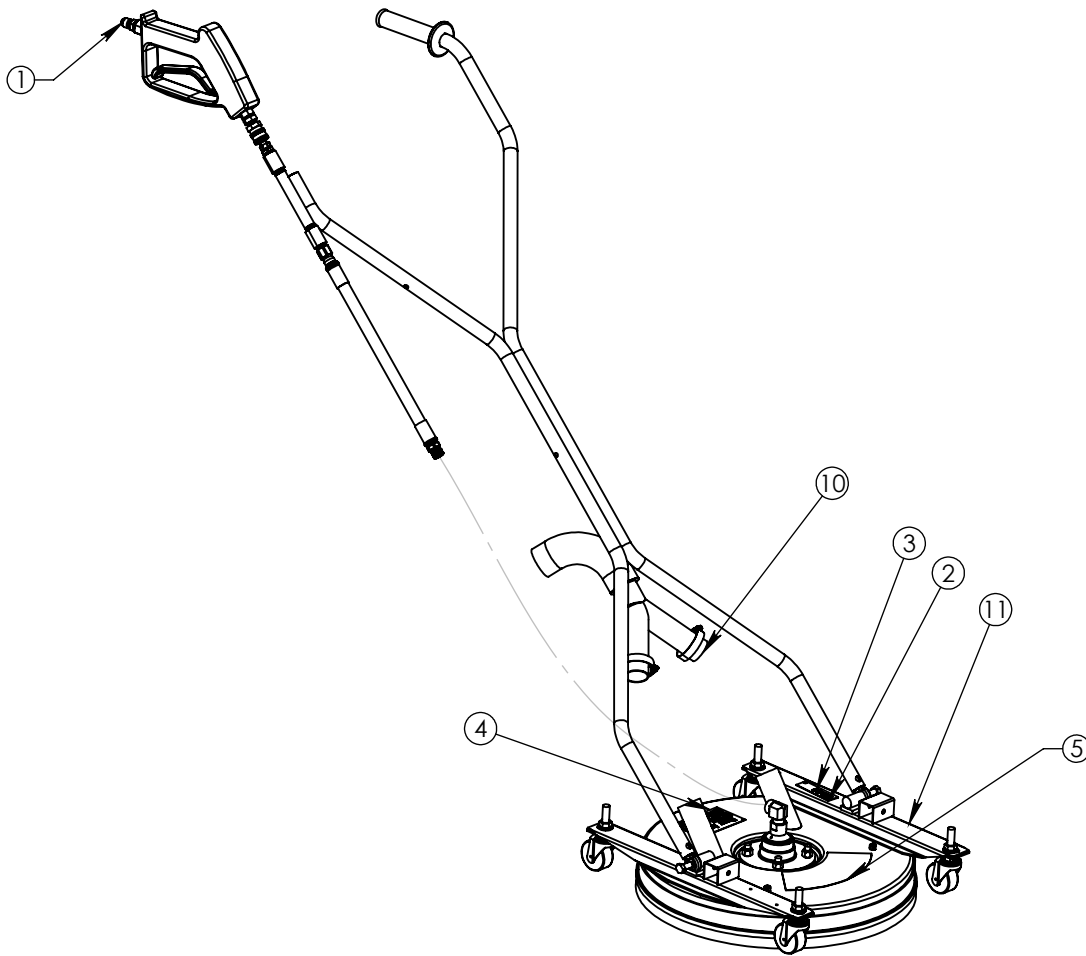
DRAW #:  
X04-5018

REV.	DESCRIPTION	ECR/ECN	DATE	BY
B	REMOVED 02-101600 & 02-501100		1/25/2023	BH
A	03-241105 WAS 03-241005; CHANGED PER MIKE M.		1/5/2023	BH

DRAWN BY:  
BH  
DATE:  
8/17/2022

REVISIONS

ITEM	NUMBER	DESCRIPTION	QTY.
1	01-421310	QUICK COUPLER, NIPPLE, 3/8" W/MALE THREADS	1
2	02-522100	POP RIVET	2
3	26-101002	DECAL: SPINNER SERIAL #	1
4	26-101004	SPECIFICATION TAG	1
5	26-221052	STEEL EAGLE DECAL	1
6	26-410001	EAGLE DECAL	2
7	26-411000	WARNING DECAL	1
8	28-111009	HOSE REEL, BAG LINER	3
9	28-121100	SHIPPING BOX	1
10	BSE-0112	HANDLE ASSEMBLY	1
11	BSE-0148-1	16" DECK ASSEMBLY, CUSTOM	1



DESCRIPTION:  
16" CLEAN & CAPTURE  
TOOL, CUSTOM

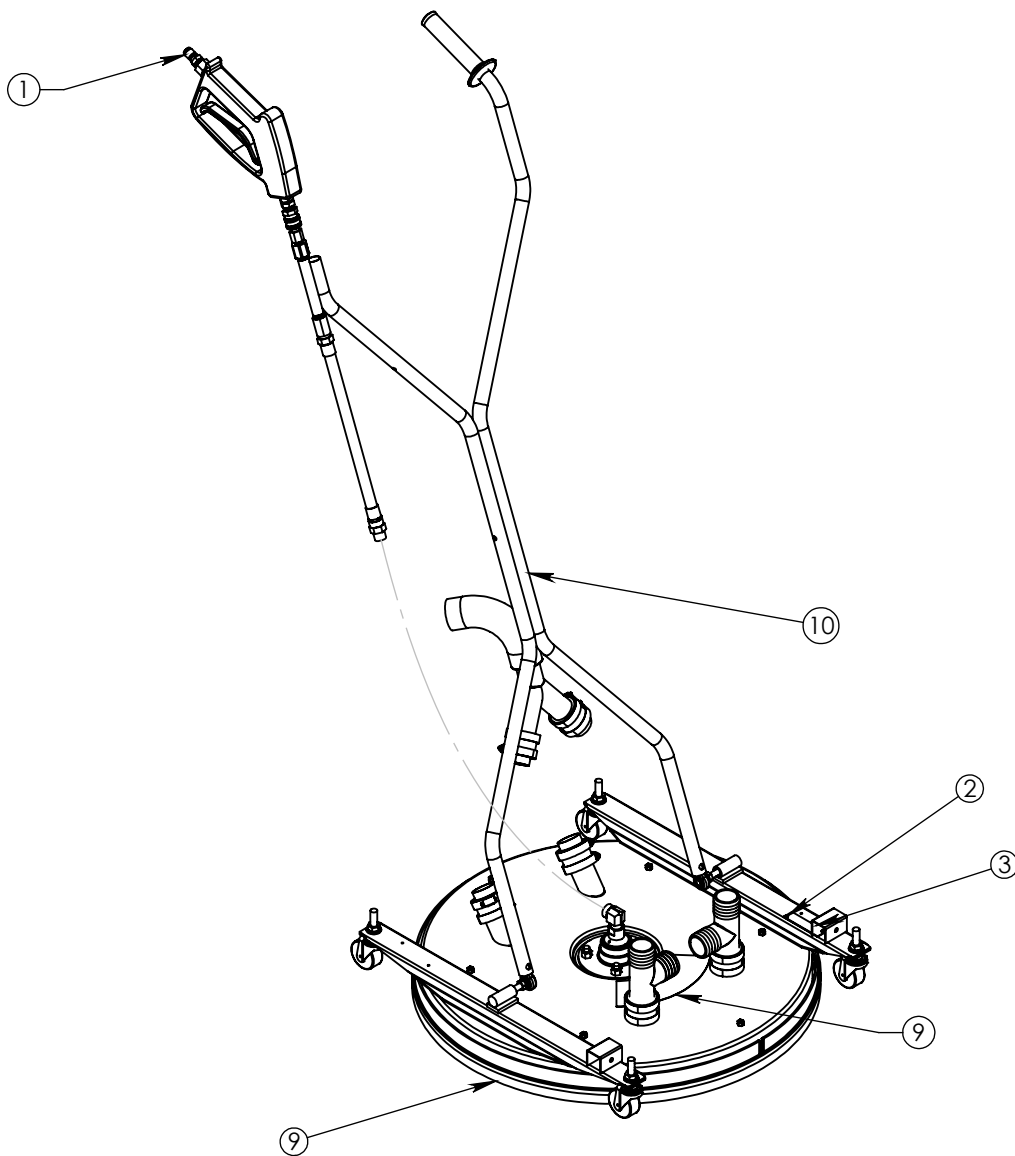
DESCRIPTION 2:  
TALON 4 SWIVEL

DRAW #:  
ASE-0120-K

REV.	DESCRIPTION	ECR/ECN	DATE	BY
A	ADDED QUICK COUPLER AND DECAL		11/21/2022	BH
REVISIONS				

DRAWN BY:  
BH  
DATE:  
11/2/2022

ITEM	NUMBER	DESCRIPTION	QTY.
1	01-421310	QUICK COUPLER, NIPPLE, 3/8" W/MALE THREADS	1
2	02-522100	POP RIVET	2
3	26-101001	SERIAL NUMBER PLATE	1
4	26-221052	STEEL EAGLE DECAL	1
5	26-410001	EAGLE DECAL	1
6	26-411000	WARNING DECAL	1
7	28-111009	HOSE REEL, BAG LINER	1
8	28-121100	SHIPPING BOX	1
9	BSE-0164-1	24" DECK ASSEMBLY, CUSTOM	1
10	BSE-0166	HANDLE ASSEMBLY	1



DESCRIPTION:  
24" CLEAN & CAPTURE  
TOOL, CUSTOM

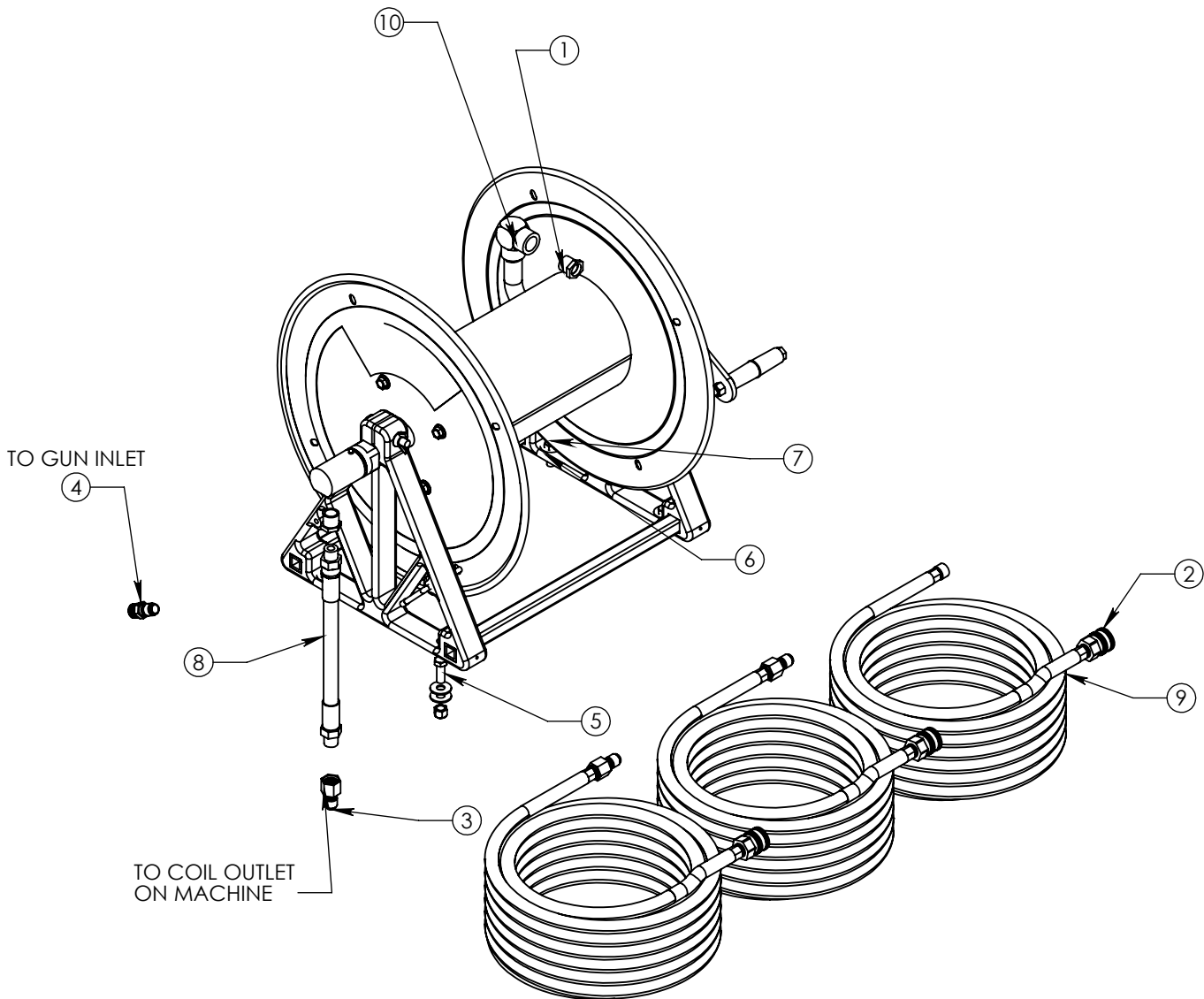
DESCRIPTION 2:  
TALON 4 SWIVEL

DRAW #:  
**ASE-0140-K**

REV.	DESCRIPTION	ECR/ECN	DATE	BY
A	ADDED QUICK COUPLING AND DECAL		11/21/2022	BH
REVISIONS				

DRAWN BY:  
BH  
DATE:  
11/2/2022

ITEM	NUMBER	DESCRIPTION	QTY.
1	01-101503	BUSH: 1/2 X 3/8 HEX GALV	2
2	01-421210	QUICK COUPLER, 3/8" FNPT	3
3	01-421300	QUICK COUPLER, NIPPLE, 3/8" FNPT	3
4	01-421310	QUICK COUPLER, NIPPLE, 3/8" W/MALE THREADS	1
5	02-131300	CAP SCREW 3/8"-16 x 1 1/4	4
6	02-301331	HEX NUT - NYLK 3/8-16	4
7	02-501300	WASHER: 3/8" FLAT, ZINC	8
8	11-111100	HOSE 3/8" X 11' 4000PSI	1
9	11-115017-A	HOSE 3/8" X 50' GRY 4000PSI AALADIN	3
10	K01-0106-1	12" SS HOSE REEL	1



DESCRIPTION:  
HOSE REEL SS ENT VI, HIGH  
PRESSURE

DESCRIPTION 2:

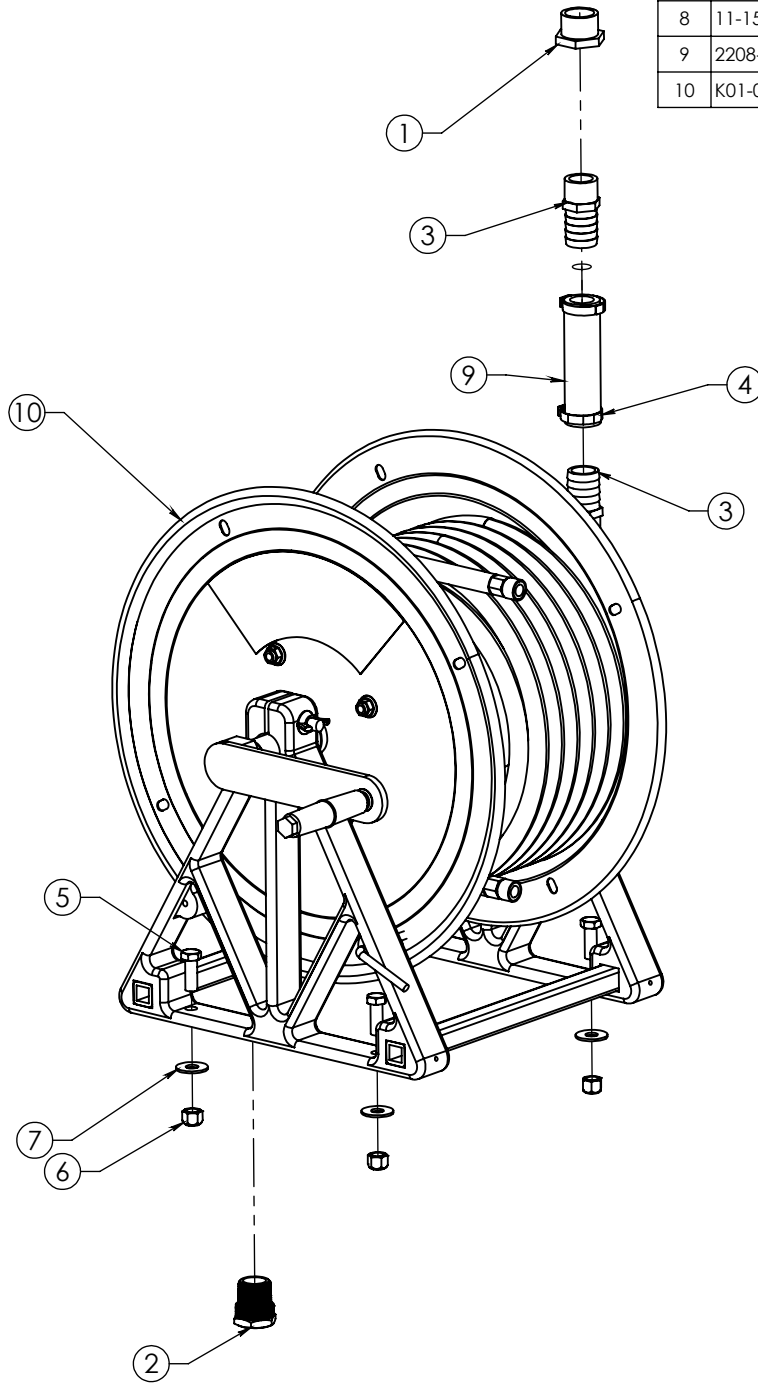
DRAW #:  
**KT01-0005-5SS**

REV.	DESCRIPTION	ECR/ECN	DATE	BY
A	ADDED 01-421310 QUICK COUPLER TO CONNECT TO GUN ON MACHINE		12/9/2022	BH
REVISIONS				

DRAWN BY:  
BH  
DATE:  
8/26/2022



ITEM	NUMBER	DESCRIPTION	QTY.
1	01-102007	BUSH 3/4" X 1" HEX PLASTIC	1
2	01-401001	GARDEN HOSE ADPT 3/4"	1
3	01-411800	HOSE BARB, 3/4" x 3/4"	2
4	01-451208	CLAMP 1 1/8" TO 1 1/4" HOSE	2
5	02-131300	CAP SCREW 3/8"-16 x 1 1/4"	4
6	02-301331	HEX NUT - NYLK 3/8-16	4
7	02-501300	WASHER: 3/8" FLAT, ZINC	4
8	11-151075	HOSE 3/4" X 75' GARDEN HOSE	1
9	2208-36	BULK ITEM 3/4" MULTI-PURPOSE HOSE	1
10	K01-0105-1-3_4-L	8" H.R. S.S.250 DEG LEFT HAND 3/4"	1



DESCRIPTION:  
8" H.R. S.S. 250 DEG LEFT  
HAND, VAC DISCHARGE

DESCRIPTION 2:

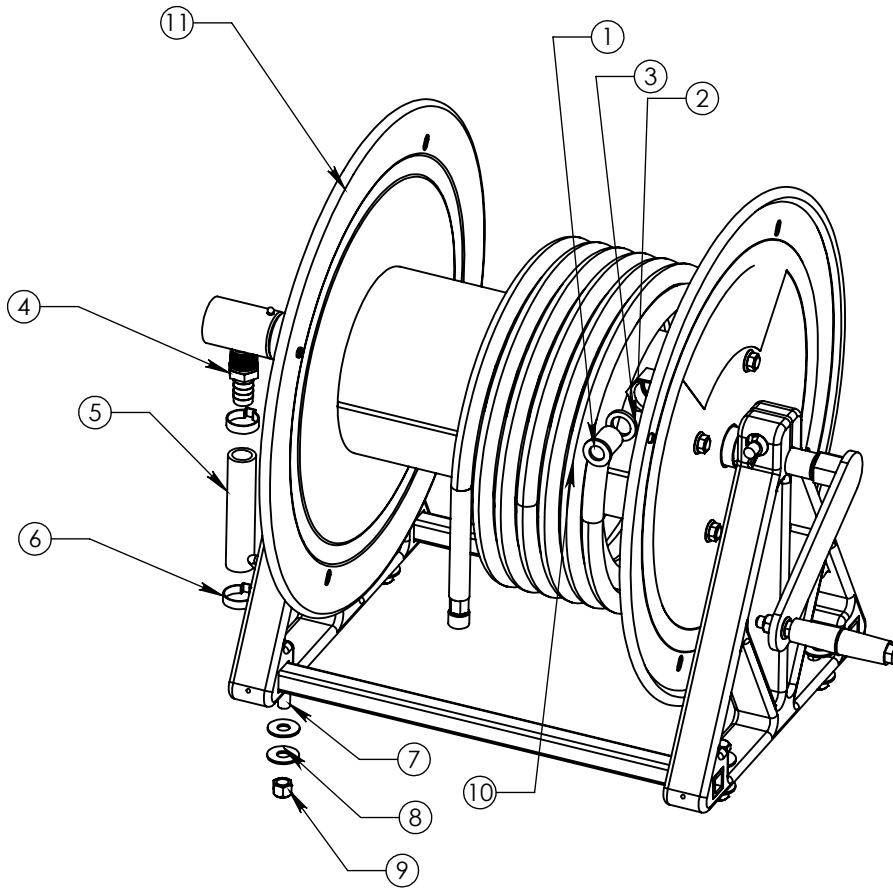
REV.	DESCRIPTION	ECR/ECN	DATE	BY
C	REMOVED 01-102000, 01-221307, 01-401112, 01-401001 @1 EA.; ADDED 01-102007; 01-451208 WAS 01-451200-1		12/8/2022	BH
B	REMOVED ALL 1/2" RESTRICTIVE FITTINGS; REPLACED WITH 3/4"		11/22/2022	BH
A	01-411800 WAS 01-411611; ADDED 01-101903		11/18/2022	BH

DRAWN BY:  
BH  
DATE:  
11/8/2022

DRAW #:  
KT01-0105-1-3\_4-L

REVISIONS

ITEM	NUMBER	DESCRIPTION	QTY.
1	01-401010	GARDEN HOSE ADAP, SWV 1/2	1
2	01-401000	GRDN HSE ADPTR NUT 3/4"	1
3	01-401020	HOSE WASHER, 3/4" GHT	1
4	01-411600	HOSE BARB, 1/2" NPT X 5/8"	1
5	2207-102	HOSE: 5/8" MULTI PURPOSE	1
6	01-451202	CLAMP: OETIKER 1" 256ZP	2
7	02-131300	CAP SCREW 3/8"-16 x 1 1/4	4
8	02-501300	WASHER: 3/8" FLAT, ZINC	8
9	02-301331	HEX NUT - NYLK 3/8-16	4
10	11-110010	5/8 WATER HOSE 100'	1
11	K01-0106-1	12" SS HOSE REEL	1



DESCRIPTION:  
HOSE REEL SS ENT VI, LOW  
PRESSURE

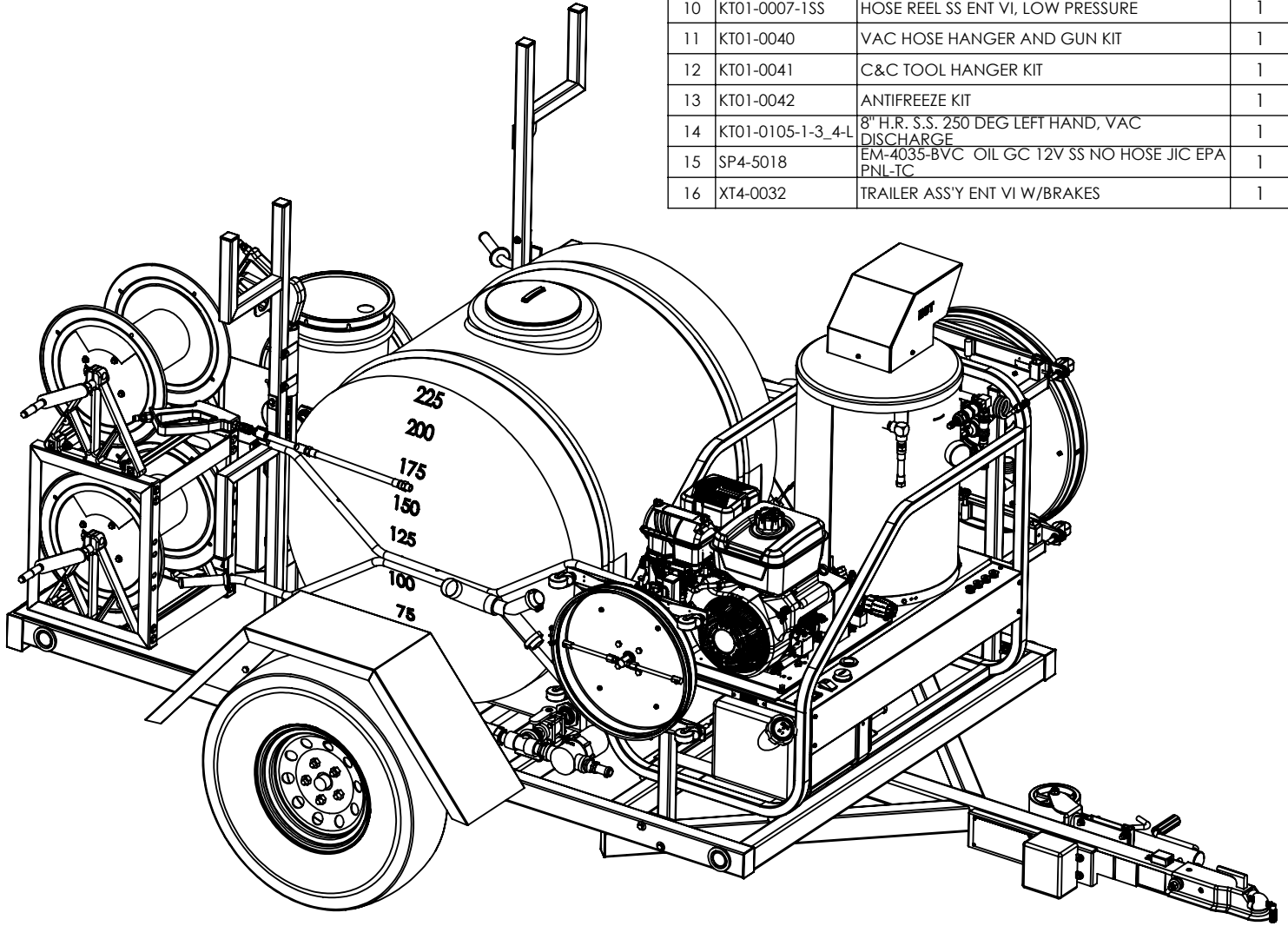
DESCRIPTION 2:  
100' WATER HOSE

REV.	DESCRIPTION	ECR/ECN	DATE	BY
A	2207-102 WAS 2207-120		12/8/2022	BH
	REVISIONS			

DRAWN BY: BH  
DATE: 05/07/2018

DRAW #:  
**KT01-0007-1SS**

ITEM	NUMBER	DESCRIPTION	QTY.
1	02-101400	SCREW, TEKS #10-16 X 3/4"	4
2	ASE-0120-K	16" CLEAN & CAPTURE TOOL, CUSTOM	1
3	ASE-0140-K	24" CLEAN & CAPTURE TOOL, CUSTOM	1
4	B01-0099	RAIN CAP, 8"	1
5	BT4-0357	VAC SLEEVE ASS'Y	1
6	K01-0150	STACK KIT, 12" HOSE REEL	1
7	KT01-0001	WHEEL ASSEMBLY WHITE SPOKE RIM	1
8	KT01-0003-8	225 GAL TANK KIT (ENTII)	1
9	KT01-0005-5SS	HOSE REEL SS ENT VI, HIGH PRESSURE	1
10	KT01-0007-1SS	HOSE REEL SS ENT VI, LOW PRESSURE	1
11	KT01-0040	VAC HOSE HANGER AND GUN KIT	1
12	KT01-0041	C&C TOOL HANGER KIT	1
13	KT01-0042	ANTIFREEZE KIT	1
14	KT01-0105-1-3_4-L	8" H.R. S.S. 250 DEG LEFT HAND, VAC DISCHARGE	1
15	SP4-5018	EM-4035-BVC OIL GC 12V SS NO HOSE JIC EPA PNL-TC	1
16	XT4-0032	TRAILER ASS'Y ENT VI W/BRAKES	1



DESCRIPTION:  
ENT VI TRAILER PACKAGE

DESCRIPTION 2:  
W/ SP4-5018 (EM-4035-BVC) & XT4-0032

DRAW #:  
ATCF4-0001

REV.	DESCRIPTION	ECR/ECN	DATE	BY
A	ADDED ANTIFREEZE KIT		1/16/2023	BH

DRAWN BY: BH  
DATE: 08/26/2022

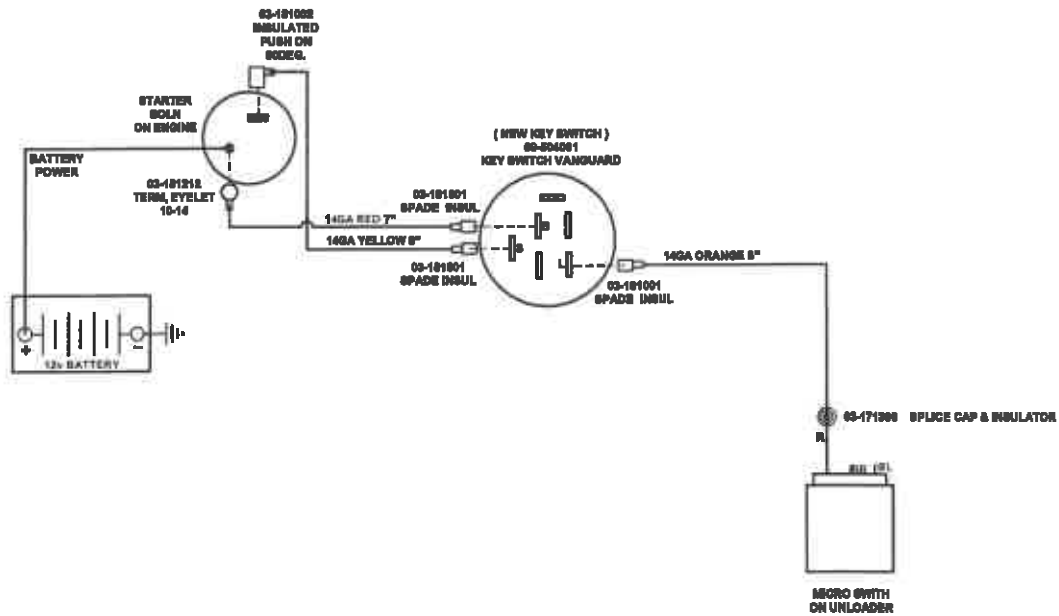
REVISIONS

1-09-504000  
 ENGINE 14VANG & KEY SWITCH: 00-50400 & 00-50401 (USE ON CLUTCH UNITS)  
 00-50400 ENGINE: 14HP VANGUARD  
 00-50401 KEY SWITCH - VANGUARD QTY-1

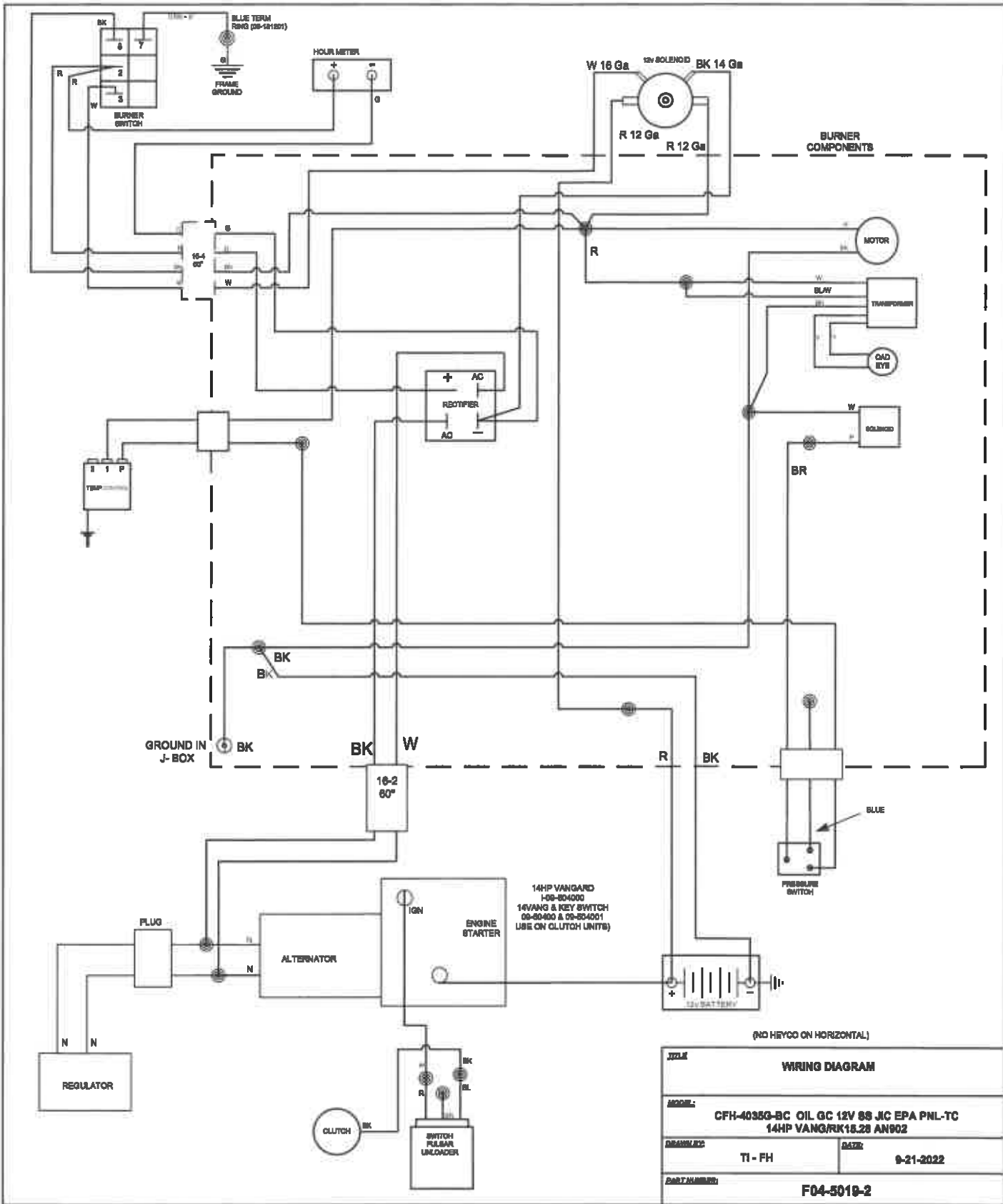
**F-1-09-504000**

- 03-171300 WIRE NUT (SMALLEST SPLICE CAP & INSULATOR) QTY-1
- 03-181002 INSULATED PUSH ON SOLENOID QTY-1
- 03-181212 TERM. EYELET 10-14 QTY-1
- 03-181001 SPADE INSUL QTY-3
- 213 WIRE: RED 14GA X 7" QTY-1
- 215 WIRE: YELLOW 14GA X 8" QTY-1
- 2178 WIRE: ORANGE 14GA X 8" QTY-1

WIRING WHEN A CLUTCH AND A 00-504000 14HP VANGUARD ENGINE - ADD THE KEY SWITCH



<b>TITLE</b>	
<b>SCHEMATIC</b>	
<b>MODEL:</b>	
WIRING WHEN A CLUTCH AND A 14HP VANGUARD ENGINE ADD THE KEY SWITCH	
<b>DRAWN BY:</b>	<b>DATE:</b>
T1 - FH	10-27-2022
<b>PART NUMBER:</b>	
<b>F-1-09-504000</b>	



<b>WIRING DIAGRAM</b>	
MODEL: CFH-4035G-BC OIL GC 12V 8S JIC EPA PNL-TC 14HP VANG/RK18.28 AN902	
DRAWN BY: TI - FH	DATE: 9-21-2022
PART NUMBER: F04-5019-2	