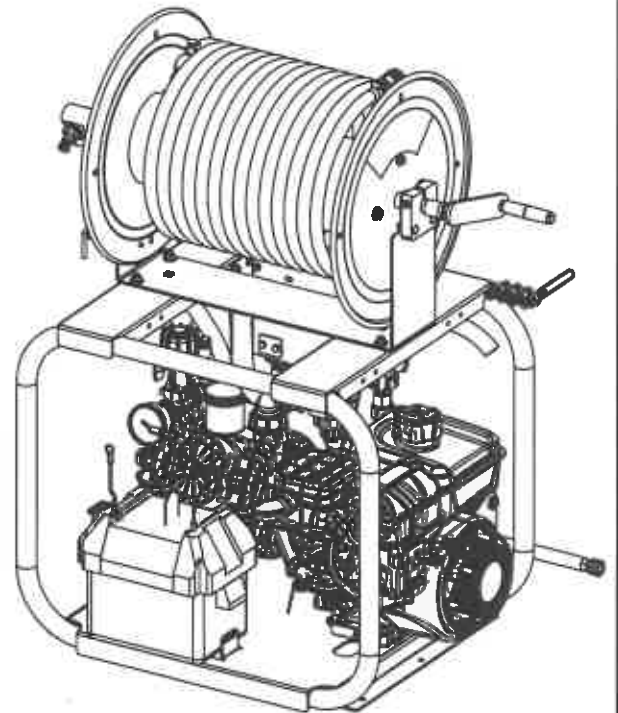
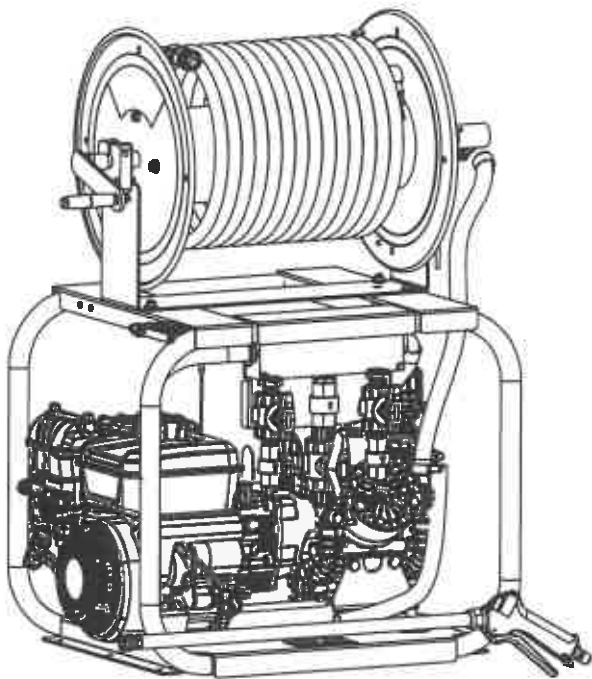


ITEM	NUMBER	DESCRIPTION	QTY.
1	02-522200	POP RIVET	4
2	26-101005	NAME PLATE PRIVATE LABEL	1
3	BSW-0004	FRAME WELDMENT, SOFT WASH	1
4	DSW-0001	DRIVE & PUMP ASS'Y	1
5	ESW-0001	BATTERY COMPONENT ASS'Y, SOFT WASH	1
6	ESW-0002-1	SOFT WASH PROPORTIONER ASS'Y	1
7	ESW-0003	GUN WAND ASS'Y, SOFT WASH	1
8	ESW-0004	J-ROD SPRAY TIP ASS'Y; 8-11GHPM SOFT WASH	1
9	ESW-0009	HOSE ROUTING ASS'Y, AR SOFT WASH	1
10	ISW-0002	DECAL ASS'Y, SOFT WASH	1
11	JSW-0001	PACKAGING ASS'Y, SOFT WASH	1
12	KSW-0001	200 FT. SS SOFT WASH HOSE REEL	1



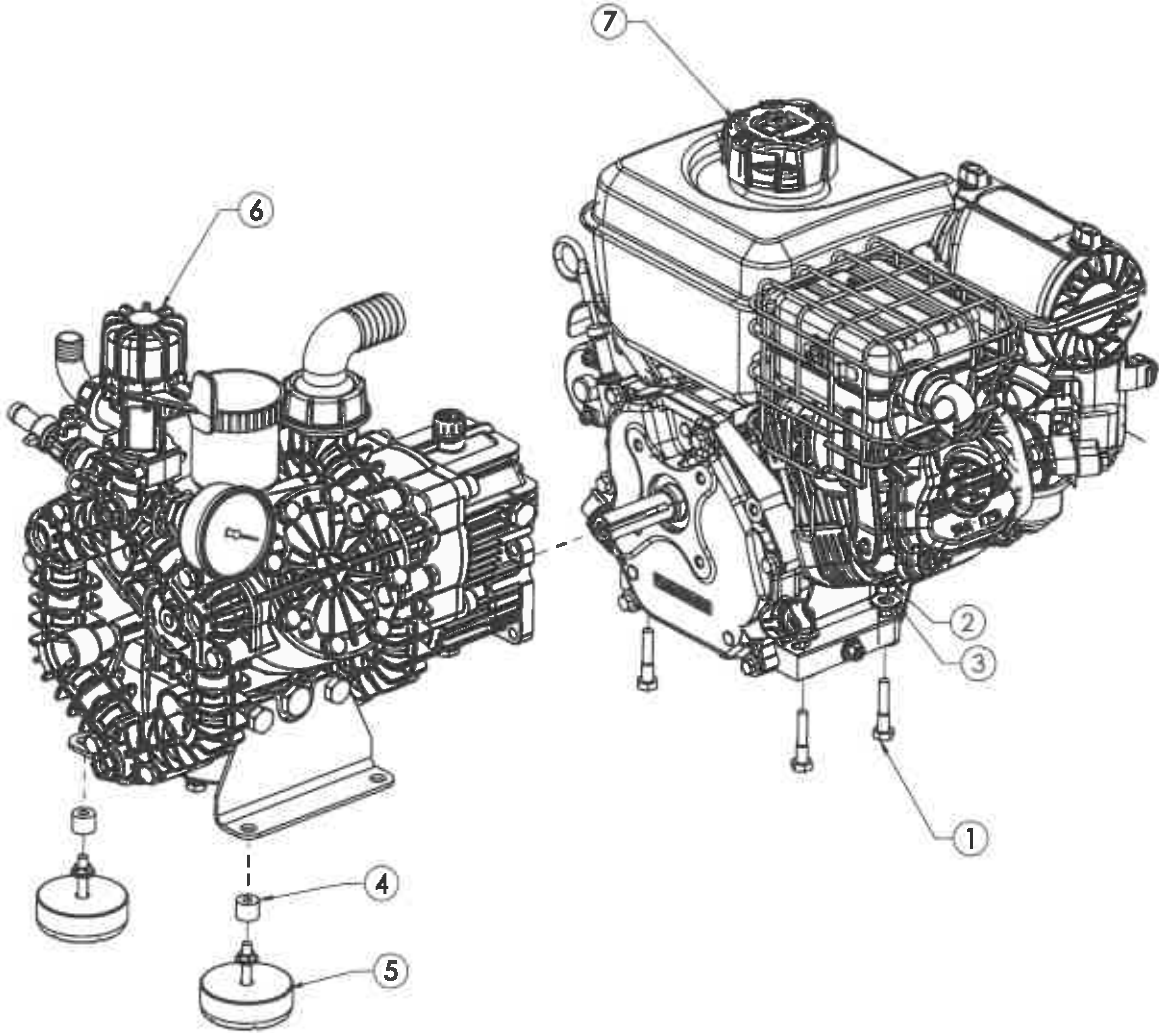
DESCRIPTION:
SW11300-AR-VE SOFT
WASH, 11GPM@300PSI, AR
PUMP

DESCRIPTION 2:
6.5HP VANG, 200FT 1/2"
HOSE REEL

DRAWN BY:
 RH
 DATE
 4/27/2023

DRAW #:
ASW-0001

ITEM	NUMBER	DESCRIPTION	QTY.
1	02-121400	CAPSCW 5/16-18 x 1.5 ZINC	4
2	02-301230	HEXNUT: NYLK 5/16-18 ZINC	4
3	02-501200	WASHER, 5/16" FLAT, ZINC	4
4	02-541080	PLASTIC SPACER 1/2"	2
5	02-551200	BUMPERS, MOLDED RUBBER	2
6	08-001000	PUMP SOFTWASH	1
7	09-503500	6.5HP VANGUARD - ELECTRIC START	1



DESCRIPTION:
DRIVE & PUMP ASSY

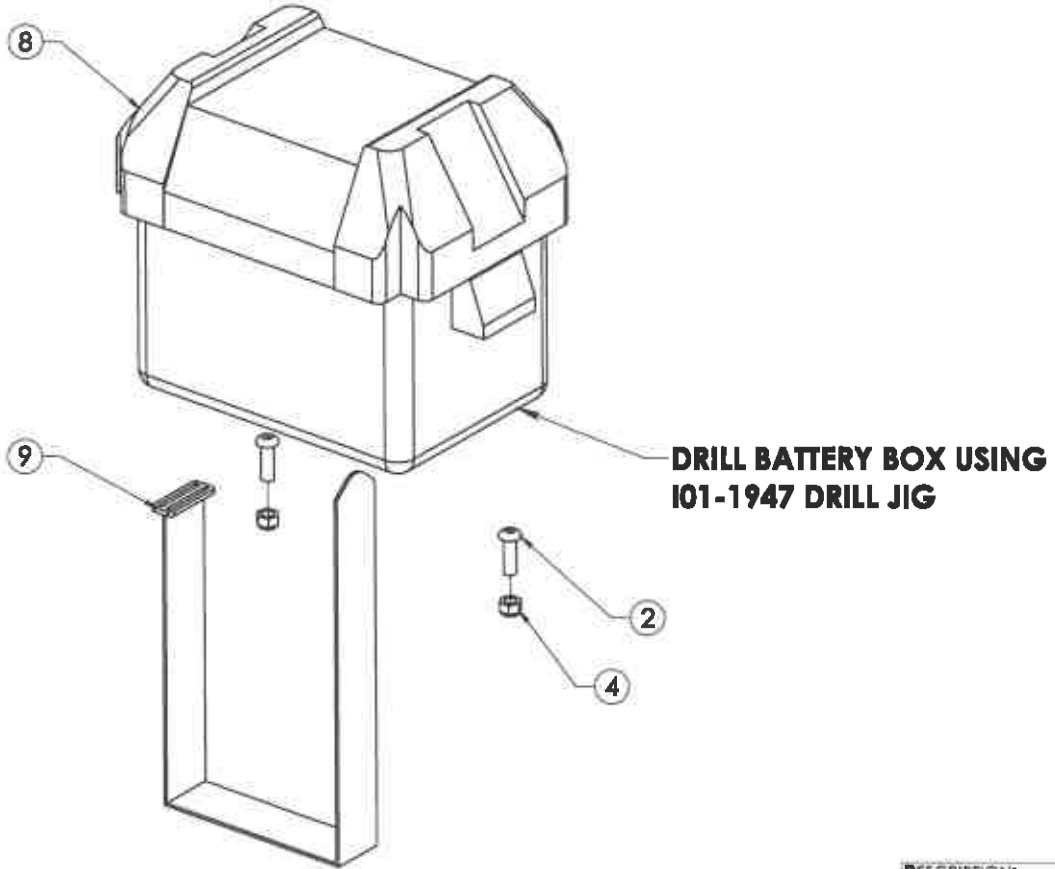
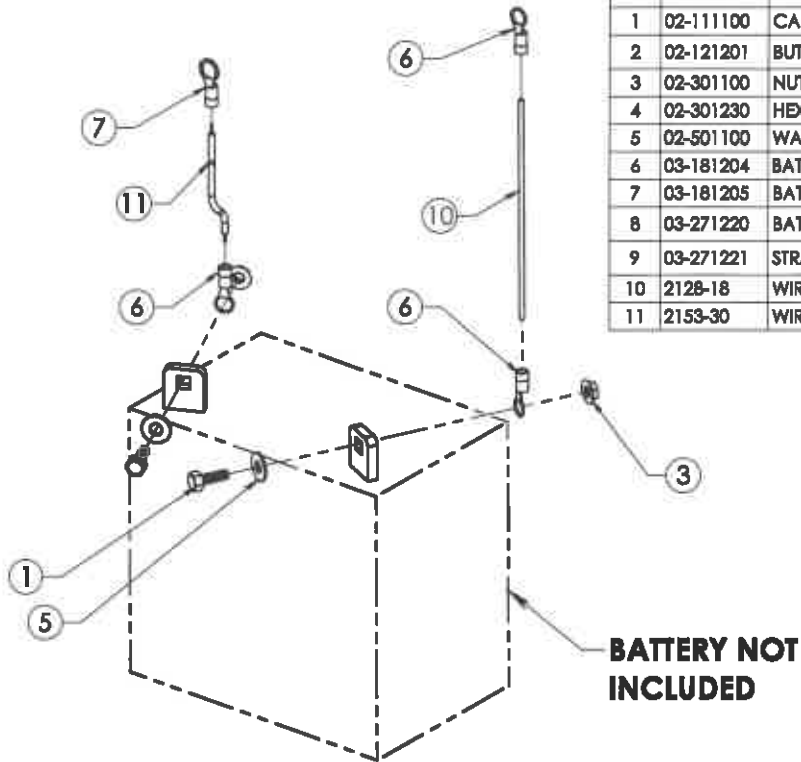
DESCRIPTION 2:
6 1/2HP VANG, AR

REV.	DESCRIPTION	ECR/ECN	DATE	BY
A	02-541079 WAS 1178-PS; REMOVED PUMP MOUNTING HARDWARE (COMES WITH PUMP)		7/20/2023	BH
REVISIONS				

DRAWN BY: BH
DATE: 4/26/2023

DEAW #: DSW-0001

ITEM	NUMBER	DESCRIPTION	QTY.
1	02-111100	CAPSCREW, 1/4-20 x 3/4	2
2	02-121201	BUTTON HEAD 5/16 x 1 CAP SCREW	2
3	02-301100	NUT, HEX: 1/4-20, SERRATED	2
4	02-301230	HEXNUT: NYLK 5/16-18 ZINC	2
5	02-501100	WASHER: 1/4", FLAT, ZINC	2
6	03-181204	BATTERY EYELETS 1A079	3
7	03-181205	BATTERY EYELETS 1A080	1
8	03-271220	BATTERY BOX PLASTIC GARDN	1
9	03-271221	STRAP: SMALL BATTERY BOX	1
10	2128-18	WIRE: BLACK 8GA MTW	1
11	2153-30	WIRE: RED 8GA	1



DESCRIPTION:
BATTERY COMPONENT
ASS'Y, SOFT WASH

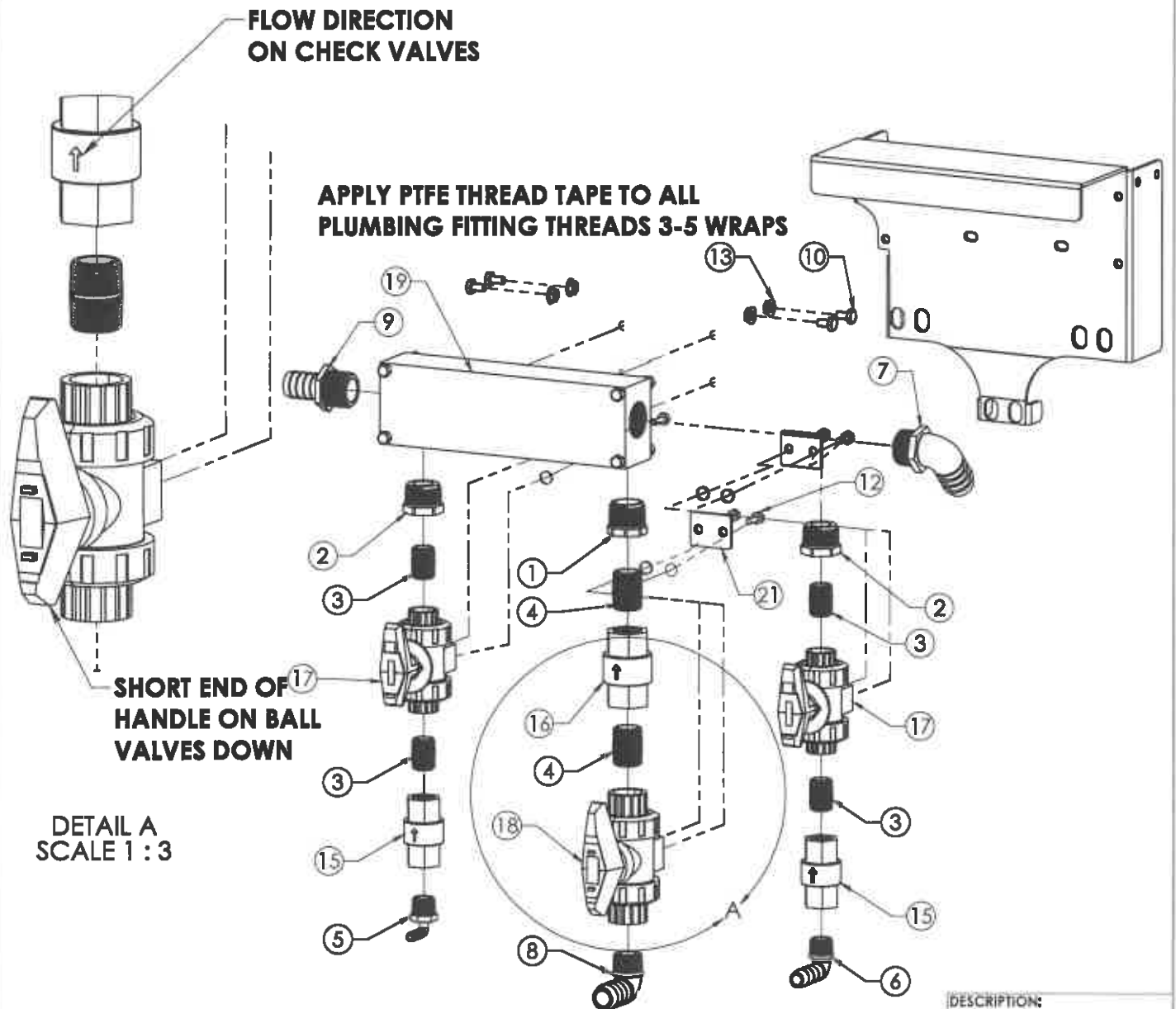
DESCRIPTION 2:

DRAWN BY:
BH
DATE:
4/27/2023

DRAW #:
ESW-0001

ITEM	NUMBER	DESCRIPTION	QTY.
1	01-102008	BUSHING 1" X 3/4" SCH80 PVC	1
2	01-102009	BUSHING 1" X 1/2" SCH80 PVC	2
3	01-281010	NIPPLE 1/2" CLOSE SCH80 PVC	4
4	01-291007	NIPPLE 3/4" CLOSE SCH80 PVC	2
5	01-411501	HOSE BARB 1/2" MPT X 3/8" HB ELBOW POLY	1
6	01-411615	HOSE BARB 1/2" MPT X 1/2" HB ELBOW PVC	1
7	01-411617	HOSE BARB 1" MPT X 1" HB ELBOW PVC	1
8	01-411803	HOSE BARB 3/4" MPT X 3/4" HB ELBOW PVC	1
9	01-412102	HOSE BARB 1" MPT X 3/4" HB PVC	1
10	02-111000	CAP SCREW 1/4-20 x 1/2	4

ITEM	NUMBER	DESCRIPTION	QTY.
11	02-111700	CAPSCREW: 1/4-20 X 2 1/2	4
12	02-191001	HEX CAP SCREW	6
13	02-301100	NUT, HEX: 1/4-20, SERRATED	4
14	02-301130	NUT, HEX: NYLK 1/4"-20 ZINC	4
15	05-121240	CHECK VALVE 1/2" SOFTWASH	2
16	05-121250	CHECK VALVE 3/4" SOFTWASH	1
17	05-201230	BALL VALVE 1/2" SOFTWASH	2
18	05-201240	BALL VALVE 3/4" SOFTWASH	1
19	29-144100	PROPORTIONER MANIFOLD, SOFT WASH	1
20	BSW-0006	PROPORTIONER BRACKET	1
21	BSW-0008	BALL VALVE BACKING PLATE	3



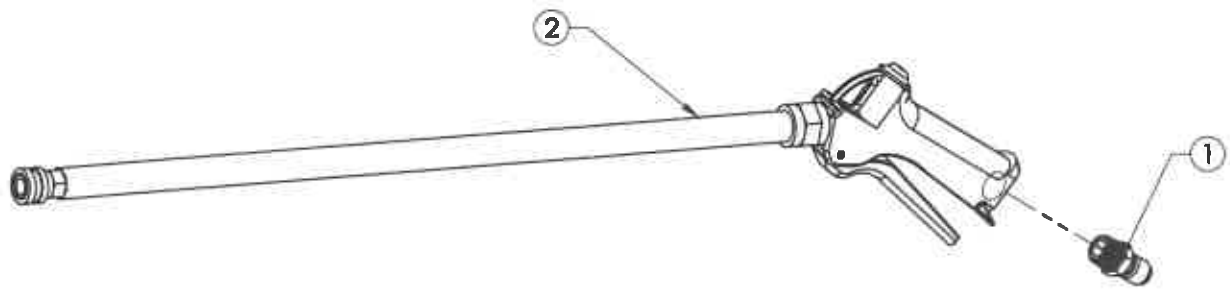
DESCRIPTION:
SOFT WASH
PROPORTIONER ASSY

DESCRIPTION 2:
WITH MANIFOLD

DRAWN BY: BH
DATE: 6/29/2023

DEAW #: ESW-0002-1

ITEM	NUMBER	DESCRIPTION	QTY.
1	01-421604	QUICK COUPLER 1/2" MNPT PLUG	1
2	06-152450	GUN/LANCE SOFTWASH W/COUPLER	1



DESCRIPTION:
GUN WAND ASS'Y, SOFT WASH

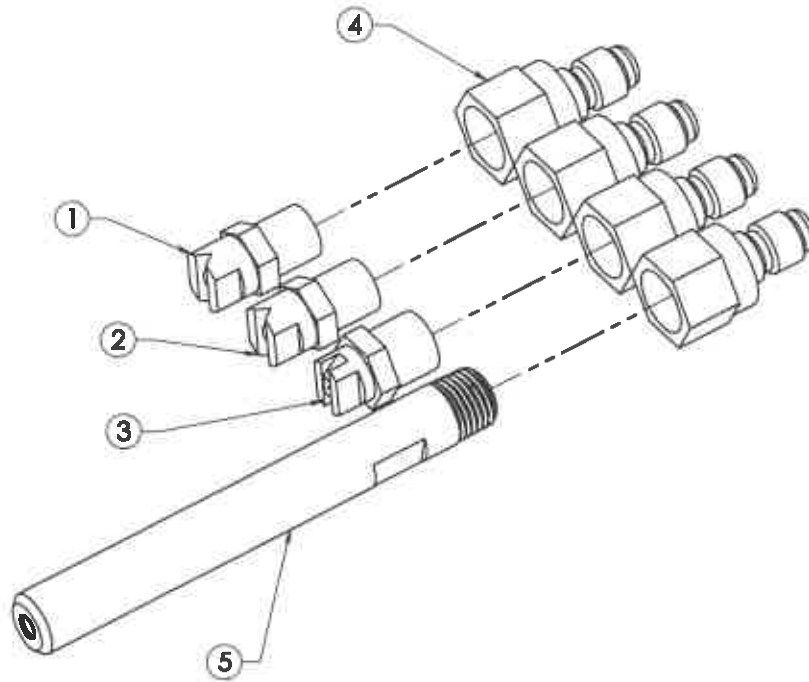
DESCRIPTION 2:

DRAWN BY: BH

DATE: 8/9/2023

DRAW #:
ESW-0003

ITEM	NUMBER	DESCRIPTION	QTY.
1	06-105000	WASH JET #0050 1/4" MEG	1
2	06-105025	WASH JET #2550 1/4" MEG	1
3	06-105040	WASH JET #4050 1/4" MEG	1
4	BSW-0009	QUICK COUPLER WELDMENT, SOFT WASH	1
5	BSW-0010	SOFT WASH TALL REACH TIP 8-11 GPM	1



DESCRIPTION:
J-ROD SPRAY TIP ASS'Y; 8-11GHPM SOFT WASH

DESCRIPTION 2:

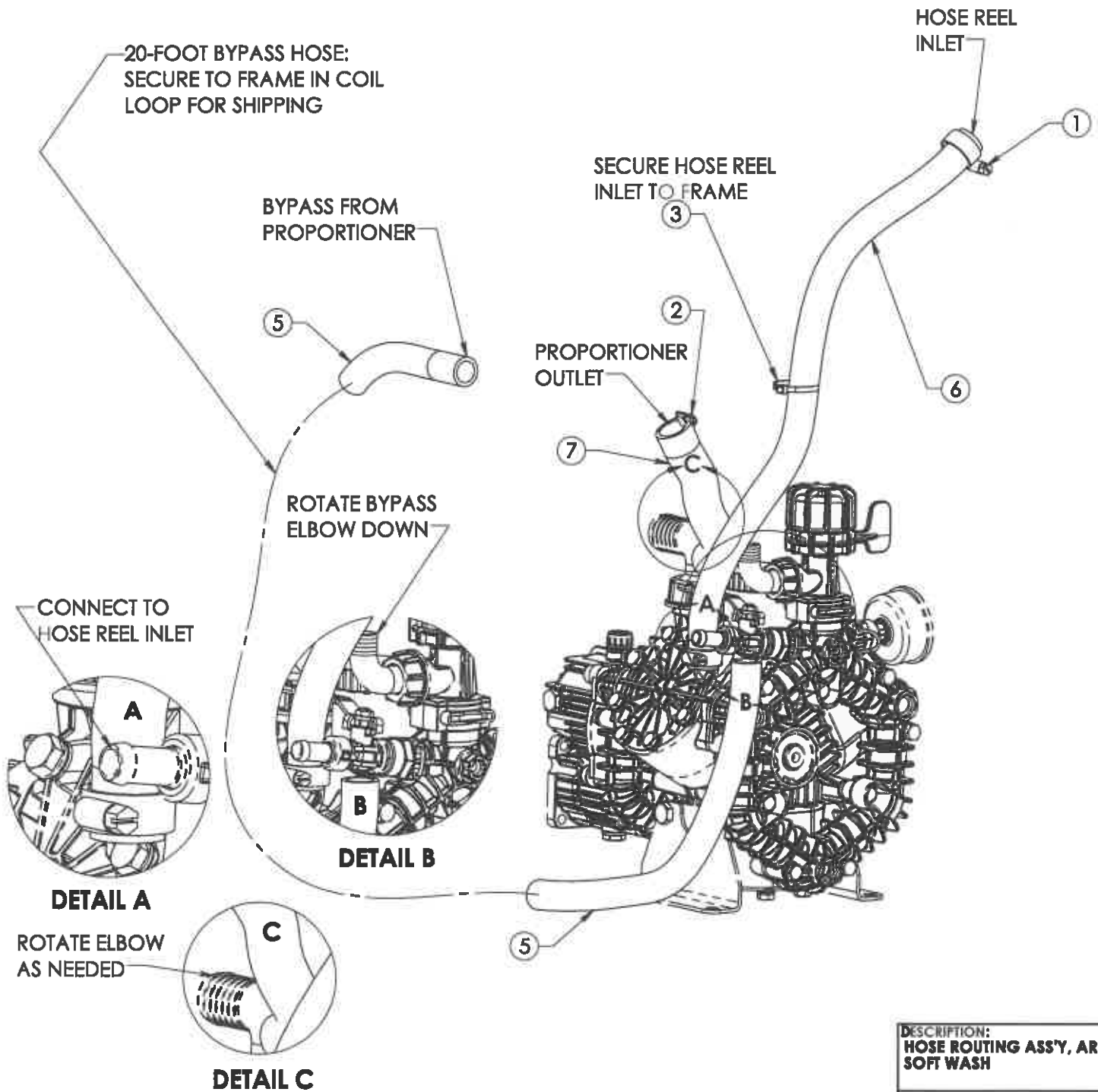
REV.	DESCRIPTION	ECR/ECN	DATE	BY
A	SHOWING COUPLING WELDMENT PROPERLY		8/21/2023	BH

DRAWN BY: BH
DATE: 8/20/2023

DRAW #:
ESW-0004

REVISIONS

ITEM	NUMBER	DESCRIPTION	QTY.
1	01-451200	CLAMP: FOR 1/2-5/8 HOSE SUR TITE	2
2	01-451200-1	CLAMP: 3/4"	2
3	02-531011	CABLE TIE, RAP TIGHT, 11"	1
4	02-531011	CABLE TIE, RAP TIGHT, 11"	4
5	2221-20	HOSE: 3/4" POLY BRAID X 20 FEET	1
6	2221-24	HOSE: 3/4" POLY BRAID	1
7	2261-41	HOSE 1" BULK POLY BRAID	1



DESCRIPTION:
HOSE ROUTING ASS'Y, AR
SOFT WASH

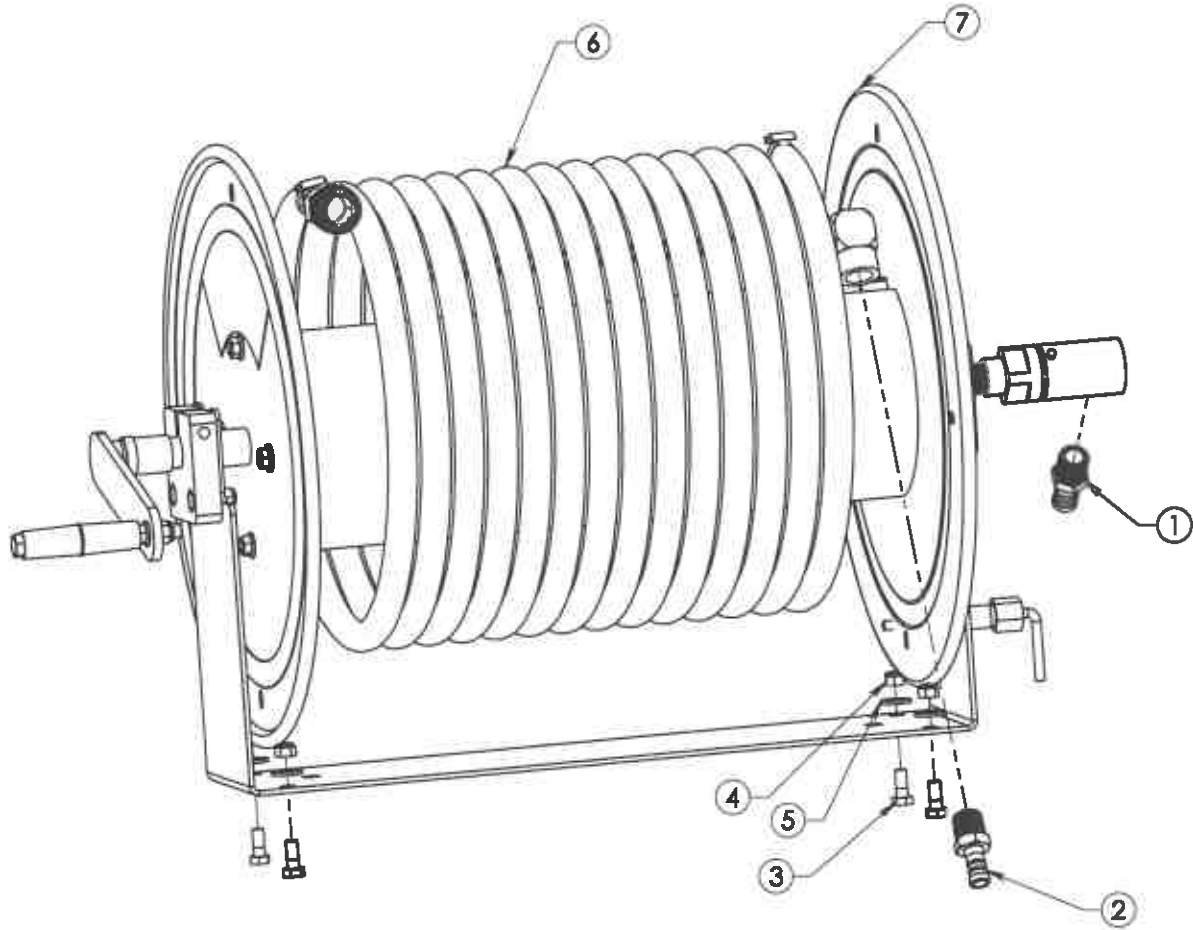
DESCRIPTION 2:

REV.	DESCRIPTION	ECR/ECN	DATE	BY	DATE	REVISIONS
A	2221-24 & 2261-41 WERE 2221-25 & 2261-9; CHANGED PER TIM I.		10/31/2023	BH		

DRAWN BY: BH
DATE: 9/15/2023

DRAW #:
ESW-0009

ITEM	NUMBER	DESCRIPTION	QTY.
1	01-411804	HOSE BARB 3/4" X 1/2" MPT SST	1
2	01-412209	HOSE BARB 1/2" X 1/2" MNPT	1
3	02-121100	CAPSCREW: ZINC 5/16 x 3/4	4
4	02-301230	HEXNUT: NYLK 5/16-18 ZINC	4
5	02-501200	WASHER, 5/16" FLAT, ZINC	4
6	ESW-0005	200 FT SOFT WASH HOSE ASS'Y	1
7	KSE-1000-SW-L	18" S.S. REEL ASSEMBLY LEFT HAND	1



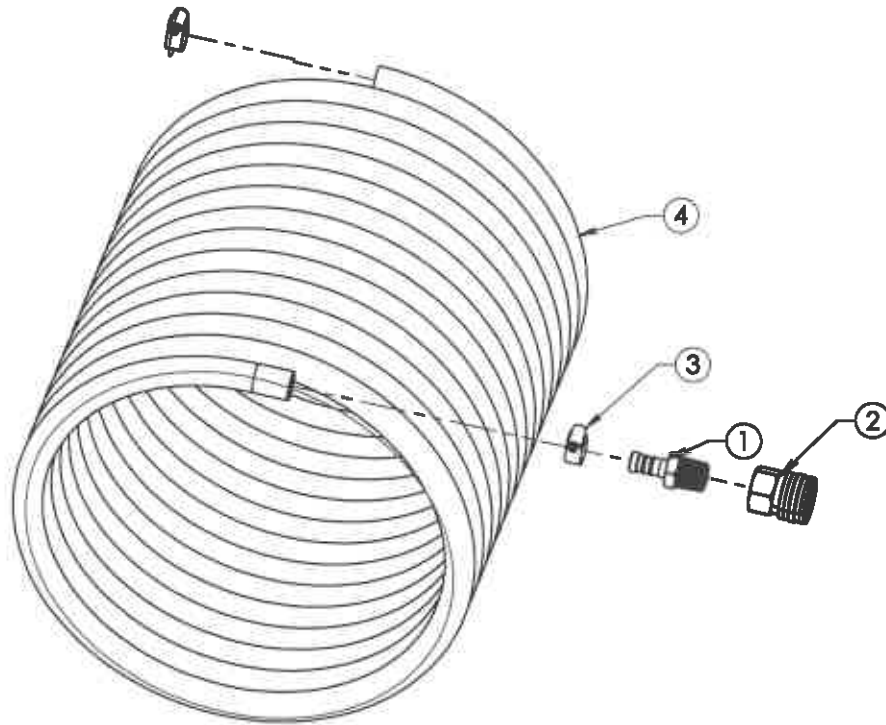
DESCRIPTION:
**200 FT. SS SOFT WASH
HOSE REEL**

DESCRIPTION 2:
W/200 FT HOSE

DRAWN BY:
 BH
 DATE:
 8/9/2023

DRAW #:
KSW-0001

ITEM	NUMBER	DESCRIPTION	QTY.
1	01-412209	HOSE BARB 1/2" X 1/2" MNPT	1
2	01-421603	QUICK COUPLER 1/2" FNPT	1
3	01-451001	HOSE CLAMP	2
4	2257-200	BULK ITEM HOSE 1/2" - MULTI-PURPOSE	1



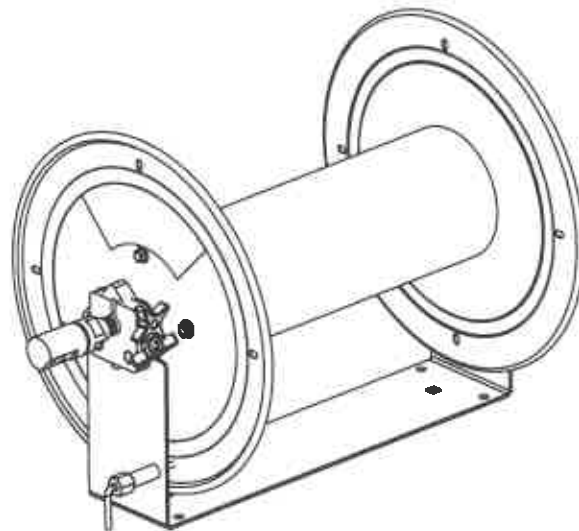
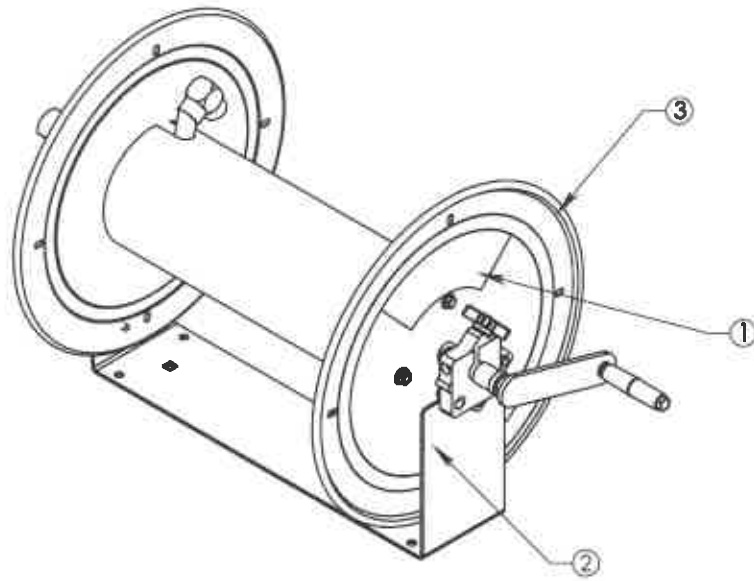
DESCRIPTION:
200 FT SOFT WASH HOSE
ASS'Y

DESCRIPTION 2:
300 PSI RED

DRAWN BY:
BH
DATE:
8/9/2023

DRAW #:
ESW-0005

ITEM	NUMBER	DESCRIPTION	QTY.
1	26-221052	STEEL EAGLE DECAL	2
2	BSE-0751	FRAME ASSEMBLY	1
3	BSE-0752-L	18" SS HOSE REEL SOFT WASH, LEFT HAND	1



DESCRIPTION:
**18" S.S. REEL ASSEMBLY
LEFT HAND**

DESCRIPTION 2:
SOFT WASH

DRAWN BY:
BH
DATE:
8/8/2023

DRAW #:
KSE-1000-SW-L