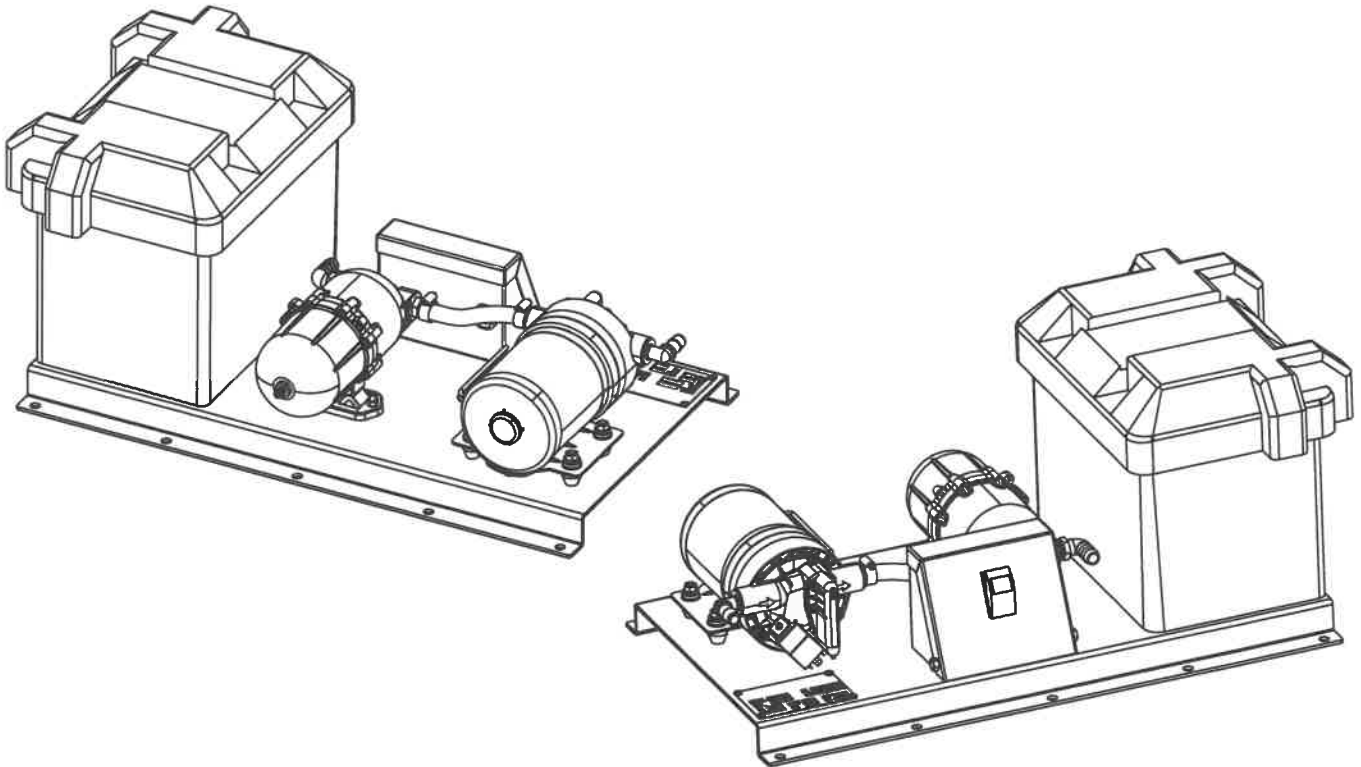


ITEM	NUMBER	DESCRIPTION	QTY.
1	02-522200	POP RIVET	4
2	26-101005	NAME PLATE PRIVATE LABEL	1
3	BSW-0005	SKID BASE, SOFT WASH	1
4	DSW-0005	DRIVE COMP. ASS'Y, SOFT WASH 12V, 7GPM SKID	1
5	FSW-0002	ELECTRICAL ASSEMBLY, SOFT WASH 12V, 7GPM	1
6	FSW-0002-0	SCHEMATIC, SOFT WASH 12V, 7GPM	1
7	ISW-0002	DECAL ASS'Y, SOFT WASH	1
8	JSW-0001	PACKAGING ASS'Y, SOFT WASH	1



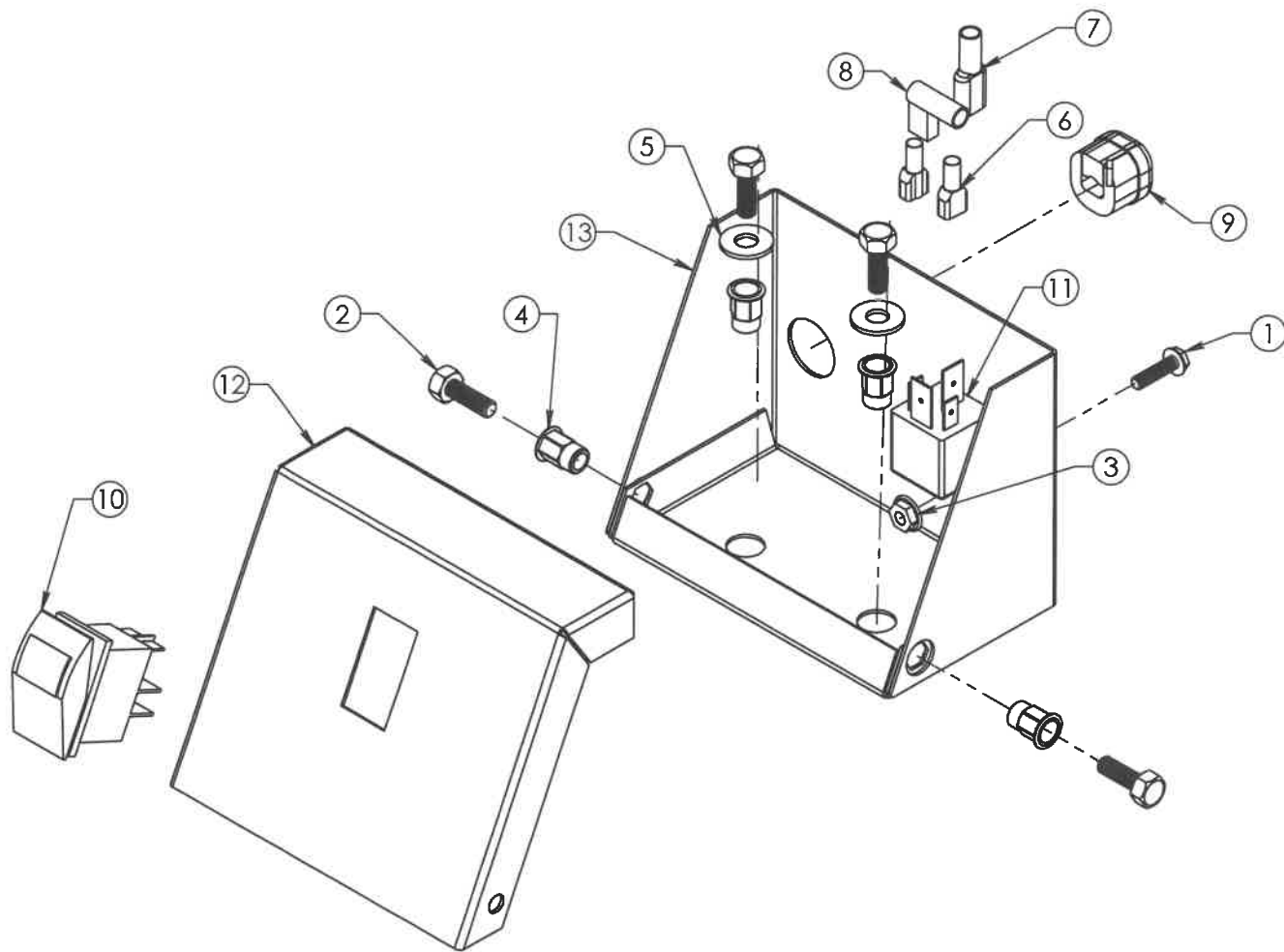
**DESCRIPTION:**  
**SW7100-12V-SK, SOFT  
WASH, 7GPM@100PSI**

**DESCRIPTION 2:**  
**SKID PLATE, 12V  
W/ACCUMULATOR**

DRAWN BY:  
BH  
DATE:  
9/29/2023

DRAW #:  
**ASW-0007**

ITEM	NUMBER	DESCRIPTION	QTY.
1	02-101700	MACH SCREW, #10-32 x 3/4"	1
2	02-111100	CAPSCREW, 1/4-20 x 3/4	4
3	02-301003	HEX NUT #10-32 FLANGED	1
4	02-301106	RIVET NUT HEX 1/4"-20 UNC	4
5	02-501100	WASHER: 1/4", FLAT, ZINC	2
6	03-181001	SPADE, 250 FEM, 14-16, INSUL	2
7	03-181004	FEMALE PUSH ON	1
8	03-181012	UNSUL. FLAG 90 DEG.	1
9	03-192100	CONNECTOR "W" ST BLACK	1
10	03-211319	ROCKER SWITCH 20A 12 V	1
11	03-312025	12VDC 70AMP RELAY	1
12	BSW-0014	CONTROL PANEL, SOFT WASH, 12V	1
13	BSW-0015	CONTROL BOX, SOFT WASH, 12V	1

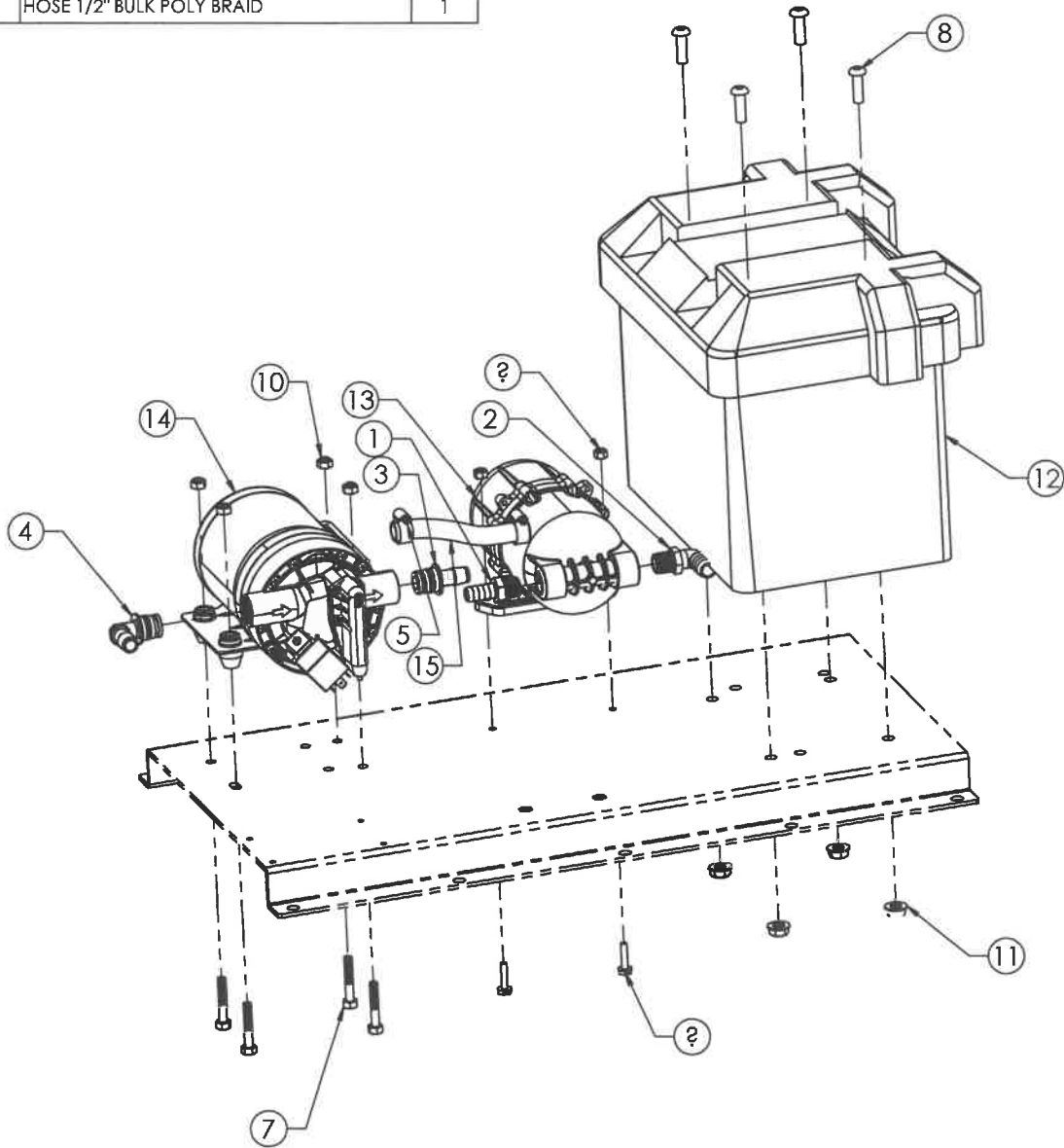


DESCRIPTION:  
ELECTRICAL ASSEMBLY,  
SOFT WASH 12V, 7GPM

DESCRIPTION 2:

REV.	DESCRIPTION	ECR/ECN	DATE	BY	DRAWN BY:	DATE:	DRAW #:
A	03-192100 WAS 03-192000; CHANGED PER TIM I.		1/25/2024	BH	BH	10/02/2023	FSW-0002
	REVISIONS						

ITEM	NUMBER	DESCRIPTION	QTY.
1	01-411411	HOSE BARB 3/8 MNPT X 1/2 BARB	1
2	01-411412	HOSE BARB 3/8" MNPT X 1/2" BARB ELBOW	1
3	01-411807	HOSE BARB 3/4" QUICK ATTACH	1
4	01-411808	HOSE BARB 3/4" QUICK ATTACH	1
5	01-451001	HOSE CLAMP	2
6	02-102300	BOLT: 3/16 x 7/8"	2
7	02-111400	CAPSCREW: 1/4-20 X 1 1/2	4
8	02-121201	BUTTON HEAD 5/16 x 1 CAP SCREW	4
9	02-301060	3/16" NYLOK NUT	2
10	02-301130	NUT, HEX: NYLK 1/4"-20 ZINC	4
11	02-301200	5/16-18 ZINC SERRATED NUT	4
12	03-271210	BATTERY BOX, TYPE 24F	1
13	05-301700	ACCUMULATOR 1/2" MNPT 125 PSI	1
14	08-004000	PUMP SOFTWASH - 7GPM 12VDC	1
15	2258-5	HOSE 1/2" BULK POLY BRAID	1



DESCRIPTION:  
DRIVE COMP. ASS'Y, SOFT  
WASH 12V, 7GPM SKID

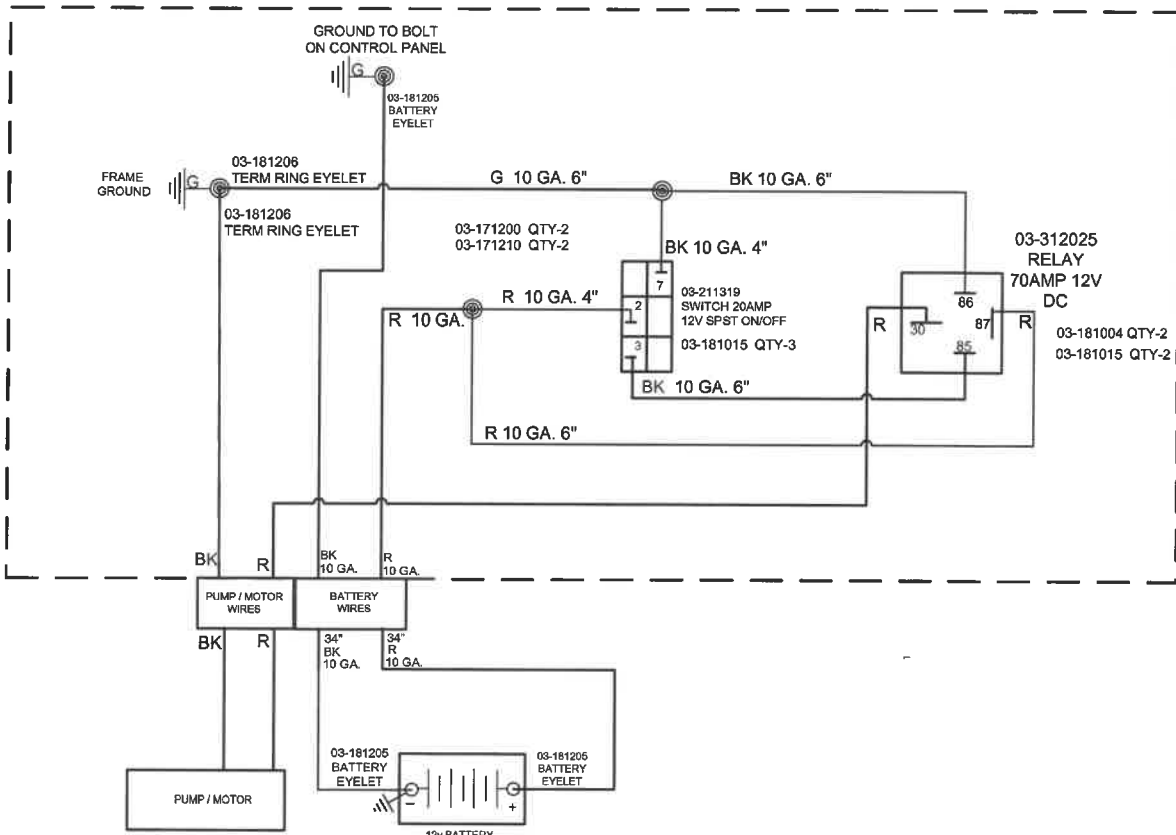
DESCRIPTION 2:

DRAW #:  
**DSW-0005**

REV.	DESCRIPTION	ECR/ECN	DATE	BY
B	ADDED HOSE AND CLAMPS		1/25/2024	BH
A	01-411411 & 01-411412 WERE 01-411614 & 01-411615		11/29/2023	BH

DRAWN BY:  
BH  
DATE:  
9/29/2023

REVISIONS



- 03-171200 SPLICE CAP INSUL LARGE QTY-2
- 03-171210 -WIRE NUT QTY-2
- 03-181004 INSL CONN. QTY-2
- 03-181015 INSL CONN. QTY-5
- 03-181205 BATTERY EYELET QTY-2
- 03-181206 TERM EYELET QTY 2
- 2116 WIRE: BLACK 10GA MTW X 6"
- 2166 WIRE: RED 10GA MTW X 8"
- 2165 WIRE: GREEN 10GA MTW X 6"
- 2166 WIRE: RED 10GA MTW X 34"
- 2165 WIRE: GREEN 10GA MTW X 34"

<b>TITLE</b>	
SCHEMATIC	
<b>MODEL:</b>	
SOFT WASH 12V, 7GPM	
<b>DRAWN BY:</b>	<b>DATE:</b>
TI - FH	10-4-2023
<b>PART NUMBER:</b>	
FSW-0002-0	