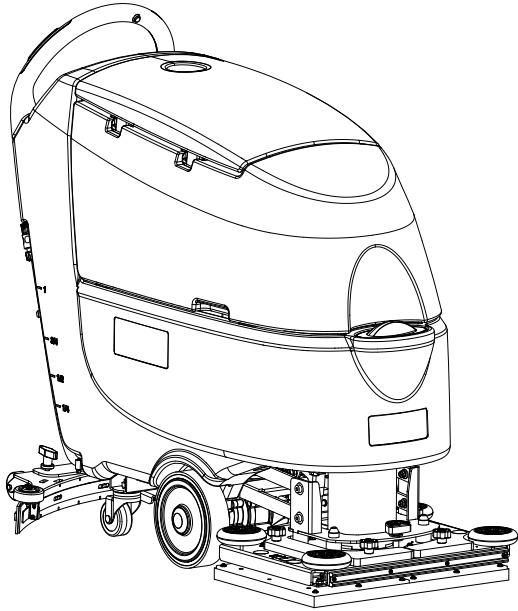
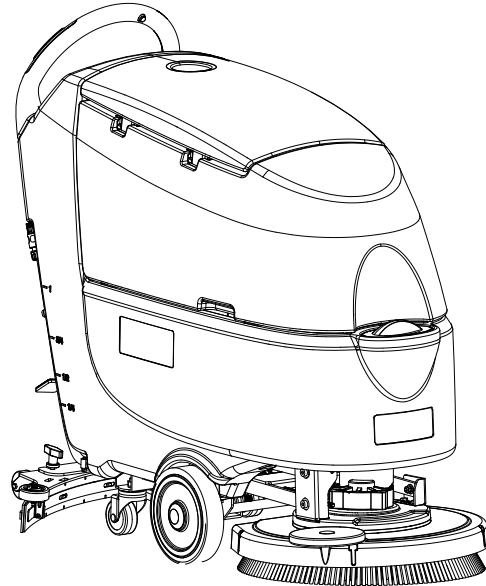


# Clarke®

**CA60 20B/CA60 24B**



**CA60 20D/CA60 20TD**



**Instructions For Use - Original Instructions / Instrucciones de uso / Mode d'emploi**



**READ THIS BOOK**  
**LEA ESTE MANUAL**  
**LISEZ CE MANUEL**

**EN** English (1-24)  
**ES** Español (25-48)  
**FR** Français (49-72)

This book has important information for the use and safe operation of this machine. Failure to read this book prior to operating or attempting any service or maintenance procedure to your Clarke machine could result in injury to you or to other personnel; damage to the machine or to other property could occur as well. You must have training in the operation of this machine before using it. If your operator(s) cannot read this manual, have it explained fully before attempting to operate this machine.

All directions given in this book are as seen from the operator's position at the rear of the machine.

## TABLE OF CONTENTS

<b>INTRODUCTION .....</b>	<b>1</b>
MANUAL CONTENT AND PURPOSE.....	1
HOW TO KEEP THIS MANUAL.....	1
DECLARATION OF CONFORMITY .....	1
ACCESSORIES AND MAINTENANCE .....	1
CHANGE AND IMPROVEMENT .....	1
SCOPE OF APPLICATION .....	1
MACHINE IDENTIFICATION DATA .....	1
TRANSPORT AND UNPACKING .....	2
 <b>SAFETY .....</b>	 <b>2</b>
VISIBLE SYMBOLS ON THE MACHINE.....	2
SYMBOLS THAT APPEAR ON THE INSTRUCTION FOR USE MANUAL .....	2
GENERAL SAFETY INSTRUCTION.....	3
 <b>MACHINE DESCRIPTION .....</b>	 <b>5</b>
MACHINE STRUCTURE.....	5
CONTROL PANEL .....	6
DISPLAY WINDOW OF CHARGER INDICATON LIGHT .....	6
TECHNICAL PARAMETERS.....	7
 <b>OPERATING GUIDE.....</b>	 <b>8</b>
BATTERY CHECK/SETTING ON A NEW MACHINE .....	9
BATTERY INSTALLATION AND BATTERY TYPE SETTING (WET OR GEL/ AGM).....	9
BRUSH/PAD-HOLDER INSTALLATION AND UNINSTALLATION.....	10
ADJUSTING THE BALANCE OF SQUEEGEE.....	10
SOLUTION OR WASHING WATER TANK FILLING .....	11
DETERGENT TANK FILLING (FOR MACHINES WITH CHEMICAL MIXING SYSTEM).....	11
MACHINE START AND STOP .....	12
ADJUSTING THE LEVEL OF ORBITAL DECK(only for orbital machine) .....	12
MACHINE OPERATION (SCRUBBERING AND DRYING) .....	13
TANK EMPTYING .....	14
AFTER USING THE MACHINE.....	15
MACHINE LONG INACTIVITY .....	15
FIRST PERIOD OF USE.....	15
 <b>MAINTENANCE .....</b>	 <b>16</b>
SCHEDULED MAINTENANCE TABLE .....	16
BATTERY CHARGING .....	17
BRUSH/PAD CLEANING .....	18
SOLUTION FILTER CLEANING .....	18
SQUEEGEE CLEANING.....	19
SQUEEGEE BLADE CHECK AND REPLACEMENT .....	20
TANK AND VACUUM GRID WITH FLOAT CLEANING, AND COVER GASKET CHECK.....	21
DETERGENT TANK CLEANING.....	22
MACHINE WORKING HOUR CHECK .....	22
FUSE CHECK/REPLACEMENT .....	23
ACCESSORIES/OPTIONS .....	24
 <b>TROUBLESHOOTING.....</b>	 <b>24</b>
 <b>SCRAPPING.....</b>	 <b>24</b>

## INTRODUCTION



### NOTE

The numbers in brackets refer to the components shown in **Machine Description** chapter.

## MANUAL CONTENT AND PURPOSE

The purpose of this Instruction for Use Manual is to provide the operator with necessary information to use the machine properly and safely. It contains information about technical data, safety, operation, storage, maintenance, spare parts and how to scrap it.

Before performing any procedure on the machine, no matter the operators and qualified technicians must read this Manual carefully. Contact our company service center for any query about this manual or for any further information is needed.

The operators must not perform procedures that should be done by qualified technicians. Our company will not be answerable for damages coming from the non-observance of this prohibition.

## HOW TO KEEP THIS MANUAL

The Manual must be kept near the machine, inside an adequate case, away from liquids and other substances that can cause any damage to it.

## DECLARATION OF CONFORMITY

Declaration of Conformity is supplied with the machine and certifies machine conformity with the law in force.



### NOTE

The copies of the original declaration of conformity are provided together with the machine documentation.

## ACCESSORIES AND MAINTENANCE

All the necessary operation, maintenance and repair procedures must be performed by qualified personnel, or by our company appointed service center. ONLY authorized spare parts and accessories should be used.

Contact our company customer service for any service or purchase of accessories or spare parts if necessary.

## CHANGE AND IMPROVEMENT

We committed to continuous improvement of its products, the company reserves the right to the machine changes and improvements without informing in additional.

## SCOPE OF APPLICATION

The scrubber applies to commercial and industrial use. It is suitable for cleaning smooth and solid floor, operating by a qualified personnel in safety circumstance. It is not suitable for outdoor use or carpet or rough floor cleaning.

## MACHINE IDENTIFICATION DATA

The machine serial number and model name are marked on the serial label.

This information is useful. Use the following table to write down the machine identification data when requiring spare parts for the machine.

MACHINE MODEL.....
MACHINE SERIAL NUMBER.....

## TRANSPORT AND UNPACKING

When the carrier delivers the machine, make sure the packaging and machine are both whole and undamaged. If any damaged, make the carrier know the damage and before accepting the goods, reserve the right in compensation of the damage.

Follow the instructions on packing strictly when unpacking the machine.

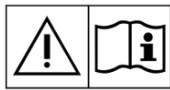
Check the package to ensure following items are included:

1. Technical documentations including Quick Start Guide manual, on-board charger manual if on-board charger is equipped.
2. Charger cable if on-board charger is equipped.
3. Two fuses, the low power circuit fuse (5A) and the Brush release fuse (20A/5A).

## SAFETY

The following symbols indicate potentially dangerous situations. Always read this information carefully and take all necessary precautions to safeguard people and property.

### VISIBLE SYMBOLS ON THE MACHINE



#### WARNING!

Read all the instructions carefully before performing any operation on the machine.



#### WARNING!

Do not wash the machine with direct or pressurized water jets.



#### WARNING!

Do not use the machine on slopes with a gradient exceeding that is defined in the specification.

### SYMBOLS THAT APPEAR ON THE INSTRUCTION FOR USE MANUAL



#### DANGER!

It indicates a dangerous situation with risk of death for the operator.



#### WARNING!

It indicates a potential risk of injury for people.



#### CAUTION!

It indicates a caution or a remark related to important or useful functions. Pay attention to the paragraphs marked by this symbol.



#### NOTE

It indicates a remark related to important or useful functions.



#### CONSULTATION

It indicates the necessity to refer to the Instruction for Use manual before performing any procedure.



**GENERAL SAFETY INSTRUCTION**

Specific warnings and cautions to inform about potential damages to people and machine are shown below.

**DANGER!**

- This machine must be operated by trained and authorized personnel according to guidance of the manual.
- Before performing any cleaning, maintenance, repair or replacement procedure, read all the instructions carefully, ensure to turn the machine OFF and disconnect the battery connector.
- Do not operate the machine near toxic, dangerous, flammable and/or explosive powders, liquids or vapor. This machine is not suitable for collecting dangerous powders.
- Do not wear jewels when working near electrical components.
- Do not work under the lifted machine without supporting it with safety stands.
- When using lead (WET) batteries, they may emit inflammable gas under normal use, must keep sparks, flames, smoking materials and radiating, illuminating and burning items away from the batteries.
- When charging lead (WET) batteries, they may emit hydrogen gas which may cause explosive. Must ensure the charging environment is well ventilated and away from naked flames.

**WARNING!**

- Check the machine carefully before each use. Ensure that all the components have been well assembled before use. Or it may causes damages to people and properties.
- Before using the battery charger, ensure that the values of frequency and voltage indicated on the machine serial number label match those of mains.
- Never move the machine by pulling the battery charger cable. Do not let the cable through a closed door, or winding on sharp edges or corners. Do not run the machine on the battery charger cable. Keep the battery charger cable away from heated surfaces.  
Do not charge the batteries if the battery charger cable or the plug are damaged.
- To reduce the risk of fire, electric shock, or injury, make sure machine is off before leaving.
- Use or store the machine indoors in dry conditions, it is not allowed for outdoor use.
- The machine both storage and working temperature must be between 0 °C and +40 °C, the humidity of air must be between 30% - 95%.
- Do not use the machine on slopes with a gradient exceeding as specification show.
- When using and handling floor cleaning detergents, follow the instructions on the labels of the detergent bottles and wear suitable gloves and protections.
- Use brushes and pads supplied with the machine or defined in the manual. Using other brushes or pads could reduce safety.
- In case of machine malfunctions, ensure that these are not due to lack of maintenance. If necessary, request assistance from the authorized personnel or from an authorized Service Center.
- Take all necessary precautions to prevent hair, jewels and loose clothes from being caught by the machine moving parts.
- Do not use the machine in particularly dusty areas.  
Do not wash the machine with direct or pressured water jets, or with corrosive substances.
- Do not bump into shelves or scaffoldings, especially where there is a risk of falling objects.
- Do not lean liquid containers on the machine, use the relevant can holder.
- To avoid damaging the floor, do not allow the brush/pad to operate while the machine is stationary.
- In case of fire, use a dry powder fire extinguisher. Do not use liquid fire extinguishers.
- Do not remove or modify the machine stickers.
- Do not tamper with the machine safety guards and follow the ordinary maintenance instructions scrupulously.
- Pay attention during machine transportation when temperature is below freezing point. The water in the recovery tank and in the hoses could freeze and cause seriously damage to the machine.
- If spare parts need be replaced, order ORIGINAL spare parts from an Authorized Dealers or Retailers.

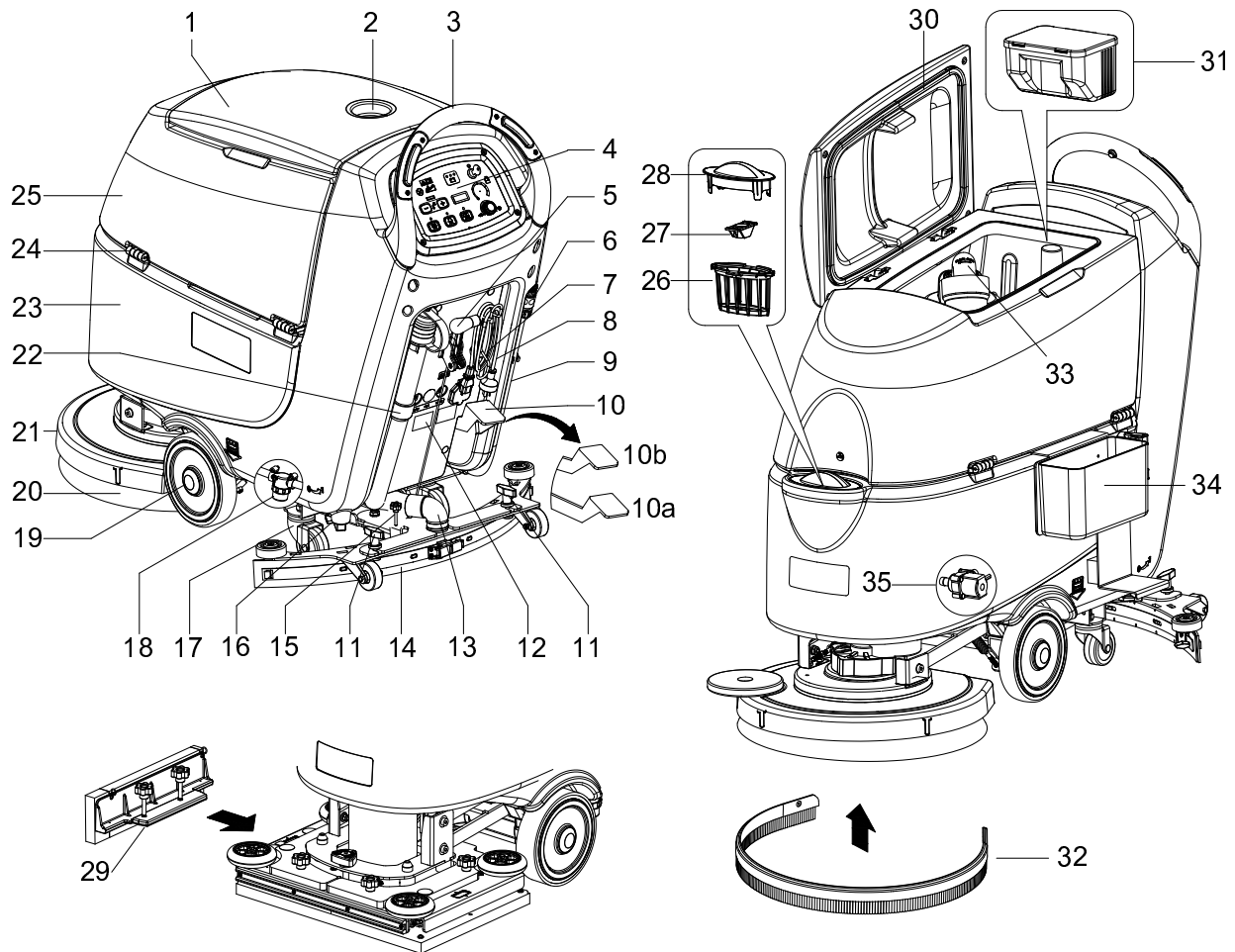
- **Return the machine to the Service Center if it doesn't work as usual or it is in condition such as damaged, placed outdoors, dropped into water.**
- **To ensure machine proper and safe operation, the scheduled maintenance shown in the relevant chapter of this Manual, must be performed by the authorized personnel or an authorized Service Center.**
- **The machine must be properly disposed of, because the presence of toxic-harmful materials (batteries, etc.), which are subject to standards that require disposal in special centers (see Scrapping chapter).**
- **This machine as a cleaning tool only, not for any other purpose use.**
- **Always keep the openings free from dust, hairs and any other foreign material which could reduce the air flow. Do not use the machine if the openings are clogged.**
- **Use the machine only where a proper lighting is provided.**
- **This machine is not intended for use by persons with reduced physical, sensory or mental capabilities, or lack of experience and knowledge, unless they have been given supervision or instruction concerning use of the machine by a person responsible for their safety.**
- **Close attention is necessary when used near children.**
- **Children should be supervised to ensure that they do not play with the machine.**
- **While using this machine, take care not to cause damage to people or objects.**

**MACHINE DESCRIPTION**

**MACHINE STRUCTURE (as shown in Figure 1)**

- |  |                               |
|--|-------------------------------|
| 1. Recovery tank lid                                   | 20. Brush/pad-holder          |
| 2. Can holder  | 21. Brush/pad-holder deck     |
| 3. Handlebar   | 22. Recovery water drain hose |
| 4. Control panel                                       | 23. Solution tank             |
| 5. Squeegee lifting/lowering lever                     | 24. Hinge                     |
| 6. Garden coupling                                     | 25. Recovery tank             |
| 7. Power supply cable holder                           | 26. Filter support            |
| 8. Power cable   | 27. Filler hose holder        |
| 9. Solution drain and level check hose                 | 28. Filter cover              |
| 10. Deck lifting/lowering pedal(only for disc machine) | 29. Baseboard cleaner(*)      |
| a) Pedal position when deck is lifted                  | 30. Tank cover gasket         |
| b) Pedal position when deck is lowered                 | 31. Debris collection box     |
| 11. Squeegee knobs                                     | 32. Splash guard 510mm        |
| 12. Serial number plate/technical data                 | 33. Float ball filter         |
| 13. Squeegee vacuum hose                               | 34. Mop and trash kit (*)     |
| 14. Squeegee   | 35. Solenoid valve            |
| 15. Squeegee balance adjusting knob                    |                               |
| 16. Solution/clean water tap                           |                               |
| 17. Rear steering wheels                               |                               |
| 18. Solution filter                                    |                               |
| 19. Front wheels on fixed axle (A).                    |                               |
| Driving wheels (B)                                     |                               |

(\*): Optional  
 (A): Only for disc machine without traction  
 (B): Only for disc machine with traction

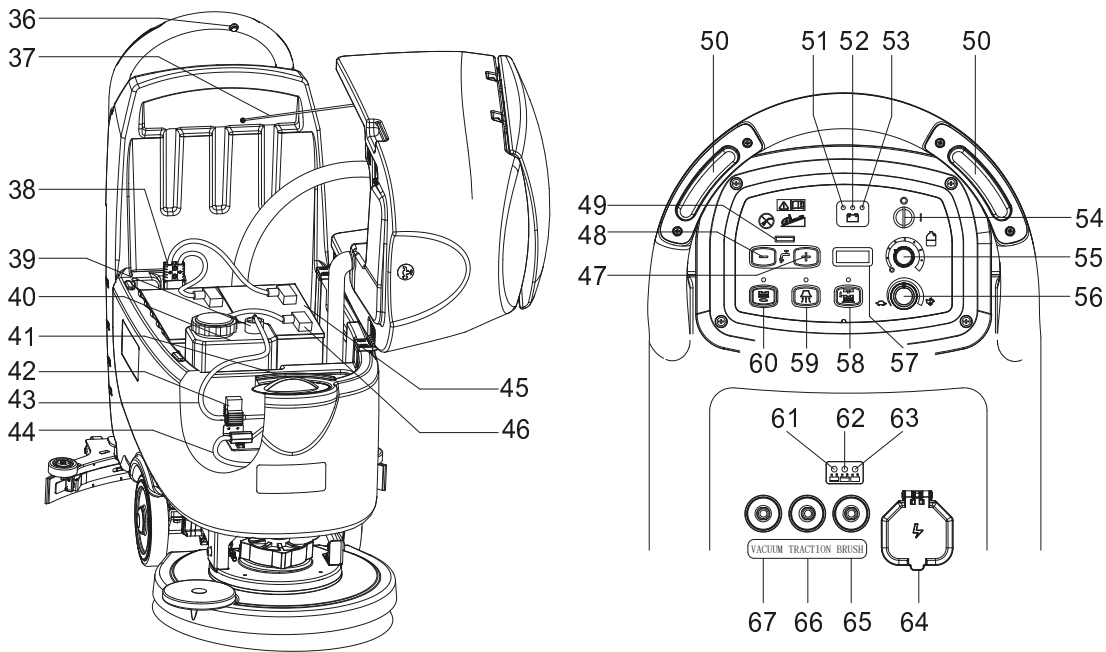


**Figure 1**

**CONTROL PANEL (as shown in Figure 2)**

- 36. Machine backward switch (B)
- 37. Tank safety cable
- 38. Battery connector (red).
- 39. Detergent tank filler plug (\*\*)
- 40. Detergent tank (\*\*)
- 41. Reference table for detergent proportioning (\*\*)
- 42. Detergent pump (\*\*)
- 43. Detergent tank - pump connecting hose (\*\*)
- 44. Detergent feed hose (\*\*)
- 45. Batteries
- 46. Battery caps
- 47. Flow increase switch
- 48. Flow decrease switch
- 49. Solution flow indicator
- 50. Safe switch
- 51. Discharged battery warning light (red)
- 52. Semi-discharged battery warning light (yellow)
- 53. Charged battery warning light (green)
- 54. Ignition key (0 - I)
- 55. Detergent flow control knob (\*\*)
- 56. Speed adjuster (B)
- 57. Hour meter
- 58. • Brush/pad-holder release switch(only for disc machine)  
•Extra pressure active(only for orbital machine)
- 59. Vacuum system switch
- 60. • Brush/pad-holder and vacuum system switch(only for disc machine)  
• Pad deck moving up/down and Brush/pad-holder and vacuum system switch(only for orbital machine)
- 61. Charging red LED
- 62. Charging yellow LED
- 63. Charging green LED
- 64. Security cover of charging jack
- 65. Overload protector of brush/pad
- 66. Overload protector of traction (B)
- 67. Overload protector of vacuum

(\*): Optional  
 (\*\*): Only for machines with Chemical Mixing System (optional)  
 (A): Only for machine without traction  
 (B): Only for machine with traction



**DISPLAY WINDOW OF CHARGER INDICATON LIGHT (as shown in Figure 2)**

1. At the beginning of charging, the red LED (61) of charger normally on. It is the first stage of charging.
2. After charging some time, the red LED (61) turns off, the yellow LED (62) turns on, this is the second stage of charging.
3. After charging finish, the yellow LED (62) off, the green LED (63) turns on to indicate that the battery is fully charged.



**NOTE**

**When charging, if the yellow LED (62) of charger is on, it may be caused by: Battery and charger does not match, battery is not connected well, or output is short-circuited.**  
**The red LED of charger flashing may be caused by charger internal short circuit.**

**TECHNICAL PARAMETERS**

MODEL	Units	CA60 24B	CA60 20B	CA60 20D	CA60 20TD
Packing dimensions (Lx W x H)	mm	1370x700x1300	1370x600x1300		
Machine height	mm	1080			
Machine length	mm	1260			
Machine width (without squeegee)	mm	650	550		
Machine weight with empty tanks (without batteries)	Kg	124	122	91	97
Gross vehicle weight (GVW)	Kg	243	241	208	214
Shipping weight	Kg	170	154	121	127
Solution tank capacity	Liter	61			
Recovery tank capacity	Liter	61			
Vacuum motor power	Watt	350			
Vacuum capacity	mm H <sub>2</sub> O	1200			
Climbing capacity (Max)	%	2%			
Front wheel diameter	mm	200			
Rear wheel diameter	mm	76			
Sound level	dB(A)	69±3			
Solution/ Flow(Max)	Liter/ Min	(0.7) (1.2) (1.7) (2.2)			
Working width	mm	610	510	530	
Squeegee width	mm	760			
Brush/pad diameter	mm	610X360	510X360	530/508	
Brush motor power	Watt	750		450	
Brush speed	Rpm	2200		150	
Brush/pad pressure(Max)	Kg	40-50		27	23
Drive motor power	Watt	250	/		150
Working speed	Km/h	0-3.2		/	0-4
Forward speed	Km/h	0-4		/	0-4
Reverse speed	Km/h	0-2		/	0-2
Handle Vibration Level(Max)	m/S <sup>2</sup>	2.5		2.5	
Voltage	V	24V			
Battery(Optional)	Ah	105/130 WET, 105/140 AGM C20			
Battery charger	V/A	24V/13A			
Battery compartment size (L x W x H)	mm	350X350X300			

## OPERATING GUIDE

**WARNING!**

On some points of the machine there are some adhesive plates indicating:

- DANGER!
- WARNING!
- CAUTION!
- CONSULTATION

While reading this Manual, the operator must pay particular attention to the symbols shown on the plates. Do not cover these plates for any reason and immediately replace them if damaged.

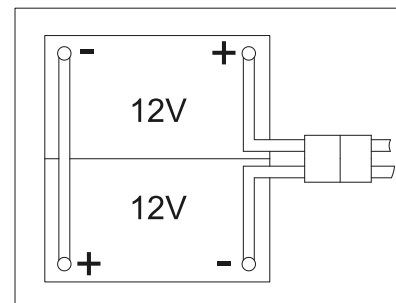
## BATTERY CHECK/SETTING ON A NEW MACHINE

**WARNING!**

The electric components of the machine can be seriously damaged if the batteries are either improperly installed or connected. The batteries must be installed by qualified personnel only. Set the function electronic board and the built-in battery charger according to the type of batteries used (WET or GEL/AGM batteries). Check the batteries for damage before installation. Disconnect the battery connector (38) and the battery charger plug (8). Handle the batteries with great care. Install the battery terminal protection caps supplied with the machine.

**NOTE**

The machine requires two 12 V batteries, connected according to the diagram (Figure. 3).



**Figure 3**

The machine can be supplied in one of the following modes:

**A) Batteries (WET or GEL/ AGM) already installed and charged**

1. Check that the batteries are connected to the machine with the connector (38).
2. Insert the ignition key (54) and turn it to "I". If the green warning light (53) turns on, the batteries are fully charged. If the yellow (52) or red warning light (51) turns on, the batteries must be charged (see the procedure in Maintenance chapter).

**B) Without batteries**

1. Buy appropriate batteries (see the Technical Data paragraph).
2. For battery choice and installation, apply to qualified battery Retailers.
3. Set the machine and the battery charger according to the type of batteries (WET or GEL/ AGM), as shown in the next paragraph.

**BATTERY INSTALLATION AND BATTERY TYPE SETTING (WET OR GEL/ AGM)**

According to the type of batteries (WET or GEL/AGM), set the machine as follows:



**NOTE**

Regarding the factory setting, learn the battery type from boot time display according to above table

1. Press both the buttons (A, Figure. 4) and (B) at the same time, Insert the ignition key (D) and turn on the power, after 0.5 second, enter battery setting mode. LED display during setting( C ),Release the buttons.
2. The mode can be shift from 0 to 5 by pressing button (B), or shift from 5 to 0 by pressing button (A). After the battery mode setting is completed, turn off the power (D) and the new setting of battery mode can be saved automatically.
3. The battery type setting is completed.

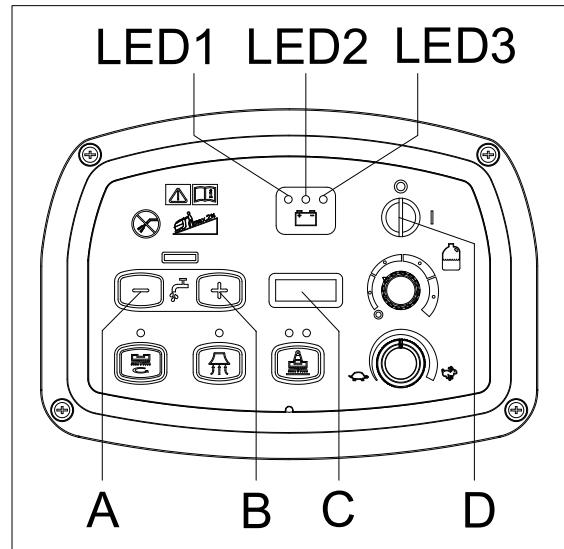


Figure 4

Mode	Battery type/Battery manufacturer	Battery charging curve	LED display during setting( C, Figure. 4)	Boot time display
0	WET	General WET curve	WET 0	LED1 blink twice
1	GEL/AGM	General GEL/AGM curve	AGM 1	LED2 blink twice
2	DISCOVER	DISCOVER	d 15 2	LED3 blink twice
3	OPTIMA	OPTIMA	OPT 3	Both LED1 and LED2 blink twice
4	EXIDE	EXIDE	EXI 4	Both LED1 and LED3 blink twice
5	FULLRIVER	FULLRIVER	FUL 5	Both LED2 and LED3 blink twice

**Battery installation**

4. Open the recovery tank cover (1) and check that the recovery tank (25) is empty; otherwise empty it with the drain hose. (22)
5. Close the recovery tank cover (1).
6. Overturn the recovery tank (25) carefully.
7. The machine is supplied with cables suitable to install 2×12 V batteries. Carefully put the batteries into the compartment, then install them correctly.
8. Route and install the battery cable as shown in (Figure3), then carefully tighten the nut on each battery terminal.
9. Place the protection cap on each terminal, then connect the battery connector (38).
10. Carefully lower the recovery tank (25).

**Battery charging**

11. Charge the batteries. (See procedures in maintenance chapter).

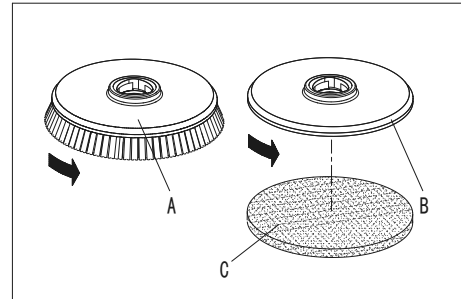
**BRUSH/PAD-HOLDER INSTALLATION AND UNINSTALLATION (only for disc machine)****NOTE**

Install either the brush (A, Figure 5) or pad-holder (B and C, Figure 5) according to the type of floor to be cleaned.

**CAUTION!**

Before installation or uninstallation of brush or pad-holder, make sure all the switches on machine are in off position and lifting up the squeegee from the floor. The operator must be equipped with suitable personnel protection devices such as gloves to reduce the risk of accidents.  
Proceed as following:

1. Insert the ignition key (54) and turn it to "O".
2. Lift the deck by pressing the pedal (10).
3. If equipped, turn the speed adjuster (56) to idle by turning it counter-clockwise.
4. Place the brushes (A, Figure. 5) or the pad-holder (B) under the deck (21).
5. Lower the deck on the brushes/pad-holders by pressing the pedal (10).
6. Turn the ignition key (54) to "I".
7. Press the Brush/pad-holder and vacuum system switch (60).
8. Press one of the safe switch (50) to engage the brush/pad-holder, then release it. If necessary, repeat the procedure until the brushes/pad-holders are engaged.

**Figure 5****WARNING!**

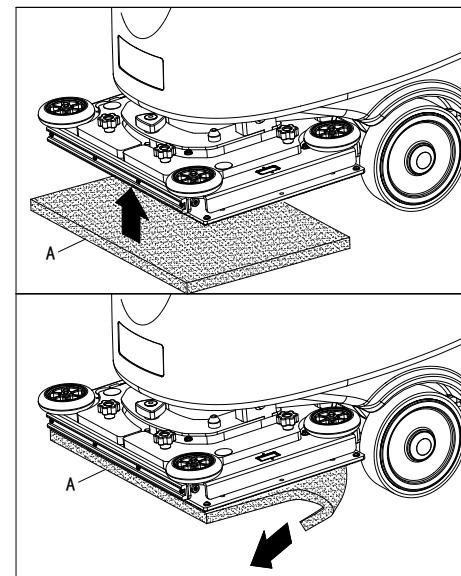
(Only for machine with traction): Turn the speed adjuster (56) counter-clockwise to drive the machine at the minimum speed. Slightly press the safe switch (50), otherwise the machine starts to move.

To engage the safe switch (50) which turns on the brush/pad-holder motor.

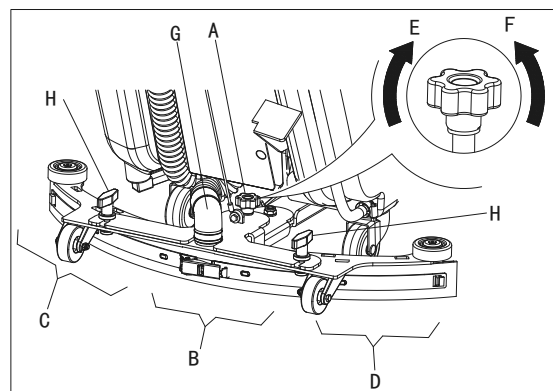
9. To remove the brush/pad-holder lift the deck by pressing the pedal (10), then press the switch (58), the brush/pad-holder will be remove.

**PAD INSTALLATION AND UNINSTALLATION (only for orbital machine)**

1. Lift the deck by pressing the switch (60) .
2. Install and uninstall the pad (A, Figure. 5.1)

**Figure 5.1****ADJUSTING THE BALANCE OF SQUEEGEE**

1. Install the squeegee and screw up the nut (H), then connect the vacuum hose (G) to the squeegee.
2. Adjust the squeegee by squeegee adjusting handle (A, Figure 6).
  - a) If there is gap between the ground and middle section of rear squeegee blade (B), adjust the knob (A) in counterclockwise direction (F) until all section of rear squeegee blade good contact with ground, the front blade touch the ground slightly.
  - b) If there is gap between the ground and both end section of rear blade(C and D), adjust the knob (A) in clockwise direction (E) until all section of rear blade good contact with the ground, the front blade touch the ground slightly.

**Figure 6**



## SOLUTION OR WASHING WATER TANK FILLING

**NOTE**

If the machine is equipped with **Chemical Mixing System (optional)** the tank must be filled with clean water, otherwise the tank can be filled with solution.

1. Open the filler neck (B, Figure.7).
2. (For machines without Chemical Mixing System) Use the front filler neck (B) and the rear filler neck (H) to fill the tank (D) with a solution suitable for the work to be performed. Refill to the reference mark "1" of the level check hose (H). Always follow the dilution instructions on the label of the chemical product used to prepare the solution. The solution temperature must not exceed +104°F (+40°C).

**WARNING!**

Use only **low-foam and non-flammable** detergents, intended for automatic scrubber applications.

3. (For machines with Chemical Mixing System) Fill the tank (D) with clean water by using the filler neck (B) and the rear filler neck (H). Refill to the reference mark "1" of the level check hose (H). The water temperature must not exceed +104°F (+40°C).

**DETERGENT TANK FILLING (FOR MACHINES WITH CHEMICAL MIXING SYSTEM)**

1. Open the cover (E) and check that the recovery tank (F) is empty, otherwise empty it with the drain hose (G).
2. Carefully overturn the recovery tank (A, Figure. 8).
3. Open the cap (B).
4. Replace or fill the jug (C) with any standard gallon container of detergent suitable for the work to be performed (highly concentrated detergents). Do not fill the detergent tank completely, leave a few centimeters from the edge.

**WARNING!**

Use only **low-foam and non-flammable** detergents, intended for automatic scrubber applications.

**NOTE**

To install a new jug container, determine the cap size and if it is the smaller cap, remove the reducing adapter from the hose cap (B). Insert the suction tube into the jug (C). Pushdown firmly on the cap (B) and twist at the same time to put the cap back onto the jug (C). In case of new system, system emptied for cleaning, etc., wait for the hoses to fill up, before starting the Chemical Mixing System.

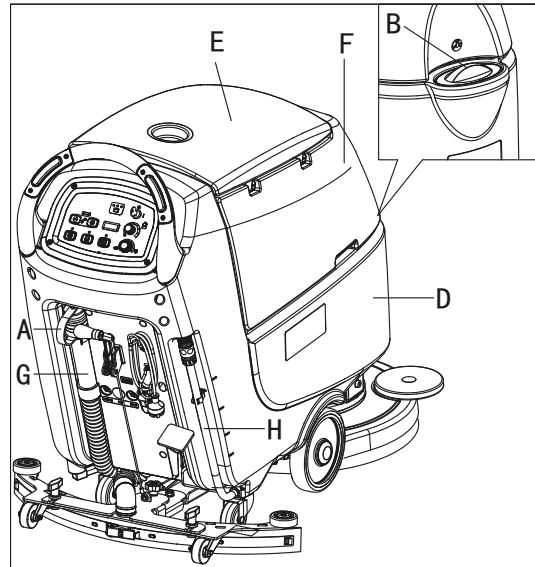


Figure 7

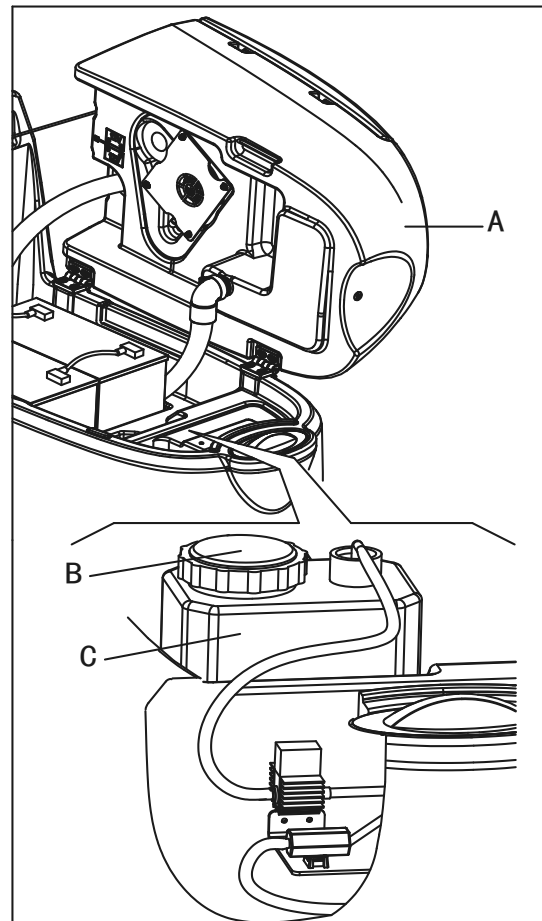


Figure 8

**MACHINE START AND STOP****Starting the machine**

1. Prepare the machine as shown in the previous paragraph.
2. Insert the ignition key (A, Figure. 9) and turn it to "I". Check that the green warning light (B) turns on (charged battery). If the yellow (C) or red warning light (D) turns on, turn the ignition key back to "0" and charge the batteries (see the procedure in Maintenance chapter).
3. Drive the machine to the working area:
  - By pushing it with the hands on the handlebar (E) (only for machine without traction).
  - By pushing it with the hands on the handlebar (E) and pressing the switch (F) to move forward, or pressing the switch (F) together with the switch (G) to move backward (only for machine with traction). The forward speed can be adjusted with the adjuster (H).
4. Lower the squeegee (I) with the lever (J).
5. Lower the brush/pad-holder deck (K) by lifting the pedal (L). (only for disc machine)
6. Press the brush/pad-holder switch (M) and the vacuum system switch (N).
7. Press the washing water flow control switches (O) as necessary, depending on the type of cleaning to be performed.
8. Start cleaning:
  - (only for machine without traction) by pushing the machine with the hands on the handlebar (E) and pressing the switch (F).
  - (only for machine with traction) by pushing the machine with the hands on the handlebar (E) and by pressing the switch (F). If necessary, the forward speed can be adjusted with the adjuster (H).

**NOTE**

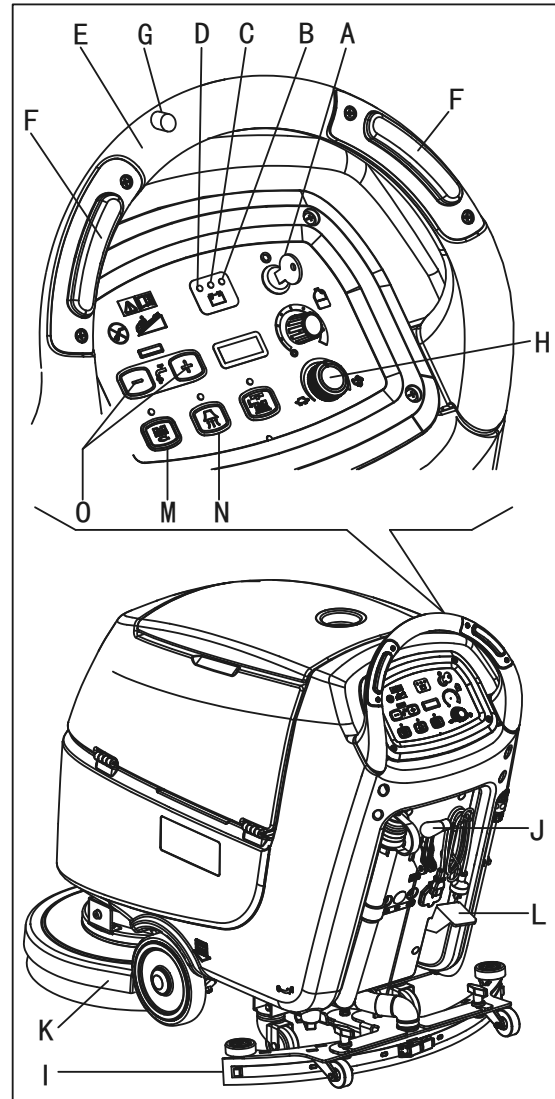
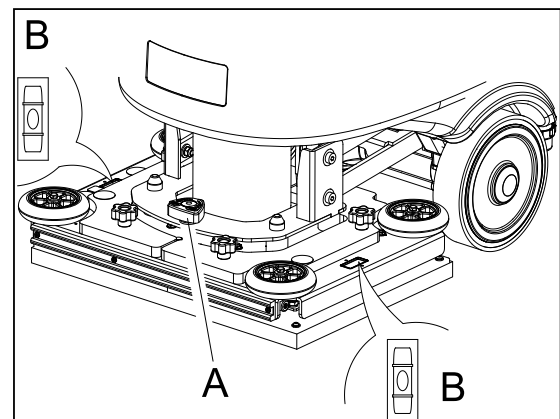
To move the machine forward, press either the left or right switch (F) or both.

**Stopping the machine**

9. Stop the machine by using the handlebar (E) (only for machine without traction). Stop the machine by releasing the switches (F) (only for machine with traction).
10. Stop the brushes and the vacuum system by pressing the switch (M). The vacuum system stops after a few seconds.
11. Lift the brush/pad-holder deck (K) by pressing the pedal (L). (only for disc machine)
12. Lift the squeegee (I) with the lever (J).
13. Turn the ignition key (A) to "0".
14. Make sure that the machine cannot move independently.

**ADJUSTING THE LEVEL OF ORBITAL DECK (only for orbital machine)**

1. Lower the brush/pad-holder deck by press the brush/pad-holder switch (M, Figure. 9)
2. Adjust the level of orbital deck by adjusting handle (A, Figure 9.1) . made the bubble in the middle (B, Figure 9.1).

**Figure 9****Figure 9.1**

**MACHINE OPERATION (SCRUBBERING AND DRYING)**

1. Start the machine as shown in previous paragraphs.
2. While keeping both hands on the handlebar press the safety switch (F, Figure. 9), then maneuver the machine and start scrubbing/drying the floor.
3. If necessary, stop the machine then adjust squeegee according to section “Adjusting balance of squeegee”.

**NOTE**

For correct scrubbing/drying of floors at the sides of the walls, Suggests to go near the walls with the right side of the machine (A and B, Figure. 10) as shown in the figure.

**CAUTION!**

To avoid any damage to the floor surface, turn off the brushes/pad-holders when the machine stops in one place.

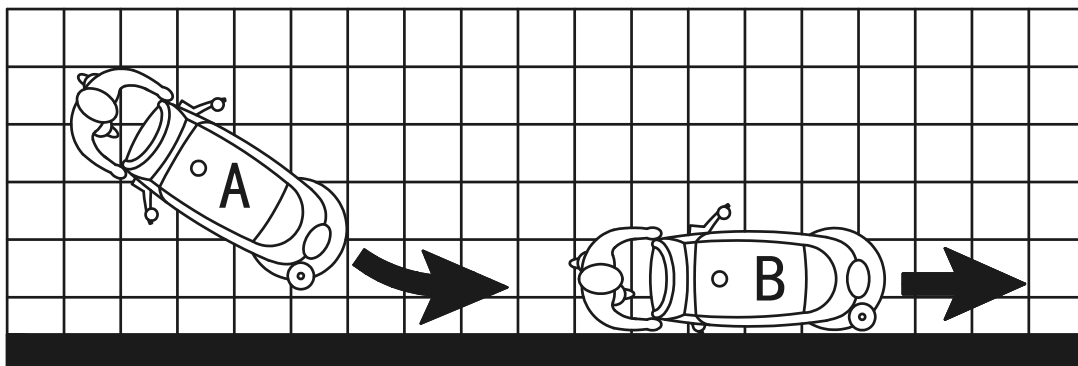


Figure 10

**Detergent flow adjustment  
(For machines with Chemical Mixing System)**

1. Turn the knob (A, Figure. 11) clockwise or counter-clockwise to increase or decrease the detergent concentration.
2. The average detergent concentration values, matching the 4 colored areas of the scale (B), are shown in the figure.
3. To set the detergent quantity to zero, fully turn the knob (A) counter-clockwise.

**NOTE**

The detergent concentration is kept constant even if the washing water flow is changed with the switches (C) or (D).

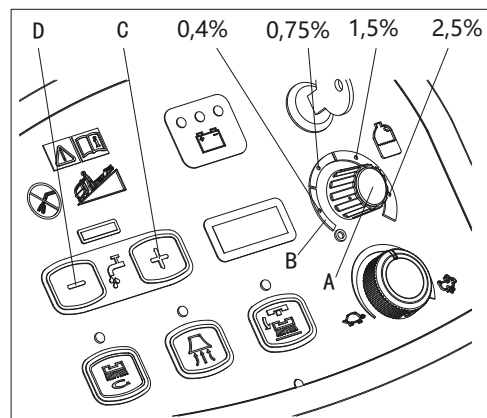


Figure 11

### Battery discharge during operation

Until the green warning light (A, Figure. 12) stays on, the batteries allow the machine to work normally. When the green warning light (A) turns off, and the yellow warning light (B) turns on, it is advisable to charge the batteries, because the remaining charge will last for a few minutes (depending on battery characteristics and work to be performed). When the red warning light (C) turns on, batteries are fully discharged. After a few seconds, the brush/pad-holder is automatically tuned off, while (only for machine with traction) the drive system stay on, to finish drying the floor and drive the machine to the appointed recharging area.



**CAUTION!**  
Do not use the machine with discharged batteries, to avoid damaging the batteries and reducing the battery life.

### TANK EMPTYING

An automatic float shut-off system (A, Figure. 13) blocks the vacuum system when the recovery water tank (B) is full. The vacuum system deactivation is signaled by a sudden increase in the vacuum system motor noise frequency, also the floor has not dried.



**CAUTION!**  
If the vacuum system turns off accidentally (for example, when the float is activated because of a sudden machine movement), to resume the operation: turn off the vacuum system by pressing the switch (D, Figure. 12), then open the cover (C, Figure. 13) and check that the float inside the grid (A) has gone down to the water level. Then close the cover (C) and turn on the vacuum system by pressing the switch (D, Figure. 12).

When the recovery water tank (B, Figure. 13) is full, empty it according to the following procedure.

### Recovery water tank emptying

1. Stop the machine.
2. Lift the brush/pad-holder deck (E, Figure.12) by pressing the pedal (F). (only for disc machine)
3. Lift the squeegee (G) with the lever (H).
4. Drive the machine to the appointed disposal area.
5. Empty the recovery water tank with the hose (I). Then, rinse the tank (B, Figure. 13) with clean water.

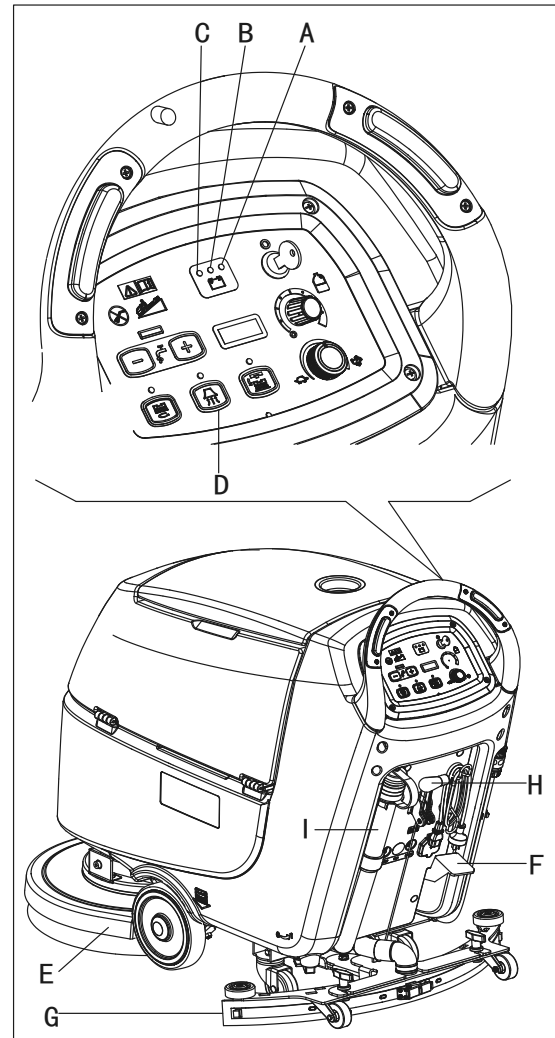


Figure 12

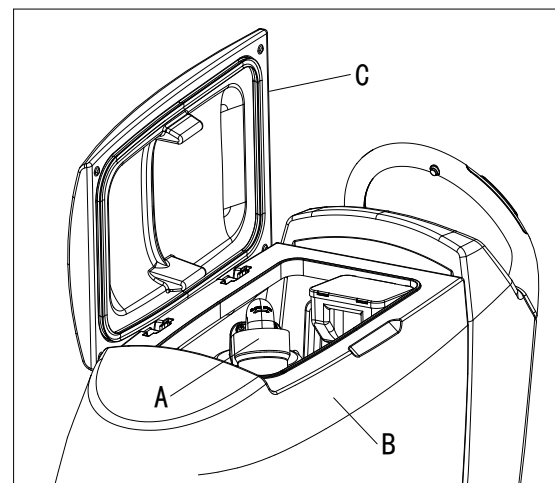


Figure 13

**CAUTION!**

When draining the wastewater, the vacuum tube for waste must be folded (A, Figure. 14) and lowered to a lower position (B, Figure. 14), and then open the lid of the vacuum tube for waste to drain the water. Do not make the outlet of the vacuum tube for waste face upward to drain the water vertically. This is to avoid wastewater spilling onto the operator.

6. Perform steps 1 to 4.

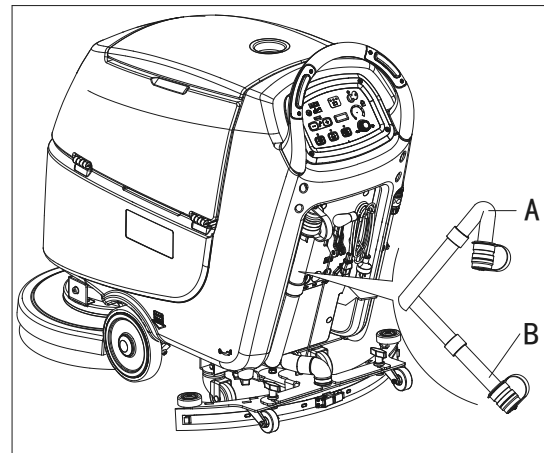


Figure 14

**Solution/clean water tank emptying**

7. Empty the solution tank with the hose (A, Figure. 15). After working, rinse the tank with clean water.

**AFTER USING THE MACHINE**

After working, before leaving the machine:

1. Remove the brushes/pad-holders.
2. Empty the tanks (B and C, Figure. 15) as shown in the previous paragraph.
3. Perform the daily maintenance procedures (see the Maintenance chapter).
4. Store the machine in a clean and dry place, with the brushes/pad-holders and the squeegee lifted or removed.

**MACHINE LONG INACTIVITY**

If the machine is not going to be used for more than 30 days, proceed as follows:

1. Perform the procedures shown in After Using the machine paragraph.
2. Disconnect the battery connector (38).

**FIRST PERIOD OF USE**

After the first 8 hours, check the machine fastening and connecting parts for proper tightening and check the visible parts for wear and leakage.

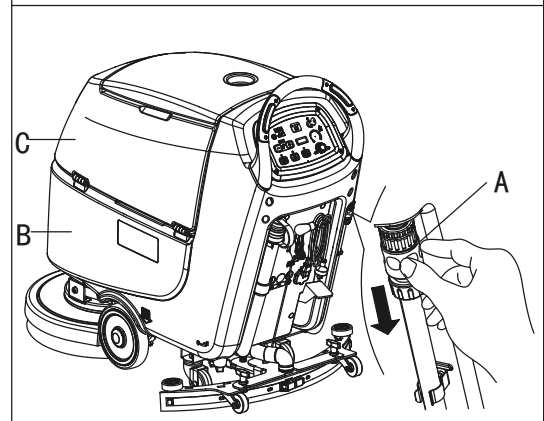
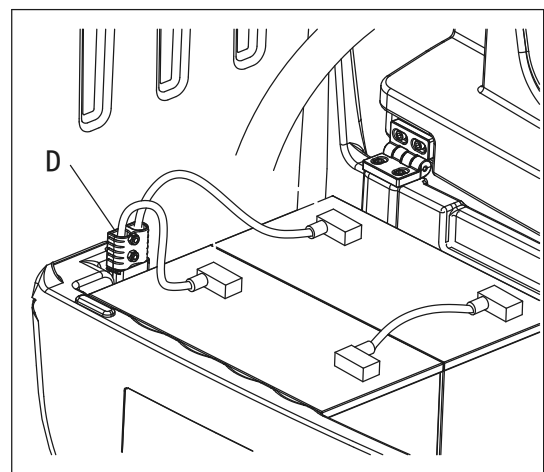


Figure 15

## MAINTENANCE

**WARNING!**

Maintenance procedures must be performed after the machine is turned off and the battery charger cable is disconnected. In addition, carefully read the safety chapters in the manual.

All scheduled or extraordinary maintenance procedures must be performed by qualified personnel or an authorized Service Center. This manual only describes the general and common maintenance procedures.

For other maintenance procedures that are not in below maintenance schedule table, please refer to the Service Manual that can be consulted at any our company Service Center.

## SCHEDULED MAINTENANCE TABLE

**CAUTION!**

The procedure marked with (1) must be performed when the machine is used after 9 hours for the first time. The procedure marked with (2) must be done by Service Center that qualified by our company.

Procedure	Daily, after each use	Weekly	semiannually	Yearly
Battery charging				
Squeegee cleaning				
Brush/Pad-holder cleaning				
Tank cleaning				
Tank sealing strip inspection				
Float ball filter cleaning				
Pad cleaning				
Squeegee blade check and replacement				
Cleaning water filter cleaning				
Suction filter cleaning				
WET battery fluid level check				
Screw and nut tightness inspection			(1)	
Lower Isolator			(2)	
Brush/Pad-holder carbon brush check or replacement				(2)
Suction motor carbon brush check or replacement				(2)
Drive system motor carbon brush check or replacement (only for machine with traction)				(2)

**BATTERY CHARGING****NOTE**

Charge the batteries when the yellow (G, Figure. 16) or red warning light (H) turns on, or when finishing cleaning.

**CAUTION!**

Keeping the batteries charged make their life last longer.

**CAUTION!**

When the batteries are discharged, charge them as soon as possible, as that condition makes their life shorter. Check for battery charge at least once a week.

**WARNING!**

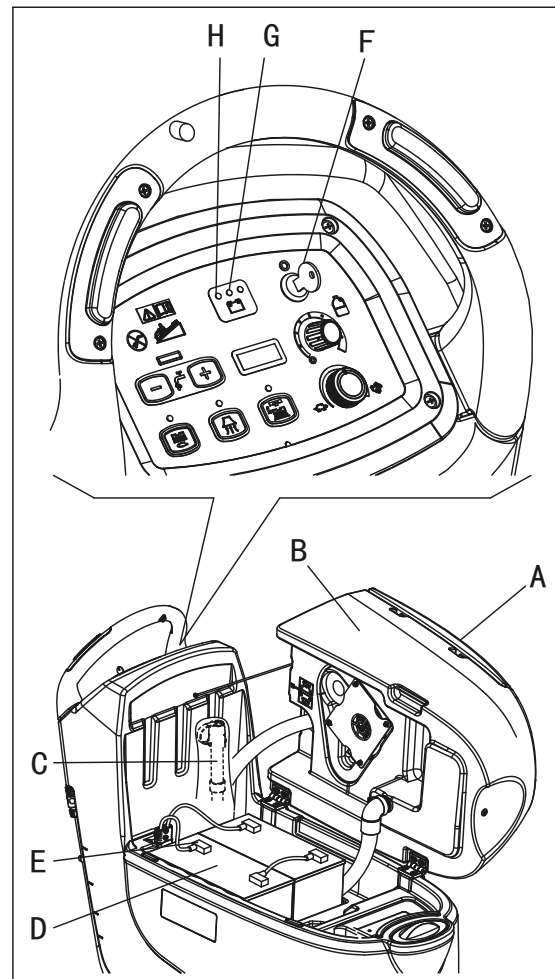
WET battery charging produces highly explosive hydrogen gas. Charge the batteries in well-ventilated areas and away from naked flames. Do not smoke while charging the batteries. Keep the tank open while charging the batteries.

**WARNING!**

Pay careful attention when charging the batteries as there may be battery fluid leakages. The battery fluid is corrosive. If it comes in contact with skin or eyes, rinse thoroughly with water and consult a physician.

**Preliminary procedures**

1. Open the cover (A, Figure. 16) and check that the recovery water tank (B) is empty, otherwise empty it with the drain hose (C).
2. Drive the machine on a level floor.
3. Turn the ignition key (F) to "0".
4. Carefully lift the tank (B).
5. For WET batteries only:
  - Check the level of electrolyte inside the batteries (D); if necessary, top up through the caps (E).
  - Leave all the battery caps (E) open for next charging.
  - If necessary, clean the upper surface of the batteries (D).
6. Charge the batteries according to the following procedure.

**Figure 16**

### Battery charging with battery charger installed on the machine

7. Connect the battery charger cable (A, Figure. 17) to the electrical mains (G) (the electrical mains voltage and frequency must be compatible with the battery charger values shown on the machine serial number plate (F)). When the battery charger is connected to the electrical mains, all machine functions are automatically cut off. If the red warning light (B) on the battery charger control panel stays on, the battery charger is charging the batteries.
8. When the green warning light (C) turns on, the battery charging is completed.
9. When the battery charging is completed, disconnect the battery charger cable (A) from the electrical mains (G) and wind it round its housing (D).
10. Carefully lower the tank.



#### NOTE

For further information about the operation of the battery charger (E, Figure. 17), see the relevant Manual.

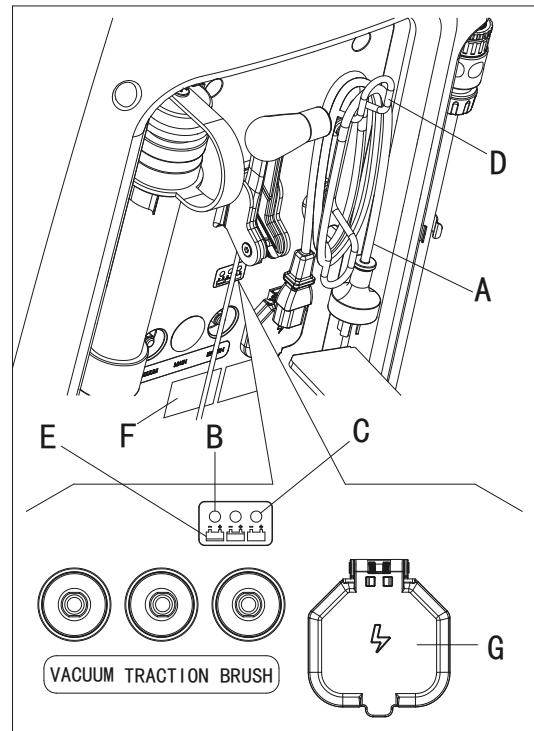


Figure 17

### BRUSH/PAD CLEANING



#### CAUTION!

It is advisable to use protective gloves when cleaning the brush/pad because there may be sharp debris.

1. Remove the brush/pad from the machine, as shown in the Use chapter.
2. Clean and wash the brush/pad with water and detergent.
3. Check that the brushes/pads are in working condition and not excessively worn; if necessary replace them.

### SOLUTION FILTER CLEANING

1. Drive the machine on a level floor.
2. Ensure that the machine is off and the ignition key (54) has been removed.
3. Close the solution tap (A, Figure. 18) under the machine, behind the right rear wheel. The tap (A) is closed when it is on the position (B) and it is open when it is on the position (C).
4. Remove the transparent cover (D), then remove the filter strainer (E). Clean and install them on the support (F).



#### NOTE

The filter strainer (E) must be correctly positioned on the housing (H) of the support (F).

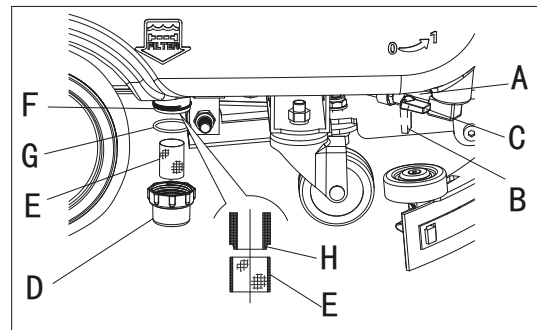


Figure 18

5. Open the tap (A).



## SQUEEGEE CLEANING

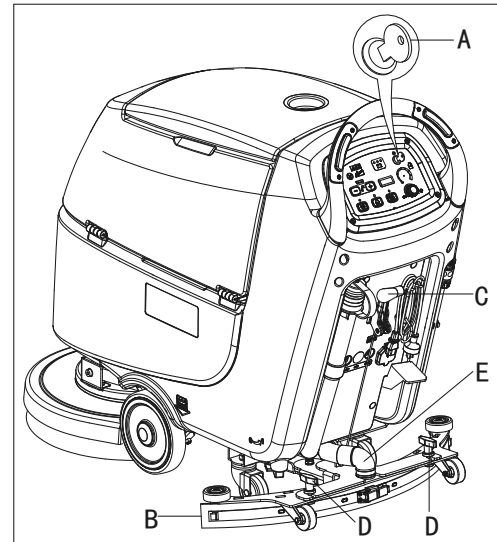
**NOTE**

The squeegee must be clean and its blades must be in good conditions in order to get a good drying

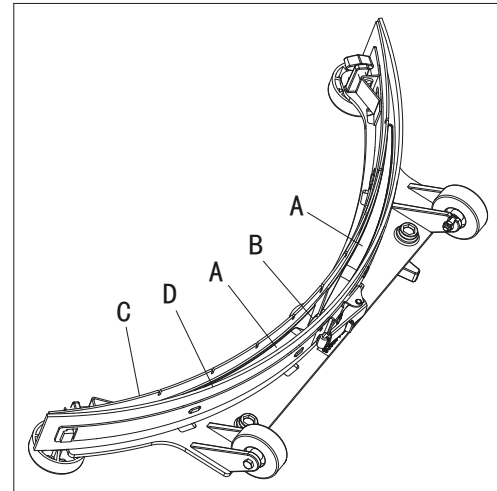
**CAUTION!**

It is advisable to wear protective gloves when cleaning the squeegee because there may be sharp debris.

1. Drive the machine on a level floor.
2. Turn the ignition key (A, Figure. 19) to "0".
3. Lower the squeegee (B) with the lever (C).
4. Loosen the knobs (D) and remove the squeegee (B).
5. Disconnect the vacuum hose (E) from the squeegee.
6. Clean the steel or the aluminum squeegee (Figure. 20). Clean the compartments (A) and the hole (B) especially. Check the front blade (C) and the rear blade (D) for integrity, cuts and tears; if necessary replace them (see the procedure in the following paragraph).
7. Assemble the squeegee in the reverse order of disassembly.



**Figure 19**



**Figure 20**

## SQUEEGEE BLADE CHECK AND REPLACEMENT

1. Clean the steel or the aluminum squeegee, as shown in the previous paragraph.
2. Check that the edges (E, Figure. 22) of the front blade (C) and the edges (F) of the rear blade (D) lay down on the same level, along their length; if necessary adjust their height according to the following procedure:
  - Remove the tie rod (G), disengage the fasteners (M) and adjust the rear blade (D), then engage the fasteners (M) and install the tie rod (G).
  - Loosen the knobs (I) and adjust the front blade (C), then tighten the knobs.
3. Check the front blade (C) and rear blade (D) for wear, cuts and tears; if necessary replace them according to the following procedure. Check that the front corner (J) of the rear blade (D) is not worn; if necessary, overturn the blade to replace the worn corner with an integral one. If the other corners are worn too, replace the blade according to the following procedure:
  - Remove the tie rod (G), disengage the fasteners (M) and remove the retaining strip (K), then replace/overturn the rear blade (D). Assemble the blade in the reverse order of disassembly.
  - Unscrew the knobs (I) and remove the retaining strip (L), then replace the front blade (C). Assemble the blade in the reverse order of disassembly. After the blade replacement (or overturning), adjust the height as shown in the previous step.
4. Connect the vacuum hose (A, Figure. 21) to the squeegee.
5. Install the squeegee (B) and screw down the knobs (C).
6. If necessary, adjust the squeegee balance adjusting knob (D).

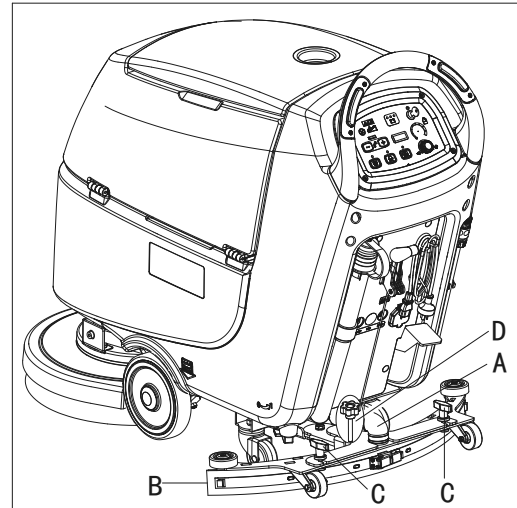


Figure 21

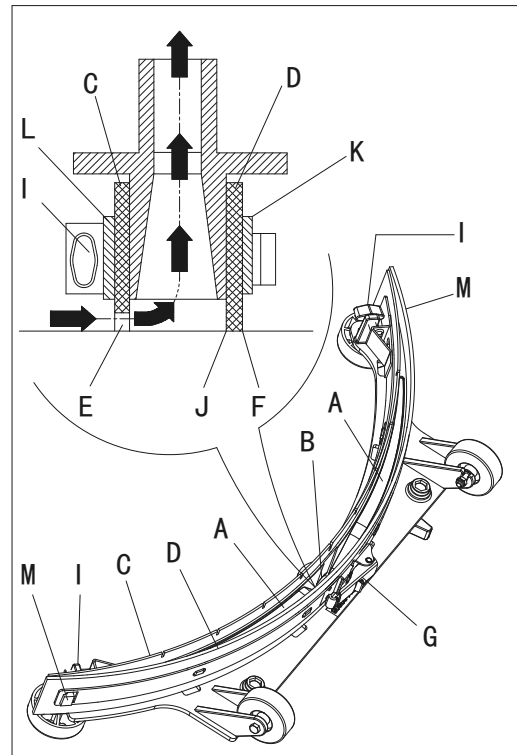


Figure 22

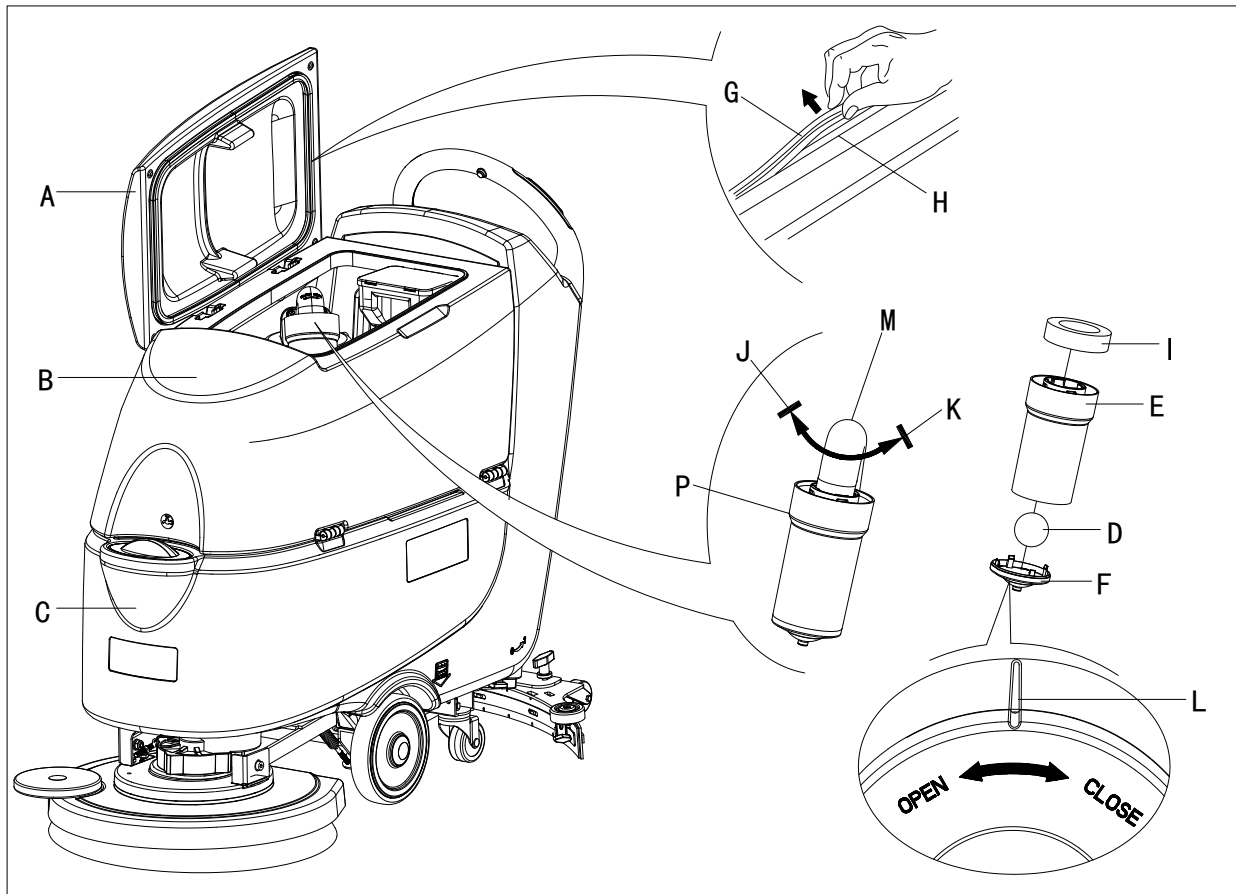
**TANK AND VACUUM GRID WITH FLOAT CLEANING, AND COVER GASKET CHECK**

1. Drive the machine on a level floor.
2. Ensure that the machine is off and the ignition key (54) has been removed.
3. Turn the recovery tank lid (A, Figure23) 90 degree position where it can be took off from the tank, and then take down the float ball filter (P) from the tank.
4. Clean the recovery tank lid (A), recovery tank (B), clean water tank(C) and the float ball filter support frame (E). Empty the recovery tank with the drain hose (22).
5. .If necessary, follow the symbols “OPEN” and “CLOSE” as shown in (Figure23) to open the bottom cover (F) of float ball filter and then clean the float ball (D), filter support frame (E) and filter sponge (I). After cleaning, fix the float ball (D) into the filter support frame (E) and then align the mark groove (L) of the bottom cap (F) of the float ball filter with the mark groove (L) of the float filter support frame (E).Screw the bottom cap of the float ball filter tight, and fix the filter sponge (I) onto the float filter support frame (E). Finally, connect it to the sewage suction hose (M).
6. Inspect the integrity of the tank sealing strip.

**NOTE**

Tank sealing strip (G) makes to produce the vacuum inside the tank when suction motor works. The tank must be sealed can effectively absorb the water from the ground to recovery tank.

7. Check whether the contact surface of sealing strip (G) is integrity and sealing is sufficient. If necessary, take the sealing strip of the tank out of the groove (H) and replace it. Assembly the new sealing strip as shown in (Figure23), the joint should be back in the middle area.
8. Close the recovery tank lid (A).



**Figure 23**

## DETERGENT TANK CLEANING

(For machines with Chemical Mixing System)

Clean the detergent tank (G, Figure. 24) as shown below:

1. Drive the machine on a level floor.
2. Turn the ignition key (A) to "0".
3. Open the cover (B) and check that the recovery water tank (C) is empty; if necessary empty it with the drain hose (D). Close the cover (B).
4. Carefully lift the tank (C).
5. Unscrew the plug (E) and disconnect the hose (F) from the tank (G).
6. Remove the tank.
7. Wash the tank in the appointed disposal area.
8. Install the tank (G) and connect the hose (F).
9. After draining the detergent tank, drain the Chemical Mixing System too by running the system with clean water only.

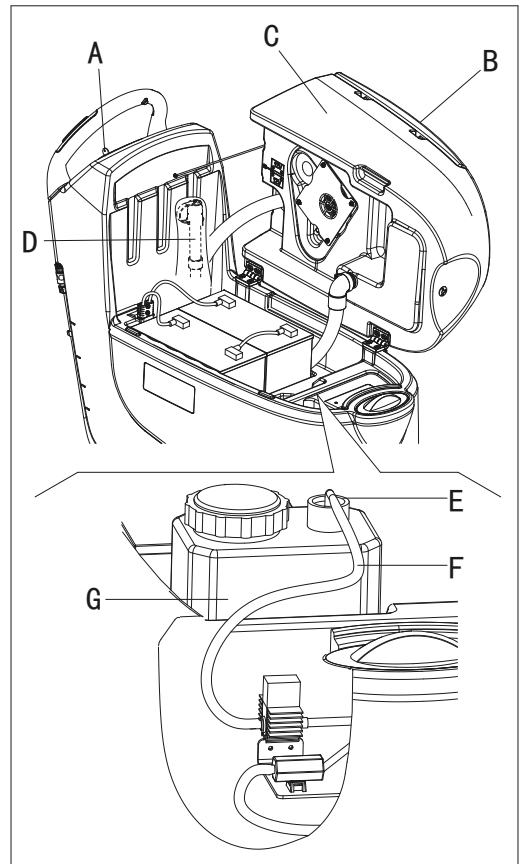


Figure 24

## MACHINE WORKING HOUR CHECK

1. Turn the ignition key (A, Figure. 25) to "I".
2. Press the switch (B), the hour meter (C) begins to work and it at the same time shows the total number of working hours (scrubbing/drying) performed by the machine.
3. Release the switch (B).
4. Turn the ignition key (A) to "0".

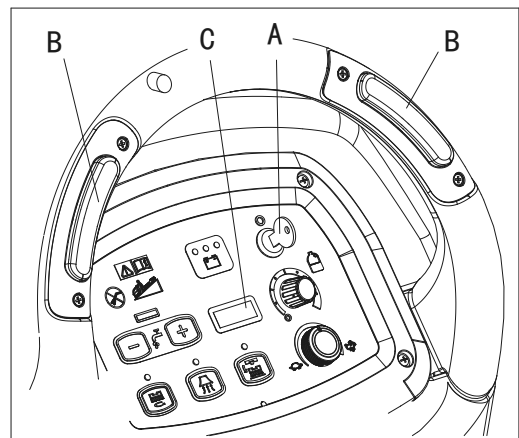
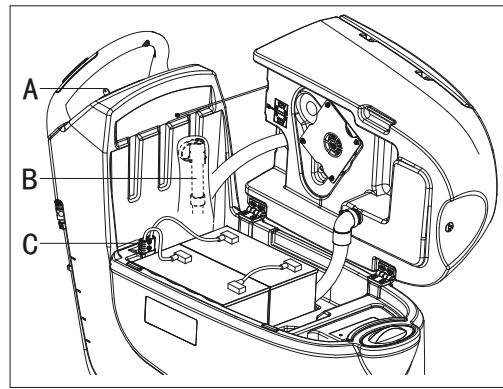


Figure 25

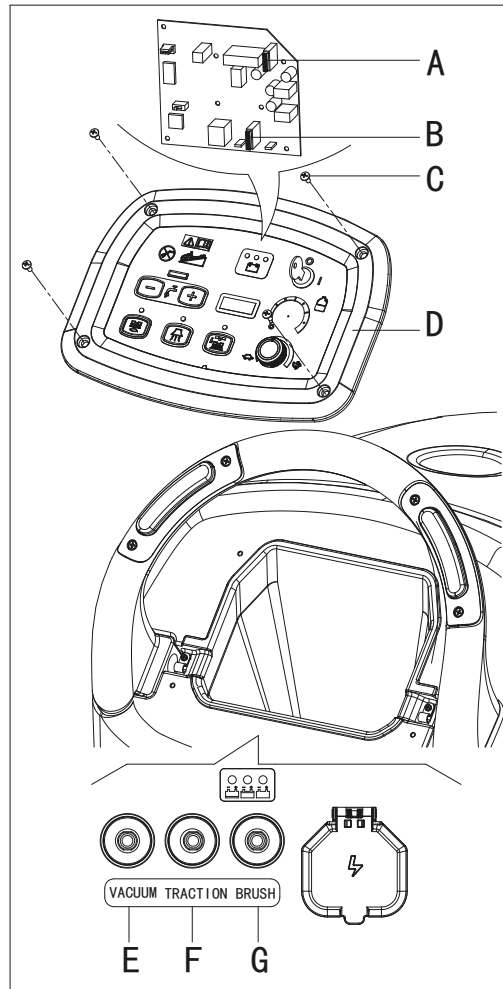
**FUSE CHECK/REPLACEMENT**

1. Turn the ignition key (A, Figure. 26) to "0".
2. Disconnect the power supply cable (C, Figure. 26) from the electrical mains.
3. Remove the screws (C .Figure27) on control panel (D), then turn over the PCB to find the fuse (A, B, Figure 27).
4. Check/replace the following fuses:
  - A) F1 fuse, low power circuit fuse:(5A)
  - B) F3 fuse, Brush release fuse: (20A) (only for disc machine)
  - B) F3 fuse, Brush fuse: (5A) (only for orbital machine)
5. Perform steps 1 to 3 in the reverse order.
6. Check/press down or replace the following breakers:
  - E) F5breaker, vacuum motor circuit breaker: (30A)
  - F) •F4 breaker, traction system circuit breaker: (12A) (\*)  
(only for disc machine)
  - F4 breaker, traction system circuit breaker: (17A) (\*)  
(only for orbital machine)
  - G) F2breaker, brush motor circuit breaker: (30A)

(\*): Only for machine with traction



**Figure 26**



**Figure 27**

## ACCESSORIES/OPTIONS

In addition to the standard components, the machine can be equipped with the following accessories/options, according to the machine specific use:

For further information concerning the above-mentioned optional accessories, contact an authorized Retailer.

### ACCESSORIES/OPTIONS

See "Parts List" section

1. WET or GEL/AGM batteries
2. Mop and trash kit
3. Pads of different materials
4. Chemical Mixing System
5. Debris collection box

## TROUBLESHOOTING

Trouble	Probable causes	Remedy
The motors do not work; no warning light turns on.	The battery connector is disconnected.	Connect the battery connector.
	The batteries are completely discharged.	Charge the batteries.
The machine does not move (Only for machine with traction)	The machine has been turned on by using the ignition key and by keeping one of the switches pressed.	Turn the ignition key to "0", then try to start the machine again without pressing the switches.
The 3 battery charge indicators are flashing simultaneously.	Brush motor overload.	Use less aggressive brushes
	Foreign materials (tangled threads, etc.) which may prevent the brush from rotating.	Clean the brush hub.
The brushes do not work, the red warning light is on.	The batteries are discharged.	Charge the batteries.
The recovery water vacuuming is insufficient.	The recovery water tank is full.	Empty the tank.
	The hose is disconnected from the squeegee.	Connect.
	The vacuum grid is clogged or the float is stuck closed.	Clean the grid or check the float.
	The squeegee is dirty or the squeegee blades are worn or damaged.	Clean and check the squeegee.
	The tank cover is not properly closed, or the gasket is damaged, or the Bend tube is clogged.	Close the cover correctly, or replace the gasket or clean the Bend tube.
The solution flow to the brushes is insufficient.	The recovery water tank is dirty.	Clean.
	The solution/clean water filter is dirty.	Clean the filter.
The squeegee leaves marks on the floor.	There are debris under the squeegee blades.	Remove the debris.
	The squeegee blades are worn, chipped or torn.	Replace the blades.
	The squeegee has not been adjusted with the knob.	Adjust.



### NOTE

**Machine with battery charger installed, cannot operate if the charger is not on board. In case of battery charger malfunction, contact an authorized Service Center.**

**For further information refer to the Service Manual, available at any Service Center.**

## SCRAPPING

Scrap the machine by the qualified waste treatment institution.

Before the machine is scrapped, please take away and segregate below subassembly that relevant laws and regulations request must be disposed in appropriate way.

- Battery
- Brush/Pad-holder
- Plastic hose and plastic parts
- Electrical and electronic components (\*)

(\*) Please contact our company service center for any destroy of electrical and electronic components.

## TABLA DE CONTENIDOS

<b>INTRODUCCIÓN</b> .....	<b>25</b>
CONTENIDO Y OBJETIVO DEL MANUAL.....	25
CÓMO GUARDAR ESTE MANUAL .....	25
DECLARACIÓN DE CONFORMIDAD .....	25
ACCESORIOS Y MANTENIMIENTO .....	25
CAMBIOS Y MEJORAS.....	25
ÁMBITO DE APLICACIÓN.....	25
DATOS DE IDENTIFICACIÓN DE LA MÁQUINA .....	25
TRANSPORTE Y DESEMBALAJE .....	26
<b>SEGURIDAD</b> .....	<b>26</b>
SÍMBOLOS VISIBLES EN LA MÁQUINA .....	26
SÍMBOLOS QUE APARECEN EN EL MANUAL DE INSTRUCCIONES PARA EL USO.....	26
INSTRUCCIONES GENERALES DE SEGURIDAD.....	27
<b>DESCRIPCIÓN DE LA MÁQUINA</b> .....	<b>29</b>
CONSTRUCCIÓN DE LA MÁQUINA .....	29
PANEL DE CONTROL.....	30
VENTANA DE VISUALIZACIÓN DEL INDICADOR LUMINOSO DEL CARGADOR .....	30
PARÁMETROS TÉCNICOS.....	31
<b>GUÍA DE FUNCIONAMIENTO</b> .....	<b>32</b>
VERIFICACIÓN/CONFIGURACIÓN DE LA BATERÍA EN UNA MÁQUINA NUEVA.....	32
INSTALACIÓN DE LA BATERÍA Y CONFIGURACIÓN DEL TIPO DE BATERÍA (HÚMEDA O DE GEL/AGM) .....	33
MONTAJE Y DESMONTAJE DEL PORTACEPILLOS/PORTA-ALMOHADILLAS .....	34
AJUSTAR EL BALANCE DE LA ESCOBILLA DE GOMA.....	34
LLENAR EL DEPÓSITO DE SOLUCIÓN O AGUA DE LAVADO .....	35
LLEVAR EL DEPÓSITO DE DETERGENTE (PARA MÁQUINAS CON SISTEMA DE MEZCLADO QUÍMICO) .....	35
PUESTA EN MARCHA Y PARADA DE LA MÁQUINA.....	36
FUNCIONAMIENTO DE LA MÁQUINA (FREGADO Y SECADO).....	37
VACIAR LOS DEPÓSITOS.....	38
DESPUÉS DE USAR LA MÁQUINA .....	39
INACTIVIDAD PROLONGADA DE LA MÁQUINA .....	39
PRIMER PERÍODO DE USO .....	39
<b>MANTENIMIENTO</b> .....	<b>40</b>
TABLA DE MANTENIMIENTO PROGRAMADO .....	40
CARGAR LA BATERÍA.....	41
LIMPIAR EL CEPILLO/ALMOHADILLA.....	42
LIMPIAR EL FILTRO DE SOLUCIÓN .....	42
LIMPIEZA DE LA ESCOBILLA DE GOMA .....	43
INSPECCIÓN Y CAMBIO DE LAS LÁMINAS DE LA ESCOBILLA DE GOMA.....	44
REJILLA DEL DEPÓSITO Y DE LA ASPIRACIÓN CON LIMPIEZA DEL FLOTADOR E INSPECCIÓN DE LA JUNTA DE LA TAPA. ....	45
LIMPIAR EL DEPÓSITO DE DETERGENTE .....	46
REGISTRO DE LAS HORAS DE FUNCIONAMIENTO DE LA MÁQUINA .....	46
INSPECCIÓN/CAMBIO DEL FUSIBLE .....	47
ACCESORIOS/OPCIONES .....	48
<b>RESOLUCIÓN DE PROBLEMAS</b> .....	<b>48</b>
<b>DESGUACE</b> .....	<b>48</b>

## INTRODUCCIÓN



### NOTA

Los números entre paréntesis hacen referencia a los componentes que se muestran en la sección Descripción de la Máquina.

## CONTENIDO Y OBJETIVO DEL MANUAL

Este Manual de Instrucciones para el uso tiene por objeto proporcionar al operador con toda la información necesaria para usar la máquina de manera adecuada y segura. Contiene información sobre los datos técnicos, seguridad, manejo, almacenamiento, mantenimiento, piezas de repuesto y desecho.

Antes de efectuar cualquier procedimiento con la máquina, los operadores y técnicos calificados deben leer este Manual atentamente. Póngase en contacto con uno de nuestros centros de servicio en caso de cualquier duda acerca de este manual o si se necesita más información.

Los operadores no deben realizar los procedimientos que están a cargo de los técnicos calificados. Nuestra empresa no se responsabilizará por daños provenientes del incumplimiento de esta prohibición.

## CÓMO GUARDAR ESTE MANUAL

El Manual debe mantenerse cerca de la máquina, en el interior de una funda adecuada, lejos de líquidos y otras sustancias que puedan ocasionar daños en la misma.

## DECLARACIÓN DE CONFORMIDAD

La Declaración de conformidad se suministra con la máquina y certifica la conformidad de la máquina con la ley vigente.



### NOTA

Las copias de la declaración de conformidad original se proporcionan junto con la documentación de la máquina.

## ACCESORIOS Y MANTENIMIENTO

Todos los procedimientos de operación, mantenimiento y reparación necesarios deben ser realizados por personal calificado o por los centros de servicio designados de nuestra empresa. SOLO se permite el uso de accesorios y piezas de repuesto originales.

Póngase en contacto con el servicio de atención al cliente de nuestra empresa por cualquier servicio o compra de accesorios o piezas de repuesto según necesario.

## CAMBIOS Y MEJORAS

Estamos comprometidos con la mejora continua de nuestros productos, por lo que la compañía se reserva el derecho de aportar cambios y mejoras al producto sin aviso adicional.

## ÁMBITO DE APLICACIÓN

La fregadora está destinada al uso comercial e industrial. Es apropiada para la limpieza de suelos duros y lisos, cuando es operada por personal calificado en las circunstancias de seguridad. No es apta para el uso al aire libre o para la limpieza de alfombras o suelos ásperos.

## DATOS DE IDENTIFICACIÓN DE LA MÁQUINA

El número de serie y el modelo de la máquina aparecen marcados en la etiqueta de serie.

Esta información es útil. Utilice la siguiente tabla para anotar los datos de identificación de la máquina a la hora de comprar piezas de repuesto para la máquina.

MODELO DE LA MÁQUINA.....
NÚMERO DE SERIE DE LA MÁQUINA.....



**TRANSPORTE Y DESEMBALAJE**

Cuando el transportista entrega la máquina, asegúrese de que el embalaje y la máquina se encuentran enteros y sin daños. En caso de cualquier daño, avise el transportista sobre el daño y, antes de aceptar las mercancías, resérvese el derecho a ser indemnizado por el daño.

Al desembalar la máquina siga estrictamente las instrucciones en el embalaje.

Compruebe el paquete y asegúrese de que los siguientes artículos están incluidos:

1. Documentos técnicos, incluyendo la Guía de Inicio Rápido, el Disco de las Instrucciones para el Uso y el manual del cargador de a bordo si el producto está equipado con un cargador de a bordo.
2. Cable del cargador de a bordo si este se proporciona con el producto.
3. Dos fusibles, el fusible del circuito de baja tensión (5A) y el Fusible de liberación del cepillo (20A).

**SEGURIDAD**

Los siguientes símbolos indican situaciones potencialmente peligrosas. Siempre lea atentamente esta información y tome todas las precauciones necesarias para salvaguardar a las personas y las propiedades.

**SÍMBOLOS VISIBLES EN LA MÁQUINA**

**¡ADVERTENCIA!**

Lea detenidamente todas las instrucciones antes de realizar cualquier operación en la máquina.



**¡ADVERTENCIA!**

No lave la máquina con chorros directos o agua a presión.



**¡ADVERTENCIA!**

No utilice la máquina en pendientes con un grado de inclinación superior al que se define en la especificación.

**SÍMBOLOS QUE APARECEN EN EL MANUAL DE INSTRUCCIONES PARA EL USO**

**¡PELIGRO!**

Indica una situación peligrosa con riesgo de muerte para el operador.



**¡ADVERTENCIA!**

Indica un riesgo potencial de lesiones a las personas.



**¡PRECAUCIÓN!**

Indica una advertencia o una observación relacionada con funciones importantes o útiles. Preste atención a los párrafos marcados con este símbolo.



**NOTA**

Indica una observación relacionada con funciones importantes o útiles.



**CONSULTA**

Indica la necesidad de consultar el manual de instrucciones de uso antes de realizar cualquier procedimiento.

## INSTRUCCIONES GENERALES DE SEGURIDAD

Advertencias y precauciones específicas para informar acerca de los posibles daños a las personas y a la máquina se muestran a continuación.



### ¡PELIGRO!

- Esta máquina debe ser operado por personal capacitado y autorizado de acuerdo con las directrices del manual.
- Antes de realizar cualquier procedimiento de limpieza, mantenimiento, reparación o sustitución, lea todas las instrucciones con cuidado, asegúrese de apagar la máquina y desconectar el conector de la batería.
- No utilice la máquina cerca de polvos, líquidos o vapores tóxicos, peligrosos, inflamables y/o explosivos. Esta máquina no es adecuada para la recogida de polvos peligrosos.
- No use joyas cuando trabaja cerca de componentes eléctricos.
- No opere debajo de la máquina levantada sin apoyarla con soportes de seguridad.
- Cuando se usan baterías de plomo (WET), en condiciones de uso normales estas pueden emitir gases inflamables por lo que hay que mantener las chispas, llamas, materiales humeantes y radiantes, objetos iluminadores y ardientes lejos de las baterías.
- Durante la carga las baterías de plomo (WET) pueden emitir gas hidrógeno que es explosivo. Asegúrese de que el entorno de la carga está bien ventilado y lejos de llamas descubiertas.



### ¡ADVERTENCIA!

- Revise cuidadosamente la máquina antes de cada uso. Asegúrese de que todos los componentes se encuentran montados seguramente antes de su uso. En el caso contrario podrían producirse daños a las personas y a las propiedades.
- Antes de utilizar el cargador de baterías, asegúrese de que los valores de frecuencia y voltaje indicados en la etiqueta del número de serie de la máquina coinciden con los de la red eléctrica.
- Nunca mueva la máquina tirando del cable del cargador de la batería. No pase el cable a través de puertas cerradas o enrollarse en bordes o esquinas afiladas. No conduzca la máquina sobre el cable del cargador de la batería. Mantenga el cable del cargador de la batería lejos de superficies calientes. No cargue las baterías si el cable o el enchufe del cargador de la batería están dañados.
- Para reducir el riesgo de incendio, descargas eléctricas o lesiones, asegúrese de que la máquina está apagada antes de salir.
- Utilice o guarde la máquina en interiores en condiciones secas, no está permitido usarla al aire libre.
- La temperatura tanto de almacenamiento como de funcionamiento de la máquina debe ser entre 0 °C y +40 °C, la humedad del aire debe oscilar entre 30% - 95%.
- No utilice la máquina en pendientes con un grado de inclinación superior al que indica la especificación.
- Durante el uso y manipulación de detergentes de limpieza de suelos, siga las instrucciones en las etiquetas de las botellas de detergente y use guantes y protección adecuada.
- Utilice cepillos y almohadillas suministrados con la máquina o definidos en el manual. El uso de otros cepillos o almohadillas podría reducir la seguridad.
- En caso de mal funcionamiento de la máquina, asegúrese de que la causa no es la falta de mantenimiento. Si hace falta, solicite la asistencia del personal autorizado o se un Centro de Servicio autorizado.

- Tome todas las medidas de precaución para evitar que el cabello, joyas o ropa suelta queden atrapados entre las partes móviles de la máquina.
- No utilice la máquina en áreas excesivamente sucias.  
No lave la máquina con chorros directos o presurizados de agua, o con sustancias corrosivas.
- No choque contra estanterías o andamios, sobre todo cuando existe el riesgo de caída de objetos.
- No se apoye recipientes de líquido en la máquina, utilice el posavasos correspondiente.
- Para evitar daños en el suelo, no permita que el cepillo/almohadilla operar mientras la máquina está parada.
- En caso de incendio, use un extintor de polvo seco. No utilice extintores líquidos.
- No retire o modifique las pegatinas de la máquina.
- No manipule las protecciones de seguridad de la máquina y siga las instrucciones de mantenimiento ordinarias estrictamente.
- Preste atención durante el transporte de la máquina cuando la temperatura está por debajo del punto de congelación. El agua en el tanque de recuperación o en los tubos podría congelarse y dañar la máquina.
- Si se tienen que cambiar algunas piezas, compre piezas de repuesto **ORIGINALES** de los Distribuidores o Minoristas Autorizados.
- Lleve la máquina al Centro de Servicio si no funciona como de costumbre o está en condiciones de haber sido dañada, dejada al aire libre, caída al agua.
- Para garantizar el funcionamiento correcto y seguro de la máquina, el mantenimiento programado que se muestra en el capítulo correspondiente de este Manual, debe ser realizado por el personal autorizado o un Centro de Servicio autorizado.
- La máquina debe desecharse de forma adecuada, debido a la presencia de materiales tóxicos dañinos (baterías, etc.), que están sujetos a las normas que requieren la eliminación en centros especiales (ver capítulo Desguace).
- Esta máquina es una herramienta de limpieza, no sirve para cualquier otro propósito.
- Siempre mantenga los orificios libres de polvo, pelos y cualquier otro material extraño que podría reducir el flujo de aire. No utilice la máquina si los orificios están obstruidos.
- Utilice la máquina sólo cuando se proporciona una iluminación adecuada.
- Esta máquina no está diseñada para su uso por personas con capacidades físicas, sensoriales o mentales, o la falta de experiencia y conocimiento, a menos que sean supervisadas o instruidas acerca del uso de la máquina por una persona responsable de su seguridad.
- Preste especial atención al utilizar la máquina cerca de niños.
- Los niños deben ser supervisados para asegurarse de que no jueguen con la máquina.
- Durante el uso de esta máquina, tenga cuidado de no causar daños a personas u objetos.

## DESCRIPCIÓN DE LA MÁQUINA

## CONSTRUCCIÓN DE LA MÁQUINA (como se indica en Figura 1)

1. Tapa del depósito de recogida
2. Recogedor de polvo
3. Manillar
4. Panel de control
5. Placa de número de serie / Datos técnicos
6. Palanca de elevación / descenso de la escobilla de goma
7. Soporte para el cable de alimentación
8. Cable de alimentación
9. Manguera de desagüe de solución y de control del nivel
10. Pedal de elevación/descenso de la plataforma (sólo para máquina de disco)
  - c) Posición del pedal cuando la plataforma está elevada
  - d) Posición del pedal cuando la plataforma está baja
11. Botones de la escobilla de goma
12. Placa de número de serie / Datos técnicos
13. Manguera de aspiración de la escobilla de goma
14. Escobilla de goma
15. Perilla de balance de la escobilla de goma
16. Grifo de solución/agua limpia
17. Ruedas traseras direccionales
18. Filtro de solución
19. Ruedas delanteras en eje fijo  
Ruedas motrices (B)
20. Portacepillos/porta-almohadillas
21. Plataforma del portacepillos/porta-almohadillas
22. Manguera de desagüe del agua de recogida
23. Depósito de solución
24. Bisagra
25. Depósito de recogida
26. Soporte del filtro
27. Soporte del tubo de llenado
28. Tapa del filtro
29. Limpiador de rodapiés (\*)
30. Junta de la tapa del tanque
31. Caja de recogida de residuos
32. Protección contra salpicaduras 510mm
33. Filtro con boya
34. Conjunto de fregona y basura (\*)
35. Válvula electromagnética

(\*) Opcional

(A): Solo para máquinas sin tracción

(B): Solo para máquinas con tracción

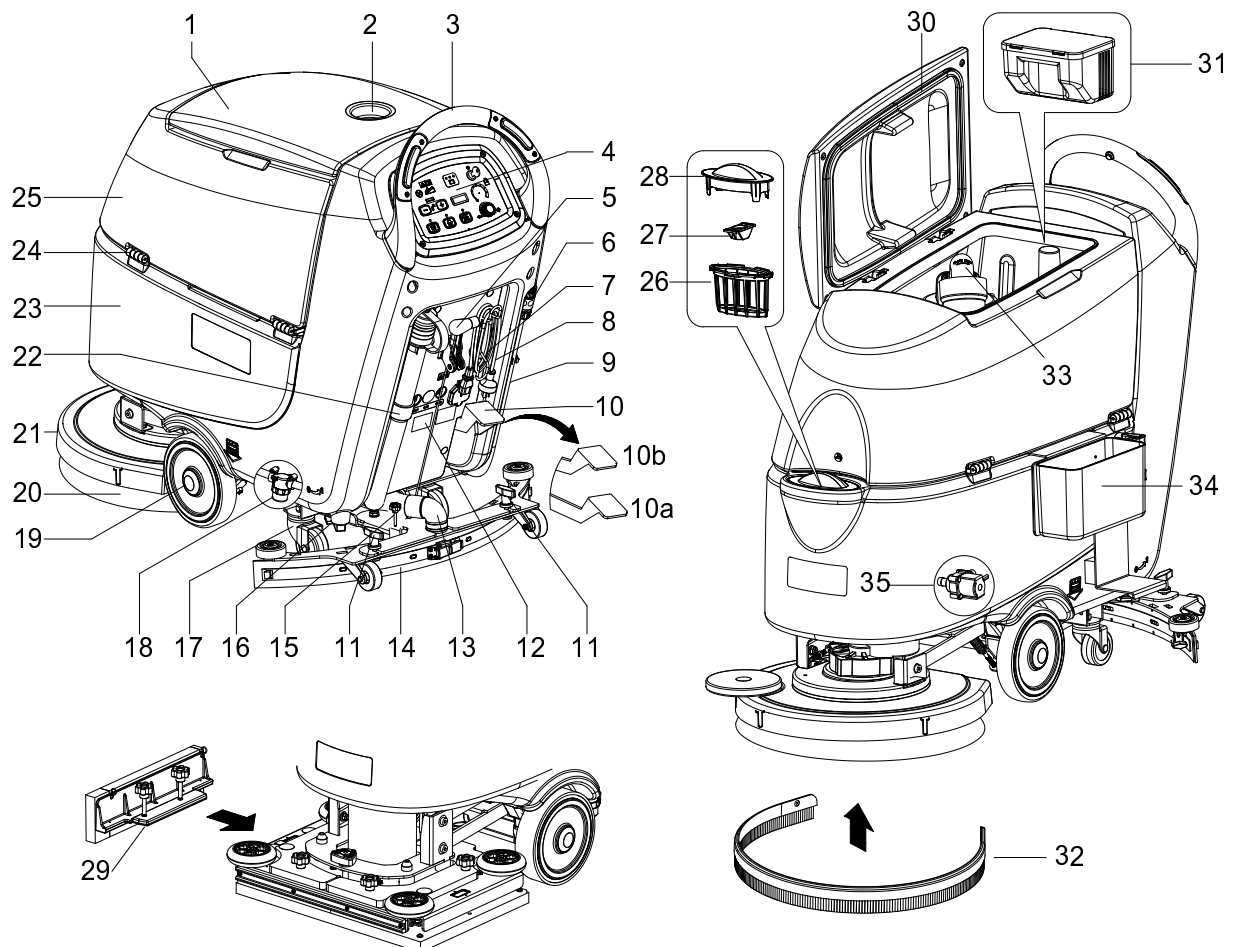
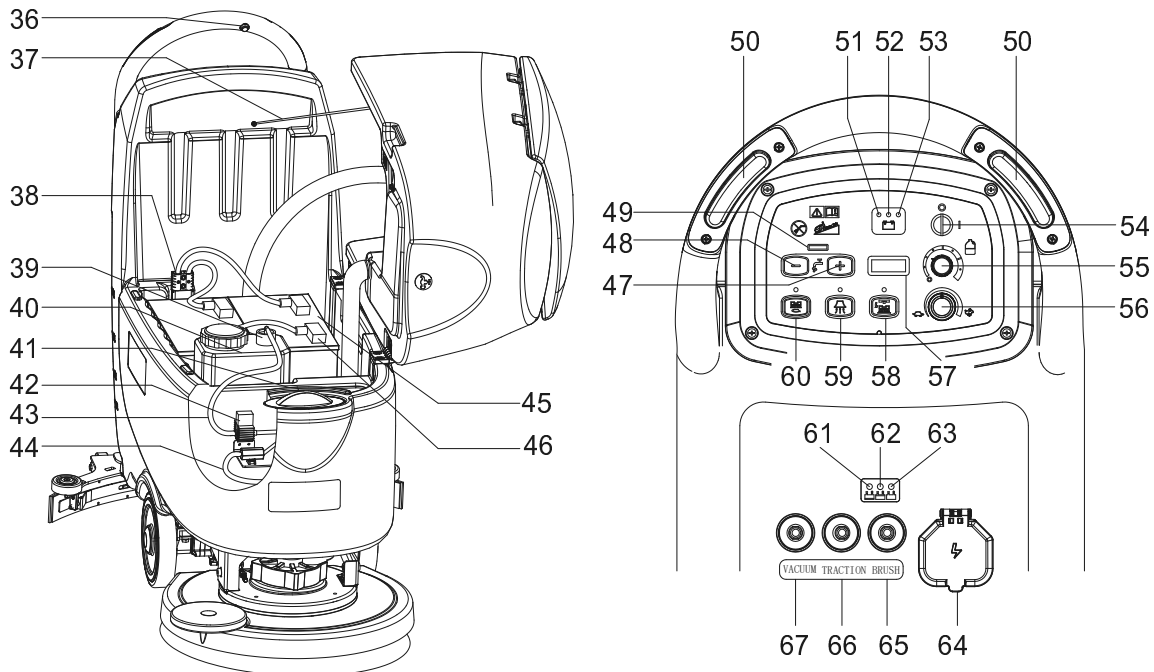


Figura 1

**PANEL DE CONTROL** (como se indica en la Figura 2)

- |  |   |
|--|---|
| <p>36. Interruptor de retroceso de la máquina (B)<br/> 37. Cable de seguridad del depósito<br/> 38. Conector de la batería (rojo).<br/> 39. Tapón de llenado del depósito de detergente (**)<br/> 40. Depósito de detergente (**)<br/> 41. Tabla de referencia para la dosificación de detergente (**)<br/> 42. Bomba de detergente (**)<br/> 43. Depósito de detergente - manguera de conexión a la bomba (**)<br/> 44. Manguera de alimentación de detergente (**)<br/> 45. Baterías<br/> 46. Tapas de la batería<br/> 47. Interruptor de aumento del flujo<br/> 48. Interruptor de disminución de flujo<br/> 49. Indicador del flujo de solución<br/> 50. Interruptor de seguridad<br/> 51. Luz de aviso de batería descargada (roja)<br/> 52. Luz de aviso de batería semi-descargada (amarilla)<br/> 53. Luz de aviso de batería cargada (verde)<br/> 54. Llave de ignición (0 - I)<br/> 55. Perilla de control de flujo de detergente (**)<br/> 56. Regulador de velocidad (B)<br/> 57. Cronómetro</p> | <p>58. • Interruptor de liberación del portacepillos/porta-almohadillas (sólo para máquina de disco)<br/> • Extra presión activa (sólo para máquina orbital)<br/> 59. Interruptor del sistema de aspiración<br/> 60. • Interruptor del sistema de aspiración y del portacepillos/porta-almohadillas(sólo para máquina de disco)<br/> • Cubierta de almohadilla moviendo hacia arriba/abajo y cepillo/soporte de almohadilla e interruptor de sistema de aspiración (sólo para máquina orbital)<br/> 61. LED de carga rojo<br/> 62. LED de carga amarillo<br/> 63. LED de carga verde<br/> 64. Tapa de seguridad del conector de carga<br/> 65. Protector de sobrecarga del cepillo<br/> 66. Protector de sobrecarga del sistema (B)<br/> 67. Protector de sobrecarga de la aspiradora</p> <p>(*): Opcional<br/> (**): Solo para máquinas con Sistema de Mezclado Químico (opcional)<br/> (A): Solo para máquinas sin tracción<br/> (B): Solo para máquinas con tracción</p> |
|--|---|

**VENTANA DE VISUALIZACIÓN DEL INDICADOR LUMINOSO DEL CARGADOR** (como se indica en la Figura 2)

1. Cuando comienza la carga, el LED rojo (61) del cargador se ilumina normalmente. Es la primera etapa de la carga.
2. Tras un tiempo de carga, el LED rojo (61) se apaga y el LED amarillo (62) se ilumina, esta es la segunda etapa de la carga.
3. Una vez que se complete la carga, el LED amarillo (62) se apaga y el LED verde (63) se ilumina para indicar que la batería está completamente cargada.

**NOTA**

**Durante la carga, si el indicador LED (62) del cargador está iluminado, lo que puede ser cargado por: La batería y cargador no coinciden, la batería no se conecta bien, o de salida tiene un cortocircuito.**

**El parpadeo del LED rojo puede ser causado por un cortocircuito interno en el cargador.**

## PARÁMETROS TÉCNICOS

MODELO	Unidades	CA60 24B	CA60 20B	CA60 20D	CA60 20TD
Dimensiones embalaje (Lx W x H)	mm	1370x700x1300	1370x600x1300		
Altura de la máquina	mm	1080			
Longitud de la máquina	mm	1260			
Anchura de la máquina (sin la escobilla de goma)	mm	650	550		
Peso de la máquina con los depósitos vacíos (sin baterías)	Kg	124	122	91	97
Peso bruto del vehículo (GVW)	Kg	243	241	208	214
Peso de envío	Kg	170	154	121	127
Capacidad del depósito de solución	Litros	61			
Capacidad del depósito de recogida	Litros	61			
Potencia del motor de aspiración	Vatios	350			
Capacidad de aspiración	mm H <sub>2</sub> O	1200			
Capacidad de ascenso (Máx.)	%	2%			
Diámetro de la rueda delantera	mm	200			
Diámetro de la rueda trasera	mm	76			
Nivel de ruido	dB(A)	69±3			
Solución/ Flujo(Max)	Litro/Min	(0.7) (1.2) (1.7) (2.2)			
Ancho de trabajo	MM	610	510	530	
Anchura de la escobilla de goma	MM	760			
Diámetro del cepillo/almohadilla	MM	610X360	510X360	530/508	
Potencia del motor del cepillo	Vatios	750		450	
Velocidad del cepillo	Rpm	2200		150	
Presión del cepillo/almohadilla (Máx.)	Kg	40-50		27	23
Potencia del motor de accionamiento	Vatios	250		/	150
Velocidad de trabajo	Km/h	0-3.2		/	0-4
Velocidad hacia delante	Km/h	0-4		/	0-4
Velocidad hacia atrás	Km/h	0-2		/	0-2
Nivel de Vibración del Asa (Max)	m/S <sup>2</sup>	2.5		2.5	
Voltaje	V	24V			
Batería	Ah	105/130 WET, 105/140 AGM			
Cargador de baterías	V/A	24V/13A			
Tamaño del compartimento de las baterías (L x W x H)	mm	350X350X300			

## GUÍA DE FUNCIONAMIENTO



**¡ADVERTENCIA!**

En algunos lugares de la máquina se encuentran algunas placas adhesivas que indican:

- ¡PELIGRO!
- ¡ADVERTENCIA!
- ¡PRECAUCIÓN!
- CONSULTA

Durante la lectura de este manual, el operario debe prestar especial atención a los símbolos que aparecen en las placas. No cubra estas placas por cualquier motivo y reemplácelas inmediatamente si están dañadas.

## VERIFICACIÓN/CONFIGURACIÓN DE LA BATERÍA EN UNA MÁQUINA NUEVA



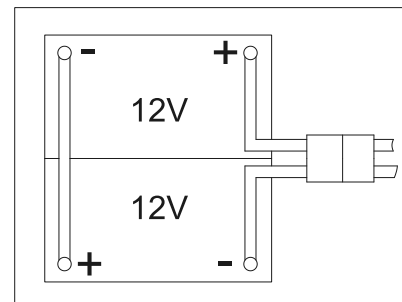
**¡ADVERTENCIA!**

Los componentes eléctricos de la máquina pueden resultar seriamente dañados si las baterías están mal instaladas o conectadas. Las baterías deben ser instaladas solamente por personal cualificado. Ajuste el tablero electrónico de funciones y el cargador de baterías incorporado de acuerdo con el tipo de baterías utilizado (HÚMEDAS o de GEL / AGM). Compruebe las baterías en busca de daños antes de instalarlas. Desconecte el conector de la batería (38) y el enchufe del cargador de baterías (8). Manipule las baterías con gran cuidado. Instale las tapas de protección de los terminales de las baterías suministradas con la máquina.



**NOTA**

La máquina requiere dos baterías de 12 V, conectadas según el diagrama (Figura 3).



**Figura 3**

La máquina se entrega en uno de los siguientes modos:

**A) Las baterías (HÚMEDAS o de GEL/AGM) están ya instaladas y cargadas**

1. Compruebe si las baterías están conectadas a la máquina mediante el conector (38).
2. Introduzca la llave de ignición (54) y gírela a la posición «I». Si se ilumina la luz de aviso verde (53), las baterías están completamente cargadas. Si se ilumina la luz de aviso amarilla (52) o la roja (51), las baterías deben cargarse (consulte el procedimiento en el capítulo Mantenimiento).

**B) Sin baterías**

1. Compre baterías apropiadas (véase el apartado Datos Técnicos).
2. En lo que se refiere a la elección e instalación de baterías, solicite la asistencia de Distribuidores de baterías calificados.
3. Configure la máquina y el cargador de baterías de acuerdo con el tipo de baterías (HÚMEDAS o de GEL/AGM), tal y como se indica en el siguiente apartado.

**INSTALACIÓN DE LA BATERÍA Y CONFIGURACIÓN DEL TIPO DE BATERÍA (HÚMEDA O DE GEL/AGM)**

Según el tipo de baterías (HÚMEDAS O DE GEL/AGM), ajuste la máquina de la siguiente manera:



**NOTA**

Según los valores de fábrica, comprobar el tipo de pila en el indicador de tiempo de arranque según la tabla anterior

1. Pulsar ambos botones (A, Imagen. 4) y (B) al mismo tiempo. Inserte la llave de encendido (D) y encienda la unidad, tras 0.5 segundos, entre en el modo de ajuste de pilas. el Indicador LED durante la configuración (C), Soltar el botón.
2. El modo puede cambiarse de 0 a 5 presionando el botón (B), o cambiar de 5 a 0 pulsando el botón (A). Tras completar el ajuste del modo de pila, apague la unidad (D) y el nuevo ajuste del modo de batería se guarda automáticamente.
3. El ajuste del tipo de pila ha sido completado.

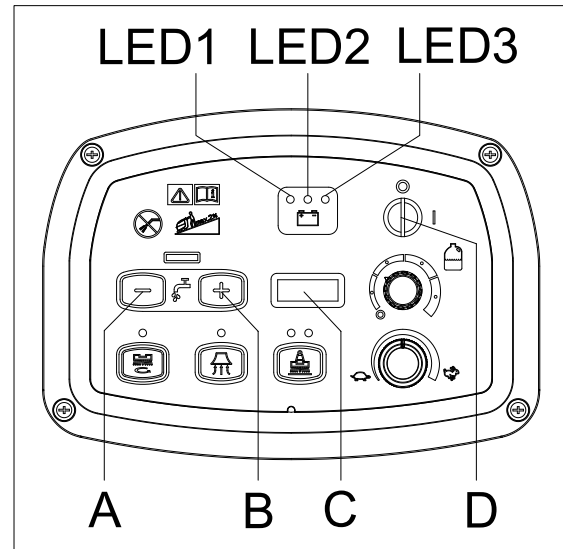


Figura 4

Modo	Tipo de pila/Fabricante de pila	Curva de carga de pilas	Pantalla LED durante el ajuste( C, Imagen. 4)	Indicador Tiempo Arranque
0	WET	Curva General WET	WET 0	LED1 parpadea dos veces
1	GEL/AGM	Curva General GEL/AGM	AGM 1	LED2 parpadea dos veces
2	DISCOVER	DISCOVER	d 15 2	LED3 parpadea tres veces
3	OPTIMA	OPTIMA	OPT 3	LED1 y LED2 parpadean dos veces
4	EXIDE	EXIDE	EXI 4	LED1 y LED3 parpadean dos veces
5	FULLRIVER	FULLRIVER	FUL 5	LED2 and LED3 parpadean dos veces

**Instalación de la batería**

4. Abra la tapa del depósito de recogida (1) y comprueba si el depósito de recogida (25) está vacío; de lo contrario vacíelo mediante la manguera de desagüe (22).
5. Cierre la tapa del depósito de recogida (1).
6. Vuelque el depósito de recogida con cuidado (25).
7. La máquina se entrega con los cables adecuados para instalar 2 baterías x12V. Coloque con cuidado las baterías en el compartimiento y a continuación instálelas correctamente.
8. Pase e instale el cable de las baterías como se indica (en la Figura 3), luego apriete cuidadosamente la tuerca en cada uno de los terminales de la batería.
9. Coloque la tapa protectora en cada terminal, a continuación, conecte el conector de la batería (38).
10. Baje con cuidado el depósito de recogida (25).

**Cargar la batería**

11. Cargue las baterías (Consulte los procedimientos en el capítulo de mantenimiento).



## MONTAJE Y DESMONTAJE DEL PORTACEPILLOS/PORTA-ALMOHADILLAS (sólo para máquina de disco)



### NOTA

Instale el cepillo (A, Figura 5) o el porta-almohadillas (B y C, Figura 5) según el tipo de suelo a limpiar.



### ¡PRECAUCIÓN!

Antes del montaje o desmontaje del cepillo o porta-almohadillas, asegúrese de que todos los interruptores de la máquina están en la posición de apagado y levante la escobilla de goma del suelo. El operario debe estar equipado con dispositivos de protección personal adecuados, tales como guantes, para reducir el riesgo de accidentes.

Proceda como se indica a continuación:

1. Inserte la llave de ignición (54) y gírela a la posición «O».
2. Levante la plataforma pisando el pedal (10).
3. Gire el regulador de velocidad (56), si lo hay, a la posición de inactivo, moviéndolo en el sentido anti-horario.
4. Coloque los cepillos (A, Fig. 5) en el porta-almohadillas (B) debajo de la plataforma (21).
5. Baje la plataforma en los portacepillos/porta-almohadillas pisando el pedal (10).
6. Gire la llave de ignición (54) a «I».
7. Presione el interruptor del portacepillos/porta-almohadillas y el sistema de aspiración (60).
8. Pulse uno de los cepillos/engranajes de marcha adelante (50) para enganchar el portacepillos/porta-almohadillas y a continuación libérela. Si es necesario, repita el procedimiento hasta que los portacepillos/porta-almohadillas estén enganchadas.



### ¡ADVERTENCIA!

(Solo para máquinas con tracción): Gire el regulador de velocidad (56) en el sentido anti-horario para accionar la máquina a la velocidad mínima.

Presione ligeramente el interruptor (50), de lo contrario la máquina empieza a moverse.

Para enganchar el portacepillos/porta-almohadillas, presione el interruptor (50) que pone en marcha el motor del portacepillos/porta-almohadillas.

9. Para retirar el portacepillos/porta-almohadillas, levante la plataforma pisando el pedal (10) y a continuación presione el interruptor (58) y el portacepillos/porta-almohadillas se soltará.

## MONTAJE Y DESMONTAJE DE LA ALMOHADILLA (sólo para máquina orbital)

1. Elevar la cubierta presionando el interruptor (60).
2. Monte y desmonte la almohadilla (A, Imagen. 5.1)

## AJUSTAR EL BALANCE DE LA ESCOBILLA DE GOMA

1. Instale la escobilla de goma y enrosque la tuerca (H), luego conecte la manguera de aspiración (G) con la escobilla de goma.
2. Ajuste la posición de la escobilla de goma mediante la palanca de ajuste de la escobilla de goma (A, Figura 6).
  - a) Si queda un espacio entre el suelo y sección media de la lámina posterior de la escobilla de goma (B), ajuste la perilla (A) en dirección anti horaria (F) hasta que la entera sección de la lámina posterior de la escobilla de goma entre en buen contacto con el suelo, la lámina delantera tocando el suelo ligeramente.
  - b) Si hay espacio entre el suelo y los dos extremos de la lámina posterior (C y D), ajuste la perilla (A) en dirección horaria (E) hasta que la entera sección de la lámina posterior entre en buen contacto con el suelo, la lámina delantera tocando el suelo ligeramente.

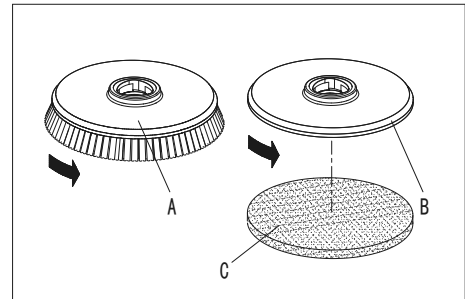


Figure 5

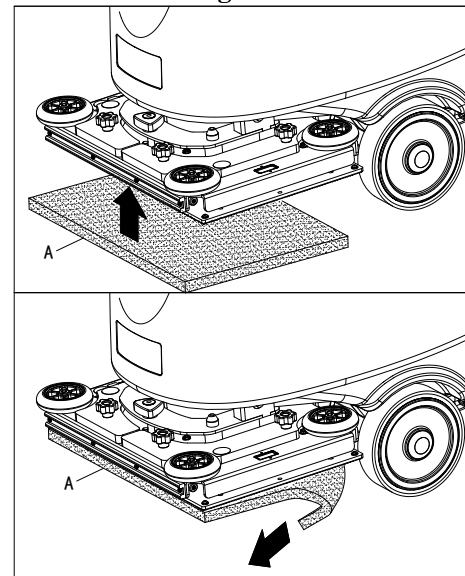


Figure 5.1

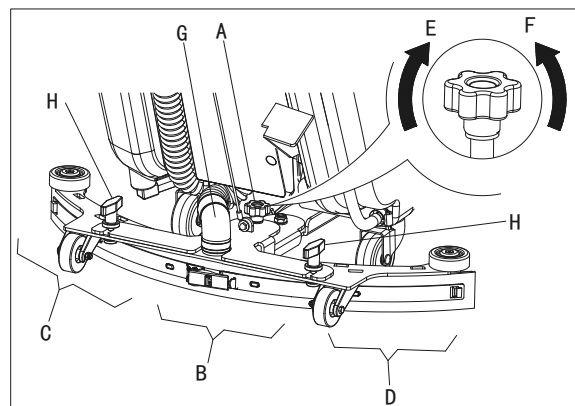


Figura 6

## LLENAR EL DEPÓSITO DE SOLUCIÓN O AGUA DE LAVADO

**NOTA**

Si la máquina está equipada con el Sistema de Mezclado Químico (opcional), el depósito debe llenarse con agua limpia, de lo contrario el depósito puede llenarse con solución.

1. Abra la boca de llenado (B, Figura 7).
2. (Para máquinas sin Sistema de Mezclado Químico) Utilice la boca de llenado delantera (B) y o la boca de llenado posterior (H) para llenar el depósito (D) con una solución adecuada para el trabajo a realizar. Rellene hasta la marca de referencia "1" de la manguera de control del nivel (H). Siempre siga las instrucciones sobre la disolución en la etiqueta del producto químico usado para preparar la solución. La temperatura de la solución no debe exceder los +104°F (+40°C).

**¡ADVERTENCIA!**

Utilice solo detergentes no inflamables y de baja espuma, indicados para el uso en fregadoras automáticas.

3. (Para máquinas con Sistema de Mezclado Químico) Llene el depósito (D) con agua limpia mediante la boca de llenado delantera (B) y o la posterior (H). Rellene hasta la marca de referencia "1" de la manguera de control del nivel (H). La temperatura del agua no debe exceder los +104°F (+40°C).

**Llevar el depósito de detergente (Para máquinas con Sistema de Mezclado Químico)**

1. Abra la tapa (E) y compruebe si el depósito de recogida (F) está vacío, de lo contrario vacíelo mediante la manguera de desagüe (G).
2. Cuidadosamente dé la vuelta al depósito de recogida (A, Figura 8).
3. Abra la tapa (B).
4. Reemplace o llene la jarra (C) con cualquier recipiente estándar de 3,8l de detergente adecuado para el trabajo que se llevará a cabo (detergentes de alta concentración). No llene el depósito de detergente demasiado, deje algunos centímetros hasta el borde.

**¡ADVERTENCIA!**

Utilice solo detergentes no inflamables y de baja espuma, indicados para el uso en fregadoras automáticas.

**NOTA**

Para instalar un nuevo contenedor de jarra, determine el tamaño de la tapa y si es una tapa menor, retire el adaptador de reducción del tapón de la tapa de la manguera (B). Introduzca el tubo de succión en la jarra (C). Presione firmemente la tapa hacia abajo (B) y enrosque al mismo tiempo para volver a colocar la tapa sobre la jarra (C). En los casos de un nuevo sistema, sistema vaciado para la limpieza, etc., espere hasta que se llenen los tubos antes de poner en marcha el Sistema de Mezclado Químico.

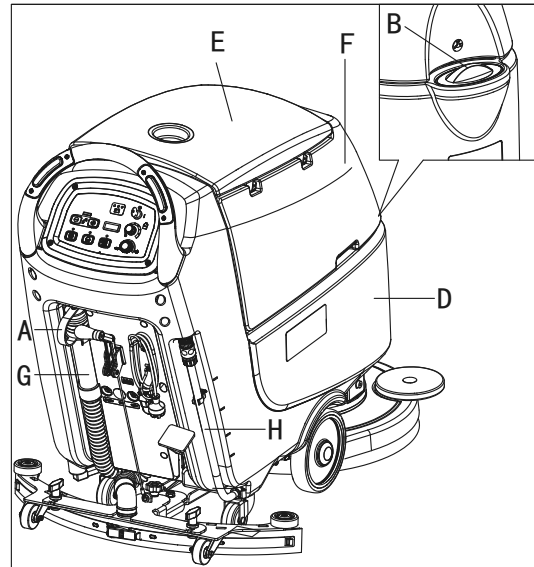


Figura 7

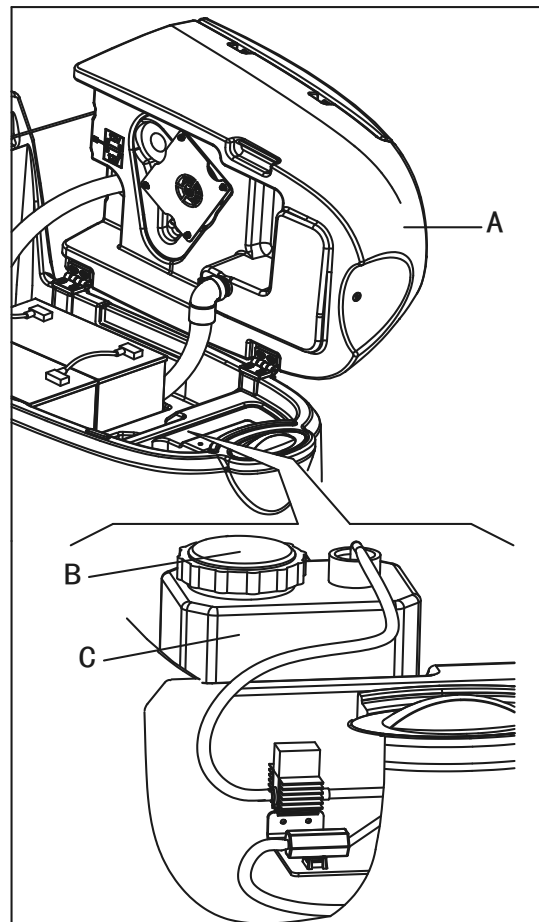


Figura 8

## PUESTA EN MARCHA Y PARADA DE LA MÁQUINA

### Puesta en marcha de la máquina

1. Prepare la máquina como se indica en el apartado anterior.
2. Introduzca la llave de ignición (A, Fig. 9), girándolo a la posición «I». Compruebe si la luz de aviso verde (B) se ilumina (batería cargada). Si se ilumina la luz de aviso amarilla (C) o la roja (D), gire la llave de ignición otra vez a la posición «0» y cargue las baterías (consulte el procedimiento en el capítulo Mantenimiento).
3. Conduzca la máquina a la zona de trabajo:
  - Empujándola con las manos en el manillar (E) (solo para máquinas sin tracción).
  - Empujándola con las manos en el manillar (E) y pulsando el interruptor (F) para moverla hacia delante, o pulsando el interruptor (F) junto con el (G) para moverla hacia atrás (solo para máquinas con tracción). La velocidad de avance se puede ajustar mediante el regulador (H).
4. Baje la escobilla de goma (I) usando la palanca (J).
5. Baje la plataforma del portacepillos/porta-almohadillas (K) al levantar el pedal (L). (sólo para máquina de disco)
6. Presione el interruptor del portacepillos/porta-almohadillas (M) y el interruptor del sistema de aspiración (N).
7. Pulse los interruptores de control de flujo de agua de lavado (O), según sea necesario, dependiendo del tipo de limpieza a realizar.
8. Empezar a limpiar:
  - (solo para máquinas sin tracción) empujando la máquina con las manos en el manillar (E) y pulsando el interruptor (F).
  - (solo para máquinas con tracción) empujando la máquina con las manos en el manillar (E) y pulsando el interruptor (F). Si es necesario, la velocidad de avance se puede ajustar mediante el regulador (H).



#### NOTA

Para mover la máquina hacia delante, pulse el interruptor de la izquierda, el de la derecha (F) o ambos.

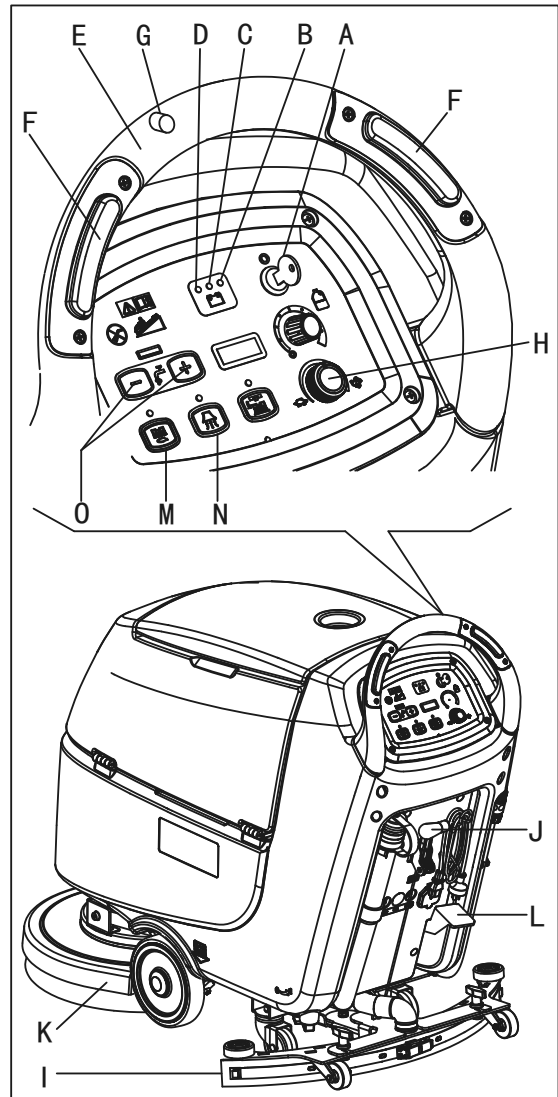


Figura 9

### Parar la máquina

9. Detenga la máquina usando el manillar (E) (solo para máquinas sin tracción). Detenga la máquina soltando los interruptores (F) (solo para máquinas con tracción).
10. Pare los cepillos y el sistema de aspiración al pulsar el interruptor (M). El sistema de aspiración se detiene al cabo de algunos segundos.
11. Levante la plataforma del portacepillos/porta-almohadillas (K) pisando el pedal (L). (sólo para máquina de disco)
12. Levante la escobilla de goma (I) usando la palanca (J).
13. Gire la llave de ignición (A) a la posición «0».
14. Asegúrese de que la máquina no se puede mover por si sola.

### AJUSTAR EL NIVEL DE LA CUBIERTA ORBITAL (sólo para máquina orbital)

1. Bajar el cepillo/soporte de almohadilla pulsando el interruptor de cepillo/soporte de almohadilla (M, Imagen. 9)
2. Ajustar el nivel de la cubierta orbital ajustando el asa (A, Imagen 9.1). con una burbuja en el medio (B, Imagen 9.1).

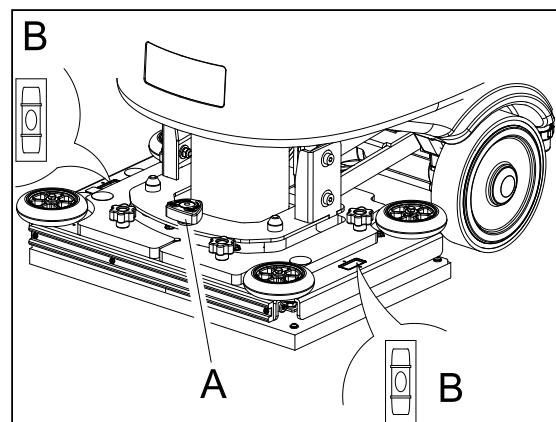


Figure 9.1

**FUNCIONAMIENTO DE LA MÁQUINA (FREGADO Y SECADO)**

1. Ponga la máquina en marcha como se indica en los párrafos anteriores.
2. Mientras mantiene ambas manos en el manillar pulse el interruptor de seguridad (F, Fig. 9), a continuación, desplace la máquina para empezar a fregar/secar el suelo.
3. Si es necesario, detenga la máquina y luego ajuste la escobilla de goma de acuerdo a la sección "Ajustar el balance de la escobilla de goma".

**NOTA**

Para el fregado/secado correcto de los suelos en los lados de las paredes, sugiere aproximarse a las paredes con el lado derecho de la máquina (A y B, Fig. 10) como se indica en la figura.

**¡PRECAUCIÓN!**

Para evitar cualquier daño a la superficie del suelo, apague los portacepillos/porta-almohadillas cuando la máquina se detiene en un lugar, especialmente cuando la función de presión extra está activa.

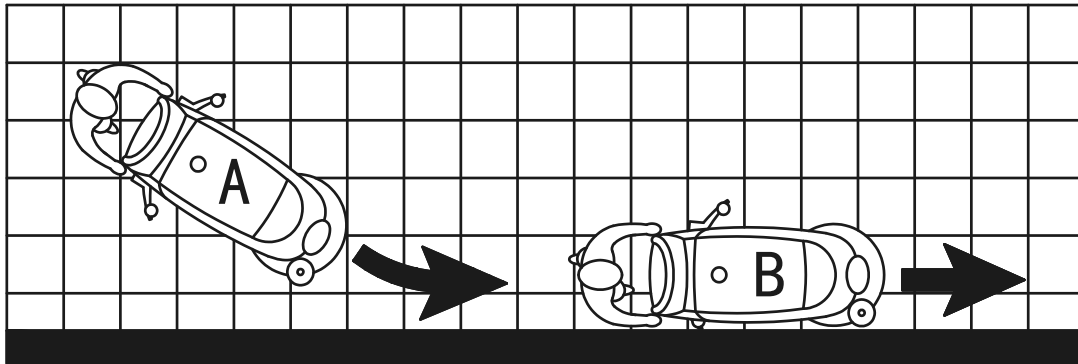


Figura 10

**Ajuste del flujo de detergente****(Para máquinas con Sistema de Mezclado Químico)**

1. Gire la perilla (A, Fig. 11) en el sentido horario o anti-horario para aumentar o reducir la concentración de detergente.
2. Los valores medios de concentración de detergente, que coinciden con las 4 zonas de color de la escala (B), se muestran en la figura.
3. Para ajustar la cantidad de detergente a cero, gire la perilla (A) en sentido anti-horario hasta la posición final.

**NOTA**

La concentración de detergente se mantiene constante, incluso si el flujo de agua de lavado se cambia con los interruptores (C) o (D).

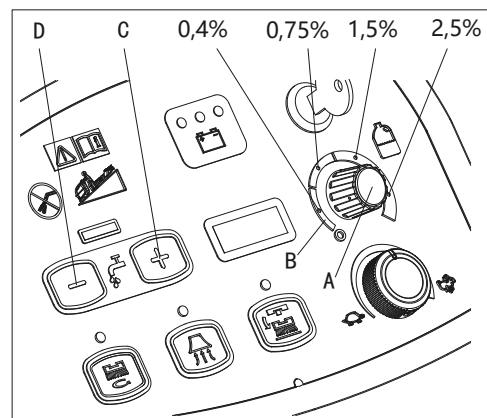


Figura 11

### Descarga de la batería durante el funcionamiento

Mientras que la luz de aviso verde (A, Fig. 12) está iluminada, las baterías permiten que la máquina funcione normalmente. Cuando la luz de aviso verde (A) se apaga y se ilumina la luz de aviso amarilla (B), es aconsejable cargar las baterías ya que la carga restante durará unos pocos minutos (dependiendo de las características de la batería y el trabajo a realizar). Cuando se ilumina la luz de aviso roja (C), las baterías están completamente descargadas. Pasados algunos segundos, el portacepillos/porta-almohadillas se apaga automáticamente, mientras que el sistema de aspiración y el sistema de accionamiento (solo para máquinas con tracción) siguen funcionando, para concluir el secado del suelo y conducir la máquina a la zona de carga designada.



#### ¡PRECAUCIÓN!

No utilice la máquina con las baterías descargadas, para evitar dañar las baterías y acortar su vida útil.

### VACIAR LOS DEPÓSITOS

Un sistema de cierre del flotador automático (A, Fig. 13) bloquea el sistema de aspiración cuando el depósito de agua sucia (B) está lleno. La desactivación del sistema de aspiración se indica mediante un aumento repentino en la frecuencia de ruido del motor del sistema de aspiración, y también el suelo no se seca.



#### ¡PRECAUCIÓN!

Si el sistema de aspiración se apaga accidentalmente (por ejemplo, cuando el flotador se activa debido a un movimiento brusco de la máquina), para reanudar la operación: apague el sistema de aspiración pulsando el interruptor (D, Fig. 12), a continuación, abra la tapa (C, Fig. 13) y compruebe que el flotador dentro de la rejilla (a) ha bajado al nivel del agua. Luego cierre la tapa (c) y ponga en marcha el sistema de aspiración pulsando el interruptor (D, Fig. 12).

Cuando el depósito de agua sucia (B, Fig. 13) está lleno, vacíelo de acuerdo con el siguiente procedimiento.

#### Vaciar el depósito de agua sucia

1. Pare la máquina.
2. Levante la plataforma del portacepillos/porta-almohadillas (E, Fig. 12) pisando el pedal (F). ( sólo para máquina de disco)
3. Levante la escobilla de goma (G) usando la palanca (H).
4. Conduzca la máquina a la zona de vertido designada.
5. Vacíe el depósito de agua sucia usando la manguera (I). A continuación, enjuague el depósito (B, Fig. 13) con agua limpia.

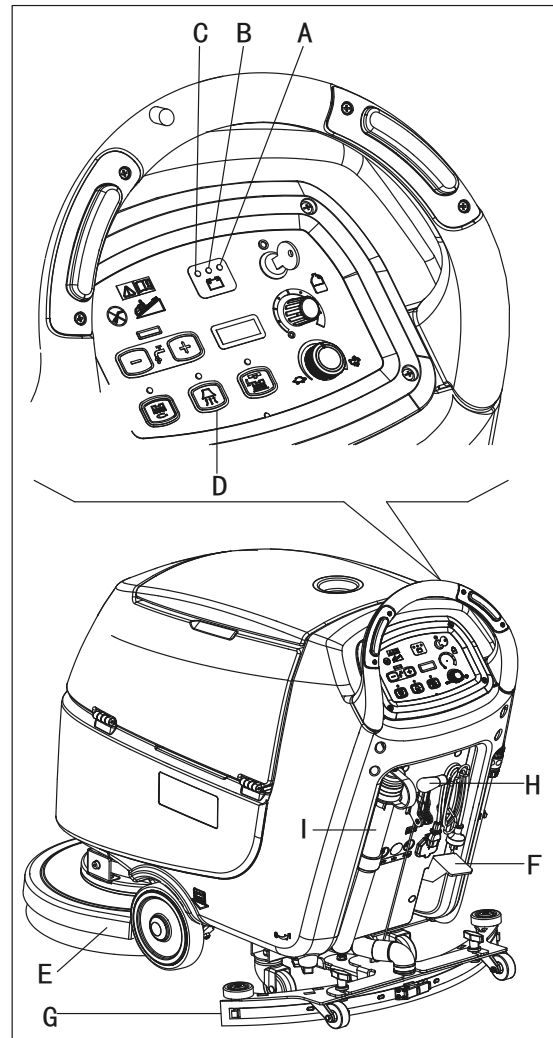


Figura 12

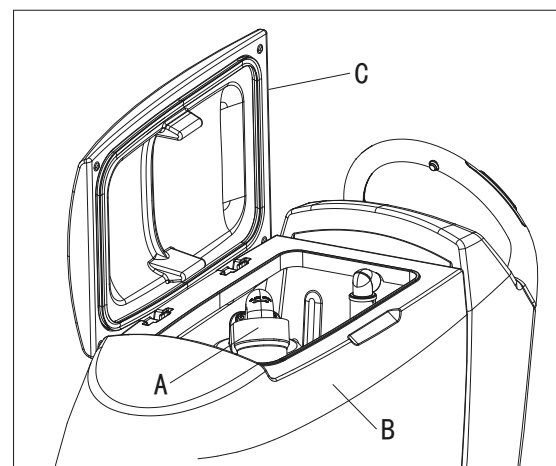


Figura 13

**¡PRECAUCIÓN!**

Al drenar el agua residual, el tubo de aspiración de los residuos se debe doblar (A, Fig. 14) y descender a la posición más baja posible (B, Fig. 14). A continuación, abra la tapa del tubo de aspiración de residuos para drenar el agua. Evite que la boca del tubo de aspiración de residuos esté orientada hacia arriba para drenar el agua verticalmente. Esto es para prevenir que las aguas residuales salpiquen al operario.

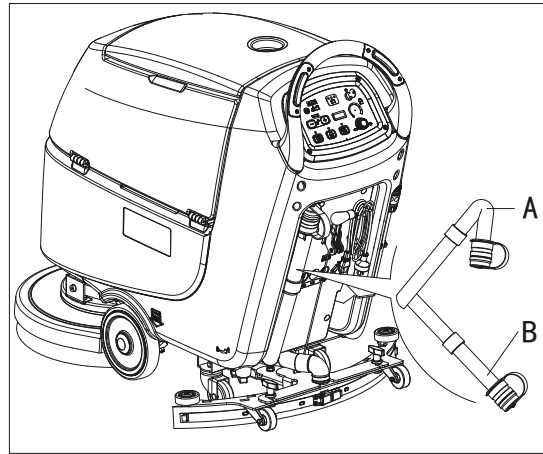


Figura 14

6. Realice los pasos 1 a 4.

**Vaciar el depósito de solución/agua limpia**

7. Vacíe el depósito de solución usando la manguera (A, Fig. 15). Después del uso, enjuague el tanque con agua limpia.

**DESPUÉS DE USAR LA MÁQUINA**

Después de usar, antes de guardar la máquina:

1. Retire los portacepillos/porta-almohadillas.
2. Vacíe los depósitos (B y C, Fig. 15) tal y como se indica en el apartado anterior.
3. Lleve a cabo los procedimientos de mantenimiento diario (consulte el capítulo Mantenimiento).
4. Guarde la máquina en un lugar limpio y seco, con los portacepillos/porta-almohadillas y la escobilla de goma levantados o desmontados.

**INACTIVIDAD PROLONGADA DE LA MÁQUINA**

Si la máquina no va a ser utilizada durante más de 30 días, proceda de la siguiente manera:

1. Realice los procedimientos que se muestran en el apartado Después de usar la máquina.
2. Desconecte el conector de la batería (38).

**PRIMER PERÍODO DE USO**

Después de las primeras 8 horas, compruebe si los elementos de sujeción y unión de la máquina están bien apretados e inspeccione las partes visibles en busca de desgaste y fugas.

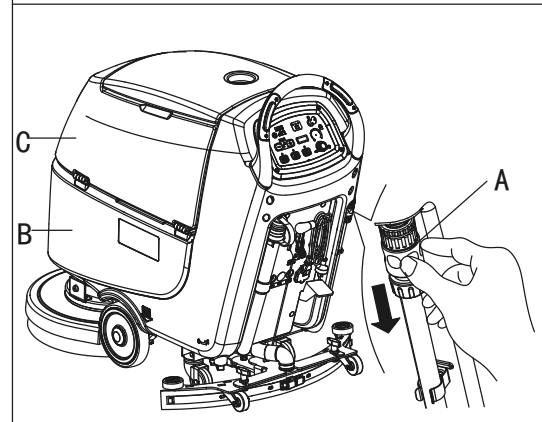
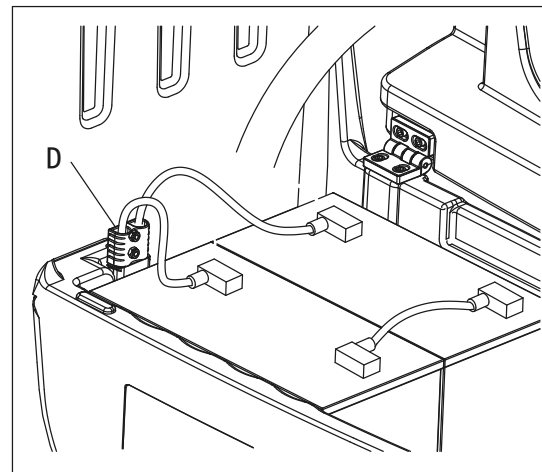


Figura 15

**MANTENIMIENTO****¡ADVERTENCIA!**

Los procedimientos de mantenimiento deben ser realizados cuando la máquina está apagada y el cable del cargador de la batería está desconectado. Además, lea atentamente los capítulos de seguridad en el manual.

Todos los procedimientos de mantenimiento programado o extraordinario deben ser realizados por personal cualificado o un Centro de Servicio autorizado. Este manual sólo describe los procedimientos de mantenimiento generales y comunes.

Para otros procedimientos de mantenimiento que no están en la tabla abajo del programa de mantenimiento, por favor refiérase al Manual de Servicio que puede ser consultado en cualquier Centro de Servicio de nuestra empresa.

**TABLA DE MANTENIMIENTO PROGRAMADO****¡PRECAUCIÓN!**

El procedimiento marcado con (1) debe realizarse 9 horas después del primer uso de la máquina.  
El procedimiento marcado con (2) debe ser realizado por el Centro de Servicio designado por nuestra empresa.

Procedimiento	Diario, después de cada uso	Semanal	Cada 6 meses	Anualmente
Cargar la batería				
Limpiar la escobilla de goma				
Limpiar el cepillo/soporte de la almohadilla				
Limpiar los tanques				
Inspeccionar las tiras de sellado de los tanques				
Limpiar el filtro del flotador de bola				
Almohadilla				
Inspección y cambio de las láminas de la escobilla de goma				
Limpiar el filtro de agua				
Limpiar el filtro de aspiración				
Control del nivel de líquido de la batería WET				
Inspeccionar si los tornillos y tuercas están bien apretados			(1)	
Aislante inferior			(2)	
Inspeccionar o reemplazar la escobilla de carbón del cepillo/soporte de la almohadilla				(2)
Inspeccionar o reemplazar la escobilla de carbón del motor de aspiración				(2)
Inspección o cambio del cepillo de carbón del motor del sistema de accionamiento (solo para máquinas con tracción)				(2)

## CARGAR LA BATERÍA



### NOTA

Cargue las baterías cuando se ilumina la luz de aviso amarilla (G, figura 16) o la roja (H), o al terminar la limpieza.



### ¡PRECAUCIÓN!

El mantener las baterías cargadas prolongará su vida útil.



### ¡PRECAUCIÓN!

Cuando las baterías están descargadas, cárguelas lo más pronto posible, ya que esta condición acortará su vida útil. Verifique el nivel de carga una vez por semana como mínimo.



### ¡ADVERTENCIA!

Durante la carga las baterías **HÚMEDAS** desprenden gas hidrógeno que es altamente explosivo. Cargue las baterías en áreas bien ventiladas y lejos de llamas descubiertas. No fume mientras se cargan las baterías. Mantenga el depósito abierto mientras se cargan las baterías.



### ¡ADVERTENCIA!

Durante la carga de las baterías preste especial atención ya que puede haber fugas de líquido de la batería. El líquido de la batería es corrosivo. Si entra en contacto con la piel o los ojos, enjuague con abundante agua y consulte a un médico.

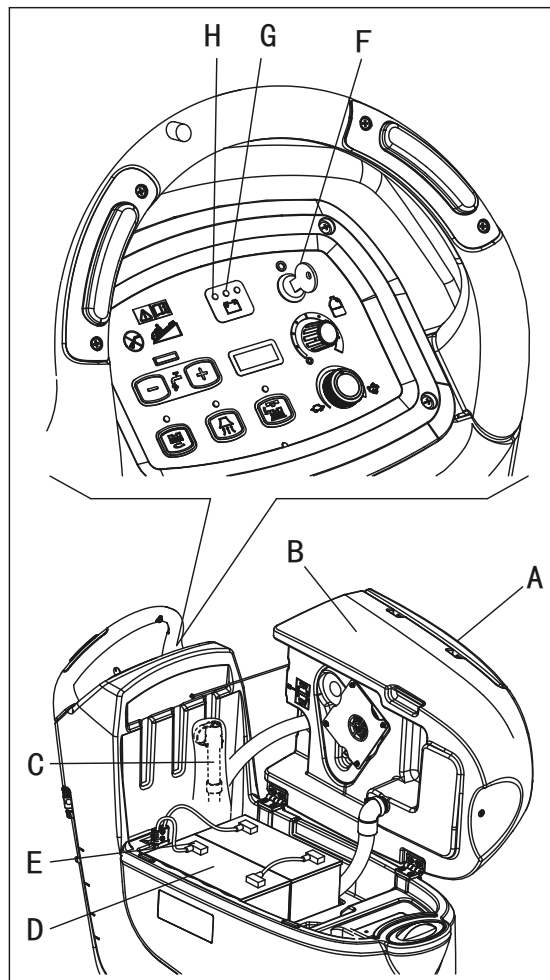


Figura 16

## Procedimientos preliminares

1. Abra la tapa (A, Fig. 16) y compruebe si el depósito de agua sucia (B) está vacío, de lo contrario vacíelo mediante la manguera de desagüe (C).
2. Conduzca la máquina a una superficie nivelada.
3. Gire la llave de ignición (F) a la posición «0».
4. Levante la tapa con cuidado (B).
5. Para baterías **HÚMEDAS** únicamente:
  - Compruebe el nivel de electrolito en el interior de las baterías (D); si es necesario, rellene a través de las tapas (E).
  - Deje todas las tapas de la batería (E) abiertas hasta la próxima carga.
  - Si es necesario, limpie la superficie externa de las baterías (D).
6. Cargue las baterías de acuerdo con el siguiente procedimiento.

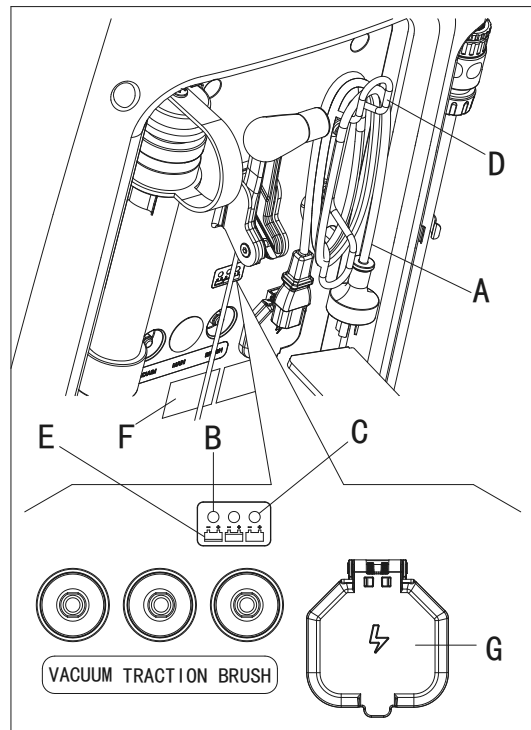


**Cargar las baterías con un cargador instalado en la máquina**

7. Conecte el cable del cargador de baterías (A, Fig. 17) a la red eléctrica (G) (la frecuencia y el voltaje de la red eléctrica debe ser compatible con los valores del cargador de baterías que aparecen en la placa de número de serie de la máquina (F)). Cuando el cargador de baterías está conectado a la red eléctrica, todas las funciones de la máquina se desactivan automáticamente. Si la luz de aviso roja (B) en el panel de control del cargador de baterías permanece iluminada, esto significa que el cargador está cargando las baterías.
8. Cuando se ilumine la luz de aviso verde (C), la carga de la batería se ha completado.
9. Una vez que haya terminado la carga de la batería, desconecte el cable del cargador de baterías (A) de la red eléctrica (G) y enróllelo alrededor de la carcasa (D).
10. Baje el depósito con cuidado.

**NOTA**

Para obtener más información sobre el funcionamiento del cargador de baterías (E, Fig. 17), consulte el manual correspondiente.

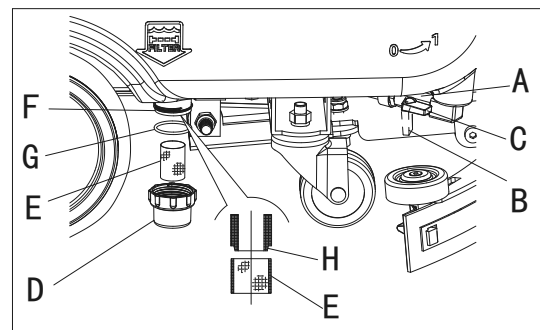
**Figura 17****LIMPIAR EL CEPILLO/ALMOHADILLA****¡PRECAUCIÓN!**

Es aconsejable usar guantes de protección al limpiar el cepillo/ almohadilla, ya que puede haber escombros cortantes.

1. Desmonte el cepillo/almohadilla de la máquina, tal y como se indica en el capítulo Uso.
2. Limpie y lave el cepillo/almohadilla con agua y detergente.
3. Compruebe que los cepillos/almohadillas están en condiciones de uso y no excesivamente desgastados; si es necesario, cámbielos.

**LIMPIAR EL FILTRO DE SOLUCIÓN**

1. Conduzca la máquina a una superficie nivelada.
2. Asegúrese de que la máquina está apagada y la llave de encendido (54) ha sido retirada.
3. Cierre la tapa de solución (A, Fig. 18) debajo de la máquina, detrás de la rueda trasera derecha. La tapa (A) está cerrada cuando está en la posición (B) y abierta cuando está en la posición (C).
4. Retire la cubierta transparente (D) y a continuación retire el colador del filtro (E). Límpielos y móntelos en el soporte (F).

**Figura 18****NOTA**

El colador del filtro (E) debe ser colocado correctamente en la carcasa (H) del soporte (F).

5. Abra la tapa (A).

## LIMPIEZA DE LA ESCOBILLA DE GOMA

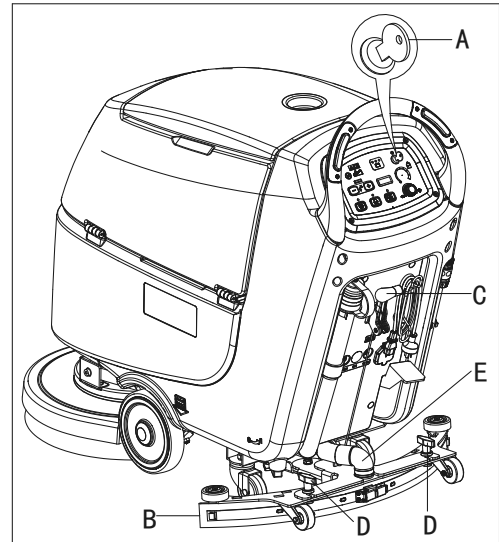
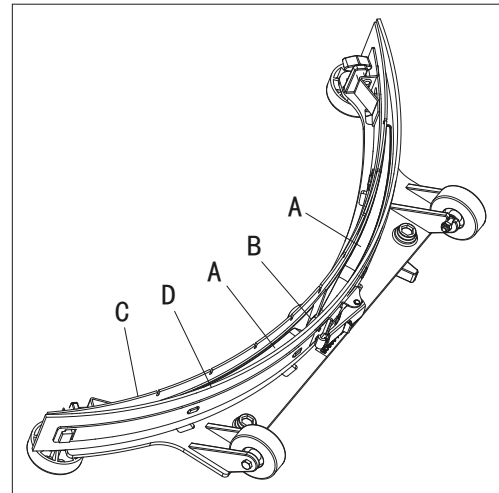
**NOTA**

La escobilla de goma debe estar limpia y sus láminas deben estar en buenas condiciones con el fin de conseguir un buen secado.

**¡PRECAUCIÓN!**

Es aconsejable usar guantes de protección al limpiar la escobilla de goma, ya que puede haber escombros cortantes.

1. Conduzca la máquina a una superficie nivelada.
2. Gire la llave de ignición (A, Fig. 19) a la posición «0».
3. Baje la escobilla de goma (B) usando la palanca (C).
4. Afloje las perillas (D) y desmonte la escobilla de goma (B).
5. Desconecte el tubo de aspiración (E) de la escobilla de goma.
6. Limpie el escurrido de acero o aluminio (Fig. 20). Limpie especialmente los compartimentos (A) y el orificio (B). Compruebe si la lámina delantera (C) y la posterior (D) están íntegras o tienen cortes y grietas; reemplácelas si es necesario (consulte el procedimiento en el siguiente apartado).
7. Monte la escobilla de goma en el orden inverso al desmontaje.

**Figura 19****Figura 20**

## INSPECCIÓN Y CAMBIO DE LAS LÁMINAS DE LA ESCOBILLA DE GOMA

1. Limpie el escurridor de acero o de aluminio, tal y como se indica en el apartado anterior.
2. Compruebe si los bordes (E, Fig. 22) de la lámina delantera (C) y los bordes (F) de la lámina posterior (D) están en el mismo nivel, en su longitud; si es necesario ajuste su altura de acuerdo con el siguiente procedimiento:
  - Retire la barra de unión (G), desenganche los elementos de fijación (M) y ajuste la lámina posterior (D), luego enganche los elementos de fijación (M) y vuelva a instalar la barra de unión (G).
  - Afloje las perillas (I) y ajuste la lámina delantera (C), luego apriete las perillas.
3. Compruebe si se detectan signos de desgaste, cortes y grietas en la lámina delantera (C) y en la posterior (D); si es necesario reemplácelas de acuerdo con el siguiente procedimiento. Compruebe si la esquina frontal (J) de la lámina posterior (D) está desgastada; si es necesario, dé la vuelta a la lámina para sustituir la esquina desgastada con la íntegra. Si ambas las esquinas están demasiado desgastadas, reemplace la lámina de acuerdo con el siguiente procedimiento:
  - Retire la barra de unión (G), desenganche los elementos de fijación (M) y retire el listón de retención (K). A continuación, reemplace/dé la vuelta a la lámina posterior (D). Monte la lámina en el orden inverso al desmontaje.
  - Desenrosque las perillas (I) i retire el listón de retención (L), a continuación, reemplace la lámina delantera (C). Monte la lámina en el orden inverso al desmontaje. Después de la sustitución (o la vuelta) de la lámina, ajuste la altura como se muestra en el paso anterior.
4. Conecte el tubo de aspiración (A, Fig. 21) con la escobilla de goma.
5. Monte la escobilla de goma (B) y enrosque las perillas (C).
6. Si es necesario, ajuste el balance de la escobilla mediante la perilla de ajuste (D).

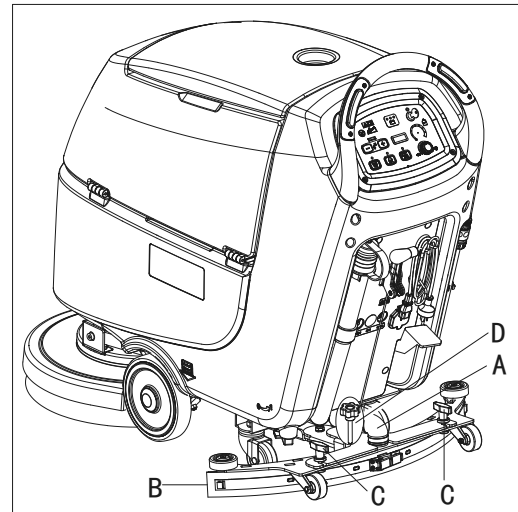


Figura 21

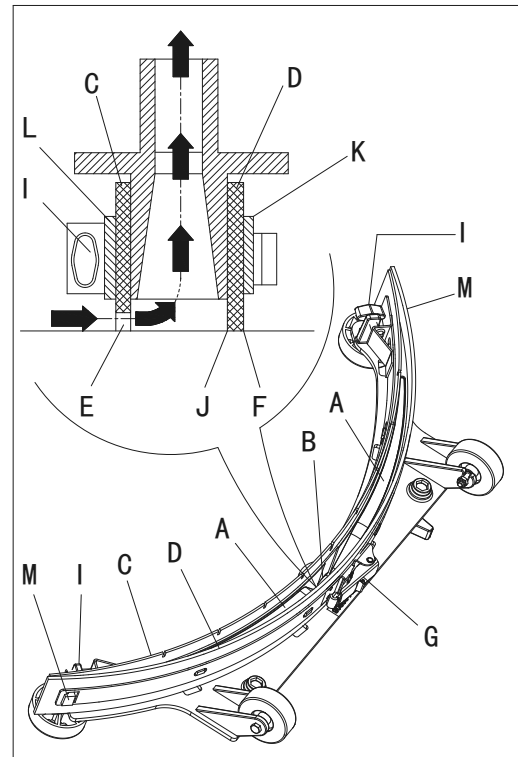


Figura 22

## REJILLA DEL DEPÓSITO Y DE LA ASPIRACIÓN CON LIMPIEZA DEL FLOTADOR E INSPECCIÓN DE LA JUNTA DE LA TAPA.

1. Conduzca la máquina a una superficie nivelada.
2. Asegúrese que la máquina está apagada y la llave de ignición (54) ha sido retirada.
3. Gire la tapa del tanque de recuperación (A, Figura 23) a la posición de 90 grados, donde se puede despegar del tanque, y luego desmonte el filtro de flotador de bola (P) del tanque.
4. Limpie la tapa del tanque de recuperación (A), tanque de recuperación (B), el tanque de agua limpia (C) y el marco de soporte de filtro del flotador (E). Vacíe el tanque de recuperación usando la manguera de vaciado (22).
5. Si es necesario, siga los símbolos "ABIERTO" y "CERRADO", como se muestra en la (Figura 23) para abrir la tapa inferior (F) del filtro del flotador de bola y luego limpiar la bola del flotador (D), el marco de soporte del filtro (E) y la esponja de filtro (I). Después de la limpieza, fijar la bola del flotador (D) en el marco de soporte del filtro (E) y luego alinee la ranura de marca (L) de la tapa inferior (F) del filtro del flotador con la ranura de marca (L) del marco de soporte del filtro del flotador (E). Enrosque la tapa inferior del filtro flotador de bola apretándola bien, y fijar la esponja del filtro (I) en el marco de soporte del filtro del flotador (E). Por último, conecte la manguera de aspiración de agua sucia (M).
6. Inspeccione la integridad de las tiras de sellado de los tanques.



### NOTA

La tira de sellado del tanque (G) sirve para producir el vacío dentro del tanque cuando funciona el motor de aspiración. El tanque debe ser sellado para poder absorber eficazmente el agua del suelo hasta el depósito de recuperación.

7. Compruebe si la superficie de contacto de la tira de sellado (G) de sellado es íntegra y el sellado es suficiente. Si es necesario, saque la tira de sellado del tanque a través de la ranura (H) y reemplácela. Aplique una nueva tira de sellado como se muestra en la (Figura 23), la junta debe estar de vuelta en la zona media.
8. Cierre la tapa del tanque de recuperación (A).

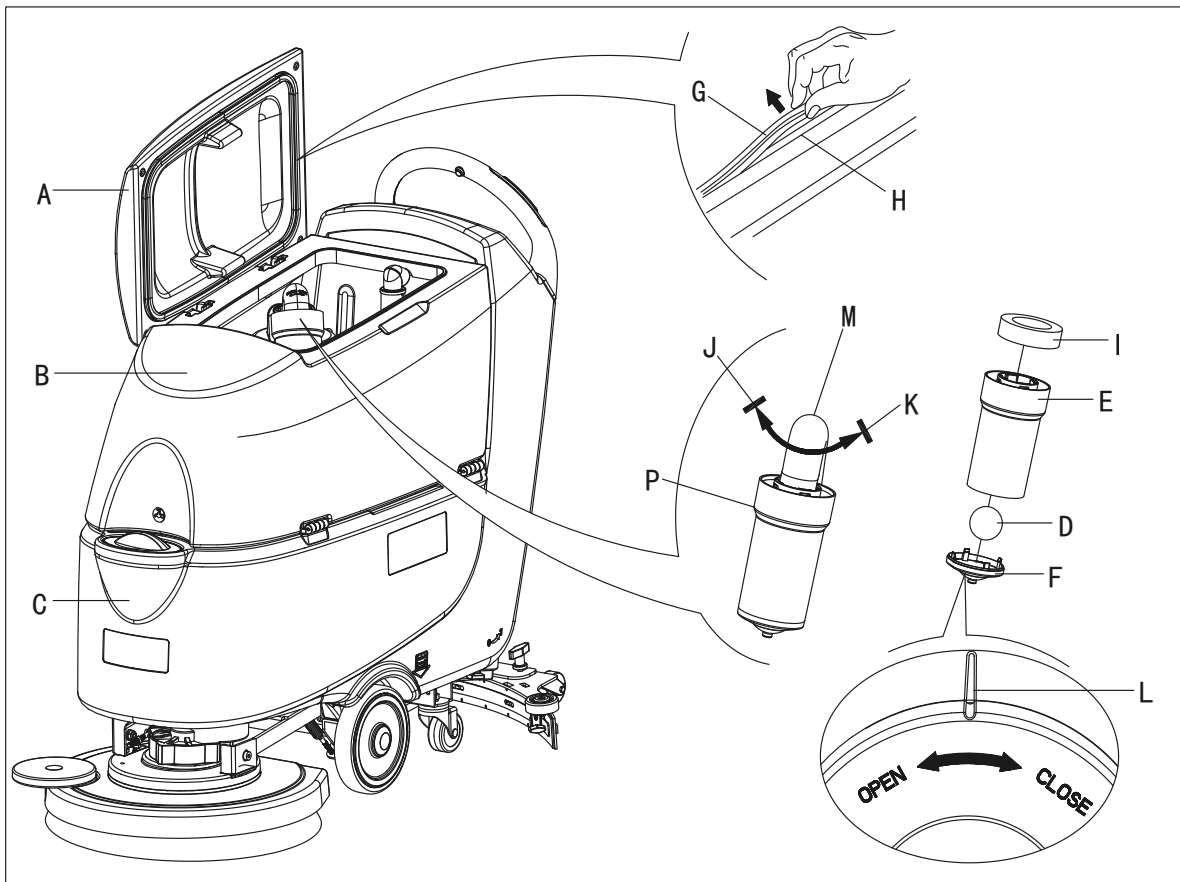


Figura 23

## LIMPIAR EL DEPÓSITO DE DETERGENTE

(Para máquinas con Sistema de Mezclado Químico)

Limpie el depósito de detergente (G, Fig. 24) como se indica a continuación.

1. Conduzca la máquina a una superficie nivelada.
2. Gire la llave de ignición (A) a la posición «0».
3. Abra la tapa (B) y compruebe si el depósito de agua sucia (C) está vacío, si es necesario vacíelo mediante la manguera de desagüe (D). Cierre la tapa (B).
4. Levante la tapa con cuidado (C).
5. Desenrosque el tapón (E) y desconecte la manguera (F) del depósito (G).
6. Retire el depósito.
7. Lave el depósito en la zona de vertido designada.
8. Monte el depósito (G) y conecte la manguera (F).
9. Después de vaciar el depósito de detergente, vacíe el Sistema de Mezclado Químico también para hacer el sistema funcionar solamente con agua limpia.

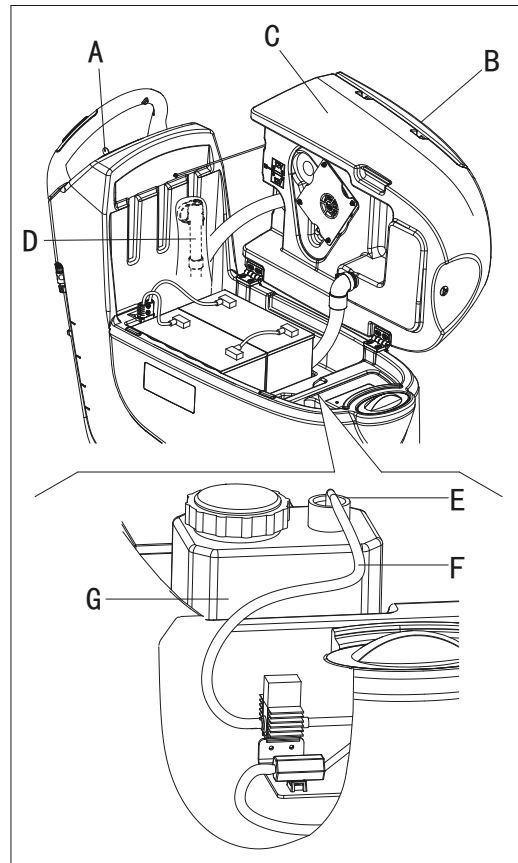


Figura 24

## REGISTRO DE LAS HORAS FUNCIONAMIENTO DE LA MÁQUINA

1. Gire la llave de ignición (A, Fig. 25) a la posición «I».
2. Pulse el interruptor (B) y compruebe el cronómetro (C) para ver el número total de horas de trabajo (fregado/secado) realizadas por la máquina.
3. Pulse el interruptor (B) otra vez.
4. Gire la llave de ignición (A) a la posición «0».

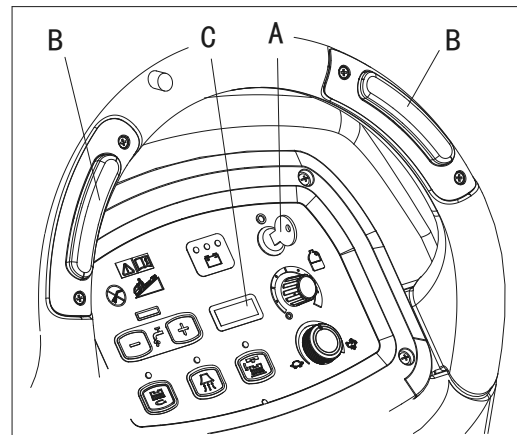
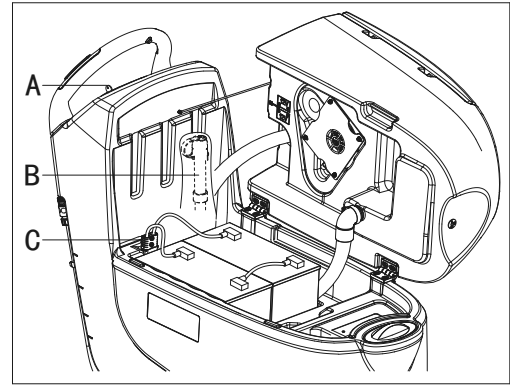
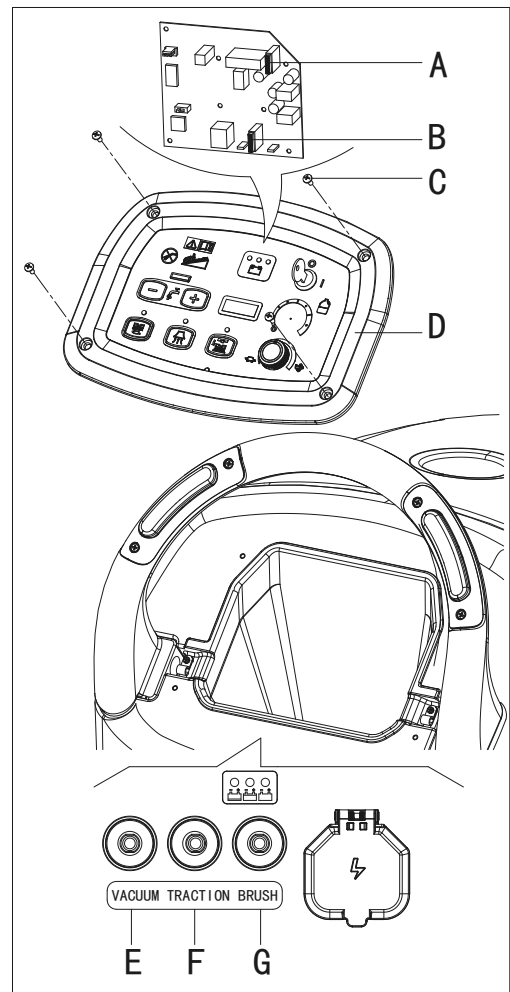


Figura 25

**INSPECCIÓN/CAMBIO DEL FUSIBLE**

1. Gire la llave de ignición (A, Fig. 26) a la posición «0».
2. Desconecte el cable de alimentación (C, Fig. 26) de la red eléctrica.
3. Retire los tornillos (C, Fig. 27) en el panel de control (D), a continuación, dé la vuelta al Tablero del panel de control (PCB) para encontrar el fusible (A, B, Fig. 27).
4. Inspeccione/cambie los siguientes fusibles:
  - A) Fusible F1, fusible de circuito de baja tensión: (5A)
  - B) Fusible F3, fusible de liberación del cepillo: (20A) (sólo para máquina de disco)
  - B) Fusible F3, Fusible del cepillo: (5A) (sólo para máquina orbital)
5. Lleve a cabo los pasos de 1 a 3 en el orden inverso.
6. Inspeccione/presione hacia abajo o cambie los siguientes disyuntores:
  - E) Disyuntor F5, disyuntor del motor de aspiración: (30A)
  - F) • Disyuntor F4, disyuntor del sistema de accionamiento: (12A) (\*) (sólo para máquina de disco)
    - Interruptor F4, sistema de tracción, interruptor de circuito: (17A) (\*) (sólo para máquina orbital)
  - G) Disyuntor F2, disyuntor del motor del cepillo: (30A)

(\*): Solo para máquinas con tracción

**Figura 26****Figura 27**

**ACCESORIOS/OPCIONES**

Además de los componentes estándar, la máquina puede equiparse con los siguientes accesorios/opciones, de acuerdo con su uso específico:

Para más información sobre los accesorios opcionales mencionados anteriormente, póngase en contacto con un distribuidor autorizado.

**ACCESORIOS/OPCIONES**

Consulte la sección «Lista de piezas»

1. Baterías HÚMEDAS o de GEL/AGM
2. Conjunto de fregona y basura
3. Almohadillas de diferentes materiales
4. Sistema de Mezclado Químico
5. Caja de recogida de residuos

**RESOLUCIÓN DE PROBLEMAS**

PROBLEMA	Causa probable	Remedio
Los motores no arrancan; no se iluminan las luces de aviso.	El conector de la batería está desconectado.	Conecte el conector de la batería.
	Las baterías están completamente descargadas.	Cargue las baterías
La máquina no se mueve (Solo para máquinas con tracción)	La máquina se ha encendido con la llave de ignición y manteniendo pulsado uno de los interruptores.	Gire la llave de ignición a la posición «0», luego vuelva a intentar a poner la máquina en marcha sin pulsar los interruptores.
Los tres indicadores de carga están parpadeando al mismo tiempo.	Sobrecarga del motor del cepillo.	Utilice cepillos menos agresivos.
	Hay cuerpos extraños (hilos enredados, etc.) que pueden impedir la rotación del cepillo.	Limpie el eje del cepillo.
Los cepillos no funcionan, la luz de aviso roja está iluminada.	Las baterías están descargadas.	Cargue las baterías
La aspiración de agua sucia es insuficiente.	El depósito de agua sucia está lleno.	Vacíe el depósito.
	La manguera está desconectada de la escobilla de goma.	Conéctelo.
	La rejilla de aspiración está obstruida o el flotador está atascado y cerrado.	Limpie la rejilla y compruebe el flotador.
	La escobilla de goma está sucia o las láminas están dañadas y desgastadas.	Limpie y compruebe la escobilla de goma.
	La tapa del depósito no está cerrada bien, o la junta está dañada o el tubo curvado está obstruido.	Cierre la tapa bien, o cambie la junta o limpie el tubo curvado.
El depósito de recogida de agua sucia está sucio.	Límpielo.	
El flujo de solución a los cepillos no es suficiente.	El filtro de solución/agua limpia está sucio.	Limpie el filtro.
La escobilla de goma deja rastros en el suelo.	Bajo las láminas de la escobilla de goma se han acumulado escombros.	Elimine los escombros.
	Las láminas de la escobilla están desgastadas, astilladas o rasgadas.	Reemplace las láminas.
	La escobilla de goma no se ha ajustado con la perilla.	Ajuste.

**NOTA**

**Máquina con cargador de baterías instalado, no puede funcionar si el cargador no está a bordo. En caso de mal funcionamiento del cargador de baterías, póngase en contacto con un centro de servicio autorizado.**

**Para más información consulte el Manual de servicio, disponible en cualquier Centro de Servicio.**

**DESGUACE**

Deseche la máquina mediante una institución de tratamiento de residuos calificada.

Antes de desechar máquina, por favor lleve y separe el subconjunto a continuación que debe eliminarse en forma adecuada según las leyes y reglamentos pertinentes.

- Batería
- Cepillo/Soprote de la almohadilla
- Manguera y piezas de plástico
- Componentes eléctricos y electrónicos (\*)

(\*) Por favor, póngase en contacto con el centro de servicio de la compañía para desechar los componentes eléctricos y electrónicos.

## TABLE DES MATIÈRES

<b>INTRODUCTION</b> .....	<b>49</b>
CONTENU DU MANUEL ET BUT .....	49
COMMENT GARDER CE MANUEL .....	49
DÉCLARATION DE CONFORMITÉ.....	49
ACCESSOIRES ET ENTRETIEN.....	49
CHANGEMENT ET AMÉLIORATION .....	49
CHAMP D'APPLICATION .....	49
DONNÉES D'IDENTIFICATION DE LA MACHINE .....	49
TRANSPORT ET DÉBALLAGE .....	50
<b>SÉCURITÉ</b> .....	<b>50</b>
SYMBOLES VISIBLES SUR LA MACHINE.....	50
SYMBOLES QUI APPARAISSENT SUR LE MANUEL D'UTILISATION .....	50
CONSIGNES GÉNÉRALES DE SÉCURITÉ .....	51
<b>DESCRIPTION DE LA MACHINE</b> .....	<b>53</b>
STRUCTURE DE LA MACHINE.....	53
PANNEAU DE COMMANDE .....	54
FENÊTRE D'AFFICHAGE DU VOYANT DU CHARGEUR.....	54
PARAMÈTRES TECHNIQUES.....	55
<b>GUIDE D'UTILISATION</b> .....	<b>56</b>
VÉRIFICATION/RÉGLAGE DE LA BATTERIE SUR UNE NOUVELLE MACHINE.....	56
INSTALLATION DES BATTERIES ET RÉGLAGE DU TYPE DE BATTERIE (HUMIDE OU GEL/AGM).....	57
INSTALLATION ET DÉINSTALLATION DE LA BROSSE / DU SUPPORT DE DISQUES.....	58
AJUSTEMENT DE L'ÉQUILIBRE DE LA RACLETTE.....	58
REPLISSAGE DU RÉSERVOIR AVEC UNE SOLUTION OU DE L'EAU DE LAVAGE.....	59
LE REPLISSAGE DU RESERVOIR DE DETERGENT (POUR LES MACHINES AYANT UN SYSTEME DE MELANGE DE PRODUITS CHIMIQUES).....	59
DÉMARRAGE/ARRÊT DE LA MACHINE.....	60
FONCTIONNEMENT DE LA MACHINE (LAVAGE ET SÉCHAGE) .....	61
VIDANGE DU RÉSERVOIR .....	62
APRÈS UTILISATION DE LA MACHINE .....	63
LONGUE INACTIVITÉ DE LA MACHINE .....	63
PREMIÈRE PÉRIODE D'UTILISATION .....	63
<b>ENTRETIEN</b> .....	<b>64</b>
TABLE D'ENTRETIEN PRÉVU.....	64
CHARGEMENT DES BATTERIES.....	65
NETTOYAGE DE LA BROSSE/DU SUPPORT DE DISQUE.....	66
NETTOYAGE DU FILTRE DE SOLUTION .....	66
NETTOYAGE DE LA RACLETTE .....	67
VÉRIFICATION ET REMPLACEMENT DE LA LAME DE LA RACLETTE.....	68
NETTOYAGE DU RÉSERVOIR ET DE LA GRILLE D'ASPIRATION AVEC LE FLOTTEUR, VÉRIFICATION DU JOINT DE COUVERCLE.....	69
NETTOYAGE DU RÉSERVOIR DE DÉTERGENT .....	70
VÉRIFICATION DE L'HEURE DE TRAVAIL DE LA MACHINE .....	70
VÉRIFICATION/REMPLEMENT DU FUSIBLE .....	71
ACCESSOIRES/OPTIONS .....	72
<b>DÉPANNAGE</b> .....	<b>72</b>
<b>MISE À LA FERRAILLE</b> .....	<b>72</b>



## INTRODUCTION



### REMARQUE

Les chiffres entre parenthèses renvoient aux éléments présentés dans le chapitre Description de la Machine.

## CONTENU DU MANUEL ET BUT

Le but de ce Mode d'Emploi est de fournir à l'opérateur des informations nécessaires afin d'utiliser correctement la machine et en toute sécurité. Il contient des informations sur des données techniques, la sécurité, l'exploitation, le stockage, la maintenance, les pièces de rechange et comment mettre au rebut.

Avant d'effectuer toute opération sur la machine, peu importe les opérateurs et les techniciens qualifiés doivent lire attentivement ce manuel. Contacter le centre d'entretien de notre société pour toute question concernant ce manuel ou pour toute information complémentaire qui est nécessaire.

Les opérateurs ne doivent pas effectuer de procédures qui devraient être faites par des techniciens qualifiés. Notre société ne sera pas responsable des dommages provenant du non-respect de cette interdiction.

## COMMENT GARDER CE MANUEL

Le manuel doit être conservé près de la machine, dans une enveloppe spéciale, loin de liquides et d'autres substances qui peuvent causer des dommages à celle-ci.

## DÉCLARATION DE CONFORMITÉ

La déclaration de conformité est fournie avec la machine et certifie la conformité de la machine rapport à la loi en vigueur.



### REMARQUE

Les copies de la déclaration originale de conformité sont fournies avec la documentation de la machine.

## ACCESSOIRES ET ENTRETIEN

Toutes les opérations nécessaires, des procédures d'entretien et de réparation doivent être effectuées par un personnel qualifié ou par le centre d'entretien désigné de notre société. SEULS les pièces détachées et les accessoires autorisés devraient être utilisés.

Contacter le service à la clientèle de notre société pour tout service ou achat d'accessoires ou pièces détachées si nécessaire.

## CHANGEMENT ET AMÉLIORATION

Nous nous sommes engagés à l'amélioration continue de ses produits, la société se réserve le droit de modifier et d'améliorer la machine sans même vous en informer.

## CHAMP D'APPLICATION

L'autolaveuse s'applique à l'usage commercial et industriel. Il est adapté pour le nettoyage de sols lisses et solides, manipulé par un personnel qualifié en matière de connaissance des règles de sécurité. Il ne convient pas pour une utilisation en extérieur ou pour le nettoyage de la moquette ou des sols rugueux.

## DONNÉES D'IDENTIFICATION DE LA MACHINE

Le numéro de série et le nom du modèle de la machine sont indiqués sur l'étiquette de série.

Ces informations sont utiles. Utiliser le tableau suivant pour noter les données d'identification de la machine, lors de communication nécessitant des pièces de rechange pour la machine.

MODÈLE DE LA MACHINE.....
NUMÉRO DE SÉRIE DE LA MACHINE.....

## TRANSPORT ET DÉBALLAGE

Lorsque le transporteur livre la machine, s'assurer que l'emballage et la machine sont à la fois intacts et en bon état. En cas de dommage, porter à la connaissance du transporteur les dommages et avant d'accepter les marchandises, se réserver le droit en termes de compensation des dommages.

Suivre attentivement les instructions sur l'emballage, lors du déballage de la machine.

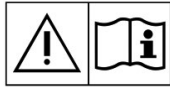
Vérifier l'emballage pour assurer que les éléments suivants sont inclus:

1. Documentations techniques, y compris le manuel de Guide de Démarrage Rapide, Instructions pour Utiliser le Disque et manuel du chargeur embarqué, si le chargeur embarqué est équipé.
2. Câble du chargeur, si le chargeur embarqué est équipé.
3. Deux fusibles, le fusible du circuit électrique (5A) et le fusible du moteur de brosse (20A).

## SÉCURITÉ

Les symboles suivants indiquent les situations potentiellement dangereuses. Toujours lire attentivement ces informations et prendre toutes les précautions nécessaires pour protéger les personnes et les biens.

### SYMBOLES VISIBLES SUR LA MACHINE



#### ATTENTION!

Lire toutes les instructions avec attention avant d'effectuer toute opération sur la machine.



#### ATTENTION!

Ne pas laver la machine avec des jets d'eau directs ou sous pression.



#### ATTENTION!

Ne pas utiliser la machine sur des pentes ayant une inclinaison dépassant ce qui est défini dans le cahier des charges.

### SYMBOLES QUI APPARAISSENT SUR LE MANUEL D'UTILISATION



#### DANGER!

Cela indique une situation dangereuse avec risque de mort pour l'opérateur.



#### ATTENTION!

Cela indique un risque potentiel de blessure pour les personnes.



#### ATTENTION!

Cela indique un avertissement ou une remarque concernant des fonctions importantes ou utiles. Prêter l'attention aux paragraphes marqués par ce symbole.



#### REMARQUE

Cela indique une remarque sur des fonctions importantes ou utiles.



#### CONSULTATION

Ceci indique la nécessité de se référer aux instruction d'utilisation avant d'entreprendre toute procédure.

## CONSIGNES GÉNÉRALES DE SÉCURITÉ

Les avertissements et les mises en garde spécifiques, pour informer des dommages potentiels aux personnes et à la machine, sont indiqués ci-dessous.



### DANGER!

- Cette machine doit être exploitée par un personnel qualifié et autorisé selon les conseils du manuel.
- Avant d'effectuer toute opération de nettoyage, d'entretien, de réparation ou de remplacement, lire attentivement toutes les instructions, s'assurer d'éteindre la machine et de débrancher le connecteur de la batterie.
- Ne pas faire fonctionner la machine à proximité de poudres, liquides ou vapeurs toxiques, dangereux, inflammables et/ou explosifs. Cette machine ne convient pas pour la collecte des poudres dangereuses.
- Ne pas porter de bijoux, lorsque vous travaillez à proximité de composants électriques.
- Ne pas travailler sous la machine soulevée, sans la supporter avec des supports de sécurité.
- Lors de l'utilisation de batteries au plomb (HUMIDES), elles peuvent émettre des gaz inflammables en utilisation normale, vous devez éloigner les étincelles, les flammes, les substances fumigènes et les éléments rayonnants, éclairants et brûlants des batteries.
- Quand vous chargez les batteries au plomb (HUMIDES), elles peuvent émettre de l'hydrogène gazeux ce qui peut provoquer des explosions. Doit assurer que l'environnement de chargement soit bien aéré et éloigné des flammes nues.



### ATTENTION!

- Inspecter attentivement la machine avant chaque utilisation. Veiller à ce que tous les composants aient été bien assemblés avant l'utilisation. Ou ceci peut causer des dommages aux personnes et aux biens.
- Avant d'utiliser le chargeur de batterie, veiller à ce que les valeurs de fréquence et de tension indiquées sur l'étiquette du numéro de série de la machine correspondent à celles du secteur.
- Ne jamais déplacer la machine en tirant sur le câble du chargeur de batterie. Ne pas laisser le câble à travers une porte fermée, ou enrouler sur des bords ou des coins pointus. Ne pas faire fonctionner la machine sur le câble du chargeur de batterie. Éloigner le câble du chargeur de batterie des surfaces chauffées.  
Ne pas charger les batteries si le câble de chargeur de batterie ou la fiche sont endommagés.
- Pour réduire le risque d'incendie, de choc électrique ou de blessure, s'assurer que la machine est éteinte avant de partir.
- Utiliser ou stocker la machine en intérieur dans des conditions sèches, il est interdit de l'utiliser en extérieur.
- La température de stockage et celle de travail doit être comprise entre 0 ° C et +40 ° C, l'humidité de l'air doit être comprise entre 30% - 95%.
- Ne pas utiliser la machine sur des pentes avec une inclinaison dépassant ce qui est défini cahier des charges.
- Lors de l'utilisation et de la manipulation de détergents de nettoyage de sols, suivre les instructions sur les étiquettes des bouteilles de détergent et porter des gants et des protections appropriés.
- Utiliser des brosses et les support de disque fournis avec la machine ou définis dans le manuel. L'utilisation d'autres brosses ou support de disque pourrait diminuer la sécurité.

- En cas de dysfonctionnements de la machine, veiller à ce que ceux-ci ne soient pas dus à un manque d'entretien. Si nécessaire, demander l'assistance du personnel autorisé ou d'un centre d'entretien autorisé.
- Prendre toutes les précautions nécessaires pour empêcher les cheveux, les bijoux et les vêtements amples d'être happés par les pièces en mouvement de la machine.
- Ne pas utiliser la machine dans endroits particulièrement poussiéreux.  
Ne pas laver la machine avec des jets d'eau directs ou sous pression, ou avec des substances corrosives.
- Ne pas heurter des étagères ou des échafaudages, en particulier là où un risque de chute d'objets existe.
- Ne pas incliner de récipients de liquide sur la machine, utiliser le porte-boîte pertinent.
- Pour éviter d'endommager le plancher, ne pas laisser la brosse/le support de disque fonctionner alors que la machine est à l'arrêt.
- En cas d'incendie, utiliser un extincteur à poudre. Ne pas utiliser les extincteurs liquides.
- Ne pas enlever ou modifier les autocollants de la machine.
- Ne pas jouer avec les gardes de sécurité de la machine et suivre scrupuleusement les instructions d'entretien ordinaires.
- Faire attention lors du transport de la machine, lorsque la température est inférieure au point de congélation. L'eau, dans le réservoir de récupération et dans les tuyaux, pourrait geler et causer de sérieux dommages à la machine.
- Si les pièces détachées doivent être remplacées, commander les pièces détachées D'ORIGINE auprès de Concessionnaires ou de Détaillants agréés.
- Retourner la machine au centre d'entretien, si elle ne fonctionne pas comme d'habitude ou si elle est dans un état tel que endommagée, placée à l'extérieur, jetée dans l'eau.
- Pour assurer un fonctionnement adéquat et sûr de la machine, l'entretien prévu indiqué dans le chapitre pertinent de ce Manuel, doit être effectué par le personnel autorisé ou un centre d'entretien autorisé.
- La machine doit être correctement mise au rebut, en raison de la présence de matières toxiques nuisibles (batteries, etc.), qui sont soumises à des normes qui exigent l'élimination dans des centres spéciaux (voir le chapitre Mise à la ferraille).
- Cette machine est uniquement un outil de nettoyage, et non pour toute autre sorte d'utilisation.
- Toujours garder les ouvertures exemptes de poussière, de poils et de tout autre corps étranger qui pourrait réduire le flux d'air. Ne pas utiliser la machine si les ouvertures sont bouchées.
- Uniquement utiliser la machine lorsqu'un éclairage adéquat est fourni.
- Cette machine n'est pas conçue pour être utilisée par des personnes à capacités physiques, sensorielles ou intellectuelles réduites ou sans expérience ni connaissances, à moins qu'elles soient sous la surveillance ou bien qu'elles aient été informées quant à l'utilisation de l'appareil de manière sûre, par une personne responsable de leur sécurité.
- Une attention particulière est nécessaire lorsqu'elle est utilisée à proximité des enfants.
- Les enfants doivent rester sous surveillance afin de s'assurer qu'ils ne jouent pas avec la machine.
- Tout en utilisant cette machine, prendre soin de ne pas causer de dommages aux personnes ou aux objets.

**DESCRIPTION DE LA MACHINE**

**STRUCTURE DE LA MACHINE (comme représenté sur la Figure 1)**

- |   |   |
|---|---|
| <ol style="list-style-type: none"> <li>1. Couvercle du réservoir de récupération</li> <li>2. Porte-boîte</li> <li>3. Guidon</li> <li>4. Panneau de contrôle</li> <li>5. Levier de levage/d'abaissement de la raclette</li> <li>6. Couplage type "Gardena"</li> <li>7. Support du câble d'alimentation</li> <li>8. Câble d'alimentation</li> <li>9. Vidange de la solution et tuyau de contrôle du niveau</li> <li>10. Pédale de levage/d'abaissement de la tête de lavage (seulement pour machine à disque)</li> <li style="padding-left: 20px;">e) Position de la pédale lorsque la tête de lavage est soulevée</li> <li style="padding-left: 20px;">f) Position de la pédale lorsque la tête de lavage est abaissée</li> <li>11. Boutons de raclette</li> <li>12. Plaque de numéro de série/ données techniques</li> <li>13. Tuyau d'aspiration de la raclette</li> <li>14. Raclette</li> <li>15. Bouton de réglage de l'équilibre de la raclette</li> <li>16. Robinet de solution/d'eau propre</li> <li>17. Roues arrière directrices</li> <li>18. Filtre de solution</li> </ol> | <ol style="list-style-type: none"> <li>19. Roues avant sur l'essieu fixe (A).<br/>Roues motrices (B)</li> <li>20. Brosse/support de disque</li> <li>21. Tête de lavage</li> <li>22. Tuyau de vidange de l'eau de récupération</li> <li>23. Réservoir de la solution</li> <li>24. Charnière</li> <li>25. Réservoir de récupération</li> <li>26. Support du filtre</li> <li>27. Support de tuyau de remplissage</li> <li>28. Couvercle du filtre</li> <li>29. Nettoyant pour plinthes (*)</li> <li>30. Joint du couvercle du réservoir</li> <li>31. Boîte de collecte des débris</li> <li>32. Garde anti-éclaboussures 510 mm</li> <li>33. Filtre à flotteur</li> <li>34. Porte balai et bac (*)</li> <li>35. Électrovanne</li> </ol> <p>(*): Optionnel<br/> (A): Uniquement pour les machines sans traction<br/> (B): Uniquement pour les machines avec traction</p> |
|---|---|

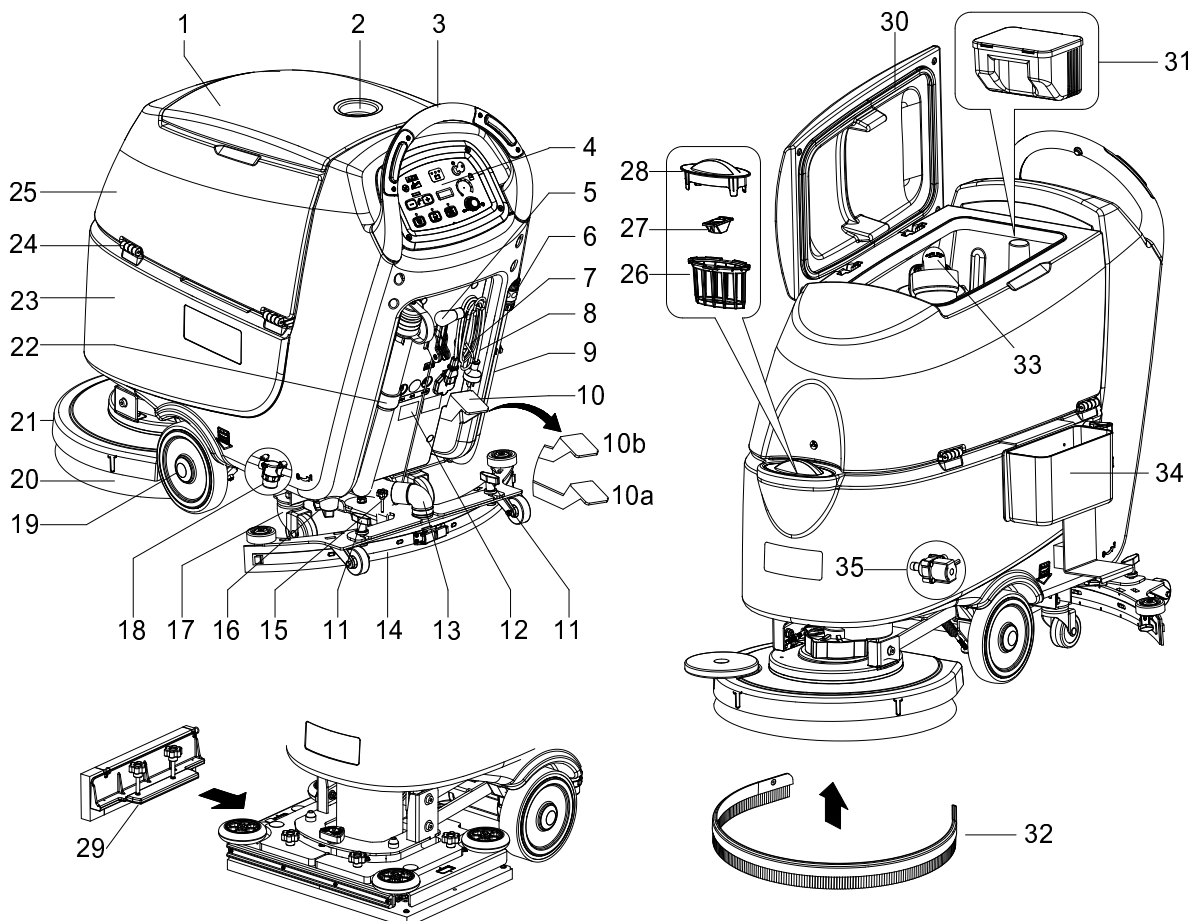
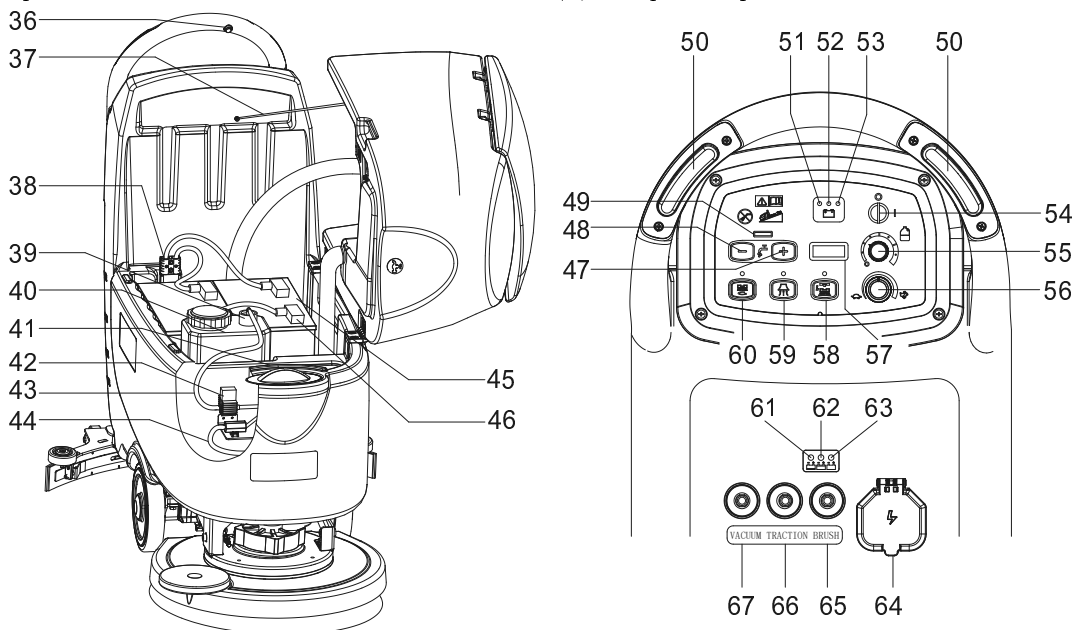


Figure 1

**PANNEAU DE COMMANDE (comme représenté sur la Figure 2)**

- 36. Commutation recul de la machine (B)
- 37. Câble de sécurité du réservoir
- 38. Connecteur de batterie (rouge).
- 39. Bouchon de remplissage du réservoir de détergent (\*\*)
- 40. Réservoir de détergent (\*\*)
- 41. Tableau de référence pour le détergent Dosage (\*\*)
- 42. Pompe de détergent (\*\*)
- 43. Réservoir de détergent - tuyau de raccordement de la pompe (\*\*)
- 44. Tuyau d'alimentation de détergent (\*\*)
- 45. Batteries
- 46. Bouchons de batterie
- 47. Commutateur d'augmentation du débit
- 48. Commutateur de réduction du débit
- 49. Indicateur de débit de solution
- 50. Commutateur de sûreté
- 51. Témoin lumineux de batterie déchargée (rouge)
- 52. Témoin lumineux de batterie partiellement déchargée (jaune)
- 53. Témoin lumineux de batterie chargée (vert)
- 54. Clé de contact (0 - I)
- 55. Bouton de réglage du débit du détergent (\*\*)
- 56. Régulateur de vitesse (B)
- 57. Compteur horaire
- 58. • Commutateur de déverrouillage de la Brosse/du Support de disque (seulement pour machine à disque)  
• Pression supplémentaire active (uniquement pour machine orbitale)
- 59. Commutateur du système d'aspiration
- 60. Commutateur de la brosse/du support de disque du système d'aspiration (seulement pour machine à disque)  
• Le plateau du tampon se déplace vers le haut / bas et le porte-brosse / porte-tampon et l'interrupteur du système d'aspiration (uniquement pour machine orbitale)
- 61. Témoin LED rouge de chargement
- 62. Témoin LED jaune de chargement
- 63. Témoin LED vert de chargement
- 64. Couverture de sécurité de la prise de charge
- 65. Limiteur de surcharge de la brosse
- 66. Limiteur de surcharge du secteur (B)
- 67. Limiteur de surcharge d'aspiration

(\*): Optionnel  
 (\*\*): Uniquement pour les machines ayant un système de mélange de produits chimiques (en option)  
 (A): Uniquement pour les machines sans traction  
 (B): Uniquement pour les machines avec traction



**FENÊTRE D’AFFICHAGE DU VOYANT DU CHARGEUR (comme montré sur la Figure 2)**

1. Au début de la charge, le voyant rouge (61) du chargeur s'allume normalement. C'est la première étape de charge.
2. Après un certain temps de charge, le voyant rouge (61) s'éteint, le voyant LED (62) jaune s'allume, ceci est la deuxième étape de la charge.
3. Après la charge, le voyant LED jaune (62) s'éteint, le voyant LED vert (63) s'allume pour indiquer que la batterie est complètement chargée.

**REMARQUE**

Quand vous chargez, si le voyant LED (62) jaune du chargeur clignote, cela peut être causé par la batterie ou le chargeur qui ne correspondent pas, la batterie n'est pas bien connectée, ou la sortie est court-circuitée.

Le voyant LED rouge du chargeur clignote peut être causé par le court-circuit interne du chargeur.



## CARACTERISTIQUES TECHNIQUES

MODÈLE	Unités	CA60 24B	CA60 20B	CA60 20D	CA60 20TD
Dimensions de l'emballage (L x l x H)	mm	1370x700x1300	1370x600x1300		
Hauteur de la machine	mm	1080			
Longueur de la machine	mm	1260			
Largeur de la machine (sans raclette)	mm	650	550		
Poids de la machine avec des réservoirs vides (sans batteries)	Kg	124	122	91	97
Poids total en charge (GVW)	Kg	243	241	208	214
Poids d'expédition sans batteries	Kg	170	154	121	127
Capacité de réservoir de la solution	Litre	61			
Capacité de réservoir de récupération	Litre	61			
Puissance du moteur d'aspiration	Watt	350			
Capacité d'aspiration	mm H <sub>2</sub> O	1200			
Pente admissible (Max)	%	2%			
Diamètre des roues avant	mm	200			
Diamètre de roue arrière	mm	76			
Niveau sonore	dB(A)	69±3			
Solution / débit (Max)	Litre / min	(0.7) (1.2) (1.7) (2.2)			
Largeur de travail	MM	610	510	530	
Largeur de la raclette	MM	760			
Diamètre de la brosse/du plateau	MM	610X360	510X360	530/508	
Puissance du moteur de la brosse	Watt	750		450	
Vitesse de la brosse	Tour par minute	2200		150	
Pression de la brosse/du plateau (Max)	Kg	40-50		27	23
Puissance du moteur de traction	Watt	250	/		150
Vitesse de travail	Km/h	0-3.2		/	
Vitesse d'avancement	Km / h	0-4		/	
Vitesse de marche arrière	Km / h	0-2		/	
Niveau de vibration de la poignée (Max)	m / S <sup>2</sup>	2.5		2.5	
Tension	V	24V			
Batteries (option)	Ah	105/130 WET, 105/140 AGM			
Charge ur de batterie	V/A	24V/13A			
Dimensions du compartiment de la batterie (L x l x H)	mm	350X350X300			

## GUIDE D'UTILISATION

**AVERTISSEMENT!**

En certains endroits de la machine il y a des plaques adhésives indiquant:

- DANGER!
- AVERTISSEMENT!
- ATTENTION!
- CONSULTATION

En lisant ce manuel, l'opérateur doit prêter une attention particulière aux symboles figurant sur les plaques. Ne pas couvrir ces plaques pour une raison quelconque et les remplacer immédiatement en cas de détérioration.

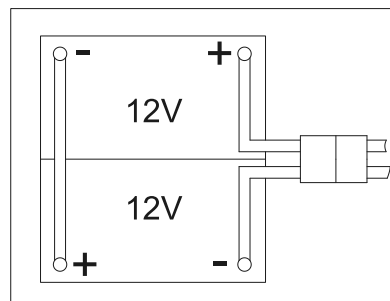
## VÉRIFICATION/RÉGLAGE DE LA BATTERIE SUR UNE NOUVELLE MACHINE

**AVERTISSEMENT!**

Les composants électriques de la machine peuvent être sérieusement endommagés si les batteries sont soit mal installées ou mal connectées. Les batteries doivent être uniquement installées par un personnel qualifié. Régler le circuit électronique de la fonction et le chargeur de la batterie intégrée selon le type de batteries utilisées (batteries HUMIDE ou GEL/AGM). Vérifier les batteries pour des dommages avant l'installation. Débrancher le connecteur de la batterie (38) et la fiche du chargeur de batterie (8). Manipuler les batteries avec grande précaution. Installer les bouchons de protection des bornes de la batterie fournis avec la machine.

**REMARQUE**

La machine nécessite deux batteries de 12 V, connectées selon le schéma (Figure. 3).



**Figure 3**

La machine peut être fournie dans l'un des modes suivants:

**A) Batteries (HUMIDES ou GEL/AGM) déjà installées et chargées**

1. Vérifier que les batteries soient connectées à l'appareil avec le connecteur (38).
2. Insérer la clé de contact (54) et la tourner sur "I". Si le témoin lumineux vert (53) s'allume, les batteries sont complètement chargées. Si le témoin lumineux LED jaune (52) ou rouge (51) s'allume, les batteries doivent être chargées (voir la procédure au chapitre Entretien).

**B) Sans batterie**

4. Acheter des batteries appropriées (Voir le paragraphe Données Techniques).
5. Pour le choix et l'installation des batteries, se tourner vers les détaillants de batteries qualifiés.
6. Régler la machine et le chargeur de batterie en fonction du type de batteries (HUMIDE ou GEL/AGM), comme indiqué dans le paragraphe suivant.



**INSTALLATION DES BATTERIES ET RÉGLAGE DU TYPE DE BATTERIE (HUMIDE OU GEL/AGM)**

Selon le type de batteries (HUMIDE ou GEL/AGM), réglez la machine comme suit:

**REMARQUE**



En ce qui concerne le réglage d'usine, vous trouverez le type de batterie à partir de l'affichage de l'heure de démarrage selon le tableau ci-dessus

1. Appuyez, en même temps, sur les deux boutons (A, Figure 4) et (B), Introduire la clé de contact (D) et mettez en position de marche, après 0,5 seconde, passez en mode de réglage de la batterie. Affichage LED pendant le réglage (C), Relâchez les boutons.
2. On peut changer de mode de 0 à 5 en appuyant sur le bouton (B), ou passer de 5 à 0 en appuyant sur le bouton (A) Une fois le réglage du mode batterie terminé, éteindre l'alimentation (D) et le nouveau réglage du mode batterie peut être sauvegardé automatiquement.
3. Le réglage du type de batterie est terminé.

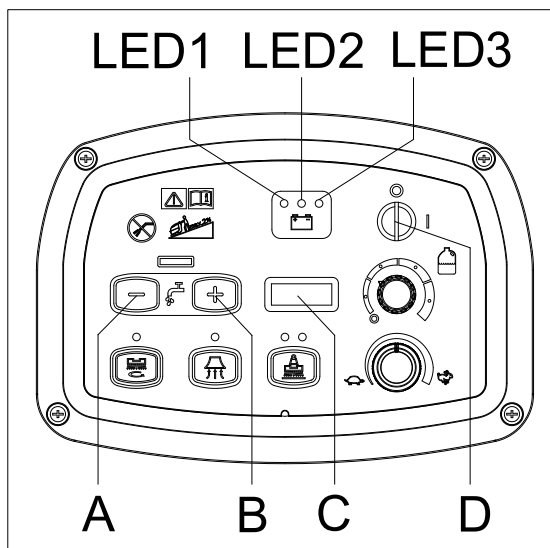


Figure 4

Mode	Type de batterie / fabricant de batterie	Courbe de charge de la batterie	Affichage LED pendant le réglage (C, Figure 4)	Affichage de l'heure de démarrage
0	WET	Courbe générale WET	WET 0	LED1 clignote deux fois
1	GEL/AGM	Courbe générale GEL / AGM	AGM 1	LED2 clignote deux fois
2	DISCOVER	DISCOVER	D 15 2	LED3 clignote deux fois
3	OPTIMA	OPTIMA	OPT 3	LED1 et LED2 clignotent deux fois
4	EXIDE	EXIDE	EXI 4	LED1 et LED3 clignotent deux fois
5	FULLRIVER	FULLRIVER	FUL 5	LED2 et LED3 clignotent deux fois

**Installation de la batterie**

4. Ouvrir le couvercle du réservoir de récupération (1) et vérifier si le réservoir de récupération (25) est vide; sinon, le vider par le tuyau de vidange (22).
5. Fermer le couvercle du réservoir de récupération (1).
6. Renverser le réservoir de récupération (25) avec précaution.
7. La machine est livrée avec des câbles appropriés pour installer les batteries de 2x12 V. Mettre soigneusement les batteries dans le compartiment, puis les installer correctement.
8. Acheminer et installer le câble de la batterie comme indiqué dans (Figure 3), puis serrer soigneusement l'écrou sur chaque borne de la batterie.
9. Placer le capot de protection sur chaque borne, puis connecter le connecteur de la batterie (38).
10. Abaisser avec précaution le réservoir de récupération (25).

**Chargement des batteries**

11. Charger les batteries. (Voir les procédures au chapitre sur l'entretien).

**INSTALLATION ET DÉINSTALLATION DE LA BROSSE / DU SUPPORT DE DISQUE (seulement pour machine à disque)**



**REMARQUE**

Installer soit la brosse (A, Figure 5) ou le support de disque (B et C, Figure 5) selon le type de sol à nettoyer.



**MISE EN GARDE !**

Avant l'installation ou la désinstallation de la brosse ou du support de disque, s'assurer que tous les interrupteurs de la machine sont en position d'arrêt et lever la raclette du sol. L'opérateur doit être doté de dispositifs de protection personnels appropriés des tels que des gants, afin de réduire le risque d'accidents.

Procéder comme suit:

1. Insérer la clé de contact (54) et la tourner sur "O".
2. Soulever la tête de brosse en appuyant sur la pédale (10).
3. Le cas échéant, tourner le dispositif de réglage de vitesse (56) au ralenti en le tournant dans le sens anti-horaire.
4. Placer les brosses (A, Fig. 5) ou le support de disque (B) sous la tête de brosse (21).
5. Abaisser la tête de brosse sur les brosses/les supports de disque en appuyant sur la pédale (10).
6. Tourner la clé de contact (54) sur "I".
7. Appuyer sur le commutateur de la brosse/du support de disque et du système d'aspiration (60).
8. Appuyez sur l'un des commutateurs d'entraînement de brosse/avant (50) pour engager la brosse/le support de disque, puis le relâcher. Si nécessaire, répéter la procédure jusqu'à ce que les brosses/les supports de disque sont engagés.

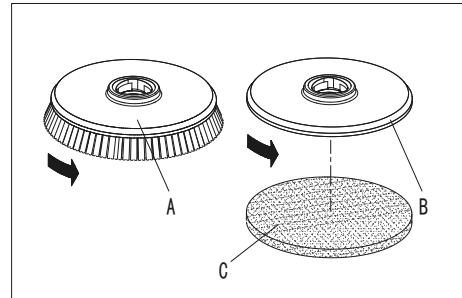


Figure 5



**AVERTISSEMENT!**

(Uniquement pour les machines avec traction): Tourner le dispositif de réglage de vitesse (56) dans le sens antihoraire pour entraîner la machine à la vitesse minimale.

Appuyer légèrement sur le commutateur (50), sinon la machine commence à se déplacer.

Pour engager la brosse/support de disque, appuyer sur le commutateur (50) qui allume le moteur de la brosse/support de disque.

9. Pour retirer la brosse/support de disque, soulever la tête de brosse en appuyant sur la pédale (10), puis appuyer sur le commutateur (58), la brosse/support de disque seront retirés.

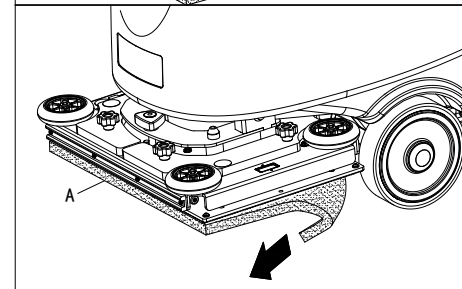
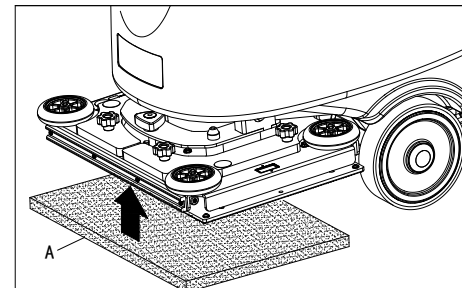


Figure 5.1

**INSTALLATION ET DÉINSTALLATION PAD DU TAMPON (uniquement pour machine orbitale)**

1. Soulevez la plateforme en appuyant sur l'interrupteur (60).
2. Installez et désinstallez le tampon (A, Figure 5.1)

**AJUSTEMENT DE L'ÉQUILIBRE DE LA RACLETTE**

1. Installer la raclette et visser l'écrou (H), puis raccorder le tuyau d'aspiration (G) à la raclette.
2. Régler la raclette par la molette de réglage de la raclette (A, Figure 6).
  - a) S'il y a un écart entre le sol et section centrale de la lame arrière de la raclette (B), régler le bouton (A) dans le sens antihoraire (F) jusqu'à ce que toute la section de lame arrière de la raclette ait un excellent contact avec le sol, la lame avant touchant légèrement le sol.
  - b) S'il y a un écart entre le sol et les deux extrémité de la lame arrière (C et D), régler le bouton (A) dans le sens horaire (E) jusqu'à ce que toute la section de lame arrière ait un excellent contact avec le sol, la lame avant touchant légèrement le sol.

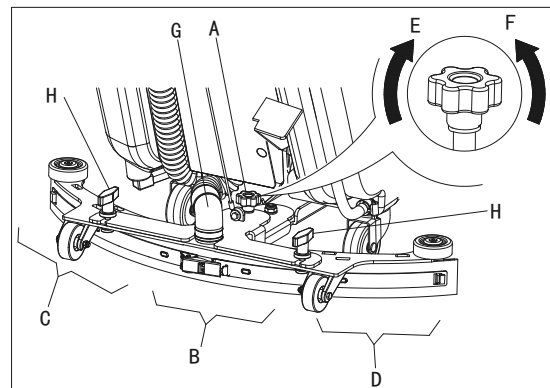


Figure 6

**REPLISSAGE DU RÉSERVOIR AVEC UNE SOLUTION OU DE L'EAU DE LAVAGE**



**REMARQUE**

Si la machine est équipée d'un système de mélange de produits chimiques (en option), le réservoir doit être rempli d'eau propre, sinon le réservoir peut être rempli de solution.

1. Ouvrir le goulot de remplissage (B, Fig.7).
2. (Pour les machines sans système de mélange de produits chimiques) Utiliser le goulot de remplissage avant (B) et ou le goulot de remplissage arrière (H) pour remplir le réservoir (D) avec une solution appropriée pour le travail à effectuer. Remplir jusqu'à la marque de référence "1" du tuyau de contrôle du niveau (H). Toujours respecter les instructions de dilution sur l'étiquette du produit chimique utilisé pour préparer la solution. La température de la solution ne doit pas dépasser +104 °F (+40 °C).



**AVERTISSEMENT!**

Utiliser uniquement des détergents à faible mousse et non-inflammables, qui sont destinés à des applications à l'autolaveuse.

3. (Pour les machines avec système de mélange de produits chimiques) Remplir le réservoir (D) d'eau propre en utilisant le goulot de remplissage (B) et ou le goulot de remplissage arrière (H). Remplir jusqu'à la marque de référence "1" du tuyau de contrôle du niveau (H). La température de l'eau ne doit pas dépasser +104 °F (+40 °C).

**Le remplissage du réservoir de détergent (Pour les machines ayant un système de mélange de produits chimiques)**

1. Ouvrir le couvercle (E) et vérifier si le réservoir de récupération (F) est vide; sinon, le vider par le tuyau de vidange (G).
2. Abaisser avec précaution le réservoir de récupération (A, Fig. 8).
3. Ouvrir le bouchon (B).
4. Remplacer ou remplir la le bidon (C) avec un conteneur standard de détergent approprié pour le travail à effectuer (détergents hautement concentrés). Ne pas complètement remplir le réservoir de détergent, prévoir quelques centimètres depuis le bord.



**AVERTISSEMENT!**

Utiliser uniquement des détergents à faible mousse et non-inflammables, qui sont destinés à des applications à l'autolaveuse.



**REMARQUE**

Pour installer un nouveau conteneur, déterminer la taille du bouchon et s'il s'agit d'un plus petit bouchon, retirer l'adaptateur de réduction du bouchon du tuyau (B). Insérer le tube d'aspiration dans bidon (C). Pousser vigoureusement vers le bas le bouchon (B) et tourner en même temps pour remettre le bouchon sur le bidon (C). Dans le cas d'un nouveau système, le système vidé pour le nettoyage, etc., attendre que les tuyaux se remplissent, avant de démarrer le système de mélange de produits chimiques.

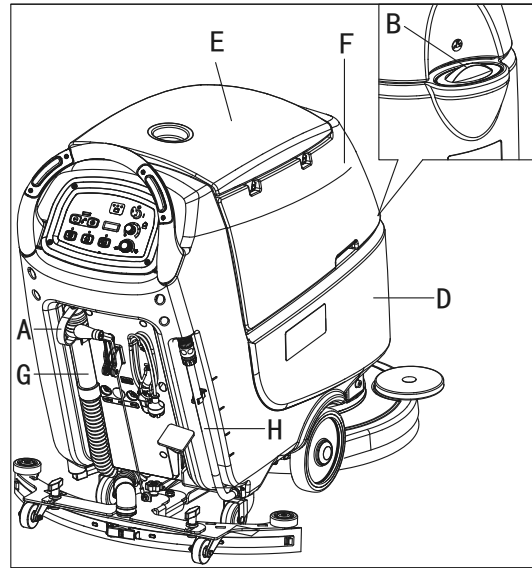


Figure 7

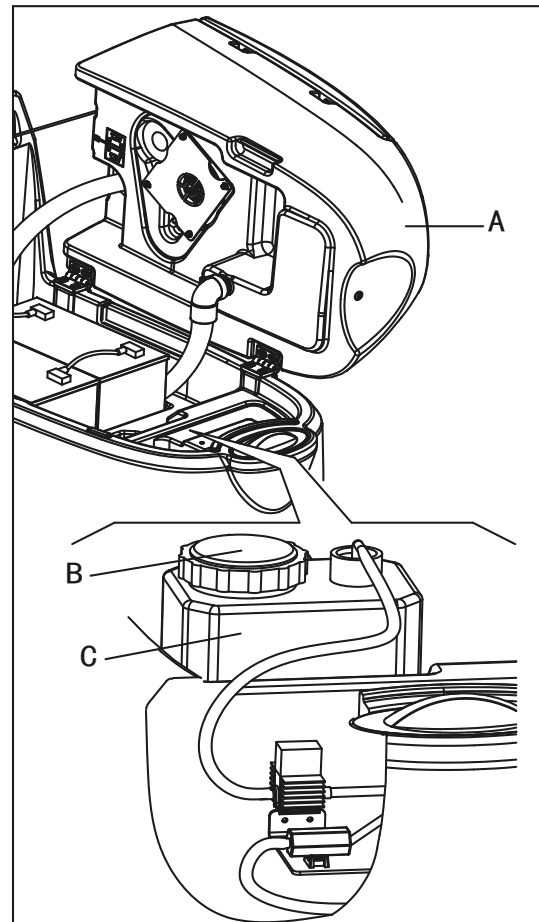


Figure 8

**DÉMARRAGE/ARRÊT DE LA MACHINE**

**Démarrage de la machine**

1. Préparer la machine comme indiqué dans le paragraphe précédent.
2. Insérer la clé de contact (A, Fig. 9) et la tourner sur "I". Vérifier que le témoin lumineux vert (B) se met en marche (batterie chargée). Si le témoin lumineux LED jaune (C) ou rouge (D) s'allume, retourner la clé de contact sur "0" et charger les batteries (voir la procédure au chapitre Entretien).
3. Conduire la machine jusqu'à la zone de travail:
  - En la poussant en ayant les mains sur le guidon (E) (uniquement pour les machines sans traction).
  - En la poussant en ayant les mains sur le guidon (E) et en appuyant sur le commutateur (F) pour avancer, ou en appuyant sur le commutateur (F) avec le commutateur (G) pour reculer (uniquement pour la machine à traction). La vitesse d'avancement peut être réglée avec le dispositif de réglage (H).
4. Abaisser la raclette (I) avec le levier (J).
5. Abaisser la tête de brosse (K) en appuyant sur la pédale (L). (seulement pour machine à disque)
6. Appuyer sur le commutateur de la brosse/du support de disque (M) sur le commutateur du système d'aspiration (N).
7. Appuyer sur les commutateurs de commande du débit d'eau de lavage (O), si nécessaire, en fonction du type de nettoyage à effectuer.
8. Commencer le nettoyage:
  - (uniquement pour les machines sans traction) en poussant la machine en ayant les mains sur le guidon (E) et en appuyant sur le commutateur (F).
  - (uniquement pour les machines avec traction) en poussant la machine en ayant les mains sur le guidon (E) et en appuyant sur le commutateur (F). Si nécessaire, la vitesse d'avancement peut être réglée avec le dispositif de réglage (H).

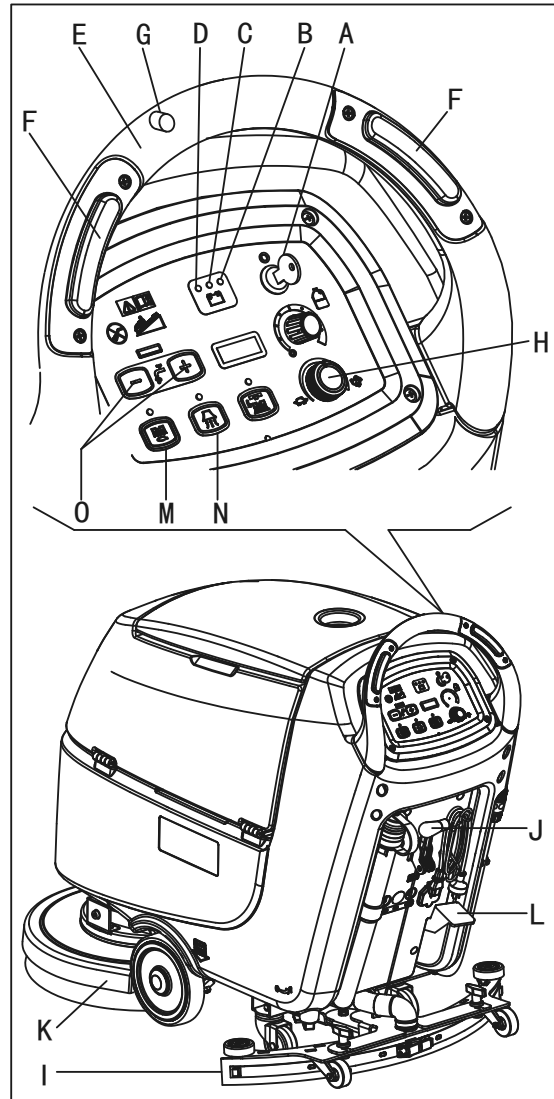


Figure 9



**REMARQUE**

Pour déplacer la machine vers l'avant, appuyer soit sur le commutateur gauche ou le commutateur droit (F) ou les deux.

**Arrêt de la machine**

9. Arrêter la machine en utilisant le guidon (E) (uniquement pour les machines sans traction). Arrêter la machine en relâchant les commutateurs (F) (uniquement pour les machines avec traction).
10. Arrêter les brosses et le système d'aspiration en appuyant sur le commutateur (M). Le système d'aspiration s'arrête au bout de quelques secondes.
11. Soulever la tête de brosse (K) en appuyant sur la pédale (L). (seulement pour machine à disque)
12. Soulever la raclette (I) avec le levier (J).
13. Tourner la clé de contact (A) sur "0".
14. S'assurer que la machine ne puisse pas se bouger indépendamment.

**RÉGLAGE DU NIVEAU DE LA PLATEFORME ORBITALE (uniquement pour la machine orbitale)**

1. Abaissez la plateforme brosse / porte-tampon en appuyant sur l'interrupteur brosse / porte-tampon (M, Figure 9)
2. Ajustez le niveau de la plateforme orbitale en ajustant la poignée (A, Figure 9.1) Placez la bulle au milieu (B, Figure 9.1).

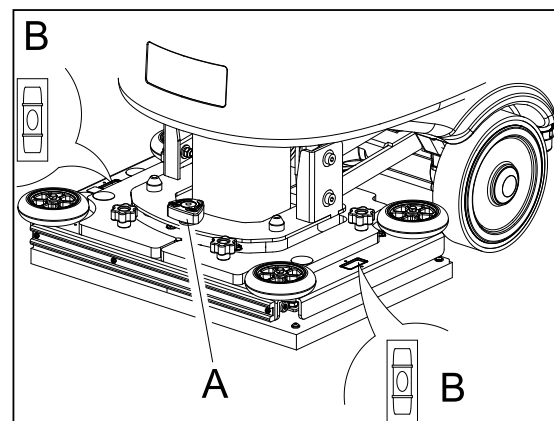


Figure 9.1

**FONCTIONNEMENT DE LA MACHINE (LAVAGE ET SÉCHAGE)**

1. Démarrer la machine, comme indiqué dans les paragraphes précédents.
2. Tout en gardant les deux mains sur le guidon, appuyer sur l'interrupteur de sécurité (F, Fig. 9), puis manœuvrer la machine et commencer à laver/sécher le sol.
3. Si nécessaire, arrêter la machine puis régler la raclette selon la section "Réglage de l'équilibre de la raclette".



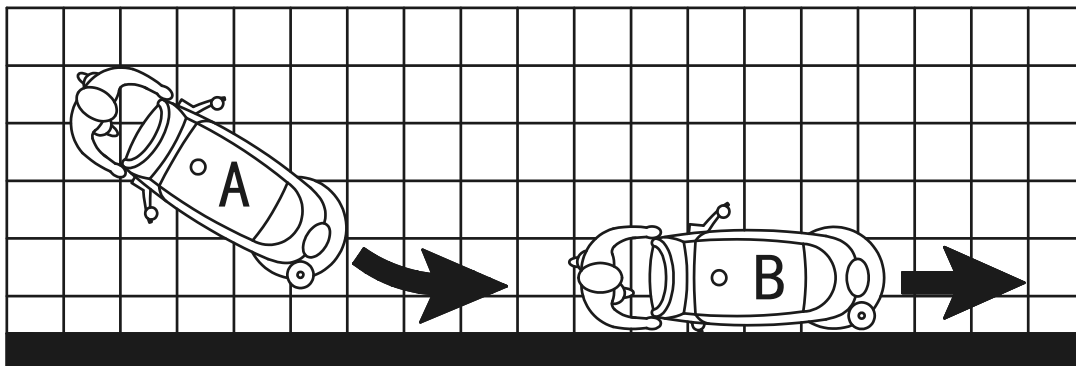
**REMARQUE**

Pour un bon lavage/séchage des sols au niveau des côtés des murs, suggère de s'approcher des murs avec le côté droit de la machine (A et B, Fig. 10), comme indiqué sur la figure.



**MISE EN GARDE !**

Pour éviter tout dommage à la surface du sol, éteindre la brosse/le support de disque lorsque la machine s'arrête en un seul endroit, en particulier lorsque la fonction de pression supplémentaire est activée.



**Figure 10**

**Le réglage du débit de détergent**

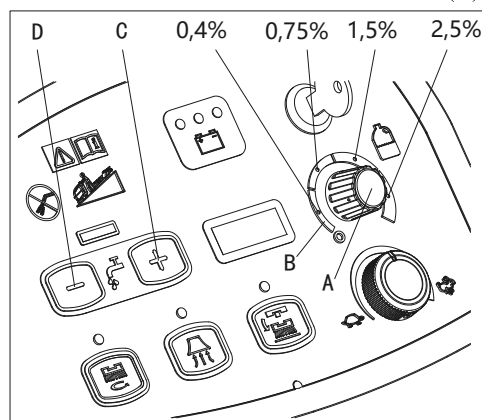
(pour les machines avec le système de mélange de produits chimiques)

1. Tourner le bouton (A, Fig. 11) dans le sens horaire ou anti-horaire pour augmenter ou diminuer la concentration de détergent.
2. Les valeurs de concentration de détergent moyennes, correspondantes à 4 zones colorées de l'échelle (B), sont présentées dans la figure.
3. Pour régler la quantité de détergent sur zéro, tourner complètement le bouton (A) dans le sens antihoraire.



**REMARQUE**

La concentration en détergent est maintenue constante, même si le débit d'eau de lavage est changé avec les commutateurs (C) ou (D).



**Figure 11**

**Décharge de la batterie pendant le fonctionnement**

Jusqu'à ce que le témoin lumineux vert (A, Fig. 12) reste allumé, les batteries permettent à la machine de travailler normalement. Lorsque le témoin lumineux vert (A) s'éteint, et le témoin lumineux jaune (B) s'allume, il est conseillé de charger les batteries, parce que la charge restante ne durera que pendant quelques minutes (en fonction des caractéristiques de la batterie et du travail à effectuer). Lorsque le témoin lumineux rouge (C) s'allume, les batteries sont complètement déchargées. Après quelques secondes, la brosse/le support de disque est automatiquement éteint, tandis que le système d'aspiration et (uniquement pour les machine à traction) le système d'entraînement restent allumés, pour terminer le séchage du sol et conduire la machine à la zone de recharge.



**MISE EN GARDE !**

**Ne pas utiliser la machine avec des batteries déchargées, pour éviter d'endommager les batteries et de réduire la durée de vie de la batterie.**

**VIDANGE DU RÉSERVOIR**

Un système automatique de fermeture à flotteur (A, Figure. 13) bloque le système d'aspiration lorsque le réservoir d'eau de récupération (B) est plein. La désactivation du système d'aspiration est indiquée par une augmentation soudaine de la fréquence du bruit du moteur du système d'aspiration, le sol aussi ne s'est pas séché.



**MISE EN GARDE !**

**Si le système d'aspiration s'éteint accidentellement (par exemple, lorsque le flotteur est activé en raison d'un mouvement soudain de la machine), pour reprendre l'opération: désactiver le système d'aspiration en appuyant sur le commutateur (D, Fig. 12), puis retirer le couvercle (C, Fig. 13) et vérifier que le flotteur à l'intérieur de la grille (A) a baissé jusqu'au niveau de l'eau. Ensuite, remettre le couvercle (C) et mettre le système d'aspiration en appuyant sur le commutateur (D, Fig. 12).**

Lorsque le réservoir d'eau de récupération (B, Fig. 13) est plein, le vider selon la procédure suivante.

**Vider le réservoir d'eau récupération**

1. Arrêter la machine.
2. Soulever la tête de brosse de la brosse/du support de disque (E, Fig. 12) en appuyant sur la pédale (F). (seulement pour machine à disque)
3. Soulever la raclette (G) avec le levier (H).
4. Conduire la machine jusqu'à la zone d'élimination désignée.
5. Vider le réservoir d'eau de récupération avec le tuyau (I). Ensuite, rincer le réservoir (B, Fig. 13) avec de l'eau propre.

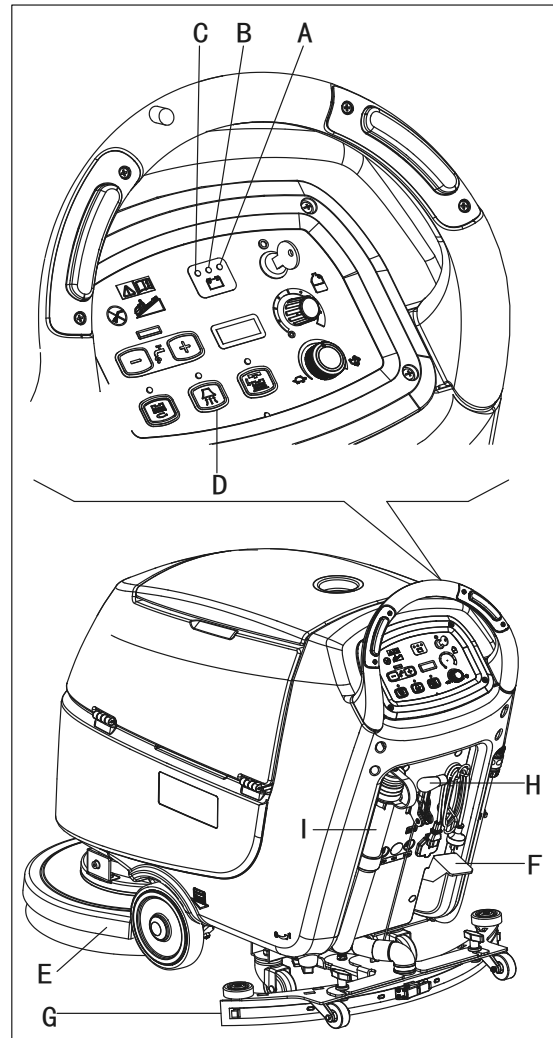


Figure 12

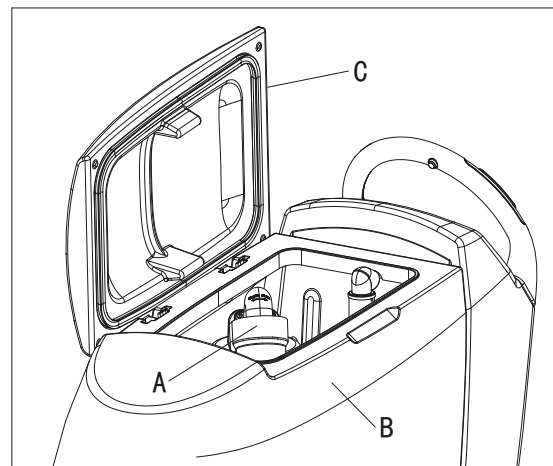


Figure 13



**MISE EN GARDE !**

Lors de la vidange des eaux usées, le tube d'aspiration pour les déchets doit être plié (A, Fig. 14) et abaissé à une position inférieure (B, Fig. 14), puis retirer le couvercle du tube d'aspiration pour les déchets afin d'évacuer l'eau. Ne pas orienter vers le haut la sortie du tube d'aspiration pour les déchets, afin de drainer l'eau à la verticale. Ceci afin d'éviter que les eaux usées se déversent sur l'opérateur.

6. Effectuer les étapes 1 à 4.

**Vidange du réservoir de solution/d'eau propre**

7. Vider le réservoir de solution avec le tuyau (A, Fig. 15).  
Après avoir travaillé, rincer le réservoir avec de l'eau propre.

**APRÈS UTILISATION DE LA MACHINE**

Après avoir travaillé, avant de quitter la machine:

5. Retirer les brosses/les supports de disque.
6. Vider les réservoirs (B et C, Fig. 15), comme indiqué dans le paragraphe précédent.
7. Effectuer les procédures d'entretien quotidien (voir le chapitre Maintenance).
8. Ranger la machine dans un endroit propre et sec, avec les brosses/les supports de disque et le racleur, soulevés ou retirés.

**LONGUE INACTIVITÉ DE LA MACHINE**

Si la machine ne sera pas utilisée pendant plus de 30 jours, procéder comme suit:

1. Effectuer les procédures indiquées dans le paragraphe "Après Utilisation de la Machine".
2. Débrancher le connecteur de la batterie (38).

**PREMIÈRE PÉRIODE D'UTILISATION**

Après les 8 premières heures, vérifier le serrage de la machine et les pièces de liaison pour un serrage correct et vérifier les pièces visibles pour l'usure et les fuites.

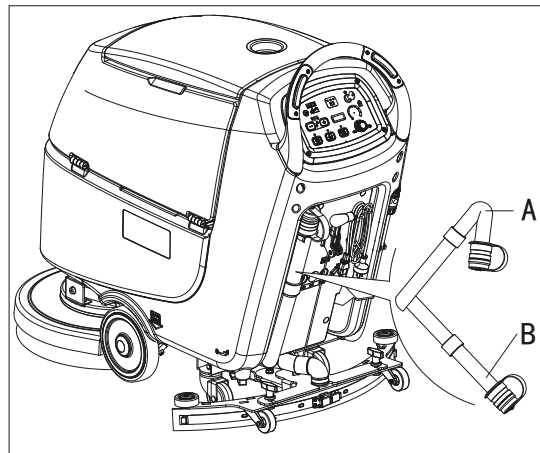


Figure 14

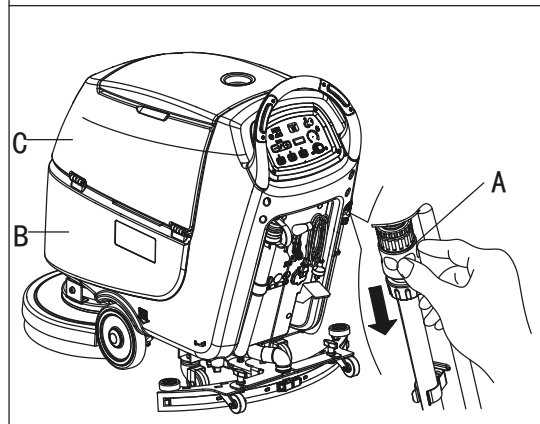
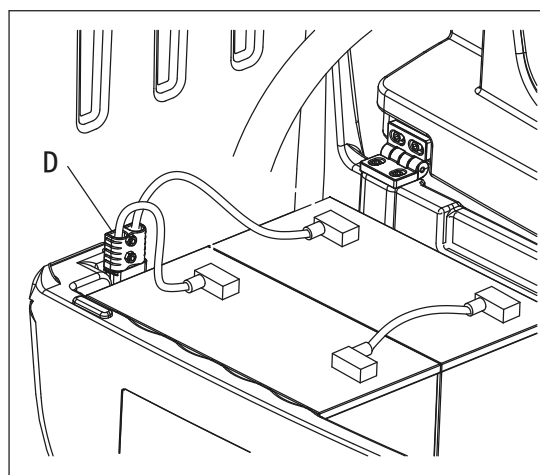


Figure 15

**ENTRETIEN**



**ATTENTION!**

Les procédures d'entretien doivent être effectuées après que la machine ait été éteinte et le câble du chargeur de batterie ait été débranché. En outre, lire attentivement les chapitres de sécurité dans le Manuel.

Toutes les procédures de maintenance programmées ou extraordinaires doivent être effectuées par un personnel qualifié ou un centre d'entretien autorisé. Ce manuel ne décrit que les procédures d'entretien générales et communes. Pour les autres procédures d'entretien qui ne sont pas dans la table de calendrier d'entretien ci-dessous, veuillez vous référer au manuel d'entretien qui peut être consulté à tout centre d'entretien de notre société.

**TABLE D'ENTRETIEN PRÉVU**



**ATTENTION!**

La procédure marquée de (1) doit être effectuée lorsque la machine est utilisée après 9 heures pour la première fois. La procédure marquée de (2) doit être faite par le centre d'entretien qui est qualifié par notre société.

Procédure	Quotidien, après chaque utilisation	Chaque semaine	semestriellement	Annuellement
Chargement de la batterie				
Nettoyage de la raclette				
Nettoyage de la brosse/du support de disque				
Nettoyage du réservoir				
Inspection du joint de couvercle du réservoir				
Nettoyage du filtre à flotteur				
Tampon				
Vérification et remplacement de la raclette				
Nettoyage du filtre à eau				
Nettoyage du filtre d'aspiration				
Vérification du niveau de liquide de la batterie HUMIDE				
Inspection du serrage des vis et écrous			(1)	
Isolateur bas			(2)	
Vérification ou remplacement des charbons du moteur de brosse				(2)
Vérification ou remplacement des charbons du moteur d'aspiration				(2)
Vérification et remplacement des charbons du moteur de traction (uniquement pour machine avec traction)				(2)



## CHARGEMENT DES BATTERIES

**REMARQUE**

Charger les batteries lorsque le témoin lumineux LED jaune (G, Fig-16) ou rouge (H) s'allume, ou lorsque le nettoyage est terminé.

**MISE EN GARDE !**

Garder les batteries chargées augment leur durée de vie.

**MISE EN GARDE !**

Lorsque les batteries sont déchargées, les charger dès que possible, puisque cette condition rend leur vie plus courte. Vérifier la charge de la batterie au moins une fois par semaine.

**AVERTISSEMENT!**

Le chargement de batteries HUMIDES produit un gaz hydrogène très explosif. Charger la batterie dans des endroits bien aérés et loin des flammes nues. Ne pas fumer pendant le chargement de la batterie. Garder le réservoir ouvert pendant le chargement des batteries.

**AVERTISSEMENT!**

Prêter une attention particulière lors de la recharge de batteries, puisqu'il peut y avoir des fuites de liquide de la batterie. Le liquide de la batterie est corrosif. Si cela rentre en contact avec la peau ou les yeux, rincer abondamment avec de l'eau et consulter un médecin.

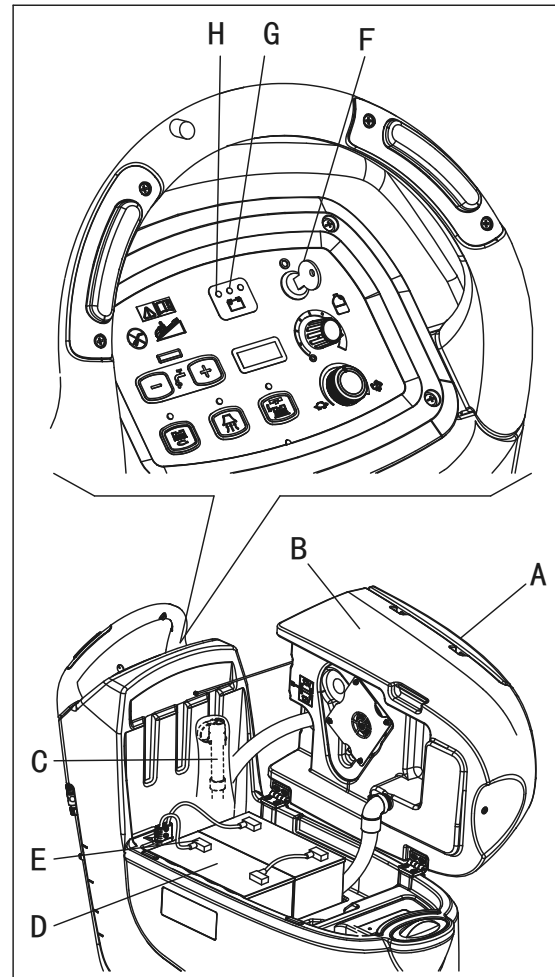


Figure 16

**Procédures préliminaires**

1. Ouvrir le couvercle (A, Fig. 16) et vérifier si le réservoir d'eau de récupération (B) est vide; sinon, le vider par le tuyau de vidange (C).
2. Conduire la machine sur un sol nivelé.
3. Tourner la clé de contact (F) sur "0".
4. Soulever délicatement le réservoir (B).
5. Pour les batteries HUMIDES seulement:
  - Vérifier le niveau d'électrolyte dans les batteries (D); si nécessaire, en rajouter à travers les bouchons (E).
  - Laisser tous les bouchons de la batterie (E) ouverts pour le chargement suivant.
  - Si nécessaire, nettoyer la surface supérieure des batteries (D).
6. Recharger les batteries selon la procédure suivante.

**Charge de la batterie avec chargeur de batterie installé sur la machine**

7. Brancher le câble du chargeur de batterie (A, Fig. 17) au réseau électrique (G) (la tension du réseau électrique et la fréquence doivent être compatibles avec les valeurs du chargeur de batterie figurant sur la plaque signalétique portant le numéro de série de la machine (F)). Lorsque le chargeur de batterie est connecté au réseau électrique, toutes les fonctions de la machine sont automatiquement coupées. Si le témoin lumineux rouge (B) sur le panneau de commande du chargeur de batterie reste allumé, le chargeur de batterie est en train de charger les batteries.
8. Lorsque le témoin lumineux vert (C) s'allume, la charge de la batterie est achevée.
9. Lorsque la charge de la batterie est achevée, débrancher le câble du chargeur de batterie (A) du réseau électrique (G) et l'enrouler autour de son logement (D).
10. Abaisser avec précaution le réservoir.

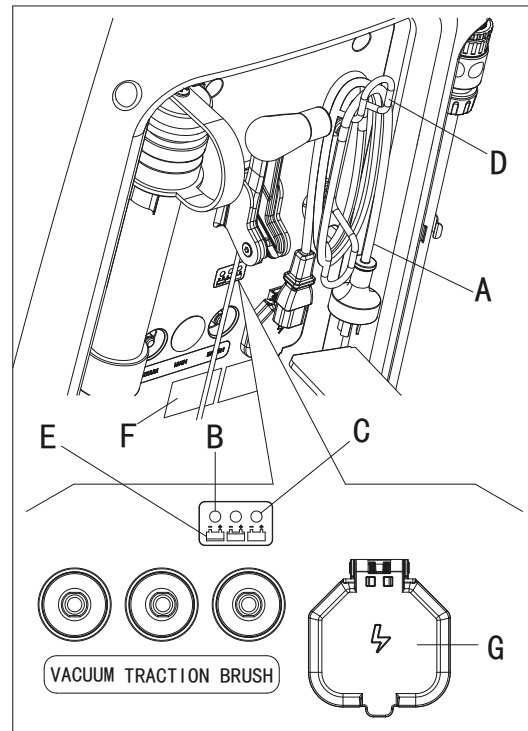


Figure 17



**REMARQUE**

Pour plus d'informations sur le fonctionnement du chargeur de batterie (E, Fig. 17), voir le Manuel pertinent.

**NETTOYAGE DE LA BROSSE/DU SUPPORT DE DISQUE**



**MISE EN GARDE !**

Il est conseillé d'utiliser des gants de protection lors du nettoyage de la brosse/du support de disque, car il peut y avoir des débris pointus.

1. Retirer la brosse/le support de disque, comme indiqué dans le chapitre Utilisation.
2. Nettoyer et laver la brosse/le support de disque avec de l'eau et du détergent.
3. Vérifier que les brosses/les disques sont en état de fonctionnement et pas trop usés; les remplacer si nécessaire.

**NETTOYAGE DU FILTRE DE SOLUTION**

1. Conduire la machine sur un sol nivelé.
2. Faire en sorte que la machine soit éteinte et que la clé de contact (54) ait été retirée.
3. Fermer le robinet de la solution (A, Fig. 18) sous la machine, derrière la roue arrière droite. Le robinet (A) est fermé lorsqu'il est sur la position (B) et il est ouvert quand il est sur la position (C).
4. Retirer le couvercle transparent (D), puis retirer la crépine du filtre (E). Les nettoyer et les installer sur le support (F).

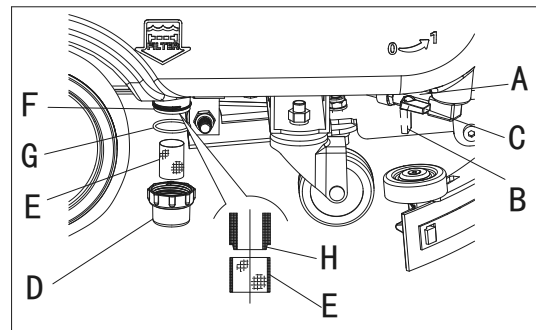


Figure 18



**REMARQUE**

La crépine de filtre (E) doit être correctement positionnée sur le boîtier (H) du support (F).

5. Ouvrir le robinet (A).

## NETTOYAGE DE LA RACLETTE

**REMARQUE**

La raclette doit être propre et ses lames doivent être en bonnes conditions afin d'obtenir un bon séchage

**MISE EN GARDE !**

Il est conseillé de porter des gants de protection lors du nettoyage de la raclette, car il peut y avoir des débris pointus.

1. Conduire la machine sur un sol nivelé.
2. Tourner la clé de contact (A, Fig. 19) sur "0".
3. Abaisser la raclette (B) avec le levier (C).
4. Desserrer les boutons (D) et retirer la raclette (B).
5. Débrancher le tuyau d'aspiration (E) de la raclette.
6. Nettoyer la raclette (Fig. 20). Nettoyer en particulier les compartiments (A) et le trou (B). Vérifier la lame avant (C) et la lame arrière (D) pour l'intégrité, les coupures et les fissures; si nécessaire les remplacer (voir la procédure dans le paragraphe suivant).
7. Monter la raclette dans l'ordre inverse du démontage.

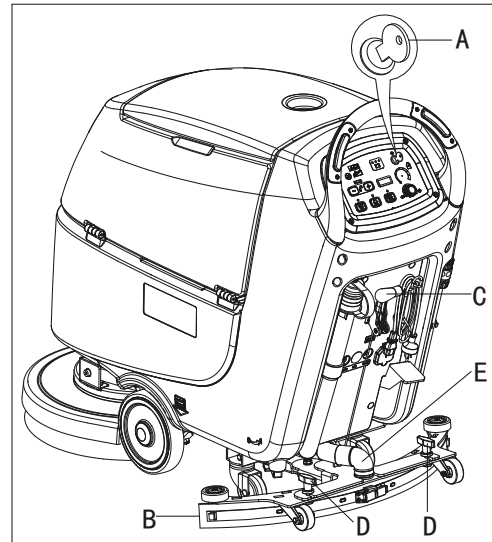


Figure 19

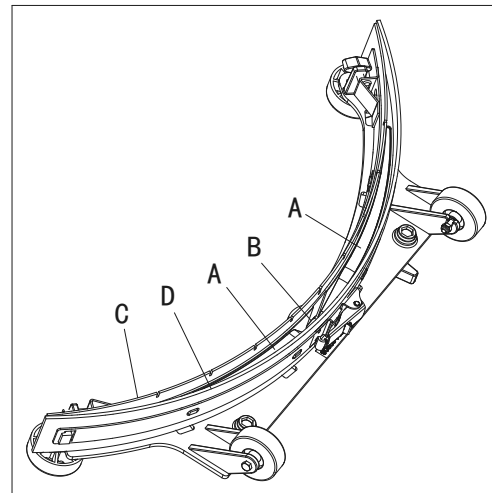


Figure 20

### VÉRIFICATION ET REMPLACEMENT DE LA LAME DE LA RACLETTE

1. Nettoyer la raclette en acier ou en aluminium, comme indiqué dans le paragraphe précédent.
2. Vérifier que les bords (E, Fig 22.) de la lame avant (C) et les bords (F) de la lame arrière (D) se reposent sur le même niveau, sur toute leur longueur; si nécessaire ajuster leur hauteur selon la procédure suivante:
  - Retirer la tige de traction (G), dégager les éléments de fixation (M) et régler la lame arrière (D), puis engager les fixations (M) et installer la tige de traction (G).
  - Desserrer les boutons (I) et régler la lame avant (C), puis serrer les boutons.
3. Vérifier la lame avant (C) et la lame arrière (D) pour l'usure, les coupures et les fissures; si nécessaire les remplacer selon la procédure suivante. Vérifier que le coin avant (J) de la lame arrière (D) ne soit pas usé; si nécessaire, retourner la lame pour remplacer le coin usé avec un autre coin intégral. Si les autres coins sont usés, remplacer aussi la lame selon la procédure suivante:
  - Retirer la tige de traction (G), dégager les éléments de fixation (M) et retirer la barrette de retenue (K), puis remplacer/retourner la lame arrière (D). Monter la raclette dans l'ordre inverse du démontage.
  - Dévisser les boutons (I) et retirer la barrette de retenue (L), puis remplacer la lame avant (C). Monter la raclette dans l'ordre inverse du démontage. Après le remplacement de la lame (ou retournement), ajuster la hauteur, comme indiqué dans l'étape précédente.
4. Connecter le tuyau d'aspiration (A, Fig. 21) à la raclette.
5. Installer la raclette (B) et visser les boutons (C).
6. Si nécessaire, régler le bouton de réglage de l'équilibre de la raclette (D).

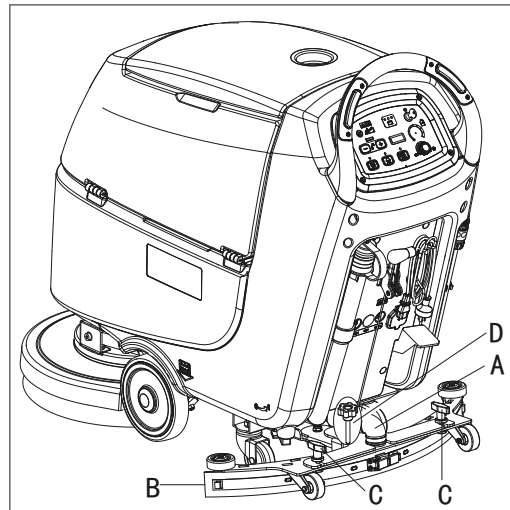


Figure 21

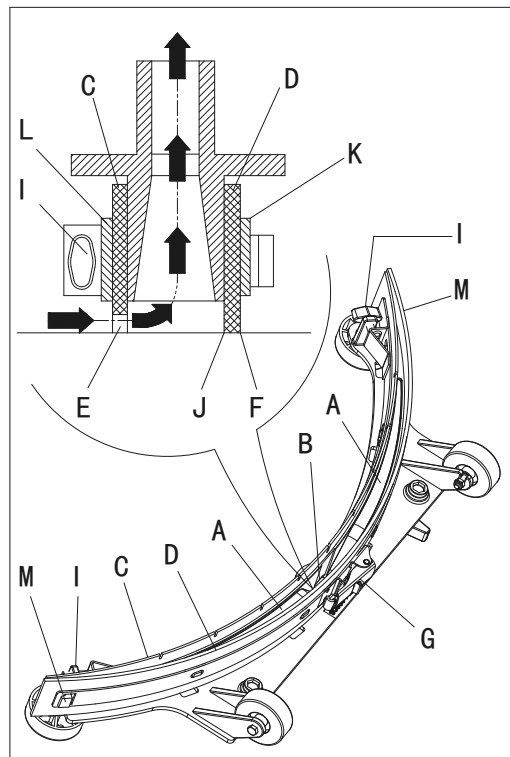


Figure 22

## NETTOYAGE DU RÉSERVOIR ET DE LA GRILLE D'ASPIRATION AVEC LE FLOTTEUR, VÉRIFICATION DU JOINT DE COUVERCLE

1. Conduire la machine sur un sol nivelé.
2. Faire en sorte que la machine soit éteinte et que la clé de contact (54) ait été retirée.
3. Tourner le couvercle du réservoir de récupération (A, Figure 23) position de 90 degrés où il peut être retiré du réservoir, puis enlever le filtre à flotteur (P) du réservoir.
4. Nettoyer le couvercle du réservoir récupération (A), le réservoir de récupération (B), réservoir d'eau propre (C) et le cadre de support du filtre à flotteur (E). Vider le réservoir de récupération avec le tuyau de vidange (22).
5. Si nécessaire, suivre les symboles "OPEN" et "CLOSE" comme indiqué sur la (Figure 23) pour ouvrir le couvercle de fond (F) du filtre à flotteur, puis nettoyer le filtre à flotteur (D), le cadre de support du filtre (E) et l'éponge du filtre (I). Après le nettoyage, fixer le filtre à flotteur (D) dans le cadre de support du filtre (E) puis aligner la rainure de marque (L) du capuchon de fond (F) du filtre à flotteur avec la rainure de marque (L) du cadre de support du filtre à flotteur (E). Visser fermement le capuchon de fond du filtre à flotteur, et fixer l'éponge du filtre (I) sur le cadre de support du filtre à flotteur (E). Enfin, le connecter au tuyau d'aspiration des eaux usées (M).
6. Inspecter l'intégrité de la bande d'étanchéité du réservoir.



### REMARQUE

**Le joint d'étanchéité du réservoir (G) permet de produire le vide à l'intérieur du réservoir lorsque le moteur d'aspiration fonctionne. Le réservoir doit être étanche, pour pouvoir effectivement absorber l'eau du sol vers le réservoir de récupération.**

7. Vérifier si la surface de contact du joint d'étanchéité (G) a une intégrité et une étanchéité suffisantes. Si nécessaire, sortir le joint d'étanchéité du réservoir de la rainure (H) et la remplacer. Assembler le nouveau joint d'étanchéité comme indiqué sur la (Figure 23), le joint devrait être ramené dans la zone médiane.
8. Fermer le couvercle du réservoir de récupération (A).

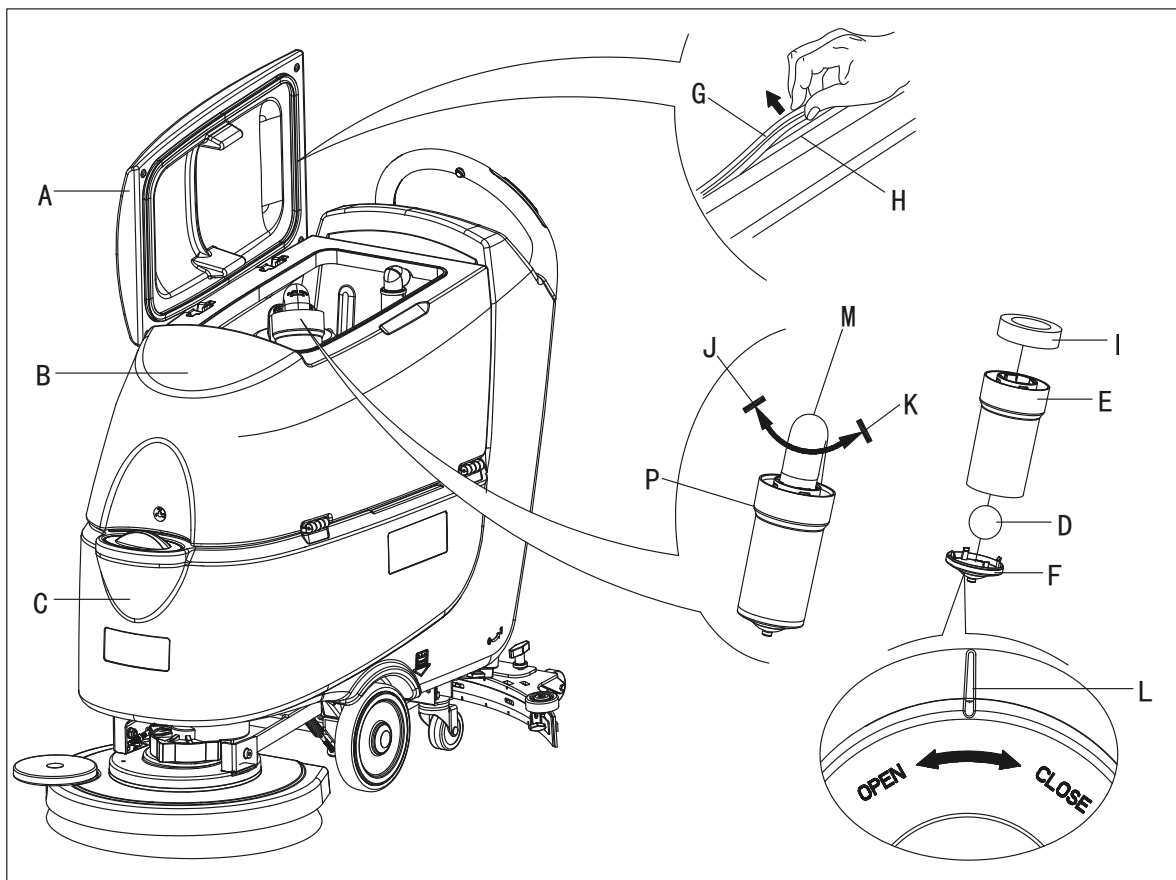


Figure 23

### NETTOYAGE DU RÉSERVOIR DE DÉTERGENT

(Pour les machines ayant un système de mélange de produits chimiques)

Nettoyer le réservoir de détergent (G, Fig. 24) comme indiqué ci-dessous:

1. Conduire la machine sur un sol nivelé.
2. Tourner la clé de contact (A) sur "0".
3. Ouvrir le couvercle (B) et vérifier si le réservoir d'eau de récupération (C) est vide; sinon, le vider par le tuyau de vidange (D). Fermer le couvercle (B).
4. Soulever délicatement le réservoir (C).
5. Dévisser le bouchon (E) et débrancher le tuyau (F) du réservoir (G).
6. Retirer le réservoir.
7. Laver le réservoir dans la zone d'élimination désignée.
8. Installer le réservoir (G) et connecter le tuyau (F).
9. Après le drainage du réservoir de détergent, drainer aussi le système de mélange de produits chimiques en faisant fonctionner le système avec de l'eau propre.

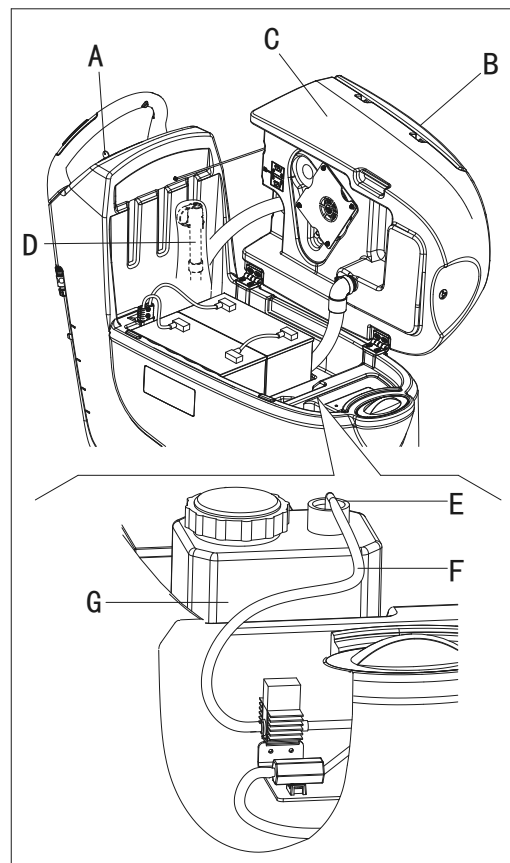


Figure 24

### VÉRIFICATION DE L'HEURE DE TRAVAIL DE LA MACHINE

1. Tourner la clé de contact (A, Fig. 25) sur "I".
2. Appuyer sur le commutateur (B) et lire sur le compteur horaire (C) le nombre total d'heures de travail (récupération/séchage) effectuées par la machine.
3. Appuyer encore sur le commutateur (B).
4. Tourner la clé de contact (A) sur "0".

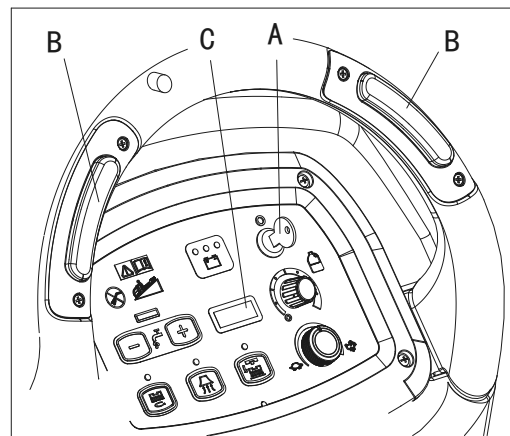
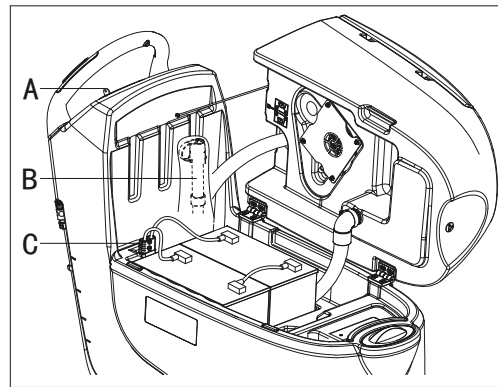


Figure 25

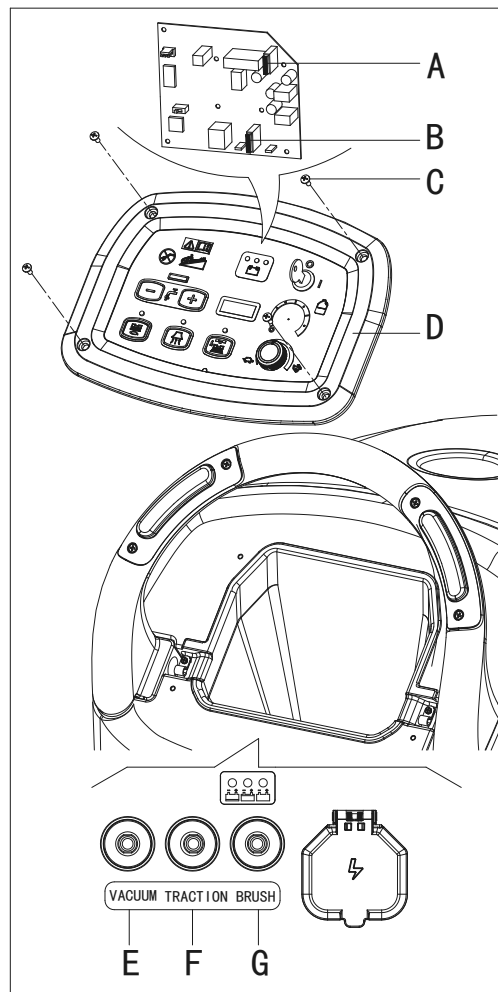
**VÉRIFICATION/REPLACEMENT DU FUSIBLE**

1. Tourner la clé de contact (A, Fig. 26) sur "0".
2. Débrancher le câble d'alimentation (C, Fig. 26) du réseau électrique.
3. Dévisser les vis (C, Figure 27) sur le panneau de commande (r), puis retourner le PCB pour trouver le fusible (A, B, Figure 27).
4. Vérifier/remplacer les fusibles suivants:
  - A) Fusible F1, fusible du faible circuit électrique: (5A)
  - B) Fusible F3, fusible à libération de la brosse: (20A) (seulement pour machine à disque)
  - B) fusible F3, fusible de la brosse: (5A) (uniquement pour machine orbitale)
5. Effectuer les étapes 1 à 3 dans l'ordre inverse.
6. Vérifier/appuyer ou remplacer les disjoncteurs suivants:
  - E) Disjoncteur F5, disjoncteur du moteur d'aspiration : (30A)
  - F) •Disjoncteur F4, disjoncteur du système d'entraînement : (12A) (\*) (seulement pour machine à disque)
  - Disjoncteur F4, disjoncteur du système de traction: (17A) (\*) (uniquement pour machine orbitale)
  - G) Disjoncteur F2, disjoncteur du moteur de la brosse : (30A)

(\*): Uniquement pour les machines avec traction



**Figure 26**



**Figure 27**

**ACCESSOIRES/OPTIONS**

En plus des composants standards, la machine peut être équipée des accessoires/options suivants, selon l'utilisation spécifique de la machine:

Pour de plus amples informations concernant les accessoires optionnels mentionnés ci-dessus, contacter un détaillant autorisé.

**ACCESSOIRES/OPTIONS**

Voir la section "Liste des pièces"

1. Batteries WET ou GEL/AGM
2. Porte balai et bac
3. Disques de différents matériaux
4. Système de mélange de produits chimiques
5. Boîte de collecte des débris

**DÉPANNAGE**

Problème	Causes probables	Solution
Les moteurs ne fonctionnent pas; aucun témoin lumineux ne s'allume.	Le connecteur de batterie est débranché.	Brancher le connecteur de la batterie.
	Les batteries sont complètement déchargées.	Charger les batteries.
La machine ne se déplace pas (Uniquement pour machine avec traction)	La machine a été allumée à l'aide de la clé de contact et en maintenant enfoncés l'un des commutateurs.	Tourner la clé de contact sur "0", puis essayer de démarrer à nouveau la machine sans appuyer sur les commutateurs.
Les 3 indicateurs de charge de batterie clignotent simultanément.	Surcharge du moteur de la brosse.	Utiliser des brosses moins agressives
	Les matières étrangères (fils emmêlés, etc.) qui peuvent empêcher la brosse de tourner.	Nettoyer le moyeu de la brosse.
Les brosses ne fonctionnent pas, le témoin lumineux rouge est allumé.	Les batteries sont déchargées.	Charger les batteries.
Le passage à l'aspirateur de l'eau de récupération est insuffisant.	Le réservoir d'eau de récupération est plein.	Vider le réservoir.
	Le tuyau est débranché de la raclette.	Connectez.
	La grille d'aspiration est bouchée ou le flotteur est bloqué en position fermée.	Nettoyer la grille ou vérifier le flotteur.
	La raclette est sale ou les lames de raclette sont usées ou endommagées.	Nettoyer et vérifier la raclette.
	Le couvercle du réservoir est mal fermé, ou le joint d'étanchéité est endommagé, ou le tube coudé est bouché.	Fermer le couvercle correctement, ou remplacer le joint d'étanchéité ou nettoyer le tube coudé.
Le débit de la solution aux brosses est insuffisant.	Le réservoir d'eau de récupération est sale.	Nettoyer.
Le débit de la solution aux brosses est insuffisant.	Le filtre de la solution/de l'eau propre est sale.	Nettoyez le filtre.
	Il y a des débris sous les lames de la raclette.	Enlever les débris.
	Les lames de la raclette sont usées, ébréchées ou déchirées.	Remplacer les lames.
La raclette laisse des traces sur le sol.	La raclette n'a pas été ajustée avec le bouton.	Ajuster.

**REMARQUE**

**Une machine avec un chargeur de batterie installé ne peut pas fonctionner si le chargeur n'est pas sur le circuit. En cas de dysfonctionnement du chargeur de batterie, contacter un centre de service autorisé.**

**Pour de plus amples informations, veuillez consulter le manuel de service, disponible à tout centre de service.**

**MISE À LA FERRAILLE**

Mettre à la ferraille la machine par l'institution qualifiée de traitement des déchets.

Avant que la machine ne soit mise au rebut, veuillez éloigner et séparer le sous-ensemble ci-dessous suivant la demande des lois pertinentes et règlements doit être mise au rebut de façon appropriée.

- Batterie
- Brosse/Support de disque
- Tuyau en plastique et pièces en plastique
- Composants électriques et électroniques (\*)

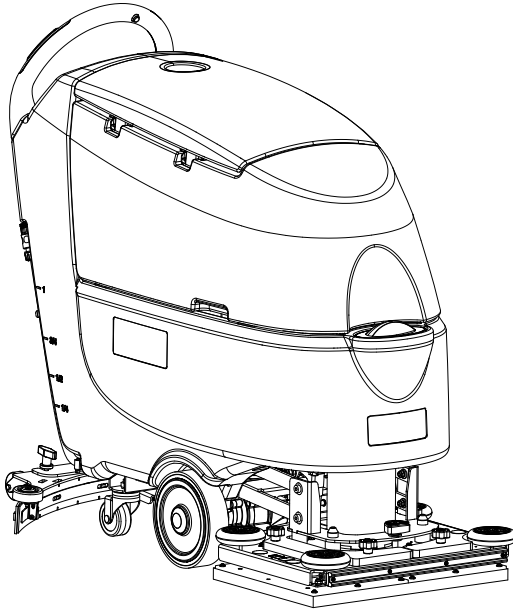
(\*) Veuillez communiquer avec le centre d'entretien de notre société pour toute destruction des composants électriques et électroniques.



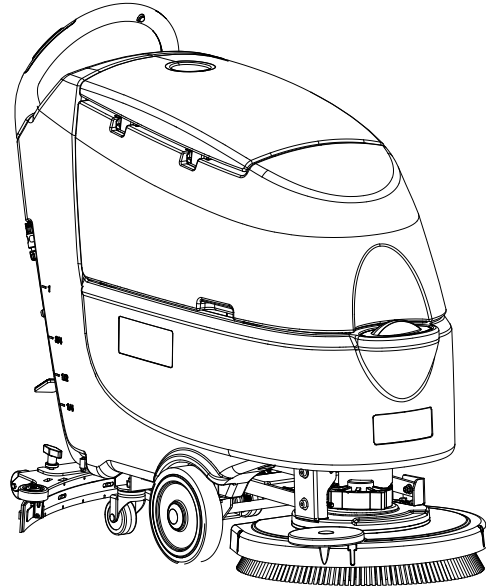
---

# Clarke®

**CA60 20B/CA60 24B**



**CA60 20D/CA60 20TD**



## Parts List

**WHEN ORDERING PARTS**

- \* Use the part numbers from the "Part. No." columns in this parts list.
- \* Specify the model and serial number of the machine.
- \* Use the space below to record the model and serial number for future reference.

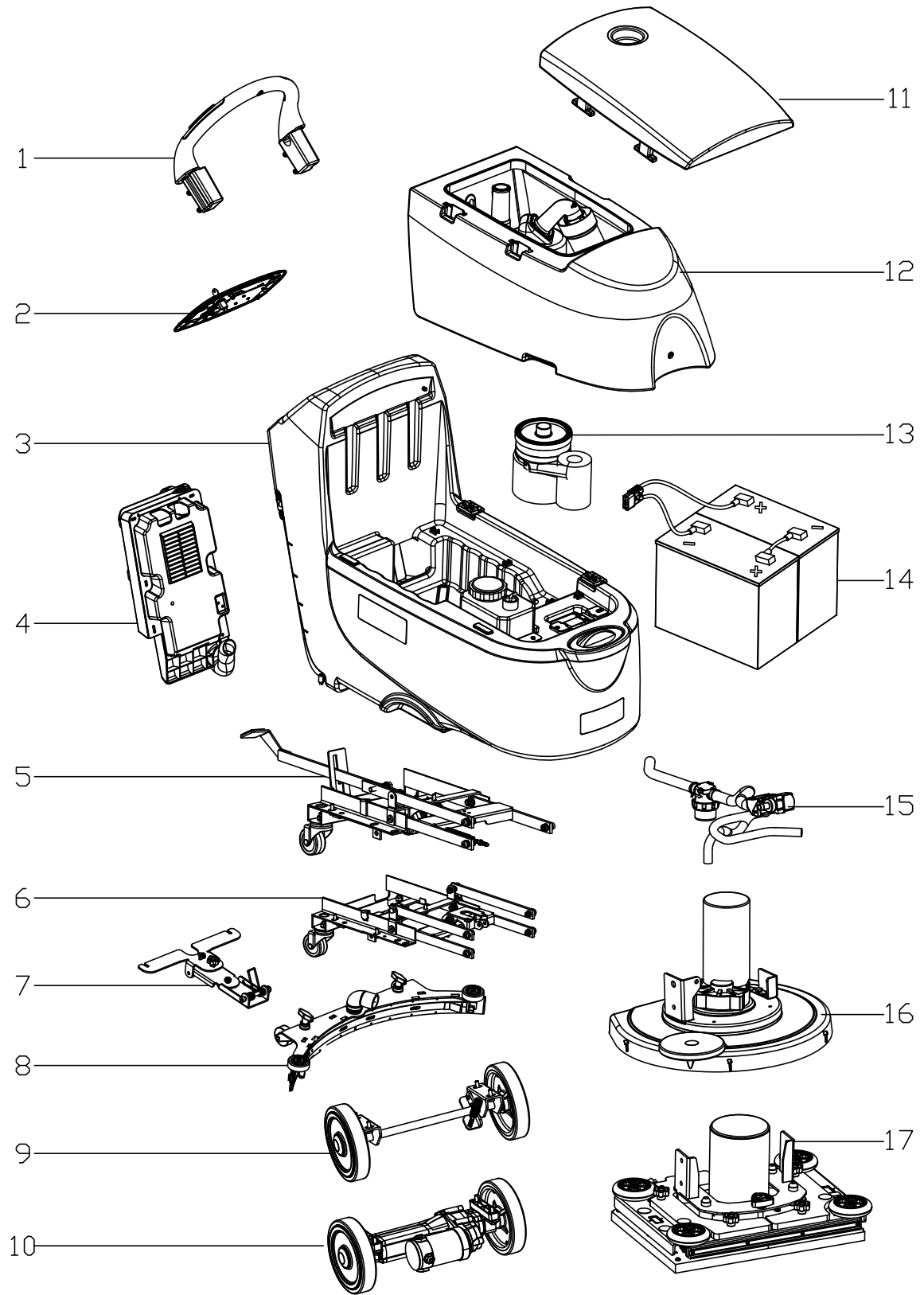
Model

Serial No.

- \* = Optional
- # = Modified item No. or New item No.
- [ ] = Not shown

# PARTS LIST

## GENERAL VIEW



## PARTS LIST

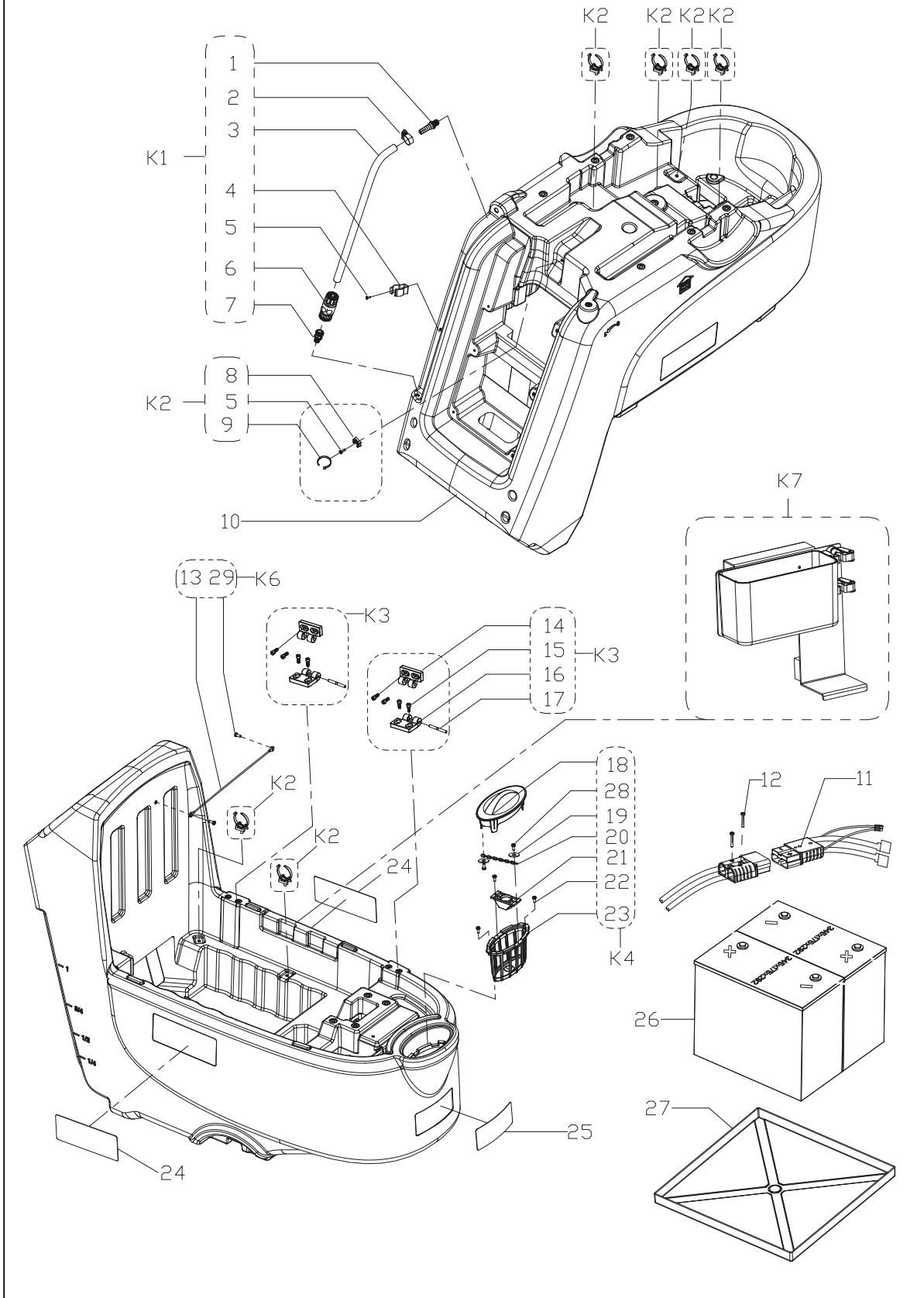
---

### GENERAL VIEW

KIT	Item	Part No.	Description	Qty
	1		HANDLE BAR ASSEMBLY	1
	2		CONTROL PANEL ASSEMBLY	1
	3		SOLUTION TANK ASSEMBLY	1
	4		CONTROL BOX ASSEMBLY	1
	5		CHASSIS ASSEMBLY (ONLY FOR DISC MACHINE)	1
	6		CHASSIS ASSEMBLY (ONLY FOR ORBITAL MACHINE)	1
	7		SQUEEGEE HOLDER ASSEMBLY	1
	8		SQUEEGEE ASSEMBLY	1
	9		WHEEL ASSEMBY WITHOUT TRACTION	1
	10		WHEEL ASSEMBY WITH TRACTION	1
	11		RECOVERY TANK LID ASSEMBLY	1
	12		RECOVERY TANK ASSEMBLY	1
	13		VACUUM MOTOR ASSEMBLY	1
	14		BATTERIES	1
	15		SOLUTION SYSTEM ASSEMBLY	1
	16		BRUSH DECK ASSEMBLY	1
	17		ORBITAL DECK ASSEMBLY	1

# PARTS LIST

## SOLUTION TANK ASSEMBLY



## PARTS LIST

### SOLUTION TANK ASSEMBLY

Kit	Item	Part No.	Description	Qty
K1	1	VF85105	FITTING PIPE	1
K1	2		CLAMP	1
K1	3		TUBING L485mm	1
K1	4		WATER HOSE HOLDER	1
K1/K2/K6	5		SCREW TM5X12	4
K1	6	VS13603	GARDEN COUPLING	1
K1	7		FITTING PIPE	1
K2	8		FLAT TIE HOLDER	1
K2	9		CLAMP	1
	10A/10B	VS13301A	SOLUTION TANK	1
	10C/10D	VS13325	SOLUTION TANK ORBITAL	1
	11	VS10227	BATTERY CONNECTIONS	1
	12		SCREW TM4X25	2
K6	13	VF85435	RECOVERY TANK CABLE	1
K3	14		HINGE_B	2
K3	15		SCREW TM6X15	8
K3	16		HINGE_A	2
K3	17		PIN	2
K4	18	VS13320	FILTER COVER	1
K4	19		WASHER Ø9XØ4.25X0.8	2
K4	20		ZIPPER	1
K4	21		INLET PIPE FRAME	1
K4	22		SCREW ST4X15	2
K4	23	VS10313	FILTER SUPPORT	1
	24A	VS13095	MODEL LABEL CA60 20D	2
	24B	VS13096	MODEL LABEL CA60 20TD	2
	24C	VS13093	MODEL LABEL CA60 20B	2
	24D	VS13094	MODEL LABEL CA60 24B	2
	25	VS13081	FRONT LABEL	1
	26*		BATTERIES	2
	27	VS10329	TRAY BATTERY	1
K4	28		SCREW TA3.5X12	3
	29		SCREW TM5X12	2
	K1	VS13701	WATER LEVEL PIPE KIT	1
	K2	VS13702	WIRE CLASPS KIT	7
	K3	VS13703	HINGE KIT	1
	K4	VS13732	FILTER COVER KIT	1
	k6	VF85007	TANK CABLE KIT	1
	K7*	9100002280	MOP AND TRASH KIT	1

A: ONLY FOR DISC MACHINE WITHOUT TRACTION (CA60 20D)

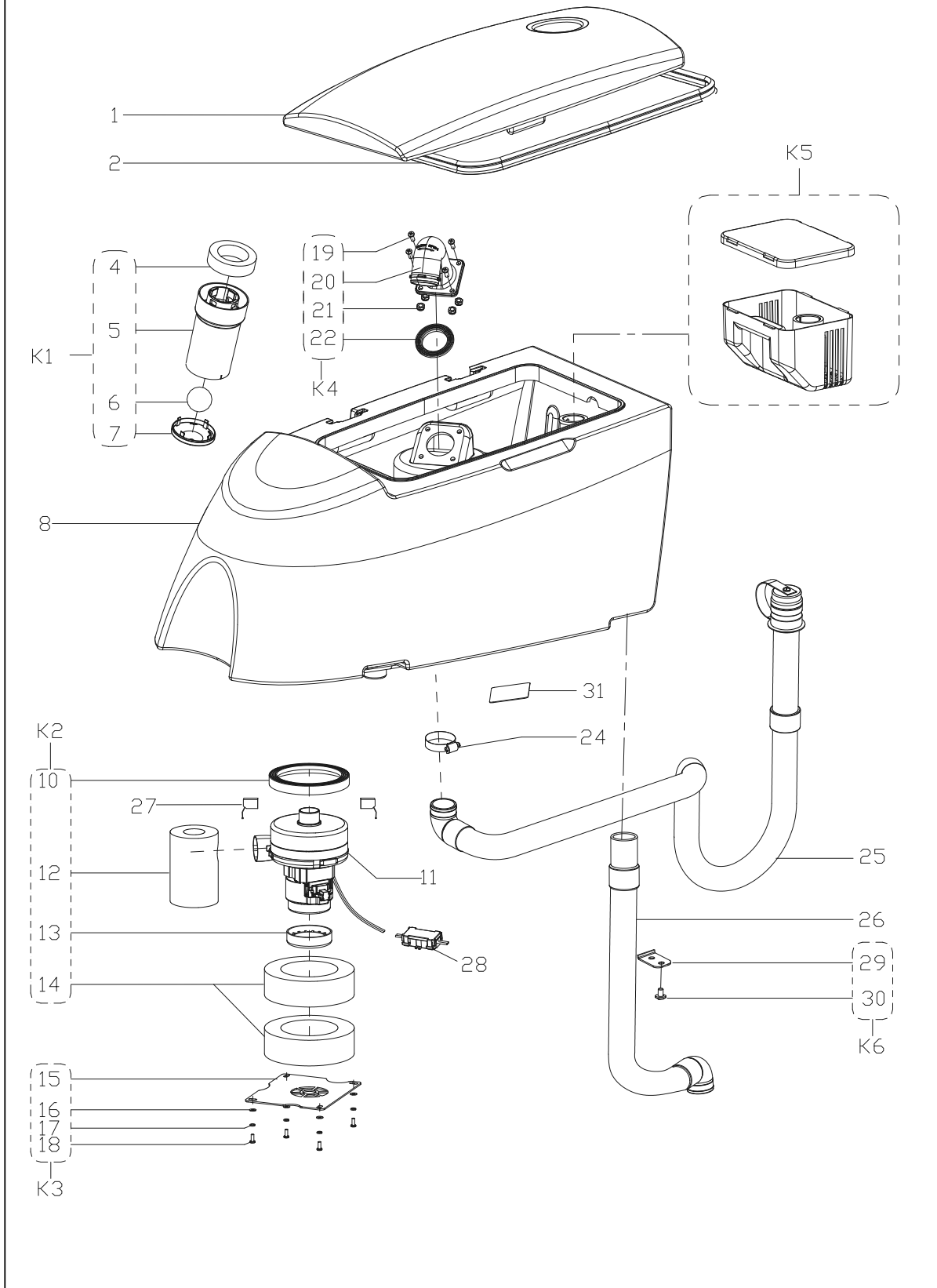
B: ONLY FOR DISC MACHINE WITH TRACTION (CA60 20TD)

C: ONLY FOR 20INCH ORBITAL MACHINE (CA60 20B)

D: ONLY FOR 24INCH ORBITAL MACHINE (CA60 24B)

# PARTS LIST

## RECOVERY TANK ASSEMBLY



## PARTS LIST

### RECOVERY TANK ASSEMBLY

Kit	Item	Part No.	Description	Qty
	1	VS13303A	RECOVERY TANK LID	1
	2	VS13607	GASKET	1
K1	4	VF90530	CAGE,FLOAT COMPLETE	1
K1	5		FLOAT BRACKET	1
K1	6	30010021	FLOATE	1
K1	7		FLOATE BRACKET COVER	1
	8A/8B	VS13304A	RECOVERY TANK	1
	8C/8D	VS13329	RECOVERY TANK ORBITAL	1
K2	10		GASKET	1
	11	VF90520	VACUUM MOTOR	1
K2	12	VF85319	ACOUSTIC INSULATION PIPE	1
K2	13		TOP GASKET OF SUCTION MOTOR	1
K2	14	VS10007	ACOUSTIC INSULATION PIPE	2
k3	15	VS10419	VACUUM MOTOR COVER	1
K3	16		WASHER Ø6XØ18X1.5	4
K3	17		SPRING WASHER Ø5	4
K3	18		SCREW TM5X15	5
K4	19		SCREW TM6X20	4
K4	20		ELBOW ADAPTOR,FLOAT	1
K4	21		NUT LOCK M6	4
K4	22		FLOAT GASKET	1
	24	VA20304	CLAMP	1
	25	VS13602	DRAIN HOSE	1
	26	VS10601	SUCTION HOSE	1
	27	VF90522	CARBON BRUSH KIT	2
	28	VR27100	WATERPROOF CASE	1
	29		HOSE CLAMP	1
	30		SCREW TM5X12	1
	31	VS13097	BATTERIES CHANGING WARNING LABEL	1
	K1	VF90534	FLOAT KIT	1
	K2	VS10112	GASKET VACUUM MOTOR KIT	1
	K3	VS10113	VACUUM MOTOR COVER KIT	1
	K4	VS13720	ELBOW ADAPTOR KIT	1
	K5*	VS13758	TRAY DEBRIS KIT	1
	K6	VS13794	HOSE CLAMP KIT	1

A: ONLY FOR DISC MACHINE WITHOUT TRACTION (CA60 20D)

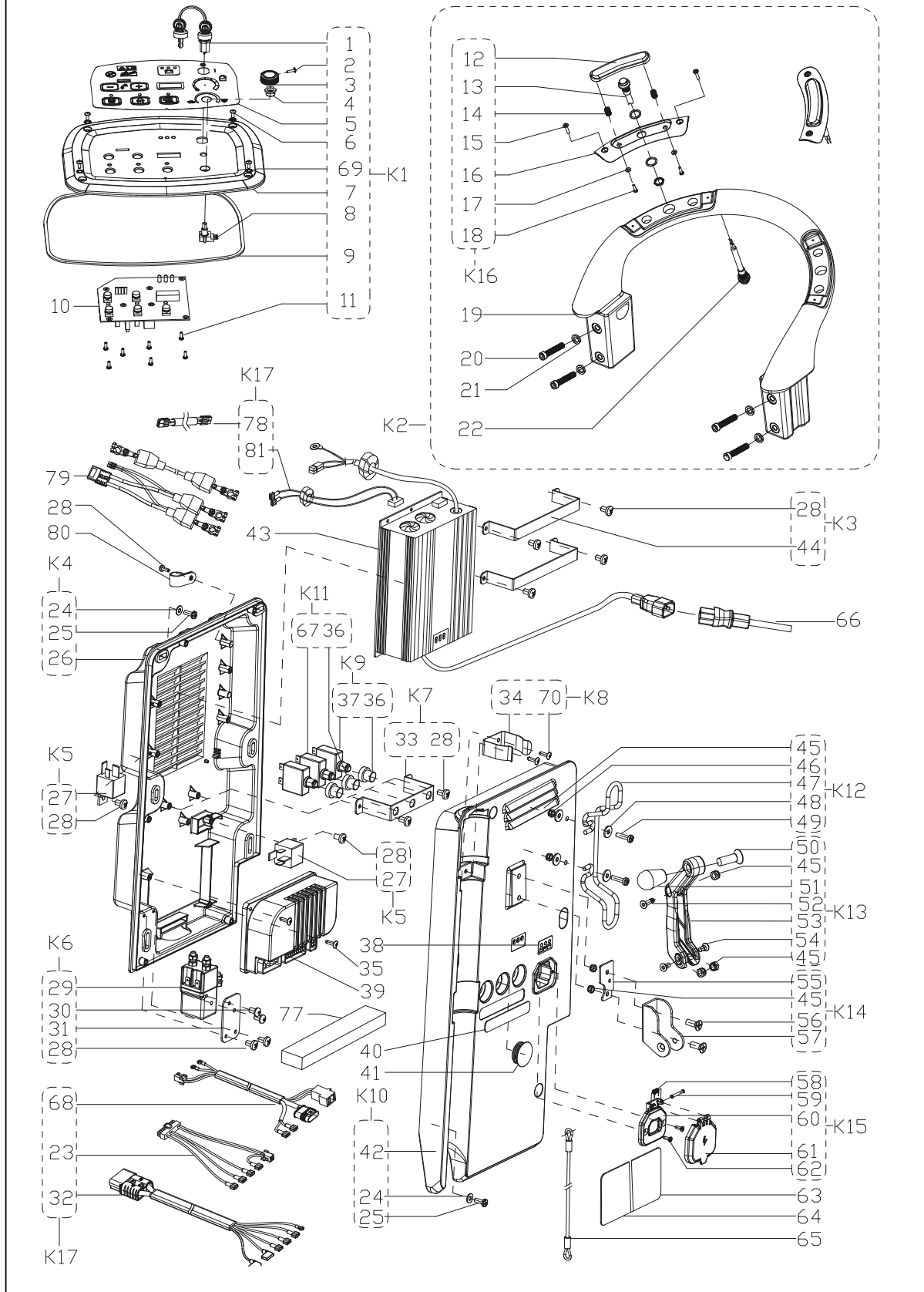
B: ONLY FOR DISC MACHINE WITH TRACTION (CA60 20TD)

C: ONLY FOR 20INCH ORBITAL MACHINE (CA60 20B)

D: ONLY FOR 24INCH ORBITAL MACHINE (CA60 24B)

# PARTS LIST

## HANDLE BAR AND CONTROL SYSTEM AND ELECTRICAL SYSTEM





## PARTS LIST

### HANDLE BAR AND CONTROL SYSTEM AND ELECTRICAL SYSTEM

Kit	Item	Part No.	Description	Qty
K1	1	9100001354	KEY SWITCH	1
K1	2B/2C/2D		SCREW ST3.5X12	1
K1	3B/3C/3D	VS10315	ADJUST SPEED KNOB	1
K1	4B/4C/4D		KNOB NUT	1
K1	5A	VS13035	CONTROL PANEL DECAL WITHOUT TRACTION DISC	1
K1	5B	VS13083	CONTROL PANEL DECAL WITH TRACTION DISC	1
K1	5C/5D	VS13036	CONTROL PANEL DECAL ORBITAL	1
K1	6		SCREW M4X10	4
K1	7	VS13317	CONTROL PANEL	1
K1	8B/8C/8D	VS10213	POTENTIOMETER	1
	9	VS13604	EVA GASKET	1
K1	10A/10B	VS13251	CONTROL PANEL BOARD DISC	1
	10C/10D	VS13250	CONTROL PANEL BOARD ORBITAL	1
K1	11		SCREW ST3.5X9.5	7
K16	12		SAFETY SWITCH KNOB	1
K16	13	VS10202	SWITCH	1
K16	14		SPRING	2
K16	15		SCREW ST3.5X12	2
K16	16		SAFETY SWITCH COVER	1
K16	17		WASHER Ø3.6XØ8X0.5	2
K16	18		SCREW PA3X12	2
K2	19A	VS13302A	HANDLEBAR WITHOUT TRACTION	1
K2	19B/19C/19D	VS13309A	HANDLEBAR WITH TRACTION	1
K2	20		SCREW M8X40	4
K2	21		SPRING WASHER Ø8	4
K2	22B/22C/22D	VS10202	SWITCH	1
K17	23A	VS10218	HARNESS CONTROL CIRCUIT WITHOUT TRACTION	1
K17	23B/23C/23D	VS10208	HARNESS CONTROL CIRCUIT WITH TRACTION	1
K4/K10	24		WASHER Ø4	10
K4/K10	25		SCREW M4X16	10
K4	26		CONTROL BOX BOTTOM	1
K5	27	VS10201	RELAY 24V	1
K3/K5/K6K7	28	VF13544	SCREW ST4X10	9
K6	29	9095127000	ELECTROMAGNETIC SWITCH 24V	1
K6	30		SCREW PM4X8	2

- A: ONLY FOR DISC MACHINE WITHOUT TRACTION (CA60 20D)  
 B: ONLY FOR DISC MACHINE WITH TRACTION (CA60 20TD)  
 C: ONLY FOR 20INCH ORBITAL MACHINE (CA60 20B)  
 D: ONLY FOR 24INCH ORBITAL MACHINE (CA60 24B)

## PARTS LIST

### HANDLE BAR AND CONTROL SYSTEM AND ELECTRICAL SYSTEM

Kit	Item	Part No.	Description	Qty
K6	31		RELAY FIXED PLATE	1
K17	32A	VS13206	HARNESS CONNECTOR WITHOUT TRACTION	1
K17	32B/32C/32D	VS13202	HARNESS CONNECTOR WITH TRACTION	1
K7	33		FIX BRACKET	1
K8	34		CLAMP DRAIN HOSE	1
K8	35		SCREW 3.5X16	4
K9	36		CIRCUIT BREAKER CAP	1
K9	37	ZD48320	CIRCUIT BREAKER	1
	38		LABEL BATTERY LEVEL	1
	39B	VS10209	ELECTRONIC BOARD TRACTION SYSTEM DISC	1
	39C/39D	VS13215	ELECTRONIC BOARD TRACTION SYSTEM ORBITAL	1
	40A		RESET LABEL WITHOUT TRACTION	1
	40B/40C/40D		RESET LABEL WITH TRACTION	1
	41 A		CAP BLACK	1
K10	42		CONTROL BOX COVER	1
K18	43	VS13260	CHARGER 24V 13A US	1
K3	44		CHARGER FIX BRACKET	2
K12/K13/K14	45		NUT LOCK M5	5
K12	46		WASHER Ø5X Ø12X1	2
K12	47		CABLE SUPPORT	1
K12	48		WASHER Ø6.2X Ø16X1	2
K12	49		SCREW M5X16	2
K13	50		SCREW M10X30	1
K13	51		KNOB	1
K13	52		SCREW M5X20	1
K13	53		HANDLE LIFT	1
K13	54		SCREW M5	2
K14	55		HAND FIX PANEL	1
K14	56		SCREW M5X25	2
K14	57		HAND BRACKET	1
K15	58		SPRING	1
K15	59		ROLLER	1
K15	60		CHARGER SOKET FIX	1
K15	61		CHARGER SOKET COVER	1
K15	62		SCREW ST4X16 KA	2
	63		WARNING LABEL	1
	64		SERIAL NUMBER LABEL	1

- A: ONLY FOR DISC MACHINE WITHOUT TRACTION (CA60 20D)  
 B: ONLY FOR DISC MACHINE WITH TRACTION (CA60 20TD)  
 C: ONLY FOR 20INCH ORBITAL MACHINE (CA60 20B)  
 D: ONLY FOR 24INCH ORBITAL MACHINE (CA60 24B)

## PARTS LIST

### HANDLE BAR AND CONTROL SYSTEM AND ELECTRICAL SYSTEM

Kit	Item	Part No.	Description	Qty
	65	VS13503	CABLE SQUEEGEE LIFT	1
	66	VF89724	BATTERY CHARGING CABLE	1
K11	67B	VF99012	CIRCUIT BREAKER WITH TRACTION DISC	1
	67C/67D	VF99010C	CIRCUIT BREAKER WITH TRACTION ORBITAL	1
K17	68A/68B		HARNESS BRUSH MOTOR DISC	1
	68C/68D		HARNESS BRUSH MOTOR ORBITAL	1
K1	69		WASHER Ø5.5XØ11X0.8	4
K8	70		SCREW M4X16	2
K18	77		SPONGE	1
K18	78		EXTENSION WIRE	1
K18	79		BATTERY CONNECTIONS	1
K18	80		CABLE CLIP	1
	81		CHARGER WIRE	1
	K1A	VS13779	CONTROL PANEL KIT WITHOUT TRACTION DISC	1
	K1B	VS13780	CONTROL PANEL KIT WITH TRACTION DISC	1
	K1C/K1D	VS13781	CONTROL PANEL KIT ORBITAL	1
	K2A	VS13727	HANDLE KIT WITHOUT TRACTION	1
	K2B/K2C/K2D	VS13728	HANDLE KIT WITH TRACTION	1
	K3	VS10125	CHARGER FIX BRACKET KIT	1
	K4	VS10121	CONTROL BOX BOTTOM KIT	1
	K5A	VS10230	RELAY KIT	1
	K5B/K5C/K5D	VS10230	RELAY KIT	2
	K6	VS10231	ELECTROMAGNETIC SWITCH KIT	1
	K7	VS10122	FIX BRACKET KIT	1
	K8	VF90275	CLAMP DRAIN HOSE KIT	1
	K9	VS10232	CIRCUIT BREAKER KIT	2
	K10	VS13729	CONTROL BOX COVER KIT	1
	K11B	VS11201	CIRCUIT BREAKER KIT WITH TRACTION DISC	1
	K11C/K11D	VS13783	CIRCUIT BREAKER KIT WITH TRACTION ORBITAL	1
	K12	VF90280	CABLE SUPPORT KIT	1
	K13	VS13730	LEVER SQUEEGEE LIFTING KIT	1
	K14	VF90276	HAND BRACKET KIT	1
	K15	VS10126	CHARGER SOKET KIT	1
K2	K16	VS13731	SWITCH HANDLE ASSY	2
	K17A	VS13789	HARNESS MACHINE KIT WITHOUT TRACTION DISC	1
	K17B	VS13790	HARNESS MACHINE KIT WITH TRACTION DISC	1
	K17C/17D	VS13782	HARNESS MACHINE KIT ORBITAL	1

A: ONLY FOR DISC MACHINE WITHOUT TRACTION (CA60 20D)

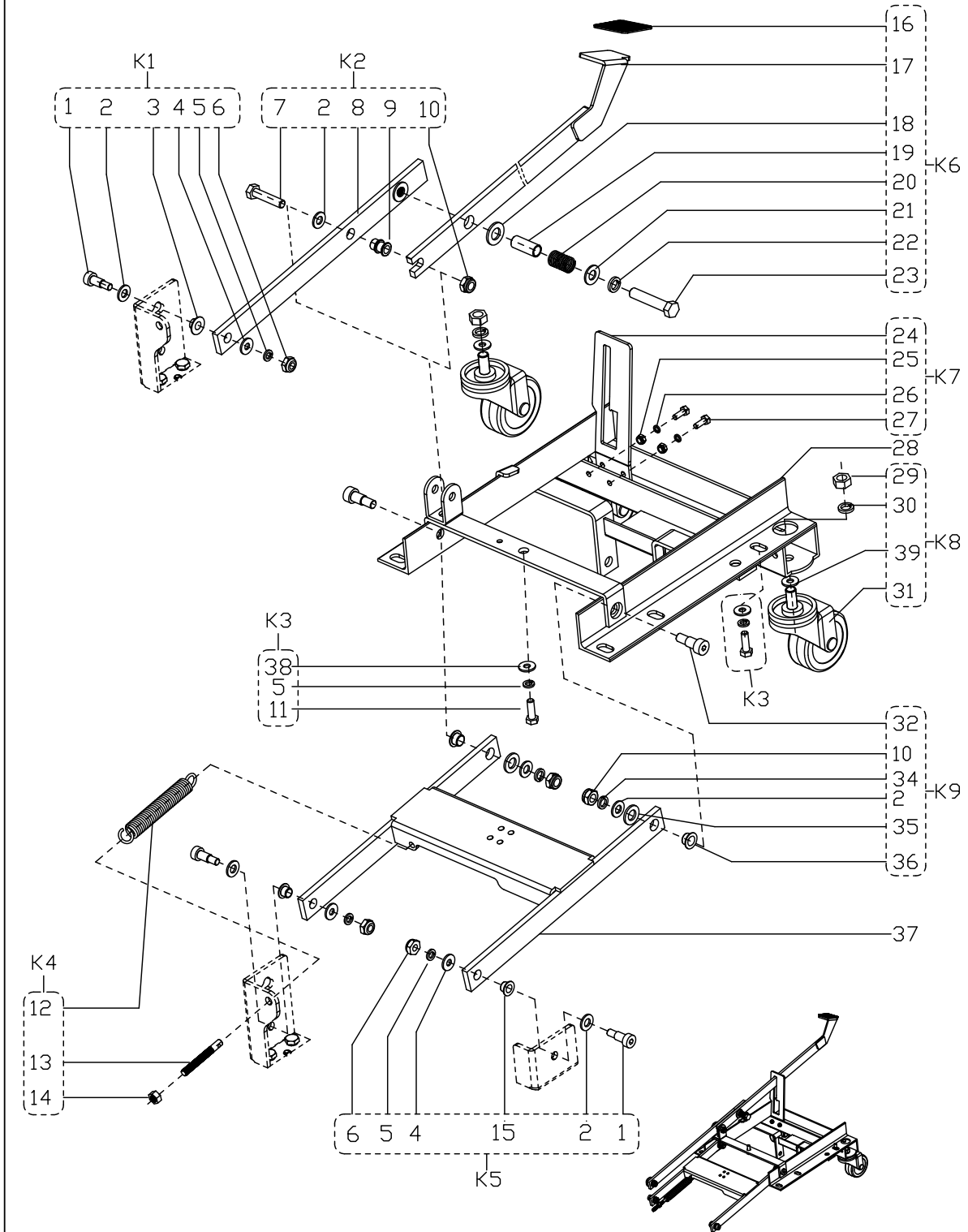
B: ONLY FOR DISC MACHINE WITH TRACTION (CA60 20TD)

C: ONLY FOR 20INCH ORBITAL MACHINE (CA60 20B)

D: ONLY FOR 24INCH ORBITAL MACHINE (CA60 24B)

# PARTS LIST

## CHASSIS ASSEMBLY (ONLY FOR DISC MACHINE)



**PARTS LIST**

**CHASSIS ASSEMBLY (ONLY FOR DISC MACHINE)**

<b>Kit</b>	<b>Item</b>	<b>Part No.</b>	<b>Description</b>	<b>Qty</b>
K1/K5	1		SCREW Ø10X16XM8	3
K1/k2/K5/k9	2		WASHER Ø10.3XØ25X2	4
K1	3		BUSHING	1
K1/ K5	4		WASHER Ø8XØ20X2	3
K1/K3/K5	5		SPRING WASHER Ø8	5
K1/K5	6		NUT LOCK M8	2
K2	7		SCREW M10X45	1
K2	8		FRONT PEDAL BRUSH LIFTING	1
K2	9		BUSHING	1
K2/K9	10		NUT LOCK M10	2
K3	11		SCREW M8X25	3
K4	12		SPRING	1
K4	13		AXIS	1
K4	14		NUT M8	1
K5	15		FLANGE BEARING	2
K6	16		PEDAL LEVER GASKET	1
K6	17		BACK PEDAL BRUSH LIFTING	1
K6	18		WASHER Ø15XØ28X2.5	1
K6	19		BUSHING	1
K6	20		RESET SPRING	1
K6	21		WASHER Ø12XØ24X2	1
K6	22		SPRING WASHER Ø12	1
K6	23		SCREW M12X60	1
K7	24		PEDAL SUPPORT	1
K7	25		NUT LOCK M6	2
K7	26		SPRING WASHER Ø6	2
K7	27		SCREW M6X22	2
	28	VS10406	CHASSIS	1
K8	29		NUT M12	2
K8	30		SPRING WASHER Ø12	2
K8	31	VS10501	3 INCH CASTER	2
K9	32		SCREW Ø12X16XM10	2
K9	34		SPRING WASHER Ø10	2
K9	35		NYLON PAD	2
K9	36		FLANGE BEARING	2
	37	VS10404	BRUSH LIFTING SUPPORT	1

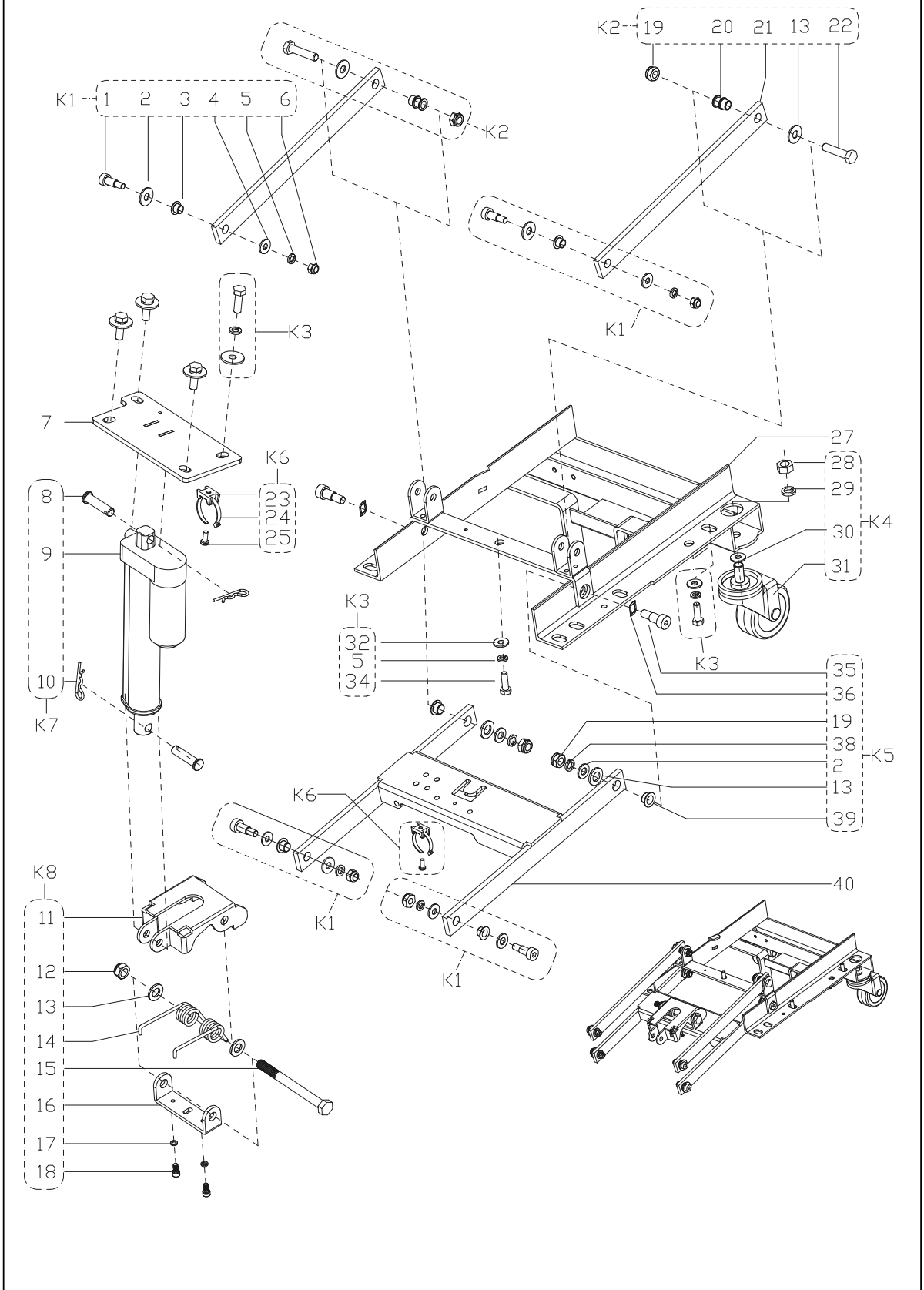
## PARTS LIST

### CHASSIS ASSEMBLY (ONLY FOR DISC MACHINE)

Kit	Item	Part No.	Description	Qty
K3	38		WASHER Ø8xØ26x2	3
	39		WASHER Ø812xØ24x2	2
	K1	VS10134	SCREW KIT 1	1
	K2	VS10138	FORNT PEDAL BRUSH LIFTING KIT	1
	K3	VS10135	SCREW KIT 2	1
	K4	VS10139	SPRING KIT	1
	K5	VS10136	SCREW KIT 3	2
	K6	VS10140	BACK PEDAL BRUSH LIFTING KIT	1
	K7	VS10141	PEDAL SUPPORT KIT	1
	K8	VS10142	3 INCH CASTER KIT	2
	K9	VS10137	SCREW KIT 4	2

# PARTS LIST

## CHASSIS ASSEMBLY (ONLY FOR ORBITAL MACHINE)



**CHASSIS ASSEMBLY (ONLY FOR ORBITAL MACHINE)**

Kit	Item	Part No.	Description	Qty
K1	1		SCREW Ø10X16XM8	4
K1/K5	2		WASHER Ø10.3XØ25X2	4
K1	3		BUSHING	4
K1	4		WASHER Ø8XØ20X2	4
K1/K3	5		SPRING WASHER Ø8	4
K1	6		NUT LOCK M8	4
	7	VS13402	ACTUATOR HOLDER	1
K7	8		PIN	2
K7	9	VS10704	ACTUATOR	1
K7	10		SPLIT PIN	2
K8	11		SWING ARM	1
K8	12		NUT LOCK M12	1
K8/ K2/K5	13		NYLON WASHER	2
K8	14	VS13613	TORSIONAL SPRING	1
K8	15		SCREW M12X115	1
K8	16		SWING ARM HOLDER	1
	17		SPRING WASHER Ø 6	2
	18		SCREW M6X12	2
K2/K5	19		NUT LOCK M10	2
K2	20		BUSHING	2
K2	21		CONNECTING ROD	2
K2	22		SCREW M10X45	2
K6	23		FLAT TIE HOLDER	1
K6	24		CLAMP	1
K6	25		SCREW TM5X12	1
	27	VS13431	CHASSIS	1
K4	28		NUT M12	2
K4	29		SPRING WASHER Ø12	2
K4	30		WASHER Ø12xØ24x2	2
K4	31	VS13623	3 INCH CASTER	2
K3	32		WASHER Ø8xØ26x2	9
K3	34		SCREW M8X25	9
K5	35		SCREW Ø12X16XM10	2
K5	36		WAVE WASHER	2
K5	38		SPRING WASHER Ø 10	2
K5	39		BUSHING	2
	40	VS10404	BRUSH LIFTING SUPPORT	1
	K1	VS10136	SCREW KIT 1	4
	K2#	VS13760	CONNECTING ROD WITH SCREW K2	2
	K3	VS10135	SCREW KIT 3	9

# : REVISED OR NEW SINCE LAST UPDATE



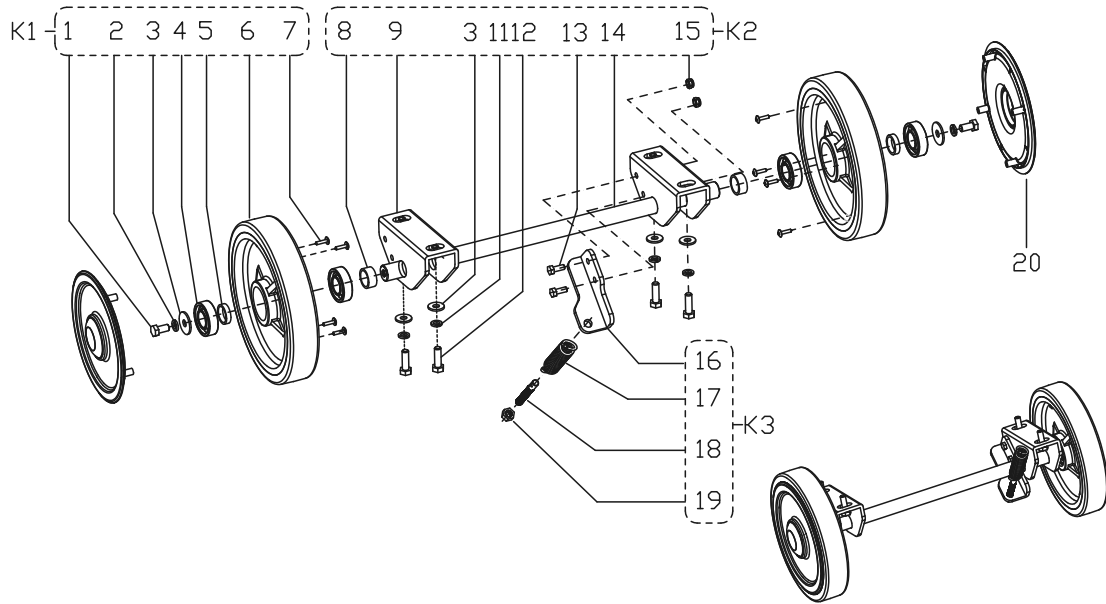
**CHASSIS ASSEMBLY (ONLY FOR ORBITAL MACHINE)**

<b>Kit</b>	<b>Item</b>	<b>Part No.</b>	<b>Description</b>	<b>Qty</b>
	K4	VS13757	3 INCH CASTER KIT	2
	K5#	VS13761	SCREW KIT 4 FOR CHASSIS	2
	K6	VS13702	WIRE CLASPS KIT	2
	K7	VS13762	ACTUATOR KIT	1
	K8	VS13763	SPRING HOLDER KIT	1

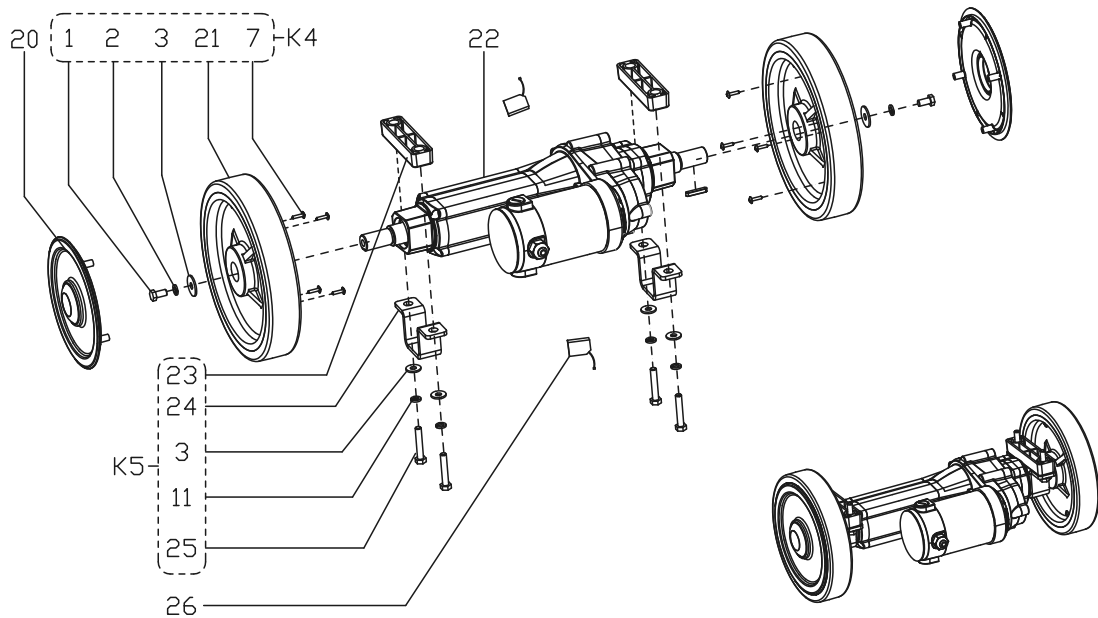
# : REVISED OR NEW SINCE LAST UPDATE

# PARTS LIST

## WHEEL ASSEMBLY (ONLY FOR DISC MACHINE WITHOUT TRACTION)



## WHEEL ASSEMBLY (ONLY FOR DISC MACHINE WITH TRACTION)



## PARTS LIST

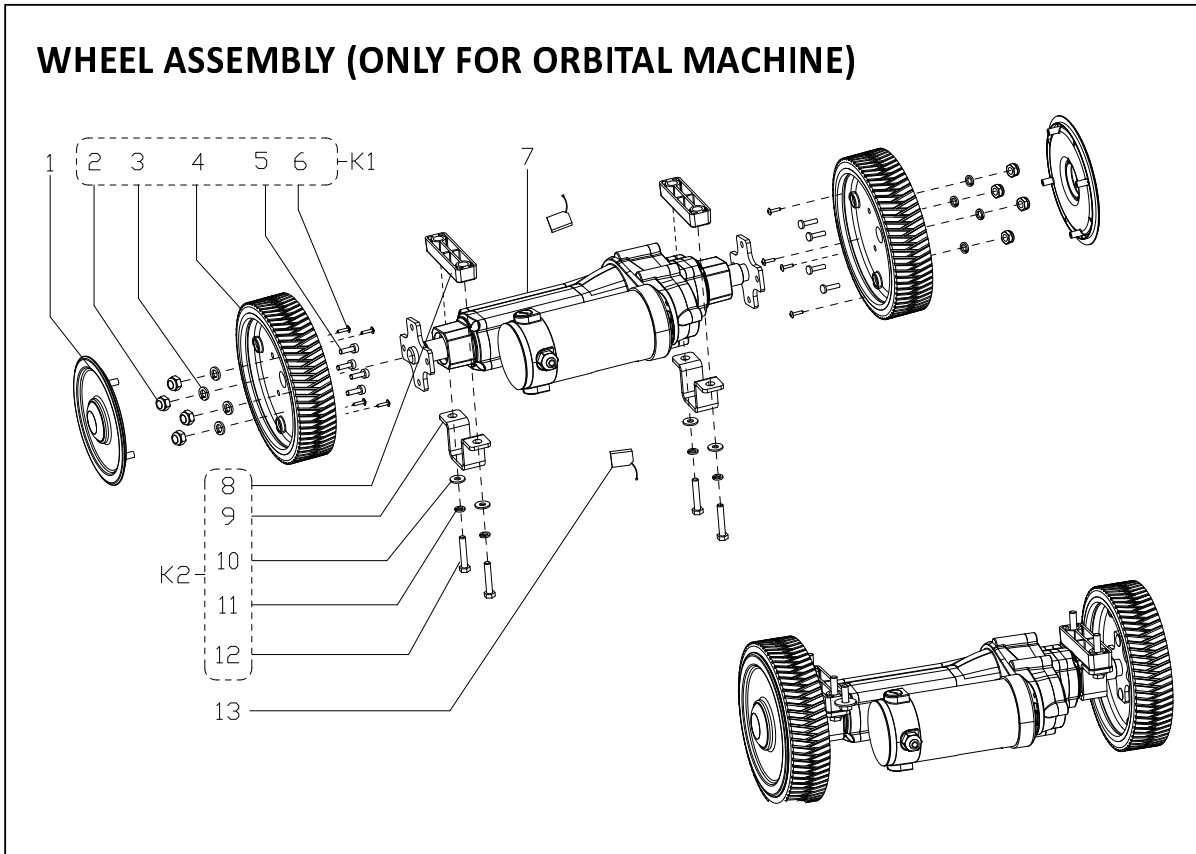
### WHEELS ASSEMBLY (ONLY FOR DISC MACHINE)

Kit	Item	Part No.	Description	Qty
K1/K4	1		SCREW M8X16	2
K1/K4/K2	2		SPRING WASHER Ø8	2
K1/K4	3		WASHER Ø8XØ26X2	8
K1	4A	VF14075	BEARING 6004RS	2
K1	5A		SPACER Ø20XØ24.5X6	1
K1	6A		8 INCH WHEEL	1
K1/K4	7		SCREW ST3.5X16	8
K2	8A		SPACER Ø20XØ24.5X15	2
K2	9A		WHEEL SHAFT FIXED PLATE	2
K2/K5	11		SPRING WASHER Ø8	8
K2	12A		SCREW M8X25	4
K2	13A		SCREW M6X16	2
K2	14A		SHEEFT WHEEL	1
K2	15A		NUT LOCK M6	2
K3	16A		PRESSURE SPRING FIXED BLOCK	1
K3	17A		SPRING	1
K3	18A		AXIS	1
K3	19A		NUT M8	1
	20	VS13314	WHEEL COVER	2
	21B		8 INCH WHEEL	2
	22B	VS11702	MOTOR TRACTION	1
K5	23B		TRACTION MOUNT BLOCK	2
K5	24B		TRACTION MOUNT	2
K5	25B		SCREW M8X45	4
	26	VS11703	CARBON BRUSH KIT	2
	K1A	VS13754	8 INCH WHEEL WITHOUT TRACTION KIT	2
	K2A	VS10144	WHEEL SHAFT FIXED PLATE KIT	1
	K3A	VS10145	SPRING KIT	1
	K4B	VS13755	8 INCH WHEEL WITH TRACTION KIT	2
	K5B	VS10147	TRACTION MOUNT KIT	2

A: ONLY FOR DISC MACHINE WITHOUT TRACTION (CA60 20D)

B: ONLY FOR DISC MACHINE WITH TRACTION (CA60 20TD)

## PARTS LIST

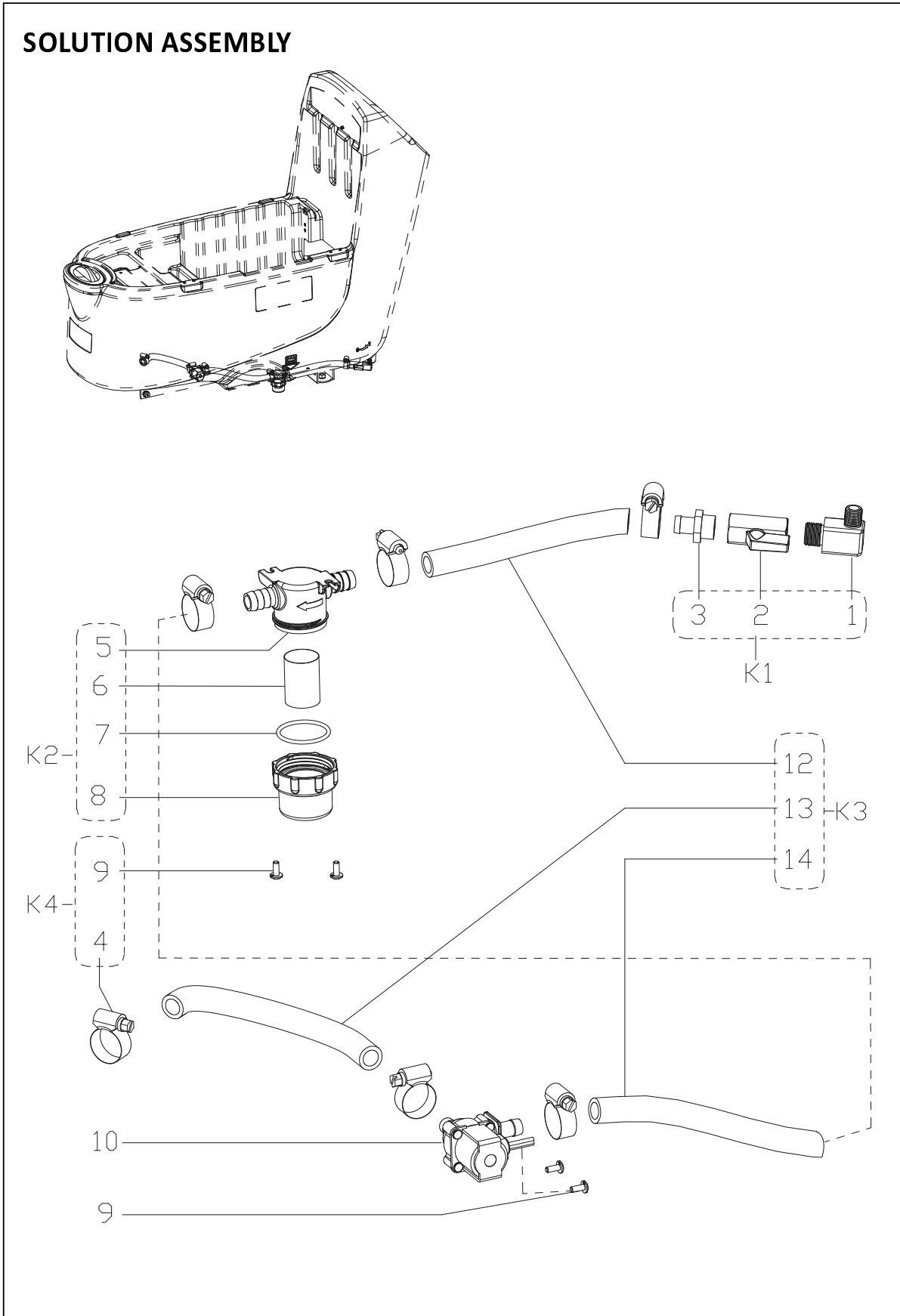


### WHEELS ASSEMBLY (ONLY FOR ORBITAL MACHINE)

Kit	Item	Part No.	Description	Qty
	1	VS13314	WHEEL COVER	2
K1	2		NUT LOCK M6	8
K1	3		WASHER Ø6	8
K1	4	VS13624	8 INCH WHEEL WITH TRACTION	2
K1	5		SCREW M6	8
K1	6		SCREW ST3.5X16	8
	7	VS11704	250W MOTOR TRACTION	1
K2	8		TRACTION MOUNT BLOCK	2
K2	9		TRACTION MOUNT	2
K2	10		WASHER Ø8XØ26X2	4
K2	11		SPRING WASHER Ø8	4
K2	12		SCREW M8X45	4
	13	VS11703	CARBON BRUSH KIT	2
	K1	VS13756	8 INCH WHEEL TRACTION KIT	2
	K2	VS10147	TRACTION MOUNT KIT	2

# PARTS LIST

## SOLUTION ASSEMBLY



## PARTS LIST

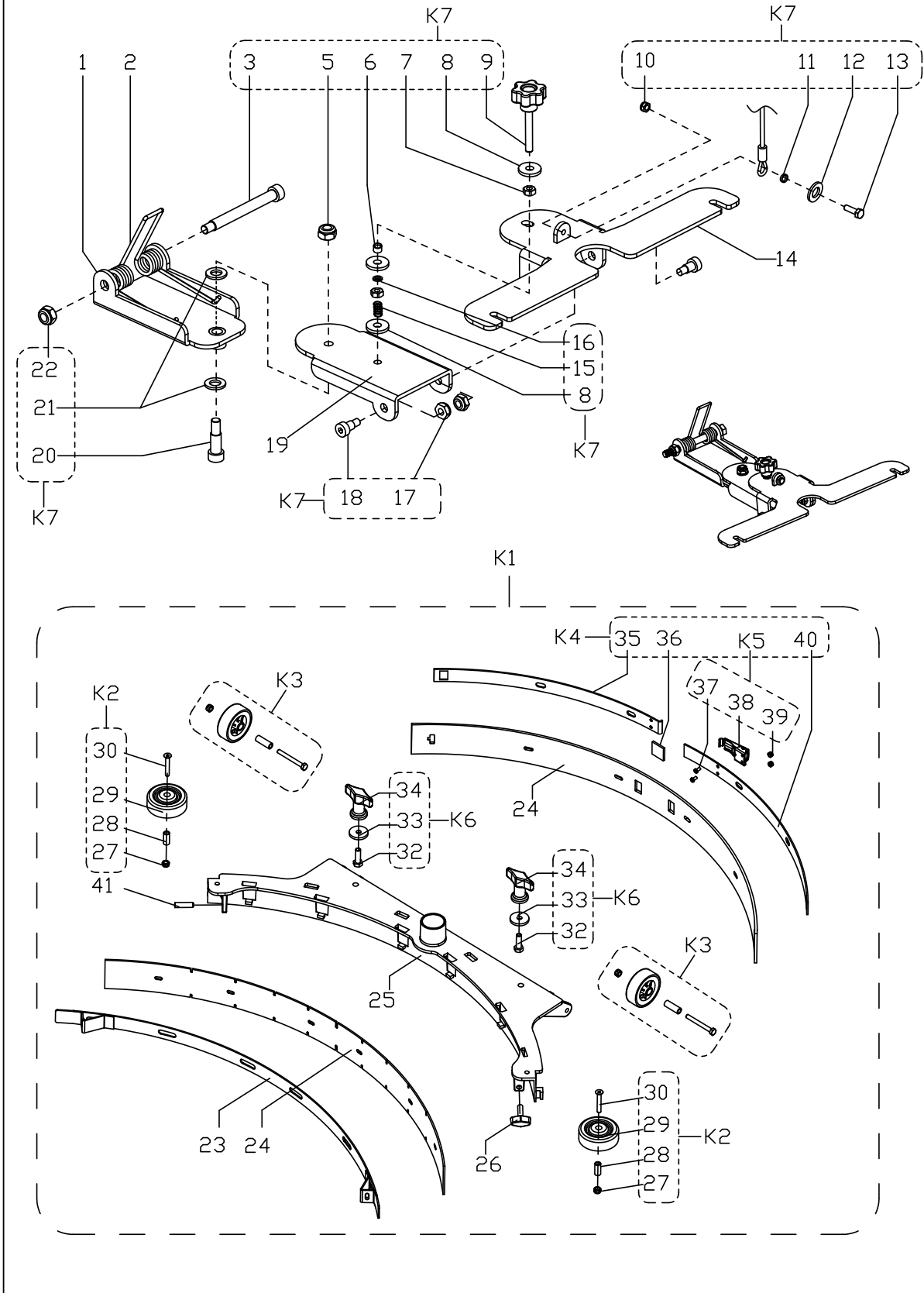
### SOLUTION ASSEMBLY

Kit	Item	Part No.	Description	Qty
K1	1		ELBOW 90 BRASS	1
K1	2		BALL VALVE	1
K1	3		CONNECTOR	1
K4	4		CLAMP	6
K2	5		FILTER BASE	1
	6	VF90608	FILTER NET	1
K2	7		O-RING	1
K2	8		FILTER COVER	1
K4	9		SCREW M4X10	4
	10	VF90282	SOLENOID VALVE	1
K3A	12A/12B		TUBE Ø 20MM L250mm	1
K3A	13A/13B		TUBE Ø20MM L240mm	1
K3A	14A/14B		TUBE Ø20MM L235mm	1
K3B	12C/12D		STEEL TUBE Ø 20MM L230mm	1
K3B	13C/13D		STEEL TUBE Ø20MM L260mm	1
K3B	14C/14D		STEEL TUBE Ø20MM L260mm	1
	K1	VF91064	BALL VALVE KIT	1
	K2	VF90621	FILTER KIT	1
	K3A/K3B	VS10149	TUBE KIT 750mm	1
	K3C/35D	VS13793	STEEL TUBE KIT 750mm	1
	K4	VS10148	SCREW AND CLAMP KIT	1

- A: ONLY FOR DISC MACHINE WITHOUT TRACTION (CA60 20D)  
 B: ONLY FOR DISC MACHINE WITH TRACTION (CA60 20TD)  
 C: ONLY FOR 20INCH ORBITAL MACHINE (CA60 20B)  
 D: ONLY FOR 24INCH ORBITAL MACHINE (CA60 24B)

# PARTS LIST

## SQUEEGEE ASSEMBLY



**PARTS LIST**

**SQUEEGEE ASSEMBLY**

Kit	Item	Part No.	Description	Qty
	1	VS10401	FRONT SQUEEGEE SUPPORT	1
	2	VF91014	SPRING	1
K7	3		SCREW M12X115	1
K7	5		NUT LOCK M10	1
K7	6		SPACER Ø8XØ10X6	1
K7	7		NUT M8	2
K7	8		WASHER Ø8XØ16.5X1	3
K7	9	VF85143	HAND WHEEL	1
K7	10		NUT LOCK M6	1
K7	11		SPACER	1
K7	12		WASHER Ø6.2X Ø16X2	1
K7	13		SCREW M6X20	1
	14	VF91012	COATING SQUEEGEE CONNECTOR PLATE	1
K7	15		SPRING	1
K7	16		SPRING WASHER, Ø8	1
K7	17		NUT LOCK M8	2
K7	18		SCREW Ø10X11.5XM8	2
	19	VS13401	BACK SQUEEGEE SUPPORT	1
K7	20		SCREW Ø12X16XM10	1
K7	21		NYLON SPACER	2
K7	22		NUT LOCK M12	1
K1	23	VF85311	STRAP.SQUEEGEE FRONT	1
K1	24*	VF91113	BLADES NON-MARKING KIT 740MM/29 KIT	1
K1	24*	VF91116	BLADES PU KIT 740MM/29	1
K1	25	VF85305	WELDMENT.SQUEEGEE TOOL	1
K1	26	VF85420	KNOB M8X30 SS	1
K2	27		LOCK SELF L.M6 UNI7474 SS	2
K2	28		SPACER Ø6.3XØ9.5X21	2
K2	29		ROLLER BUMPER	2
K2	30		SCREW M6X40 UNI5933	2
K3	31		WHEEL 60X20 WITH BUSHING	2
K6	32		SCREW HEX THD 5/16X1-1/4 UNC	2
K6	33		WASHER.RUBBER	2



## PARTS LIST

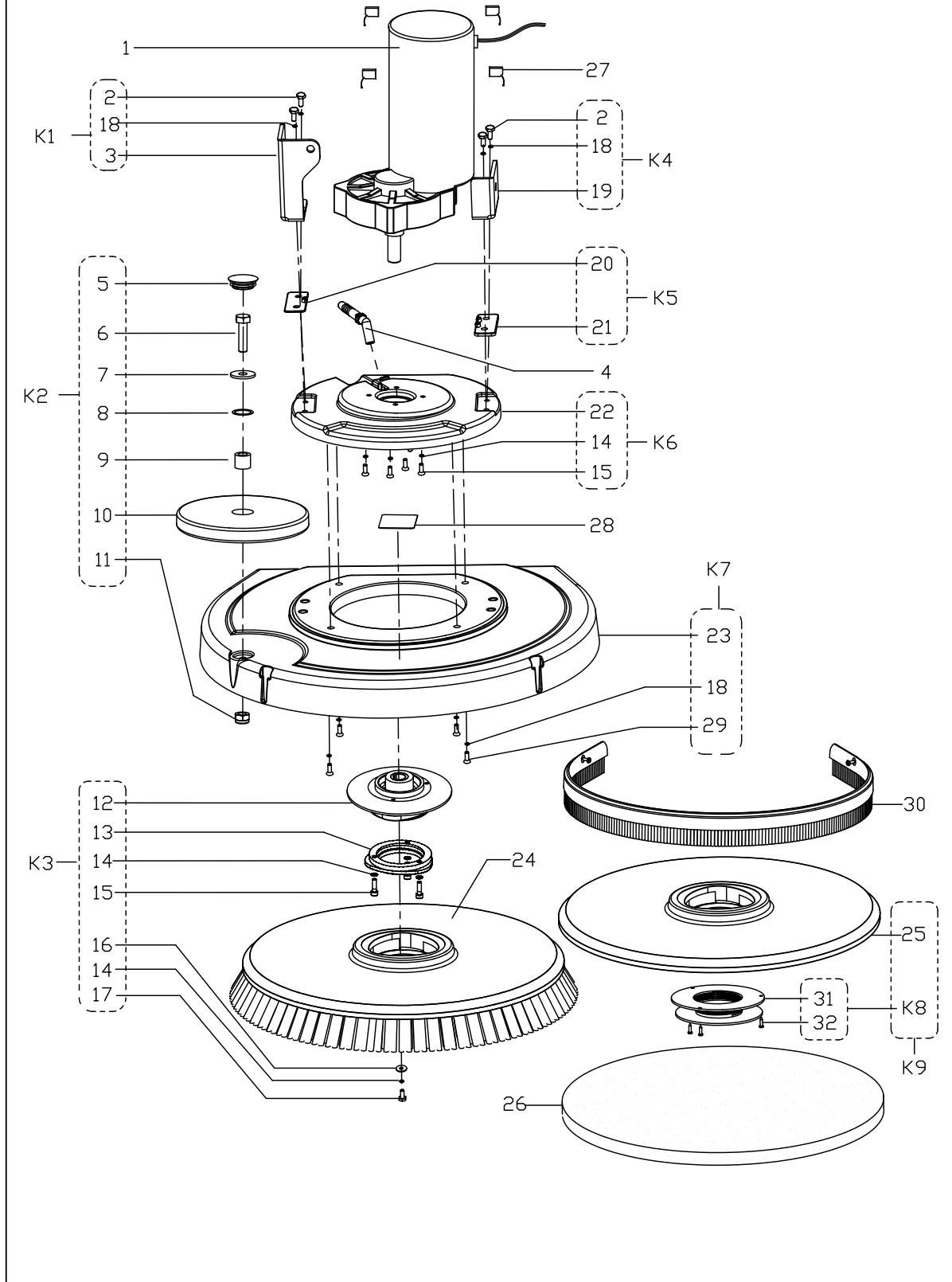
---

### SQUEEGEE ASSEMBLY

Kit	Item	Part No.	Description	Qty
K6	34		NUT THUMB SQUEEGEE FIXING	2
K4	35		STRAP.SQUEEGEE LEFT REAR	1
K4	36		SPACER.RUBBER	1
K5	37		SCREW M4X10 UNI7687 SS	2
K5	38		LATCH SQUEEGEE	1
K5	39		NUT LOCK M4	2
K4	40		STRAP.SQUEEGEE RIGHT REAR	1
K1	41	VF14529	SCREW GRUB M8X30 UNI5739 SS	1
	K1	VF85005	SQUEEGEE CPL ALU 760MM/30 KIT	1
K1	K2	VF85015	ROLLER BUMPER SQUEEG.KIT	1
K1	K3	VF85014	WHEELS SQUEEGEE 60X20MM KIT	1
K1	K4	VF85013	HARDWARE SQU.BLADE FIXING KIT	1
K1	K5	VF85003	LATCH SQUEEGEE KIT	1
K1	K6	VF91092	SQUEEGEE FIXING KIT	1
	K7	VS13759	HARDWARE SQUEEGEE SUPPORT KIT	1

# PARTS LIST

## BRUSH ASSEMBLY (ONLY FOR DISC MACHINE)



## PARTS LIST

### BRUSH ASSEMBLY (ONLY FOR DISC MACHINE)

Kit	Item	Part No.	Description	Qty
	1	VS10702	BRUSH MOTOR KIT	1
K1/K4	2		SCREW M8X25	4
K1	3		LONG CONNECTION PLATE	1
	4	VS10337	ELBOW	1
K2	5		CAP. BLACK	1
K2	6		SCREW M8X30	1
K2	7		FLAT WASHER Ø 24X Ø 8X2	1
K2	8		WAVE WASHER Ø15	1
K2	9		SPACER Ø 15XØ13X9	1
K2	10	VF91053	ROLLER BUMPER	1
K2	11		LOCK NUT M8	1
K3	12	VF85122	HUB BRUSH R.GEARMOTOR RIGHT	1
K3	13	VF85129	HUB BRUSH	1
K3/K6	14		SPRING WASHER,Ø6	8
K3/K6	15		SCREW M6X20	7
K3	16		WASHER Ø 22X Ø 6X2	1
K3	17		SCREW M6X20	1
K1/K4/K7	18		SPRING WASHER Ø8	8
K4	19		SHORT CONNECTION PLATE	1
K5	20A		THIN PLATE T=1.8 MM	1
K5	21A		THICK PLATE T=4 MM	1
K6	22		MOTOR FIXING PLATE	1
K7	23		BRUSH DECK	1
	24*	VF91040	BRUSH	1
K9	25	VF85461SZ	PAD HOLDER 19 480MM	1
	26*		PAD	1
	27	VF89116	CARBON BRUSH KIT	4
	28	VS13092	NFSI LABEL	1
K7	29		SCREW M8X20	4
K9	30	VS13752	SPLASH GUARD 510MM	1
K8/K9	31	VF99003A	RETAINER PAD	1
K8/K9	32	VA13477	SCREW ST4X15	3
	K1	VS10127	LONG CONNECTION PLATE KIT	1
	K2	VF85017	ROLLER BUMPER KIT	1

A: ONLY FOR DISC MACHINE WITHOUT TRACTION (CA60 20D)

B: ONLY FOR DISC MACHINE WITH TRACTION (CA60 20TD)

## PARTS LIST

---

### BRUSH ASSEMBLY(ONLY FOR DISC MACHINE)

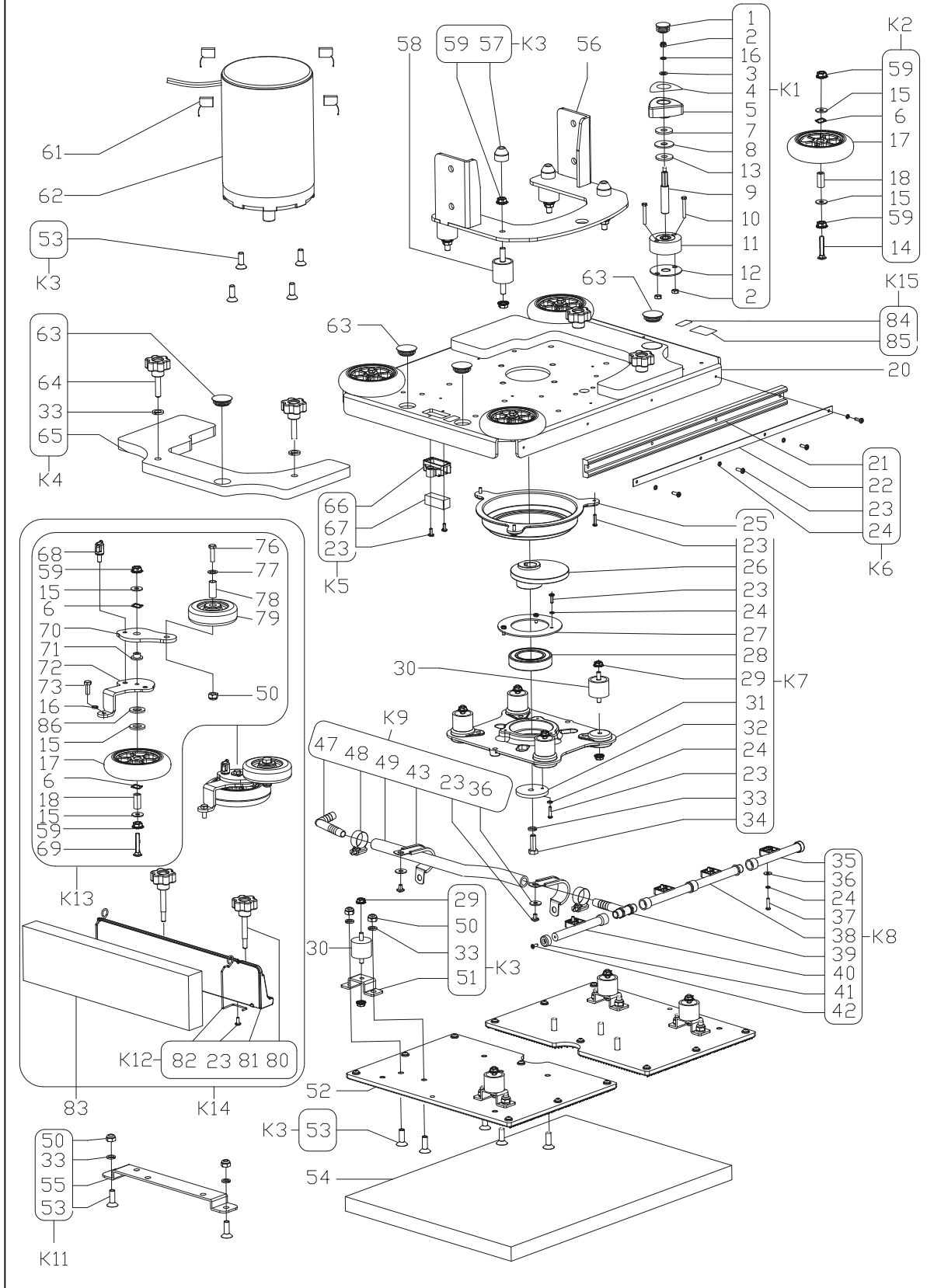
Kit	Item	Part No.	Description	Qty
	K3	VF85002	HOLDER POLYG W/FLAGE KIT	1
	K4	VS10132	SHORT CONNECTION PLATE KIT	1
	K5A	VS13712	PLATE KIT	1
	K6	VS10128	MOTOR FIXING PLATE KIT	1
	K7	VS13713	BRUSH DECK KIT	1
	K8	VS13778	RETAINER PAD KIT	1
	K9	VS13777	PAD HOLDER 19 COMPLETE	1

A: ONLY FOR DISC MACHINE WITHOUT TRACTION (CA60 20D)

B: ONLY FOR DISC MACHINE WITH TRACTION (CA60 20TD)

# PARTS LIST

## ORBITAL ASSEMBLY(ONLY FOR ORBITAL MACHINE)



**ORBITAL ASSEMBLY(ONLY FOR ORBITAL MACHINE)**

Kit	Item	Part No.	Description	Qty
K1	1		CAP	1
K1/K2/K13	2		M6_LOCK_NUT	3
K1/K13	3		WASHER Ø 6X Ø 18X1.5	1
K1	4		DECAL BRUSH ADJUSTING	1
K1	5#	VS13622	KNOB ADJUSTMENT	1
K2/K13	6		WAVE WASHER (SUS)	4
K1	7		WASHER 10X25X2	1
K1	8	VS13618	RUBBER PLATE	1
K1	9	VS13529	DOWEL BROOM PALTEFIXING	1
K1	10		SCREW M6X35 UNI5739	2
K1	11	VF85118	VIBRATION SPACER	1
K1	12		VIBRATION DAMPING PLATE	1
K1	13		Ø 9 X Ø 27 X3, GB/T5287-2002	1
K2	14	VS13530	SCREW 5/16	4
K2	15		WASHER Ø 8X Ø 20X2	8
K1/K13	16		SPRING WASHER, Ø12	2
K2/K13	17	VS13327	4 INCH BUMPER ROLLER	4
K2/K13	18		SLEEVE GUIDE WHEEL	4
K6C	20C	VS13433	PLATE, MAIN,20 INCH ORBITAL	1
K6D	20D	VS13413	PLATE, MAIN,24 INCH ORBITAL	1
K6C	21C		RUBBER BUMPER 20INCH	1
K6D	21D		RUBBER BUMPER 24 INCH	1
K6C	22C		RETAINER, BUMPER 20 INCH	1
K6D	22D		RETAINER, BUMPER 24 INCH	1
K5/K6/K7/K9/K12	23		SCREW TM4*10	17
K6/K7/K8	24		SPRING WASHER Ø 4	14
K7	25	VS12301	DUSTBAND	1
K7	26	VS12403	ECCENTRIC	1
K7	27	VS13435	RETAINER, BEARING	1
	28	50736A	BEARING	1
K7/K10	29		NUT, SERRATED FLANGE1/4	16
	30	56382990	ISOLATOR-1.25 30 DURO 1/4-20	8
K7	31	VS12411	DRIVER PLATE	1
K7	32	VS13434	RETAINER, ECCENTRIC	1
K7/K4/K10/K11	33		SPRING WASHER Ø8	15
K7	34		SCREW M8X20	1
K8	35	VS12309	PIPE B	1

C: ONLY FOR 20INCH ORBITAL MACHINE (CA60 20B)

D: ONLY FOR 24INCH ORBITAL MACHINE (CA60 24B)

# : REVISED OR NEW SINCE LAST UPDATE

## PARTS LIST

REVISED 04/2018

**ORBITAL ASSEMBLY(ONLY FOR ORBITAL MACHINE)**

Kit	Item	Part No.	Description	Qty
K8/K9	36		WASHER	6
K8	37		SCREW TM4*8	5
K8	38	VS12308	PIPE A	3
K8	39	VS13322	T-BRANCH PIPE	1
K8	40	VS13323	PIPE C	1
K8	41		PIPE CAP	2
K8	42		SCREW KA3.5x12	2
K9	43		CLAMP PADS	2
K9	47	VS10328	PIPE JOINT	1
K9	48		CLAMP	3
K9	49	VS13619	PIPE Ø12xØ20	0.33
K10/K11	50		NUT, HEX NYL LOC THIN M8	10
K10	51		SPACER	4
	52C	VS13510	FLEX PLATE ASSY 20 INCH	2
	52D	VS13509	FLEX PLATE ASSY 24 INCH	2
K3/K11	53		SCREW FLT M6X15	20
	54C*	997020	20 INCH RED PAD	1
	54D*		24 INCH RED PAD	1
K11	55	VS13428	BASEBOARD LOCK PLATE	1
	56	VS13417	PLATE HEAD DECK	1
K3	57		RUBBER CAP	4
	58	56380272	ISOLATOR - 50 DURO 5/16 – 18	4
K2/K3	59		NUT SERRATED FLANGE 5/16	16
	61	VF89116	CARBON BRUSH KIT	4
	62	VS10706	ORBITAL MOTOR 750W	1
K4	63	VF85128	CAP	6
K4	64#	VS13525	KNOB SCREW M8X25	4
K4	65		WEIGHT BLOCK	2
K5	66		LEVEL BRACKET	2
K5	67	VS13612	LEVEL	2
K13	68		KNOB	1
K13	69		SCREW 5/16	1
K13	70	VS13430	BUMPER ROLLER GUIDE PLATE	1
K13	71		SLEEVE	1
K13	72	VS13429	BUMPER ROLLER SUPPORT	1

C: ONLY FOR 20INCH ORBITAL MACHINE (CA60 20B)

D: ONLY FOR 24INCH ORBITAL MACHINE (CA60 24B)

# : REVISED OR NEW SINCE LAST UPDATE

**ORBITAL ASSEMBLY(ONLY FOR ORBITAL MACHINE)**

Kit	Item	Part No.	Description	Qty
K13	73		SCREW M6X20	1
K13	76		SCREW	1
K13	77		WASHER	1
K13	78		SLEEVE	1
K13	79	VS12613	3 INCH BUMPER ROLLER	1
K12	80#	VS13527	KNOB SCREW M8X55	2
K12	81	VS13520	BASEBOARD SUPPORT	1
K12	82		SPRING CLAMP	2
K12	83*	56105779	PAD-GROUT-4X20-10/CS	0.1
K15	84		LABEL NO STEP	2
K15	85		LABLE	1
K13	86		NYLON SPACER	1
	K1	VS13764	HORIZONTAL ADJUSTMENT KIT	1
	K2	VS13765	4 INCH BUMPER ROLLER KIT	4
	K3#	VS13766	SUPPORT LOWER ISOLATOR SCREW KIT	4
	K4	VS13767	WEIGHT BLOCK KIT	2
	K5	VS13768	LEVEL KIT	2
	K6C	VS13769	20 INCH RUBBER BUMPER KIT	1
	K6D	VS13795	24 INCH RUBBER BUMPER KIT	1
	K7	VS13770	DRIVER PLATE KIT	1
	K8	VS13771	OUTLET PIPE KIT	1
	K9	VS13772	INLET PIPE KIT	1
	K11	VS13774	BASEBOARD BRUSH HOLD KIT	1
	K12*	VS13775	BASEBOARD BRUSH PLATE KIT	1
	K13*	VS13776	3 INCH BUMPER ROLLER KIT	1
	K14*	VS13747	BASEBOARD BRUSH KIT	1
	K15	VS13787	ORBITAL LABLE KIT	1

C: ONLY FOR 20INCH ORBITAL MACHINE (CA60 20B)

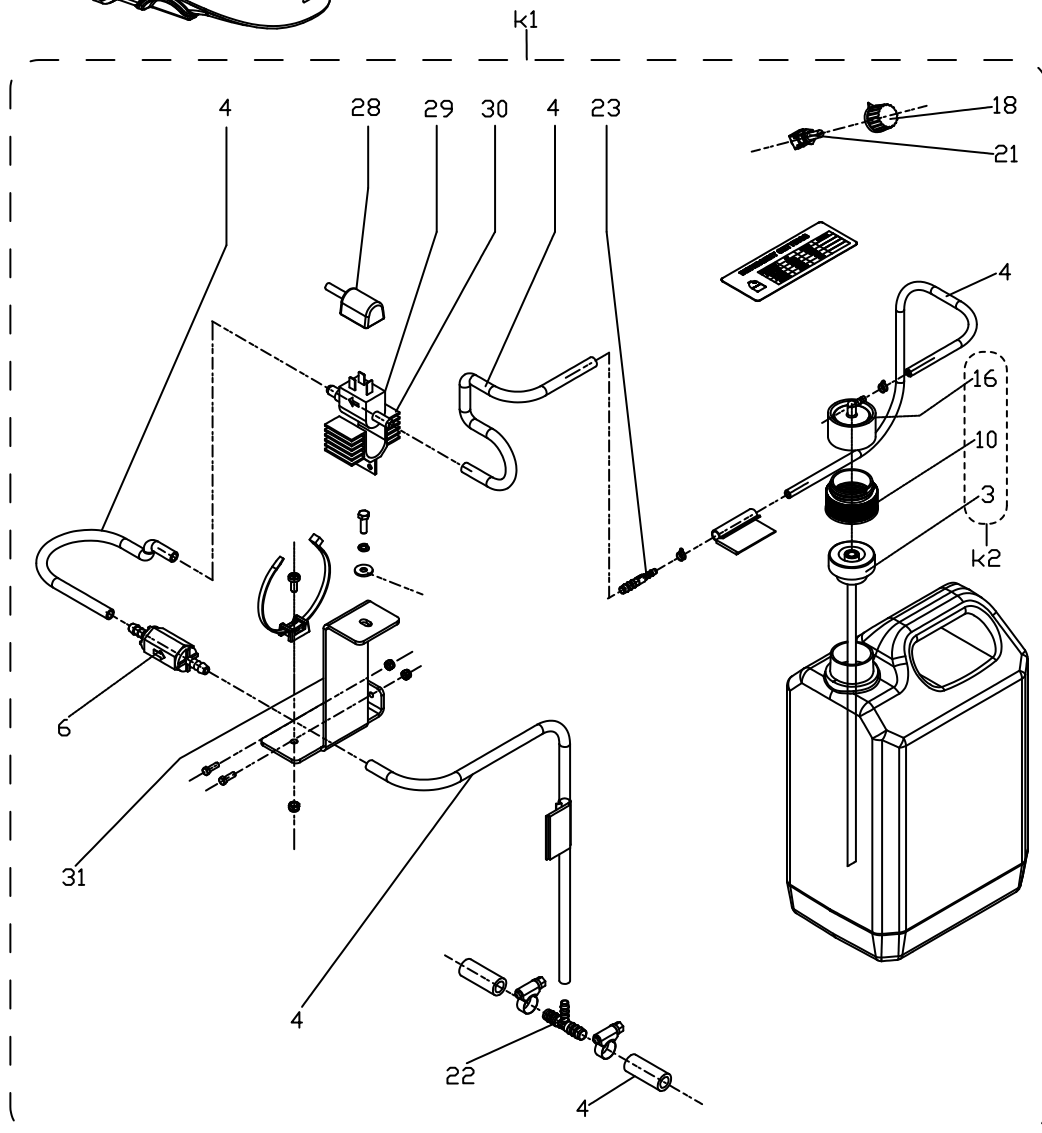
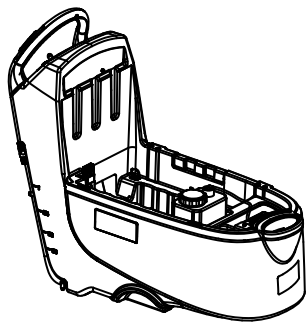
D: ONLY FOR 24INCH ORBITAL MACHINE (CA60 24B)

# : REVISED OR NEW SINCE LAST UPDATE



# PARTS LIST

## CHEMICAL MIXING SYSTEM

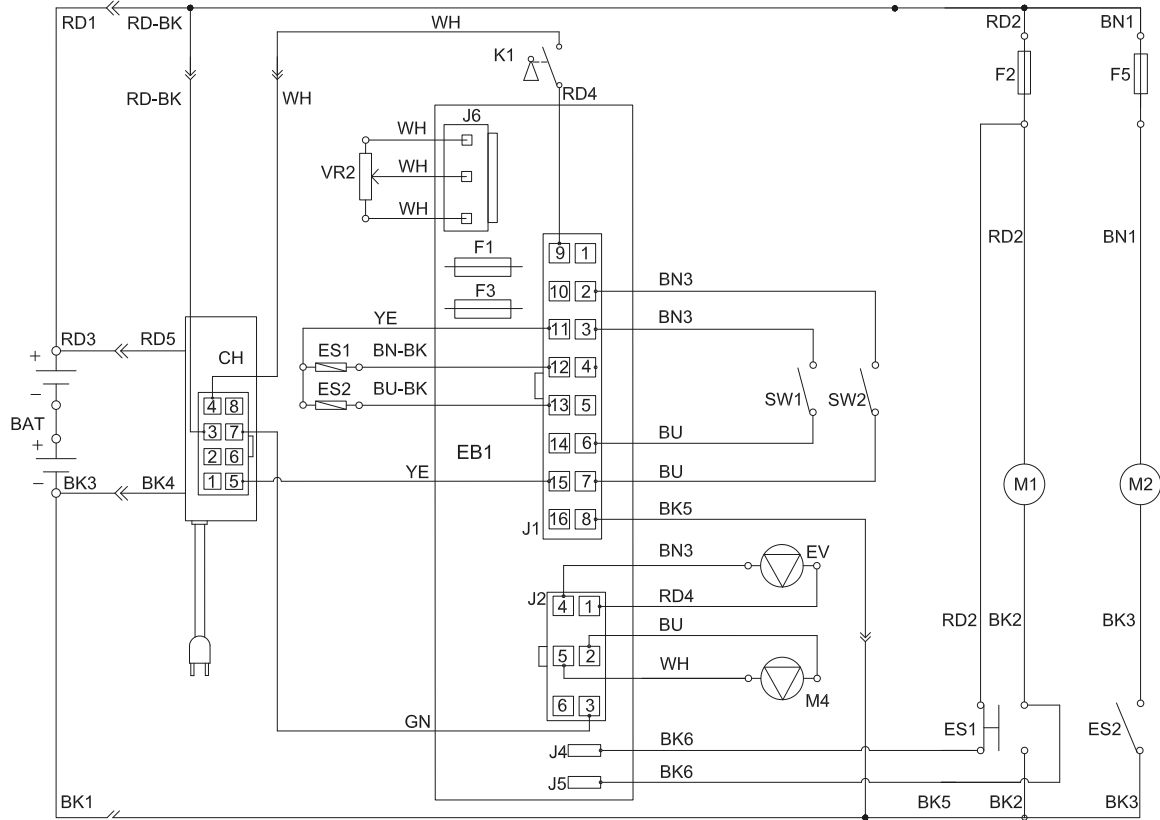


**PARTS LIST****CHEMICAL MIXING SYSTEM**

<b>Kit</b>	<b>Item</b>	<b>Part No.</b>	<b>Description</b>	<b>Qty</b>
		9097159000	INSTALLATION INSTRUCTIONS CHEMICAL MIXING SYSTEM	1
	3		SYPHON HOSE VALVE (SEE ADAPTER CAP ASSY)	1
	4	9097175000	CHEMICAL MIXNG SYSTEM HOSE KIT	1
	6	9097030000	VALVE ONE-WAY 1/4	1
	10		ADAPTER (SEE ADAPTER CAP ASSY)	1
	16		CAP DRY BREAK (SEE ADAPTER CAP ASSY)	1
	18	145 4719 000	KNOB F/POTENTIOMETER	1
	21	909 6076 000	POTENTIOMETER 50K	1
	22	909 6092 000	HOLDER RUBBER T	1
	23	909 6090 000	HOLDER RUBBER STRAIGHT	1
	28	9097041000	CABLE CHEMICAL PUMP	1
	29	53721A	PUMP CHEMICAL MIX	1
	30	61772A	BRACKET PUMP	1
	31	9097084000	BRACKET PUMP SUPPORT	1
	k1*	9097160000	CHEMICAL MIXNG SYSTEM KIT	1
K1	K2	54778A	ADAPTER CAP ASSY (3-10-16)	1

## PARTS LIST

### WIRING DIAGRAM (ONLY FOR DISC MACHINE WITHOUT TRACTION)



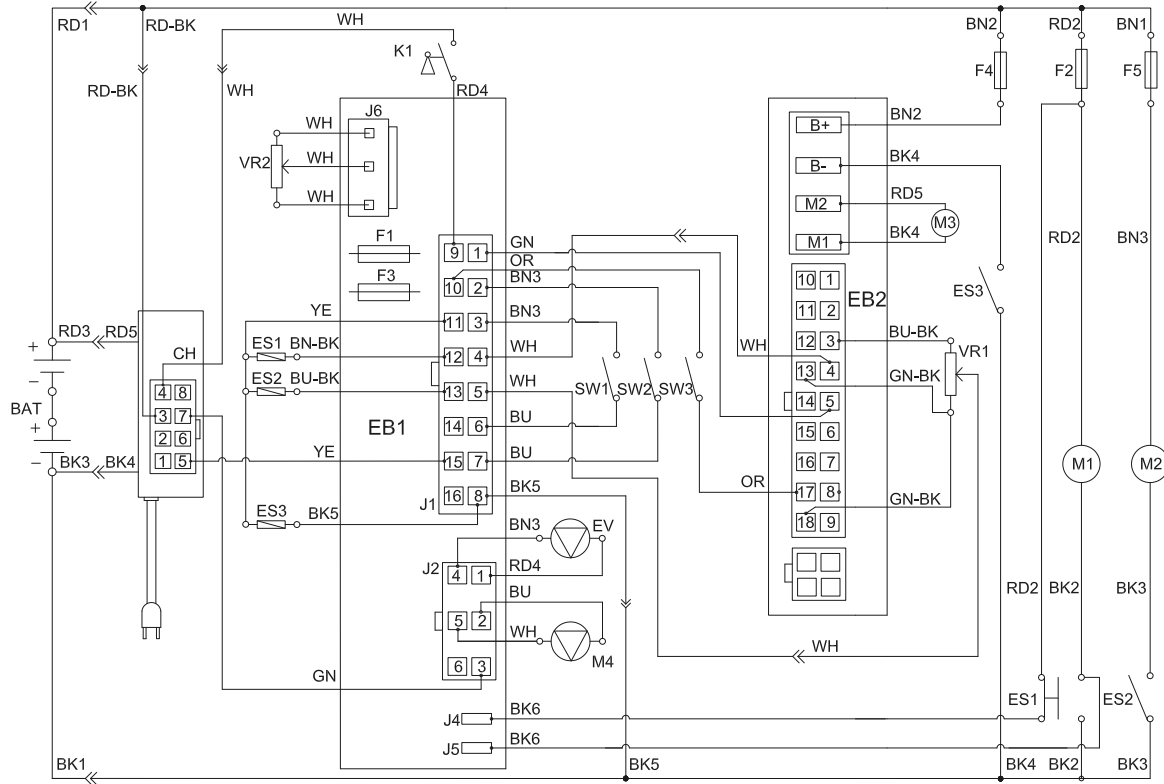
COMPONENTS		
Key	CODE	Description
BAT	N/A	24V BATTERIES
CH	VS13260	BATTERY CHARGER
EB1	VS13251	CONTROL PANEL BOARD
ES1	9095127000	ELECTROMAGNETIC SWITCH 24V (BRUSH MOTOR)
ES2	VS10201	RELAY 24V (VACUUM MOTOR)
F1	VS13208	LOW POWER CIRCUIT FUSE
F2	ZD48320	CIRCUIT BREAKER (BRUSH MOTOR)
F3	VS13209	BRUSH RELEASE FUSE
F5	ZD48320	CIRCUIT BREAKER (VACUUM MOTOR)
K1	9100001354	KEY SWITCH
M1	VS10702	BRUSH MOTOR
M2	VF90520	VACUUM MOTOR
EV	VF90282	SOLENOID VALVE
M4	N/A	DETERGENT PUMP (**)
SW1	VS10202	SAFETY SWITCH (BRUSH)
SW2	VS10202	SAFETY SWITCH (BRUSH)
VR2	N/A	DETERGENT PUMP POTENTIOMETER (**)

GAUGE	
RD1	RED/6AWG
RD2	RED/10AWG
RD3	RED/12AWG
RD4	RED/20AWG
RD5	RED/14AWG
BK1	BLACK/6AWG
BK2	BLACK/10AWG
BK3	BLACK/12AWG
BK4	BLACK/14AWG
BK5	BLACK/20AWG
BK6	BLACK/16AWG
RD-BK	RED-BLACK/20AWG
BN1	BROWN/12AWG
BN3	BROWN/20AWG
BN-BK	BROWN-BLACK/20AWG
BU	BLUE/20AWG
BU-BK	BLUE-BLACK/20AWG
YE	YELLOW/20AWG
WH	WHITE/20AWG

(\*\*) = For machines with Chemical Mixing System (Optional)

## PARTS LIST

### WIRING DIAGRAM (ONLY FOR DISC MACHINE WITH TRACTION)

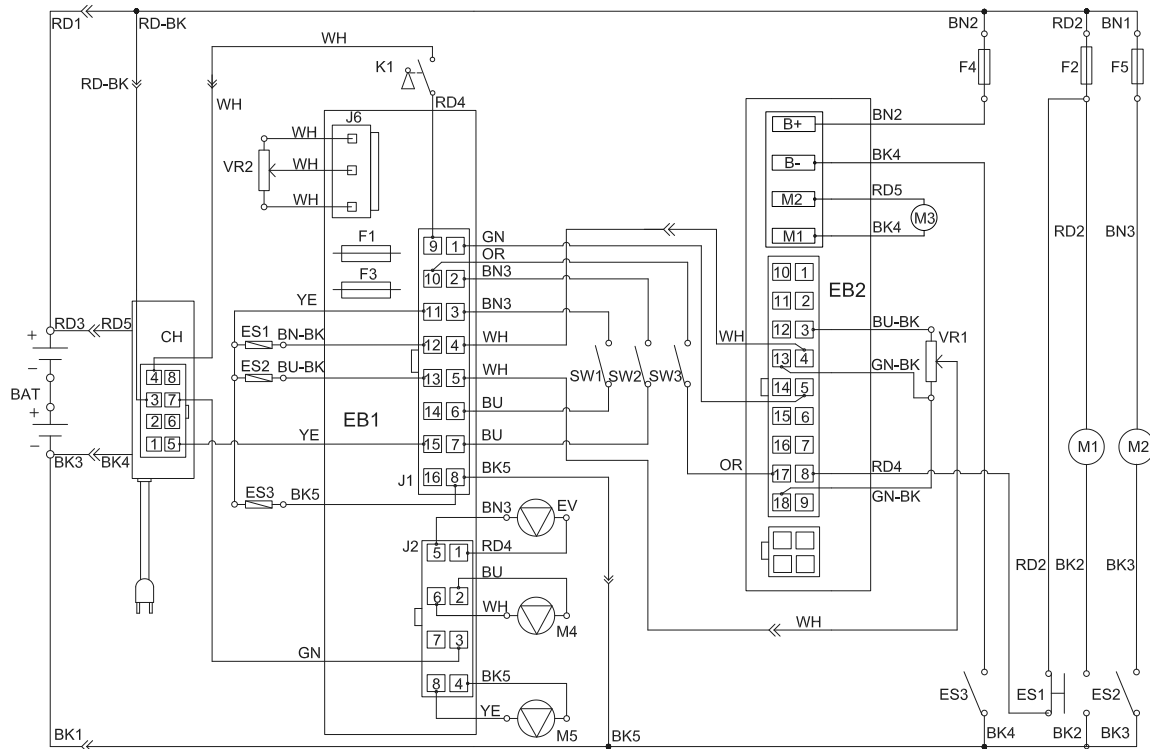


COMPONENTS		
Key	CODE	Description
BAT	N/A	24V BATTERIES
CH	VS13260	BATTERY CHARGER
EB1	VS13251	CONTROL PANEL BOARD
EB2	VS10209	ELECTRONIC BOARD (TRACTION SYSTEM)
ES1	9095127000	ELECTROMAGNETIC SWITCH 24V (BRUSH MOTOR)
ES2	VS10201	RELAY 24V (VACUUM MOTOR)
ES3	VS10201	RELAY 24V (TRACTION SYSTEM)
F1	VS13208	LOW POWER CIRCUIT FUSE
F2	ZD48320	CIRCUIT BREAKER (BRUSH MOTOR)
F3	VS13209	BRUSH RELEASE FUSE
F4	VF99012	CIRCUIT BREAKER (TRACTION SYSTEM)
F5	ZD48320	CIRCUIT BREAKER (VACUUM MOTOR)
K1	9100001354	KEY SWITCH
M1	VS10702	BRUSH MOTOR
M2	VF90520	VACUUM MOTOR
M3	VS11702	DRIVE MOTOR
EV	VF90282	SOLENOID VALVE
M4	N/A	DETERGENT PUMP (**)
SW1	VS10202	SAFETY SWITCH (BRUSH/TRACTION)
SW2	VS10202	SAFETY SWITCH (BRUSH/TRACTION)
SW3	VS10202	REVERSING SWITCH
VR1	VS10213	SPEED POTENTIOMETER
VR2	N/A	DETERGENT PUMP POTENTIOMETER (**)

GAUGE	
RD1	RED/6AWG
RD2	RED/10AWG
RD3	RED/12AWG
RD4	RED/20AWG
RD5	RED/14AWG
BK1	BLACK/6AWG
BK2	BLACK/10AWG
BK3	BLACK/12AWG
BK4	BLACK/14AWG
BK5	BLACK/20AWG
BK6	BLACK/16AWG
RD-BK	RED-BLACK/20AWG
GN	GREEN/20AWG
GN-BK	GREEN-BLACK/20AWG
BN1	BROWN/12AWG
BN2	BROWN/14AWG
BN3	BROWN/20AWG
BN-BK	BROWN-BLACK/20AWG
BU	BLUE/20AWG
BU-BK	BLUE-BLACK/20AWG
OR	ORANGE/20AWG
YE	YELLOW/20AWG
WH	WHITE/20AWG

(\*\*) = For machines with Chemical Mixing System (Optional)

WIRING DIAGRAM (ONLY FOR ORBITAL MACHINE)



COMPONENTS		
Key	CODE	Description
BAT	N/A	24V BATTERIES
CH	VS13260	BATTERY CHARGER
EB1	VS13250	CONTROL PANEL BOARD
EB2	VS13215	ELECTRONIC BOARD (TRACTION SYSTEM)
ES1	9095127000	ELECTROMAGNETIC SWITCH 24V (BRUSH MOTOR)
ES2	VS10201	RELAY 24V (VACUUM MOTOR)
ES3	VS10201	RELAY 24V (TRACTION SYSTEM)
F1	VS13208	LOW POWER CIRCUIT FUSE
F2	ZD48320	CIRCUIT BREAKER (BRUSH MOTOR)
F3#	VS13208	BRUSH LIFT MOTO FUSE
F4	VF99010C	CIRCUIT BREAKER (TRACTION SYSTEM)
F5	ZD48320	CIRCUIT BREAKER (VACUUM MOTOR)
K1	9100001354	KEY SWITCH
M1	VS10706	BRUSH MOTOR
M2	VF90520	VACUUM MOTOR
M3	VS11704	DRIVE MOTOR
EV	VF90282	SOLENOID VALVE
M4	N/A	DETERGENT PUMP (**)
M5	VS10704	BRUSH LIFT MOTOR
SW1	VS10202	SAFETY SWITCH (BRUSH/TRACTION)
SW2	VS10202	SAFETY SWITCH (BRUSH/TRACTION)
SW3	VS10202	REVERSING SWITCH
VR1	VS10213	SPEED POTENTIOMETER
VR2	N/A	DETERGENT PUMP POTENTIOMETER (**)

GAUGE	
RD1	RED/6AWG
RD2	RED/10AWG
RD3	RED/12AWG
RD4	RED/20AWG
RD5	RED/14AWG
BK1	BLACK/6AWG
BK2	BLACK/10AWG
BK3	BLACK/12AWG
BK4	BLACK/14AWG
BK5	BLACK/20AWG
BK6	BLACK/16AWG
RD-BK	RED-BLACK/20AWG
GN	GREEN/20AWG
GN-BK	GREEN-BLACK/20AWG
BN1	BROWN/12AWG
BN2	BROWN/14AWG
BN3	BROWN/20AWG
BN-BK	BROWN-BLACK/20AWG
BU	BLUE/20AWG
BU-BK	BLUE-BLACK/20AWG
OR	ORANGE/20AWG
YE	YELLOW/20AWG
WH	WHITE/20AWG

(\*\*) = For machines with Chemical Mixing System (Optional)

# : REVISED OR NEW SINCE LAST UPDATE

Nilfisk Inc.  
9435 Winnetka Avenue North  
Minneapolis, MN 55445  
<https://www.clarkeus.com/>  
©2013 Nilfisk Inc.

**Clarke<sup>®</sup>**