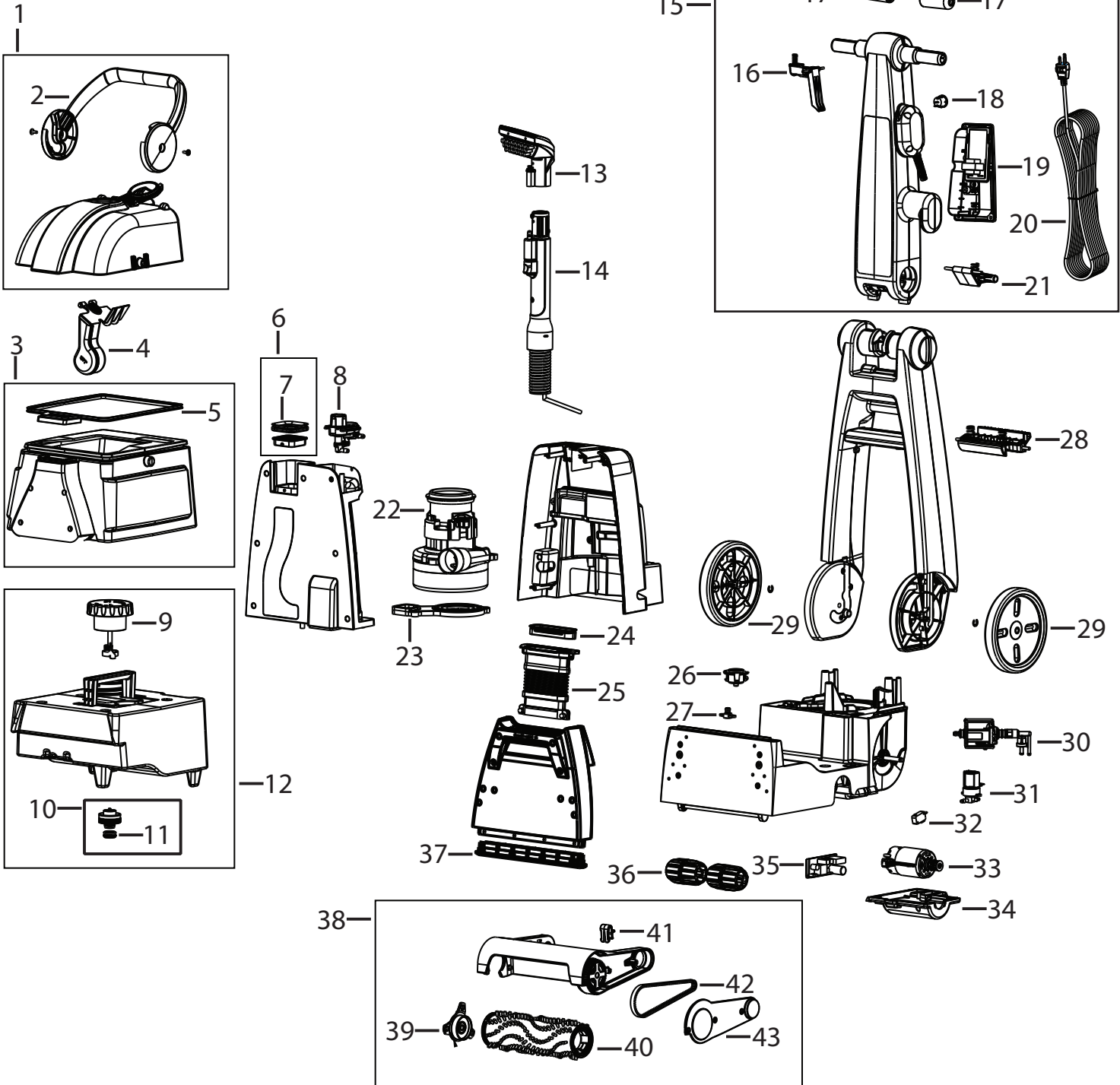




# Big Green Clean Machine Rental

## BG10 Series



Bissell Homecare, Inc. (U.S.)  
 Phone: 1-800-457-1509  
 Fax: 1-800-517-9535  
 partner.bissell.com

Bissell Canada  
 Phone: 1-800-374-3196  
 Email: Canada.custhelp@bissell.com

Issued: May 2010

Revised:

© 2010 BISSELL Homecare, Inc.

# Big Green Clean Machine Rental

BG10 Series



KEY	PART NO	DESCRIPTION	KEY	PART NO	DESCRIPTION
1	2037449	Water Seperator Assembly - Green	28	2037441	Lower Handle Detent Assembly - Green
1	2037521	Water Seperator Assembly - Purple	28	2037520	Lower Handle Detent Assembly - Purple
2	2037450	Water Seperator Handle Assembly	29	2037447	Wheel Assembly w/E-Clip
3	2037452	Dirt Tank Assembly - Green	30	2037433	Pump Assembly
3	2037517	Dirt Tank Assembly - Purple	31	2037436	Solenoid Valve
4	2037451	Float	32	2036759	Microswitch - Brush
5	2037453	Dirty Tank Gasket	33	2037431	Foot Motor Assembly
6	2037463	Upper Housing Filter Assembly	34	2037466	Brush Motor Cover Assembly
7	2037468	Vac Motor Duct Gasket	35	2037434	Circuit Board Assembly - Foot Motor
8	2037439	Flow Indicator Assembly	36	2037469	Base Roller
9	2037455	Clean Tank Cap Assembly	37	2037530	Nozzle Assembly
10	2036675	Cap & Insert Assembly - Water Tank	38	2037462	Brush Carriage Assembly
11	2036679	Autoload Gasket	39	2037459	Brush Endcap
12	2037454	Clean Tank Assembly	40	2037458	Brush
12	2037518	Clean Tank Assembly - Purple	41	2037470	Brush Carriage Clip
13	2036654	6" Upholstery Tool - Clear Lens	42	2037460	Belt
13	2037444	6" Upholstery Tool - Opaque Lens	43	2037461	Brush Carriage Plate Assembly
14	2037443	Hose Assembly w/Screwed on 6" Tool	xx	2037438	Internal Tubing - 3 feet
14	2037523	Hose Assembly (No Tool Attachment)	xx	2037442	Hose Bag
14	2037524	Hose Assembly w/Deep Reach Tool	xx	2037467	Special Screw Pack
15	2037446	Handle Assembly w/Hour Meter - Green	xx	2037516	Black Deep Reach Tool (picture)
15	2037522	Handle Assembly w/Hour Meter - Purple			
16	2037464	Spray Trigger			
17	2037448	Handle Grip Assembly (1)			
18	2037435	On/Off Switch			
19	2037437	Hour Meter Assembly			
20	2037445	Cord Assembly			
21	2037440	Upper Handle Detent Assembly - Green			
21	2037519	Upper Handle Detent Assembly - Purple			
22	2037432	Vacuum Motor Assembly			
23	2037465	Motor Mount Assembly			
24	2037456	Nozzle Gasket			
25	2037457	<b>Nozzle Assembly</b>			
26	2037429	Receiver Screen			
27	2037430	Spray Tip w/Screw			

BISSELL Homecare, Inc. (U.S.) Phone: 1-800-457-1509 Fax: 1-800-517-9535 <a href="http://partner.bissell.com">partner.bissell.com</a>	Bissell Canada Phone: 1-800-396-3196	Issued: May 2010 Revised: © 2010 BISSELL Homecare Inc.
---	---	--