

Powr-Flite®

PARTS LIST

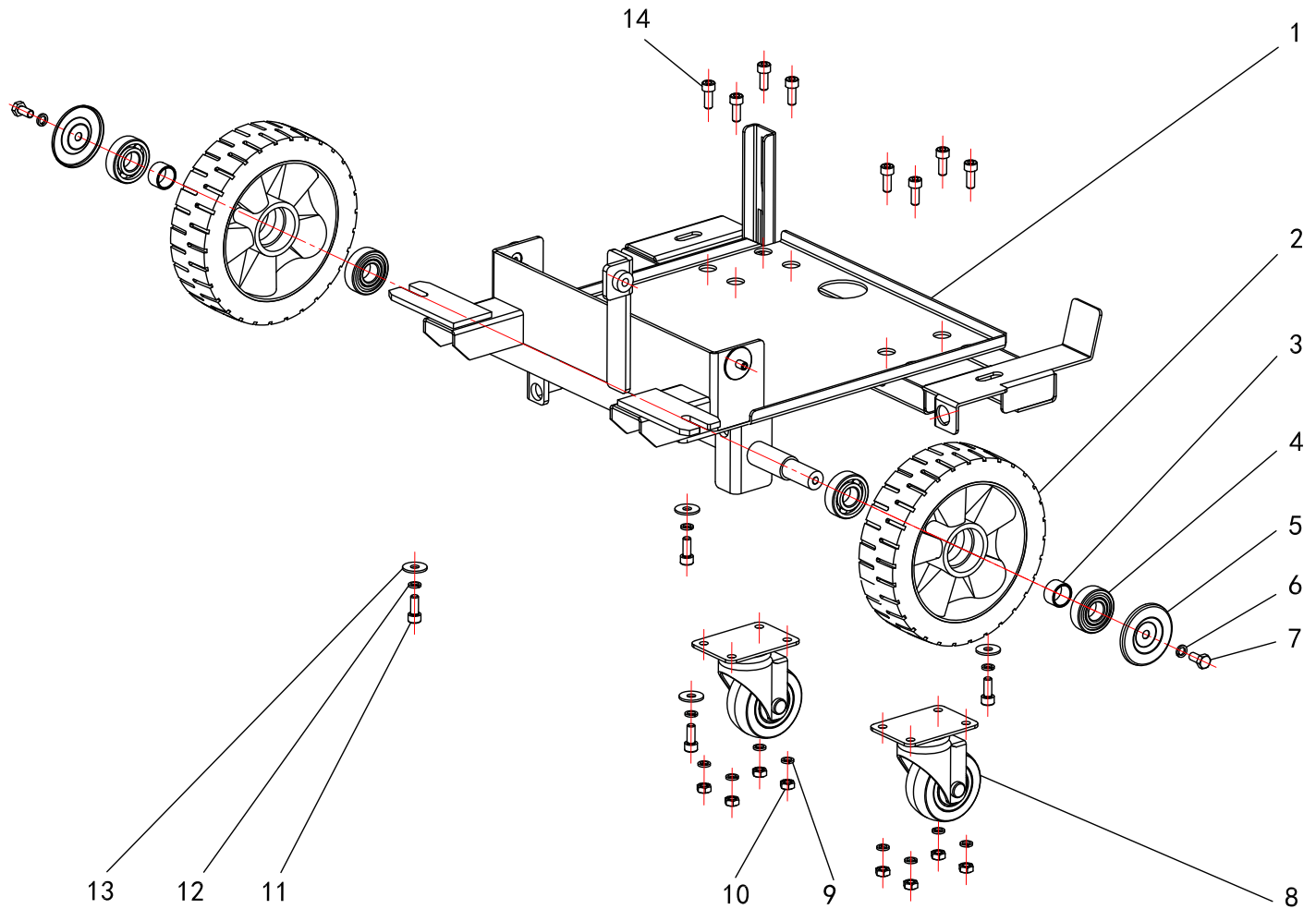
Automatic Scrubber PAS20BA-BC



WARNING: OPERATOR MUST READ AND UNDERSTAND THIS MANUAL COMPLETELY BEFORE OPERATING THIS EQUIPMENT.

SCHEMATICS - PARTS LISTS

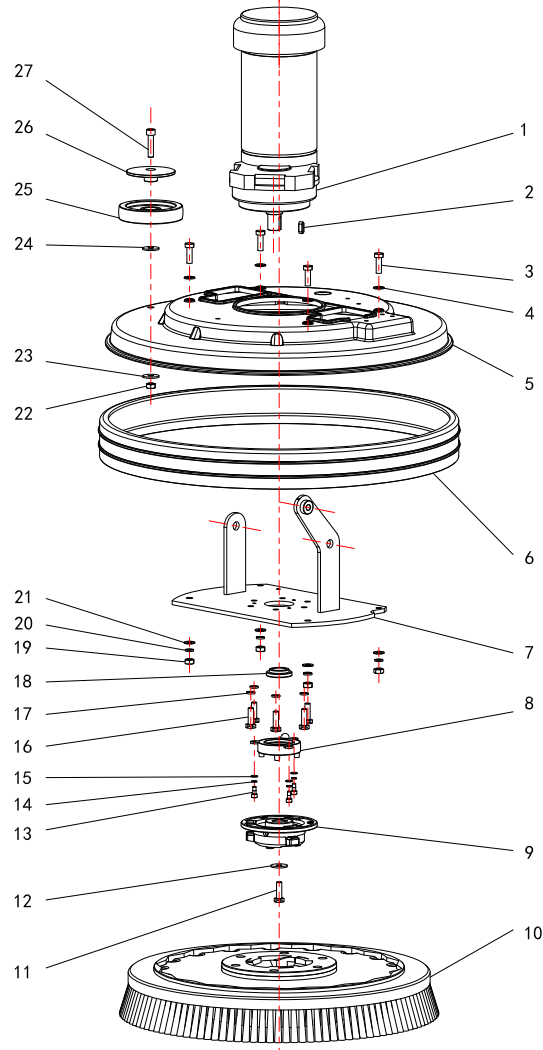
PAS20BA-BC CHASSIS ASSEMBLY



No.	Part No.	Qty	Description
1	33668	1	Chassis
2	33676	2	Wheel
3	33677	2	Spacer
4	33675	4	Bearing
5	33678	2	Wheel Cover
6	33674	2	Lock Washer M8
7	33679	2	Bolt M8 x 16
8	33672	2	Castor 3"
9	33674	8	Lock Washer M8
10	33671	8	Nut M8
11	33673	4	Screw M8 x 40
12	33674	4	Lock Washer M8
13	33690	4	Washer M8
14	33673	8	Screw M8 x 40

SCHEMATICS - PARTS LISTS

PAS20BA-BC BRUSH MOTOR ASSEMBLY

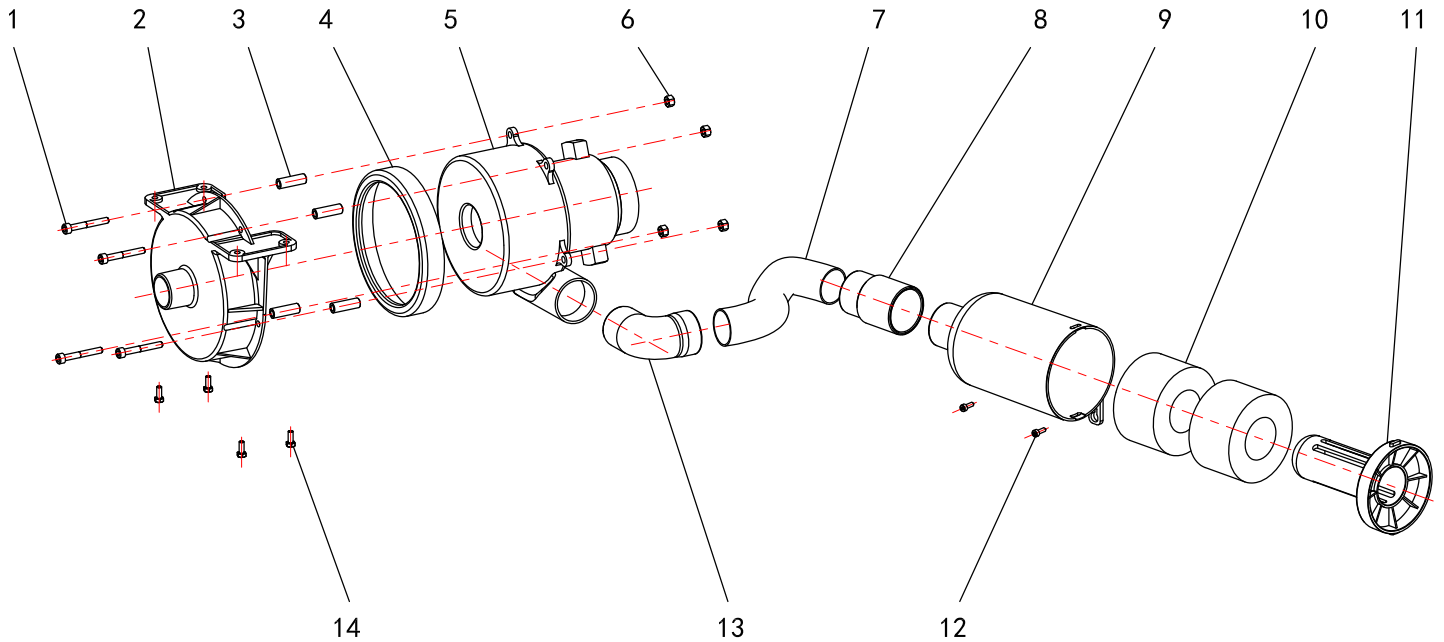


No.	Part No.	Qty	Description
1	33682	1	Brush Motor
2	33683	1	Square Key
3	33679	4	Bolt M8 x 16
4	33690	4	Washer M8
5	39758	1	Brush Cover
6	33733	1	Brush Skirt
7	39759	1	Bracket
8	33689	1	Water Drain Out
9	33692	1	Driver
10	PAS20PD	1	Pad Driver
11	33679	1	Bolt M8 x 16
12	33736	1	Washer M8
13	35050	3	Screw M5 x 10
14	35056	3	Lock Washer M5

No.	Part No.	Qty	Description
15	35045	3	Washer M5
16	33679	5	Bolt M8 x 16
17	35045	5	Washer M5
18	33696	1	Spacer
19	33671	4	Nut M8
20	33674	4	Lock Washer M8
21	33690	4	Washer M8
22	33671	4	Nut M8
23	33736	1	Washer M8
24	33736	1	Washer M8
25	33700	1	Side Pulley
26	39760	1	Side Pulley Cover
27	33673	1	Screw M8 x 40

SCHEMATICS - PARTS LISTS

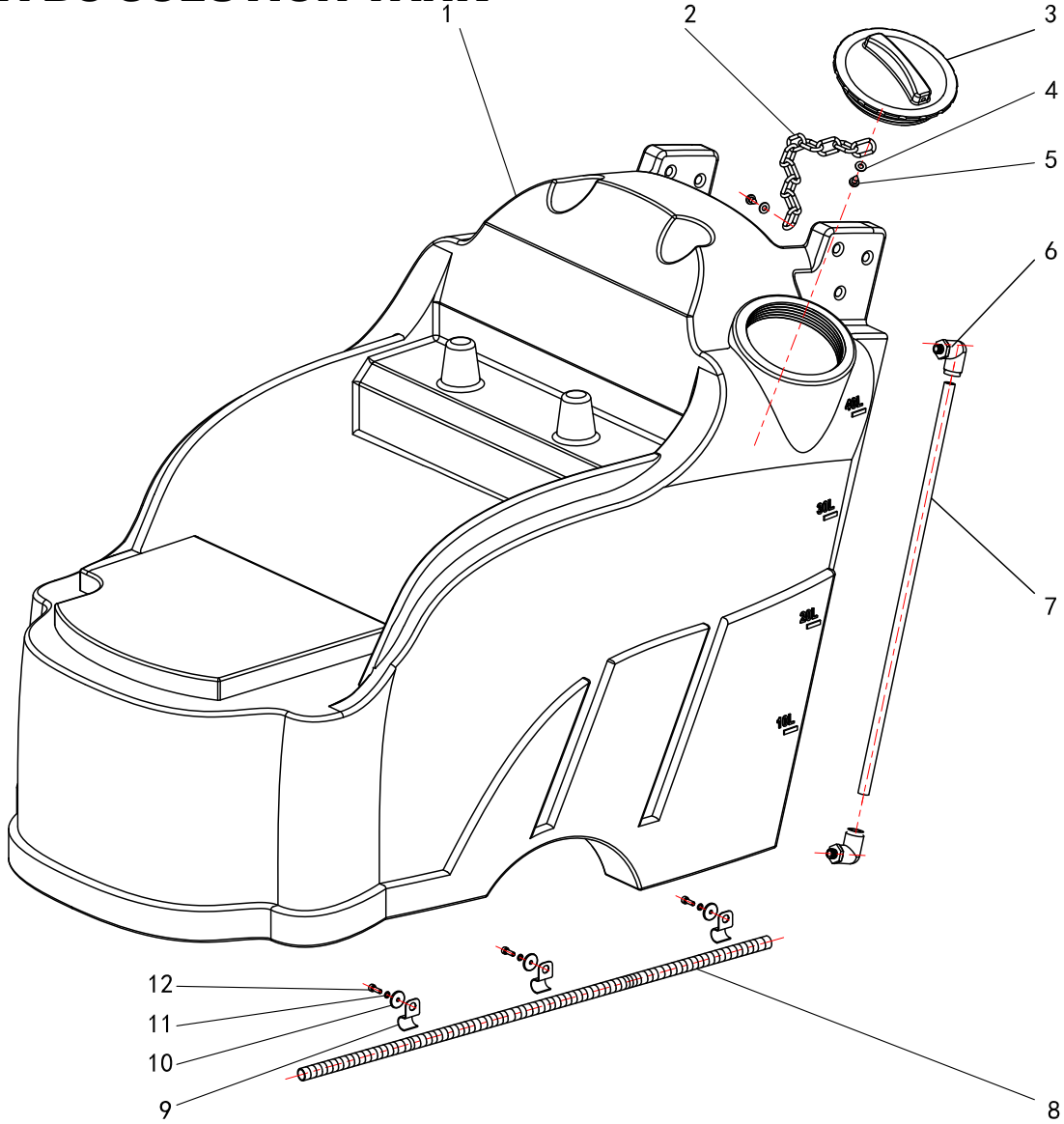
PAS20BA-BC VACUUM MOTOR



No.	Part No.	Qty	Description
1	35036	4	Screw M6 x 45
2	33704	1	Motor Bracket
3	33705	4	Connector
4	33706	1	Motor Gasket
5	33707	1	Motor
6	33708	4	Nut M6
7	33709	1	Hose M39 x 300
8	33710	1	Sleeve
9	33711	1	Muffler
10	33712	2	Sponge
11	33713	1	Core
12	35050	2	Screw M5 x 10
13	39761	1	Connector
14	33717	4	Bolt M5 x12

SCHEMATICS - PARTS LISTS

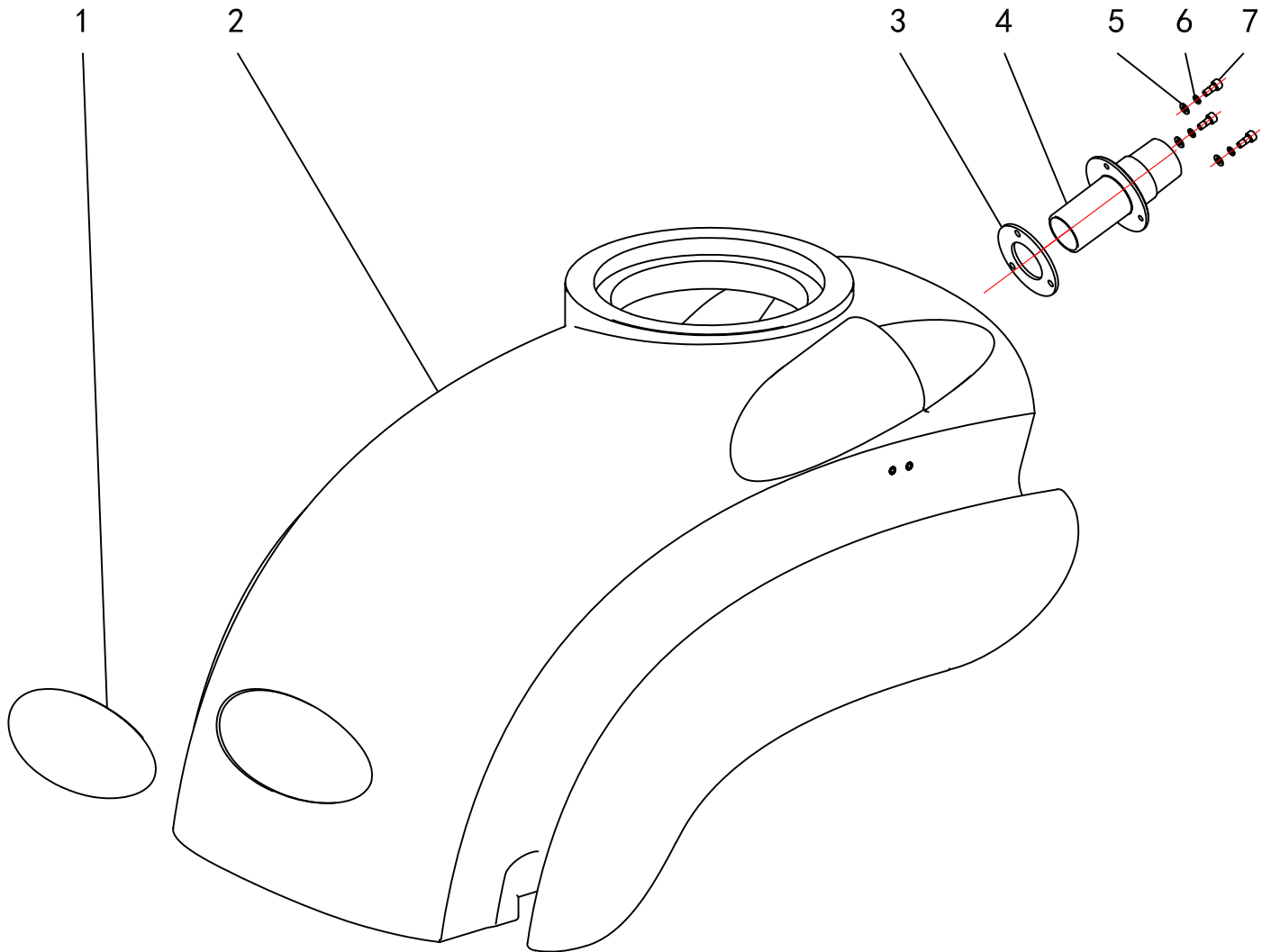
PAS20BA-BC SOLUTION TANK



No.	Part No.	Qty	Description
1	33647	1	Solution Tank
2	35038	1	Chain
3	33654	1	Cap
4	35045	2	Washer M5
5	33728	2	Screw M4.2 x 6.5
6	35008	2	Connector
7	35009	1	Tube M12 x 550
8	35059	1	Hose
9	35060	3	Hose Clip
10	35054	3	Washer M5
11	35056	3	Lock Washer M5
12	35050	3	Screw M5 x 10

SCHEMATICS - PARTS LISTS

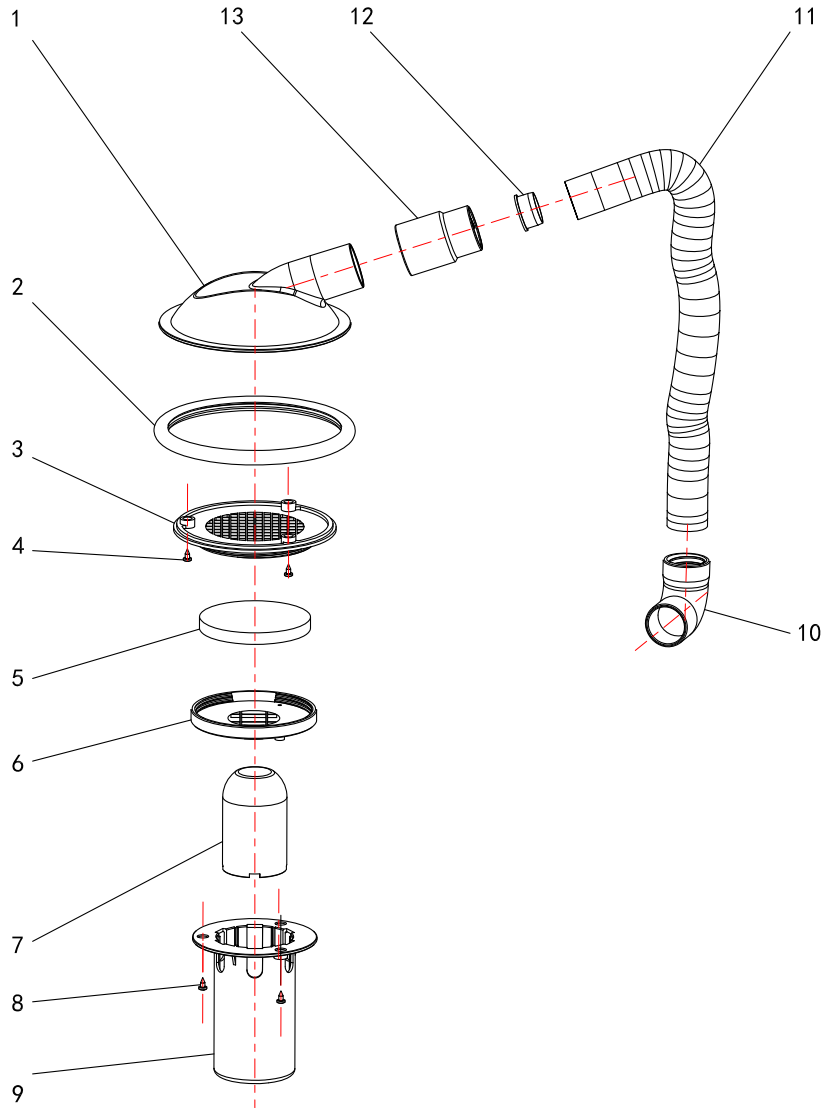
PAS20BA-BC RECOVERY TANK



No.	Part No.	Qty	Description
1	35061	1	Decal
2	33648	1	Recovery Tank
3	35062	1	Gasket
4	35063	1	Connector
5	35045	2	Washer M5
6	35056	3	Lock Washer M5
7	35051	3	Screw M5 x 12

SCHEMATICS - PARTS LISTS

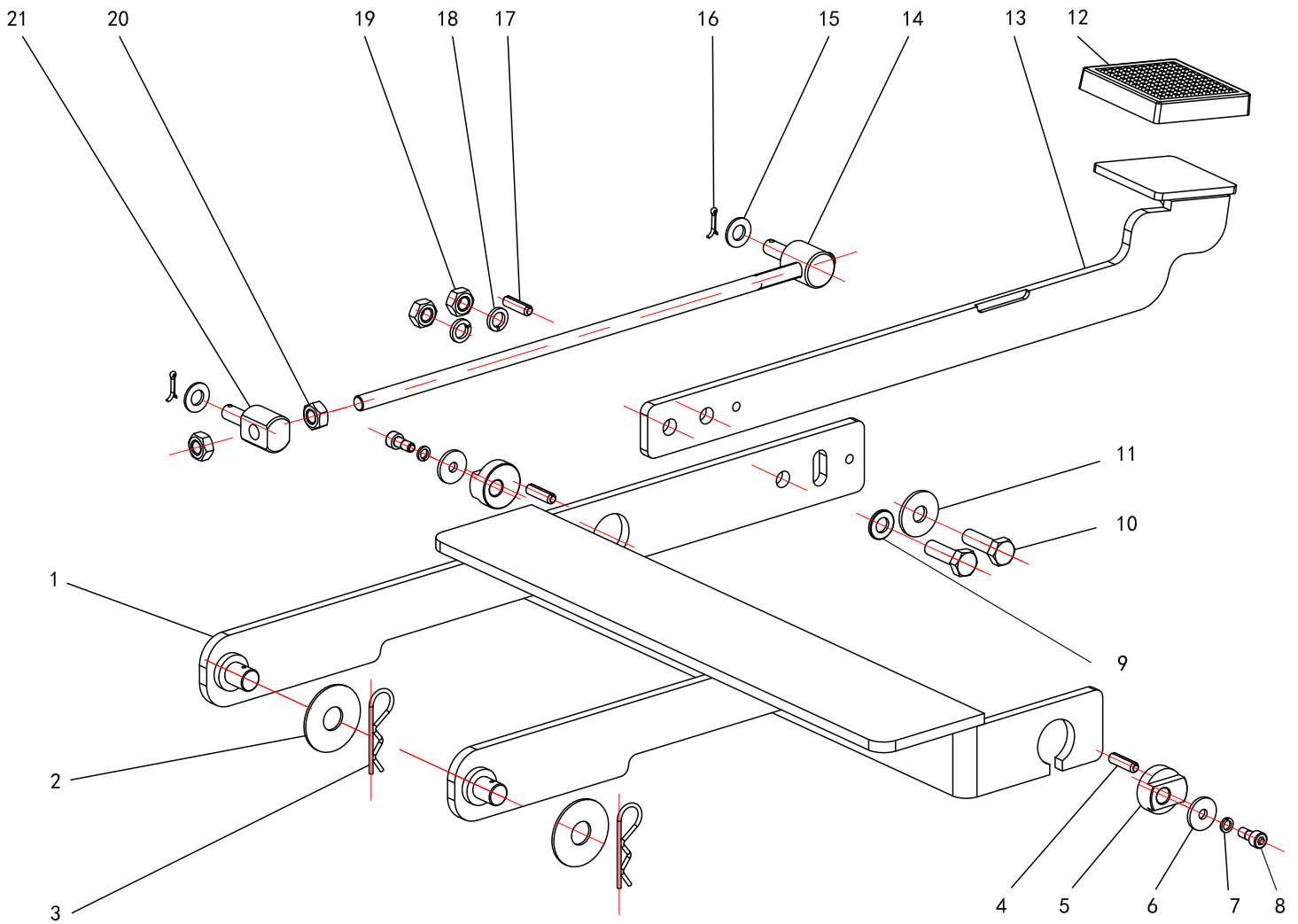
PAS20BA-BC VACUUM FLOAT ASSEMBLY



No.	Part No.	Qty	Description
1	33719	1	Top Lid
2	33720	1	Seal
3	33721	1	Fitting Mesh
4	33728	3	Screw M4.2 x 6.5
5	33723	1	Sponge
6	33725	1	Plate
7	33726	1	Float
8	33728	1	Screw M4.2 x 6.5
9	33727	1	Bucket
10	39761	1	Connector
11	33729	1	Hose M39 x 450
12	33730	1	Hose Liner
13	33731	1	Sleeve

SCHEMATICS - PARTS LISTS

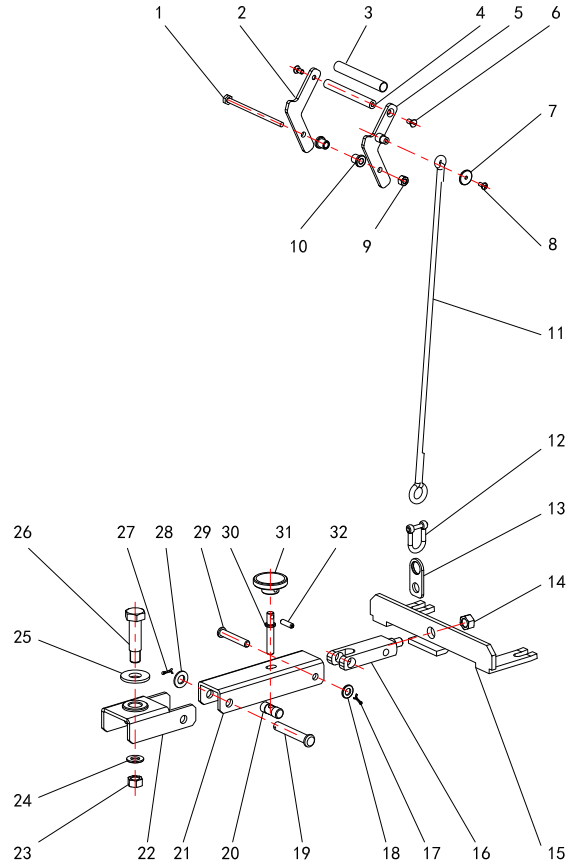
PAS20BA-BC BRUSH LIFT



No.	Part No.	Qty	Description	No.	Part No.	Qty	Description
1	39762	1	Lift Arm	12	33739	1	Pedal Cover
2	35053	2	Washer M12	13	33740	1	Pedal Arm
3	33734	2	Cotter Pin	14	39763	1	Support Arm
4	33741	2	Pin	15	33690	2	Washer M8
5	33735	2	Bushing	16	33745	2	Cotter Pin
6	35054	2	Washer M5	17	33741	1	Pin
7	35056	3	Lock Washer M5	18	33674	2	Lock Washer M8
8	35052	2	Screw M5 x 8	19	33671	2	Nut M8
9	33690	1	Washer M8	20	33671	2	Nut M8
10	35037	2	Bolt M8 x 20	21	33748	1	Pin
11	33736	2	Washer M8				

SCHEMATICS - PARTS LISTS

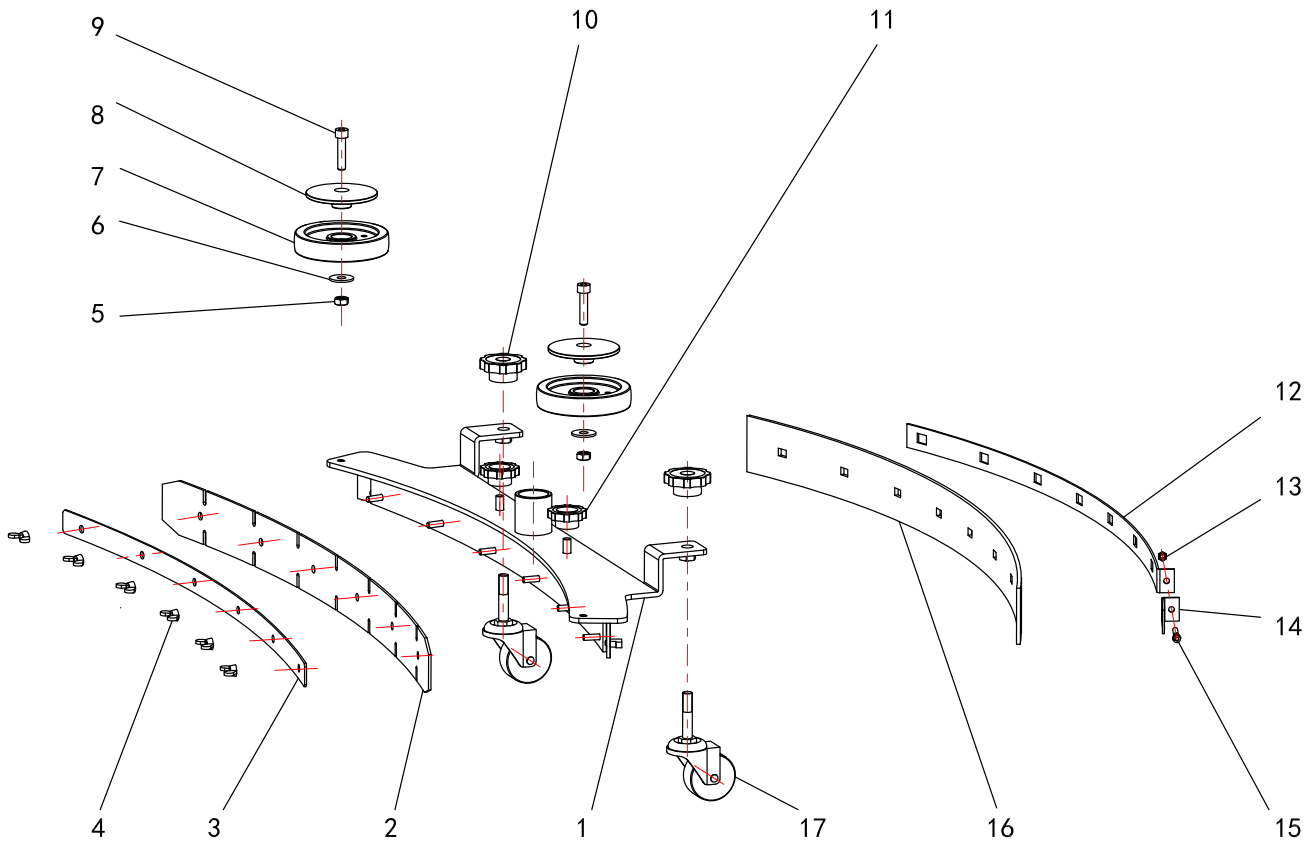
PAS20BA-BC SQUEEGEE LIFT



No.	Part No.	Qty	Description	No.	Part No.	Qty	Description
1	35038	1	Bolt M6 x 100	16	33673	1	Pivot Arm
2	33750	1	Plate Right	17	33745	1	Cotter Pin
3	33751	1	Pipe	18	33690	1	Washer M8
4	33752	1	Handle	19	33766	1	Pin
5	33753	1	Plate Left	20	33767	1	Nut
6	33754	1	Screw M5 x 12	21	33768	1	Supporting Arm
7	35045	1	Washer M5	22	33769	1	Mount
8	33756	1	Screw M4 x 8	23	35041	1	Nut M10
9	35040	1	Nut M6	24	35046	1	Washer M10
10	33758	2	Bushing	25	35053	1	Washer M12
11	33759	1	Steel Wire	26	33773	1	Shoulder Bolt
12	35064	1	Clevis	27	33745	1	Cotter Pin
13	33760	1	Hang Ring	28	35046	1	Washer M10
14	35041	1	Nut M10	29	33776	1	Pin
15	33762	1	Frame	30	33777	1	Adjusting Bolt
				31	33778	1	Knob
				32	33741	1	Pin

SCHEMATICS - PARTS LISTS

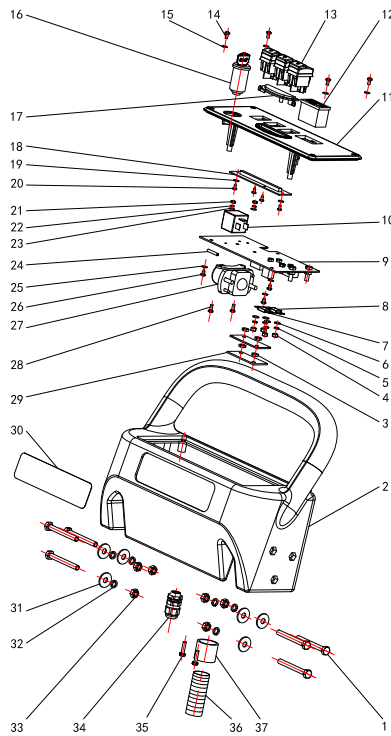
PAS20BA-BC SQUEEGEE ASSEMBLY



No.	Part No.	Qty	Description
1	33780	1	Squeegee Frame
2	33781	1	Front Squeegee Blade
3	33782	1	Front Squeegee Blade Strap
4	33783	6	Butterfly Nut
5	33671	2	Nut M8
6	33736	1	Washer M8
7	39764	2	Squeegee Guide Wheel
8	39765	2	Squeegee Guide Wheel Cover
9	33673	2	Screw M8 x 40
10	35065	2	Knob
11	33790	2	Knob
12	33794	1	Rear Squeegee Blade Strap Long
13	35042	1	Nut M5
14	33792	1	Rear Squeegee Blade Strap Short
15	35039	1	Bolt M5 x 35
16	33795	1	Rear Squeegee Blade
17	33796	2	Castor 2"

SCHEMATICS - PARTS LISTS

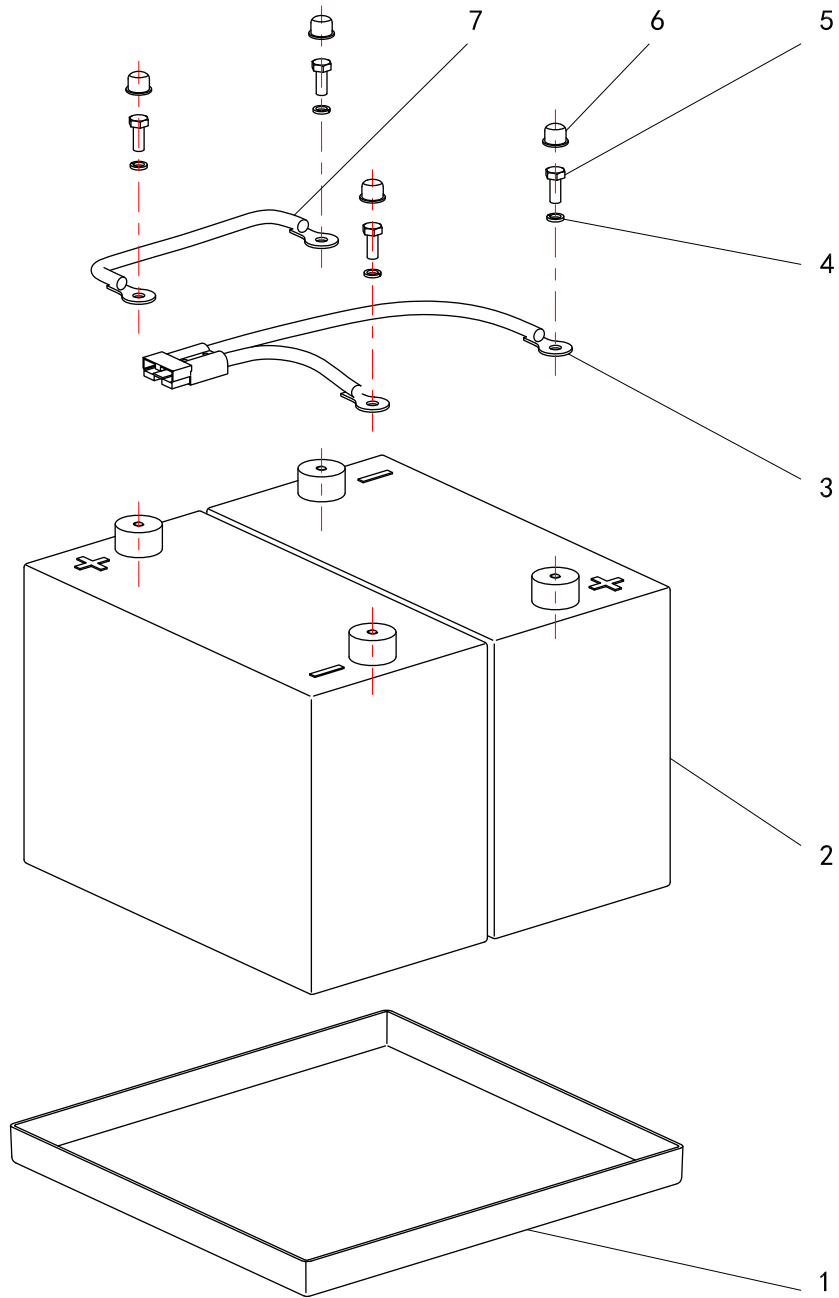
PAS20BA-BC CONTROL PANEL ASSEMBLY



No.	Part No.	Qty	Description	No.	Part No.	Qty	Description
1	33800	6	Screw M8 x 65	21	35057	2	Nut M4
2	33797	1	Control Box	22	35055	2	Lock Washer M4
3	35042	4	Nut M5	23	35047	2	Washer M4
4	35042	4	Nut M5	24	35069	1	Fuse 0.5A
5	35055	4	Lock Washer M4	25	35047	3	Washer M4
6	35047	4	Washer M4	26	35048	3	Screw M3.5 x 6.5
7	35066	1	Fuse 40A	27	35000	1	Power Relay
8	35067	1	Fuse 60A	28	35043	2	Screw M4 x 16
9	35068	1	Circuit Board	29	35070	1	Plate
10	35001	1	Relay	30	35071	1	Decal
11	35007	1	Panel	31	33736	6	Washer M8
12	35005	1	Hourmeter	32	33674	6	Lock Washer M8
13	35004	3	Switch	33	33671	6	Nut M8
14	35043	4	Screw M4 x 16	34	35072	1	Strain Relief
15	35047	2	Washer M4	35	35044	1	Screw M5 x 20
16	33799	1	Keyswitch Assembly	36	35073	0.4	Cable Tube
17	35006	1	Power Indicator Panel	37	35074	1	Sleeve w/Clamp
18	35011	1	Power Indicator Board				
19	39766	2	Washer				
20	35048	4	Screw M3.5 x 6.5				

SCHEMATICS - PARTS LISTS

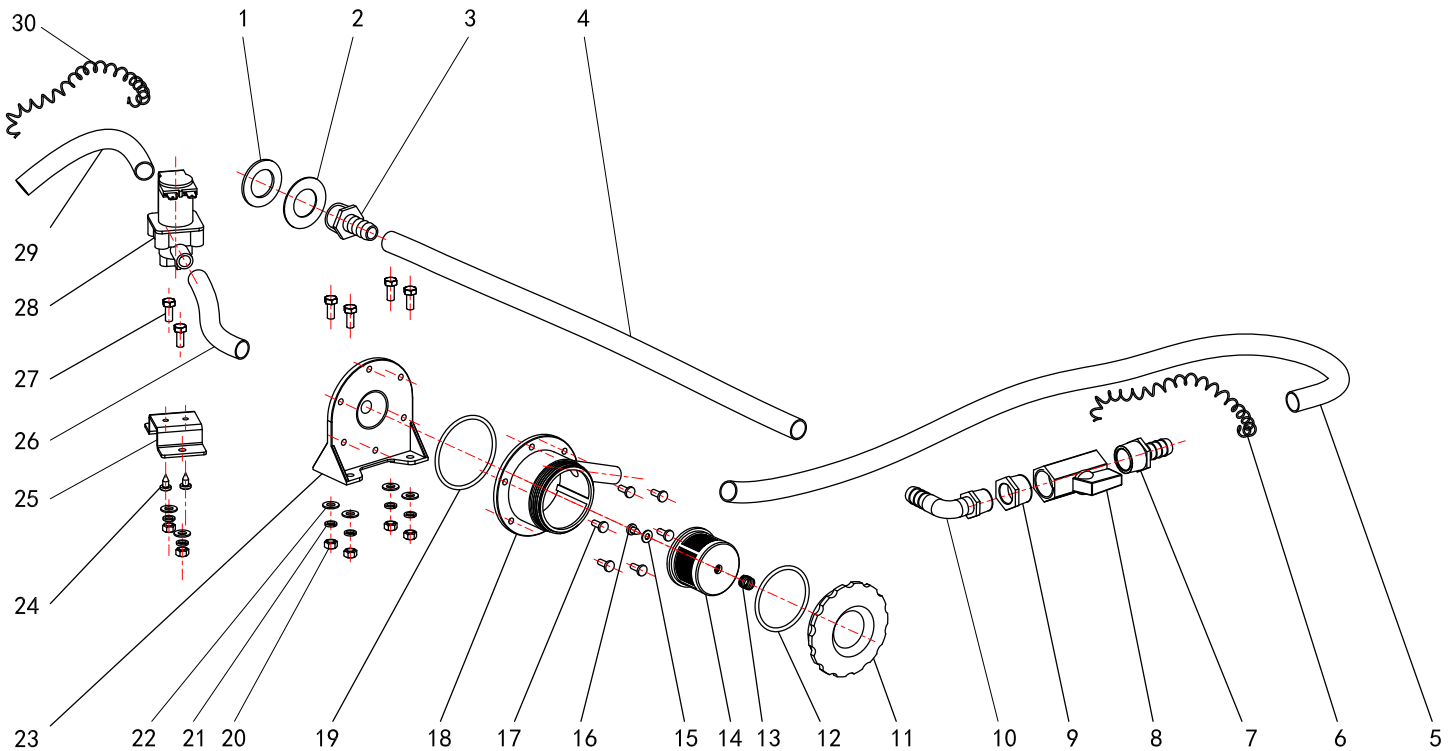
PAS20BA-BC BATTERIES



No.	Part No.	Qty	Description
1	33659	1	Battery Tray
2	B27TMX	2	Battery
3	35020	1	Cables w/Connector
4	35021	4	Washer
5	X8248	4	Nut
6	35023	1	Jumper Cable

SCHEMATICS - PARTS LISTS

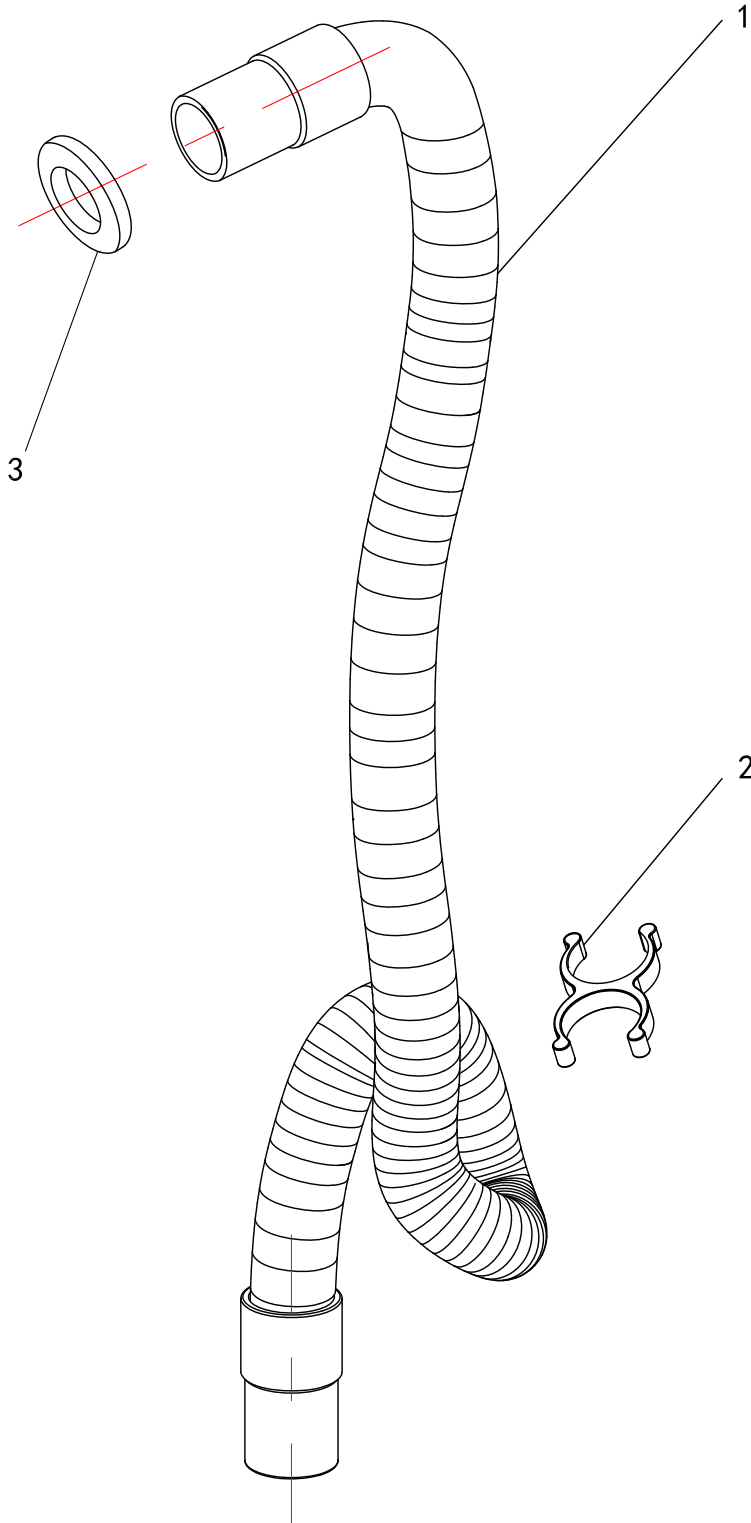
PAS20BA-BC VALVE and FILTER ASSEMBLY



No.	Part No.	Qty	Description	No.	Part No.	Qty	Description
1	39767	1	Gasket	16	35049	1	Screw M4.2 x 9.5
2	35075	1	Washer	17	35079	6	Rivet M4 x 16
3	35024	1	Connector	18	33816	1	Filter Support
4	35025	1	Hose	19	33817	1	O-Ring
5	35026	1	Hose	20	35042	6	Nut M5
6	35076	1	Spring	21	35056	6	Lock Washer M5
7	35027	1	Connector	22	35045	6	Washer M5
8	35028	1	Ball Valve	23	33819	1	Filter Bracket
9	35077	1	Bushing	24	33728	2	Screw M4.2 x 6.5
10	35029	1	Curved Connector	25	33823	1	Bracket
11	33809	1	Cover	26	33820	1	Hose
12	33810	1	O-Ring	27	33717	4	Bolt M5 x 12
13	35078	1	Spring	28	33825	1	Solenoid Valve
14	33812	1	Filter	29	33826	1	Hose
15	35047	1	Washer M4	30	35080	1	Spring

SCHEMATICS - PARTS LISTS

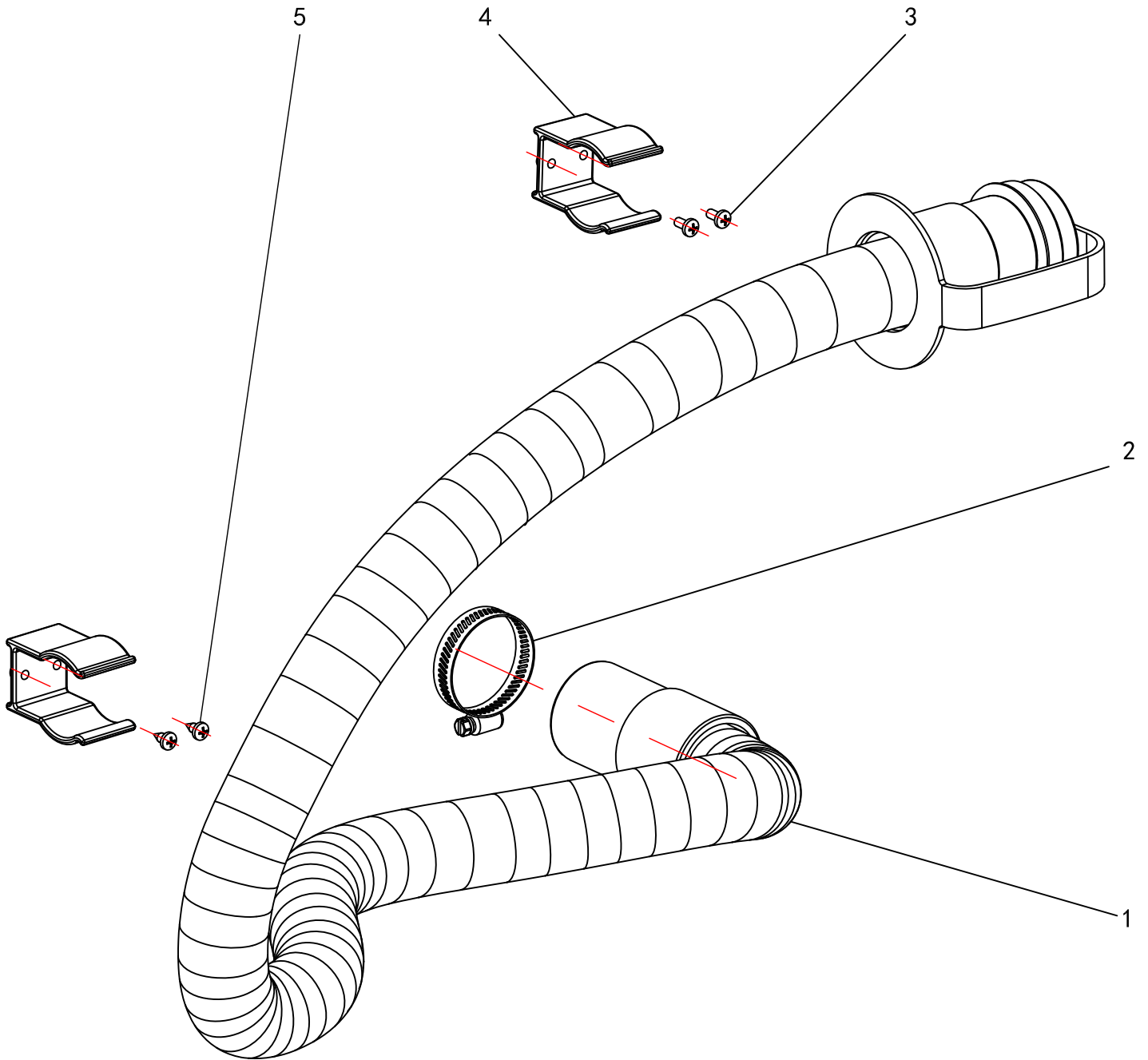
PAS20BA-BC VACUUM HOSE



No.	Part No.	Qty	Description
1	35030	1	Hose
2	39768	1	Double Hose Clip
3	39769	1	Gasket

SCHEMATICS - PARTS LISTS

PAS20BA-BC DRAIN HOSE



No.	Part No.	Qty	Description
1	35034	1	Drain Hose Assmby
2	35035	1	Hose Clamp
3	33756	2	Screw M4 x 8
4	33835	2	Hose Clip
5	35049	2	Screw M4.2 x 9.5

Powr-Flite Warranty Statement

All Powr-Flite equipment has been tested and inspected at the factory and is guaranteed to be free from defects in material and workmanship for the duration described below. For full details, contact your authorized Powr-Flite Distributor, Service Center, or the Powr-Flite Technical Service Department.

5 Years - Tanks
2 Years - Motors
1 Year - Parts/Labor

IMPORTANT WARRANTY CONDITIONS:

Warranty starts from the date of sale to the consumer or, at Powr-Flite's discretion, six months after the dealer has purchased the unit from Powr-Flite, whichever comes first. All non-wear parts purchased after machine warranty expiration are warranted for one year. Proof of purchase is required to process all claims. Powr-Flite sales and service representatives are not authorized to waive, alter, or increase the terms of this warranty.

Warranty DOES NOT cover the following:

- Routine wear and tear items such as brushes, filters, points, plugs, bulbs, switches, brooms, wheels/tires, casters, fuses, belts, hoses, and sheer pins/motor couplings.
- Damage that occurs during shipping. A claim should be filed directly with the carrier to collect damages.
- Unauthorized machine modifications or parts not purchased directly from Powr-Flite or an authorized reseller.
- Failure to properly inspect, maintain, operate, and store the machine. Misuse/abuse is determined at Powr-Flite's sole discretion and examples include damage from pressure washing the machine, exposing the machine to rain, cold, or snow, and damage to the vacuum motor caused by failure to use defoamer.
- Cleaning and refinishing charges or machine downtime. Rentals and other replacement machines are not available from Powr-Flite during the repair period.

Powr-Flite[®]

A Tacony Company
3101 Wichita Court • Fort Worth, TX 76140-1755
1-800-880-2913 • Fax: 1-817-551-0719