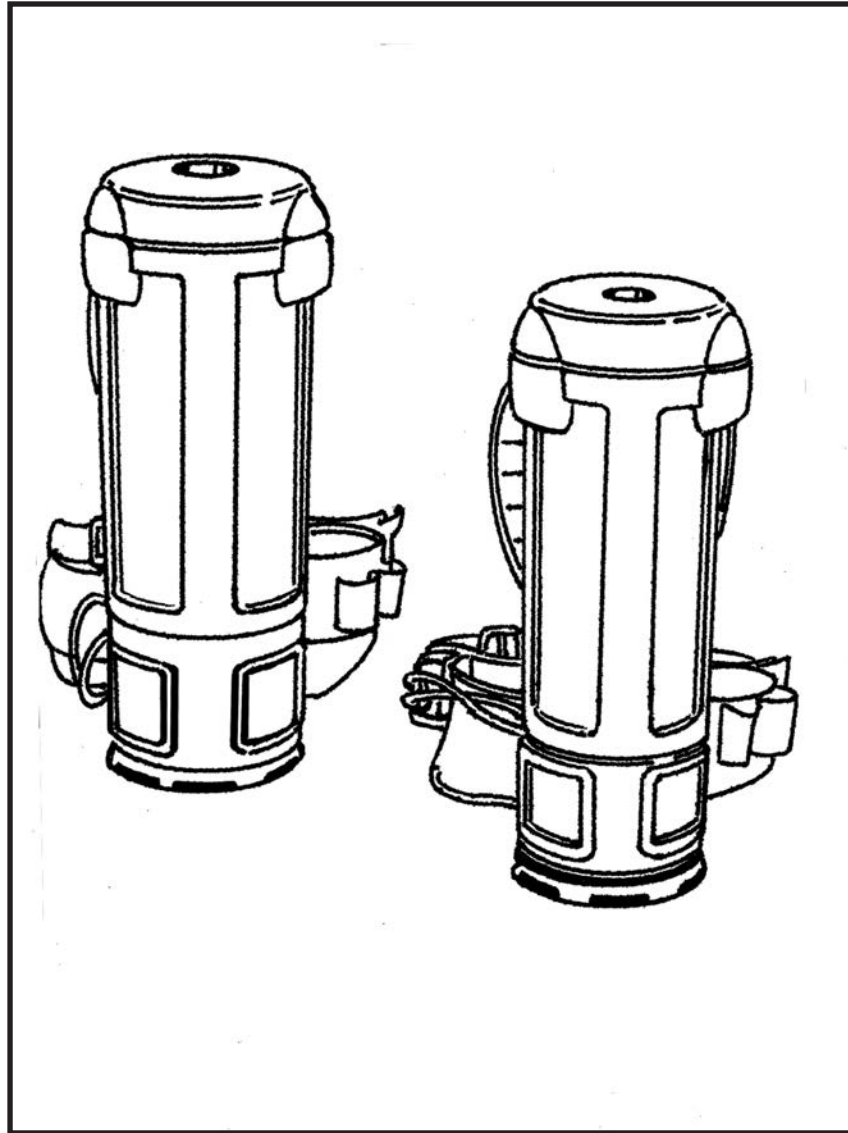


ATLAS

1000TV-HA, 1000TV-HAH
600TV-HA

10QT AND 6QT BACKPACK VACUUMS

OWNER'S/OPERATOR'S MANUAL



PROUDLY DESIGNED AND MANUFACTURED BY

EDIC

WWW.EDIC-USA.COM



UNPACKING YOUR NEW ATLAS:

When your package is delivered, check the carton carefully for signs of rough handling. If the ATLAS is damaged, notify the carrier immediately and request an inspection. Be sure to keep the carton, packing inserts, packing lists and carrier's receipt until the inspector has verified your claim.

EDIC's liability ceases when the carrier picks up the shipment. However, our customer service staff will be happy to furnish any information needed in connection with the claim and will attempt to expedite a resolution.



PLEASE READ BEFORE OPERATING YOUR NEW ATLAS:

Read the manual carefully and completely before attempting to operate the unit. This manual has important information for the use and safe operation of the machine. Keep this manual handy at all times.

This equipment has been engineered and manufactured to provide excellent performance and service. To ensure that your equipment will continue to perform as intended:

- Maintain equipment regularly- following the suggested maintenance schedule provided.
- Use only original EDIC parts when servicing.
- Operate equipment with care.

If additional information is needed, please contact EDIC at: 800-338-3342 or email info@edic-usa.com

All information and specifications printed in the manual are current at the time of printing; however because of EDIC's policy of continual product development, we reserve the right to make changes at any time without notice.

FAILURE TO COMPLY WITH THE FOLLOWING WARNINGS AND INSTRUCTIONS WILL VOID THE WARRANTY.

WARNING!

- Do not leave backpack vacuum plugged in when not in use. Unplug the unit from the wall outlet before serving.
- Do not leave outdoors or on wet surfaces.
- Do not try to vacuum any liquid with this unit. This vacuum is designed for dry vacuuming only.
- Use only as described in this manual. Use only the manufacturer's recommended attachments and replacement parts.
- To prevent electrical damage, use the recommended 50 ft/16 gauge extension cord provided. If you need to use a 100 ft. extension cord, it must be 14 gauge or greater. DO NOT use extension cords greater than 100 ft. with this unit.
- Do not use a damaged power cord or plug. If the unit is not operating as intended, if the unit has been dropped, damaged, left outdoors, or exposed to water, take the unit to an authorized EDIC representative for an inspection.
- Do not carry the unit by the power cord or use the power cord as a handle. Do not close a door on the power cord or wrap around sharp edges or corners. Do not run over the power cord. Keep the power cord away from heated surfaces.
- Do not pull on the power cord to unplug the unit. Grasp plug at the wall outlet.
- Do not handle with wet hands.
- Do not put any objects into openings. Keep hair, loose clothing, fingers, and all parts of the body away from openings and moving parts. Long hair should not hang over or near the unit.
- Do not vacuum flammable/combustible materials or anything that is burning or smoking such as cigarettes, matches or hot ashes.
- Empty the filter bag after every use and before storage. Some types of dust and debris may combust.
- Turn off the unit before unplugging.
- Connect to a properly grounded outlet only.

GROUNDING INSTRUCTIONS AND PRECAUTIONS:

This piece of equipment must be grounded. Should an electrical malfunction occur, grounding provides a path of least resistance for electrical current- reducing the risk of electric shock. This piece of equipment is furnished with a cord that has a grounding conductor and grounding plug. The grounded plug must only be plugged into an appropriate outlet that is properly installed and grounded in accordance with all local codes and ordinances. Connecting the equipment to an improperly grounded outlet can result in an increased risk of electric shock. A qualified electrician should be consulted if you are unsure whether or not the outlet is properly grounded. Do not modify the plug provided with the equipment. If it will not fit the outlet, have a proper outlet installed by a qualified electrician.

This appliance is designed for use on a 120-volt circuit. The grounding plug provided looks like the plug illustrated in Figure 1. Replace the cord if the grounding pin is damaged or broken.

Extension cords connected to this machine should be 14 gauge, three-wire cords with three-prong plugs and outlets. DO NOT use extension cords more than 100 feet long.

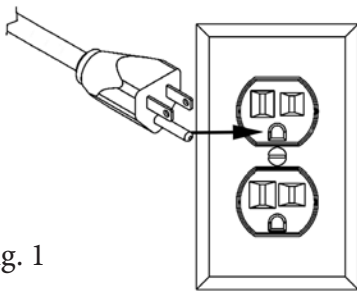


Fig. 1

MOTOR:

This electric thru-flow vacuum motors must never be used in applications in which wet or moist conditions are involved. Such motors are designed to permit the vacuumed air to pass over the electrical wiring to cool it. Therefore, any liquid (including water), dry chemical or other foreign substance which would come in contact with electrical conductors could cause combustion (depending on volatility) or electrical shock. Failure to observe these precautions could result in property damage and severe personal injury.

ERGONOMICS:

- The weight of the ATLAS should be carried on the operators hips by using the adjustable waist belt.
- The padded waist belt and shoulder straps are adjustable for a custom fit.
- The ATLAS has a ventilated back plate to keep the operator cool.
- The ON/OFF switch is conveniently placed on the waist belt for easy access.
- Use the proper attachment for the job. EDIC has attachments to perform most jobs without requiring the operator to bend over or get into difficult positions.

PERIODIC MAINTENANCE:

- Clean cloth and micro filter after every use.
- Remove, rinse, air dry and return the foam filter diffuser located in the compartment below the vacuum motor once a week.
- Wipe the inside and outside of the ATLAS with a household cleaning agent once a week.

Servicing:

In the event that your ATLAS requires service, please contact EDIC at: 800-338-3342
Or email: info@edic-usa.com

Do not attempt repairs yourself. EDIC will assist you in locating an independent service contractor.

PREVENTATIVE MAINTENANCE:



WARNING:

- To avoid risk of electric shock, personal injury, or death; disconnect power before servicing.
- The following information is for use by a qualified service personnel only and is to provide guidance for troubleshooting and maintenance.
- Have a qualified authorized service center check the carbon brushes on the vacuum motor and replace any brush worn down to 1/2" in length.
- Do not lubricate the motor- motor is equipped with sealed bearings.

FILTER MAINTENANCE:

- Check the Micro Filter each and every time the unit is operated and finished operating. NOTE: A clogged or dirty filter will restrict airflow, which could result in reduction of suction and overheating.



- While vacuuming throughout a structure, stop every two hours or as needed to clean the micro filter. Replace the micro filter when necessary. NOTE: Lift both the micro filter and the cloth filter from the unit at the same time. This will prevent the micro filter from being damaged especially if the micro filter is full.
- Once a month or more often if necessary, wash the cloth filter by hand or by machine and line dry. DO NOT PLACE IN DRYER.
- Once a week or more often if necessary, clean the dome filter located inside the vacuum underneath the micro filter and cloth filter.



- Remove, rinse, air dry and return the foam filter diffuser located in the compartment below the vacuum motor once a week.



- Following the above instructions to keep the filters maintained is the best way to extend the life of the HEPA and ULPA filters.

NOTE: Do not try to wash or vacuum the HEPA or ULPA filters. Doing so will fracture the filter media and greatly reduce the efficiency of the filter. HEPA and ULPA filters can be shaken out gently. They must remain sealed if they have been vacuumed with.

PREPARING THE ATLAS FOR OPERATION:

1. Remove the top cap and pull out the cloth filter. Verify that the dome filter has not shifted during shipping. Install a micro filter inside the cloth filter. At the beginning of each shift, the filters should be checked. Empty or replace as necessary. Never use a Micro Filter without the cloth filter in place.



2. Adjust the cap back into place and insert the vacuum hose into the cap opening.



3. Place the aluminum wand into the vacuum hose and twist to secure. Verify that both ends of the vacuum hose are tightly secured.



4. Loosen the shoulder straps and the waist belt. In an open area, lift the backpack and place arms through the shoulder straps.



5. Fasten the waist belt on the backpack, making sure the weight is resting comfortably on your hips.



6. Place extension cord between the waist belt and your body. This will allow you to sense tension when you run out of cord or your cord is stuck. Verify that the power cord is in good condition before turning on the unit.
7. Loosen the plastic ring located at the end of the wand to insert the attachment tools. Secure the attachment tools by tightening the plastic ring.

OPERATION WITH SIDEWINDER TOOL-KIT:

Begin with the wand placed parallel to your body. Pull the top portion of the wand inward towards your waist and twist at the waist while walking backward or forwards (using a side-by-side motion).



STORAGE AND POWER CORD CARE:

POWER CORD:

Never stretch the power cord tightly between the backpack and the electrical outlet.

NOTE: A power cord that is stretched or pulled may not function properly and can create a dangerous condition.

After vacuuming, unplug the extension cord at both ends and wind the cord up loosely. Do not wind the extension cord up by wrapping the cord around your hand and elbow.



PROPER STORAGE:

When the backpack is not in use, store the unit in a dry place.

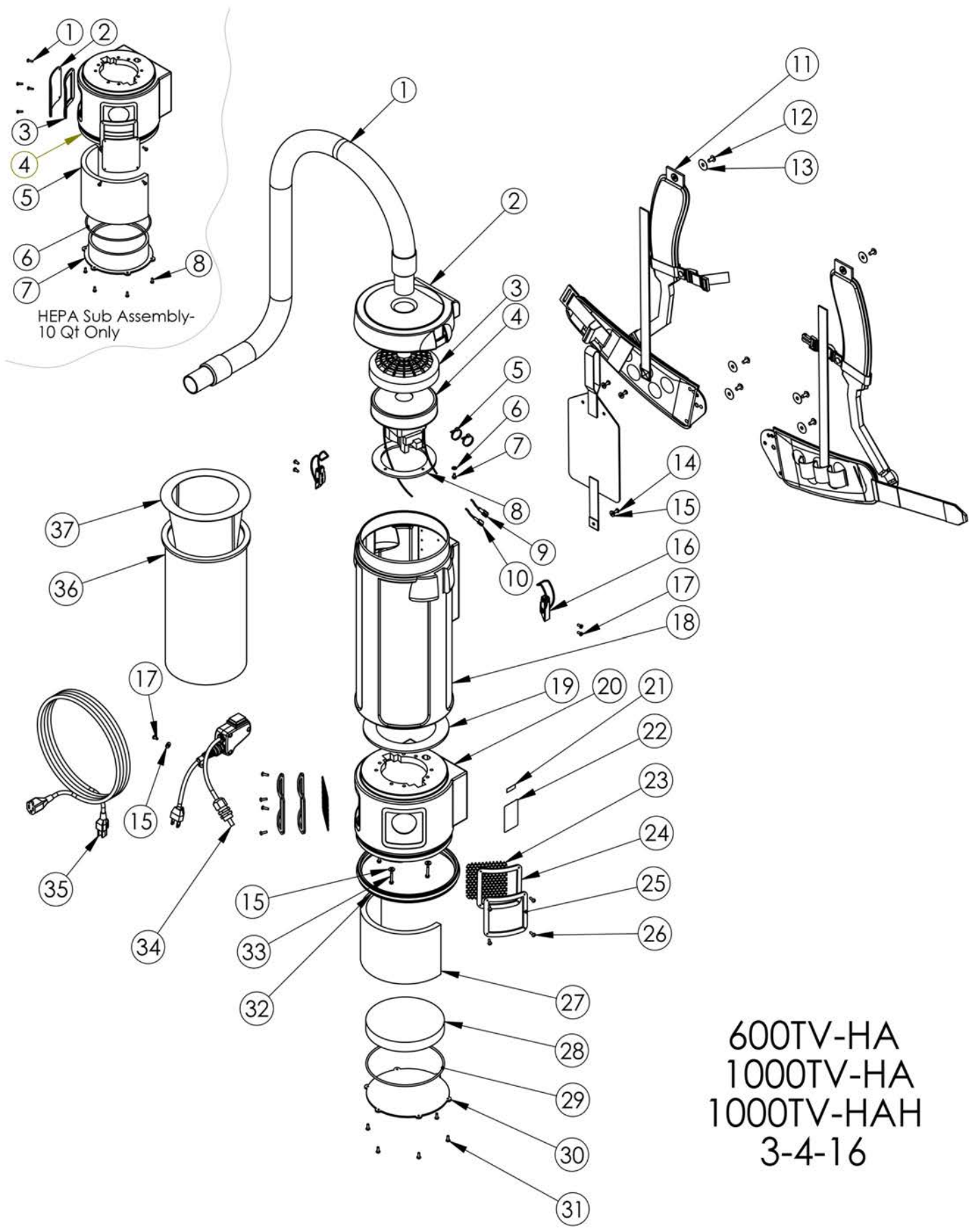
TROUBLESHOOTING:

ISSUE: UNIT DOES NOT OPERATE	
POSSIBLE CAUSE	SOLUTION
Unit is not plugged into the extension cord.	Plug into the 50ft extension cord provided.
Unit is not plugged into the electrical outlet.	Plug into an electrical outlet.
Power switch not turned on?	If no, plug the unit into an electrical outlet. If yes, verify electrical outlet has power. Circuit breaker may have tripped or blown a fuse.

ISSUE: WARMER THAN NORMAL EXHAUST	
POSSIBLE CAUSE	SOLUTION
Dirty Filters.	Clean all filters in the unit

ISSUE: WARM POWER CORD PIGTAIL	
POSSIBLE CAUSE	SOLUTION
Extension cord is too long or wrong gauge	Verify that extension cord does not exceed 50 ft in length and the correct gauge or wiring is used.

ISSUE: LOSS OF SUCTION	
POSSIBLE CAUSE	SOLUTION
Top cap not on tight.	Attach top cap properly.
Dirty filters.	Clean all filters in the unit.
Loose hose cuffs.	Tighten hose cuffs.
Holes or cuts in the vacuum hose.	Replace vacuum hose; call for service



600TV-HA
1000TV-HA
1000TV-HAH
3-4-16

600TV-HA 1000TV-HA 1000TV-HAH 3-4-16

ITEM NO.	10 QT PART NUMBERS	6 QT PART NUMBERS	QTY.
1	J12035 Hose, 4' X 1.5 in		1
2	F13054 Lid, 10 qt	F12909 Lid, 6 QT	1
3	K12019 Dome Filter Assembly		1
4	G13145 Vacuum, 5.7, Single Stage		1
5	B00190 Nylon Tie, 4 in		2
6	see #15		1
7	C11894 screw		1
8	E12065 Gasket, Motor, Ametek		1
9	B00178 Spade Connector, Male		1
10	B00177 Spade Connector, Female		1
11	L12011 Harness, Atlas Backpack		1
12	C12040 Screw, 1-4 20 X .5 in PH		6
13	C12039 Washer, 1-4 X 1, SS		6
14	C11529 Screw, 10-32 X .375 in		3
15	C03251 Washer		8
16	D12020 Latch, Black		2
17	C00310-38 screw		5
18	F13055 Tank, 10 qt	F12910 Tank, 6 QT	1
19	E12050 Seal, Upper & Lower Tank	E12051 Seal, Upper & Lower Tank	1
20	F13056 Base, 10 qt	F12911 Base, 6 QT	1
21	H11839 Label, Patent Pending		1
22	H00565-5 Label, Serial Number, Standard		1
23	D12026 Grille, Exhaust, Aluminum		2
24	E12024 Gasket, Frame, Exhaust		2
25	F12025 Frame, Exhaust		2
26	C00293 #8 X .5 in Pan Black		8
27	E12030 Foam, 5.25 X 14 X .5 in		1
28	E12028 Foam, 6.75 in. Dia X 1 in	E12044 Foam, 6.00 in X 1 in	1
29	E11998 O-Ring, Backpack	E12047 O-Ring, Backpack	1
30	F12043 Plate, .125 in ABS, 10 QT	E12048 Plate, .125 in ABS, 6 QT	1
31	C02288 Screw, #8 X .5 in. Black Pan		6
32	E12031 Bumper Ring, 10 QT	E12041 Bumper Ring, 6 QT	1
33	C13162 screw		4
34	B12018 Cord-Switch Assembly		1
35	B11944 Power Cord, 16-3 X 50'		1
36	L12010 Filter Bag, Cloth -10 QT	L12009 Filter Bag, Cloth - 6 QT	1
37	L12006 5PK Synth Bag, 10 QT, EDIC	L12004 5PK Synth Bag, 6 QT EDIC	1

HEPA Sub Assembly - 10 Qt Only

ITEM NO.	PART NUMBER	DESCRIPTION	QTY.
1	C00293 #8 X .5 in Pan Black		8
2	F12933 Cover, HEPA External, Atlas, 10 qt		2
3	E12024 Gasket, Frame, Exhaust		2
4	F13056-GREEN Base, 10 qt Atlas, Green		1
5	E12916 Foam, 5.25 X 14 X .5 in		1
6	E11998 O-Ring, Backpack		1
7	L12907 Filter, HEPA Atlas		1
8	C02288 Screw, #8 X .5 in. Black Pan		6

ATLAS TOOL KITS

361AC: Standard Tool Kit

- 2- Piece Aluminum Wand
- Carpet Tool with Scallops
- 3" Dust Brush
- 5" Upholstery Tool
- Slide on Brush
- 15" Crevice Tool
- 1 ½" x 12" Extension Tube

362AC Mixed Tool Kit

- 2- Piece Aluminum Wand
- Carpet Tool with Scallops
- Floor Tool with Horse Hair
- 3" Dust Brush
- 5" Upholstery Tool
- Slide on Brush
- 15" Crevice Tool
- 1 ½" x 12" Extension Tube

363AC Turbo Tool Kit

- Curved Wand Handle
- 1 ¼" Telescopic Wand
- 1 ¼" Turbo Head
- 3" Dust Brush
- 5" Upholstery Tool
- Slide on Brush
- 15" Crevice Tool
- 1 ½" x 12" Extension Tube

364AC Sidewinder Tool Kit

- 2-Piece Aluminum Wand
- 15" Carpet Tool
- 3" Dust Brush
- 5" Upholstery Tool
- Slide on Brush
- 15" Crevice Tool
- 1 ½" x 12" Extension Tube

365AC Industrial Tool Kit

- Curved Wand Handle
- 1 ¼" Telescopic Wand
- 1 ¼" Combo Floor Tool
- Rectangular Dust Brush
- 1 ½" to 1 ¼" Reducer
- 1 ¼" Upholstery Tool
- Slide on Brush
- 1 ½" x 13" Crevice Tool
- 1 ½" x 12" Extension Tube

366AC Electric Tool Kit

- Power Cord
- 1 ¼" Telescopic Wand
- Electric Power Head
- Electric Wand Handle
- Rectangular Dust Brush
- 1 ¼" Upholstery Tool
- Slide on Brush
- 1 ½" x 13" Crevice Tool
- 1 ½" x 12" Extension Tube

1 1/2" ATLAS ACCESSORIES

PART #	DESCRIPTION
K00700-1	14" Carpet Tool, Scalloped
K00700-2	14" Carpet Tool w/ Easy Glide Brush
K00700-3	16" Carpet/Bare Floor Tool w/ Adj. Brush
K00700-4	11" Carpet/ Bare Floor Tool w/ Adj. Brush
K00700-5	15" Carpet Tool, Scalloped
K00700-7	14" Floor Tool w/ Nylon Brush
K00700-8	14" Floor Tool w/ Horse Hair
K00700-10	14" Floor Tool w/ Felt
K00700-11	14" Floor Tool w/ Felt, scalloped
K00700-13	20" Floor Tool w/ Nylon Brush
K00700-17	18" Sidewinder Carpet Tool
K00700-22	15" Sidewinder Carpet Tool
K00700-18	18" Sidewinder Floor Tool w/ Nylon Brush
K00700-23	15" Sidewinder Carpet Tool
K00700-19	18" Sidewinder Floor Tool w/ Horsehair Brush
K00700-25	15" Sidewinder Carpet Tool
K00700-20	18" Sidewinder Floor Tool with Felt, Scalloped
K00700-21	18" Sidewinder Floor Tool w/ Felt
K00700-27	8" Sidewinder Carpet Tool w/ Horsehair
K00700-26	8" Sidewinder Carpet Tool
K00728-1	5" Upholstery Tool
K00728-5	5" Upholstery Tool, Metal
K00728-1-1	Slide- on Brush for K00728-1 K00728-5
K00700-6	14" Carpet Tool Paddle
K00708-3	Rectangular Dust Brush w/ Swivel Neck
K00708-7	Round Dust Brush, metal
K00708-1	Round Dust Brush
K00728-3	5" Auto Upholstery Tool
K00729-3	28" Crevice Tool
K00729-2	15' Crevice Tool
D03386-1	Aluminum Wand, 2-Piece
D03386-2	36" Wand
D03386-7	Telescopic S-Bend Wand
D03386	Aluminum Wand, 1 Piece
D03386-6	Telescopic Extension Wand
D03386-8	Aluminum Wand, Straight, 59"
D03386-10	Aluminum Extension Wand, 59", Sidewinder
D12909	Aluminum Extension Wand, 30" Sidewinder
D03386-9	Aluminum, 2-Piece Wand, Sidewinder
J12035	Hose Assy, Static Dissipating