

AIR MOVING MOTOR: 5.7 in. / 144.8 mm. 120 V 2-Stage

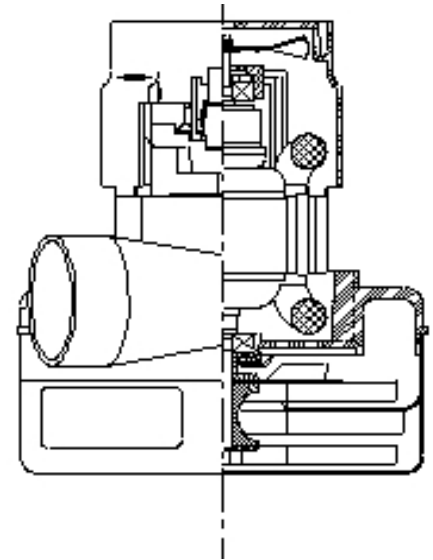
MODEL:116392-00

SPECIFICATIONS

Motor Type:	Series Universal
Input Voltage:	120 VAC, 50/60 Hz
Frequency:	50/60 Hz
Fan Diameter:	5.7 in./144.8 mm
No. Fan Stages:	2
Fan System Style:	Bypass
Air Discharge:	Tangential
Operating Temp:	32-104°F/0-40°C
Bearing System:	Ball/Ball
Frame:	Skeleton
Brush Type:	Carbon
Inlet Tube Dia.:	None
RFI Choke:	None
Speed:	1

ADDITIONAL FEATURES

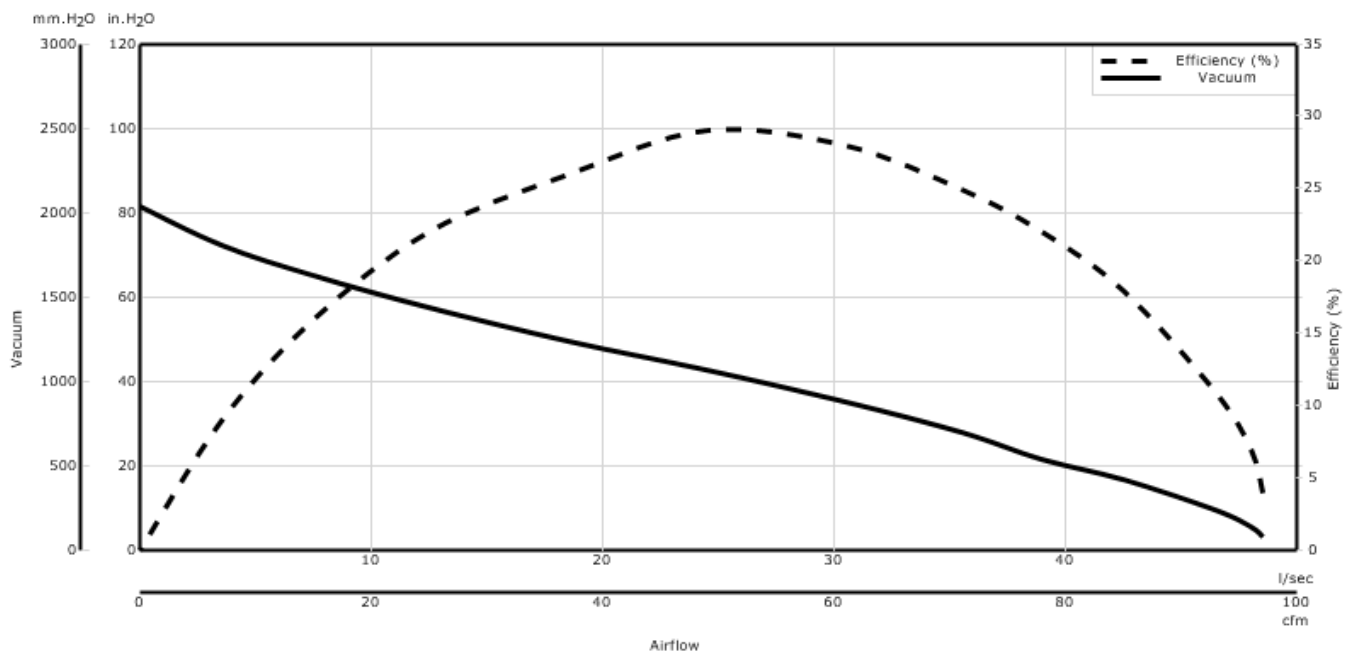
Regulatory:	UL Recognized, CSA certif
Comm Bracket:	Aluminum
Fan Bracket:	Plastic
Therm Protect:	None
Insulation Class:	Class A
Added Bearing Prot.:	Air Seal
Fan Shell Coat:	None
Electrical Conn.:	Lead Wires
Duty Cycle:	Intermittent
Special Feature:	



Design Application

Equipment operating in environments requiring separation of working air from motor ventilating air.
Designed to handle clean,dry, filtered air only

PERFORMANCE



* Data represents performance of a typical motor sampled from a large production quantity. Individual motor data may vary, due to normal manufacturing variations."

Data shown is measured at regulated nominal voltage and normalized to standard atmospheric pressure and temperature.

ENGLISH

Orifice (inches)	Amps	Watts (In)	RPM	Vac (In. H2O)	Flow (CFM)	Air Watts
2.000	8.60	911	17370	3.3	97.0	38
1.750	7.90	908	17297	5.4	96.0	63
1.500	7.90	911	17203	9.5	93.0	103
1.250	8.00	917	17100	16.7	85.0	167
1.125	8.00	919	17105	21.5	78.0	198
1.000	7.90	916	17187	28.0	71.0	233
0.875	7.80	898	17467	35.1	61.0	250
0.750	7.50	866	17925	42.9	49.0	248
0.625	7.00	822	18525	49.7	37.0	215
0.500	6.50	767	19430	57.6	25.0	172
0.375	6.00	707	20470	65.1	15.0	116
0.250	5.50	653	21533	72.3	7.0	60
0.000	5.10	612	22210	81.8	0.0	0

METRIC

Orifice (mm)	Amps	Watts (In)	RPM	Vac (mm H2O)	Flow (l/Sec)	Air Watts
48.000	8.30	910	17338	107.0	45.6	49
40.000	7.90	910	17231	210.0	44.3	91
30.000	8.00	918	17103	491.0	38.3	184
23.000	7.80	903	17397	846.0	30.0	246
19.000	7.50	865	17937	1,093.0	23.0	247
16.000	7.00	824	18501	1,255.0	17.7	216
13.000	6.60	773	19340	1,443.0	12.4	176
10.000	6.10	716	20314	1,625.0	7.8	124
6.500	5.50	656	21480	1,827.0	3.5	63
0.000	5.10	612	22210	2,078.0	0.0	0

* Metric data is calculated based on ASTM standards
 Box tests are performed to ASTM F558

WARNING: When using AMETEK vacuum motors in machines that come in contact with foam, liquid (including water), or other foreign substances, the machine must be designed and constructed to prevent those substances from reaching the fan system, motor housing, and electrical components. Ametek motors other than hazardous duty models should not be applied in machines that come in contact with dry chemicals or other volatile materials. Failure to observe these precautions could cause flashing (depending on volatility) or electrical shock which could result in property damage and severe bodily injury, including death in extreme cases. All applications incorporating Ametek motors should be submitted to appropriate organizations or agencies for testing specifically related to the safety of your equipment.