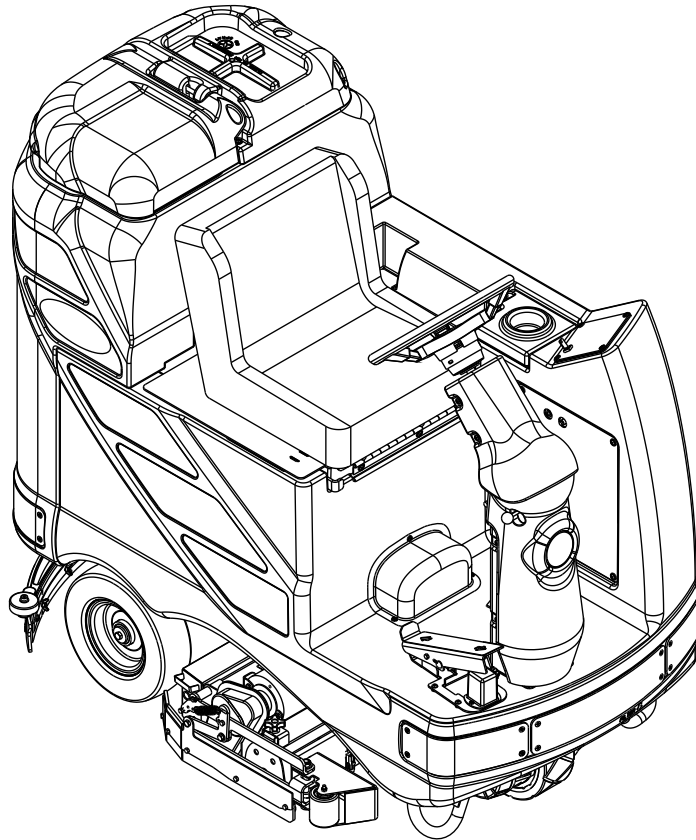


Adgressor™, Adgressor™ AXP



PARTS LIST

MODELS: 56390900(2820D), 56390904(3220D), 56390902(2820C), 56390906(3220C)
56390908(3520D), 56390912(3820D), 56390910(3520C), 56390914(3820C),
56390903(2820C-AXP), 56390901(2820D-AXP), 56390907(3220C-AXP), 56390905(3220D-AXP),
56390911(3520C-AXP), 56390909(3520D-AXP), 56390915(3820C-AXP), 56390913(3820D-AXP)



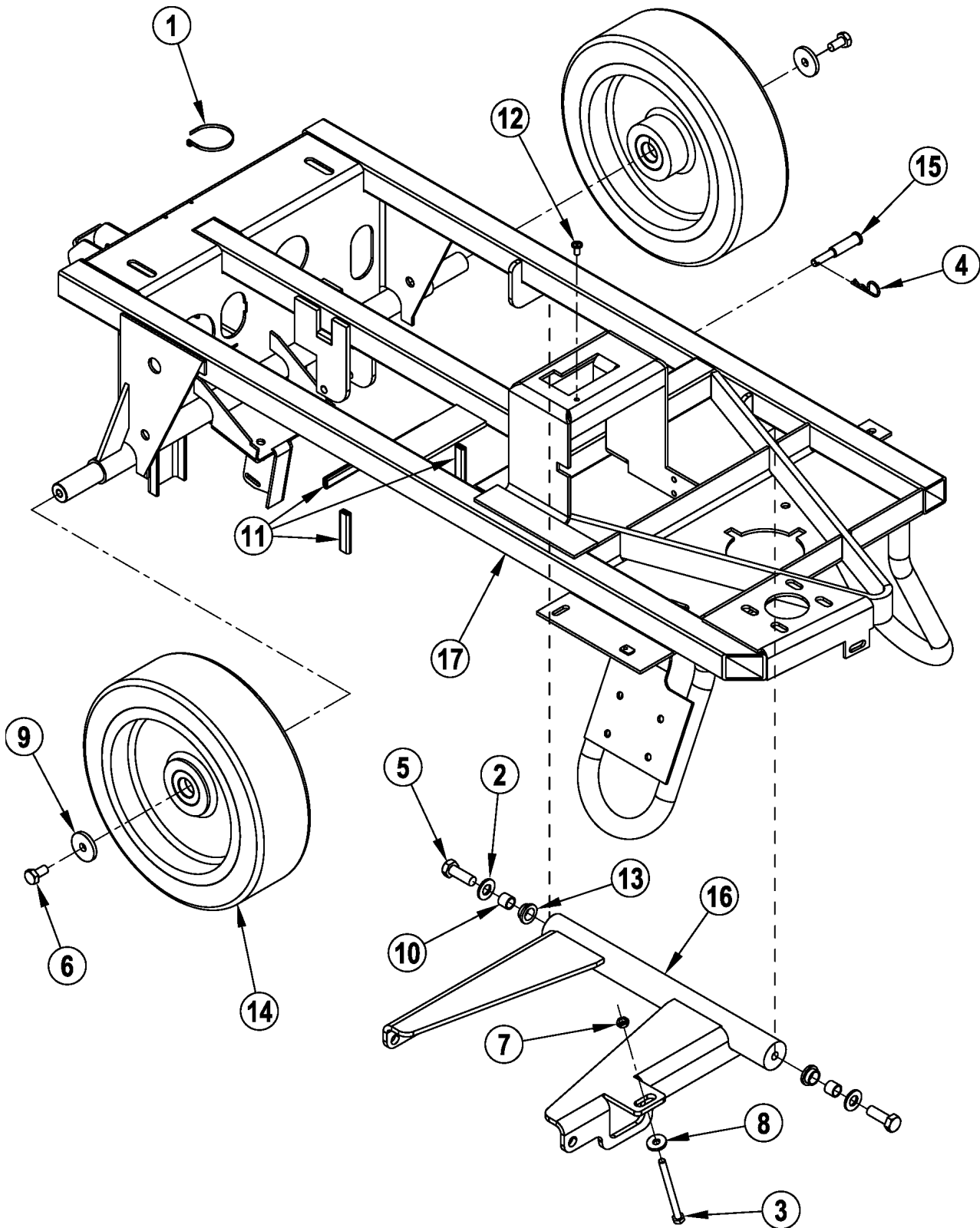
Advance

DESCRIPTION	PAGE
Chassis System	2-3
Decal System.....	4-5
Detergent Injection System (AXP)	6-7
Drive & Brake Pedal Assemblies	8-9
Electrical Panel Assembly.....	10-11
Front Wheel Assembly.....	12-13
Recovery System.....	14-15
Scrub System-Cylindrical (28", 32").....	16-17
Scrub System-Cylindrical (35", 38").....	18-19
Scrub System-Disk (28", 32")	20-21
Scrub System-Disk (35", 38")	22-23
Skirt Assemblies-Cylindrical (All Models).....	24-25
Skirt Assemblies-Disk (28", 32")	26-27
Skirt Assemblies-Disk (35", 38")	28-29
Solution System (Standard).....	30-31
Solution System (AXP)	32-33
Squeegee Assembly	34-35
Squeegee System	36-37
Steering Column Assembly.....	38-39
Battery Watering System	40-41
Wiring Diagram	42-43
Optional Kits and Accessories	44-45
Brush Selector Guide-Disk	46
Brush Selector Guide-Cylindrical.....	47

WHEN ORDERING PARTS

- * Use the numbers from the "Ref. No." columns in this parts list.
- * Specify the model and serial number of the machine.
- * Use the space below to record the model and serial number for future reference.

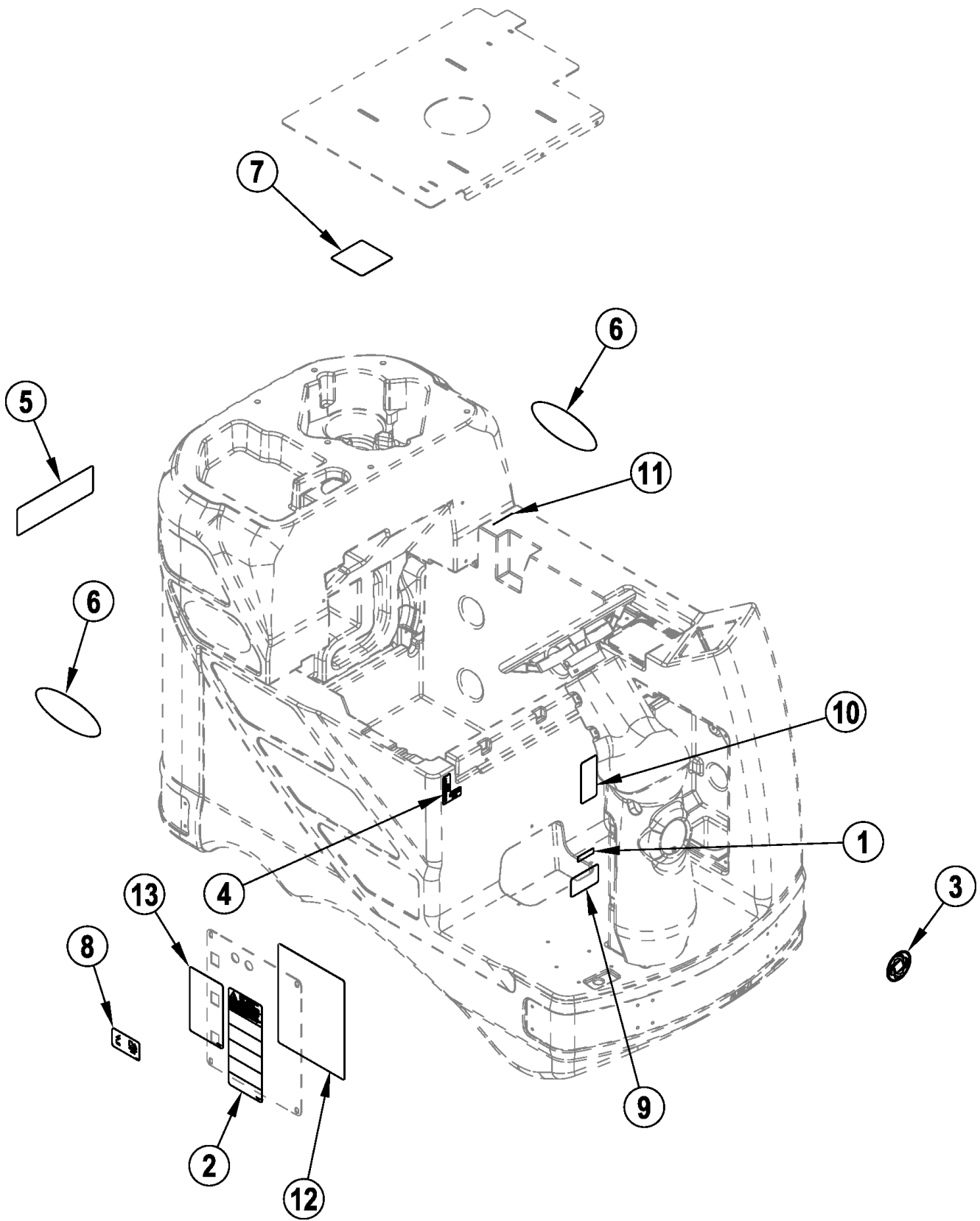
Model _____ Serial No. _____



CHASSIS SYSTEM

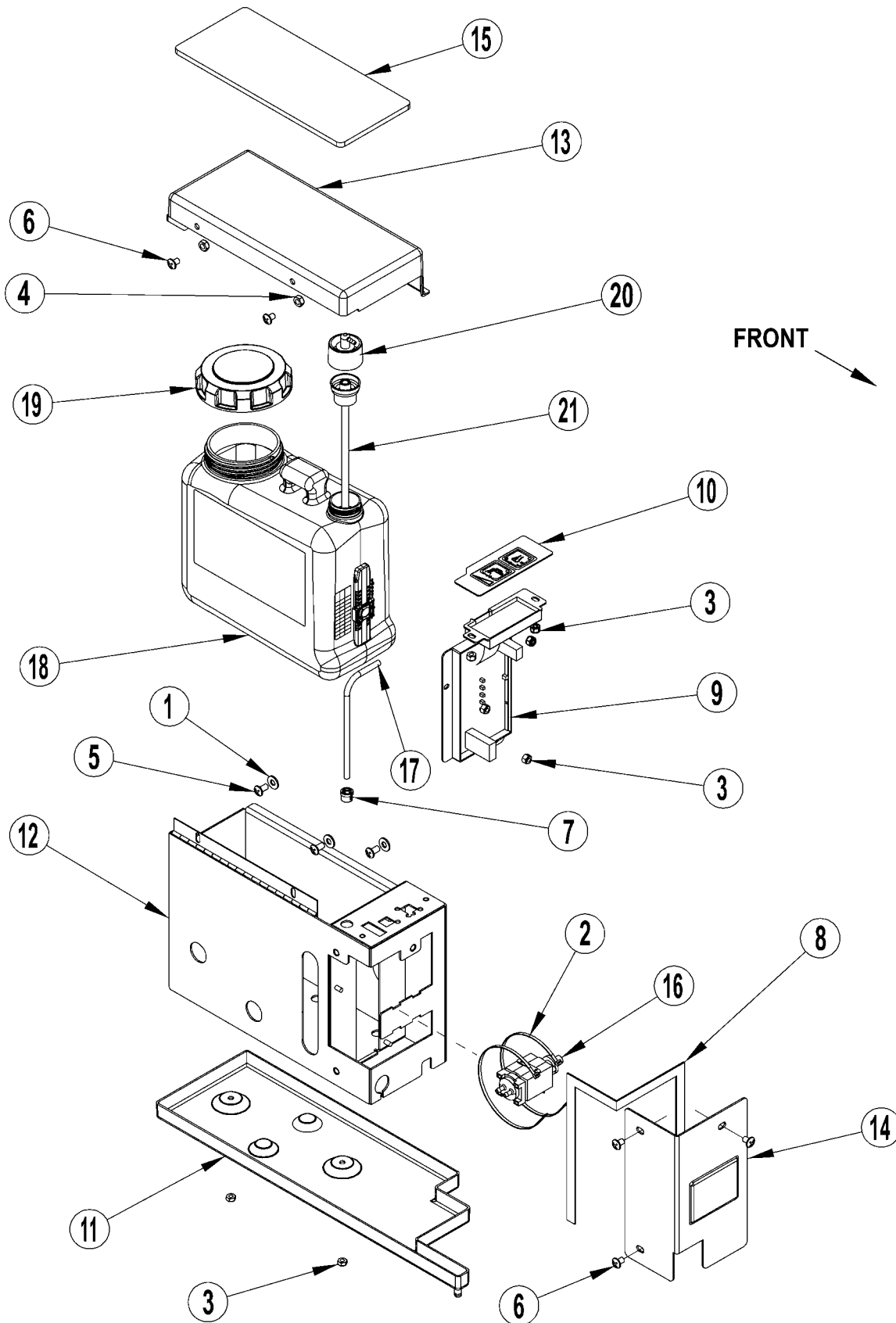
Item	Ref. No.	Qty	Description
1	56478246	1	Tie, Cable
2	56001879	2	Wsh, Flt SAE 1/2
3	56002461	1	Scr, Hex Thd To Hd 5/16-18 x 4.00
4	56002959	1	Pin, Cotter Hair
5	56003412	2	Scr, Hex Nyl Loc M12-1.75 x 35mm
6	56003442	2	Scr, Hex Nyl Loc M10-1.50 x 20mm
7	56009086	1	Nut, Hex Jam 5/16-18
8	56009122	2	Wsh, Flt .344 x .938 x .125
9	56367117	2	Wsh, Flt .406 x 1.50 x .1875
10	56367206	2	Bushing
11	56412122	4	Trim Edge
12	56009062	1	Scr, Pan Phil Thd Form 1/4-20 x .50
13	56420160	2	Bearing, Flange
14	56601482	2	Assembly, Wheel and Bearing (each assembly includes two bearings)
	56412243	4	Bearing, Ball
15	56314152	1	Pin, Actuator
16	56314495	1	Linkage, Arm Weld't.
17	56390803	1	Weldment Chassis
[]	56478246	5	Cable Tie
[]	56477613	9	Cable Tie

[] = Not Shown



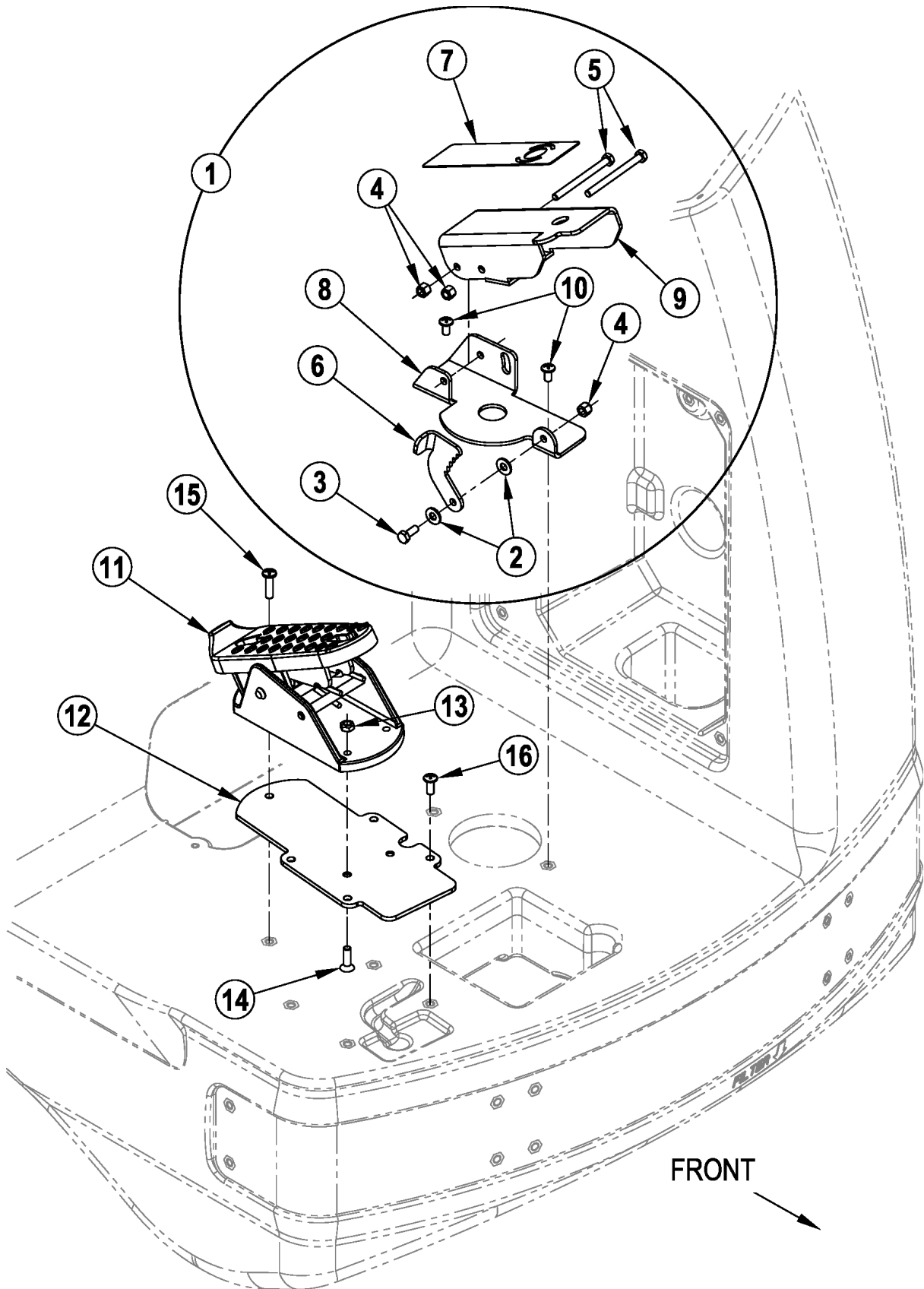
DECAL SYSTEM

Item	Ref. No.	Qty	Description
1	56014450	1	Decal, Patent Number
2	56014601	1	Decal, Caution
3	56015276	1	Decal, Logo
4	56015179	1	Decal, Emergency
5	56015229	1	Decal, Advance
6	56015230	2	Decal, Adgressor
	56016638	2	Decal, Adgressor AXP
7	56015242	1	Decal, Battery Wiring
8	56016328	1	Decal, Circuit Breaker
9	56016401	1	Decal, Parking Brake
10	56015445	1	Decal, Solution Flow (not used on AXP models)
11	56015281	1	Decal, Logo 2 Inch
12	56015807	1	Decal, Ladder Diagram
13	56016407	1	Decal, Smart Solutions



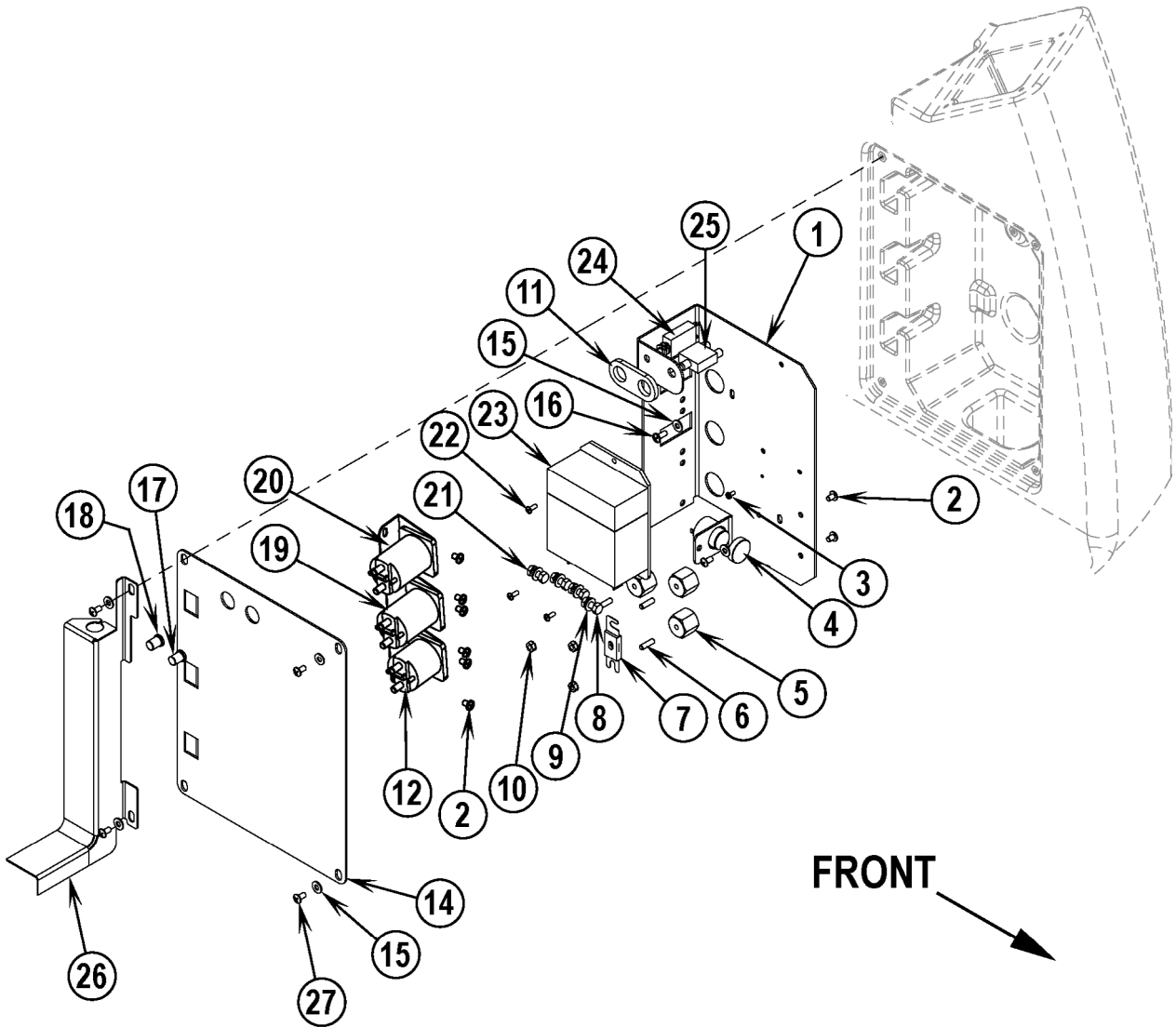
DETERGENT INJECTION SYSTEM

Item	Ref. No.	Qty	Description
	56316537	1	Detergent Injection Assembly (items 1-21)
1	56009025	3	Wsh, Flt .266 x .750 x .036
2	56478523	2	Tie, Cable
3	56002832	8	Nut, Hex Nyl Loc-Thin 10-24
4	56002840	2	Nut, Hex Nyl Loc-Thin 1/4-20
5	56002145	3	Scr, Pan Phil 1/4-20 x .50
6	56003580	5	Scr, Pan Phil SS 1/4-20 x .38
7	56003699	1	Bushing, 1/4 ID Snub
8	56200754	1	Gasket, Strip
9	56316110	1	Control Assembly
10	56314937	1	Control Decal
11	56314939	1	Tray, Detergent
12	56314944	1	Weldment, Detergent Box
13	56314945	1	Cover, Detergent
14	56314946	1	Cover, Pump
15	56314953	1	Pad, Detergent
16	56314984	1	Pump, Detergent
17	56314991	1	Hose, Chem Resistant 14"
18	56315502	1	Chemical Bottle Assy.
	56315511	1	Indicator Assy
**	56315503	A/R	Chem Bottle Assy (18-21)
19	56315517	1	Cap, Raw
20	56315523	1	Cap, Dry Break, 1/8 Barb, 90°
21	56315527	1	Insert, Dry Break



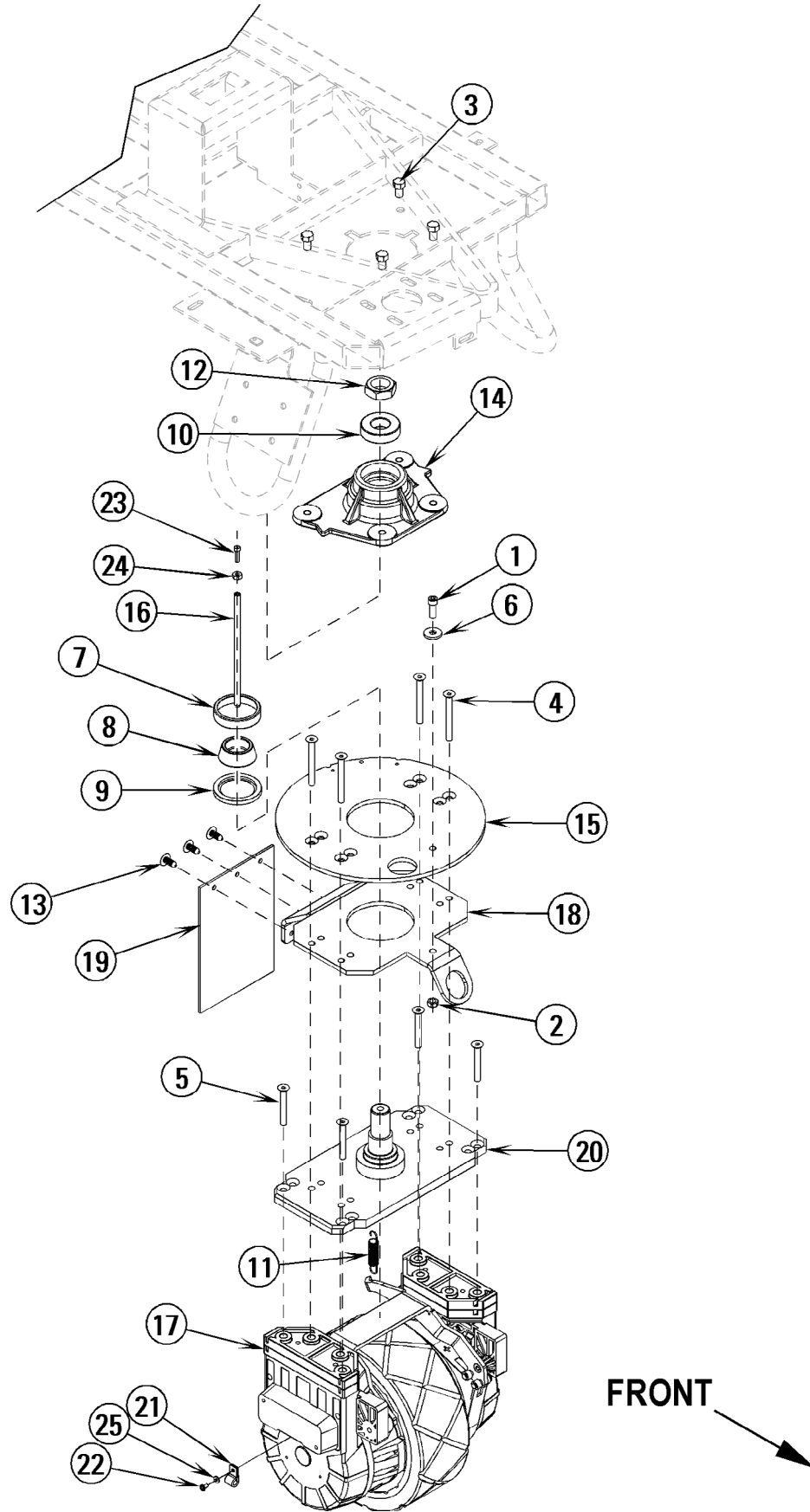
Drive & Brake Pedal Assy

Item	Ref. No.	Qty	Description
1	56314676	1	Brake Pedal Assy (2-9)
2	56002098	4	Wsh, Flt SAE 1/4
3	56003174	1	Scr, Hex Thd to Hd M6-1.0 x 16mm
4	56003403	5	Nut, Hex Nyl Loc M6-1.00
5	56003428	3	Scr, Hex M6-1.00 x 75mm
6	56314122	1	Lock, Brake
7	56314138	1	Mat, Pedal
8	56314677	1	Bracket, Brake
9	56314678	1	Pedal Weldment
10	56003119	7	Scr, Pan Phil SS 1/4-20 x .50
11	56601052	1	Foot Pedal Assy
12	56390812	1	Foot Pedal Plate
13	56002473	2	Nut, Hex Flex Loc 1/4-20
14	56003086	2	Scr, Flt Phil Ss 1/4-20 x .88
15	56002292	1	Scr, Pan Phil 1/4-20 x 1.00
16	56002989	4	Scr-Pan Phil SS 1/4-20 x .62



Electrical Panel Assy

Item	Ref. No.	Qty	Description
1	56314668	1	Electrical Panel
2	56002462	9	Scr, Pan Phil 1/4-20 x .38
3	56009051	1	Scr, Pan Phil Thd Form 8-32 x .38
4	56412177	1	Horn / Backup Alarm (H1)
5	56469858	3	Standoff, Insulated
6	56009020	3	Stud
7	56412089	1	Fuse, 150 Amp
8	56001862	4	Scr, Hex Hd 5/16-18 x .50
9	56009052	4	Wsh, Int SHPRF 5/16
10	56002561	3	Nut, Hex W/SHPRF 1/4-20
11	56407193	1	Gasket
12	56395455	1	Contactor (Vac Motor / K2)
14	56109534	1	Cover, Electrical
15	56002098	6	Wsh, Flt SAE 1/4
16	56002066	2	Scr, Pan Phil 1/4-20 x .62
17	56459369	1	Boot, Reset Button
18	56459367	1	Boot, Reset Button
19	56395453	1	Contactor (Brush Drive / K1)
20	56395453	1	Contactor (Wheel Drive / K3)
21	56009086	4	Nut, Hex Jam 5/16-18
22	56001993	3	Scr, Pan Phil 10-24 x .50
23	56390856	1	Controller, Speed
24	56387316	1	Circuit Breaker, 10 Amp (Control Circuit / F3)
25	56454429	1	Circuit Breaker, 70 Amp (Wheel Drive / F2)
26	56314956	1	Weldment, Harness Guide (Detergent Injection models only)
27	56002989	4	Scr-Pan Phil SS 1/4-20 x .62

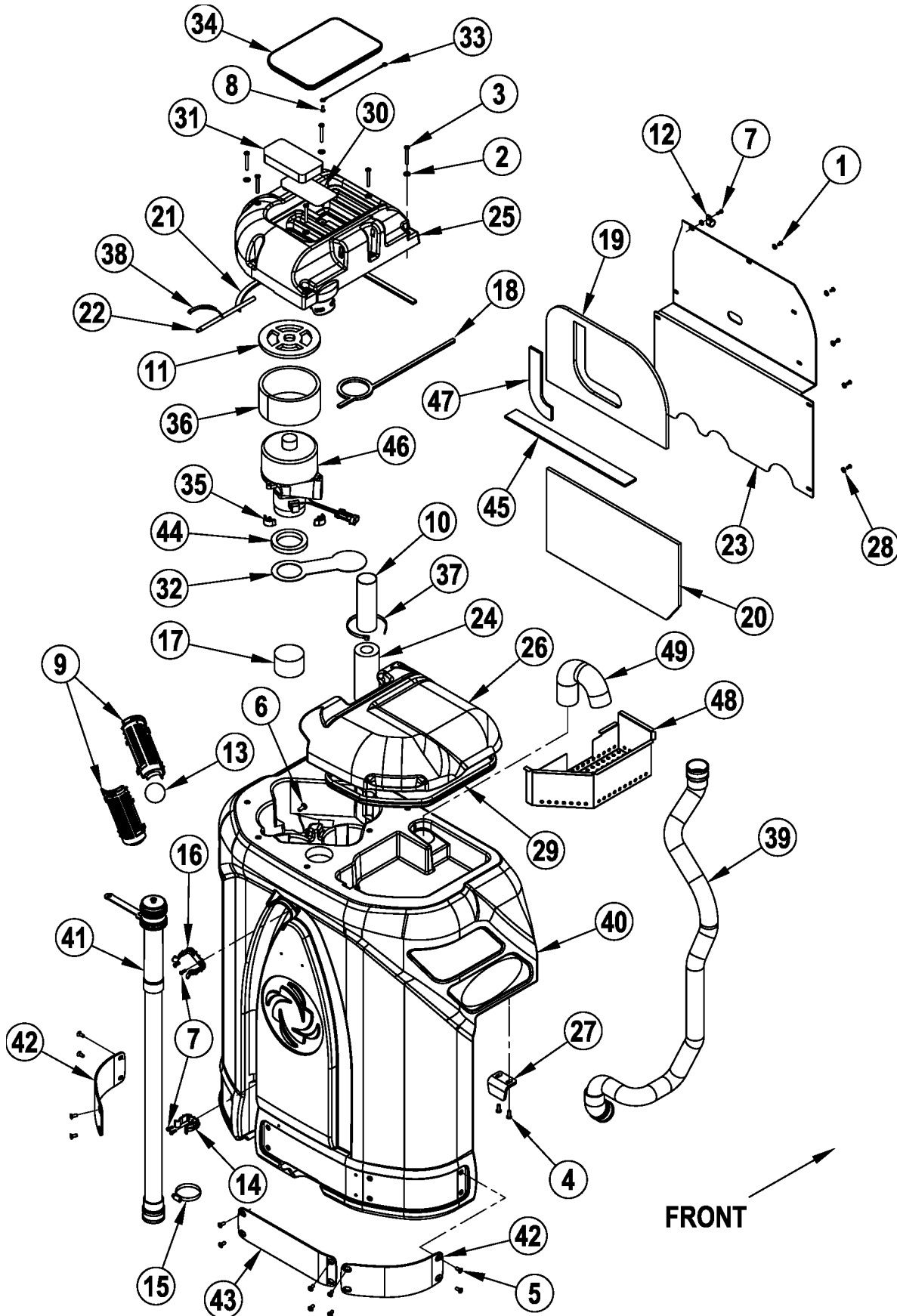


Front Wheel Assy

Item	Ref. No.	Qty	Description
1	56002158	1	Scr, Soc Hd 5/16-18 x .88
2	56002826	1	Nut, Hex Nyl Loc-Thin 5/16-18
3	56003040	4	Scr, Hex Hd Loc 3/8-16 x .62
4	56003273	4	Scr, Soc Hd M8-1.25 x 70mm
5	56003274	4	Scr, Soc Hd M8-1.25 x 55mm
6	56009122	1	Wsh, Flt .344 x .938 x .125
7	56158143	1	Bearing Cup
8	56158151	1	Bearing Cone
9	56171081	1	Seal, Shaft
10	56378380	1	Bearing, Ball
11	56481699	1	Spring
12	56003220	1	Nut, Hex Nyl Loc-Thin 1-14 UNF
13	56003263	3	Rivet, Nylon Tree Push-In
14	56314032	1	Block, Bearing
15	56314116	1	Plate, Steering
16	56314157	1	Rod, Brake
17	56390817	1	Motor / Drive Wheel Assy (M3)
[]	56380506	1	Motor/Drive Wheel Kit
[]	56316637	1	Drive Wheel Harness Kit
[]	56314289	1	Brake Band
[]	56390814	1	Drive Wheel-Blue Urethane
[]	56412325	1	Carbon Brush Kit
[]	56412320	1	Brush Cover Kit
[]	56412321	1	Sealing Ring
[]	56412322	1	Bearing, ball Gearbox Side
[]	56412323	1	Bearing, Ball Brush Side
[]	56314282	1	Brake Bar
[]	56109589	1	Connector Box
[]	56109590	1	Cover-Connector Box
18	56314278	1	Plate, Splash Guard
19	56314283	1	Splash Guard
20	56314085	1	Spindle Weldment
21	56305317	1	Clamp, P
22	56003653	1	Scr, Pan Phil M4 x 8
23	56003611	1	Scr-Pan Phil SS 10-24 x .88
24	56009293	1	Nut, Hex Machine SS 10-24
25	56002006	1	Wsh, Flt SAE #6

[] = Not Shown

** = Optional

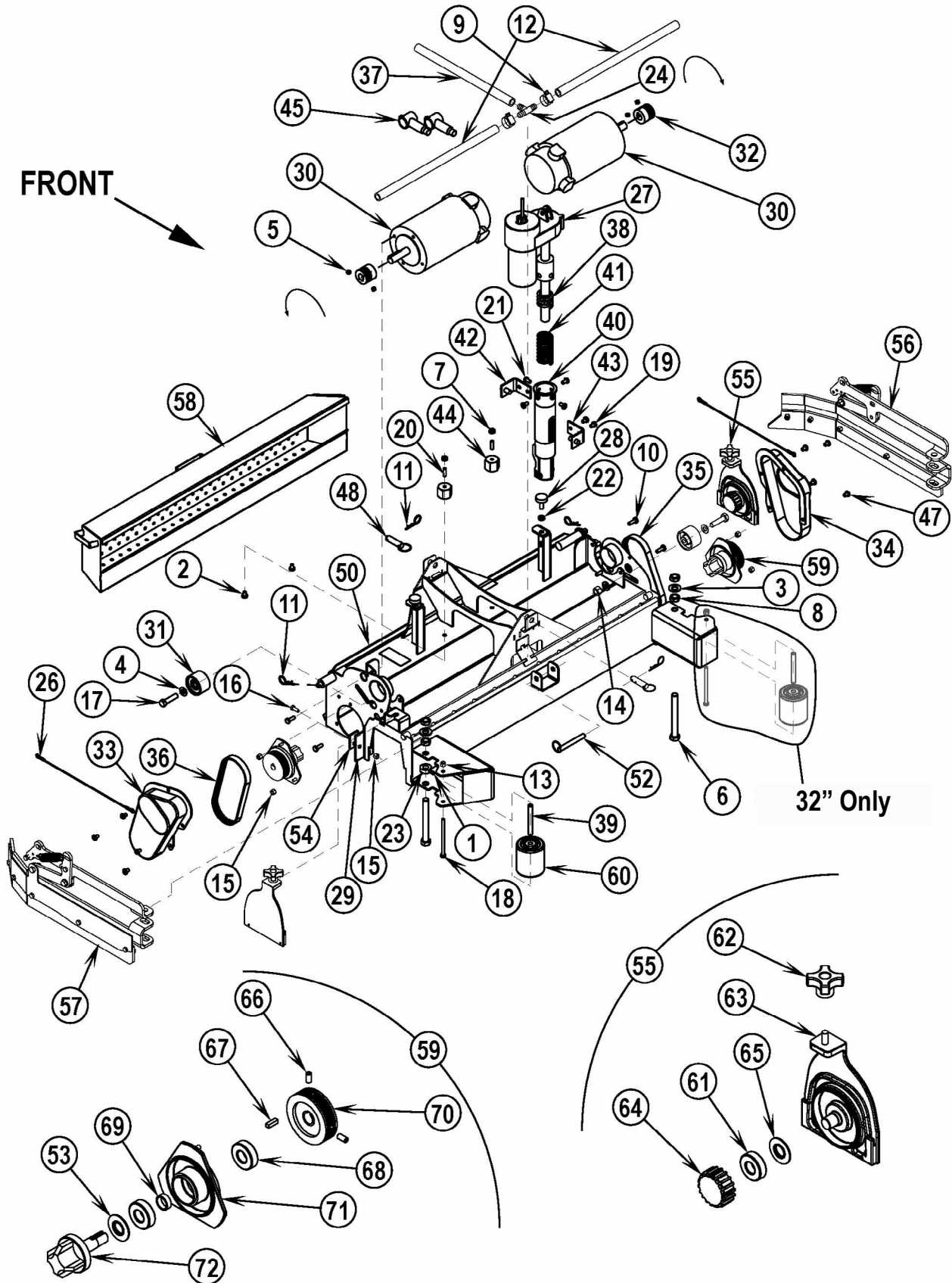


Recovery System

Item	Ref. No.	Qty	Description
1	56002043	8	Scr, Pan Phil 10-24 x .38
2	56002098	7	Wsh, Flt SAE 1/4
3	56002108	6	Scr, Pan Phil 1/4-20 x 2.00
4	56002507	4	Scr, Pan Phil 1/4-20 x .75
5	56002760	12	Scr, Flt Phil 1/4-20 x .62
6	56002793	1	Scr, Pan Phil 5/16-18 x .75
7	56002896	5	Scr, Pan Phil SS 10-24 x .62
8	56009191	2	Scr, Pan Phil Plastite 10-14 x .50
9	56324497	2	Cage, Float
10	56458457	1	Hose, Vac 2.00 x 6.00
11	56314704	1	Gasket
12	56385564	1	Clamp, P
13	56391690	1	Ball, Float
14	56407361	1	Clamp, Plastic
15	56440213	3	Clamp, Hose SAE #32
16	56212236	1	Clamp, Plastic
17	56314098	2	Foam Cylinder
18	56314099	1	Gasket
19	56314100	1	Muffler, Top Panel
20	56314101	1	Muffler, Bottom Panel
21	56314103	1	Gasket
22	56314115	1	Pin, Cover Pivot
23	56314749	1	Cover, Exhaust
24	56391807	1	Foam, Acoustical
25	56314201	1	Cover, Vac Motor
26	56314203	1	Lid, Recovery
27	56314220	2	Tank Mount Bracket
28	56001954	9	Wsh, Flt SAE #10
29	56314371	1	Gasket
30	56314372	1	Screen, Filter
31	56314373	1	Filter
32	56314376	1	Plate, Separator
33	56314400	1	Wire Rope, 9 Inch
34	56109539	1	Lid, Vac Filter
35	56314484	3	Mount, Vibration
36	56314488	1	Muffler, Vac
37	56477613	1	Tie, Cable
38	56314509	1	Spring
39	56390862	1	Vac Hose Assy.
40	56390832	1	Tank, Recovery
41	56601401	1	Drainhose
[]	56601411	1	Drain Hose Cap Kit
[]	56601410	1	Drain Hose Extension
42	56314639	2	Bumper, Rear
43	56314656	1	Bumper, Rear Middle
44	56314760	1	Gasket, Vacuum Duct
45	56314706	1	Foam, Sound
46	56397228	1	Motor, Vac 36VDC (M5)
[]	56212223	1	Carbon Brush Set
[]	56314251	1	Harness, Vac
47	56314705	1	Foam, Sound
48	56390847	1	Strainer Basket
49	56390848	1	Formed Hose

[] = Not Shown

FRONT



Scrub System-Cylindrical (28/32)

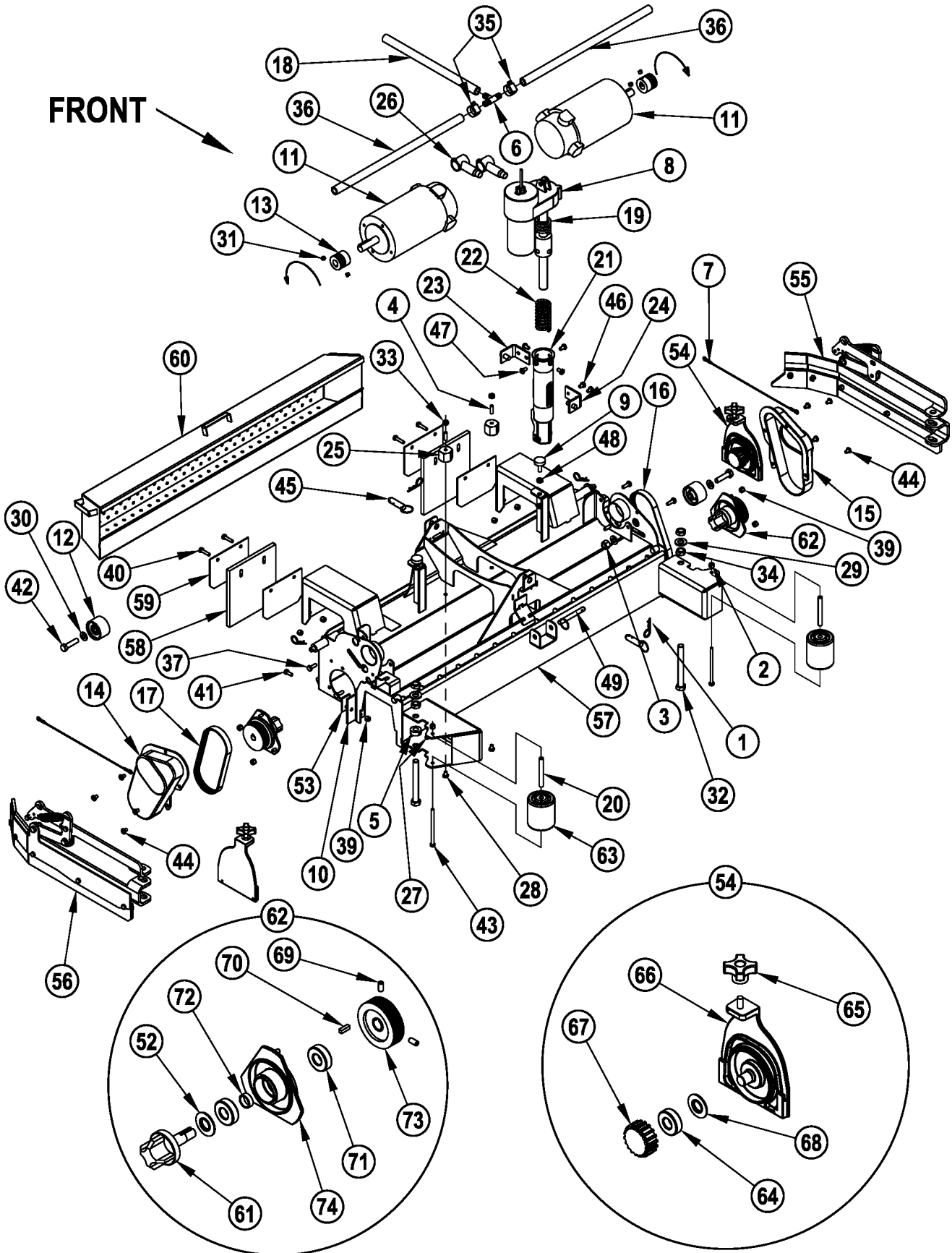
Item	Ref. No.	Qty	Description	Item	Ref. No.	Qty	Description
1	56001841	2	Scr, Soc Set Loc 1/4-20 x .25	35	56407465	1	Belt, Poly V 180J6
2	56001861	2	Scr, Hex Hd 1/4-20 x .38	36	56407466	1	Belt, Poly V 190J6
3	56001879	2	Wsh, Flt SAE 1/2	37	56409462	1	Hose, Spiral
4	56002063	4	Wsh, Flt SAE 3/8	38	56412071	1	Compression Spring
5	56002086	4	Scr, Soc Set Loc 5/16-18 x .25	39	56412176	1	Bushing (qty of 2 on 32")
6	56002484	2	Scr, Hex Hd 1/2-13 x 4.50	40	56412262	1	Housing, Spring
7	56002561	2	Nut, Hex W/ Shprf 1/4-20	41	56420018	1	Compression Spring
8	56002843	4	Nut, Hex Nyl Loc-Thin 1/2-13	42	56420019	1	Nut Retainer
9	56112771	2	Clamp, Hose	43	56420020	1	Nut Retainer
10	56002948	6	Scr, Hex Hd Loc 1/4-20 x .75	44	56469858	2	Standoff, Insulated
11	56002959	4	Pin, Cotter Hair	45	56493357	2	Insulator, Terminal
12	56316553	2	Manifold, PVC 28	47	56003603	8	Scr, Pan Phil Thd Form 1/4-20 x .38
	56316552	2	Manifold, PVC 32	48	56003671	2	Pin, Ring .50 x 1.25
13	56003403	1	Nut, Hex Nyl Loc M6-1.00 (qty of 2 on 32")	49	NA	1	Accessory Plate Data Plate
14	56003406	2	Nut, Hex Nyl Loc M10-1.50	50	56316570	1	Housing Weld't, 28"
15	56003426	8	Nut, Hex Nyl Loc SS M6 x 1.0		56316571	1	Housing Weld't, 32"
16	56003431	2	Scr, Hex Hd SS M6-1.0 x 16mm	51	56314254	1	Harness, Brush Motor (Not Shown)
17	56003491	2	Scr, Hex M10-1.50 x 40mm	52	56314294	1	Pin, Hitch Cotterless
18	56003492	1	Scr, Hex M6-1.0 x 95mm (qty of 2 on 32")	53	56407558	1	Washer, Bearing
19	56009019	2	Scr, Hex Thd Form 1/4-20 x .38	54	56314436	2	Strap
20	56009020	2	Stud	55	56314445	2	Idler End Assy (61-65)
21	56009062	4	Scr, Pan Phil Thd Form 1/4-20 x .50	56	56314648	1	Left Skirt Assy NOTE 2
22	56009086	4	Nut, Hex Jam 5/16-18	57	56314649	1	Right Skirt Assy NOTE 2
23	56152811	2	Collar	58	56397442	1	Hopper Weld't, 28"
24	56262549	1	Tee, Barb		56397443	1	Hopper Weld't, 32"
26	56330391	2	Wire Rope, 12 Inch	59	56407559	2	Drive End Assy (53, 66-72)
27	56393303	1	Lift Actuator, Brush (M1)	60	56412459	1	Wheel (qty of 2 on 32")
[]	56388520	1	Plastic Nut	61	56106070	1	Bearing, Ball
28	56401783	2	Leveler	62	56407303	1	Knob
29	56407391	2	Blade	63	56315447	1	Idler Bearing Plate
30	56407431	2	Motor, 36VDC, .75HP (M7 & M8)	64	56407551	1	Hub
[]	56407489	1	Armature	65	56407558	1	Washer, Bearing
[]	56407490	1	Bearing	66	56002119	2	Scr, Soc Set Loc 1/4-20 x .50
[]	56407492	1	Brush Cap Assy	67	56003237	1	Key, Sq. .19 x .62
[]	56407493	4	Carbon Brush Assy	68	56106070	2	Bearing, Ball
[]	56407494	4	Brush Cover Cap	69	56407389	1	Spacer
31	56407432	2	Idler, Belt	70	56407442	1	Sheave, Poly-V
32	56407433	2	Sheave, Poly-V	71	56315405	1	Bearing Plate
33	56407434	1	Guard, Right Belt	72	56109527	1	Spindle
34	56407435	1	Guard, Left Belt				

[] = Not Shown

NOTE: See "BRUSH SELECTOR GUIDE" at back of manual for available scrub brushes.

NOTE 2: See "SKIRT ASSEMBLIES-CYLINDRICAL".

FRONT



Scrub System-Cylindrical (35/38)

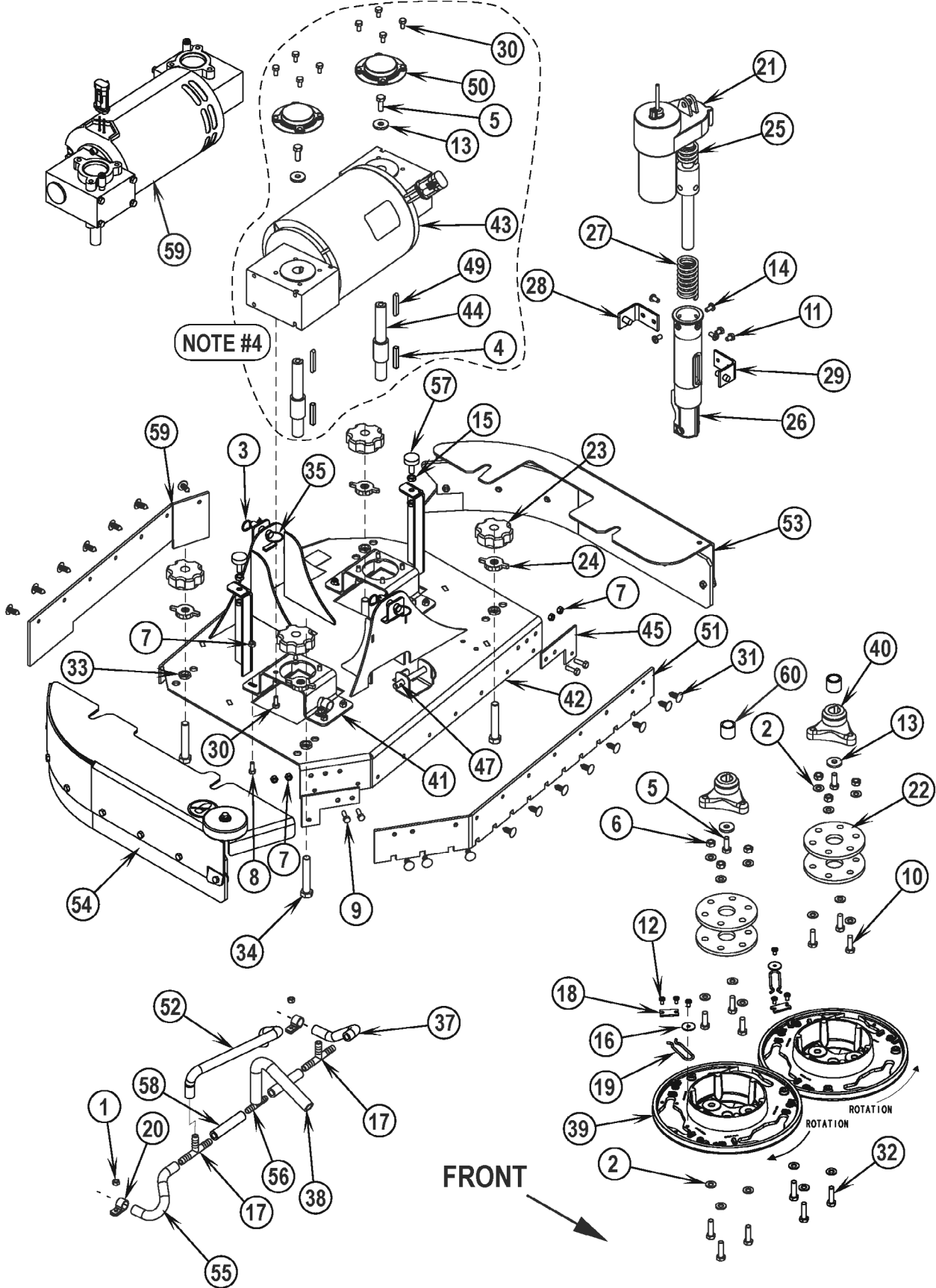
Item	Ref. No.	Qty	Description	Item	Ref. No.	Qty	Description
1	56002959	4	Pin, Cotter Hair	35	56112771	2	Clamp, Hose SAE #10
2	56003403	2	Nut, Hex Nyl Loc M6-1.00	36	56316551	2	Manifold, PVC 35
3	56003406	2	Nut, Hex Nyl Loc M10-1.50		56316550	2	Manifold, PVC 38
4	56009020	2	Stud	37	56002948	6	Scr, Hex Hd Loc 1/4-20 x .75
5	56152811	2	Collar	39	56003426	12	Nut, Hex Nyl Loc SS M6 x 1.0
6	56262549	1	Tee, Barb	40	56003430	4	Scr, Hex Hd SS 6-1.0 x 25mm
7	56330391	2	Wire Rope, 12 Inch	41	56003431	2	Scr, Hex Hd SS M6-1.0 x 16mm
8	56393303	1	Actuator, Motor (M1)	42	56003491	2	Scr, Hex M10-1.50 x 40mm
[]	56388520	1	Plastic Nut	43	56003492	2	Scr, Hex M6-1.0 x 95mm
9	56401783	2	Leveler	44	56003603	8	Scr, Pan Phil Thd Form 1/4-20 x .38
10	56407391	2	Blade	45	56003671	2	Pin, Ring .50 x 1.25
11	56407431	2	Motor, 36VDC, .75 HP (M7 & M8)	46	56009019	2	Scr, Hex Thd Form 1/4-20 x .38
[]	56407489	1	Armature	47	56009062	4	Scr, Pan Phil Thd Form 1/4-20 x .50
[]	56407490	1	Bearing	48	56009086	4	Nut, Hex Jam 5/16-18
[]	56407492	1	Brush Cap Assy	49	NA	1	Accessory Plate Data Plate
[]	56407493	4	Carbon Brush Assy	50	56314254	1	Harness, Brush Motor (Not Shown)
[]	56407494	4	Brush Cover Cap	51	56314294	1	Pin, Hitch Cotterless
12	56407432	2	Idler, Belt	52	56407558	1	Washer, Bearing
13	56407433	2	Sheave, Poly-V	53	56314436	2	Strap
14	56407434	1	Guard, Right Belt	54	56314445	2	Idler End Assy (64-68)
15	56407435	1	Guard, Left Belt	55	56314648	1	Left Skirt Assy NOTE 3
16	56407465	1	Belt, Poly V 180J6	56	56314649	1	Right Skirt Assy NOTE 3
17	56407466	1	Belt, Poly V 190J6	57	56316572	1	Housing Weld't 35"
18	56409462	1	Hose, Spiral		56316573	1	Housing Weld't 38"
19	56412071	1	Compression Spring	58	56314860	1	Kit, Deck Blade Cyl Linatex NOTE 2
20	56412176	2	Bushing		56314861	1	Kit, Deck Blade Cyl Neoprene NOTE 2
21	56412262	1	Housing, Spring	59	56314867	4	Strap
22	56420018	1	Compression Spring	60	56314870	1	Hopper Weld't-35
23	56420019	1	Nut Retainer		56314869	1	Hopper Weld't-38
24	56420020	1	Nut Retainer	61	56109527	1	Spindle
25	56469858	2	Standoff, Insulated	62	56407559	2	Drive End Assy (52, 61, 69-74)
26	56493357	2	Insulator, Terminal	63	56412459	2	Wheel
27	56001841	2	Scr, Soc Set Loc 1/4-20 x .25	64	56106070	1	Bearing, Ball
28	56001861	2	Scr, Hex Hd 1/4-20 x .38	65	56407303	1	Knob
29	56001879	2	Wsh, Flt SAE 1/2	66	56315447	1	Idler Bearing Plate
30	56002063	4	Wsh, Flt SAE 3/8	67	56407551	1	Hub
31	56002086	4	Scr, Soc Set Loc 5/16-18 x .25	68	56407558	1	Washer, Bearing
32	56002484	2	Scr, Hex Hd 1/2-13 x 4.50	69	56002119	2	Scr, Soc Set Loc 1/4-20 x .50
33	56002561	2	Nut, Hex W/ Shprf 1/4-20	70	56003237	1	Key, Sq. .19 x .62
34	56002843	4	Nut, Hex Nyl Loc-Thin 1/2-13	71	56106070	2	Bearing, Ball
				72	56407389	1	Spacer
				73	56407442	1	Sheave, Poly-V
				74	56315405	1	Bearing Plate

[] = Not Shown

NOTE 1: See "BRUSH SELECTOR GUIDE" at back of manual for available scrub brushes.

NOTE 2: Deck Blade Kits include two (item 58) Blades and two blades for use in Skirt Assemblies (items 55 & 56).

NOTE 3: See "SKIRT ASSEMBLIES-CYLINDRICAL".



Scrub System-Disk (28/32)

Item	Ref. No.	Qty	Description	Item	Ref. No.	Qty	Description
1	56002768	2	Nut, Hex Nyl Loc 10-24	44	56314218	2	Shaft, Hub Mount NOTE 4
2	56002938	18	Wsh, Flt SAE SS 5/16	45	56314261	2	Skirt Bracket, Forward (28")
3	56002959	4	Pin, Cotter Hair	46	56315705	2	Spacer NOTE 3
4	56003246	2	Key, Sq .25 x 1.62 NOTE 4	47	56314294	1	Pin, Hitch Cotterless
**	56315722	1	Kit, Gum Rubber NOTE 3	48	-		See Disk Deck Blade Kits below
**	56315721	1	Kit, Red Gum Rubber NOTE 3	49	56314359	2	Key, 6mm Sq NOTE 4
5	56003335	2	Scr Hex Loc SS 5/16-18 x .88 NOTE 3	50	56314499	2	Cover, Gearbox NOTE 4
6	56003405	6	Nut, Hex Nyl Loc SS M8 x 1.25	51	-		See Disk Deck Blade Kits below
7	56003426	12	Nut, Hex Nyl Loc SS M6 x 1.0	52	56412189	1	Hose, Spiral .375
8	56003431	8	Scr, Hex Hd SS M6-1.0 x 16mm	53	56314897	1	Skirt Assy Left 28" NOTE 6
9	56003443	4	Scr, Hex Hd SS M6-1.00 x 20mm (28")		56314898	1	Skirt Assy Left 32" NOTE 6
10	56003477	6	Scr, Hex Loc SS M8-1 x 25mm	54	56314896	1	Skirt Assy Right NOTE 6
11	56009019	2	Scr, Hex Thd Form 1/4-20 x .38	55	56392277	1	Tube, Solution
12	56009030	6	Scr, Pan Phil Thd Form 10-24 x .38	56	56397300	1	Tee, Barb
13	56009057	2	Wsh, Flt Harden .344 x 1.000x.120/.135 NOTE 3	57	56401783	2	Leg Leveler 5/16-18
14	56009062	4	Scr, Pan Phil Thd Form 1/4-20 x .50	58	56412187	2	Hose, Spiral,.375
15	56009086	4	Nut, Hex Jam 5/16-18	59	56315704	1	Gearbox Assy (32"/ M7) NOTE 3
16	56009096	2	Wsh, Flt .193 x .875 x .060	[]	56315711	2	Gearbox
17	56249280	2	Tee, Barb				
18	56366455	2	Plate, Stop				28" Disk Deck Blade Kit
19	56366463	2	Spring Retainer	**	56314913	1	Kit, Gum Rubber 28 Disk NOTE 2
20	56385564	2	Clamp, P	**	56314917	1	Kit, Linatex 28 Disk NOTE 2
21	56393303	1	Actuator, Motor (M1)	**	56315722	1	Kit, Gum Rubber NOTE 5
[]	56388520	1	Plastic Nut	**	56315721	1	Kit, Red Gum Rubber NOTE 5
22	56407053	4	Thermoid Disk	**	56315724	1	Kit, Gum Rubber NOTE 5
23	56407114	4	Knob	**	56315723	1	Kit, Red Gum Rubber NOTE 5
24	56407334	4	Knob				
25	56412071	1	Compression Spring				32" Disk Deck Blade Kit
26	56412262	1	Housing, Spring	**	56314914	1	Kit, Gum Rubber 32 Disk NOTE 2
27	56420018	1	Compression Spring	**	56314918	1	Kit, Linatex 32 Disk NOTE 2
28	56420019	1	Nut Retainer	**	56315722	1	Kit, Gum Rubber NOTE 5
29	56420020	1	Nut Retainer	**	56315721	1	Kit, Red Gum Rubber NOTE 5
30	56003211	16	Scr, Hex Hd SS M6-1.0 x 12mm NOTE 4	**	56315724	1	Kit, Gum Rubber NOTE 5
	56002885	6	Scr, Hex SS 3/8-16 x .75 NOTE 3	**	56315723	1	Kit, Red Gum Rubber NOTE 5
31	56003263	18	Rivet, Nylon Tree Push-In (.25)				
32	56003639	6	Scr, Hex Hd SS M8-1.25 x 30mm	[]			[] = Not Shown
33	56003657	4	Nut Hex Jam SS M12-1.75	**			** = Optional
34	56003658	4	Scr Hex Thd To Hd SS M12-1.75 x 70mm				
35	56003671	2	Pin, Ring .50 x 1.25				NOTE 1: See "BRUSH SELECTOR GUIDE" at back of manual for available scrub brushes.
37	56249682	1	Tube, Solution				NOTE 2: These Disk Deck Blade Kits include the mounting fasteners (Rivet, Nylon Tree Push-In 56003263 item 31), the two blades (items 51 & 59) and two blades for use in Skirt Assemblies (items 53 & 54).
38	56262180	1	Tube Spiral .375				NOTE 3: Only used on 32" models.
39	56314030	2	Brush Holder				NOTE 4: Used on all 28" models.
40	56314108	2	Hub, Drive				NOTE 5: These Disk Deck Blade Kits include just the blades for use in the two Skirt Assemblies.
41	56314053	2	Bracket, Motor NOTE 4				NOTE 6: See "SKIRT ASSEMBLIES-DISK (28", 32)".
	56315701	2	Bracket, Motor NOTE 3				
42	56314081	1	Weld't, Disk Deck 28"				
	56314090	1	Weld't, Disk Deck 32"				
43	56314141	1	Motor Gearbox Assy (28")				
	56314335	1	Motor Gearbox Assy (32") NOTE 4				
[]	56314359	2	Key, 6mm Square				
[]	56314499	2	Cover, Gearbox				
[]	56314560	2	Gearbox				
[]	56314580	1	Bearing (Fan End)				
[]	56412323	1	Bearing (Brush End)				
[]	56314582	1	Brush Ring				
[]	56314583	4	Carbon Brush				
[]	56314584	1	Safety Hook				

Scrub System-Disk (35/38)

Item	Ref. No.	Qty	Description	Item	Ref. No.	Qty	Description
1	56002959	2	Pin, Cotter Hair	43	56314359	3	Key, 6mm Sq
2	56366455	3	Plate, Stop	44	56314499	3	Cover, Gearbox
3	56393303	1	Actuator, Motor (M1)	45	56314683	1	Weldment, Deck
*	56388520	1	Plastic Nut	46	56314687	3	Shaft, Hub Mount
4	56407053	6	Thermoid Disk	47	-		See Disk Deck Blade Kits below
5	56407114	4	Knob	48	56314789	3	Motor Gearbox Assembly (M7, M8, M10)
6	56407334	4	Knob	[]	56314785	A/R	Gearbox, Replacement
7	56412071	1	Compression Spring	[]	56314784	A/R	Motor, Replacement
8	56412262	1	Housing, Spring	[]	56314786	A/R	Kit, Carbon Brush (1 kit per motor)
9	56420018	1	Compression Spring	49	56314790	1	Manifold, Solution
10	56420019	1	Nut Retainer	50	-		See Disk Deck Blade Kits below
11	56420020	1	Nut Retainer	51	56314820	1	Skirt Assembly Right NOTE 4
12	56002020	4	Scr, Pan Phil 10-24 x 1.75	52	56314821	1	Skirt Assembly Left NOTE 4
13	56002220	6	Wsh, Flt Std 5/16	53	56314868	3	Bracket, Motor
14	56002768	4	Nut, Hex Nyl Loc 10-24	54	56314902	2	Bracket, Motor Guard
15	56002938	18	Wsh, Flt SAE SS 5/16	55	56373456	1	Barb, Adapter 1/2 x 1/4NPT
16	56003211	24	Scr, Hex Hd SS M6-1.0 x 12mm	56	56385564	4	Clamp, P
17	56003246	3	Key, Sq .25 x 1.62	57	56397081	3	Spring Retainer
18	56003263	21	Rivet, Nylon Tree Push-In (.25)	58	56401783	2	Leg Leveler 5/16-18
19	56003335	6	Scr Hex Loc SS 5/16-18 x .88	59	56409462	1	Hose, Spiral .500
20	56003405	9	Nut, Hex Nyl Loc SS M8 x 1.25	60	56478246	3	Tie, Cable
21	56003426	13	Nut, Hex Nyl Loc SS M6 x 1.0				35" Disk Deck Blade Kit
22	56003431	9	Scr, Hex Hd SS M6-1.0 x 16mm	**	56314847	1	Kit, Neoprene 35 Disk NOTE 2
23	56003443	4	Scr, Pan Phil M6-1.00 x 20mm (38")	**	56314846	1	Kit, Linatex 35 Disk NOTE 2
24	56003477	9	Scr, Hex Loc SS M8-1 x 25mm	**	56315720	1	Kit, Red Gum Rubber NOTE 3
25	56003639	9	Scr, Hex Hd SS M8-1.25 x 30mm				38" Disk Deck Blade Kits
26	56003657	4	Nut Hex Jam SS M12-1.75	**	56314849	1	Kit, Neoprene 38 Disk NOTE 2
27	56003658	4	Scr Hex Thd To Hd SS M12-1.75 x 70mm	**	56314848	1	Kit, Linatex 38 Disk NOTE 2
28	56003671	2	Pin, Ring .50 x 1.25	**	56315720	1	Kit, Red Gum Rubber NOTE 3
29	56009019	2	Scr, Hex Thd Form 1/4-20 x .38				
30	56009030	13	Scr, Pan Phil Thd Form 10-24 x .38				
31	56009062	4	Scr, Pan Phil Thd Form 1/4-20 x .50	[] = Not Shown			
32	56009086	4	Nut, Hex Jam 5/16-18	** = Optional			
33	56009096	3	Wsh, Flt .193 x .875 x .060				
34	56391771	3	Hose, Spiral .375				
35	56261421	1	Plug, Hex Pipe				
36	56302015	1	Hose, Spiral .375				
37	56304601	2	Plate				
38	56314030	3	Brush Holder				
39	56314108	3	Hub, Drive				
40	56314261	2	Skirt Bracket, Forward (38")				
41	56314294	1	Pin, Hitch Cotterless				
42	56900034	4	Barb, Adapter 3/8 X 1/4NPT				

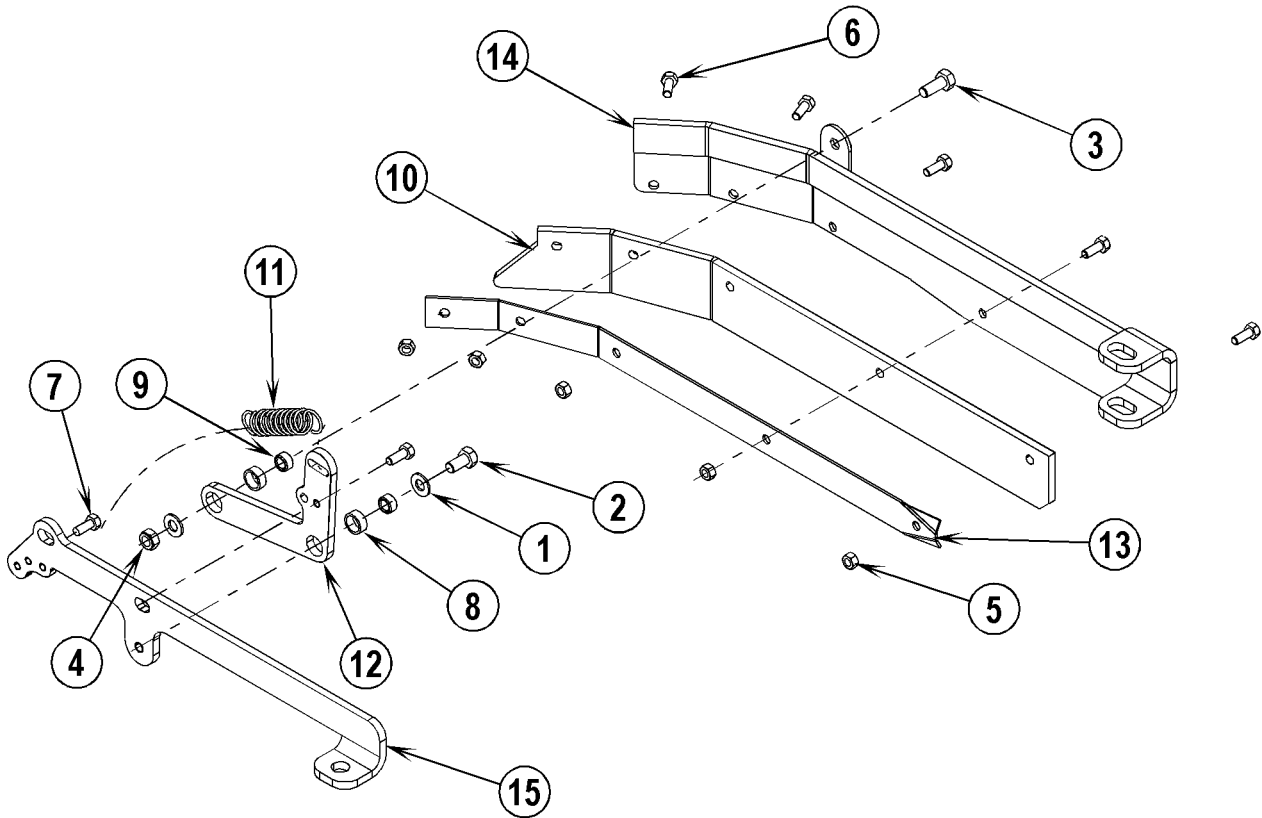
NOTE 1: See "BRUSH SELECTOR GUIDE" at back of manual for available scrub brushes.

NOTE 2: These Disk Deck Blade Kits include the mounting fasteners (Rivet, Nylon Tree Push-In 56003263 item 18), the two blades (items 47 & 50) and two blades for use in Skirt Assemblies (items 51 & 52).

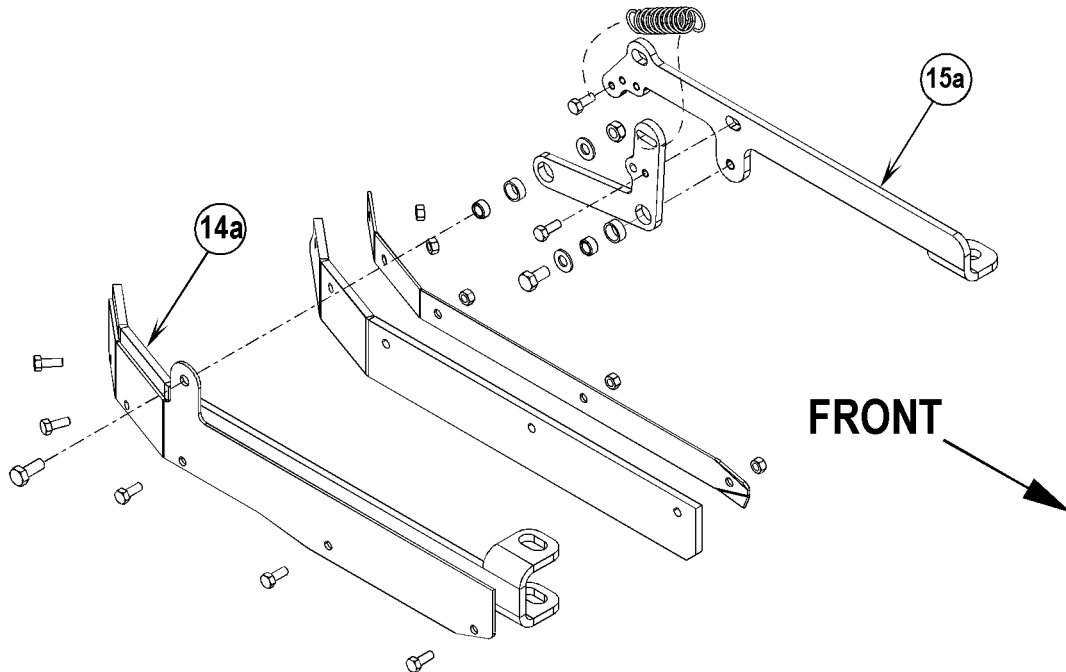
NOTE 3: These Disk Deck Blade Kits include just the blades for use in the two Skirt Assemblies.

NOTE 4: See "SKIRT ASSEMBLIES-DISK (35", 38)".

56314648-LEFT SKIRT ASSEMBLY



56314649-RIGHT SKIRT ASSEMBLY



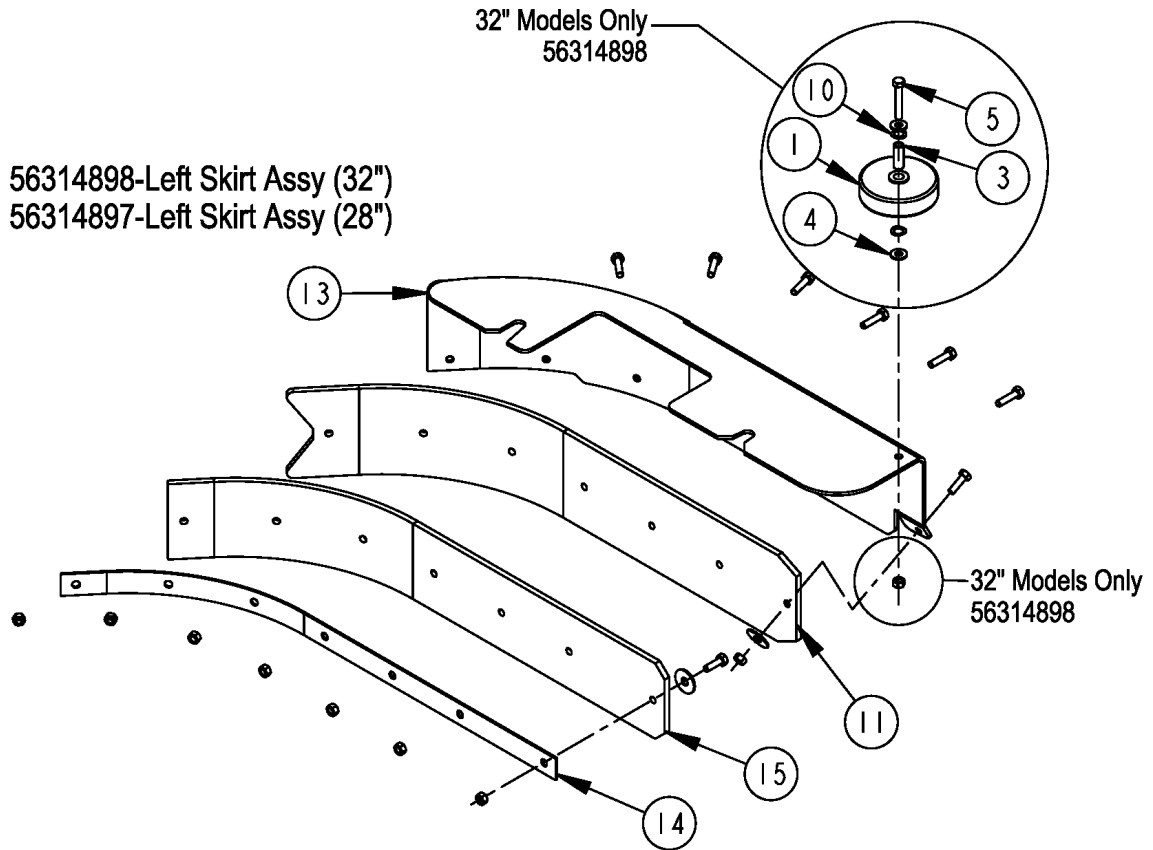
Skirt Assy Cyl-All Models

Item	Ref. No.	Qty	Description
	56314648	1	Left Skirt Assembly
	56314649	1	Right Skirt Assembly
1	56001939	2	Wsh, Flt SAE 5/16
2	56003178	1	Scr, Hex M8-1.25 x 16mm
3	56003179	1	Scr, Hex Thd To Hd M8-1.25 x 20mm
4	56003389	1	Nut, Hex Nyl Loc M8-1.25
5	56003426	5	Nut, Hex Nyl Loc SS M6-1.00
6	56003431	6	Scr, Hex Hd SS M6-1.00 x 16mm
7	56003441	1	Scr, Hex Nyl Loc M6-1.00 x 15mm
8	56185263	2	Bearing, Sleeve
9	56320595	2	Bushing, .32 x .50 x .28
10	56410335	1	Skirt, Linatex
**	56407447	1	Skirt, Gum Rubber
**	56407392	1	Skirt, Neoprene
**	56314860	1	Kit, Deck Blade Cyl Linatex NOTE 2
**	56314861	1	Kit, Deck Blade Cyl Neoprene NOTE 2
11	56470672	1	Spring, Extension
12	56314435	1	Arm, Mount
13	56314437	1	Retainer, Skirt
14	56314439	1	Skirt Bracket Weld't, Left
14a	56314438	1	Skirt Bracket Weld't, Right
15	56314440	1	Bracket, Mount, Left
15a	56314441	1	Bracket, Mount, Right

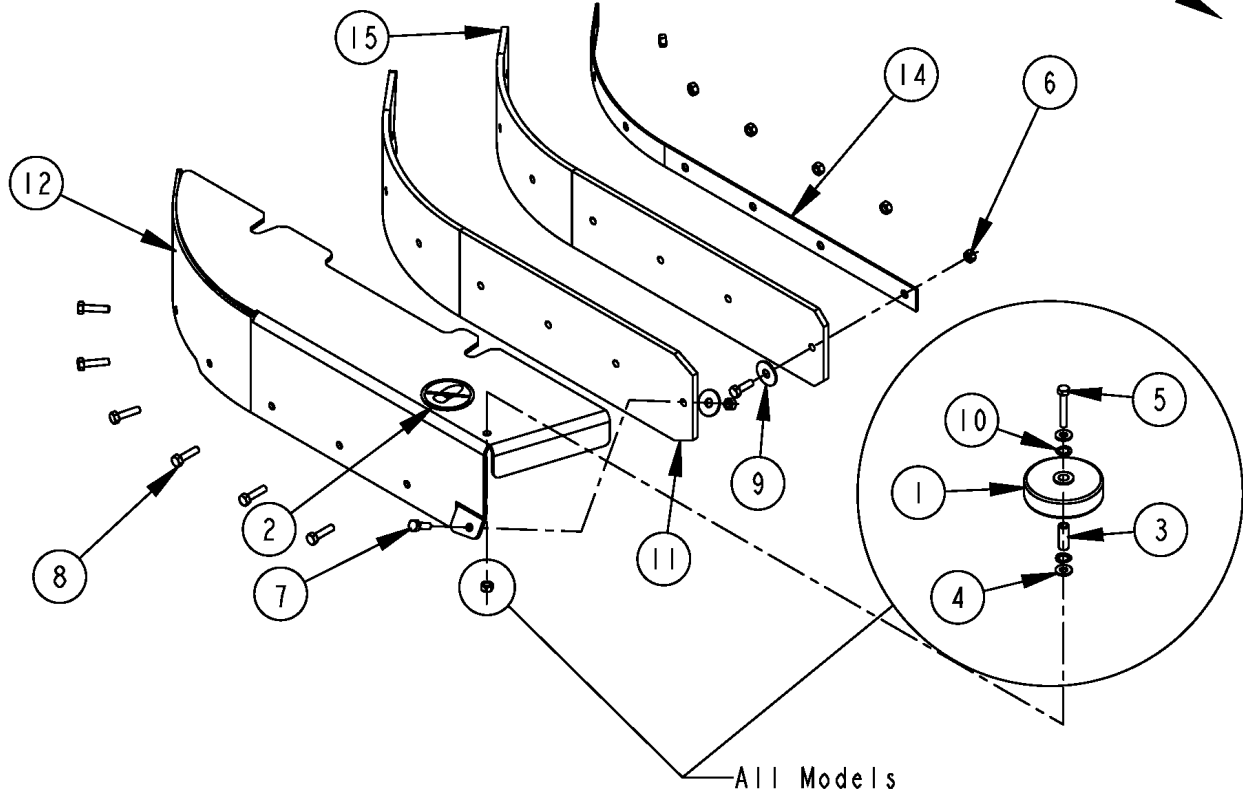
** = Optional

NOTE: All quantities are for one skirt assembly only, there are two skirt assemblies on the machine.

NOTE 2: For use on 35" and 38" decks. Deck Blade Kits include two (item 10) Blades and two Deck Blades (item 58) in "Scrub System-Cylindrical (35", 38)".



56314896-Left Skirt Assy (28", 32")



Skirt Assy-Disk (28/32)

Item	Ref. No.	Qty	Description
	56314898	1	Skirt Assembly Left Linatex (32")
	56314897	1	Skirt Assembly Left Linatex (28")
	56314896	1	Skirt Assembly Right Linatex (28" / 32")
1	56324499	1	Wheel 3.00 NOTE 1
2	56016163	1	Decal, No Step (Right Skirt Assembly only)
3	56471220	1	Bushing NOTE 1
4	56002098	2	Wsh, Flt SAE 1/4 NOTE 1
5	56003167	1	Scr,Hex M6-1.0x40mm NOTE 1
6	56003426	9	Nut, Hex Nyl Loc SS M6 x 1.0 (qty of 8 on 56314897)
7	56003454	2	Scr Hex Thd To Hd SS M6-1.0 x 20mm
8	56003693	6	Scr Hex Thd To Hd SS M6-1.0 x 25mm
9	56003696	2	Wsh, Flt SS .33 x 1.00 x .060
10	56009045	2	Wsh, Bowed .375 x .578 x .060 NOTE 1
11	-		See Disk Deck Blade Kits below
12	56314888	1	Frame, Skirt RH
13	56314889	1	Frame, Skirt LH
14	56314891	1	Retainer, Blade
15	-		See Disk Deck Blade Kits below
			28" Disk Deck Blade Kits
**	56314913	1	Kit, Gum Rubber 28 Disk NOTE 3
**	56314917	1	Kit, Linatex 28 Disk NOTE 3
**	56315722	1	Kit, Gum Rubber NOTE 4
**	56315721	1	Kit, Red Gum Rubber NOTE 4
			32" Disk Deck Blade Kits
**	56314914	1	Kit, Gum Rubber 32 Disk NOTE 3
**	56314918	1	Kit, Linatex 32 Disk NOTE 3
**	56315722	1	Kit, Gum Rubber NOTE 4
**	56315721	1	Kit, Red Gum Rubber NOTE 4

** = Optional

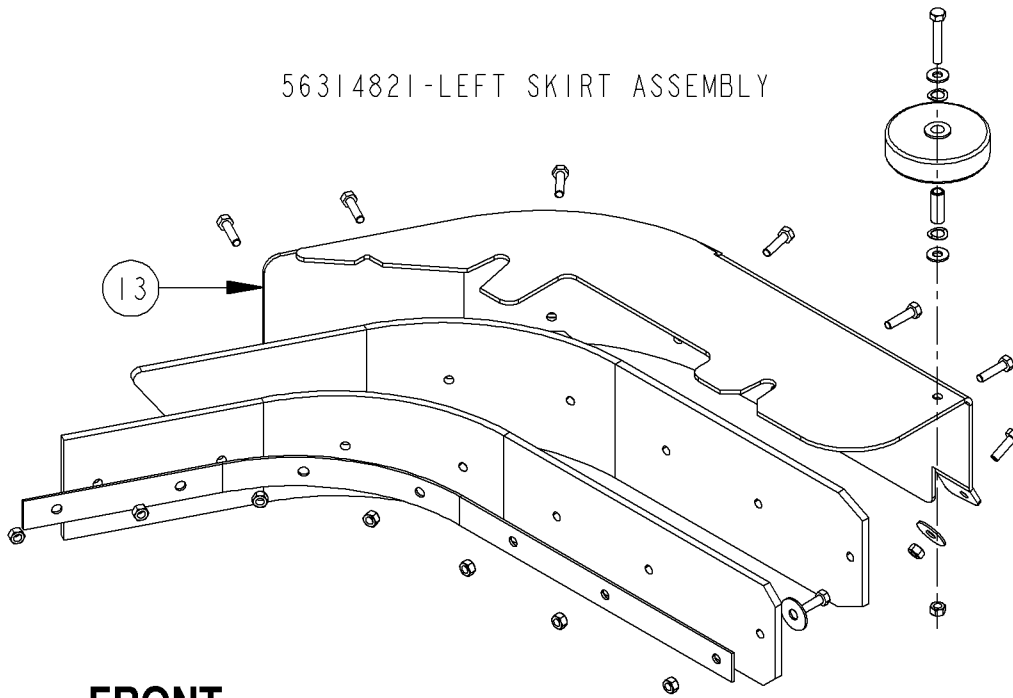
NOTE 1: These items are on the Right Skirt Assembly **PN 56314896** on all models, but only on the 32" Left Skirt Assembly **PN56314898**.

NOTE 2: All quantities are for one skirt assembly only, there are two skirt assemblies on the machine.

NOTE 3: These Disk Deck Blade Kits include the mounting fasteners (Rivet, Nylon Tree Push-In 56003263), four skirt blades (items 11 & 15) and the two deck blades (front and rear).

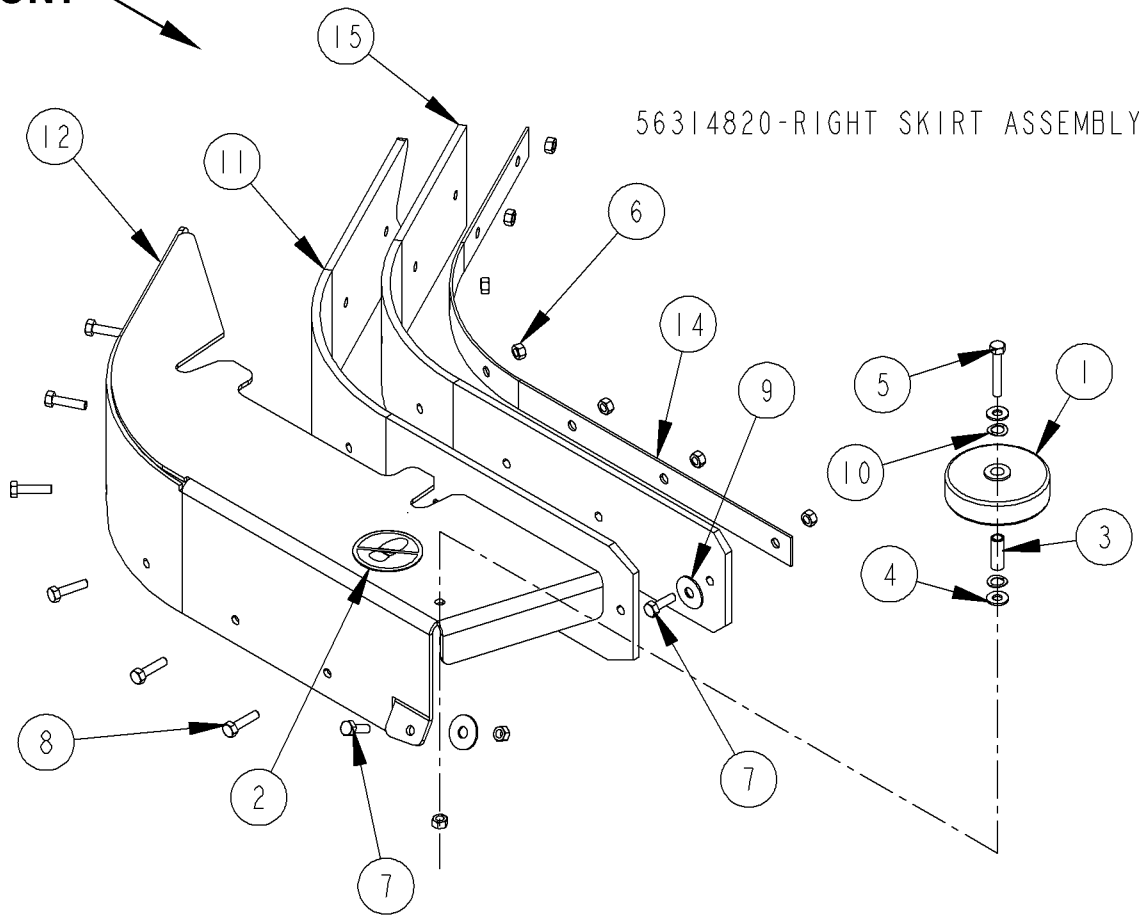
NOTE 4: These Disk Deck Blade Kits include just the blades for use in the two Skirt Assemblies.

56314821-LEFT SKIRT ASSEMBLY



FRONT

56314820-RIGHT SKIRT ASSEMBLY



Skirt Assy-Disk (35/38)

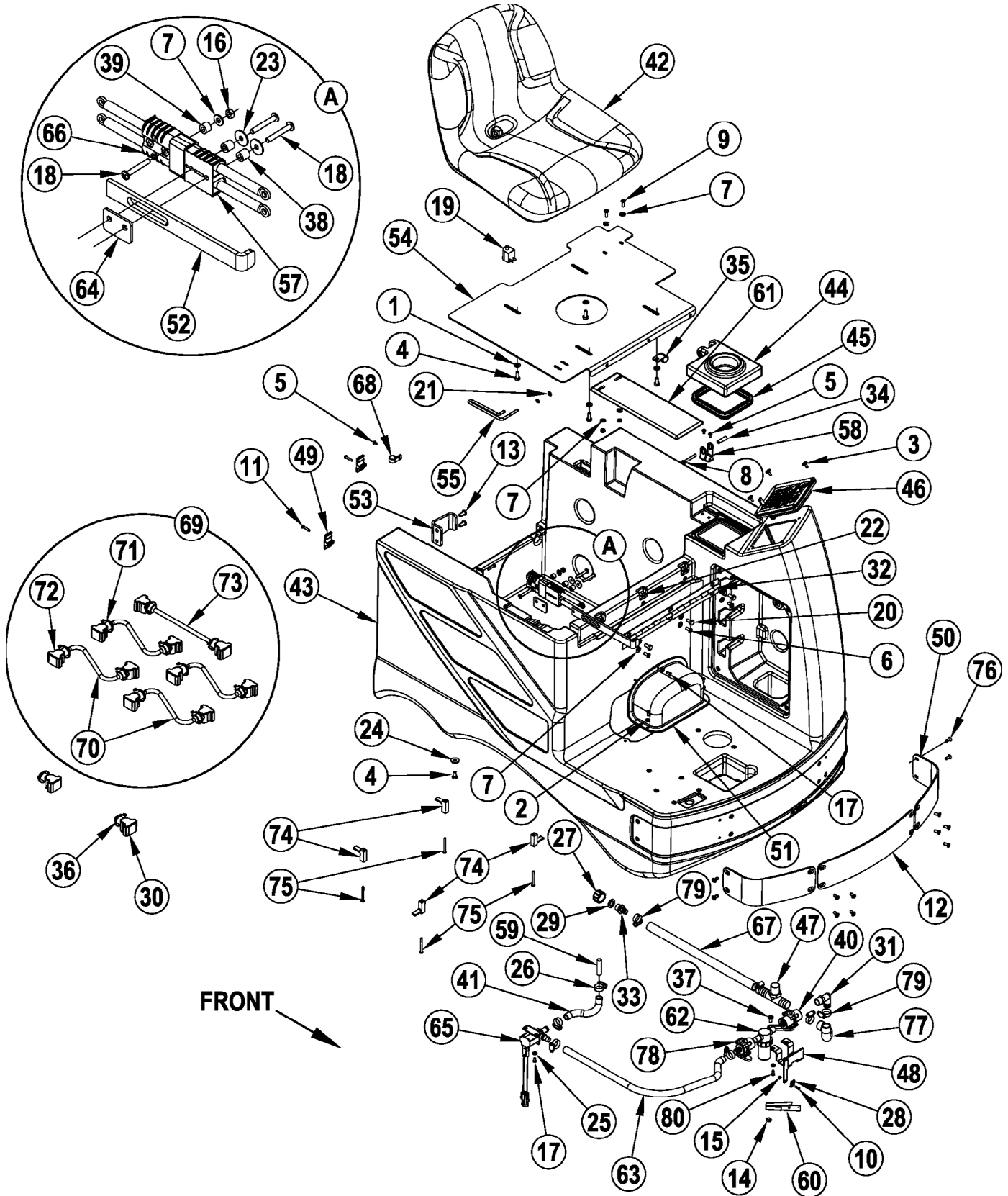
Item	Ref. No.	Qty	Description
	56314821	1	Skirt Assembly Left
	56314820	1	Skirt Assembly Right
1	56324499	1	Wheel 3.00
2	56016163	1	Decal, No Step (Right Skirt Assembly only)
3	56471220	1	Bushing
4	56002098	2	Wsh, Flt SAE 1/4
5	56003167	1	Scr, Hex M6-1.0 x 40mm
6	56003426	9	Nut, Hex Nyl Loc SS M6 x 1.0
7	56003454	2	Scr Hex Thd To Hd SS M6-1.0 x 20mm
8	56003693	6	Scr Hex Thd To Hd SS M6-1.0 x 25mm
9	56003696	2	Wsh, Flt SS .33 x 1.00 x .060
10	56009045	2	Wsh, Bowed .375 x .578 x .060
11	-		See Disk Deck Blade Kits below
12	56314871	1	Frame, Skirt RH
13	56314872	1	Frame, Skirt LH
14	56314873	1	Retainer, Blade
15	-		See Disk Deck Blade Kits below
			35" Disk Deck Blade Kit
**	56314847	1	Kit, Neoprene 35 Disk NOTE 1
**	56314846	1	Kit, Linatex 35 Disk NOTE 1
**	56315720	1	Kit, Red Gum Rubber NOTE 3
			38" Disk Deck Blade Kits
**	56314849	1	Kit, Neoprene 38 Disk NOTE 1
**	56314848	1	Kit, Linatex 38 Disk NOTE 1
**	56315720	1	Kit, Red Gum Rubber NOTE 3

** = Optional

NOTE 1: These Disk Deck Blade Kits include the mounting fasteners (Rivet, Nylon Tree Push-In 56003263), four skirt blades (items 11 & 15) and the two deck blades (front & rear).

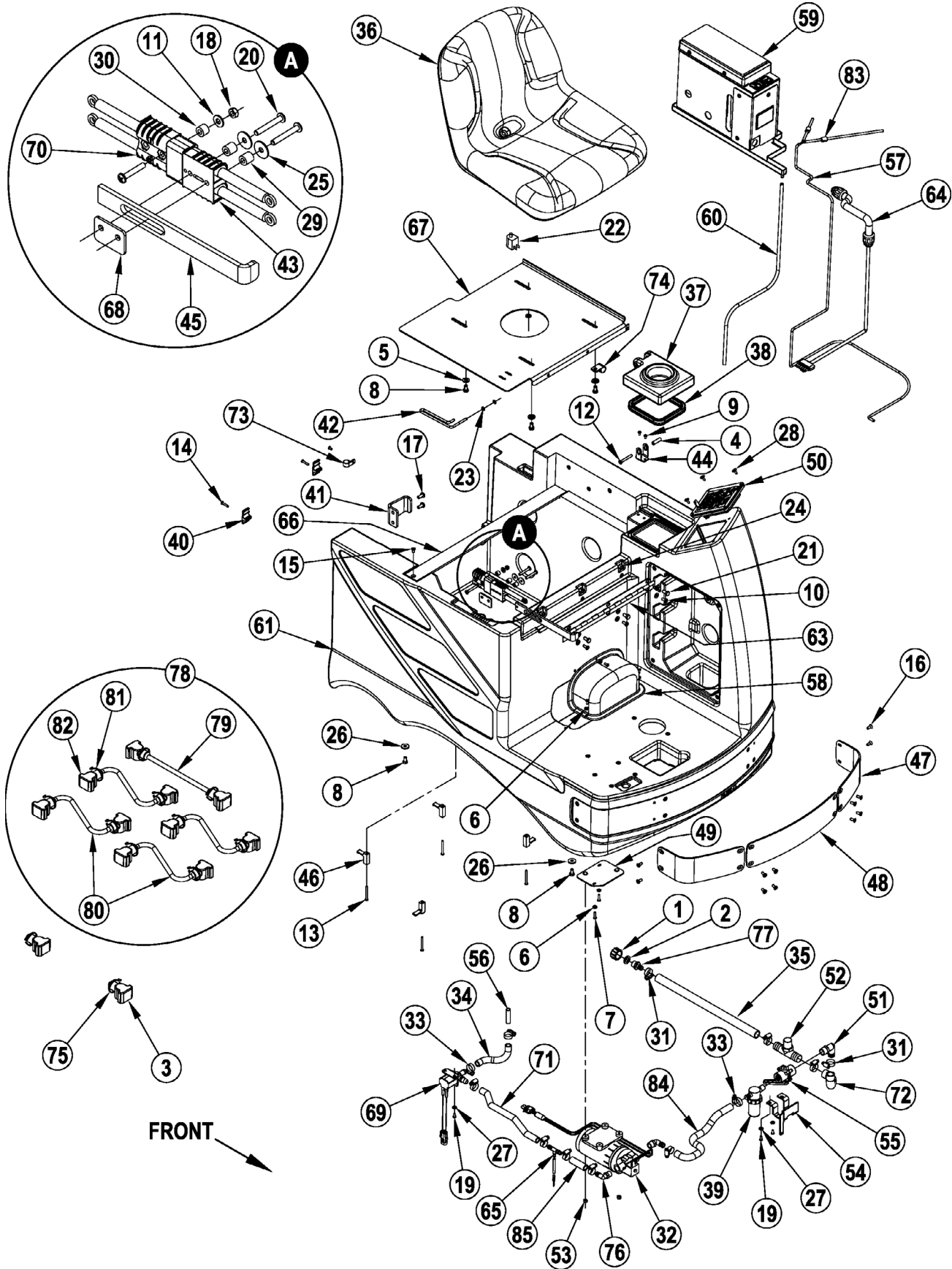
NOTE 2: All quantities are for one skirt assembly only, there are two skirt assemblies on the machine.

NOTE 3: These Disk Deck Blade Kits include just the blades for use in the two Skirt Assemblies.



Solution System Std

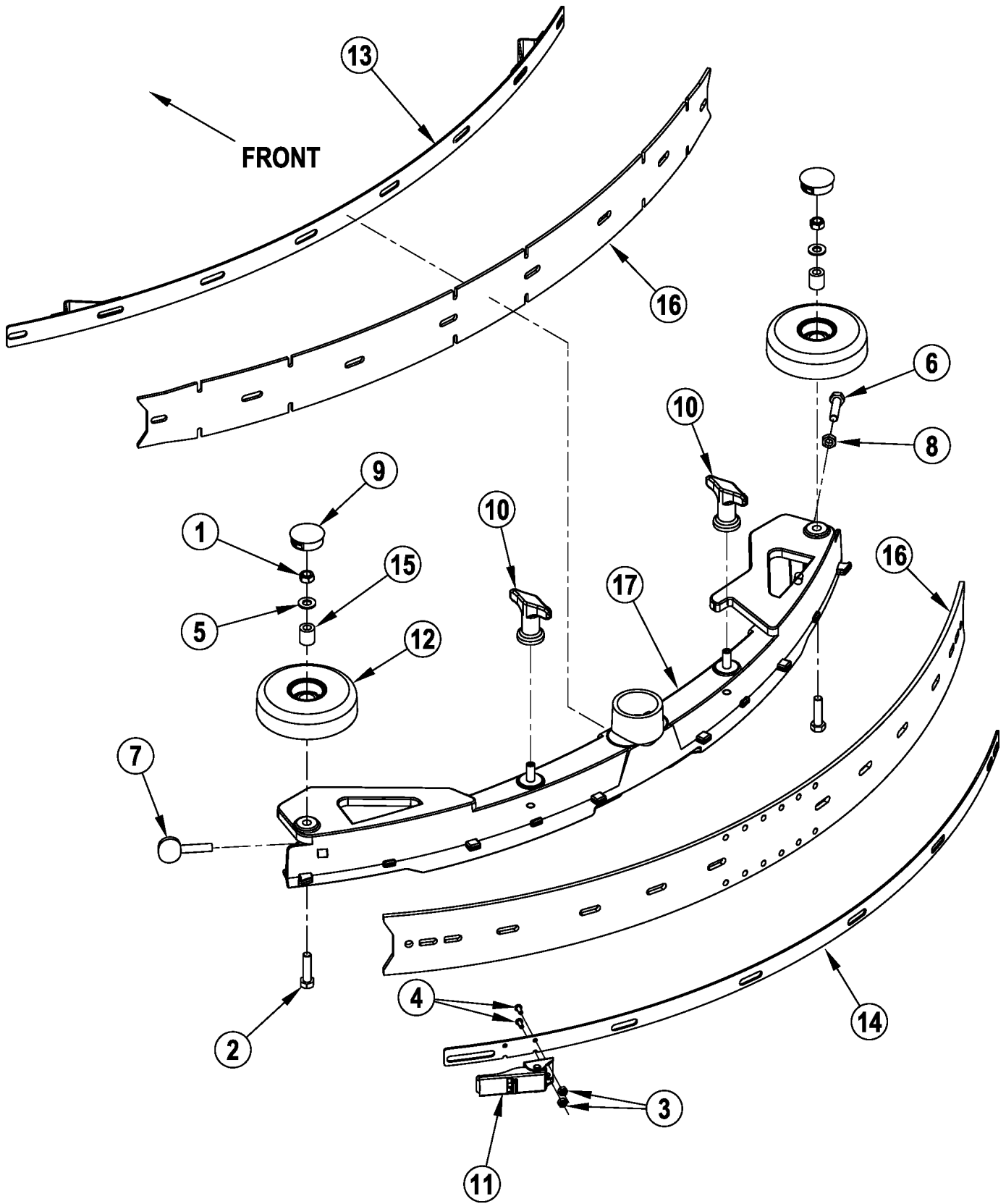
Item	Ref. No.	Qty	Description	Item	Ref. No.	Qty	Description
1	56001939	4	Wsh, Flt SAE 5/16	46	56390867	1	Control Panel Assembly
2	56001954	3	Wsh, Flt SAE #10	[]	56314713	1	Membrane Switch Assy TSBUS2006-932
3	56009206	4	Scr, Truss Phil-Blk 10-24 x .50	[]	56396188	1	Switch, Key
4	56002035	8	Scr, Hex Hd 5/16-18 x .62	[]	56396189	1	Key, Spare
5	56002043	3	Scr, Pan Phil 10-24 x .38	47	56314758	1	Tee
6	56002066	3	Scr, Pan Phil 1/4-20 x .62	48	56314881	1	Bracket, Water Valve
7	56002098	11	Wsh, Flt SAE 1/4	49	56314155	5	Clamp, Cable
8	56002108	1	Scr, Pan Phil 1/4-20 x 2.00	50	56314638	2	Bumper, Front
9	56002507	2	Scr, Pan Phil 1/4-20 x .75	51	56314975	1	Cover, Actuator Closed
10	56002589	1	Scr, Hex Hd 6-32 x .50	52	56314292	1	Bar, Disconnect
11	56002674	5	Scr, Pan Phil 10-24 x 1.00	53	56316526	1	Tank Mount Bracket
12	56314642	1	Bumper, Front Middle	54	56314988	1	Weld't, Seat Mount
13	56002793	2	Scr, Pan Phil 5/16-18 x .75	55	56314223	1	Prop Rod
14	56002826	1	Nut, Hex Nyl Loc-Thin 5/16-18	56	56390854	1	Harness, Main (Not Shown)
15	56002830	1	Nut, Hex Nyl Loc 6-32	57	56314253	1	Charge Connector Assy
16	56002840	3	Nut, Hex Nyl Loc-Thin 1/4-20	58	56314264	1	Hinge Bracket
17	56002900	5	Scr, Pan Phil SS 10-24 x .50	59	56314904	1	Tube
18	56002997	3	Scr, Pan Phil 1/4-20 x 1.75	60	56314882	1	Bracket, Valve
19	7-82-00050	1	Switch (S2)	61	56314532	1	Panel, Battery Box
20	56003178	3	Scr, Hex M8-1.25 x 16mm	62	56314756	1	Strainer
21	56003268	2	Ring, Ret Ext Type E Reinf. .25 Dia.	63	56386182	1	Hose, Spiral .50ID x 26.00
22	56003389	3	Nut, Hex Nyl Loc M8-1.25	64	56397189	1	Spacer
23	56009002	2	Wsh, Flt .266 x .906 x .060	65	56397215	1	Solenoid Valve Assy, 36V (L1)
24	56009122	4	Wsh, Flt .344 x .938 x .125	66	56397508	1	Charge Connector Assy
25	56009205	4	Wsh, Flt SS #10	67	56263218	1	Hose, .75 Clear PVC
26	56219932	4	Clamp, Hose SAE #6	68	56442003	1	Clamp, P
27	56255076	1	Cap, Pipe GHT Nylon	69	56314339	1	Kit, Battery Connector (includes items 70-73)
28	56344265	1	Clamp, Cable				NOTE 1
29	56368776	1	Washer, Rubber	70	56456460	4	Cable, Battery
30	56372673	2	Boot, Battery Post	71	56478246	10	Tie, Cable
31	56314757	1	Barb, 90 Elbow, 3/4 x 1/2NPT	72	56372673	10	Boot, Battery Post
32	56314973	1	Hinge	73	56441600	1	Cable, Battery
33	56900273	1	Barb	*	56314119	1	Battery Spacer
34	56468553	1	Bushing, .27 x .37 x 1.30	74	56314608	4	Clamp, Cable
35	56469380	1	Clamp, P	75	56002171	4	Scr, Pan Phil 10-24 x 2.00
36	56478246	2	Tie, Cable	76	56002760	12	Scr, Flt Phil 1/4-20 x .62
37	56003003	1	Scr, Pan Phil 5/16-18 x .62	77	56410162	1	Hose, Spiral .75 x 7.00
38	56046309	2	Spacer, Phenolic	78	56314755	1	Valve, Solution
39	56050872	1	Spacer, Phenolic	79	56112771	4	Clamp, Hose SAE #10
40	56314899	1	Valve, Solution	80	56001993	2	Scr, Pan Phil 10-24 x .50
41	56262180	1	Hose, Spiral .50ID x 7.00				
42	8-69-00022	1	Seat				[] = Not Shown
43	56390853	1	Solution Tank				
44	56314066	1	Cover, Solution Tank, Assy				NOTE 1: Battery Connector Kit (56314339) is included with machine.
45	56314069	1	Gasket				



Solution System AXP

Item	Ref. No.	Qty	Description	Item	Ref. No.	Qty	Description
1	56255076	1	Cap, Pipe GHT Nylon	46	56314608	4	Clamp, Cable
2	56368776	1	Washer, Rubber	47	56314638	2	Bumper, Front
3	56372673	2	Boot, Battery Post	48	56314642	1	Bumper, Front Middle
4	56468553	1	Bushing, .27 x .37 x 1.3	49	56314644	1	Weldment, Adapter Plate
5	56001939	4	Wsh, Flt SAE 5/16	50	56390867	1	Control Panel Assy. Scrubber
6	56001954	5	Wsh, Flt SAE #10	[]	56314713	1	Membrane Switch Assy TSBUS2006-932
7	56002733	2	Scr, Pan Phil 10-24 x .88	[]	56396188	1	Switch, Key
8	56002035	8	Scr, Hex 5/16-18 x .62	[]	56396189	1	Key, Spare
9	56002043	3	Scr, Pan Phil 10-24 x .38	51	56314757	1	Barb, 90 Elbow 3/4 x 1/2NPT
10	56002066	3	Scr, Pan Phil 1/4-20 x .62	52	56314758	1	Tee, Barb
11	56002098	7	Wsh, Flt SAE 1/4	53	56002768	2	Nut, Hex Nyl Loc 10-24
12	56002108	1	Scr, Pan Phil 1/4-20 x 2.00	[]	56314787	1	Harness, Cable
13	56002171	4	Scr, Pan Phil 10-24 x 2.00	54	56314881	1	Bracket, Valve
14	56002674	5	Scr, Pan Phil 10-24 x 1.00	55	56314899	1	Valve, Solution
15	56002755	1	Scr, Flt Phil 1/4-20 x .50	56	56314904	1	Tube
16	56002760	12	Scr, Flt Phil 1/4-20 x .62	57	56314863	1	Hose, Chem Resistant
17	56002793	2	Scr, Pan Phil 5/16-18 x .75	58	56314960	1	Cover, Actuator
18	56002840	1	Nut, Hex Nyl Loc-Thin 1/4-20	59	56316537	1	Assy, Detergent Inject.
19	56002900	7	Scr, Pan Phil SS 10-24 x .50				(See Detergent Injection System)
20	56002997	3	Scr, Pan Phil 1/4-20 x 1.75	60	56314965	1	Hose, PVC 1/4 x 3/8
21	56003178	3	Scr, Hex M8-1.25 x 16mm	61	56390853	1	Solution Tank
22	7-82-00050	1	Switch (S2)	62	56390854	1	Harness, Main (Not Shown)
23	56003268	2	Ring, Ret Ext Type E Reinf. 0.25 Dia	63	56314973	1	Hinge
24	56003389	3	Nut, Hex Nyl Loc M8-1.25	64	56314980	1	Harness, Detergent System
25	56009002	2	Wsh, Flt .266 x .906 x .060	65	56314983	1	Tee Assembly
26	56009122	4	Wsh, Flt .344 x .938 x .125	66	56314985	1	Bracket, Seat
27	56009205	4	Wsh, Flt SS .219 x .500 x .047/.062	67	56314986	1	Weld't, Seat Mount
28	56009206	4	Scr, Truss Phil-Blk 10-24 x .50	68	56397189	1	Spacer
29	56046309	2	Spacer, Phenolic	69	56397215	1	Solenoid Valve Assy. 36V
30	56050872	1	Spacer, Phenolic	70	56397508	1	Charge Connector Assy
31	56112771	4	Clamp, Hose SAE #10	71	56266108	1	Hose, Spiral .50 ID x 12
32	56212014	1	Pump, 36VDC	72	56410162	1	Hose, Spiral .75 ID x 7.00
[]	56109587	1	Pump Head Assy	73	56442003	1	Clamp, P
[]	56109588	1	Check Valve Assy	74	56469380	1	Clamp, P
33	56219932	8	Clamp, Hose SAE #6	75	56478246	2	Tie, Cable
34	56262180	1	Hose, Spiral .50 ID x 7.00	76	56900069	2	Barb, 90 Elbow 1/2 x 3/8 NPT
35	56263218	1	Hose, .75 Clear PVC	77	56900273	1	Barb
36	8-69-00022	1	Seat	78	56314339	1	Kit, Battery Connector (items 79-82)
37	56314066	1	Cover, Solution Tank, Assy	79	56441600	1	Cable, Battery
38	56314069	1	Gasket	80	56456460	4	Cable, Battery
39	56314147	1	Strainer	81	56478246	10	Tie, Cable
40	56314155	5	Clamp, Cable	82	56372673	10	Boot, Battery Post
41	56316526	1	Tank Mount Bracket	[]	56314119	1	Spacer, Battery
42	56314223	1	Prop Rod	83	56316209	1	Check Valve Assy
43	56314253	1	Charge Connector Assy	84	56264318	1	Hose, Spiral .50
44	56314264	1	Hinge Bracket	85	56111385	1	Hose, Spiral .50
45	56314292	1	Bar, Disconnect				

[] = Not Shown



Squeegee Assy

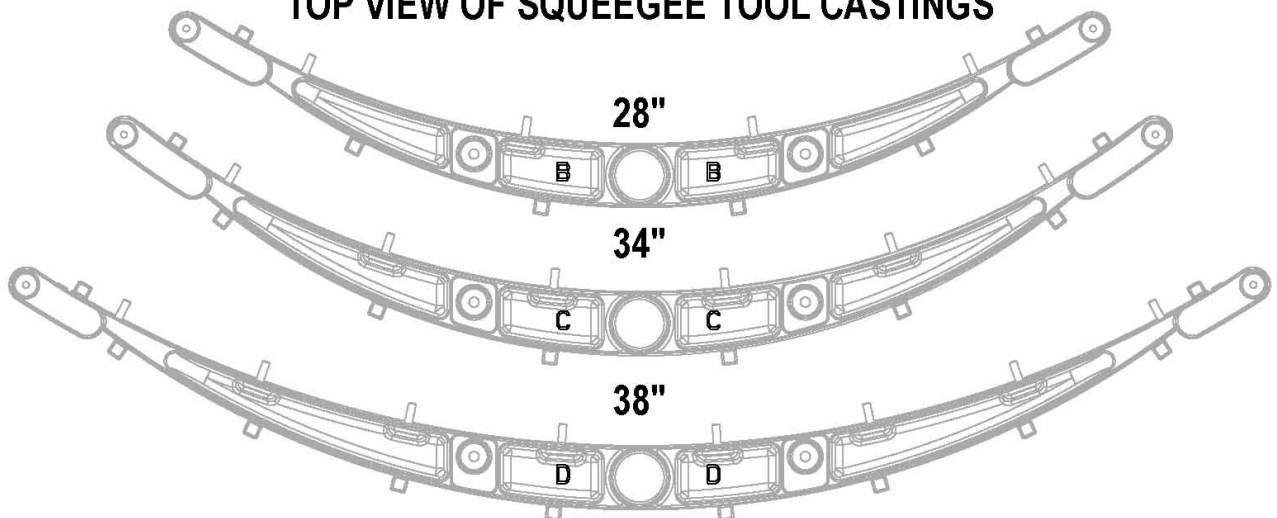
Item	Ref. No.	Qty	Description
	56390865	1	Squeegee Assy-B (28")
	56390866	1	Squeegee Assy-C (34")
	56390830	1	Squeegee Assy-D (38")
1	56002851	2	Nut, Hex Nyl Loc-Thin Ss 5/16-18
2	56002884	2	Scr- Hex Ss 5/16-18 X 1.25
3	56002907	2	Nut, Hex Nyl Loc Ss 6-32
4	56002909	2	Scr, Pan Phil Ss 6-32 X .38
5	56002938	2	Wsh, Flt Sae Ss 5/16
6	56003302	1	Scr, Hex Thd To Hd Ss 5/16-18 X 1.25
7	56003792	1	Scr, Thumb Ss 5/16-18 X 1.25
8	56009141	1	Nut, Hex Jam Ss 5/16-18
9	56111444	2	Button Plug-1.25
10	56370711	2	Nut, Thumb
11	56471194	1	Latch Assembly
12	56601450	2	Wheel, 4.00 Od
13	56601489	1	Front Strap Weldment-B (28")
	56601495	1	Front Strap Weldment-C (34")
	56390824	1	Front Strap Weldment-D (38")
14	56601490	1	Strap, Rear-B (28")
	56601496	1	Strap, Rear-C (34")
	56390826	1	Strap, Rear-D (38")
15	56601499	2	Bushing, Nylon
16	56601083	1	Blade Kit, Squeegee Red Gum-B (28") NOTE 1
	56601672	1	Blade Kit, Squeegee Red Gum-C (34") NOTE 1
	56390757	1	Blade Kit, Squeegee Red Gum-D (34") NOTE 1
17	56601702	1	Squeegee Casting-B (28")
	56601703	1	Squeegee Casting-C (34")
	56390841	1	Squeegee Casting-D (38")

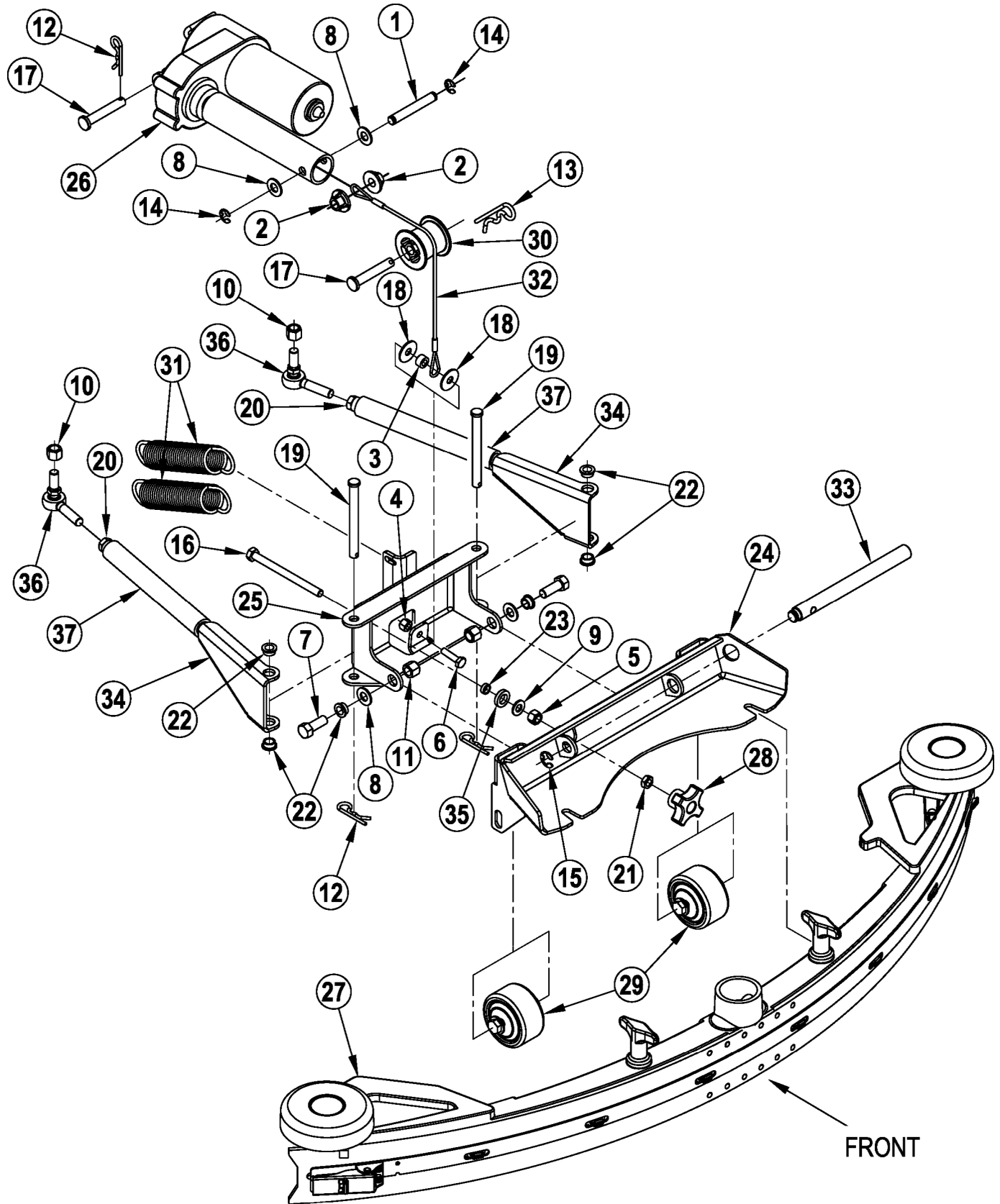
Item	Ref. No.	Qty	Description – Squeegee Assy
			28" Squeegee Blade Kits
**	56601531	1	Blade Kit, Squeegee Gum 28 NOTE 1
**	56601083	1	Blade Kit, Squeegee Red Gum NOTE 1
**	56601529	1	Blade Kit, Squeegee PU 28 NOTE 1
			34" Squeegee Blade Kits
**	56601532	1	Blade Kit, Squeegee Gum 34 NOTE 1
**	56601094	1	Blade Kit, Squeegee Red Gum NOTE 1
**	56601530	1	Blade Kit, Squeegee PU 34 NOTE 1
			38" Squeegee Blade Kits
**	56390756	1	Blade Kit, Squeegee Gum 38 NOTE 1
**	56390757	1	Blade Kit, Squeegee Red Gum 38 NOTE 1
**	56390758	1	Blade Kit, Squeegee PU 38 NOTE 1

NOTE 1: Squeegee Blade Kits include both front & rear squeegee blades.

** = Optional, Not Included

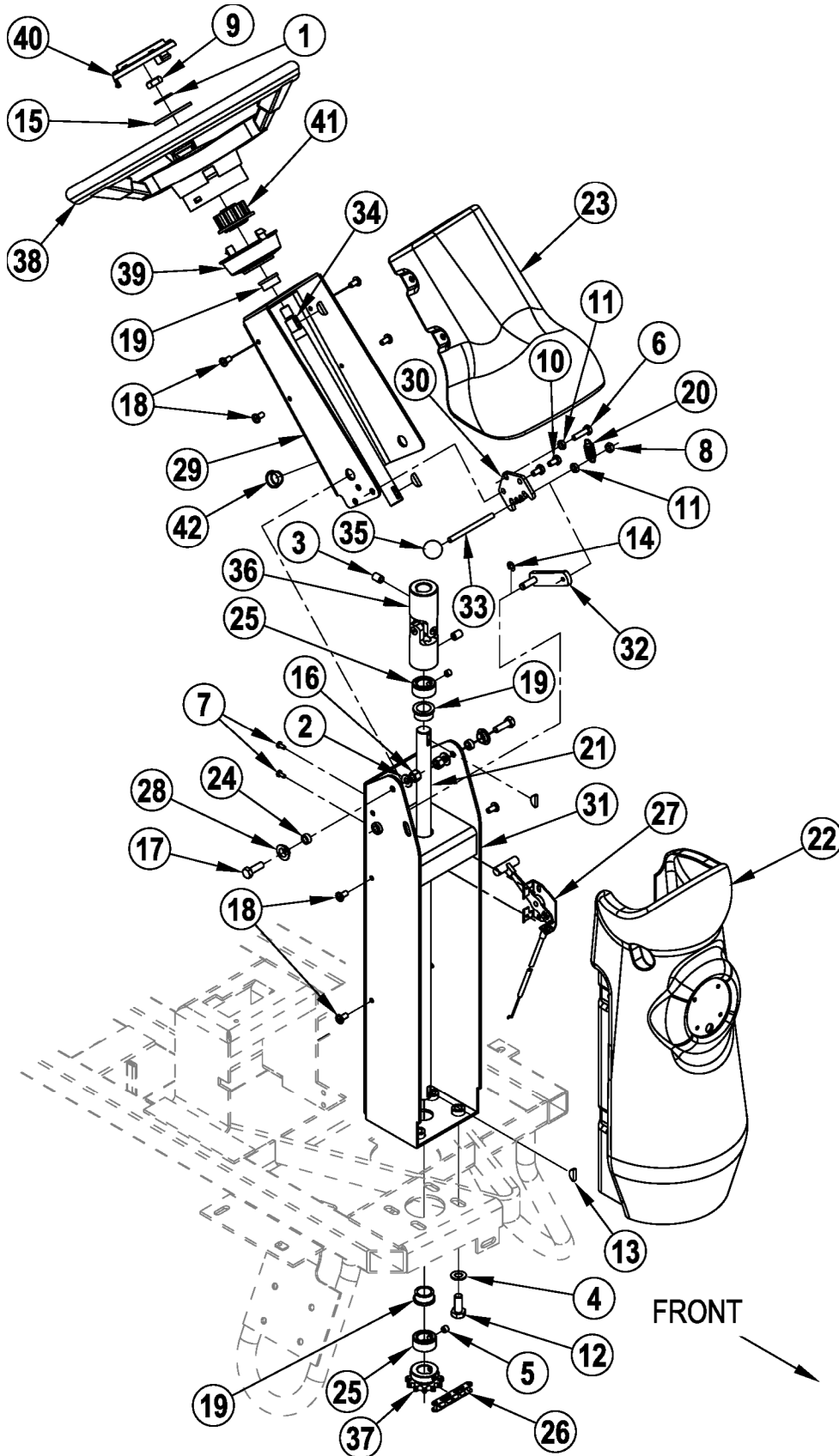
TOP VIEW OF SQUEEGEE TOOL CASTINGS





Squeegee System

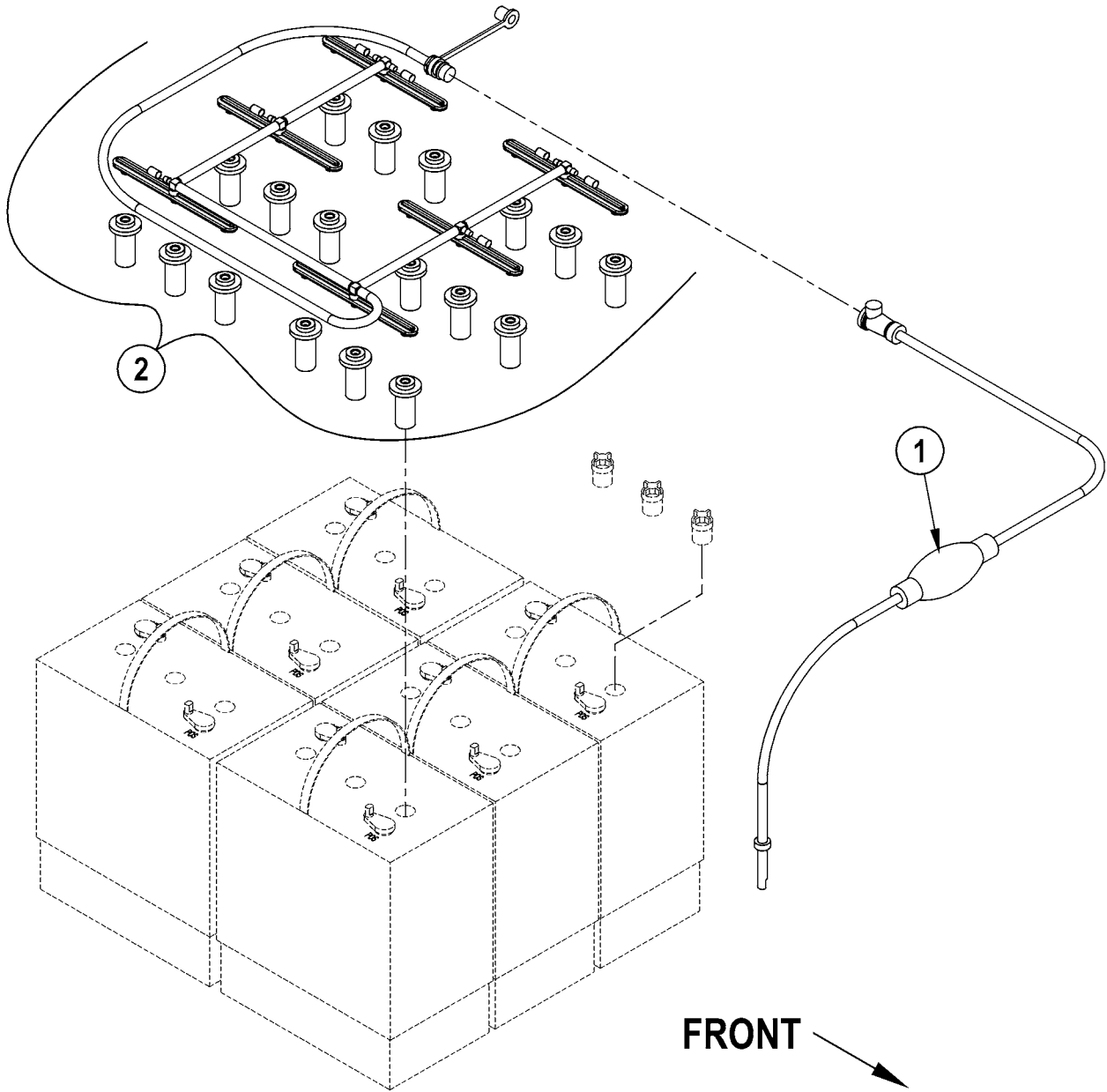
Item	Ref. No.	Qty	Description
1	56412088	1	Pin
2	56412248	2	Spacer, Squeegee Cable
3	56453691	1	Spacer
4	56002491	1	Nut, Hex Nyl Loc Ss 1/4-20
5	56002856	1	Nut, Hex Nyl Loc Ss 5/16-18
6	56002883	1	Scr- Hex Ss 1/4-20 X 1.00
7	56002886	2	Scr- Hex Ss 3/8-16 X 1.00
8	56002910	4	Wsh, Flt Sae Ss 3/8
9	56002938	1	Wsh, Flt Sae Ss 5/16
10	56002951	2	Nut, Hex Nyl Loc 3/8-24
11	56003219	2	Nut, Hex Nyl Loc Ss 3/8-16
12	56003222	3	Pin, Cotter Hair
13	56003223	1	Pin, Cot Hair .148 X Dia .62/1.00
14	56003262	2	Ring, Ret Ext Type E 0.38 Dia
15	56003264	1	Ring, Ret Ext Type E 0.50 Dia
16	56003486	1	Scr, Hex Thd To Hd Ss 5/16-18 X 4.00
17	56003656	2	Pin, Clevis .375 X 2.25
18	56003696	2	Wsh- Flt Ss .33 X 1.00 X.060
19	56003713	2	Pin, Clevis .38 X 3.75
20	56009103	2	Nut, Hex Jam 3/8-24
21	56009141	1	Nut, Hex Jam Ss 5/16-18
22	56324505	6	Bearing, Flange
23	56381818	1	Bushing .32x.44x.15
24	56390849	1	Bracket-Squeegee Mount Weldt
25	56390851	1	Bracket-Squeegee Pivot Weldt
26	56390857	1	Actuator Motor 36v (M2)
27	56390865	1	Squeegee Assembly (28")
	56390866	1	Squeegee Assembly (34")
	56390830	1	Squeegee Assembly (38")
28	56407303	1	Knob
29	56412124	2	Wheel
30	56412208	1	Roller
31	56412216	2	Spring, Extension
32	56601257	1	Cable Assembly
33	56601442	1	Shaft
34	56601460	2	Bar Weldment
35	56601463	1	Washer, Polyurethane
36	56601469	2	Rod End
37	56601512	2	Hose



Steering Column Assy

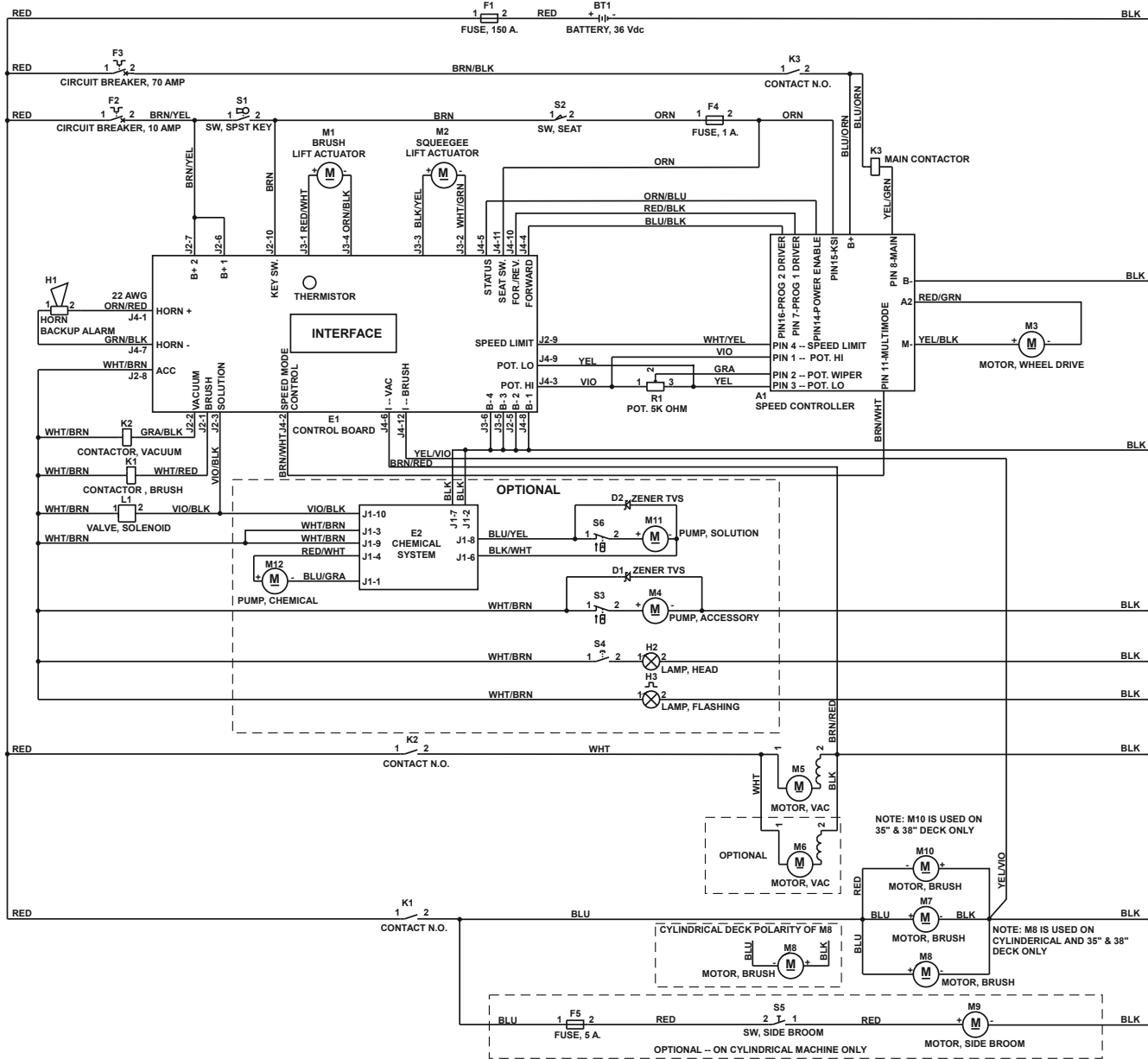
Item	Ref. No.	Qty	Description
1	56001879	3	Wsh-Flt Sae 1/2
2	56001939	2	Wsh, Flt Sae 5/16
3	56001958	2	Scr, Soc Set Loc 3/8-16 X .50
4	56002063	4	Wsh, Flt Sae 3/8
5	56002086	2	Scr, Soc Set Loc 5/16-18 X .25
6	56002093	1	Scr, Hex 1/4-20 X 1.00
7	56002523	2	Scr, Pan Phil Thd Form 8-32 X .38 NOTE 1
8	56002840	1	Nut, Hex Nyl Loc-Thin 1/4-20
9	56002843	1	Nut, Hex Nyl Loc-Thin 1/2-13
10	56003039	2	Scr,Hex Hd Loc 1/4-20x.50
11	56003145	2	Nut, Hex Jam Ss 1/4-20
12	56003186	4	Scr, Hex Thd To Hd M10-1.5 X 25mm
13	56003228	4	Key, Wdf .75 X .19
14	56003261	1	Ring, Ret Ext Type E 0.31 Dia
15	56003342	1	Washer Flt .88x2.25x.13
16	56003389	2	Nut, Hex Nyl Loc M8-1.25
17	56003436	2	Scr, Hex Ss M8-1.25 X 25mm
18	56009062	9	Scr, Pan Phil Thd Form 1/4-20 X .50
19	56250414	3	Bearing, Flange
20	56305072	1	Spring, Extension .075
21	56314195	1	Shaft, Lower Steering
22	56314295	1	Shroud, Lower Column
23	56314296	1	Shroud, Upper Column
24	56320595	2	Bushing .32x.50x.28
25	56367095	2	Collar, Shaft
26	56412198	1	Chain, Roller
27	56412281	1	Solution Control Cable NOTE 1
28	56413211	2	Bearing, Flange .625 X .500 X .250
29	56413657	1	Column, Upper
30	56413658	1	Ratchet, Steering Column
31	56413659	1	Lower Column Weldment
32	56413661	1	Steering Pawl Weldment
33	56413664	1	Rod
34	56420059	1	Shaft, Upper Steering
35	56440817	1	Knob
36	56454081	1	Universal Joint
37	56471148	1	Sprocket
38	56497306	1	Steering Wheel
39	56497308	1	Cup
40	56497543	1	Cap
41	56497560	1	Wheel Adapter
42	56900041	1	Plug, Cap

NOTE 1: Not used on AXP models.



Battery Watering System

Item	Ref. No.	Qty	Description
	56314974	1	Battery Watering System (items 1-2) (Standard on Detergent Injection Models)
	56314981	1	Battery Watering Kit (includes 56314974)
1	56314978	1	Pump
2	56314979	1	Manifold Assembly



Wiring Diagram

Item	Ref. No.	Qty	Description	Item	Ref. No.	Qty	Description
A1	56314667	1	Controller	M8	56407431	1	Motor, 36VDC, .75HP (All Cylindrical)
				[]	56407489	1	Armature (for 56407431)
BT1	N/A		Battery	[]	56407490	1	Bearing (for 56407431)
				[]	56407492	1	Brush Cap Assy (for 56407431)
E1	56314665	1	Control Panel Assembly	[]	56407493	4	Carbon Brush Assy (for 56407431)
[]	56314713	1	Membrane Switch Assy TSBUS2006-932	[]	56407494	4	Brush Cover Cap (for 56407431)
[]	56396188	1	Switch, Key	M8	56314789	1	Motor Gearbox Assembly (35", 38" Disk)
[]	56396189	1	Key, Spare	[]	56314785	1	Gearbox, Replacement
E2	56316110	1	Control Assembly (Detergent Injection only)	[]	56314784	1	Motor, Replacement
				[]	56314786	1	Kit, Carbon Brush
F1	56412089	1	Fuse, 150 Amp	M9	56469530	1	Motor, Side Broom (optional)
F2	56387316	1	Circuit Breaker, 10 Amp (Control Circuit)	M10	56314789	1	Motor Gearbox Assembly (35", 38" Disk)
F3	56454429	1	Circuit Breaker, 70 Amp (Wheel Drive)	[]	56314785	1	Gearbox, Replacement
				[]	56314784	1	Motor, Replacement
F4	N/A	1	Fuse, 1 Amp	[]	56314786	1	Kit, Carbon Brush
F5		1	Fuse, 5 Amp (Side Broom / optional)	M11	56212014	1	Pump, Solution (Detergent Injection only)
				M12	56314984	1	Pump, Detergent (Detergent Injection only)
H1	56412177	1	Horn / Backup Alarm				
H2	56409239	1	Headlight (optional)	R1	56454740	1	Potentiometer, 5K
H3	56416433	1	Strobe Light (optional)				
				S1	56396188	1	Switch, Key
K1	56395453	1	Contactora, Brush Motor	[]	56396189	1	Key, Spare
K2	56395455	1	Contactora, Vac Motor	S2	7-82-00050	1	Switch, Seat
K3	56395453	1	Contactora, Wheel Drive	S3	N/A	1	Switch, Pump (part of M4)
				S4	N/A	1	Switch, Headlight (part of H2)
L1	56397215	1	Solenoid Valve	S5	56372088	1	Switch, Side Broom (optional)
				S6	N/A	1	Switch, Pump (part of M11)
M1	56393303	1	Lift Actuator, Brush				
[]	56388520	1	Plastic Nut				
M2	56397230	1	Lift Actuator, Squeegee				
M3	56314635	1	Motor / Drive Wheel Assy				
[]	56412325	1	Carbon Brush Kit				
M4	56212014	1	Motor, Pump (optional)				
[]	56109587	1	Pump Head Assy				
[]	56109588	1	Check Valve Assy				
M5	56397228	1	Motor, Vac 36VDC				
[]	56212223	1	Carbon Brush Set				
M6	56397228	1	Motor, Vac 36VDC (optional)				
[]	56212223	1	Carbon Brush Set				
M7	56314141	1	Motor Gearbox Assy (28" Disk)				
	56314335	1	Motor Gearbox Assy (32" Disk)				
[]	56314359	2	Key, 6mm Square				
[]	56314499	2	Cover, Gearbox				
[]	56314560	2	Gearbox				
[]	56314580	1	Bearing (Fan End)				
[]	56412323	1	Bearing (Brush End)				
[]	56314582	1	Brush Ring				
[]	56314583	4	Carbon Brush				
[]	56314584	1	Safety Hook				
M7	56407431	1	Motor, 36VDC, .75HP (All Cylindrical)				
[]	56407489	1	Armature (for 56407431)				
[]	56407490	1	Bearing (for 56407431)				
[]	56407492	1	Brush Cap Assy (for 56407431)				
[]	56407493	4	Carbon Brush Assy (for 56407431)				
[]	56407494	4	Brush Cover Cap (for 56407431)				
M7	56314789	1	Motor Gearbox Assembly (35", 38" Disk)				
[]	56314785	1	Gearbox, Replacement				
[]	56314784	1	Motor, Replacement				
[]	56314786	1	Kit, Carbon Brush				

[] = Not Shown

** = Optional

OPTIONAL KITS AND ACCESSORIES

09-9

44

Adgressor™

Item	Ref. No.	Qty	Description	Item	Ref. No.	Qty	Description
Kits				35" Disk Deck Blade Kit			
**	56314753	1	Kit, Onboard Charger TSBUS2004-872 / TSBUS2009-1027	**	56314847	1	Kit, Neoprene 35 Disk NOTE 2
**	56314301	1	Kit, Seat Armrests (for 56314035)	**	56314846	1	Kit, Linatex 35 Disk NOTE 2
**	7-03-04249	1	Kit-Seat Armrests (for 8-69-00022)	**	56315720	1	Kit, Red Gum Rubber NOTE 3
**	56314302	1	Kit, Warning Beacon	**	56314849	1	Kit, Neoprene 38 Disk NOTE 2
**	56314306	1	Kit, Right Side Broom	**	56314848	1	Kit, Linatex 38 Disk NOTE 2
**	56314308	1	Kit, Scrub-N-Vac Tool W/Pump	**	56315720	1	Kit, Red Gum Rubber NOTE 3
**	56412223	1	Kit, Vacuum Wand Caddy	Accessories			
**	56314312	1	Kit, Seatbelt	**	56409441	A/R	Programmer, 1311 User
**	56314313	1	Kit, Headlight	**	56409823	A/R	Programmer Cable
**	56390761	A/R	Kit, Deck 2820D	**	56044425	A/R	Literature Pack
**	56390762	A/R	Kit, Deck 2820C	Optional Batteries			
**	56390764	A/R	Kit, Deck 3220D	**	56315959	6	Battery, 6V, 315A/H AGM
**	56390769	A/R	Kit, Deck 3220C	TSBUS2008-984			
**	56390772	A/R	Kit, Deck 3520D	**	56391391	6	Battery, 6V, 305A/H
**	56390775	A/R	Kit, Deck 3520C	TSBUS2008-984			
**	56390776	A/R	Kit, Deck 3820D	**	56206079	6	Battery, 6V, 235A/H
**	56390777	A/R	Kit, Deck 3820C	TSBUS2008-984			
**	56397453	1	Kit, Battery Fill Indicator	Optional Battery Chargers			
**	56314981	1	Kit, Battery Watering	**	56395101	A/R	Charger, 36VDC, Auto, 20Amp, 120VAC/60HZ
**	56314338	A/R	Kit, Dual Vac Motor	**	56388502	A/R	Charger, 36VDC, Auto, 25Amp, 120VAC/60HZ
**	56314698	1	Kit, Onboard Charger, GEL	**	56388120	A/R	Charger, 36VDC, Auto, 36Amp, 120VAC/60HZ
TSBUS2008-984 / TSBUS2009-1027				**	56372190	A/R	Charger, 36VDC, 20Amp, 230VAC/50HZ
**	56316251	1	Kit, Onboard Charger, AGM TSBUS2008-984	**	56388119	A/R	Charger, 36VDC, 36Amp, 230VAC/50HZ
TSBUS2008-984 / TSBUS2009-1027				** = Optional, Not Included			
Replacement parts for the kits listed above can be found on each kit's associated instruction sheet.							
28" Squeegee Blade Kits				NOTE 1: Squeegee Blade Kits include both front & rear squeegee blades.			
**	56601531	1	Blade Kit, Squeegee Gum 28 NOTE 1	NOTE 2: These Disk Deck Blade Kits include required mounting fasteners (Rivet, Nylon Tree Push-In 56003263) the 2 blades (front and rear) for the deck and all skirt assembly blades.			
**	56601083	1	Blade Kit, Squeegee Red Gum NOTE 1	NOTE 3: These Disk Deck Blade Kits include just the blades for use in the two Skirt Assemblies.			
**	56601529	1	Blade Kit, Squeegee PU 28 NOTE 1				
34" Squeegee Blade Kits							
**	56601532	1	Blade Kit, Squeegee Gum 34 NOTE 1				
**	56601094	1	Blade Kit, Squeegee Red Gum NOTE 1				
**	56601530	1	Blade Kit, Squeegee PU 34 NOTE 1				
38" Squeegee Blade Kits							
**	56390756	1	Blade Kit, Squeegee Gum 38 NOTE 1				
**	56390757	1	Blade Kit, Squeegee Red Gum 38 NOTE 1				
**	56390758	1	Blade Kit, Squeegee PU 38 NOTE 1				
28" Disk Deck Blade Kits							
**	56314913	1	Kit, Gum Rubber 28 Disk NOTE 2				
**	56314917	1	Kit, Linatex 28 Disk NOTE 2				
**	56315722	1	Kit, Gum Rubber NOTE 3				
**	56315721	1	Kit, Red Gum Rubber NOTE 3				
32" Disk Deck Blade Kits							
**	56314914	1	Kit, Gum Rubber 32 Disk NOTE 2				
**	56314918	1	Kit, Linatex 32 Disk NOTE 2				
**	56315722	1	Kit, Gum Rubber NOTE 3				
**	56315721	1	Kit, Red Gum Rubber NOTE 3				

Item	Ref. No.	Qty	Description	Item	Ref. No.	Qty	Description
28" Disk Scrub Brushes				28" Cylindrical Scrub Brushes			
**	56505800	2	Short Trim Pad Holder	**	56412191	2	Soft Nylon
**	56505195	2	Pad Retainer for 56505750	**	56412192	2	Hard Nylon
**	56505801	2	MagnaGrit	**	56412046	2	Prolene
**	56505802	2	DynaGrit	**	56412193	2	180 Grit
**	56505803	2	AgLite	**	56412194	2	80 Grit
**	56505804	2	Prolene	**	56412195	2	46 Grit
**	56505805	2	ProLite				
**	56505806	2	Union Mix				
**	56505807	2	MidGrit	**	56407473	2	Soft Nylon
**	56505808	2	MidLite Grit	**	56407474	2	Hard Nylon
32" Disk Scrub Brushes				**	56407475	2	Prolene
**	56505830	2	Short Trim Pad Holder	**	56407476	2	180 Grit
**	56505195	2	Pad Retainer for 56505750	**	56407477	2	80 Grit
**	56505831	2	MagnaGrit	**	56407478	2	46 Grit
**	56505832	2	DynaGrit				
**	56505833	2	AgLite	**	56314778	2	Soft Nylon
**	56505834	2	Prolene	**	56314779	2	Hard Nylon
**	56505835	2	ProLite	**	56314780	2	Prolene
**	56505836	2	Union Mix	**	56314781	2	180 Grit
**	56505837	2	MidGrit	**	56314782	2	80 Grit
**	56505838	2	MidLite Grit	**	56314783	2	46 Grit
35" Disk Scrub Brushes				35" Cylindrical Scrub Brushes			
**	56505750	2	Short Trim Pad Holder	**	56410294	2	Soft Nylon
**	56505195	2	Pad Retainer for 56505750	**	56410295	2	Hard Nylon
**	56505751	2	MagnaGrit	**	56410293	2	Prolene
**	56505752	2	DynaGrit	**	56410296	2	180 Grit
**	56505753	2	AgLite	**	56410297	2	80 Grit
**	56505754	2	Prolene	**	56410298	2	46 Grit
**	56505755	2	ProLite				
**	56505756	2	Union Mix				
**	56505757	2	MidGrit				
**	56505758	2	MidLite Grit				
38" Disk Scrub Brushes				38" Cylindrical Scrub Brushes			
**	56505760	2	Short Trim Pad Holder				
**	56505195	2	Pad Retainer for 56505750				
**	56505761	2	MagnaGrit				
**	56505762	2	DynaGrit				
**	56505763	2	AgLite				
**	56505764	2	Prolene				
**	56505765	2	ProLite				
**	56505766	2	Union Mix				
**	56505767	2	MidGrit				
**	56505768	2	MidLite Grit				

We provide brushes and pad holders that will give you the best possible performance between machine and floor. Following are descriptions of the materials and their applications.

- Union Mix:** Medium grade natural fibers for polishing finished floors with standard-speed equipment. Recommended for use in place of white pads.
- ProLite:** Bristles are made from light-duty polypropylene for general scrubbing when you do not want to scratch or remove finish from the floor. Recommended for use in place of red pads.
- Prolene:** Polypropylene material for medium-duty scrubbing on concrete, terrazzo and vinyl floor tile. Recommended for use in place of green or blue pads.
- Magna Grit:** For extreme heavy-duty scrubbing or stripping of floors. This brush has extra large diameter silicon carbide grit impregnated synthetic bristles. Recommended for use in place of black pads.
- Dyna Grit:** For aggressive, heavy-duty scrubbing or stripping of floors. Recommended for use in place of brown pads.
- MidLite Grit:** For general purpose scrubbing of sealed or unsealed concrete, stone, terrazzo, quarry tile and other resilient hard floor surfaces. Recommended for use in place of green or blue pads.
- MidGrit:** For general purpose scrubbing when you need a lighter action for sealed or unsealed concrete, stone, terrazzo, quarry tile and other resilient hard floor surfaces. Recommended for use in place of green or blue pads.
- AgLite Grit:** For light scrubbing when used wet; buffing or polishing when used dry on urethane coated, sealed concrete or other resilient hard surface floors. Recommended for use in place of red or white pads.
- Short Trim Pad Holder:** Made with a structural foam block and center ring for correct pad centering. It has a "shower feed" design for getting solution to the floor.

28" BRUSHES

56505800 - Short Trim Pad Holder
 56505195 - Pad Retainer for 56505800
 56505801 - Magna Grit
 56505802 - Dyna Grit
 56505803 - AgLite Grit
 56505804 - Prolene
 56505805 - Prolite
 56505806 - Union Mix
 56505807 - MidGrit
 56505808 - MidLite Grit

32" BRUSHES

56505830 - Short Trim Pad Holder
 56505195 - Pad Retainer for 56505830
 56505831 - Magna Grit
 56505832 - Dyna Grit
 56505833 - AgLite Grit
 56505834 - Prolene
 56505835 - Prolite
 56505836 - Union Mix
 56505837 - MidGrit
 56505838 - MidLite Grit

35" BRUSHES

56505750 - Short Trim Pad Holder
 56505195 - Pad Retainer for 56505750
 56505751 - Magna Grit
 56505752 - Dyna Grit
 56505753 - AgLite Grit
 56505754 - Prolene
 56505755 - Prolite
 56505756 - Union Mix
 56505757 - MidGrit
 56505758 - MidLite Grit

38" BRUSHES

56505760 - Short Trim Pad Holder
 56505195 - Pad Retainer for 56505760
 56505761 - Magna Grit
 56505762 - Dyna Grit
 56505763 - AgLite Grit
 56505764 - Prolene
 56505765 - Prolite
 56505766 - Union Mix
 56505767 - MidGrit
 56505768 - MidLite Grit

DISC BRUSH APPLICATION GUIDE (SUGGESTION ONLY)

Application	46 Grit	80 Grit	180 Grit	240 Grit	500 Grit	Prolene	Prolite	Union Mix
Stripping:								
Concrete	X	X						
Terrazzo	X	X						
Ceramic/Quarry tile		X						
Vinyl tile		X						
General Scrubbing:								
Concrete	X	X	X	X		X		
Terrazzo			X	X	X	X		
Ceramic/Quarry tile			X	X	X	X		
Marble					X		X	
Vinyl tile			X		X	X		
Raised-rubber tile					X		X	
Polishing:								
Raised Disc Tile								X
Marble								X
Vinyl tile								X

We provide brushes and pad holders that will give you the best possible performance between machine and floor. Following are descriptions of the materials and their applications.

- 46 Grit Brush:** Most aggressive grit brush. Used primarily to clean heavy buildup on concrete floors in factories, or for heavy stripping of finish.
- 80 Grit Brush:** Medium aggressive grit brush. Good all-around brush for medium to heavy buildup removal. Can also be used for general stripping operations.
- 180 Grit Brush:** Least aggressive grit brush. Used for daily cleaning of hard-finished floors.
- Polypropylene Brush:** Standard equipment brush. Low cost, yet effective in cleaning many common floor surfaces.
- Stiff Nylon Brush:** Cleaning action similar to polypropylene. More durable and wear-resistant than polypropylene.
- Soft Nylon Brush:** Least aggressive brush available. Used on soft-finish floors where a more aggressive brush would leave scratch marks, or in applications requiring very light cleaning.

28" BRUSHES

56412191 - Soft Nylon
 56412192 - Hard Nylon
 56412046 - Prolene
 56412193 - 180 Grit
 56412194 - 80 Grit
 56412195 - 46 Grit

32" BRUSHES

56407473 - Soft Nylon
 56407474 - Hard Nylon
 56407475 - Prolene
 56407476 - 180 Grit
 56407477 - 80 Grit
 56407478 - 46 Grit

35" BRUSHES

56314778 - Soft Nylon
 56314779 - Hard Nylon
 56314780 - Prolene
 56314781 - 180 Grit
 56314782 - 80 Grit
 56314783 - 46 Grit

38" BRUSHES

56410294 - Soft Nylon
 56410295 - Hard Nylon
 56410293 - Prolene
 56410296 - 180 Grit
 56410297 - 80 Grit
 56410298 - 46 Grit

CYLINDRICAL BRUSH APPLICATION GUIDE (SUGGESTION ONLY)

Application	46 Grit	80 Grit	180 Grit	Polypropylene	Stiff Nylon	Soft Nylon
Stripping:						
Concrete	X	X				
Terrazzo	X	X				
Ceramic/Quarry tile		X				
Vinyl tile		X				
General Scrubbing:						
Concrete	X	X	X	X	X	
Terrazzo			X	X	X	X
Ceramic/Quarry tile			X	X	X	X
Marble			X		X	X
Vinyl tile			X	X	X	X
Raised-rubber tile			X			X



**Nilfisk
Advance**

setting standards

Nilfisk-Advance, Inc.
14600 21st Avenue North
Plymouth, MN 55447-3408
www.nilfisk-advance.com
Phone: 800-989-2235
Fax: 800-989-6566
©2009 Nilfisk-Advance, Inc.