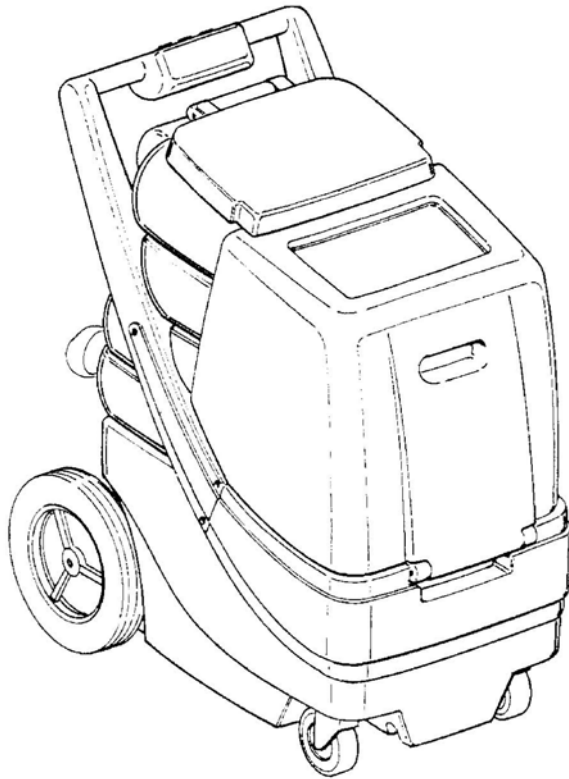


GALAXY

OWNER'S MANUAL & PARTS LIST

This equipment is intended for commercial use only.



TPL-17-200-CE-HEAT-TCP



1-888-722-5508

BEFORE OPERATING THE MACHINE

Read the manual carefully and completely before attempting to operate the unit. This manual has important information for the use and safe operation of the machine. Keep this manual handy at all times. This machine will assure years of satisfactory service if operated and maintained according to recommendations in this manual. If additional information is needed, please contact your local distributor or write to:

CleanFreak
P.O. Box 569
Wausau, WI 54402

WARNING

- The machine was designed for use on carpet, floor and upholstery extraction applications as per instructions and recommendations written in this manual. Any deviation from its proper use or purpose and the consequential damage that may occur is the sole responsibility of the end user.
- Disconnect the power cord from the outlet before servicing. Do not leave machine connected to an electrical outlet when unattended.
- Do not immerse or use this machine in standing water. Such use may cause electric shock.
- This equipment is not designed to handle or use combustible/volatile substances such as gasoline or kerosene, in, on, or near the machine. The use of such materials will cause extreme hazardous condition.
- When using an extension cord, use only a 3-prong conductor grounding cord, 12 gauge wire or heavier.
- To avoid electric shock, do not expose the unit to rain. Store it indoors only.
- Do not use the machine for dry vacuuming.
- Use defoamer at all times to prevent damage to the vacuum motor(s).
- Do not use water in excess of 170°F (76°C).
- To prevent seal damage and chemical build-up to the pump system, run clean water through the solution lines after each day's use.
- Use only commercially available carpet cleaning solutions and defoamer intended for use with machines of this type. Do not use dyes, bleaches, ammonia, or other additives. The use of powdered cleaning solution if not diluted properly may result in damage to the pump. If powdered chemicals are used, premix in a separate container before placing in the solution tank.
- Do not expose machine to freezing temperatures.
- All repairs must be done by an authorized CleanFreak repair station.
- Do not use replacement parts other than those specified on the parts list.

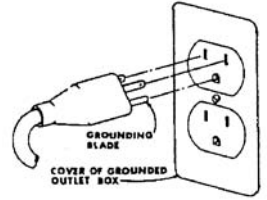
For units with HEAT'N'RUN heater:

- Read and understand the HEAT'N'RUN owners manual before using the HEAT'N'RUN heater on your GALAXY Extractor.
- Do not run heater dry.
- Water hookups must be in place and water flowing through the heater prior to turning it on. Failure to do so may cause internal component damage and will void warranty.
- Heater must be filled with water or water based solutions at all times when in use. Turn off the switch and unplug the heater from outlet when not in use.
- Do not use heater with any other machine and at any pressure higher than 250 PSI.
- Do not immerse heater in water.
- To avoid explosion and / or fire, do not use solvents or any flammable liquid in heater.

FAILURE TO COMPLY WITH THE ABOVE WARNING INSTRUCTIONS WILL VOID THE WARRANTY

GROUNDING INSTRUCTIONS

The 120V A/C and the 220V A/C models have been outfitted with the appropriate grounded connectors. Make sure the machine is connected to a grounded outlet having the same configuration as the grounded plug. No adapter should be used with this machine. Any modification to the connectors will void the warranty.



PREPARING THE MACHINE (ALL GALAXY EQUIPMENT)

IMPORTANT: For all Galaxy equipment, use only the correct high pressure, high heat wands & upholstery tools. They are designed to deliver and maintain the correct gallons per minute (GPM), pressure (PSI) and heat when attached to the GALAXY pump system. Use of other manufacturer wands can cause over-wetting of carpet, damage to the pump system (including hose & fittings), lack of pressure and heat.

1. Pour clean solution into the solution tank.
2. Slide vacuum hose onto the black hose adapter (located at the back of the machine) and the wand or upholstery tool.
3. Connect the male end of the solution hose to the wand and the female end to the machine by sliding knurled collar on the female quick disconnect fitting back. Push the male fitting in and release the knurled collar until it snaps back.
4. Make sure the drain valve is closed by pushing the T-handle all the way in.
5. Previously shampooed carpets usually have a heavy build-up of old shampoo residue which can cause the vacuum system to ingest foam and result in damage to the vacuum motor. Remember to add recommended amount of defoamer to the recovery tank every time you fill the solution tank.
6. If a Powermate is to be used with the machine, connect the male plug on the wand to the optional receptacle on the machine.

Additional Instructions for **GALAXY's with HEAT'N'RUN installed:**

1. Be sure to fill the solution tank with water before plugging in the machine.
2. Water hookups must be in place and water flowing through the heater prior to turning it on. Failure to do so may cause internal component damage and will void the warranty.
3. Spray water through the tool / wand before turning on the heater to assure that there is water flow.
4. Heater must be filled with water or water based solutions at all times when in use.
5. Plug heater power cord and machine power cord into separate outlets on separate circuits.
6. Turn off the switch and unplug the heater from outlet when not in use.
7. Do not use heater with any other machine than this adjustable PSI Galaxy.
8. Turn on heater switch when you are ready to clean.

CAUTION: When the green light on the heater is on, the heater is heating. When the green light is off, the water in the heater tank is up to temperature and the thermostat switch in the heater has turned the heater off. It will automatically turn on again when the water temperature in the heater has cooled.

DELIVER MAXIMUM HEAT by performing the following **SYSTEM WARM-UP PROCEDURES** at the start of each day:

1. Attach the solution hose to the quick disconnect on the machine.
2. Attach the warm-up quick disconnect with spray tip attached to the other end of the solution hose.
3. Place warm-up quick disconnect in the solution tank.
4. Fill solution tank with cleaning solution.
5. Turn on pump.
6. When water is flowing out of the warm-up quick disconnect, turn on the heater.
7. Let the pump and heater run for 4 to 5 minutes.
8. Remove warm-up quick disconnect. Attach the wand or upholstery tool and begin cleaning.

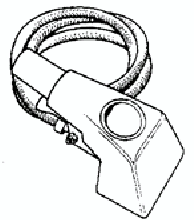
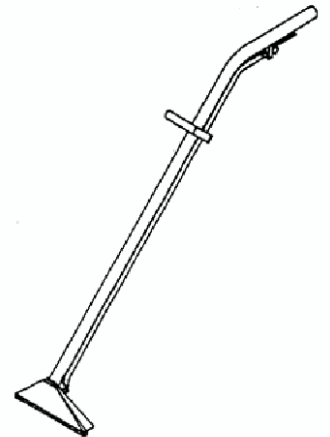
Additional instructions:

Prime the pump by connecting the pump priming hose, which is the 4 foot long solution hose with a stopper on one end, and a quick disconnect on the other end. Attach the quick disconnect to the machine, and the stopper to the vacuum hose. Make sure your solution tank is full of solution to create additional pressure. Turn on the pump, then the vacuum motors to create suction and draw water through the air locked pump. When the solution steadily flows through the solution line, your pump is primed.

The pump should rarely ever need to be primed. If the solution tank is allowed to run low, it will result in the pump sucking in air, then the pump will need to be primed. Erratic pressure fluctuation indicates air in the lines and means the pump needs priming as well.

OPERATING INSTRUCTIONS- CARPET TOOL

1. Turn on the vacuum and solution switches. Slowly pull the tool towards you with the solution valve trigger engaged. Then make a pass forward and backward with the vacuum only (no spray) over the cleaned area to remove as much dirt and solution as possible. Do not overwet carpet! Make overlapping passes to prevent streaking.
2. If the carpet is heavily soiled, squeeze solution valve on the forward pass as well as backwards, allowing cleaning solution a few seconds longer to work prior to vacuuming. Another method is to raise the wand 8" above the carpet and pre-spray lightly prior to cleaning passes. On extremely soiled carpets, we recommend using a pre-spray solution.
3. When you run out of solution, turn off the pump. Attach the drain elbow on the drain valve. Place a pail under the downspout and pull up the drain valve T-handle. Dirty solution will pour out until the tank is empty. Close the drain valve. Use a clean bucket when you refill the solution tank.
4. When the job is completed, turn the switch off and disconnect the vacuum and solution hoses from the carpet and the machine. Drain the recovery tank through the drain valve as before.



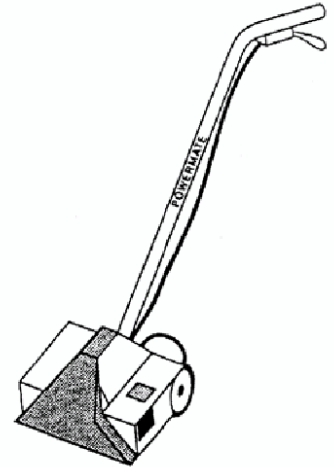
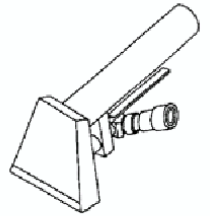
POWERMATE 1204ACH

IMPORTANT: 1204ACH is for use with all heated Galaxy extractors.

1. Connect the cord on the power wand to the optional receptacle in back of the machine. Turn on the vacuum and pump switches.
2. The motor for the power brush is turned on and off by a lighted rocker switch located on the top of the base. Solution application is controlled by squeezing the solution valve lever.
3. To move the power wand forwards, push the wand handle downward, raise the front end and push the wand into position using the rear wheels. To pre-spray, squeeze solution valve lever while moving wand forward and backwards over the area to be pre-sprayed.
4. To clean, lift the wand handle to insure the nose of the wand is against the carpet, then while squeezing the solution valve lever, pull the wand towards you.

Here's how it works- the solution is jet sprayed deep into the carpet to loosen the dirt. The brush scrubs the fiber and breaks up surface and deep dirt. It fluffs the nap without distortion to the pile. With the weight of the base on the suction head, the vacuum picks up the dirt and solution. Make overlapping passes to prevent streaking.

5. Go over the path you just cleaner without squeezing the solution valve lever to remove as much dirt and solution as possible.



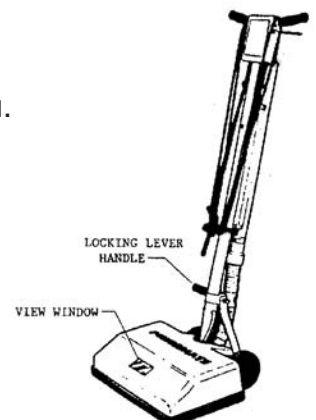
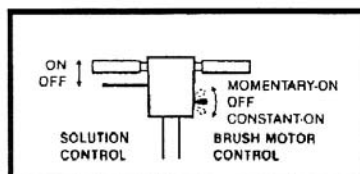
POWERMATE 1800AC-200

IMPORTANT: 1800AC-200 is for use with all heated Galaxy extractors.

1. Connect the cord on the power wand to the optional receptacle in the back of the machine. Turn on the vacuum and pump switches.
2. The motor of the rotating power brush is operated with your right hand controlling a long toggle switch. Pull it up for momentary use, push it down for continuous brush action (center off). Solution application is controlled by depressing the flow switch lever with your right hand fingertips.
3. To adjust the handle into operating position, pull up the grip on the locking lever located near the base of the handle. Move the handle to waist level height and push down grip handle on lever to lock into place.
4. To move the power wand forward, push handle downward to raise the front end and move the wand into position. To pre-spray, depress the flow switch lever (solution control) while moving wand forwards or backward over the area to be cleaned with the front end raised.
5. To clean, depress the solution flow lever while pulling the power wand towards you.

Here's how it works- the solution is jet sprayed deep into the carpet to loosen dirt. The rotating brush scrubs the fiber and breaks up surface and deep rooted dirt. It fluffs the nap without any distortion to the pile. With the weight of the base on the suction head, the vacuum picks up the dirt and solution. Make overlapping passes to prevent streaking.

6. Make a pass over the path you just cleaned without depressing the solution flow lever (vacuum only) and with the brush still on to remove as much dirt and solution as possible.



CLEANING UPHOLSTERY

Cleaning upholstery with success requires a good knowledge of the type of fabric you will work on. Look for the cleaning instructions label sewn on the underside of the furniture for the recommended method of cleaning. If it calls for dry cleaning, do not attempt to clean by wet extraction otherwise damage to the fabric could occur. Extraction works perfectly on most synthetic fabrics including synthetic velvets.

Before proceeding, test the fabric for colourfastness. Apply a small amount of cleaning solution on the fabric in an inconspicuous spot. Wait 2 to 3 minutes and rub the area with a white terry cloth towel. If no color comes off the towel, the fabric should be safe to clean. If a little color comes off, there is some risk of colors running when you clean. It may be possible to stabilize colors by cleaning with an acidic rinse.

1. Prepare the machine in the same manner as for carpet cleaning (see Preparing the Machine) except attach the upholstery tool to the vacuum hose. Connect the solution hose. Pour hot water into the solution tank. Add recommended amount of cleaning concentrate into the solution tank. Turn on the vacuum and pump switches.
2. Adjust the pump "operating pressure" to 50 PSI for upholstery cleaning (See Preparing the Machine).
3. Clean with the upholstery tool using as little solution as possible. Make overlapping passes to prevent streaking. Go over the area you just cleaned without depressing the lever (vacuum only) and gauge the amount of moisture extracted through the view window for dryness. On heavily soiled areas like arm rests, pre-treat with a recommended pre-spray solution or hold the upholstery tool a few inches above the fabric and press lever to spray on the solution before making a pass.

DAILY MAINTENANCE

1. Always keep the machine clean inside and out.
2. Pour 2 gallons of clean hot water in the solution tank. Turn on and flush the entire system through the wand nozzles for about a minute to prevent build-up.
3. Remove dirt and lint build-up inside the filter screen in the recover tank. Lint should be cleaned off so that air flow is not impeded.
4. Check the solution tank strainer in the solution tank. If lint has accumulated in the screen, remove and rinse it in clear running water.

PERIODIC MAINTENANCE

All EDIC machines are engineered and built to require a minimum of maintenance. But like any machine, it does require some care to keep it in optimum working condition. Careful attention to these maintenance instructions will give you maximum operating performance and will increase the life expectancy of your machine.

- **Solution Lines and Fittings:** Flush the machine at least once a month with a solution of 3 parts water with 1 part white vinegar in order to neutralize the alkaline residue left by the cleaning solution.
- **Quick Connect Coupler:** Spray with WD-40 or equivalent lubricant to prevent coupler from sticking.
- **Drain Valve:** Apply light oil on gate seals. If machine has to be stored, leave the gate valve open.
- **Solution Pump:** The same above procedure used on the solution line and fittings applies to the pump.

TROUBLESHOOTING

Electrical System

PROBLEM	PROBLEM CAUSE
No electrical power.	1. Defective power cord. 2. House or building circuit breaker tripped.
Switch is turned on. Power is intermittent to all motor(s)	1. Faulty electrical cable. 2. Defective switches. 3. Loose terminal or discolored terminal connections.

Vacuum System

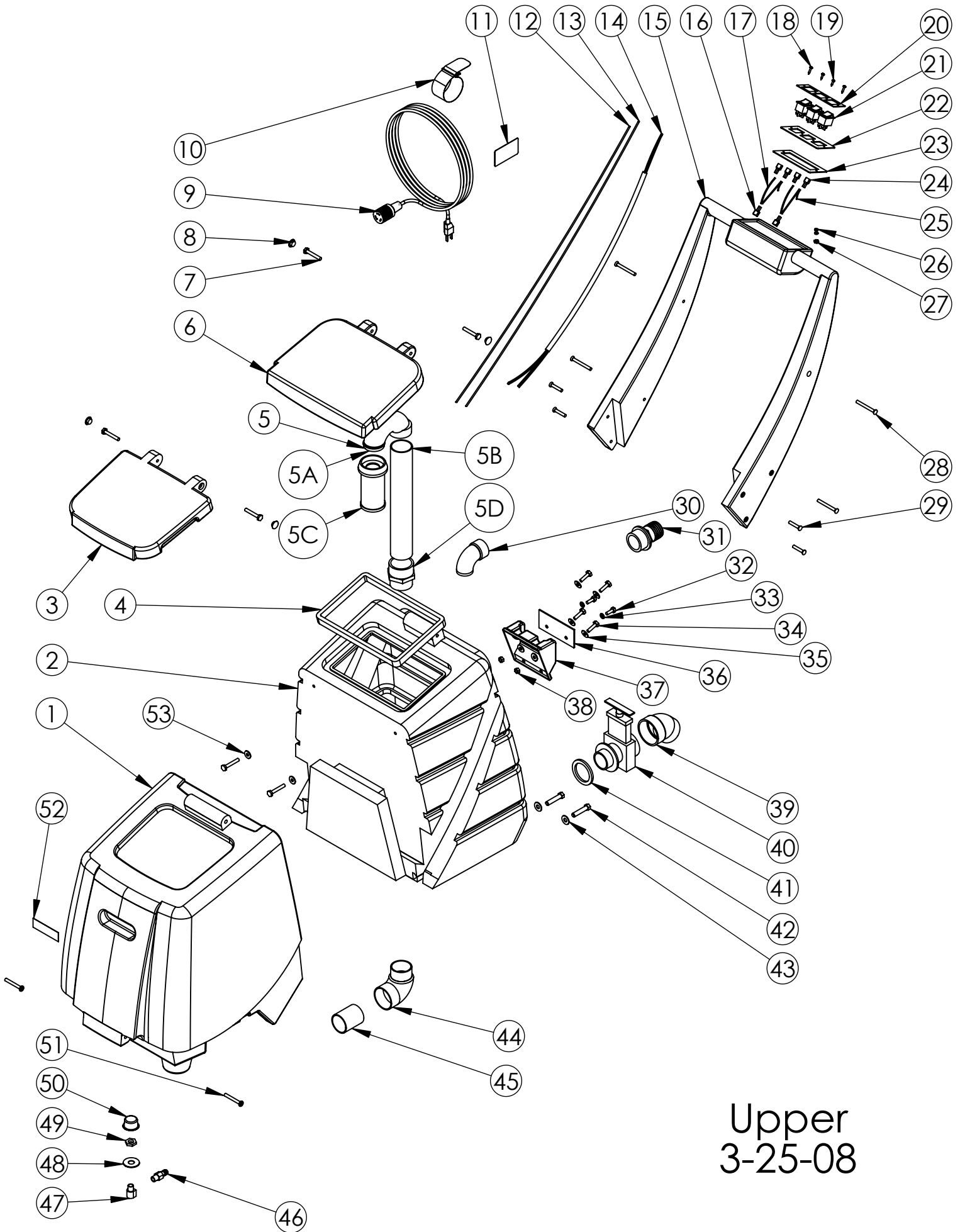
No Vacuum	1. Drain valve open. 2. Vacuum lid is not sealed against tank. 3. Loose vacuum hose, vacuum connection.
Low Vacuum	1. Accumulated dirt on lid screen. 2. Worn out vacuum lid gasket. 3. Lint & dirt build-up on wand head. 4. Defective vacuum hose. 5. Loose connection in one of the vacuum motors.

Solution System

Pump motor on, no spray thru spray tips	1. Clogged spray tips. 2. Clogged solution intake filter screen. 3. Plugged female quick disconnect coupler. 4. Punctured pump diaphragm. 5. Defective pump check valve. 6. Crack in pump housing. 7. Debris in check valve. 8. Lost Prime.
Uneven or weak spray from tips.	1. Clogged or dirty spray tips. 2. Accumulated dirt on solution intake filter screen. 3. Accumulation of debris inside pump and plumbing. 4. Worn pump bearing (excessive noise). 5. Punctured pump diaphragm. 6. Defective rectifier or motor. 7. Worn nozzles. 8. Pressure regulator set incorrectly.
Vacuum motor (s) working, pump motor fails to turn on	1. Loose wiring connection. 2. Defective pressure switch in pump. 3. Defective pump motor or rectifier.
Erratic Pressure	1. Pump check valves defective or dirty. 2. Lost prime.

OPTIONAL ACCESSORIES

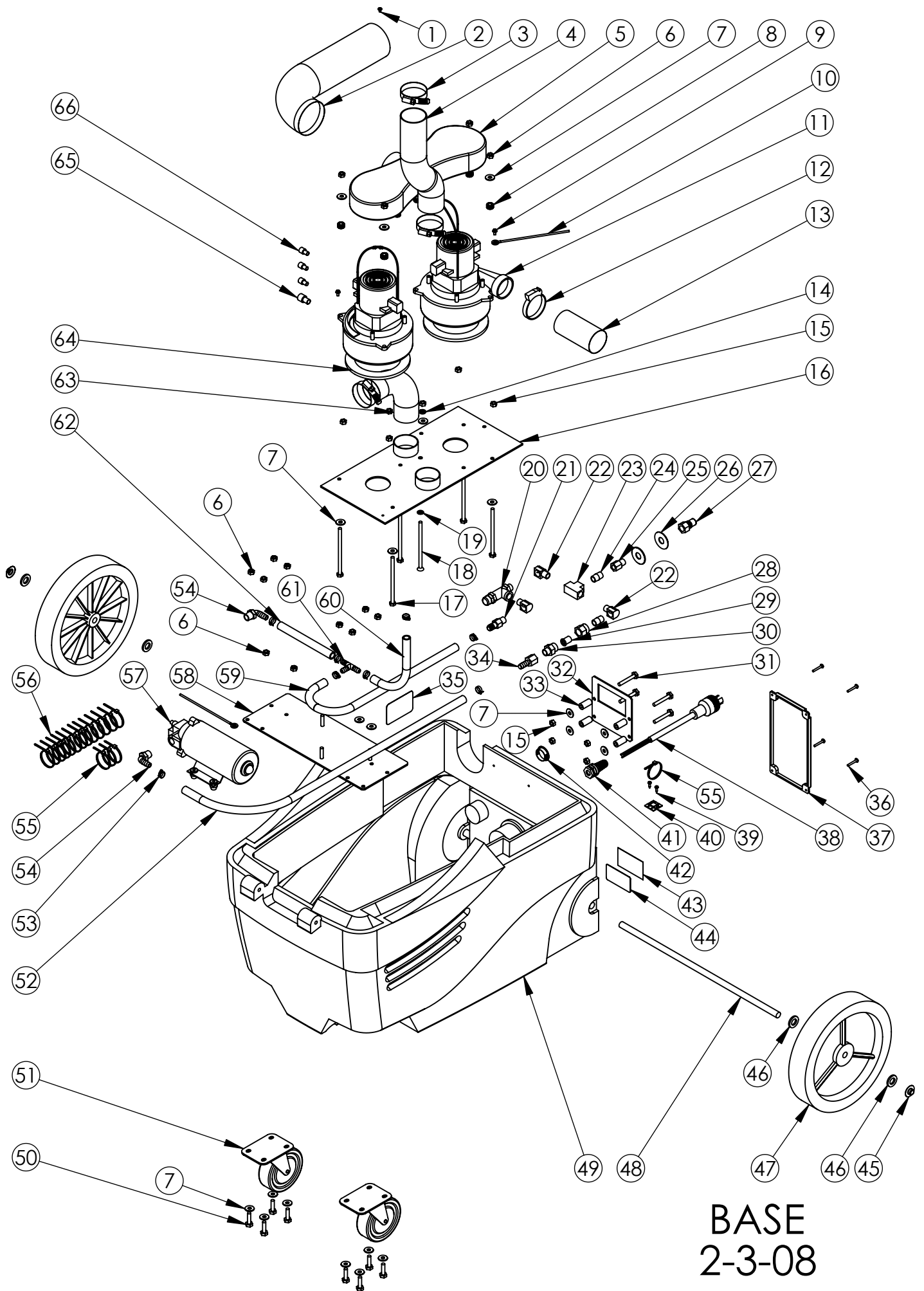
HEAT-N-RUN



Upper
3-25-08

17 GALLON GALAXY 200 PSI (UPPER) PARTS LIST

ITEM #	PART #	DESCRIPTION	QTY
1	F11787-BLANK	SOLUTION TANK, GALAXY PRO	1
2	F11788-1	RECOVERY TANK, GALAXY PRO	1
3	F11791-1	LID, SOLUTION TANK, GALAXY PRO	1
4	G11836	GASKET, RECOVERY TANK	1
5	12904A	STAND PIPE ASSY	1
	A K11965	ELBOW, 180 DEG. FLOAT BALL	1
	B K00672	PVC PIPE, 1.5 X 12 IN, SCH 40 WHT	1
	C 10989-2A	FLOAT BALL SCREEN	1
	D K00741	ADAPTER	1
6	F11785-1	LID, RECOVERY TANK	1
7	C11167	BOLT, 1-4 X 20	6
8	K02714	PLUG, .500	4
9	B11769	EXTENSION CORD, 12-3 SJTW	1
10	C11177	VELCRO STRAP	1
11	H02548-2	LABEL, IMPORTANT, CORD	1
12	B00185-30	WIRES, 73 IN	1
13	B00185-40	WIRES, 73 IN	1
14	B010314	WIRE HARNESS	1
15	F11786-1	HANDLE	1
16	B00177	TERMINAL LUG, FEMALE, QD , .25 X .032, 16-14 AWG FULLY INSULATED	2
17	B00185-40	WIRE, 14 GA BLACK, UL1015, 15IN	1
18	C00295-1	#10 X .75IN PAN, BLACK SMS, PHILLIPS	2
19	C00293	#8 X .5IN PAN, BLACK SMS, PHILLIPS	2
20	D11168	COVER, SWITCHPLATE, GALAXY	1
21	B02211-1	SWITCH, ROCKER, GREEN LIGHT	3
22	D010284	SWITCHPLATE	1
23	E010453	GASKET, SWITCH BRACKET	1
24	B00177-1	TERMINAL LUG, FEMALE, QD, .25 X .032	4
25	B00185-30	WIRE, 14 GA WHITE, UL1015, 5IN	1
26	C02315	LOCKWASHER, #10 INT. STR,SS	2
27	C00264	NUT, 10-31	1
28	C00288-1	.25-20 X 2.25 FLAT HEAD	4
29	C00288	.25-20 X 1.5 FLAT HEAD	4
30	K00666	90 ELBOW, SCH D 40, 1.5 IN	1
31	K00665-1	HOSE ADAPTER, 1.5 IN, BLACK	1
32	C00313	HEX BOLT, .25 X 20 X .75	2
33	C02312	LOCKWASHER, .25 IN, INTERNAL STAR	2
34	C00314-1	HEX BOLT, 1-4 X 20 X 1 IN	4
35	C00233	WASHER, FLAT, .25 IN	6
36	D010283	PLATE, HEATER MOUNTING	1
37	F11804	HEATER MOUNT	1
38	C00261	NUT, .25-20, HEX	2
39	K00710	ELBOW, DRAIN VALVE, BLACK	1
40	K00711	DRAIN VALVE, BLACK	1
41	E11128	GASKET, DRAIN VALVE	1
42	C12110	HEX BOLT, .375-16 X 1.75	2
43	C11540	WASHER, .375 ID X .875 OD	2
44	K11185	ELBOW, 90, 1.5IN, MT-MS, PVC	1
45	K00672-1	PVC PIPE, 1.5 X 2.25 IN, SCH 40 WHT	1
46	A00060	3-8 BARB X 1-4MP, BRASS	1
47	A00052	.25 X .375 M-F DEG BRASS	1
48	C11244	WASHER, .56 X 1.5 X .05	1
49	A00124	HEX NUT, .25 NPT, BRASS	1
50	D00373	INLET FILTER, .25 NPT	1
51	C11144	SCREW, .25-20 X 2, SS	2
52	S11179	NON-SKID TAPE, 1 IN ROLL	1
53	C00238	WASHER, .275 IN, NEOSTEEL	2



BASE
 2-3-08

17 GALLON GALAXY 200 PSI (BASE) PARTS LIST

ITEM #	PART #	DESCRIPTION	QTY
1	C00297	SCREW, #8 X .25IN, PAN HEAD	1
2	J11863	HOSE, 3IN	1
3	J00639	SCREW CLAMP, 1.63-2.43IN	3
4	J00618	VACUUM HOSE, 2 IN GREY, WIRE22 IN LG	1
5	F11178-BLK	INTERCOOLER, GALAXY, BLACK	1
6	C00273	LOCKNUT, 1-4 X 20, NYLON, SS	16
7	C00233	WASHER, FLAT, .25 IN	26
8	E00449	GROMMET	6
9	C00284	SCREW, 10-32 X .375 GROUND	2
10	B11150	GROUND WIRE, GALAXY	2
11	G00537	VACUUM, 82 IN, 115 V, 5.7 IN	1
12	J00657	HOSE CLAMP, 2 IN SLDPRT	1
13	J00618	VACUUM HOSE, 2 IN GREY, WIRE, 4 IN LG	1
14	C00254	LOCK WASHER, 1-4 IN SPLIT	1
15	C00261	NUT, .25-20, HEX	10
16	D11134	VAC PLATE	1
17	C11189	SCREW, 1-4 X 20 X 4.5IN, HEX	5
18	C11516	SCREW, 1-4 X 20 X 4.5IN, FLAT HEAD, PHILLIPS	1
19	C02312	LOCKWASHER, .25 IN, INTERNAL STAR	1
20	G11314-2	PRESSURE REGULATOR, 180 PSI	1
21	A00060	3-8 BARB X 1-4 MP, BRASS	1
22	A00052	.25 X .375 M-F 90 DEG, BRASS	3
23	A00161	TEE, .25 FP, BRASS	1
24	A00111	NIPPLE, .25 IN	2
25	A00121	FITTING, .25 MP X .25 FP, BRASS	1
26	C11244	WASHER, .56 X 1.5 X .05	2
27	A00104	QD, 1-4M X 1-4FP, BRASS	1
28	A00097A	CAP, INLINE FILTER	1
29	A00094E	CHECKVALVE, NO STRAINER	1
30	A00094C	CHECK VALVE BODY	1
31	C02291	HEATER PLATE HEX	4
32	D010379	HEATER MOUNTING PLATE	1
33	K10691	PVC PIPE, .25IN	4
34	A00061	3-8 BARB X 1-4RP, BRASS	1
35	H02564-2	LABEL, CAUTION, MOTOR HOUSING	1
36	C11165	SCREW, #8 X 1 IN, PAN, BLACK	4
37	F11790	HEATER, TUNNEL COVER, BLUE GRANITE	1
38	B11779	STUB, 12-3 SJTW, YELLOW	1
39	C00293	#8 X .5 IN PAN, BLACK SMS, PHILLIPS	2
40	B00192	MOUNT, NYLON TIE	1
41	B11606	STRAIN RELIEF, PIGTAIL	1
42	K10510	PLUG, 1.25 IN, BLACK	1
43	H03545	COVER, SERIAL # LABEL	1
44	H00565-5	LABEL, SERIAL NUMBER	1
45	C02305	CAP NUT, .5 IN PUSH- ON	2
46	C00240	WASHER, SHOULDER, NYLON	2
47	G11767	WHEEL, 10 IN	2
48	D11170	AXLE	1
49	F11789	BASE	1
50	C02310	HEX BOLT, 1/4 X 20 X 1 1/4"	8
51	G03518	CASTER, 4 IN	2
52	J00613B	SOLUTION HOSE, .375 IN, BLACK	1
53	J11508	SCREW CLAMP #6, .43 TO .875 IN	8
54	A00054	ELBOW, 90, .375 MP X .375B, NYLON	2
55	B00191	NYLON TIE, 11 IN BLACK	4
56	B00190	NYLON TIE, 4 IN	13
57	G13132	PUMP, ADJUSTABLE PRESSURE 50 - 200 PSI	1
58	D11835M-1	PUMP PLATE	1
59	J00613B	SOLUTION HOSE, .375 X 26 IN, BLACK	1
60	J11154	SOLUTION HOSE, .375 X 10 IN, WIRE REINFORCED	1
61	A11243	TEE, .375B X .375B X .375B, NYLON	1
62	J11154	SOLUTION HOSE, .375 X 6 IN, WIRE REINFORCED	1
63	J00618	VACUUM HOSE, 2 IN GREY, WIRE, 7 IN LG	1
64	E11169	GASKET, VAC MOTOR, GALAXY	2
65	B00179-2	CLOSED END CNTR, 16-3	1
66	B00179-1	CLOSED END CNTR, 16-3	3



1-888-722-5508