

Instructions for Use - Original Instructions
Instrucciones de Uso
Instructions d'Utilisation
Instruções de Uso

Model: 9087352020 - 9087353020

TABLE OF CONTENTS

INTRODUCTION	2
MANUAL PURPOSE AND CONTENTS	2
TARGET	2
HOW TO KEEP THIS MANUAL	2
IDENTIFICATION DATA	2
OTHER REFERENCE MANUALS	2
SPARE PARTS AND MAINTENANCE	2
CHANGES AND IMPROVEMENTS	2
OPERATION CAPABILITIES	3
CONVENTIONS	3
UNPACKING/DELIVERY	3
SAFETY	3
VISIBLE SYMBOLS ON THE MACHINE	3
SYMBOLS THAT APPEAR ON THIS MANUAL	4
GENERAL INSTRUCTIONS	4
MACHINE DESCRIPTION	6
MACHINE STRUCTURE	6
CONTROL PANEL	8
ACCESSORIES/OPTIONS	9
TECHNICAL DATA	9
WIRING DIAGRAM	10
USE	11
BATTERY CHECK/SETTING ON A NEW MACHINE	11
BATTERY INSTALLATION	11
BEFORE MACHINE START-UP	12
MACHINE START AND STOP	14
MACHINE OPERATION (SCRUBBING/DRYING)	14
TANK EMPTYING	17
AFTER USING THE MACHINE	17
MACHINE LONG INACTIVITY	17
MAINTENANCE	18
SCHEDULED MAINTENANCE TABLE	18
BATTERY CHARGING	19
SUPER USER KEY (YELLOW)	20
SQUEEGEE CLEANING	22
SQUEEGEE BLADE CHECK AND REPLACEMENT	22
CLEANING THE BRUSH	23
RECOVERY TANK CLEANING	23
WASHING WATER FILTER CLEANING	24
MACHINE TRACKING ADJUSTMENT	24
ECOFLEX™ DETERGENT TANK CLEANING	25
DRAINING THE ECOFLEX™ SYSTEM	25
FUSE CHECK/REPLACEMENT	26
TROUBLESHOOTING	26
SCRAPPING	27

INTRODUCTION

**NOTE**

The numbers in brackets refer to the components shown in Machine Description chapter.

MANUAL PURPOSE AND CONTENTS

The purpose of this Manual is to provide the operator with all necessary information to use the machine properly, in a safe and autonomous way. It contains information about technical data, safety, operation, storage, maintenance, spare parts and disposal. Before performing any procedure on the machine, the operators and qualified technicians must read this Manual carefully. Contact Advance in case of doubts concerning the interpretation of the instructions and for any further information.

TARGET

This Manual is intended for operators and technicians qualified to perform the machine maintenance.

The operators must not perform procedures reserved for qualified technicians. Advance will not be answerable for damages coming from the non-observance of this prohibition.

HOW TO KEEP THIS MANUAL

The Instructions for use Manual must be kept near the machine, inside an adequate case, away from liquids and other substances that can cause damage to it.

IDENTIFICATION DATA

The machine serial number and model name are marked on the plate (4).

Product number and year of production are marked on the same plate.

This information is useful when requiring machine spare parts. Use the following table to write down the machine identification data.

MACHINE model
PRODUCT code
MACHINE serial number

OTHER REFERENCE MANUALS

- Electronic battery charger Manual, to be considered as integral part of this Manual
- Spare Parts List (supplied with the machine)
- Service Manual (that can be consulted at Advance Service Centers)

SPARE PARTS AND MAINTENANCE

All necessary operating, maintenance and repair procedures must be performed by qualified personnel or by Advance Service Centers. Only original spare parts and accessories must be used.

Contact Advance for service or to order spare parts and accessories, specifying the machine model, product code and serial number.

CHANGES AND IMPROVEMENTS

Advance constantly improves its products and reserves the right to make changes and improvements at its discretion without being obliged to apply such benefits to the machines that were previously sold.

Any change and/or addition of accessories must be approved and performed by Advance.

OPERATION CAPABILITIES

The SC500 scrubber-dryer is used to clean (scrubbing and drying) smooth and solid floors, in civil or industrial environment, under safe operation conditions by a qualified operator.

The scrubber-dryer cannot be used for fitted carpet and carpet cleaning.

CONVENTIONS

Forward, backward, front, rear, left or right are intended with reference to the operator's position, that is to say in driving position with the hands on the handlebar (1).

UNPACKING/DELIVERY

To unpack the machine, carefully follow the instructions on the packing.

When the machine is delivered, check that the packing and the machine were not damaged during transportation.

In case of visible damages, keep the packing and have it checked by the carrier that delivered it. Call the carrier immediately to fill in a damage claim.

Please check that the following items have been supplied with the machine:

- Technical documents:
 - Scrubber-dryer Instructions for use Manual
 - Battery Charger Manual
 - Scrubber-dryer Spare Parts List



WARNING!

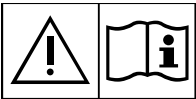
The Products sold with this Manual contain or may contain chemicals that are known to certain governments (such as the State of California, as identified in its Proposition 65 Regulatory Warning Law) to cause cancer, birth defects or other reproductive harm. In certain locations (including the State of California) purchasers of these Products that place them in service at an employment job site or a publicly accessible space are required by regulation to make certain notices, warnings or disclosures regarding the chemicals that are or may be contained in the Products at or about such work sites. It is the purchaser's responsibility to know the content of, and to comply with, any laws and regulations relating to the use of these Products in such environments. The Manufacturer disclaims any responsibility to advise purchasers of any specific requirements that may be applicable to the use of the Products in such environments.

SAFETY

The following symbols indicate potentially dangerous situations. Always read this information carefully and take all necessary precautions to safeguard people and property.

The operator's cooperation is essential in order to prevent injury. No accident prevention program is effective without the total cooperation of the person responsible for the machine operation. Most of the accidents that may occur in a factory, while working or moving around, are caused by failure to comply with the simplest rules for exercising prudence. A careful and prudent operator is the best guarantee against accidents and is essential for successful completion of any prevention program.

VISIBLE SYMBOLS ON THE MACHINE



WARNING!

Carefully read all the instructions before performing any operation on the machine.



WARNING!

Do not wash the machine with direct or pressurized water jets.



WARNING!

Do not use the machine on slopes with a gradient exceeding the specifications.

SYMBOLS THAT APPEAR ON THIS MANUAL



DANGER!

It indicates a dangerous situation with risk of death for the operator.



WARNING!

It indicates a potential risk of injury for people.



CAUTION!

It indicates a caution or a remark related to important or useful functions. Pay careful attention to the paragraphs marked by this symbol.



NOTE

It indicates a remark related to important or useful functions.



CONSULTATION

It indicates the necessity to refer to the Instructions for use Manual before performing any procedure.

GENERAL INSTRUCTIONS

Specific warnings and cautions to inform about potential damages to people and machine are shown below.



DANGER!

- *Before performing any maintenance, repair, cleaning or replacement procedure, remove the ignition key and disconnect the battery connector.*
- *This machine must be used by properly trained operators only.*
- *Do not wear jewels when working near electrical components.*
- *Do not work under the lifted machine without supporting it with safety stands.*
- *Do not operate the machine near toxic, dangerous, flammable and/or explosive powders, liquids or vapors: This machine is not suitable for collecting dangerous powders.*
- *When using lead (WET) batteries, keep sparks, flames and smoking materials away from the batteries. During the normal operation explosive gases are released.*
- *When using lead (WET) batteries, battery charging produces highly explosive hydrogen gas. During battery charging, lift the recovery tank and perform this procedure in well-ventilated areas and away from naked flames.*



WARNING!

- *Carefully read all the instructions before performing any maintenance/repair procedure.*
- *The machine ignition key has a built-in magnet. Do not place objects having magnetic bands (such as credit cards, electronic keys, phone cards) near the key. The built-in magnet can damage or erase the data stored on the magnetic bands.*
- *Before using the battery charger, ensure that frequency and voltage values, indicated on the machine serial number plate, match the electrical mains voltage.*
- *Do not pull or carry the machine by the battery charger cable and never use the battery charger cable as a handle. Do not close a door on the battery charger cable, or pull the battery charger cable around sharp edges or corners. Do not run the machine on the battery charger cable.*
- *Keep the battery charger cable away from heated surfaces.*
- *Do not charge the batteries if the battery charger cable or the plug are damaged.*
- *To reduce the risk of fire, electric shock, or injury, do not leave the machine unattended when it is plugged in. Before performing any maintenance procedure, disconnect the battery charger cable from the electrical mains.*
- *Do not smoke while charging the batteries.*
- *To avoid any unauthorized use of the machine, remove the ignition key.*
- *Do not leave the machine unattended without being sure that it cannot move independently.*

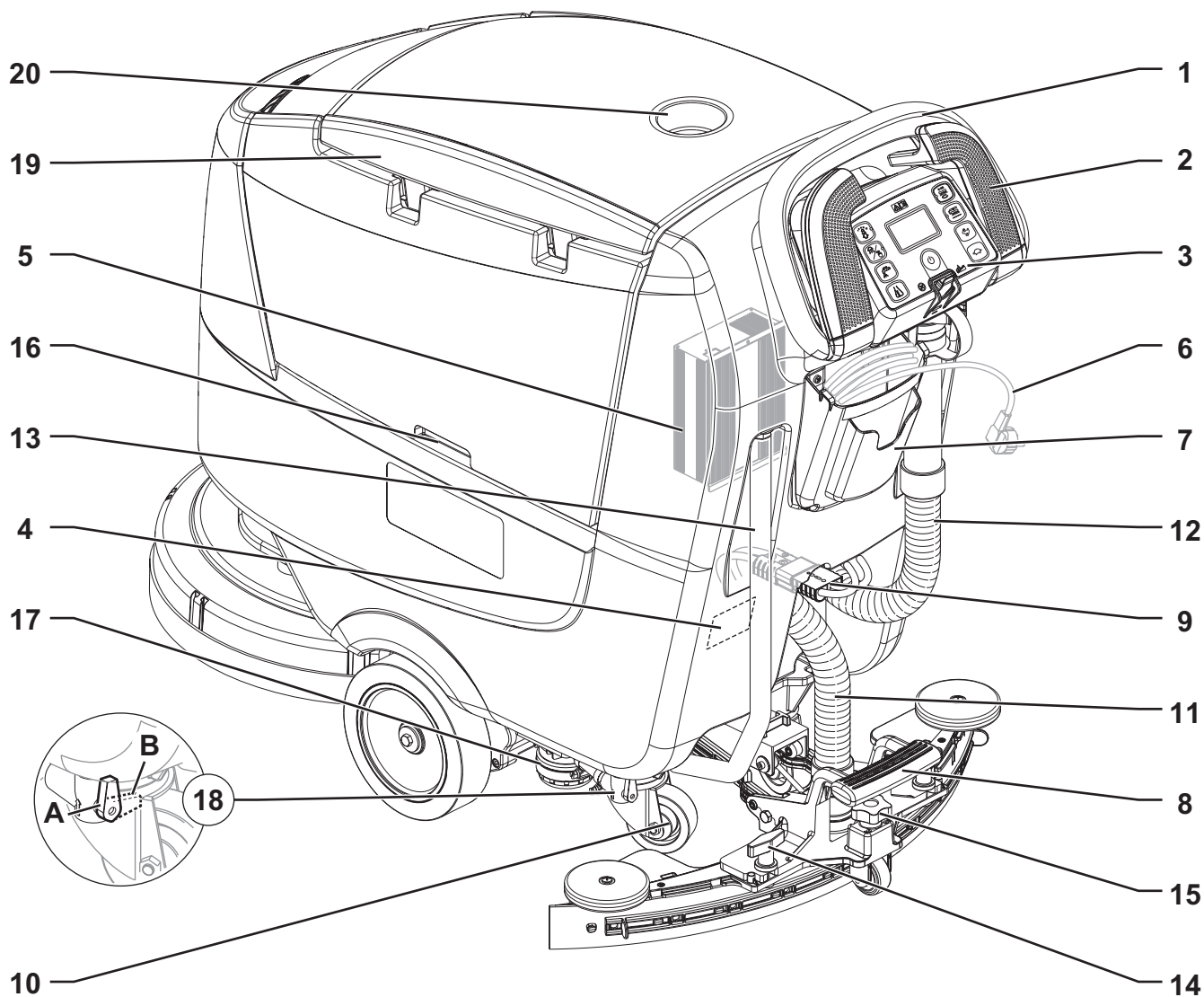
**WARNING!**

- *Always protect the machine against the sun, rain and bad weather, both under operation and inactivity condition. Store the machine indoors, in a dry place: This machine must be used in dry conditions, it must not be used or kept outdoors in wet conditions.*
- *Before using the machine, close all doors and/or covers as shown in the Instructions for use Manual.*
- *This machine is not intended for use by persons (including children) with reduced physical, sensory or mental capabilities, or lack of experience and knowledge, unless they have been given supervision or instruction concerning use of the machine by a person responsible for their safety. Children should be supervised to ensure that they do not play with the machine.*
- *Close attention is necessary when used near children. Use only as shown in this Manual. Use only Advance's recommended accessories.*
- *Check the machine carefully before each use, always check that all the components have been properly assembled before use. If the machine is not perfectly assembled it can cause damages to people and properties.*
- *Take all necessary precautions to prevent hair, jewels and loose clothes from being caught by the machine moving parts.*
- *Do not use the machine on incline.*
- *Do not tilt the machine more than the angle indicated on the machine itself, in order to prevent instability.*
- *Do not use the machine in particularly dusty areas.*
- *Use the machine only where a proper lighting is provided.*
- *While using this machine, take care not to cause damage to people or objects.*
- *Do not bump into shelves or scaffoldings, especially where there is a risk of falling objects.*
- *Do not lean liquid containers on the machine, use the relevant can holder.*
- *The machine operating temperature must be between +32 °F and 104 °F (0 °C and +40 °C).*
- *The machine storage temperature must be between +32 °F and 104 °F (0 °C and +40 °C).*
- *The humidity must be between 30 % and 95 %.*
- *When using floor cleaning detergents, follow the instructions on the labels of the detergent bottles.*
- *To handle floor cleaning detergents, wear suitable gloves and protections.*
- *Do not use the machine as a means of transport.*
- *Do not allow the brush/pad to operate while the machine is stationary to avoid damaging the floor.*
- *In case of fire, use a powder fire extinguisher, not a water one.*
- *Do not tamper with the machine safety guards and follow the ordinary maintenance instructions scrupulously.*
- *Do not allow any object to enter into the openings. Do not use the machine if the openings are clogged. Always keep the openings free from dust, hairs and any other foreign material which could reduce the air flow.*
- *Do not remove or modify the plates affixed to the machine.*
- *When the machine is to be pushed for service reasons (missing or discharged batteries, etc.), the speed must not exceed 2.5 mi/h (4 km/h).*
- *This machine cannot be used on roads or public streets.*
- *Pay attention during machine transportation when temperature is below freezing point. The water in the recovery tank or in the hoses could freeze and seriously damage the machine.*
- *Use brushes and pads supplied with the machine or those specified in the Instructions for use Manual. Using other brushes or pads could reduce safety.*
- *In case of machine malfunctions, ensure that these are not due to lack of maintenance. If necessary, request assistance from the authorised personnel or from an authorised Service Center.*
- *If parts must be replaced, require ORIGINAL spare parts from an Authorised Dealer or Retailer.*
- *To ensure machine proper and safe operation, the scheduled maintenance shown in the relevant chapter of this Manual, must be performed by the authorised personnel or by an authorised Service Center.*
- *Do not wash the machine with direct or pressurised water jets, or with corrosive substances.*
- *The machine must be disposed of properly, because of the presence of toxic-harmful materials (batteries, etc.), which are subject to standards that require disposal in special centres (see Scrapping chapter).*

MACHINE DESCRIPTION

MACHINE STRUCTURE

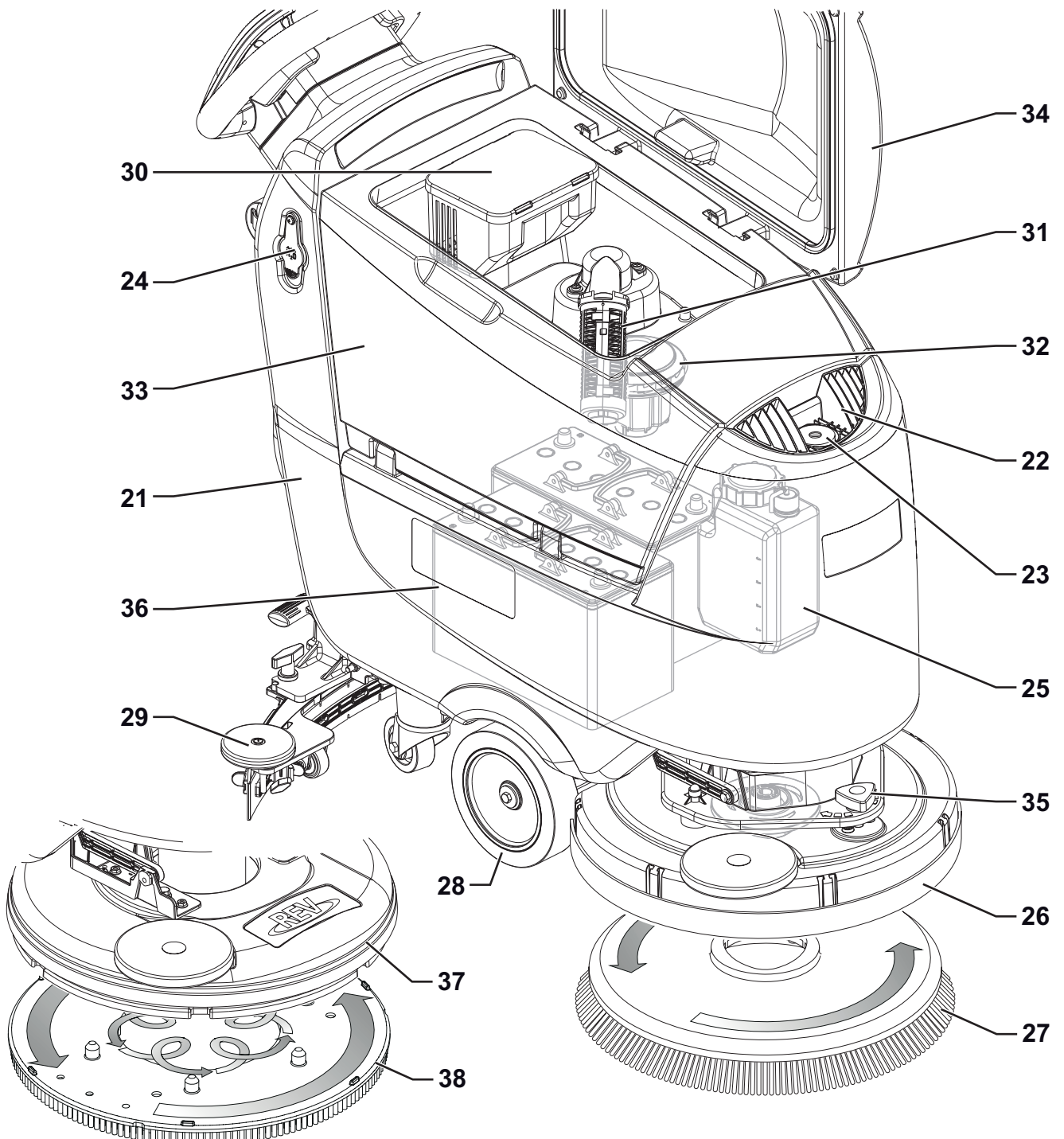
- | | |
|--|--|
| 1. Drive handlebar | 11. Squeegee vacuum hose |
| 2. Forward/reverse gear and activation paddle | 12. Recovery water drain hose |
| 3. Control panel | 13. Washing water level and drain hose |
| 4. Serial number plate/technical data/conformity certification | 14. Squeegee mounting handwheels |
| 5. Battery charger | 15. Squeegee adjusting knob |
| 6. Battery charger cable | 16. Tank lifting handle |
| 7. Battery charger cable housing and document holder | 17. Washing water filter |
| 8. Squeegee lifting/lowering pedal | 18. Washing water tap:
A) Open tap
B) Closed tap |
| 9. Battery connector (red).
This connector also works as EMERGENCY push-button,
to stop immediately all functions. | 19. Recovery tank cover |
| 10. Rear pivoting wheels | 20. Can holder |



P100837

MACHINE STRUCTURE (Continues)

- | | |
|--|--|
| 21. Washing water tank | 30. Debris collection tank |
| 22. Washing water tank front filler | 31. Vacuum grid with automatic shut-off float |
| 23. Water removable filler hose | 32. Vacuum system motor |
| 24. Washing water tank side filler cap | 33. Recovery tank |
| 25. EcoFlex™ detergent tank | 34. Recovery water tank cover (open) |
| 26. Disc brush deck | 35. Machine straight forward movement adjusting knob |
| 27. Brush | 36. Batteries (optional) |
| 28. Front driving wheels | 37. REV™ deck (*) |
| 29. Squeegee | 38. REV™ brush (*) |
- (*) For REV™ version only



P100854

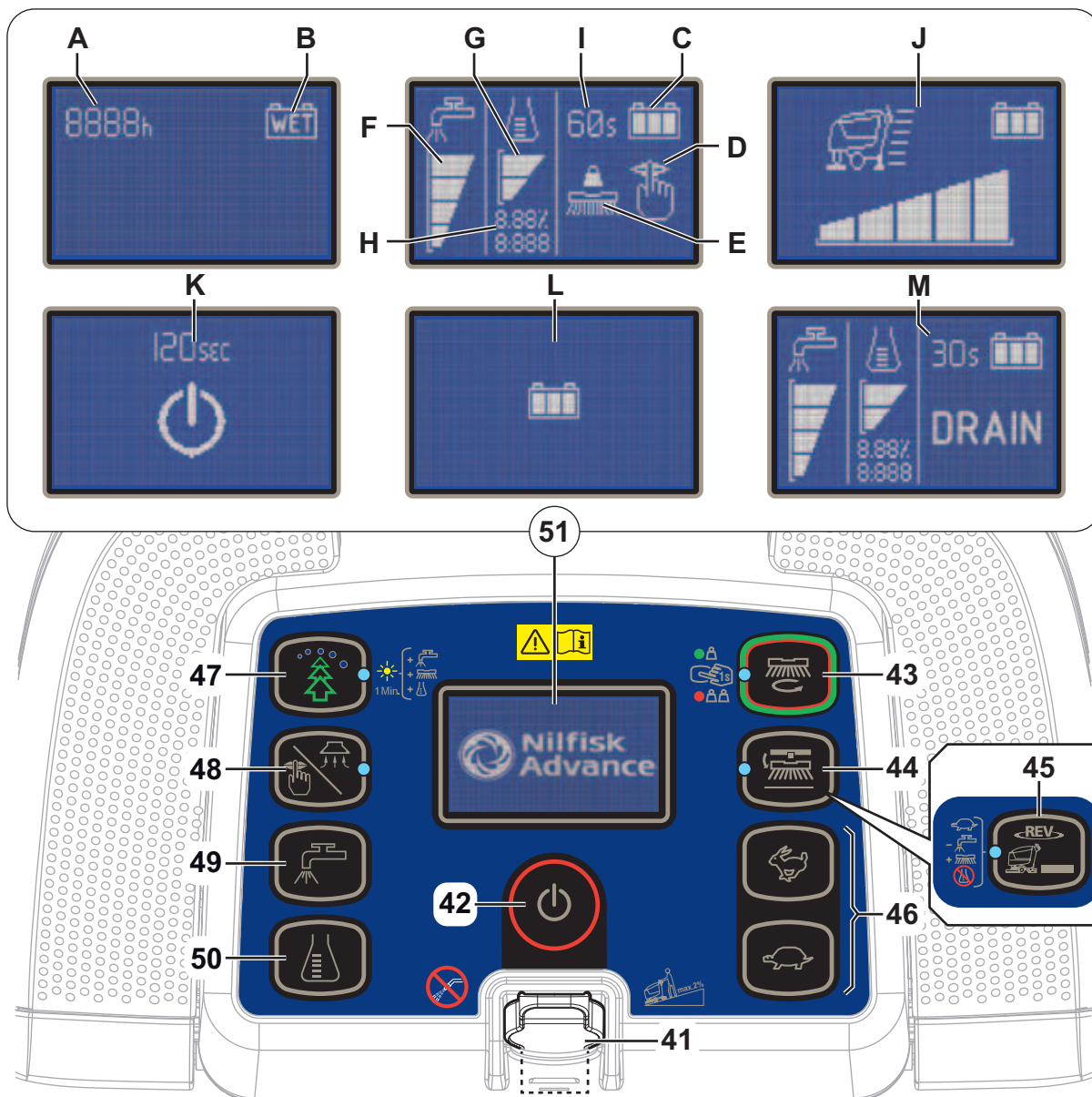
CONTROL PANEL

- 41. Machine ignition key
 - Operator key (grey)
 - Super User key (yellow) (see Maintenance chapter)
- 42. Machine start/stop push-button
- 43. One-Touch™ Scrub ON/OFF push-button
 - Flashing green LED: Brush deck moving up/down
 - Green LED: Ready for work
 - Red LED: Extra pressure active (hold for one second)
- 44. Brush release push-button
 - Flashing LED - Releasing system activated
- 45. REV™ function push-button (*)
 - LED on - system activated
- 46. Machine speed adjustment push-buttons
 - Hare - Increase machine speed
 - Tortoise - Decrease machine speed
- 47. EcoFlex™ system push-button
 - LED on - EcoFlex™ system on
 - Led flashing - Temporary override
- 48. Vacuum system adjustment/deactivation push-button
 - LED on - solution flow activated
- 49. Detergent flow adjustment push-button
- 50. Detergent percentage adjustment push-button
- 51. Multifunction display

Items displayed:

 - A) Hours worked
 - B) Battery type
 - C) Battery charge level
 - D) Vacuum mode
 - E) Brush work mode
 - F) Detergent solution flow quantity
 - G) Detergent percentage quantity
 - H) Percentages of detergent in the washing water
 - I) EcoFlex™ system override timer
 - J) Maximum machine speed setting
 - K) Auto shut-off timer
 - L) Battery charging with on-board battery charger
 - M) EcoFlex™ system drain activation

(*) For REV™ version only



ACCESSORIES/OPTIONS

In addition to the standard components, the machine can be equipped with the following accessories/options, according to the machine specific use:

- GEL/AGM batteries
- Splash-shield
- Brushes of different materials
- Natural rubber squeegee blades
- Pads of different materials

For further information concerning the optional accessories, contact an authorised Retailer.

TECHNICAL DATA

Model	Advance SC500 20 B	Advance SC500 20R B
Washing water tank capacity	12 US gal (45 liters)	
Recovery tank capacity	12 US gal (45 liters)	
Machine length	50.3 in (1,277 mm)	51.2 in (1,302 mm)
Machine width with squeegee	28.3 in (720 mm)	
Machine width without squeegee	21 in (532 mm)	21.2 in (538 mm)
Machine height	41.8 in (1,063 mm)	
Cleaning width	20 in (530 mm)	
Driving wheel diameter	7.8 in (200 mm)	
Driving wheel specific pressure on the floor	101 psi (0.7 N/mm ²)	
Rear wheel diameter	3.1 in (80 mm)	
Rear wheel specific pressure on the floor	304 psi (2.1 N/mm ²)	
Brush/pad diameter	20 in (530 / 508 mm)	
Brush pressure with extra-pressure function turned off	33 lb (15 kg)	49 lb (22 kg)
Brush pressure with extra-pressure function turned on	66 lb (30 kg)	66 lb (30 kg)
Solution flow values	0.75 cl/m / 1.5 cl/m 3.0 cl/m / 2.8 l/min	0.38 cl/m / 0.75 cl/m 1.5 cl/m / 2.8 l/min
EcoFlex™ system detergent percentage	Ratio 1:500 ÷ 1:33 (0.25 % ÷ 3 %)	
Sound pressure level at workstation (ISO 11201, ISO 4871, EN 60335-2-72) (LpA)	63 ± 3 dB(A)	65 ± 3 dB(A)
Sound pressure level at workstation in silent mode (LpA)	60 ± 3 dB(A)	61 ± 3 dB(A)
Machine sound power level (ISO 3744, ISO 4871, EN 60335-2-72) (LwA)	81 dB(A)	83 dB(A)
Vibration level at the operator's arms (ISO 5349-1, EN 60335-2-72)	< 98.4 in/s ² (< 2.5 m/s ²)	
Maximum gradient when working	2 %	
Drive system motor power	0.27 hp (200 W)	
Drive speed (variable)	0 - 3.1 mi/h (0 - 5 km/h)	
Vacuum system motor power	0.37 hp (280 W)	
Vacuum system circuit capacity	29.9 in H ₂ O (760 mm H ₂ O)	
Brush motor power	0.6 hp (450 W)	0.9 HP (670 W)
Brush rotation speed	155 rpm	-
Total absorbed power (*)	0.7 hp (500 W)	
IP protection class	X4	
Protection class (electric)	III (I for the battery charger)	
Battery compartment size	13.7x13.7x10.2 in (350x350x260 mm)	
System voltage	24 V	
Standard batteries (2)	12 V 105 AhC5	
Battery charger	24 V 13 A	
Operating time (standard batteries) (*)	3.5 hour	
Weight without batteries and with empty tanks	187 lb (85 kg)	194 lb (88 kg)
Gross vehicle weight (GVW)	456 lb (207 kg)	463 lb (210 kg)
Shipping weight	256 lb (116 kg)	262 lb (119 kg)

(*) Values reflect standard operating conditions (EN 60335-2-72)

WIRING DIAGRAM

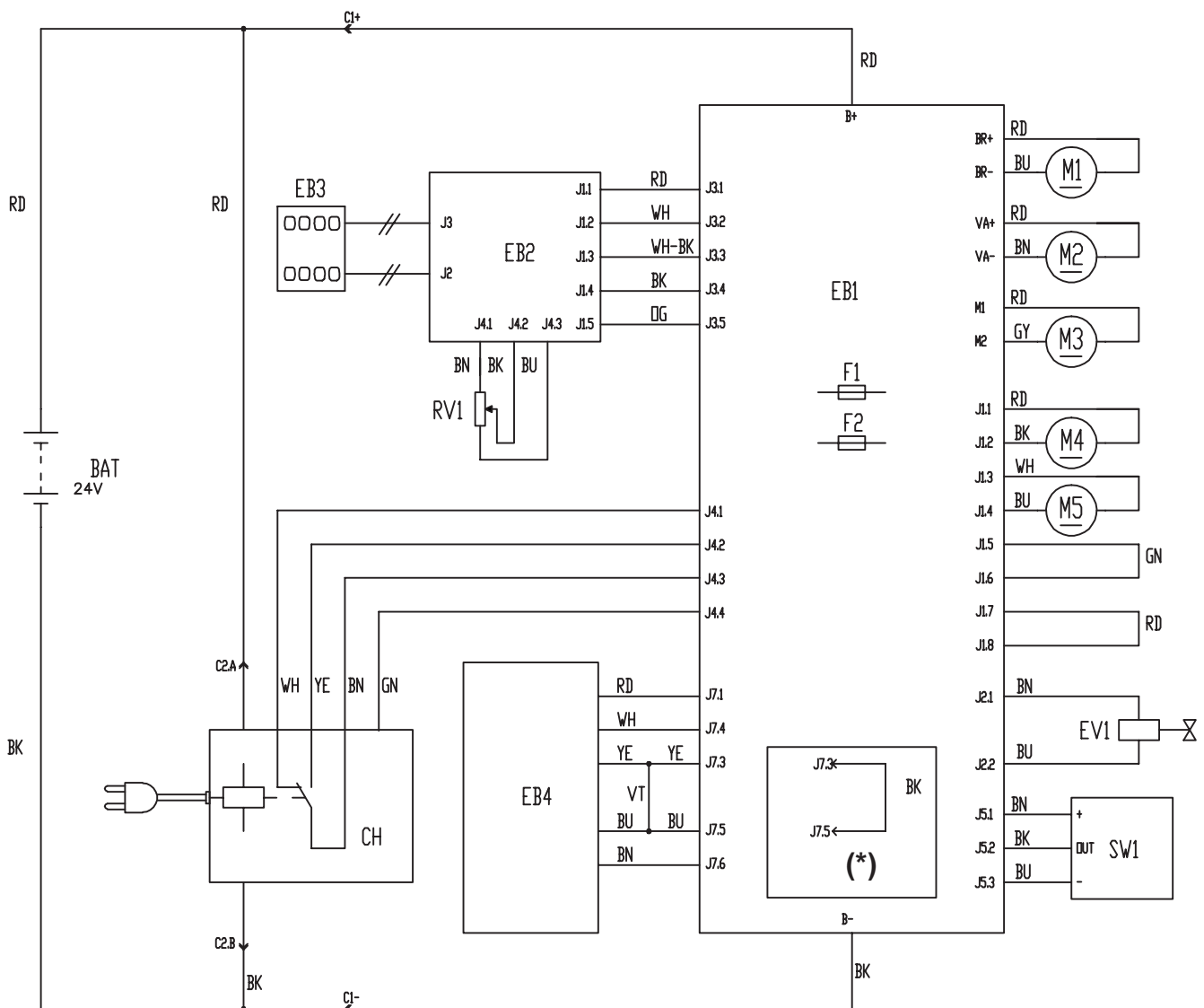
Key

BAT	24 V batteries
C1	Battery connector
C2	Battery charger main connector
C3	Battery charger sub-connector
CH	Battery charger
EB1	Function board
EB2	Display board
EB3	Dashboard instrument board
EB4	TrackClean (optional)
EV1	Solenoid valve
F1	Function board fuse
F2	Signal circuit fuse
M1	Brush motor
M2	Vacuum system motor
M3	Drive system motor
M4	EcoFlex™ pump
M5	Brush deck actuator
RV1	Speed potentiometer
SW1	Detergent level sensor

Color codes

BK	Black
BU	Blue
BN	Brown
GN	Green
GY	Grey
OG	Orange
PK	Pink
RD	Red
VT	Violet
WH	White
YE	Yellow

(*) Version without TrackClean system



P100856

USE**WARNING!**

On some points of the machine there are some adhesive plates indicating:

- **DANGER**
- **WARNING**
- **CAUTION**
- **CONSULTATION**

While reading this Manual, the operator must pay particular attention to the symbols shown on the plates (see Visible Symbols On The Machine paragraph).

Do not cover these plates for any reason and immediately replace them if damaged.

BATTERY CHECK/SETTING ON A NEW MACHINE**WARNING!**

The electric components of the machine can be seriously damaged if the batteries are either improperly installed or connected. The batteries must be installed by qualified personnel only.

Set the machine according to the type of batteries used.

Check the batteries for damage before installation.

Disconnect the battery connector and the battery charger plug.

Handle the batteries with great care.

Install the battery terminal protection caps supplied with the machine.

The machine requires 2 12 V batteries, connected according to the diagram shown in Figure 1.

The machine can be supplied in one of the following modes:

Batteries already installed on the machine

1. Ensure that the battery connector (9) is connected.
2. When first using the machine with new batteries, perform a full charging cycle (see the procedure in Maintenance chapter).

Without batteries

1. Buy appropriate batteries (see "Technical Data" paragraph). For battery choice and installation, apply to qualified battery Retailers.
2. Set the machine according to the type of batteries installed as shown in the Super User key section of the Maintenance chapter.

BATTERY INSTALLATION**Battery Installation**

1. Remove the operator key (41).
2. Disconnect the battery connector (9).
3. Lift the cover (34) and check that the recovery tank (33) is empty; if not, empty it using the drain hose (12).
4. Close the cover (34).
5. Grasp the handle (16) and carefully lift the tank (33).
6. The machine is supplied with cables suitable to install 2 12 V batteries. Carefully lift the batteries up to the compartment, then install them correctly.
7. Route and install the battery cable as shown in Figure 1, then carefully tighten the nut on each battery terminal.
8. Connect the battery connector (9).
9. Grasp the handle (16) and carefully lower the tank (33).

Battery Charging

10. Fully charge the batteries (see the procedure in Maintenance chapter).

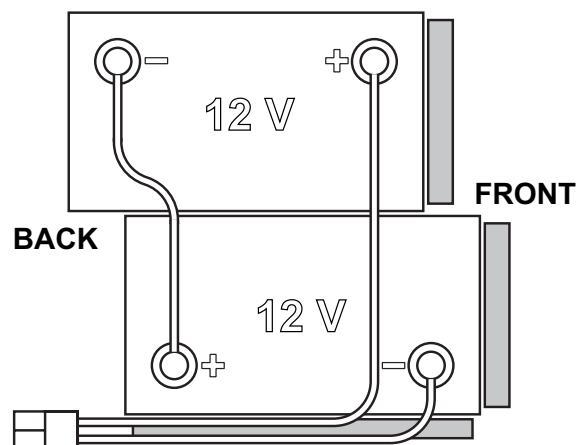


Figure 1

P100841

BEFORE MACHINE START-UP

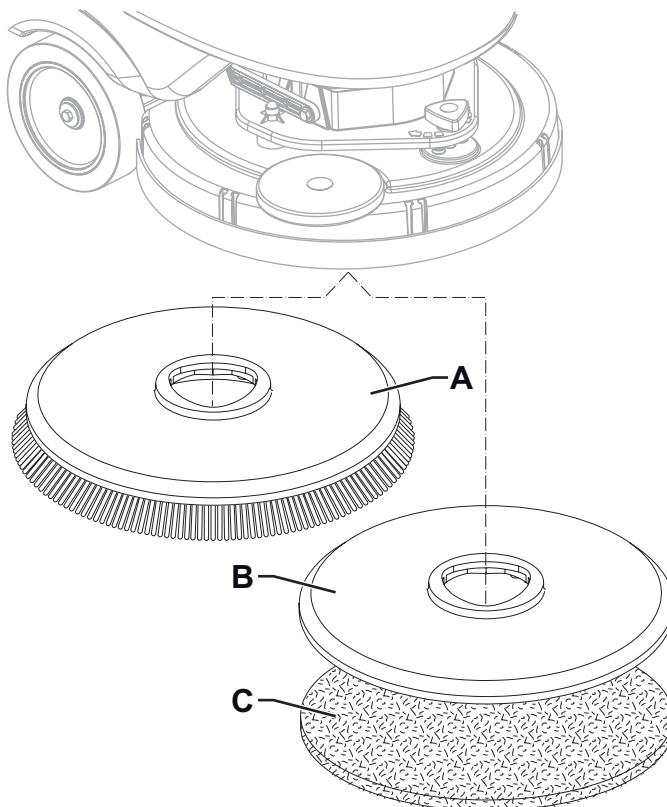


WARNING!

When starting the machine, or before operating the One-Touch™ push-button (43), make sure that there is no foreign material between the deck and the tank assembly which could obstruct the deck movement. If the machine has been turned off without lifting the deck, the deck would lift automatically at next machine start-up.

Brush or pad-holder removal/installation (Disc system)

1. According to the kind of cleaning to be performed, the machine can be equipped either with the brush (A, Fig. 2) or the pad-holder (B) with pad (C) together with the appropriate deck.
2. Insert the operator key (41) in its slot, on the control panel (3).
3. Press the turtle push-button (46) to reduce the driving speed to idle.
4. Place the brush (A) or the pad-holder (B) under the deck (26).
5. Press the push-button (43) to lower the deck on the brush.
6. To engage the brush, press the paddle (2), then release it. If necessary, repeat the procedure until the brush is engaged.



CAUTION!

Turn the machine speed to idle and slightly press the paddle, otherwise the machine starts to move.

7. To remove the brush, the deck must be lifted by pressing the push-button (43), then press the release push-button (44).



When the display shows the  icon (51), wait until the brush is lowered onto the floor.

Figure 2

P100842

Available brushes and their relevant application guides (suggestions only)

Models	46 GRIT	80 GRIT	180 GRIT	240 GRIT	500 GRIT	PROLENE	PROLITE	UNION MIX
General cleaning:								
Concrete								
Terrazzo floor								
Ceramic tiles/quarystones								
Marble								
Vinyl tiles								
Rubber tiles								
Polishing:								
Rubber tiles								
Marble								
Vinyl tiles								

Brush or pad-holder removal/installation (REV™ system)

1. Make sure that the REV™ deck (37) is lifted.
2. Turn off the machine and remove the operator key (41).
3. According to the kind of cleaning to be performed, install the pad (A, Fig. 3) or the brush (C, optional) and note the following:
 - Place the pad (A) under the deck and press it until it is fastened with the Velcro of the drive disc (B).
 - Place the brush (C, optional) under the deck, and then match the centering pins (D) to the respective holes of the drive disc (B), and then engage the brush with the three mounting screws (E).
4. To remove the pad or brush, proceed in the reverse order.

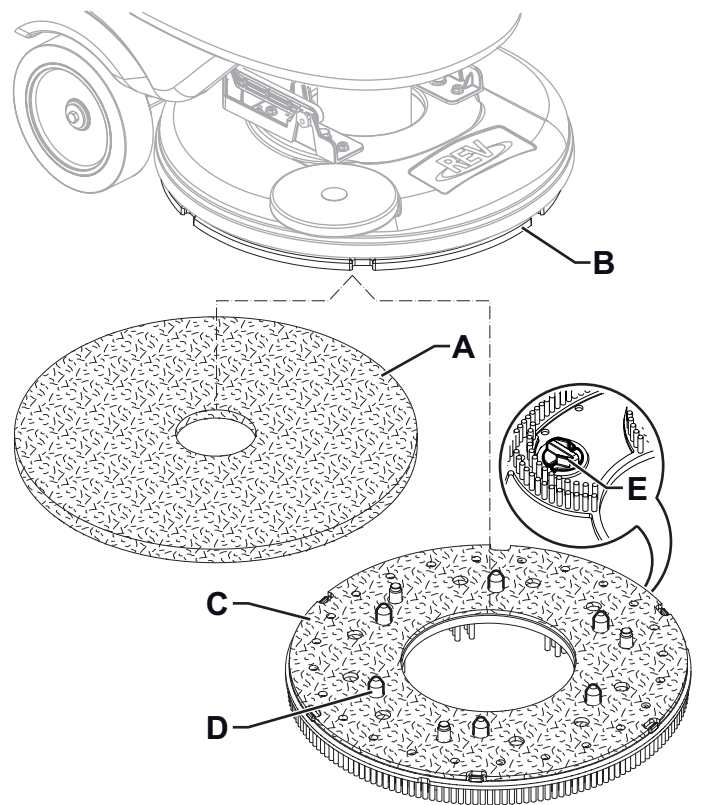


Figure 3

P100857

Squeegee installation

1. Install the squeegee (A, Fig. 4) and fasten it to the bracket (C) with the handwheels (B).
2. If necessary, adjust the squeegee with the knob (D) so that the rear blade (E) and front blade (F) touch the floor as shown in the figure.

Washing water tank filling

1. Ensure that the washing water valve (18) is open (18-A).
2. To fill the washing water tank (21) use the water removable filler hose (23) or the front filler (22), or open the cap (24) to access the side filler.
3. Fill the tank (21) with clean water.
Do not fill the tank completely, leave a few inches from the edge. Use the level hose (13) as reference.
The water temperature must not exceed 40 °C.

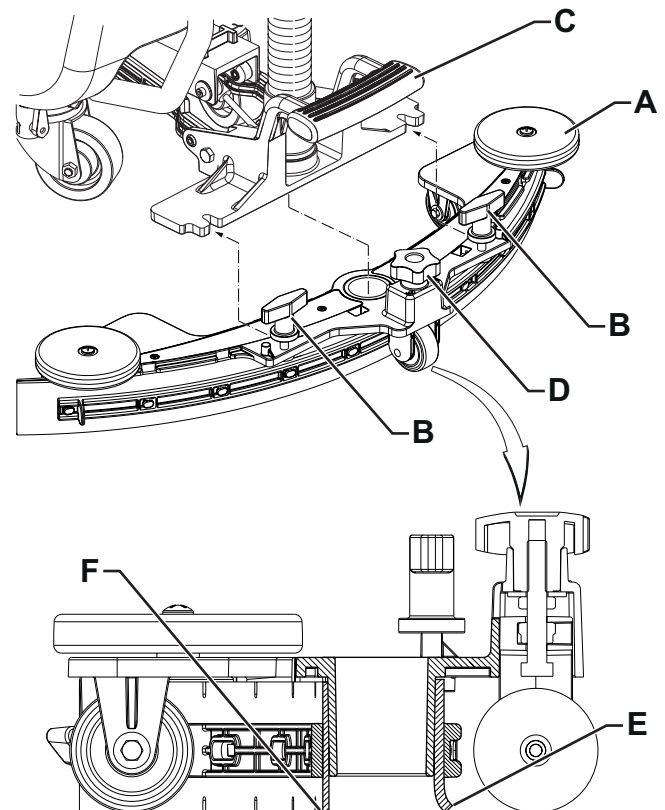


Figure 4

P100843

EcoFlex™ detergent tank filling**WARNING!**

*When using floor cleaning detergents, follow the instructions on the labels of the detergent bottles.
To handle floor cleaning detergents, wear suitable gloves and protections.*

4. Lift the cover (34) and check that the recovery tank (33) is empty; if not, empty it using the drain hose (12).
5. Close the cover (19).
6. Grasp the handle (16) and carefully lift the tank (33).
7. Fill the tank (25) with a detergent suitable for the work to be performed (highly concentrated detergent).
Do not fill the detergent tank completely, leave a few inches from the edge.

**CAUTION!**

Use only low-foam and non-flammable detergents, intended for automatic scrubber applications.

**NOTE**

To accelerate filling of the hoses and system operation (with a new system, if the system has been emptied for cleaning, etc.), it is a good idea to drain the EcoFlex™ system once or several times (see the procedure in the Maintenance chapter).

MACHINE START AND STOP**Starting the machine**

1. Prepare the machine as shown in the previous paragraph.
2. To turn on the machine, insert the operator key (41) in its slot on the control panel (3); if the key is already inserted, press the push-button (42).
3. In the first 2 seconds after machine start-up, the multifunction display (51) indicates the machine working hours (51-A) and the type of batteries installed (51-B).

**NOTE**

Check the battery charge level.

When the multifunction display shows at least one segment of the battery symbol (51-C) which is on but not flashing, the machine is ready for use.

When the battery symbol (51-C) shows just one segment flashing, the batteries have to be charged (see the procedure in Maintenance chapter).

4. Drive the machine to the area it is required by starting it with your hands on the handlebar (1) and pushing the paddle (2) forward to move forward, and backwards to move in reverse. The speed can be adjusted by pressing the paddle (2) more or less. The maximum speed can be set with the push-buttons (46).

Stopping the machine

5. Stop the machine by releasing the paddle (2).
6. Turn off the machine by pressing push-button (42), or by removing the operator key (41) from the control panel (3).

**NOTE**

If the machine is on but not working, it automatically turns off after 2 minutes.

7. Make sure that the machine cannot move independently.

**CAUTION!**

In the event of an emergency when you must stop all machine functions immediately, disconnect the battery connector (9).

Reset the machine functions by connecting again the connector.

MACHINE OPERATION (SCRUBBING/DRYING)

1. Start the machine as shown in the previous paragraph.
2. Lower the squeegee (29) with the pedal (8).
3. Press the One-Touch™ push-button (43) to lower the brush deck and start scrubbing and drying.
4. Start cleaning by manoeuvring the machine and pressing the paddle (2).
If necessary, adjust the maximum speed with the push-buttons (46).
5. Adjust the solution flow by pressing the push-button (49) as necessary, depending on the type of cleaning to be performed.



NOTE

For the first 3 flow levels (Fig. 4), the amount of solution dispensed is automatically adjusted according to the machine speed, in order to obtain a constant amount of solution per linear meter of cleaning.
 Level 4 (when enabled) supplies the maximum possible quantity of detergent solution, regardless of the machine speed (to enable or disable this, see the Super User key section in the Maintenance chapter).
 The level 0 closes the solution flow completely.

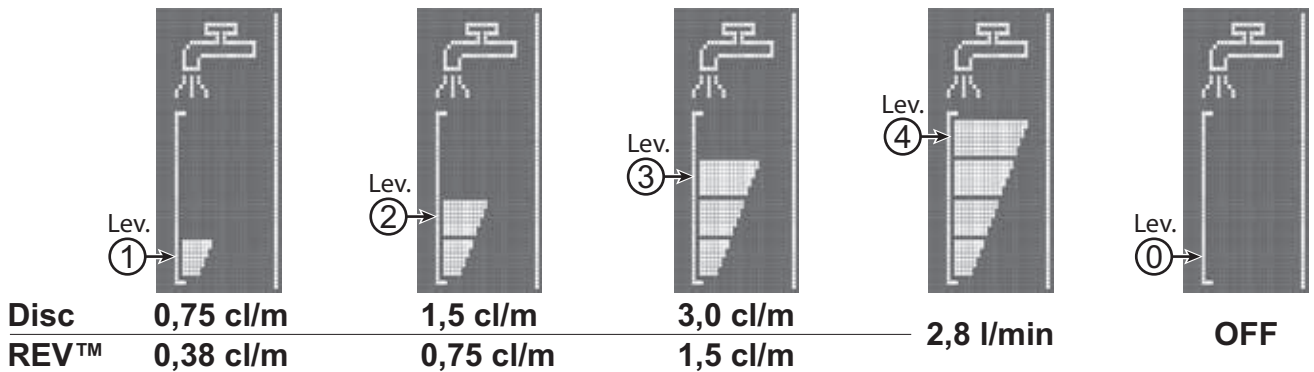


Figure 5

P100858

- If necessary, to reduce the noise, turn on the mute function by pressing the switch (48).



NOTE

For correct scrubbing/drying of floors at the sides of the walls, Advance suggests to go near the walls with the right side of the machine as shown in figure 6.

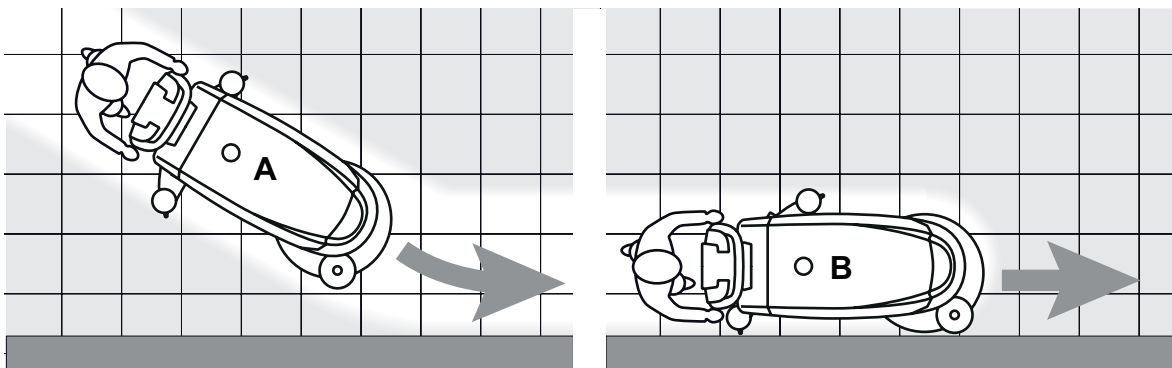


Figure 6

P100845



CAUTION!

To avoid any damage to the floor surface, turn off the brush when the machine is stationary, especially when the extra pressure function is on.

- At the end of the work, press the push-button (43) to lift the brush deck. After 10 seconds, the vacuum system turns off too.
- Lift the squeegee (29) with the pedal (8).

Adjusting of detergent concentration in the washing water

The system for mixing the detergent in the washing water is automatically activated when the brush is running. The percentage of detergent added to the washing water is set to level 1 (Fig. 7).

By pressing the push-button (50), it is possible to set the percentage level to 2, or reset it to level 0. The set percentages are shown on the multifunction display (51-H).

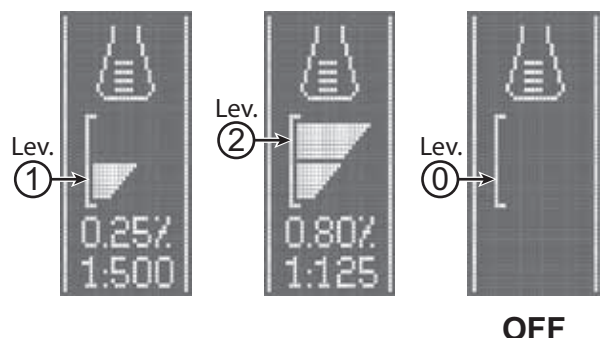


Figure 7

P100846

EcoFlex™ system

Press the EcoFlex™ push-button (47) when stronger washing power is needed temporarily.

With the EcoFlex™ system activated (LED flashing), increased solution flow, activation of the extra pressure of the brush and an increase in the solution detergent concentration (level 2 if the level was set to 1 - level 1 if the level was set to 0) is obtained.

Press the EcoFlex™ push-button (47) again, to restore the original settings (LED on).

**NOTE**

If the EcoFlex™ push-button (47) is not pressed again, the original settings are restored automatically after 60 seconds.

**NOTE**

All of the above solution flow and detergent concentration values are factory settings. To change these settings, see the Super User key section in the Maintenance chapter.

REV™ system (for REV™ version only)

Press the REV™ push-button (45) when a specific washing mode is required.


With the REV™ system activated the drive speed is decreased, the brush extra pressure is activated, the detergent is stopped and the washing water quantity is reduced.

Working with brush extra pressure function turned on

If the floor proves to be particularly difficult to clean, it is possible to turn on the brush extra pressure function, according to the following procedure:

1. Press the push-button (43) to lower the brush deck as shown in "Starting The Machine" paragraph.
2. Press and hold the push-button (43) for more than 1 second.



The extra pressure function activation is shown by LED which turns from green to red, and by the icon  on the display (51).

3. To return to normal pressure, press and hold the push-button (43) for more than 1 second.
4. To lift the brush deck without returning to the normal pressure, press the push-button (43) and release it immediately.

**CAUTION!**

In case of brush motor overload, due to foreign bodies which prevent them from turning, or to excessively aggressive floors/brushes, the safety system stops the brush after about one minute of continuous overload. If the overload takes place when the extra pressure function is on, the system automatically turns the extra pressure function off.

If the overload persists, the brush stops.

To start scrubbing again after a brush stop due to overload, turn off and then on the machine with the push-button (42).

Battery discharge during operation

When there is only one segment turned on and flashing on the battery symbol (51-C), it is advisable to charge the batteries, because the residual autonomy will last for a few minutes (depending on battery characteristics and work to be performed).

When the battery symbol (51-C) is flashing and no segment is turned on, the battery autonomy is over. After a few seconds, the brush is automatically tuned off, while the vacuum system and the drive system stay on, to finish drying the floor and drive the machine to the appointed recharging area.

**CAUTION!**

Do not use the machine with discharged batteries, to avoid damaging the batteries and reducing the battery life.

TANK EMPTYING

An automatic float shut-off system (31) turns off the vacuum system when the recovery tank (33) is full.

The vacuum system deactivation is signalled by a sudden increase in the vacuum system motor noise, and the floor is not dried.



CAUTION!

If the vacuum system turns off accidentally (for example, when the float is activated because of a sudden machine movement), to resume the operation: turn off the vacuum system by pressing the push-button (48), then open the cover (34) and check that the float inside the grid (31) has gone down. Then close the cover (34) and turn on the vacuum system by pressing the push-button (48).

When the recovery tank (33) is full, empty it according to the following procedure.

Recovery tank emptying

1. Raise the brush deck by pressing the push-button (43).
2. Lift the squeegee (29) with the pedal (8).
3. Drive the machine to the appointed disposal area.
4. Turn off the machine with the push-button (42) and remove the operator key (41).
5. Empty the recovery tank (33) with the drain hose (12). Then, rinse the tank with clean water.

Washing water tank emptying

6. Perform steps 1 to 4.
7. Empty the washing water tank (21) using the level hose (13). Then, rinse the tank with clean water.

AFTER USING THE MACHINE

After working, before leaving the machine:

1. Remove the brush as shown in the relevant paragraph.
2. Remove the operator key (41).
3. Empty the tanks (21) and (33) as shown in the relevant paragraphs.
4. Perform the daily maintenance procedures (see the Maintenance chapter).
5. Store the machine in a clean and dry place, with the brush and the squeegee lifted or removed.

MACHINE LONG INACTIVITY

If the machine is not going to be used for more than 30 days, proceed as follows:

1. Perform the procedures shown in After using the machine paragraph.
2. Empty the EcoFlex™ system detergent tank (25) and clean the system with a draining cycle (see the procedure in Maintenance chapter).
3. Close the washing water valve (18-B).
4. Disconnect the battery connector (9).

MAINTENANCE

The lifespan of the machine and its maximum operating safety are ensured by correct and regular maintenance. The following table provides the scheduled maintenance. The intervals shown may vary according to particular working conditions, which are to be defined by the person in charge of the maintenance.



WARNING!

The procedures must be performed with the machine off and the battery disconnected. Moreover, read carefully the instructions in the Safety chapter before performing any maintenance procedure.

All scheduled or extraordinary maintenance procedures must be performed by qualified personnel, or by an authorised Service Center.



CAUTION!



When the Service icon appears on the display (51), contact an authorised Advance Service Centre for scheduled maintenance.

This Manual describes only the simplest and most common maintenance procedures. For other maintenance procedures shown in the Scheduled Maintenance Table, refer to the Service Manual that can be consulted at any Service Center.

SCHEDULED MAINTENANCE TABLE

Procedure	Daily, after using the machine	Weekly	Every six months	Yearly
Battery Charging				
Squeegee Cleaning				
Brush/pad cleaning				
Recovery tank and debris tray cleaning, and cover gasket check				
EcoFlex™ system cleaning and draining				
Squeegee blade check				
Washing water filter cleaning				
Battery (WET) fluid level check				
Squeegee blade replacement				
Brush motor carbon brush check or replacement				(1)
Drive system motor carbon brush check or replacement				(1)
Brush deck vibration-damper replacement (only for REV™ version)				(1)

(1) This maintenance procedure must be performed by an authorised Advance Service Center.

BATTERY CHARGING**NOTE**

Charge the batteries when there is only one flashing segment displayed in the battery symbol (51-C), or at the end of the shift.

Keeping the batteries charged make their life last longer.

**CAUTION!**

When the batteries are discharged, charge them as soon as possible, as that condition makes their life shorter. Check for battery charge at least once a week.

**WARNING!**

When using lead (WET) batteries, battery charging produces highly explosive hydrogen gas. Charge the batteries in well-ventilated areas and away from naked flames.

Do not smoke while charging the batteries.

Keep the recovery tank raised until the battery charging cycle is over.

**WARNING!**

Pay close attention when charging WET CELL batteries, as there may be battery fluid leakages. The battery fluid is corrosive. If it comes in contact with skin or eyes, rinse thoroughly with water and consult a physician.

1. Drive the machine to the appointed recharging area.
2. Ensure that the machine is off and the operator key (41) has been removed.
3. Lift the cover (34) and check that the recovery tank (33) is empty; if not, empty it using the drain hose (12).
4. Close the cover (19).
5. Grasp the handle (16) and carefully lift the tank (33).
6. (For WET CELL batteries only) Check the level of electrolyte inside the batteries. If necessary, unscrew the caps and top up. When the correct level is restored, close the caps and clean the tops of the batteries.
7. Plug the battery charger (6) into the mains electricity supply (the mains voltage and frequency must be compatible with the battery charger values shown on the machine serial number plate).

**NOTE**

When the battery charger is connected to the electrical mains, all machine functions are automatically cut off.

When the first or second segment from the left in the battery symbol (51-L) is flashing, this means that the battery charger is charging the batteries.

When the third segment from the left in the battery symbol (51-L) is flashing, this means that the battery charger is finishing the battery charging cycle.

8. When all segments of the battery symbol (51-L) are steadily lit, the battery charging cycle is complete.
9. Disconnect the battery charger plug (6) from the mains and place it in its holder (7).
10. Carefully lower the recovery tank (33).
11. Now the machine is ready to be used.

**NOTE**

For further information about the operation of the battery charger (5), see the relevant Manual.

SUPER USER KEY (YELLOW)

The Super User (yellow) key allows you to check some additional information on some machine operating parameters and to adjust others to your specific requirements.

Main Screen (E, Fig. 8)

1. Insert the Super User (yellow) key in place of the operator (grey) key to access the main screen of the multifunction display (51).
2. Press push-button (A) to change the machine settings (see Machine Settings Screen section).
3. Press push-button (B) to check for any stored machine alarms (see Alarms Log Screen section).
4. Press push-button (C) to check the machine's hours of operation (see Operating Time Counter Screen section).
5. Press push-button (D) to exit service mode and return to operator mode.

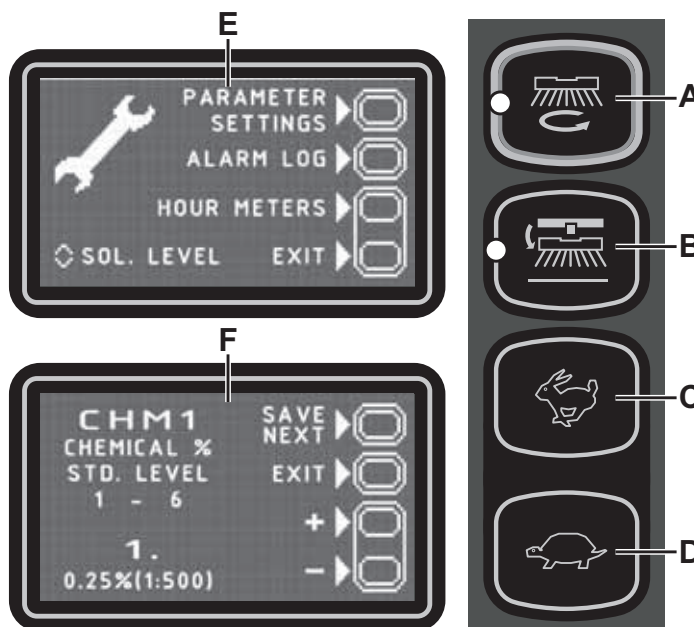


Figure 8

P100847

Machine Settings Screen (F, Fig. 8)

This function allows you to customise some parameters described in the following table.

1. Press push-button (C) to increase the value of the current parameter.
Press push-button (D) to decrease the value of the current parameter.
2. Press push-button (A) to move to the next parameter.
3. Press push-button (B) to return to the main screen.

TABLE OF MODIFIABLE PARAMETERS		Values			
Code	Description	Minimum	Factory Setting	Maximum	
CHM1	Detergent concentration level 1	1:500 (0.25 %)	1:500 (0.25 %)	1:33 (3 %)	
CHM2	Detergent concentration level 2	1:500 (0.25 %)	1:125 (0.80 %)	1:33 (3 %)	
P1/P3	Level 1 solution flow rate in relation to level 3 (flow rate as function of speed)	0 %	25 %	100 %	
P2/P3	Level 2 solution flow rate in relation to level 3 (flow rate as function of speed)	0 %	50 %	100 %	
P3	Level 3 solution flow rate (flow rate as function of speed)	DISC	1.0 cl/m	3.0 cl/m	5.0 cl/m
		REV™	1.0 cl/m	1.5 cl/m	5.0 cl/m
P4	Enablement of level 4 (2.8 l/min regardless of speed)	OFF	OFF	ON	
SPT	EcoFlex™ function timer	0 (disabled)	60 sec.	300 sec.	
XPRES	Brush deck extra pressure enablement	OFF	ON	ON	
FVMIN	Minimum forward speed	0 %	25 %	100 %	
FVMAX	Maximum forward speed	10 %	100 %	100 %	
RVMAX	Maximum reverse speed	10 %	30 %	50 %	
BAT (**)	Installed battery type (see table)	0	1	5	
TOFF	Automatic shut-off time	0 (disabled)	300 sec.	600 sec.	
BRGH	Display contrast	5	20	50	
VRID	Vacuum power in silent mode	1	1	5	
RPM (*)	Reduced brush rpm activation threshold	5	9	20	
RESET	Restore factory settings for all parameters	OFF	OFF	ON	

(*) Increase the value of this parameter to reduce the brush motor speed in a wider range of applications and vice versa.

(**) As described in the Use chapter, set the machine and the on-board battery charger on the basis of the type of battery to be installed by modifying the BAT parameter from the table below:

Installed battery type		Value
WET	Wet cell batteries	0
GEL / AGM	Generic GEL or AGM batteries	1
GEL EXIDE	GEL batteries or EXIDE®/SONNENSHINE brand	2
GEL OPTIMA	GEL batteries or OPTIMA™ brand	3
GEL DISCOVER	GEL batteries or DISCOVER® brand	4
GEL FULLRIVER	GEL batteries or FULLRIVER® brand	5

Alarms log screen (G, Fig. 9)

This function allows you to check for any stored alarms on the machine.

Use this function only with support from a Advance Service Centre to solve any operating problems.

To return to the main screen (E, Fig. 8), press push-button (A) repeatedly.



Figure 9

P100848

Operating Time Counter Screen (H, Fig. 10)

This function allows you to check the total accumulated hours of work for each machine subsystem:

- TOTAL counter (machine running time)
- DRIVE counter (drive system usage time)
- BRUSH counter (brush rotation system usage time)
- VACUUM counter (vacuum system usage time)

To return to the main screen (E, Fig. 8), press push-button (A).

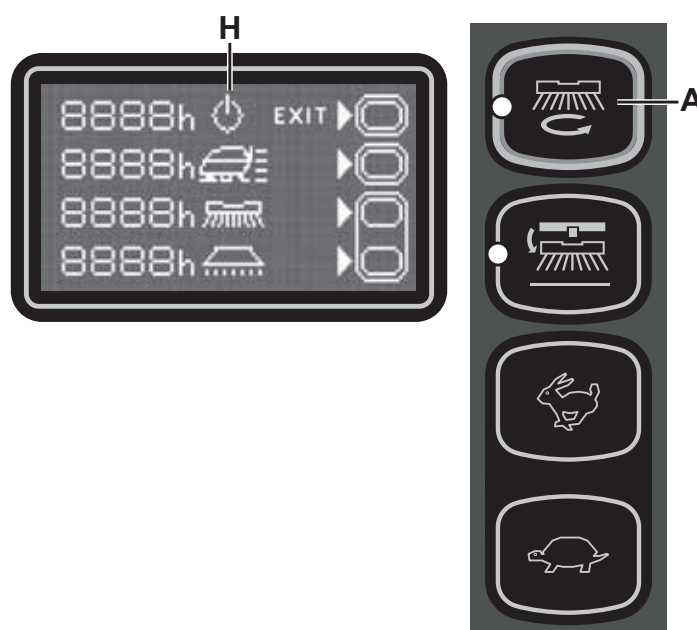


Figure 10

P100849

SQUEEGEE CLEANING



NOTE

The squeegee must be clean and its blades must be in good conditions in order to get a good drying.



CAUTION!

It is advisable to wear protective gloves when cleaning the squeegee because there may be sharp debris.

1. Drive the machine on a level floor.
2. Ensure that the machine is off and the operator key (41) has been removed.
3. Loosen the handwheels (14) and remove the squeegee (29).
4. Wash and clean the squeegee. In particular, clean the compartments (A, Fig. 11) and the vacuum hole (B). Check the condition of the front (C) and rear (D) blades, ensuring there are no cuts and tears; if necessary, replace them as shown below.
5. Install the squeegee in the reverse order of removal.

SQUEEGEE BLADE CHECK AND REPLACEMENT

1. Clean the squeegee as shown in the previous paragraph.
2. Check the condition of the front (C, Fig. 11) and rear (D) blades, ensuring there are no cuts and tears; if necessary, replace them as shown below. Check that the front corner (E) of the rear blade is not worn; otherwise, turn the blade to replace the worn corner with one of the three remaining intact corners. If the other corners are worn too, replace the blade according to the following procedure:
 - Using the tab (F), release and remove the elastic strap (G) from the fasteners (H), then turn or replace the rear blade (D).
 - Install the blade in the reverse order of removal.
 - Unscrew the handwheels (I) and remove the strap (J), then turn or replace the front blade (C).
 - Install the blade in the reverse order of removal.
3. Install the squeegee (27) and screw down the handwheels (14).
4. Lower the squeegee to the floor to check the height of the blades, proceeding as follows:
 - Check that the lip (K) of the front blade (C) and the lip (L) of the rear blade (D) are resting as shown in the figure.
 - Use the knob (15) to make adjustments.

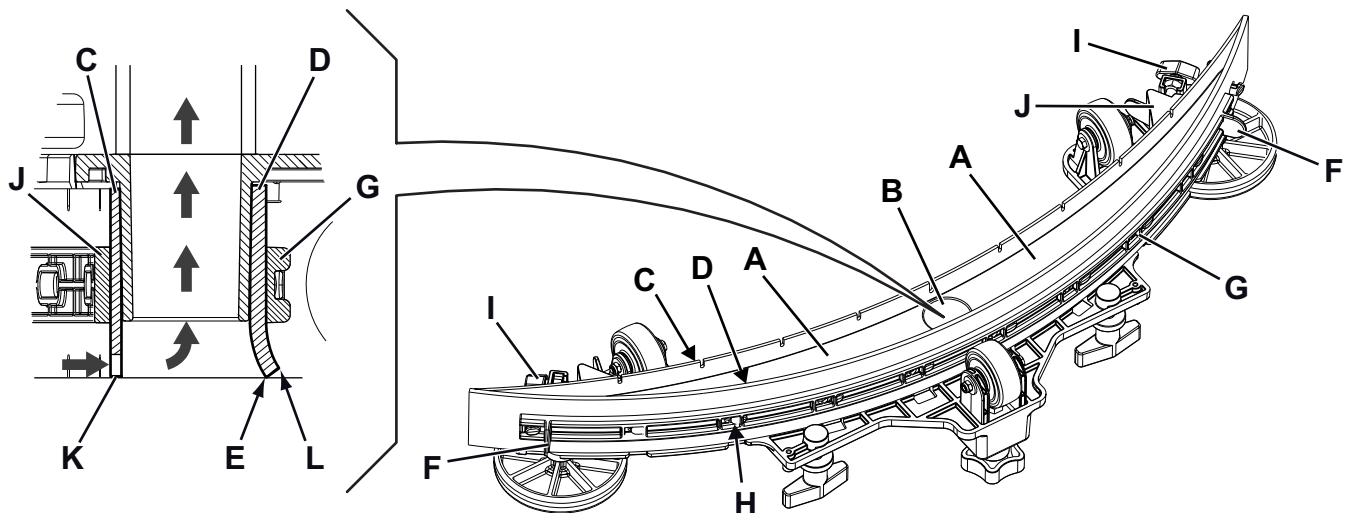


Figure 11

P100850

CLEANING THE BRUSH



CAUTION!

It is advisable to wear protective gloves when cleaning the brush because there may be sharp debris.

1. Remove the brush as shown in Use chapter.
2. Clean the brush with water and detergent.
3. Check the condition of the brush bristles, ensuring they are not excessively worn; if necessary, replace the brush.

RECOVERY TANK CLEANING

1. Drive the machine to the appointed disposal area.
2. Ensure that the machine is off and the operator key (41) has been removed.
3. Raise the cover (34).
4. Drain the water from the tank with the drain hose (12).
5. Clean the vacuum grid (31), release the fasteners (A, Fig. 12), open the grid (B) and recover the float (C) then clean it carefully and reinstall it.
6. Remove the debris collection tank (D) and open its cover, then clean it carefully and reinstall it on the vacuum hose.
7. Check the condition of the tank cover gasket (E).



NOTE

The gasket (E) allows the creation of a vacuum in the tank, which is necessary to suck up the recovery water.

If necessary, replace the gasket (E) by removing it from its housing (F). When fitting the new gasket, position the joint (G) in the area shown in the figure.

8. Check that the seating surface (H) of the gasket (E) is in good condition, clean and suitable to form a seal with the gasket itself.
9. Close the cover (19).

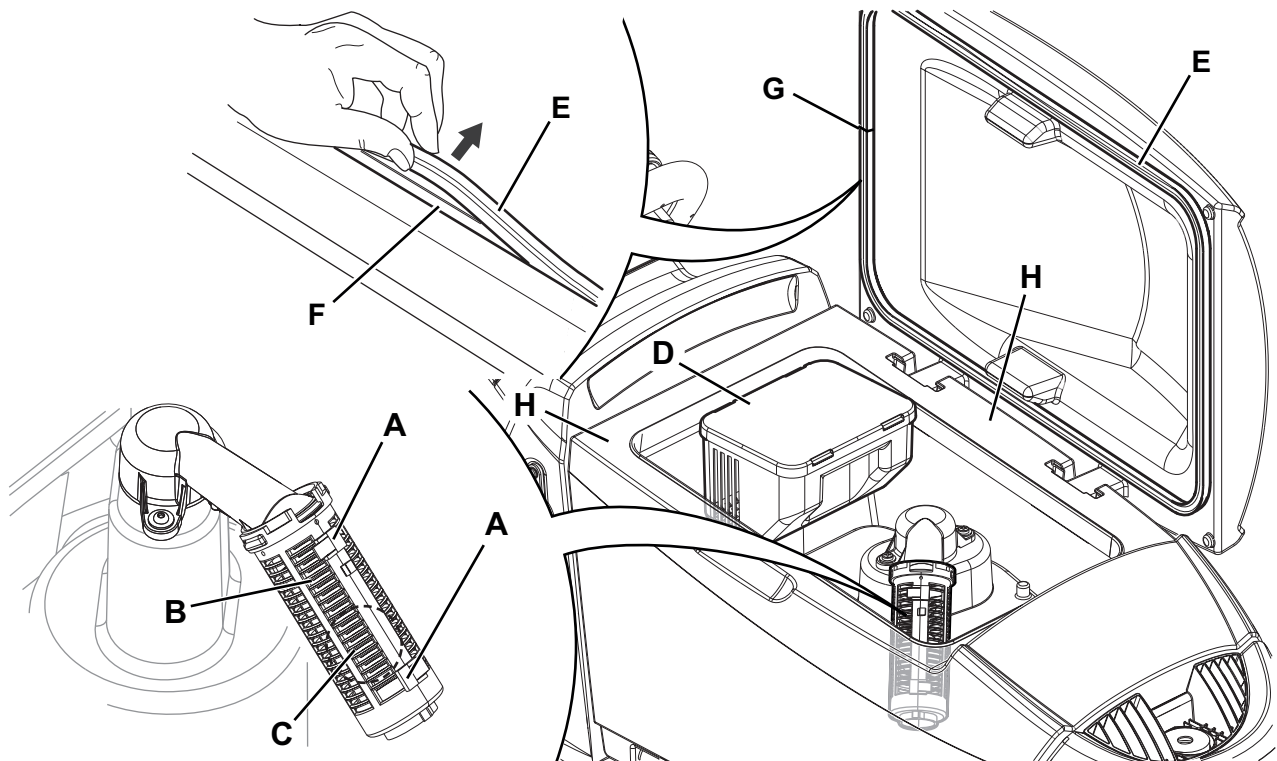


Figure 12

P100851

WASHING WATER FILTER CLEANING

1. Drive the machine on a level floor.
2. Ensure that the machine is off and the operator key (41) has been removed.
3. Close the washing water valve (A, Fig. 13). The valve is closed when it is in position (B) and it is open when it is in position (C).
4. Remove the transparent cover (D) and the gasket (E), then remove the filter strainer (F). Wash and rinse them, then refit them carefully onto the filter support (G).
5. Open the valve (A).

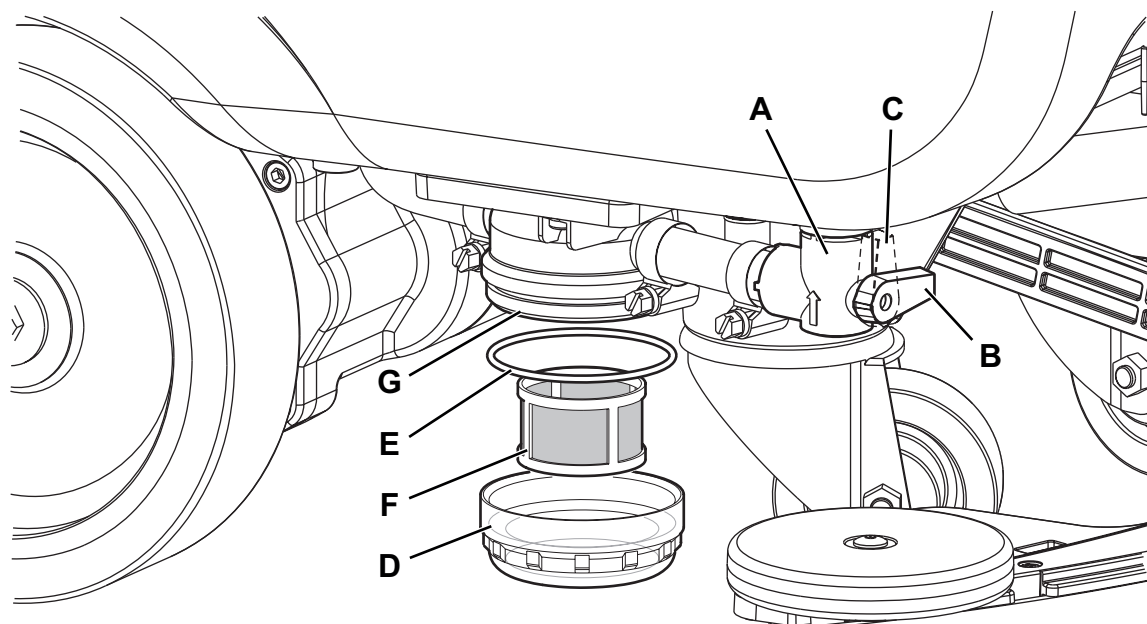


Figure 13

P100852

MACHINE TRACKING ADJUSTMENT

The machine tracking (straight movement) may vary according to the type of floor to be cleaned and depending on whether the brush or the pad is used.

If it is difficult to keep the machine moving straight as it tends to pull to the left or to the right with the brush deck lowered and during cleaning, adjust the handwheel (35) by turning it clockwise or counter-clockwise to correct this pull and obtain a generally neutral straight-ahead movement.

ECOFLEX™ DETERGENT TANK CLEANING

Clean the detergent tank (25) as follows.

1. Drive the machine to the appointed disposal area.
2. Ensure that the machine is off and the operator key (41) has been removed.
3. Lift the cover (34) and check that the recovery tank (33) is empty; if not, empty it using the drain hose (12).
4. Close the cover (19).
5. Grasp the handle (16) and carefully lift the tank (33).
6. Unscrew the cap (A, Fig. 14) from the detergent tank (B).
7. Remove the tank.
8. Rinse and wash out the tank with clean water in the appointed disposal area.
9. Replace the detergent tank (B) as shown in the figure, then refit the cap (A).
10. When the detergent tank has been drained, it may be necessary to drain the EcoFlex™ system too (see procedure in following section).

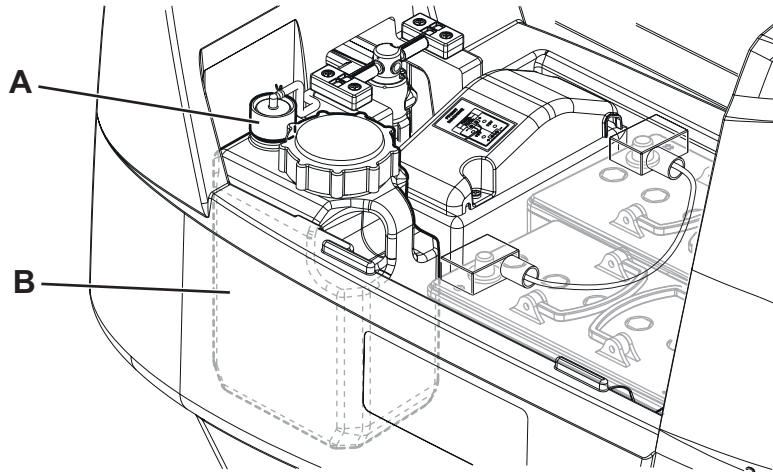


Figure 14

P100853

DRAINING THE ECOFLEX™ SYSTEM

Clean the detergent tank following the procedure in the previous section.

To remove residual detergent from the detergent hoses and pump, proceed as follows.

1. To turn on the machine, insert the operator key (41) in its slot on the control panel (3); if the key is already inserted, press the push-button (42).
2. Press the push-button (43). Check that the detergent quantity indicator (51-G) on the display has at least one segment lit.
3. Press and hold buttons (49) and (50) at the same time until screen (51-M) appears on the display (after approximately 5 seconds).
4. Release buttons (49) and (50) and wait for the countdown timer on the display to finish and the vacuum system to be activated.
5. Collect the detergent remained on the floor.
6. Remove the operator key (41).
7. Raise the tank (33), then check that the detergent tank hose (25) is empty; if not, perform steps 3 to 7 again.



NOTE

The draining cycle lasts about 30 seconds, then the vacuum function automatically turns on, which allows to remove the detergent remained.

The draining cycle can also be performed with the detergent tank (25) full of water, thus cleaning the system thoroughly. It is advisable to perform this type of draining to clean the EcoFlex™ system from dirt and deposits if the machine has not been used/cleaned for a long time.

The draining cycle can also be performed to quickly fill the detergent supply hose when the tank (25) is full but the system is still empty.

If necessary, the draining cycle can be performed several times in succession.

FUSE CHECK/REPLACEMENT



NOTE

All machine electrical circuits are protected by auto-resettable electronic devices. The safety fuses activates only in case of serious damage.

It is recommended to have the fuses replaced by qualified personnel only.

Refer to the Service Manual available at any Advance Retailer.

TROUBLESHOOTING

TROUBLE	POSSIBLE CAUSE	REMEDY
The motors are not operating; the display (51) and button LEDs do not turn on.	The battery connector is disconnected.	Connect.
	The batteries are completely discharged.	Charge the batteries.
The machine does not move and the display (51) shows the alarm: WARNING ALARM T3	Machine turned on with paddle pressed.	Release the paddle. If the problem persists, contact an authorised Service Center.
At machine start-up, the button (43) LED flashes and the brushes do not work.	Machine switched off without first raising the brush deck.	Wait for the deck to raise before turning the brushes on again by pressing the switch.
The brush does not operate; the battery symbol (51-C) border flashes and the display shows the alarm message: WARNING ALARM G4	The batteries are discharged.	Charge the batteries. If the problem persists, replace the batteries.
When working, the display shows the alarm message: WARNING ALARM F2	Brush motor overload.	Use a different/less aggressive brush and/or avoid working with extra pressure turned on.
	There are foreign materials (tangled threads, etc.) preventing the brush from rotating.	Clean the brush hub.
The display (51) shows the alarm message: WARNING ALARM T2	Drive motor overload.	Turn off the machine and then turn it on again. Avoid using the machine on slopes greater than those indicated or going over excessively tall obstacles.
While recharging the batteries with the on-board battery charger, the display (51) shows the alarm message: WARNING ALARM C4 or C5	Battery charger not able to correctly recharge the batteries within the maximum time.	Run the battery charging cycle again. If the problem persists, replace the batteries.
The display (51) shows an alarm message of the following type: WARNING ALARM XX Where "XX" is a code other than those listed above.	The machine electronic control system is in alarm condition.	Turn off the machine and then turn it on again. If the problem persists, contact an authorised Service Center.
The dirty water vacuuming is insufficient.	The recovery tank is full.	Empty the tank.
	The vacuum grid is clogged or the float is stuck closed.	Clean the vacuum grid.
	Debris collection filter container clogged.	Clean.
	The hose is disconnected from the squeegee.	Connect.
	The squeegee is dirty or the squeegee blades are worn or damaged.	Clean the squeegee or overturn/replace the blades.
	The tank cover is not properly closed, or the gasket is damaged.	Correctly close the cover or clean/replace the gasket.
The solution flow is insufficient.	The washing water tank is empty.	Refill.
	The washing water filter is dirty.	Clean the filter.
	The EcoFlex™ system tank is dirty/encrusted.	Clean with the drain cycle.
The squeegee leaves marks on the floor.	There is debris under the squeegee blades.	Remove the debris.
	The squeegee blades are worn, chipped or torn.	Overturn or replace the blades.
	The squeegee has not been balanced with the handwheel.	Adjust the squeegee.



NOTE

The machine is inoperative without the battery charger.

In case of battery charger malfunction, contact an authorised Service Center.

For any further information, contact Advance Service Centres.

SCRAPPING

Have the machine scrapped by a qualified scrapper.

Before scrapping the machine, remove and separate the following materials, which must be disposed of properly according to the Law in force:

- Batteries
- Brushes
- Plastic hoses and components
- Electrical and electronic components (*)

(*) Refer to the nearest Advance Center especially when scrapping electrical and electronic components.

Machine material composition and recyclability

Type	Recyclable percentage	SC500 weight percentage
Aluminium	100 %	7 %
Electric motors - various	29 %	29 %
Ferrous materials	100 %	2 %
Wiring harness	80 %	2 %
Liquids	100 %	0 %
Plastic - non-recyclable material	0 %	2 %
Plastic - recyclable material	100 %	7 %
Polyethylene	92 %	48 %
Rubber	20 %	2 %

ÍNDICE

INTRODUCCIÓN.....	2
FINALIDAD Y OBJETO DE ESTE MANUAL	2
DESTINATARIOS	2
CONSERVACIÓN DEL MANUAL	2
DATOS DE IDENTIFICACIÓN.....	2
OTROS MANUALES DE REFERENCIA	2
PIEZAS DE REPUESTO Y MANTENIMIENTO	2
MODIFICACIONES Y MEJORAS.....	2
CARACTERÍSTICAS DE FUNCIONAMIENTO	3
CONVENCIONES.....	3
DESEMBALAJE/ENTREGA.....	3
SEGURIDAD	3
SÍMBOLOS VISIBLES EN LA MÁQUINA	3
SÍMBOLOS QUE APARECEN EN EL MANUAL.....	4
INSTRUCCIONES GENERALES	4
DESCRIPCIÓN DE LA MÁQUINA.....	6
ESTRUCTURA DE LA MÁQUINA.....	6
PANEL DE CONTROL.....	8
ACCESORIOS/OPCIONES.....	9
DATOS TÉCNICOS	9
ESQUEMA ELÉCTRICO	10
USO.....	11
CONTROL/PREPARACIÓN DE LAS BATERÍAS EN LA MÁQUINA NUEVA	11
INSTALACIÓN DE LAS BATERÍAS.....	11
ANTES DE LA PUESTA EN MARCHA DE LA MÁQUINA.....	12
PUESTA EN MARCHA Y PARADA DE LA MÁQUINA.....	14
MÁQUINA EN FUNCIÓN (LAVADO/SECAMIENTO).....	14
VACIADO DE LOS DEPÓSITOS.....	17
DESPUÉS DEL USO DE LA MÁQUINA	17
PERIODO DE LARGA INACTIVIDAD DE LA MÁQUINA.....	17
MANTENIMIENTO	18
ESQUEMA DE MANTENIMIENTO PROGRAMADO.....	18
CARGA DE LAS BATERÍAS.....	19
LLAVE DE SERVICIO (AMARILLA)	20
LIMPIEZA DE LA BOQUILLA.....	22
CONTROL Y SUSTITUCIÓN DE LOS CAUCHOS DE LA BOQUILLA.....	22
LIMPIEZA DEL CEPILLO.....	23
LIMPIEZA DEL DEPÓSITO DEL AGUA DE RECUPERACIÓN.....	23
LIMPIEZA DEL FILTRO DEL AGUA DE LAVADO.....	24
AJUSTE DE LA MARCHA RECTILÍNEA DE LA MÁQUINA.....	24
LIMPIEZA DEL DEPÓSITO DEL DETERGENTE ECOFLEX™	25
PURGA SISTEMA ECOFLEX™	25
CONTROL/SUSTITUCIÓN DE LOS FUSIBLES	26
BÚSQUEDA AVERÍAS	26
ELIMINACIÓN.....	27

INTRODUCCIÓN



NOTA

Los números entre paréntesis se refieren a los componentes ilustrados en el capítulo Descripción de la máquina.

FINALIDAD Y OBJETO DE ESTE MANUAL

Este manual contiene todas las informaciones necesarias para que el operador utilice la máquina de forma adecuada, autónoma y segura. Incluye informaciones inherentes a los datos técnicos, la seguridad, el funcionamiento, el almacenamiento, el mantenimiento, las piezas de repuesto y la eliminación.

Antes de efectuar cualquier operación de mantenimiento, los operadores y los técnicos calificados tienen que leer cuidadosamente las instrucciones incluidas en este manual. En caso de dudas sobre la correcta interpretación de las instrucciones, contactar con Advance para obtener explicaciones.

DESTINATARIOS

Este manual es para los operadores y los técnicos encargados del mantenimiento de la máquina.

Los operadores no deben efectuar procedimientos reservados a los técnicos calificados. Advance no es responsable para los daños causados a la máquina por falta de observación de esta prohibición.

CONSERVACIÓN DEL MANUAL

El Manual de instrucciones de uso y mantenimiento debe conservarse junto a la máquina, dentro de su contenedor, lejos de líquidos y otras sustancias que podrían dañarlo.

DATOS DE IDENTIFICACIÓN

El número de serie y el modelo de la máquina están marcados en la placa del número de serie (4).

En la misma placa se indican también el año de fabricación y el código del producto.

Esta información es necesaria cuando se pidan piezas de repuesto para la máquina. Usar el espacio siguiente para escribir los datos de identificación de la máquina.

Modelo MÁQUINA
Código del PRODUCTO
Número de serie MÁQUINA

OTROS MANUALES DE REFERENCIA

- Manual del cargador de baterías electrónico, que debe considerarse parte integrante de este manual
- Catálogo piezas de repuestos (en dotación a la máquina)
- Manual de asistencia (solo los técnicos calificados lo puede consultar cerca de los Centros de asistencia Advance)

PIEZAS DE REPUESTO Y MANTENIMIENTO

Para cualquier necesidad inherente al uso, mantenimiento y reparación, consultar al personal calificado o los Centros de asistencia Advance. Se recomienda usar sólo piezas de repuesto y accesorios originales.

Para la asistencia o para pedir piezas de repuesto y accesorios acudir a Advance, especificando siempre el modelo, el código del producto y el número de serie de la máquina.

MODIFICACIONES Y MEJORAS

Advance está constantemente mejorando sus productos y se reserva el derecho de realizar modificaciones y mejoras a su discreción, sin verse obligada a aplicar dichas ventajas a las máquinas vendidas previamente.

Sólo Advance puede aprobar y efectuar cualquier modificación y/o instalación de accesorios.

CARACTERÍSTICAS DE FUNCIONAMIENTO

La fregadora/secadora SC500 es adecuada para limpiar (lavar y secar) suelos lisos y sólidos, en ambiente privado o industrial, en condiciones de seguridad, por un operador calificado.

La fregadora/secadora no es adecuada para limpiar alfombras o moqueta.

CONVENCIONES

En este manual, las indicaciones de adelante, atrás, delantero, trasero, derecho e izquierdo, se refieren al operador en posición de conducción con las manos sobre el manillar (1).

DESEMBALAJE/ENTREGA

Para desembalar la máquina seguir cuidadosamente las instrucciones colocadas sobre el embalaje.

Al momento de la entrega, controlar con cuidado el embalaje y la máquina por si hayan sufrido daños durante el transporte.

Si los daños son evidentes, conservar el embalaje, de forma que el transportista que lo ha entregado lo pueda inspeccionar.

Contactarlo de inmediato para compilar una indemnización daños y perjuicios.

Controlar que la máquina sea entregada junto a los siguientes componentes:

- Documentación técnica:
 - Manual de instrucciones de uso de la fregadora/secadora
 - Manual del cargador de baterías
 - Catálogo piezas de repuestos de la fregadora/secadora



¡ATENCIÓN!

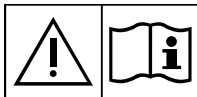
Los Productos a la venta en este Manual contienen, o pueden contener, productos químicos reconocidos por algunos gobiernos (como el Estado de California, según lo indica en su Proposición 65, Ley de Advertencia Regulatoria) como causantes de cáncer, defectos de nacimiento u otros daños reproductivos. En algunas jurisdicciones (incluido el Estado de California), los compradores de estos Productos que los coloquen en servicio en un emplazamiento laboral o en un espacio de acceso público tienen la obligación regulatoria de realizar determinados avisos, advertencias o divulgaciones respecto de los productos químicos contenidos o posiblemente contenidos en los Productos utilizados en tal lugar. Es la responsabilidad del comprador conocer y cumplir con todas las leyes y reglamentaciones relacionadas con el uso de estos Productos en tales entornos. El Fabricante niega toda responsabilidad de informar a los compradores sobre requisitos específicos que pueden regir el uso de los Productos en tales entornos.

SEGURIDAD

La siguiente simbología sirve para señalar situaciones de peligro potencial. Leer siempre cuidadosamente estas informaciones y tomar las precauciones necesarias para proteger personas y cosas.

Para evitar desgracias, la cooperación del operador de la máquina es fundamental. Ningún programa de prevención de accidentes resulta eficaz sin la total cooperación de la persona directamente responsable del funcionamiento de la máquina. La mayoría de los accidentes que pueden ocurrir en una empresa, durante el trabajo o los traslados, son causados por no observar las reglas de seguridad fundamentales. Un operador cuidadoso y cauto es la mejor garantía para evitar posibles accidentes y resulta más eficaz que cualquier programa de prevención.

SÍMBOLOS VISIBLES EN LA MÁQUINA



¡ATENCIÓN!

Leer con cuidado todas las instrucciones antes de efectuar cualquier operación en la máquina.



¡ATENCIÓN!

No lavar la máquina con chorros de agua directa o presurizada.



¡ATENCIÓN!

No usar la máquina sobre rampas o inclinaciones superiores a las especificaciones.

SÍMBOLOS QUE APARECEN EN EL MANUAL



¡PELIGRO!
Indica un peligro con riesgo, incluso mortal, para el operador.



¡ATENCIÓN!
Indica el riesgo potencial de infortunios para las personas.



¡ADVERTENCIA!
Indica una advertencia o una nota sobre una función importante o útil.
Tener cuidado de las partes del texto marcadas con este símbolo.



NOTA
Indica una nota sobre una función importante o útil.



CONSULTAS
Indica la necesidad de consultar el Manual de instrucciones de uso antes de efectuar cualquier operación.

INSTRUCCIONES GENERALES

Se describen aquí las advertencias y precauciones específicas por lo que se refiere a los potenciales riesgos de daños a la máquina o a las personas.



- ¡PELIGRO!**
- Antes de efectuar cualquier operación de limpieza de la máquina, mantenimiento o sustitución de piezas, quitar la llave de encendido (o de puesta en marcha) y desconectar el conector de las baterías.
 - Sólo los operadores cualificados pueden usar esta máquina.
 - Quitarse las joyas cuando se trabaja cerca de los componentes eléctricos.
 - No trabajar bajo la máquina levantada si ésta no está fijada con los soportes de seguridad adecuados.
 - No activar la máquina en un ambiente donde haya polvo, líquidos o vapores nocivos, peligrosos, inflamables y/o explosivos: esta máquina no es adecuada para recoger polvos peligrosos.
 - Si se usan baterías de plomo (WET), tener chispas, llamas y materiales fumantes lejos de las baterías. Durante el uso normal pueden salir gases explosivos.
 - Si se usan baterías de plomo (WET), cargando las baterías se produce gas hidrógeno muy explosivo. Levantar el depósito del agua de recuperación durante las operaciones de carga de las baterías y efectuar la carga solo en áreas muy bien ventiladas y lejos de llamas libres.



- ¡ATENCIÓN!**
- Antes de efectuar cualquier operación de mantenimiento/repación, leer cuidadosamente todas las instrucciones relacionadas al mantenimiento/repación.
 - La llave de encendido (o de puesta en marcha) de la máquina está equipada con un imán incorporado. No colocar objetos con bandas magnéticas (tarjetas de créditos, llaves electrónicas, tarjetas telefónicas y afines) cerca de la llave. El imán incorporado podría dañar o borrar los datos grabados en la banda magnética.
 - Antes de usar el cargador de baterías, asegurarse de que la frecuencia y la tensión indicadas en la placa del número de serie de la máquina coincidan con la tensión de la red.
 - No tirar o transportar la máquina por el cable del cargador de baterías; no utilizar el cable como manilla. No cerrar el cable del cargador de baterías en una puerta o tirarlo sobre bordes o ángulos afilados. No atropellar el cable del cargador de baterías con la máquina.
 - Tener el cable del cargador de baterías lejos de superficies calientes.
 - Si el cable o el enchufe del cargador de baterías están dañados, no cargar las baterías de la máquina.
 - Para reducir el riesgo de incendio, electrochoque o lesiones, no dejar la máquina conectada a la red eléctrica cuando está sin custodia. Antes de efectuar las operaciones de mantenimiento, desconectar el cable del cargador de baterías de la red eléctrica.
 - No fumar cuando se cargan las baterías.
 - Para evitar usos no autorizados de la máquina, quitar la llave de encendido.
 - No dejar la máquina sin custodia y sin haberse asegurado que no pueda moverse de forma autónoma.

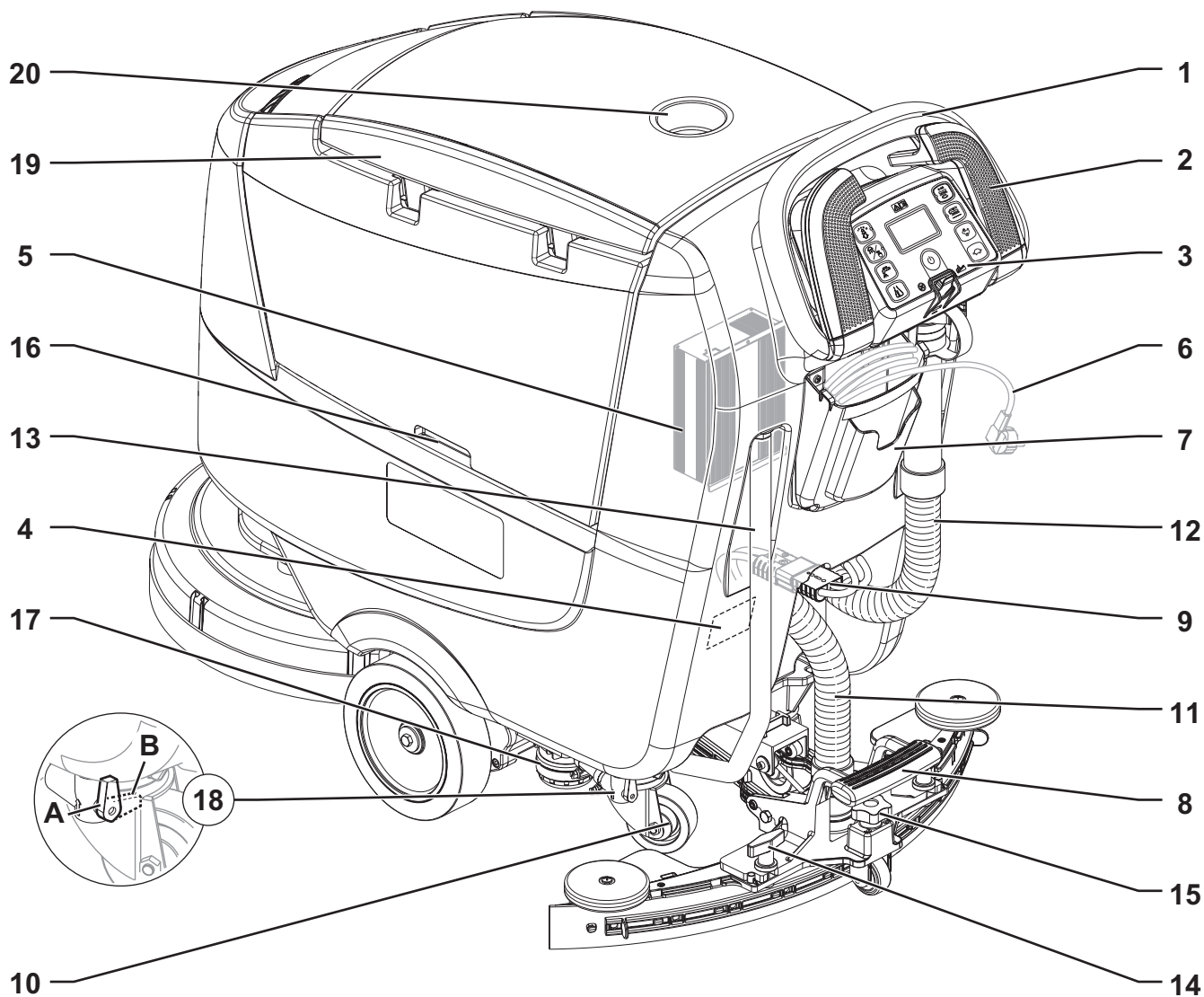
**¡ATENCIÓN!**

- *Proteger siempre la máquina del sol, lluvia y otras intemperies, tanto durante el funcionamiento como durante los periodos de inactividad. Almacenar la máquina en un lugar cerrado y seco: esta máquina sólo se puede usar en seco y no se debe usar o tener al exterior en condiciones de humedad.*
- *Antes de usar la máquina, cerrar todos los portillos y/o las tapas como indicado en el Manual de instrucciones de uso.*
- *El aparato no está diseñado para que lo usen personas (incluidos los niños) con reducidas capacidades físicas, mentales o sensoriales o con experiencia y/o competencias insuficientes, a no ser que lo utilicen bajo la supervisión de una persona responsable de su seguridad o que ésta les enseñe a usarlo. Los niños deben ser supervisados para asegurarse de que no jueguen con el aparato.*
- *Tener mucho cuidado cuando se utiliza cerca de niños. No usar con finalidades diferentes de aquellas indicadas en este manual. Usar sólo accesorios recomendados por Advance.*
- *Controlar con cuidado la máquina antes de usarla, siempre comprobar que se hayan montados correctamente todos los componentes antes de usarla. El uso de la máquina no perfectamente montada puede causar lesiones a personas y daños a los aparatos.*
- *Tomar todas las precauciones necesarias para que el pelo, las joyas y las ropas no sean capturados por las partes móviles de la máquina.*
- *No usar la máquina sobre pendientes.*
- *No inclinar la máquina con un ángulo superior al valor indicado en la máquina misma, para no perjudicar la estabilidad.*
- *No usar la máquina en ambientes demasiado polvorientos.*
- *Usar la máquina sólo en áreas con suficiente iluminación.*
- *Cuando se usa esta máquina, tener cuidado de salvaguardar la incolumidad de personas y cosas.*
- *No chocar contra estanterías o andamios de los que puedan caer objetos.*
- *No apoyar contenedores de líquidos sobre la máquina, usar el portabebidas.*
- *La temperatura de la máquina en trabajo debe estar entre +32 °F y 104 °F (0 °C y +40 °C).*
- *La temperatura de almacenamiento de la máquina debe estar entre +32 °F y 104 °F (0 °C y +40 °C).*
- *La humedad debe estar entre el 30 % y el 95 %.*
- *Cuando se usan detergentes, seguir las instrucciones y advertencias indicadas en las etiquetas de los frascos.*
- *Cuando se usan detergentes, usar guantes y protecciones adecuadas.*
- *No usar la máquina como vehículo de transporte.*
- *No permitir que el cepillo/filtro funcione mientras la máquina está parada en un punto para evitar posibles daños al suelo.*
- *En caso de incendio usar un extintor de polvo, no de agua.*
- *No adulterar por ninguna razón la máquina, respetar escrupulosamente las instrucciones previstas para el mantenimiento ordinario.*
- *No dejar que material extraño entre en las aperturas. No usar la máquina si las aperturas están obstruidas. Las aperturas deben mantenerse libre de polvo, hilacha, pelos y cualquier otro cuerpo extraño que pueda reducir el flujo de aire.*
- *No quitar ni modificar las placas colocadas en la máquina.*
- *Si se desplaza la máquina mediante empuje por causas de servicio (falta de baterías, baterías descargadas, etc.), no superar la velocidad de 2,5 mph (4 km/h).*
- *Esta máquina no tiene aprobación para el uso en carreteras o vías públicas.*
- *Tener cuidado durante el traslado de la máquina en condiciones de temperatura muy baja. El agua en el depósito del agua de recuperación o en los tubos, podría congelarse y dañar la máquina.*
- *Utilizar sólo los cepillos y los filtros suministrados con la máquina o aquellos especificados en el Manual de instrucciones de uso. Usar otros cepillos o filtros puede perjudicar la seguridad.*
- *Cuando la máquina no funciona correctamente, asegurarse de que esto no sea causado por falta de mantenimiento. En caso contrario, pedir la intervención del personal autorizado o del Centro de asistencia autorizado.*
- *Si deben sustituirse piezas, solicitar piezas de repuesto ORIGINALES a un Concesionario y/o Revendedor autorizado.*
- *Para asegurar condiciones de funcionamiento correcto y seguro, el personal autorizado o el Centro de asistencia autorizado debe llevar a cabo el mantenimiento programado según las especificaciones indicadas en el capítulo relacionado de este manual.*
- *No lavar la máquina con chorros de agua directa o presurizada, o con sustancias corrosivas.*
- *Nunca se debe abandonar la máquina al final del ciclo vital, por la presencia de materiales tóxicos y dañinos (baterías, aceites, etc.) sujetos a normativas que exigen que se realice la eliminación en centros especiales (véase el capítulo Eliminación).*

DESCRIPCIÓN DE LA MÁQUINA

ESTRUCTURA DE LA MÁQUINA

- | | |
|---|---|
| <ol style="list-style-type: none"> 1. Manillar de conducción 2. Asa accionamiento trabajo y marcha adelante /atrás 3. Panel de control 4. Placa número de serie/datos técnicos/marcación de conformidad 5. Cargador de baterías 6. Cable de alimentación del cargador de baterías 7. Vano alojamiento cable cargador de baterías y portadocumentos 8. Pedal de subida/bajada de la boquilla 9. Conector (rojo) de las baterías.
Este conector funciona también como pulsador de EMERGENCIA, para la interrupción inmediata de todas las funciones. 10. Ruedas traseras giratorias | <ol style="list-style-type: none"> 11. Tubo de aspiración de la boquilla 12. Tubo de descarga del agua de recuperación 13. Tubo de nivel y de descarga del agua de lavado 14. Empuñaduras de fijación de la boquilla 15. Perilla de ajuste de la boquilla 16. Manilla de levantamiento del depósito 17. Filtro del agua de lavado 18. Grifo del agua de lavado:
A) Grifo abierto
B) Grifo cerrado 19. Tapa del depósito del agua de recuperación 20. Portabebidas |
|---|---|

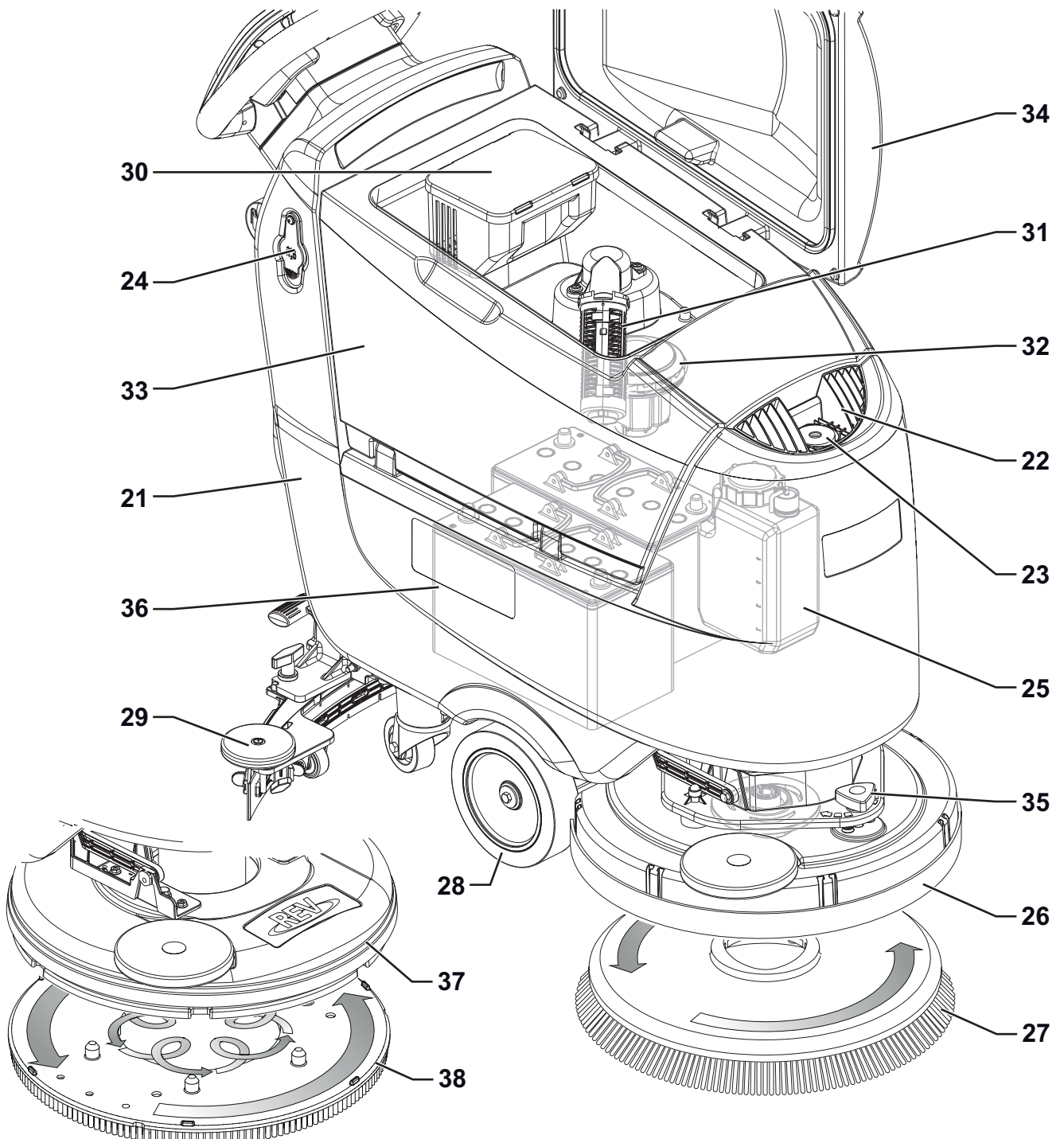


P100837

ESTRUCTURA DE LA MÁQUINA (Sigue)

- | | |
|---|---|
| 21. Depósito del agua de lavado | 30. Cubeta para recogida residuos |
| 22. Boca frontal de llenado del depósito del agua de lavado | 31. Rejilla de aspiración con cierre automático de flotador |
| 23. Tubo extraíble para cargar el agua | 32. Motor sistema de aspiración |
| 24. Tapón de la boca lateral para llenado del depósito del agua de lavado | 33. Depósito del agua de recuperación |
| 25. Tanque detergente EcoFlex™ | 34. Tapa del depósito del agua de recuperación abierta |
| 26. Cabezal portacepillo | 35. Perilla de ajuste de la marcha rectilínea de la máquina |
| 27. Cepillo | 36. Baterías (opcionales) |
| 28. Ruedas delanteras de tracción | 37. Cabezal REV™ (*) |
| 29. Boquilla | 38. Cepillo REV™ (*) |

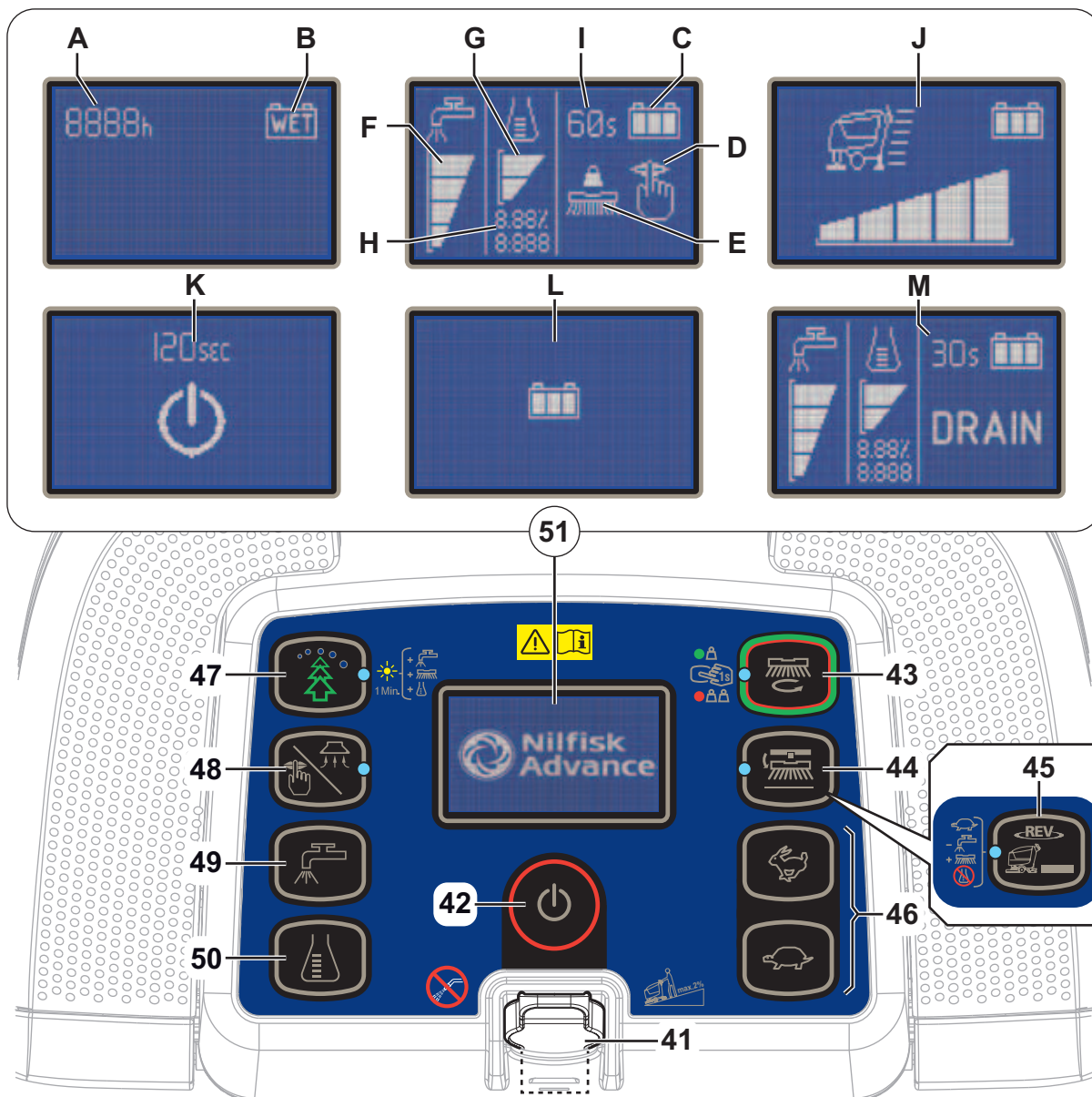
(*) Sólo para versión REV™



P100854

PANEL DE CONTROL

- 41. Llave de encendido/apagado máquina
 - Llave operador (gris)
 - Llave de servicio (amarilla) (véase el capítulo Mantenimiento)
 - 42. Pulsador de encendido/apagado máquina
 - 43. Pulsador One-Touch™ lavado/secado
 - LED verde intermitente - subida/bajada cabezal portacepillo
 - LED verde - máquina en función
 - LED rojo (pulsar durante unos segundos) presión cepillo suplementar
 - 44. Pulsador desenganche cepillo
 - LED intermitente - sistema desenganche activado
 - 45. Pulsador función REV™ (*)
 - LED encendido - sistema activado
 - 46. Pulsadores regulación velocidad de marcha de la máquina
 - Liebre - aumento velocidad de marcha
 - Tortuga - disminución velocidad de marcha
 - 47. Pulsador de sistema EcoFlex™
 - LED encendido - EcoFlex™ en función
 - LED intermitente - condición de invalidación provisional
 - 48. Pulsador regulación/desactivación sistema de aspiración
 - LED encendido - sistema de aspiración activado
 - 49. Pulsador regulación del flujo del detergente
 - 50. Pulsador regulación porcentaje detergente de lavado
 - 51. Pantalla multifunción
- Visualizaciones:
- A) Horas de trabajo
 - B) Tipología baterías
 - C) Estado de carga de las baterías
 - D) Modalidad de aspiración
 - E) Modalidad trabajo del cepillo
 - F) Cantidad de flujo de la solución detergente
 - G) Cantidad porcentaje detergente
 - H) Porcentaje detergente en el agua de lavado
 - I) Anulación timer sistema EcoFlex™
 - J) Ajuste velocidad máxima de marcha
 - K) Timer auto apagado
 - L) Carga de baterías con cargador integrado
 - M) Activación expurgación sistema EcoFlex™
- (*) Sólo para versión REV™



ACCESORIOS/OPCIONES

Además de los componentes instalados en la versión estándar, la máquina puede equiparse con los siguientes accesorios/ opciones, según el uso específico:

- Baterías GEL/AGM
- Parasalpicaduras
- Cepillos de diferentes materiales
- Caucho de la boquilla de goma natural
- Filtros de diferentes materiales

Para informaciones suplementarias sobre estos accesorios opcionales, acudir al Revendedor autorizado.

DATOS TÉCNICOS

Modelo	Advance SC500 20 B	Advance SC500 20R B
Capacidad del depósito del agua de lavado	12 US gal (45 litros)	
Capacidad del depósito del agua de recuperación	12 US gal (45 litros)	
Longitud de la máquina	50,3 in (1.277 mm)	51,2 in (1.302 mm)
Anchura de la máquina con boquilla	28,3 in (720 mm)	
Anchura de la máquina sin boquilla	21 in (532 mm)	21,2 in (538 mm)
Altura de la máquina	41,8 in (1.063 mm)	
Anchura de barrido	20 in (530 mm)	
Diámetro ruedas de tracción	7,8 in (200 mm)	
Presión específica al suelo de las ruedas de tracción	101 psi (0,7 N/mm ²)	
Diámetro ruedas traseras directrices	3,1 in (80 mm)	
Presión específica al suelo de las ruedas traseras	304 psi (2,1 N/mm ²)	
Diámetro cepillo/filtro	20 in (530/508 mm)	
Presión del cepillo con presión suplementaria desactivada	33 lb (15 kg)	49 lb (22 kg)
Presión del cepillo con presión suplementaria activada	66 lb (30 kg)	66 lb (30 kg)
Valores flujo de la solución detergente	0,75 cl/m/1,5 cl/m 3,0 cl/m/2,8 l/min	0,38 cl/m/0,75 cl/m 1,5 cl/m/2,8 l/min
Porcentaje de detergente sistema EcoFlex™	Relación 1:500 ÷ 1:33 (0,25 % ÷ 3 %)	
Presión sonora a la oreja del operador (ISO 11201, ISO 4871, EN 60335-2-72) (LpA)	63 ± 3 dB(A)	65 ± 3 dB(A)
Presión sonora a la oreja del operador en modalidad silenciosa (LpA)	60 ± 3 dB(A)	61 ± 3 dB(A)
Potencia acústica emitida por la máquina (ISO 3744, ISO 4871, EN 60335-2-72) (LwA)	81 dB(A)	83 dB(A)
Nivel de vibraciones al brazo del operador (ISO 5349-1, EN 60335-2-72)	< 98,4 in/s ² (< 2,5 m/s ²)	
Inclinación máxima de trabajo	2 %	
Potencia del motor del sistema de tracción	0,27 hp (200 W)	
Velocidad de tracción (variable)	0 - 3,1 mi/h (0 - 5 km/h)	
Potencia del motor del sistema de aspiración	0,37 hp (280 W)	
Vacío del circuito del sistema de aspiración	760 mm H ₂ O (29,9 in H ₂ O)	
Potencia motor cepillo	0,6 hp (450 W)	0,9 HP (670 W)
Velocidad de rotación cepillo	155 rpm	-
Potencia total absorbida (*)	0,7 hp (500 W)	
Grado de protección IP	X4	
Clase de protección (eléctrica)	III (I para cargador de baterías)	
Dimensiones compartimiento baterías	13,7x13,7x10,2 in (350x350x260 mm)	
Tensión del sistema	24 V	
Baterías estándares (cantidad 2)	12 V 105 AhC5	
Cargador de baterías	24 V 13 A	
Autonomía de trabajo (baterías estándar) (*)	3,5 hora	
Peso sin baterías y con los depósitos vacíos	187 lb (85 kg)	194 lb (88 kg)
Peso máximo en orden de marcha (GVW)	456 lb (207 kg)	463 lb (210 kg)
Peso de envío	256 lb (116 kg)	262 lb (119 kg)

(*) Valores en condiciones de trabajo estándar (EN 60335-2-72)

ESQUEMA ELÉCTRICO

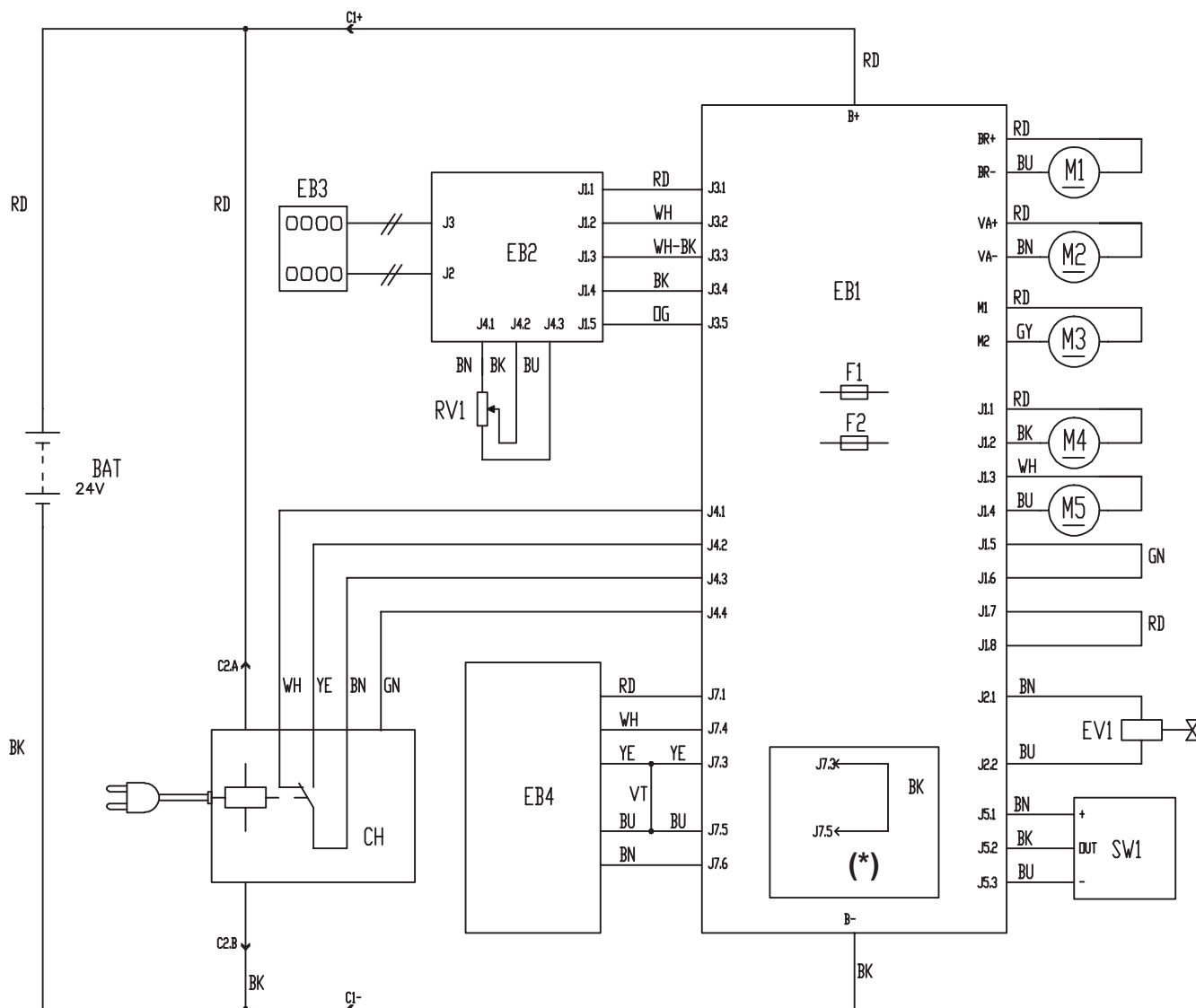
Leyenda

BAT	Baterías 24 V
C1	Conector de las baterías
C2	Conector principal del cargador de baterías
C3	Conector secundario del cargador de baterías
CH	Cargador de baterías
EB1	Tarjeta de funciones
EB2	Tarjeta pantalla
EB3	Tarjeta serigrafía tablero de instrumentos
EB4	TrackClean (opcional)
EV1	Electroválvula
F1	Fusible tarjeta funciones
F2	Fusible de los circuitos de señal
M1	Motor del cepillo
M2	Motor del sistema de aspiración
M3	Motor tracción
M4	Bomba EcoFlex™
M5	Actuador cabezal portacepillo
RV1	Potenciómetro velocidad
SW1	Sensor nivel detergente

Códigos color

BK	Negro
BU	Azul
BN	Marrón
GN	Verde
GY	Gris
OG	Anaranjado
PK	Rosado
RD	Rojo
VT	Morado
WH	Blanco
YE	Amarillo

(*) Versión sin sistema TrackClean



P100856

USO**¡ATENCIÓN!**

En unas partes de la máquina hay unas placas adhesivas que indican:

- PELIGRO
- ATENCIÓN
- ADVERTENCIA
- CONSULTAS

Leyendo este Manual, el operador tiene que aprender el sentido de los símbolos indicados en las placas (véase el párrafo Símbolos visibles en la máquina).

Por ninguna razón estas placas deben cubrirse y si están dañadas tienen que sustituirse de inmediato.

CONTROL/PREPARACIÓN DE LAS BATERÍAS EN LA MÁQUINA NUEVA**¡ATENCIÓN!**

Si no se instalan correctamente las baterías, los componentes eléctricos de la máquina podrían dañarse. Sólo el personal calificado puede efectuar la instalación de las baterías.

Configurar la máquina según el tipo de baterías utilizadas.

Antes de instalar las baterías, controlar que no estén dañadas.

Desconectar el conector de las baterías o el enchufe del cargador de baterías.

Desplazar las baterías con mucho cuidado.

Instalar las tapas de protección de los terminales de las baterías, en dotación a la máquina.

La máquina necesita de 2 baterías de 12 V, conectadas según el esquema que se indica en la Figura 1.

La máquina puede ser entregada con las siguientes configuraciones:

Baterías instaladas en la máquina y listas para su uso

1. Asegurarse de que el conector de las baterías (9) esté conectado.
2. Cuando se utiliza la máquina por primera vez con baterías nuevas, efectuar un ciclo de carga completa de las baterías (véase procedimiento en el capítulo Mantenimiento).

Sin baterías

1. Comprar baterías adecuadas (véase el párrafo "Datos técnicos"). Para escoger e instalar las baterías, acudir a un Revendedor calificado.
2. Según el tipo de baterías elegidas, configurar la máquina actuando como se indica en el párrafo Llave de servicio en el capítulo Mantenimiento.

INSTALACIÓN DE LAS BATERÍAS**Instalación de las baterías**

1. Quitar la llave operador (41).
2. Desconectar el conector de las baterías (9).
3. Levantar la tapa (34) y controlar que el depósito del agua de recuperación (33) esté vacío, si no vaciarlo mediante el tubo de descarga (12).
4. Cerrar la tapa (34).
5. Empuñar la manilla (16) y levantar el depósito (33) con cuidado.
6. La máquina está equipada en fábrica con cables suficientes para instalar 2 baterías de 12 V. Levantar con cuidado las baterías hasta su alojamiento, luego colocarlas de manera correcta.
7. Colocar e instalar los cables de las baterías como se indica en el esquema de la Figura 1, luego apretar con atención el dado sobre cada borne de las baterías.
8. Conectar el conector de las baterías (9).
9. Empuñar la manilla (16) y bajar el depósito (33) con cuidado.

Carga de las baterías

10. Efectuar un ciclo de carga completa de las baterías (véase procedimiento en el capítulo Mantenimiento).

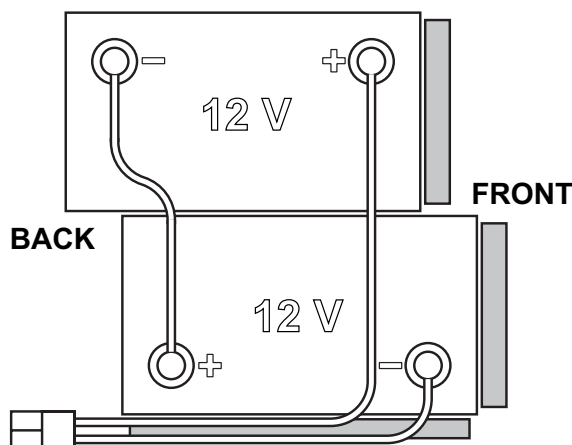


Figura 1

P100841

ANTES DE LA PUESTA EN MARCHA DE LA MÁQUINA

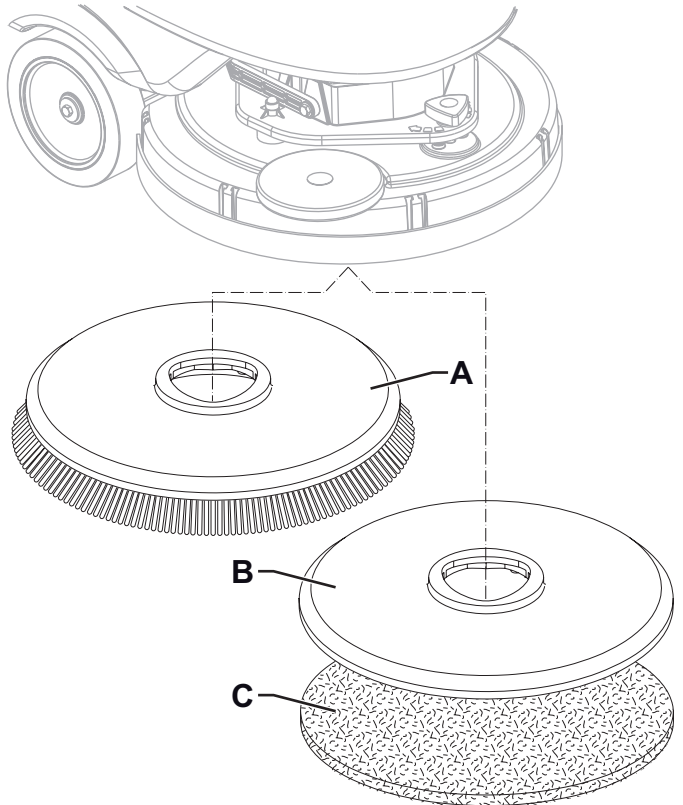


¡ATENCIÓN!

Cada vez que se pone en marcha la máquina o antes de accionar el pulsador One-Touch™ (43), comprobar que no hay cuerpos extraños entre el cabezal y la estructura del depósito, que puedan obstaculizar la subida del cabezal. Si se ha apagado la máquina sin haber levantado el cabezal, cuando se va a poner de nuevo en marcha la máquina, el cabezal se levantará automáticamente.

Instalación/remoción del cepillo o del portafieltro (sistema disco)

1. En la máquina se pueden instalar tanto el cepillo (A, Fig. 2) como el portafieltro (B) con fieltro (C), según el tipo de tratamiento a efectuar en el suelo.
2. Introducir la llave operador (41) en su alojamiento en el panel de control (3).
3. Llevar la velocidad de marcha al mínimo apretando el pulsador tortuga (46).
4. Colocar el cepillo (A) o el portafieltro (B) bajo el cabezal portacepillo (26).
5. Apretar el pulsador (43), para bajar el cabezal sobre el cepillo.
6. Para enganchar el cepillo, apretar el asa (2), luego soltarla. Si necesario, repetir la operación hasta enganchar el cepillo.



¡ADVERTENCIA!

Llevar la velocidad de la máquina al mínimo y apretar brevemente el asa, de lo contrario la máquina se pone en marcha.

7. Para quitar el cepillo es necesario levantar el cabezal apretando el pulsador (43), luego apretar el pulsador de desenganche (44).



Quando en la pantalla se visualiza el icono (51), esperar a que el cepillo caiga al suelo.

Figura 2

P100842

Tipos de cepillos disponibles y guía para su aplicación (sólo sugerencias)

Modelos	46 GRIT	80 GRIT	180 GRIT	240 GRIT	500 GRIT	PROLENE	PROLITE	UNION MIX
Limpieza general:								
Hormigón								
Suelo terraza								
Baldosas de cerámica/de cantera								
Mármol								
Baldosas de vinilo								
Baldosas de caucho								
Lustrado:								
Baldosas de caucho								
Mármol								
Baldosas de vinilo								

Instalación/remoción del cepillo o del portafiltro (sistema REV™)

1. Asegurarse de que el cabezal REV™ (37) esté levantado.
2. Apagar la máquina y quitar la llave operador (41).
3. Según el tipo de tratamiento a efectuar en el suelo, instalar el fieltro (A, Fig. 3) o el cepillo (C, opcional), observando las siguientes indicaciones:
 - Colocar el fieltro (A) bajo del cabezal y empujarlo hasta que se fije con el velcro del disco arrastrador (B).
 - Colocar el cepillo (C, opcional) bajo del cabezal y encajar las clavijas de centrado (D) en los respectivos agujeros en el disco arrastrador (B), y luego fijar el cepillo con los tres tornillos de montaje (E).
4. Para quitar el fieltro o el cepillo, efectuar el procedimiento en el orden contrario.

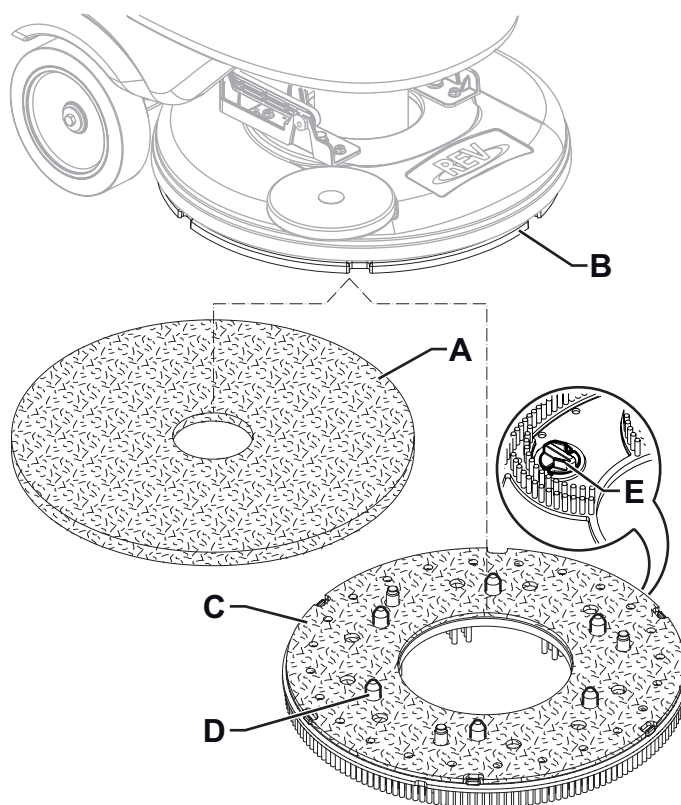


Figura 3

P100857

Instalación de la boquilla

1. Instalar la boquilla (A, Fig. 4) y fijarla con las empuñaduras (B) en la abrazadera (C).
2. Si necesario, regular la boquilla con la perilla (D) para que el caucho posterior (E) y el caucho anterior (F) toquen el suelo como indicado en la figura.

Llenado del depósito del agua de lavado

1. Asegurarse que el grifo del agua de lavado (18) esté en la posición de abierto (18-A).
2. Para llenar el depósito del agua de lavado (21) utilizar el tubo extraíble de carga del agua (23) de la boca frontal (22), o abrir la tapa (24) para acceder a la boca lateral.
3. Llenar el depósito (21) con agua limpia. No llenar completamente el depósito, dejar unos centímetros del borde. Utilizar el tubo de nivel (13) como referencia. La temperatura del agua no debe superar los 40 °C.

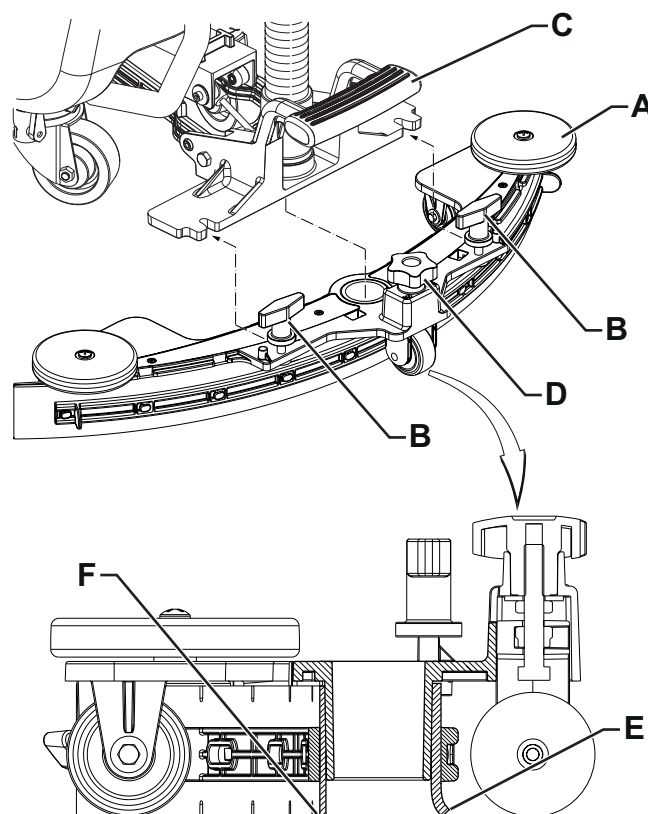


Figura 4

P100843

Llenado del depósito del detergente EcoFlex™**¡ATENCIÓN!**

Cuando se usan detergentes, seguir las instrucciones y advertencias indicadas en las etiquetas de los frascos. Cuando se usan detergentes, usar guantes y protecciones adecuadas.

4. Levantar la tapa (34) y controlar que el depósito del agua de recuperación (33) esté vacío, si no vaciarlo mediante el tubo de descarga (12).
5. Cerrar la tapa (19).
6. Empuñar la manilla (16) y levantar el depósito (33) con cuidado.
7. Rellenar el depósito (25) con un detergente adecuado para el trabajo a realizar (detergente de alta concentración). No llenar completamente el depósito del detergente, sino dejar unos centímetros del borde.

**¡ADVERTENCIA!**

Usar exclusivamente detergentes líquidos poco espumosos y no inflamables, que sean adecuados para este tipo de máquina.

**NOTA**

Para acelerar el procedimiento de llenado de las tuberías y el funcionamiento del sistema (en caso de sistema nuevo, de sistema vaciado para limpieza, etc.), podría ser útil efectuar uno o más ciclos de expurgación del sistema EcoFlex™ (véase el procedimiento en el capítulo Mantenimiento).

PUESTA EN MARCHA Y PARADA DE LA MÁQUINA**Puesta en marcha de la máquina**

1. Preparar la máquina como indicado en el párrafo precedente.
2. Introducir la llave operador (41) en su alojamiento del panel de control (3) para encender la máquina, o, si la llave ya se encuentra en su alojamiento, apretando el pulsador (42).
3. Durante los 2 primeros segundos desde el encendido, la pantalla multifunción (51) indica las horas de trabajo de la máquina (51-A) y la tipología de baterías instaladas (51-B).

**NOTA**

Controlar el estado de carga de las baterías.

Cuando en la pantalla multifunción se enciende por lo menos un segmento no intermitente en el símbolo batería (51-C) la máquina está lista para su uso.

Cuando en el símbolo batería (51-C) se queda encendido un solo segmento intermitente es conveniente cargar las baterías (véase procedimiento en el capítulo Mantenimiento).

4. Llegar al lugar de trabajo poniendo en marcha la máquina con las manos sobre el manillar de conducción (1) y empujando el asa (2) hacia adelante para la marcha adelante y hacia atrás para la marcha atrás. La velocidad de marcha se puede regular con una presión mayor o menor en el asa (2). La máxima velocidad se puede configurar con los pulsadores (46).

Parada de la máquina

5. Parar la marcha de la máquina soltando el asa (2).
6. Apagar la máquina apretando el pulsador (42), o quitando la llave operador (41) de su alojamiento desde el panel de control (3).

**NOTA**

La máquina que se queda encendida pero parada de cualquier actividad de trabajo, se apaga automáticamente después de 2 minutos.

7. Asegurarse de que la máquina no pueda moverse de forma autónoma.

**¡ADVERTENCIA!**

En caso de necesidad inmediata y para parar la máquina y todas sus funciones en caso de emergencia, desconectar el conector de las baterías (9).

Volver a reactivar todas las funciones, reconectando el conector.

MÁQUINA EN FUNCIÓN (LAVADO/SECAMIENTO)

1. Poner en marcha la máquina como indicado en el párrafo precedente.
2. Bajar la boquilla (29) con el pedal (8).
3. Apretar el pulsador One-Touch™ (43) para bajar el cabezal portacepillo y empezar el trabajo de lavado y secado.
4. Empezar el trabajo de limpieza conduciendo la máquina y apretando el asa (2). Si necesario, configurar la velocidad máxima con los pulsadores (46).
5. Regular la cantidad de flujo del detergente apretando el pulsador (49) según las propias necesidades, en función del trabajo que se debe efectuar.



NOTA

Para los 3 primeros niveles de flujos (Fig. 4), la cantidad de solución detergente dispensada se ajusta automáticamente según la velocidad de marcha de la máquina, para poder obtener una cantidad de solución detergente constante por metro lineal de limpieza.

El nivel 4 (si habilitado) proporciona la cantidad máxima posible de solución detergente, independientemente de la velocidad de marcha de la máquina (para modificar la habilitación véase el párrafo Llave de servicio en el capítulo Mantenimiento).

El nivel 0 cierra completamente el flujo de la solución detergente.

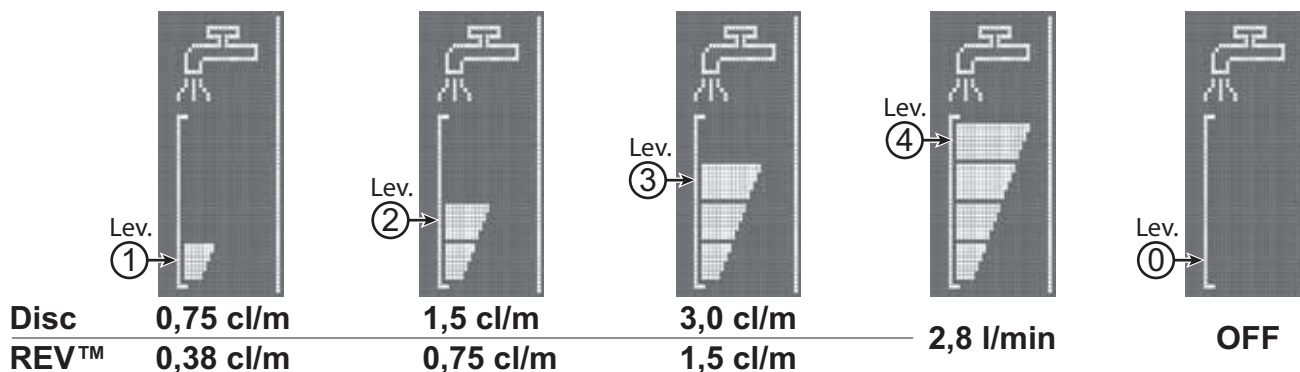


Figura 5

P100858

6. Si necesario, para reducir el ruido, activar la modalidad silenciosa pulsando el interruptor (48).



NOTA

Para un correcto lavado/secado de los suelos en los bordes de las paredes, Advance sugiere acercarse con el lado derecho de la máquina como indicado en la figura 6.

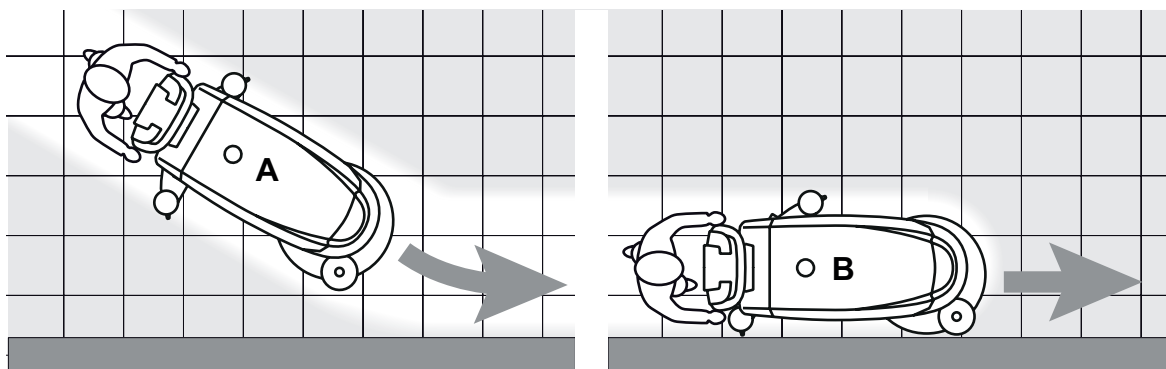


Figura 6

P100845

**¡ADVERTENCIA!**

Para que la superficie del suelo no se dañe, evitar que el cepillo siga funcionando con la máquina parada, especialmente si se trabaja con la presión suplementaria activada.

7. Una vez acabado el trabajo, apretar el pulsador (43) para levantar el cabezal portacepillo. Después de 10 segundos se desactiva también el sistema de aspiración.
8. Levantar la boquilla (29) con el pedal (8).

Ajuste de la concentración de detergente en el agua de lavado

El sistema para la mezcla del detergente con el agua de lavado se activa automáticamente cuando el cepillo está en función.

El porcentaje de detergente añadido al agua de lavado está configurado en el nivel 1 (Fig. 7).

Apretando el pulsador (50) es posible incrementar el porcentaje en el nivel 2 o ponerlo a cero en el nivel 0.

Los porcentajes configurados se visualizan en la pantalla multifunción (51.H).

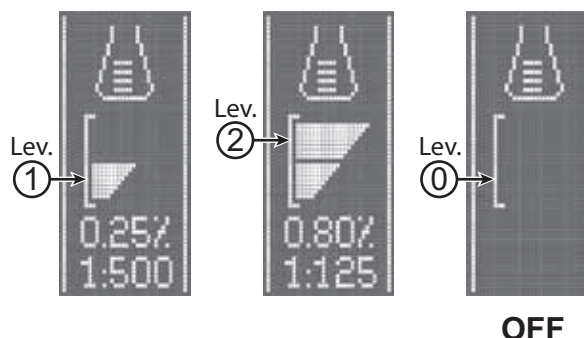


Figura 7

P100846

Sistema EcoFlex™

Apretar el pulsador EcoFlex™ (47) cuando se requiere provisionalmente una mayor potencia de lavado.

Con el sistema EcoFlex™ activado (LED intermitente) se obtiene un incremento de flujo de la solución detergente, la activación de la presión suplementaria del cepillo y un incremento de la concentración de detergente en la solución (nivel 2 si el nivel de configuración era 1 - nivel 1 si el nivel de configuración era 0).

Apretando nuevamente el pulsador EcoFlex™ (47) se vuelve a los ajustes iniciales (LED encendido).

**NOTA**

Cuando no se aprieta el pulsador EcoFlex™ (47) una segunda vez, se vuelve automáticamente a los ajustes iniciales después de 60 segundos.

**NOTA**

Todos los valores indicados arriba de los niveles de las funciones del flujo del detergente y de su concentración, son de configuración de fábrica.

Para modificar las configuraciones de los valores ver el párrafo Llave de servicio en el capítulo Mantenimiento.

Sistema REV™ (sólo para versión REV™)


Apretar el pulsador REV™ (45) cuando se requiere un modo de lavado específico.

Con el sistema REV™ activado se obtiene una disminución velocidad de marcha, la activación de la presión suplementaria del cepillo, la interrupción del detergente y una menor cantidad de agua de lavado.

Trabajo con la función de presión suplementaria del cepillo

En caso de suelo con suciedad muy resistente, es posible trabajar con una presión suplementar de los cepillos sobre el suelo, según el procedimiento siguiente:

1. Apretar el pulsador (43) para bajar el cabezal portacepillo como se indica en el párrafo "Puesta en marcha de la máquina".
2. Mantener apretado el pulsador (43) por más de 1 segundo.

La activación de la presión suplementaria está confirmada por un LED que cambia de verde a rojo y por un icono  en la pantalla (51).

3. Para volver a un trabajo con presión normal, apretar el pulsador (43) por más de 1 segundo.
4. Para levantar el cabezal portacepillo sin volver al trabajo con presión normal, apretar y soltar de inmediato el pulsador (43).

**¡ADVERTENCIA!**

En caso de sobrecarga del motor del cepillo, debido a cuerpos extraños que obstaculizan su movimiento, o a suelos/cepillos demasiado agresivos, un sistema de seguridad se encarga de bloquear el motor.

Si la sobrecarga ocurre durante el trabajo con la función de presión suplementaria activada, el sistema desconecta automáticamente la función de presión suplementaria.

Si la sobrecarga persiste, el cepillo se para.

Para empezar de nuevo el trabajo tras la parada del cepillo por causa de la sobrecarga, es necesario apagar y volver a encender la máquina con el pulsador (42).

Descarga de las baterías durante el trabajo

Cuando solo se queda encendido un segmento intermitente en el símbolo de la batería (51-C) es oportuno cargar las baterías, porque la autonomía residual de la máquina es de pocos minutos (variables en función de las características de las baterías usada y del trabajo que se debe efectuar).

Cuando el símbolo de la batería (51-C) parpadea sin ningún segmento encendido la autonomía es agotada. Tras unos segundos el cepillo se para automáticamente; funciona solo el sistema de aspiración y el sistema de tracción, para poder secar eventuales partes del suelo mojado y llevar la máquina en el lugar de recarga.

**¡ADVERTENCIA!**

Si se insiste en usar la máquina con las baterías descargadas, las baterías se pueden dañar y su vida útil se acorta.

VACIADO DE LOS DEPÓSITOS

Un sistema de cierre automático de flotador (31) bloquea el sistema de aspiración cuando el depósito del agua de recuperación (33) está lleno.

Es posible darse cuenta del bloqueo del sistema de aspiración porque el ruido del motor del sistema de aspiración aumenta y el suelo no seca.



¡ADVERTENCIA!

Si el sistema de aspiración se apaga de forma accidental (por ejemplo por la intervención prematura del flotador durante un desplazamiento imprevisto de la máquina), para reactivarlo apagarlo apretando el pulsador (48), luego abrir la tapa (34) y asegurarse de que el flotador en el interior de la rejilla (31) haya bajado; por último cerrar la tapa (34) y reactivar el sistema de aspiración pulsando el interruptor (48).

Cuando el depósito del agua de recuperación (33) está lleno, vaciarlo según el procedimiento siguiente.

Vaciado del depósito del agua de recuperación

1. Levantar el cabezal portacepillo apretando el pulsador (43).
2. Levantar la boquilla (29) con el pedal (8).
3. Llevar la máquina en el área de eliminación designada.
4. Apagar la máquina con el pulsador (42) y quitar la llave operador (41).
5. Vaciar el depósito del agua de recuperación (33) mediante el tubo de descarga (12). Al final del trabajo, enjuagar el depósito con agua limpia.

Vaciado del depósito del agua de lavado

6. Llevar a cabo los pasos de 1 a 4.
7. Vaciar el depósito del agua de lavado (21) mediante el tubo de nivel (13). Al final del trabajo, enjuagar el depósito con agua limpia.

DESPUÉS DEL USO DE LA MÁQUINA

Cuando el trabajo está acabado, antes de alejarse de la máquina:

1. Quitar el cepillo, mediante el procedimiento específico.
2. Quitar la llave operador (41).
3. Vaciar los depósitos (21) y (33) mediante el procedimiento específico.
4. Efectuar las operaciones de mantenimiento necesarias después del uso de la máquina (véase el capítulo Mantenimiento).
5. Guardar la máquina en un lugar seco y limpio, con el cepillo y la boquilla levantados o desmontados.

PERIODO DE LARGA INACTIVIDAD DE LA MÁQUINA

Si se piensa que la máquina no va a ser usada durante 30 días o más, seguir las indicaciones siguientes:

1. Llevar a cabo los procedimientos indicados en el párrafo Después del uso de la máquina.
2. Vaciar el depósito del detergente (25) del sistema EcoFlex™ y limpiar el sistema con el ciclo de expurgación (véase los procedimientos en el capítulo Mantenimiento).
3. Cerrar el grifo del agua de lavado (18-B).
4. Desconectar el conector de las baterías (9).

MANTENIMIENTO

Un mantenimiento cuidadoso y continuo garantiza la vida útil y la seguridad de funcionamiento de la máquina. El esquema siguiente resume el mantenimiento programado. Los períodos indicados pueden variar según las condiciones de trabajos, que el encargado del mantenimiento debe establecer.



¡ATENCIÓN!

Las operaciones deben efectuarse con la máquina apagada y con las baterías desconectadas. Antes de efectuar las operaciones de mantenimiento, leer cuidadosamente todas las instrucciones del capítulo Seguridad.

Todas las operaciones de mantenimiento programado o extraordinario deben ser efectuadas por el personal calificado o por un Centro de asistencia autorizado.



¡ADVERTENCIA!



Cada vez que se visualiza el icono Service en la pantalla (51), contactar con un Centro de Asistencia autorizado Advance para el mantenimiento programado.

En este manual, después del esquema de mantenimiento programado, se describen sólo los procedimientos de mantenimiento más sencillos y frecuentes.

Para las operaciones de mantenimiento no indicadas en el esquema de mantenimiento programado y las operaciones de mantenimiento extraordinario, véase el Manual de asistencia disponible en los Centros de asistencia.

ESQUEMA DE MANTENIMIENTO PROGRAMADO

Operación	Diaria, después del uso de la máquina	Semanaria	Semestral	Anual
Carga de las baterías				
Limpieza de la boquilla				
Limpieza del cepillo/fieltros				
Limpieza de los depósitos, del filtro del depósito del agua de recuperación y control de la guarnición de la tapa				
Limpieza y expurgación del sistema EcoFlex™				
Control de los cauchos de la boquilla				
Limpieza del filtro del agua de lavado				
Control del nivel del líquido de las baterías (WET)				
Sustitución de los cauchos de la boquilla				
Control o sustitución de las escobillas de carbón del motor del cepillo				(1)
Control o sustitución de las escobillas de carbón del motor del sistema de tracción				(1)
Sustitución de los antivibraciones del cabezal (sólo para versión REV™)				(1)

(1) Mantenimiento de competencia de un Centro de asistencia autorizado Advance.

CARGA DE LAS BATERÍAS



NOTA

Cargar las baterías cuando en el símbolo de la batería (51-C) se queda encendido solo un segmento intermitente, o cada vez que se acaba un trabajo.

Si se mantienen las baterías cargadas, su durabilidad aumenta.



¡ADVERTENCIA!

No dejar las baterías descargadas durante mucho tiempo, porque su durabilidad podría reducirse.

Controlar la carga de las baterías por lo menos una vez por semana.



¡ATENCIÓN!

Si se usan baterías de plomo (WET), cargando las baterías se produce gas hidrógeno muy explosivo. Cargar las baterías sólo en áreas bien ventiladas y lejos de llamas libres.

No fumar cuando se cargan las baterías.

Dejar levantado el depósito del agua de recuperación mientras que se cargan las baterías.



¡ATENCIÓN!

Durante la carga de las baterías de plomo (WET) tener mucho cuidado que el líquido de las baterías no sobresalga. Este líquido es corrosivo. En caso de contacto con la piel o los ojos lavar a conciencia con agua y consultar un médico.

1. Llevar la máquina en el área designada para la carga de las baterías.
2. Asegurarse que la máquina esté apagada con la llave operador (41) sacada.
3. Levantar la tapa (34) y controlar que el depósito del agua de recuperación (33) esté vacío, si no vaciarlo mediante el tubo de descarga (12).
4. Cerrar la tapa (19).
5. Empuñar la manilla (16) y levantar el depósito (33) con cuidado
6. (Sólo para baterías WET) controlar el nivel de electrolito de las baterías. Si necesario, desenroscar los tapones y rellenar. Luego, cerrar los tapones y limpiar la superficie superior de las baterías.
7. Conectar el enchufe del cargador de baterías (6) a la red eléctrica [la tensión y la frecuencia de la red deben ser compatibles con los valores del cargador de baterías indicados en la placa del número de serie de la máquina].



NOTA

Cuando el cargador de baterías está conectado a la red eléctrica, todas las funciones de la máquina se paran automáticamente.

Cuando parpadea el primero o el segundo de los segmentos (desde izquierda) (51-L) en el símbolo de la batería, indica que el cargador de batería está cargando las baterías.

Cuando parpadea el tercer segmento (desde izquierda) en el símbolo de la batería (51-L), indica que el cargador de batería está completando la carga de las baterías.

8. Cuando todos los segmentos en el símbolo de la batería (51-L) están encendidos con luz fija, el ciclo de carga de las baterías se ha acabado.
9. Desconectar el enchufe del cargador de baterías (6) de la red eléctrica e introducirlo en su alojamiento (7).
10. Bajar con cuidado el depósito del agua de recuperación (33).
11. La máquina está lista para el uso.



NOTA

Para informaciones suplementarias sobre el funcionamiento del cargador de baterías (5) véase el manual relacionado.

LLAVE DE SERVICIO (AMARILLA)

Con la llave de servicio (amarilla) es posible controlar informaciones adicionales acerca de algunos parámetros de funcionamiento de la máquina y modificar algunas configuraciones para adaptarlas a las necesidades específicas.

Pantalla principal (E, Fig. 8)

1. Introducir la llave de servicio (amarilla) en lugar de la llave operador (gris) para acceder a la pantalla principal en la pantalla multifunción (51).
2. Apretar el pulsador (A) para proceder a la modificación de las configuraciones de la máquina (véase el párrafo Pantalla configuración de la máquina).
3. Apretar el pulsador (B) para controlar posibles alarmas memorizadas por la máquina (véase el párrafo Pantalla memorias alarmas).
4. Apretar el pulsador (C) para controlar las horas de trabajo de la máquina (véase el párrafo Pantalla contador de horas).
5. Apretar el pulsador (D) para salir de la modalidad servicio y volver a la modalidad operador.

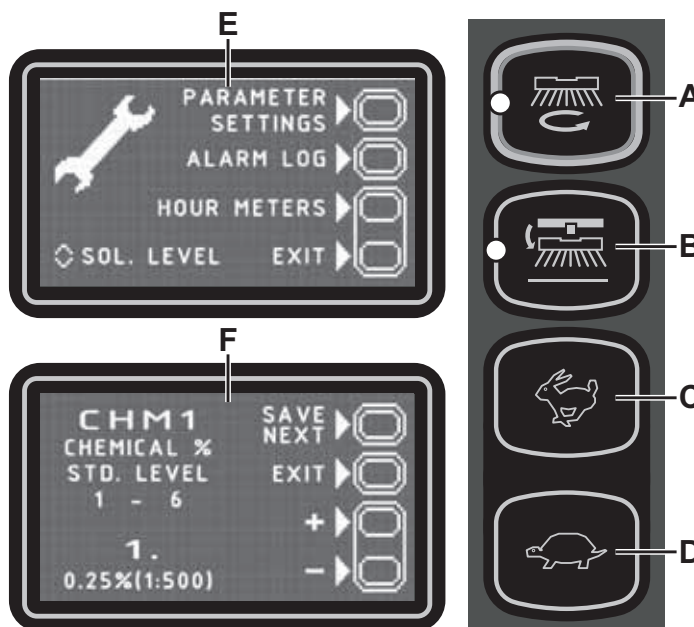


Figura 8

Pantalla configuración de la máquina (F, Fig. 8)

Mediante esta funcionalidad es posible personalizar el valor de los parámetros descritos en la siguiente tabla.

1. Para aumentar el valor del parámetro corriente apretar el pulsador (C). Para reducir el valor del parámetro corriente apretar el pulsador (D).
2. Para pasar el parámetro siguiente apretar el pulsador (A).
3. Para volver a la pantalla principal apretar el pulsador (B).

P100847

TABLA PARÁMETROS MODIFICABLES		Valores			
Cod.	Descripción	Mínimo	Configuración de fábrica	Máximo	
CHM1	Porcentaje concentración detergente nivel 1	1:500 (0,25 %)	1:500 (0,25 %)	1:33 (3 %)	
CHM2	Porcentaje concentración detergente nivel 2	1:500 (0,25 %)	1:125 (0,80 %)	1:33 (3 %)	
P1/P3	Caudal flujo solución nivel 1 en relación con el nivel 3 (caudal en función de la velocidad)	0 %	25 %	100 %	
P2/P3	Caudal flujo solución nivel 2 en relación con el nivel 3 (caudal en función de la velocidad)	0 %	50 %	100 %	
P3	Caudal flujo solución nivel 3 (caudal en función de la velocidad)	DISCO	1,0 cl/m	3,0 cl/m	5,0 cl/m
		REV™	1,0 cl/m	1,5 cl/m	5,0 cl/m
P4	Habilitación nivel 4 (2,8 L/min. independientemente de la velocidad)	OFF	OFF	ON	
SPT	Temporizador función EcoFlex™	0 (deshabilitado)	60 seg.	300 seg.	
XPRES	Habilitación presión suplementar cabezal	OFF	ON	ON	
FVMIN	Velocidad mínima marcha adelante	0 %	25 %	100 %	
FVMAX	Máxima velocidad marcha adelante	10 %	100 %	100 %	
RVMAX	Máxima velocidad marcha atrás	10 %	30 %	50 %	
BAT (**)	Tipología batería instalada (ver tabla)	0	1	5	
TOFF	Tiempo apagado automático	0 (deshabilitado)	300 seg.	600 seg.	
BRGH	Contraste pantalla	5	20	50	
VRID	Nivel potencia de aspiración en modalidad silenciosa	1	1	5	
RPM (*)	Límite activación giros reducidos cepillo	5	9	20	
RESET	Restablecimiento de todos los parámetros a los valores de configuración de fábrica	OFF	OFF	ON	

(*) Aumentar el valor de este parámetro para reducir los giros del motor del cepillo en un rango más amplio de aplicaciones y viceversa.

(**) Como se indica en el capítulo Uso según la tipología de las baterías que se quiera instalar, configurar la máquina y el cargador de baterías incorporado modificando el parámetro BAT como se indica en la tabla:

Tipología batería instalada		Valor
WET	Baterías con ácido líquido	0
GEL / AGM	Baterías GEL o AGM genéricas	1
GEL EXIDE	Baterías de GEL o marca EXIDE®/SONNENSHINE	2
GEL OPTIMA	Baterías de GEL o marca OPTIMA™	3
GEL DISCOVER	Baterías de GEL o marca DISCOVER®	4
GEL FULLRIVER	Baterías de GEL o marca FULLRIVER®	5

Pantalla memoria alarmas (G, Fig. 9)

Mediante esta función es posible averiguar posibles alarmas memorizadas por la máquina.

Utilizar esta función solo con el soporte del Centro de Asistencia Advance para resolver posibles problemas de funcionamiento.

Para volver a la pantalla principal (E, Fig. 8) apretar el repetidamente el pulsador (A).



Figura 9

P100848

Pantalla contador de horas (H, Fig. 10)

Mediante esta función es posible controlar las horas de trabajo acumuladas para cada subsistema de la máquina:

- Contador de horas TOTAL (tiempo de encendido de la máquina)
- Contador de horas TRACCIÓN (tiempo de uso del sistema de tracción)
- Contador de horas CEPILLO (tiempo de uso del sistema de rotación del cepillo)
- Contador de horas ASPIRADOR (tiempo de uso del sistema de aspiración)

Para volver a la pantalla principal (E, Fig. 8) apretar el pulsador (A).

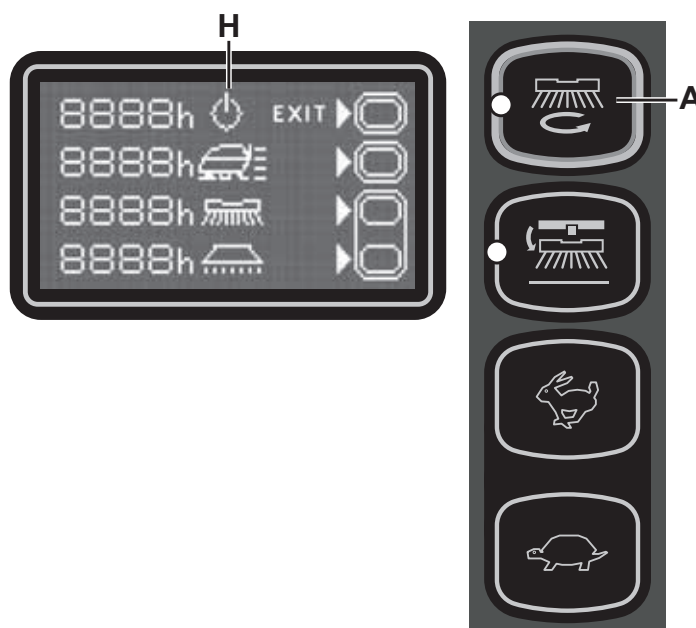


Figura 10

P100849

LIMPIEZA DE LA BOQUILLA



NOTA

Para un buen secamiento, la boquilla debe estar limpia y con los cauchos en buenas condiciones.



¡ADVERTENCIA!

Durante estas operaciones se aconseja usar guantes de trabajo, porque residuos cortantes podrían estar en la boquilla.

1. Llevar la máquina sobre un suelo llano.
2. Asegurarse que la máquina esté apagada con la llave operador (41) sacada.
3. Aflojar las empuñaduras (14) y quitar la boquilla (29).
4. Lavar y limpiar la boquilla. Limpiar especialmente los huecos (A, Fig. 11) y el orificio (B). Controlar que los cauchos delantero (C) y trasero (D) estén en buenas condiciones, que no estén cortados o desgarrados, de lo contrario, sustituirlos mediante el procedimiento indicado en el párrafo siguiente.
5. Montar la boquilla en orden contrario al desmontaje.

CONTROL Y SUSTITUCIÓN DE LOS CAUCHOS DE LA BOQUILLA

1. Limpiar la boquilla como indicado en el párrafo anterior.
2. Controlar que los cauchos delantero (C, Fig. 11) y trasero (D) estén en buenas condiciones, que no estén cortados o desgarrados, de lo contrario, sustituirlos mediante el procedimiento siguiente. Controlar también que la esquina delantera (E) del caucho posterior no esté desgastado; de lo contrario volcar el caucho mismo, llevando en su posición uno de las otras tres esquinas todavía enteros. Si todos los bordes están desgastados, sustituir el caucho, mediante el procedimiento siguiente:
 - Utilizando el trinquete (F), desvincular y quitar la bisagra elástica (G) de los retenes (H), luego sustituir/volcar el caucho posterior (D).
 - Montar el caucho en orden contrario al desmontaje.
 - Desenroscar las empuñaduras (I) y quitar la bisagra (L), luego sustituir/volcar el caucho delantero (C).
 - Montar el caucho en orden contrario al desmontaje.
3. Montar la boquilla (27) y apretar las empuñaduras (14).
4. Bajar la boquilla en el suelo para controlar la altura de los cauchos, actuando mediante el procedimiento siguiente:
 - Controlar que el borde (K) del caucho anterior (C) y el borde (L) del caucho posterior (D) se apoyen como indicado en la figura.
 - Para la regulación utilizar la perilla (15).

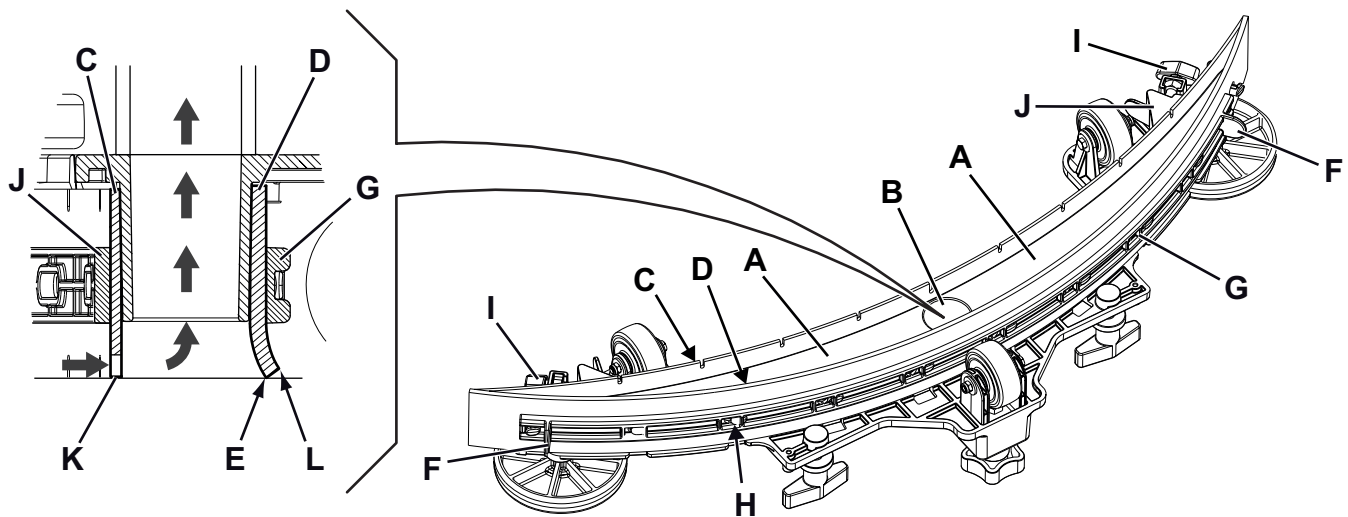


Figura 11

P100850

LIMPIEZA DEL CEPILLO



¡ADVERTENCIA!

Durante estas operaciones se aconseja utilizar guantes de trabajo, porque residuos cortantes podrían estar en el cepillo.

1. Quitar el cepillo de la máquina como indicado en el capítulo Uso.
2. Limpiar y lavar el cepillo con agua y detergente.
3. Controlar que las cerdas no estén dañadas o excesivamente desgastadas; de lo contrario, sustituirlas.

LIMPIEZA DEL DEPÓSITO DEL AGUA DE RECUPERACIÓN

1. Llevar la máquina en el área de eliminación designada.
2. Asegurarse que la máquina esté apagada con la llave operador (41) sacada.
3. Levantar la tapa (34).
4. Descargar el agua del depósito mediante el tubo de descarga (12).
5. Limpiar la rejilla de aspiración (31), desenganchar los retenes (A, Fig. 12), abrir la rejilla (B) y quitar el flotador (C), luego limpiar con cuidado y volver a instalar.
6. Desmontar la cubeta para la recogida de los residuos (D) abrir la tapa y limpiar cuidadosamente y volverla a instalar en el tubo de aspiración.
7. Controlar la integridad de la guarnición (E) de la tapa del depósito.



NOTA

La guarnición (E) permite la formación de vacío en el depósito, necesario para la aspiración del agua de recuperación.

Si necesario, sustituir la guarnición (E), quitándola de su alojamiento (F). Cuando se instala la nueva guarnición, posicionar la unión (G) en el área indicada en la figura.

8. Controlar que toda la superficie perimetral (H) de apoyo de la guarnición (E) no esté dañada, sea limpia y adecuada para la estanqueidad de la guarnición misma.
9. Cerrar la tapa (19).

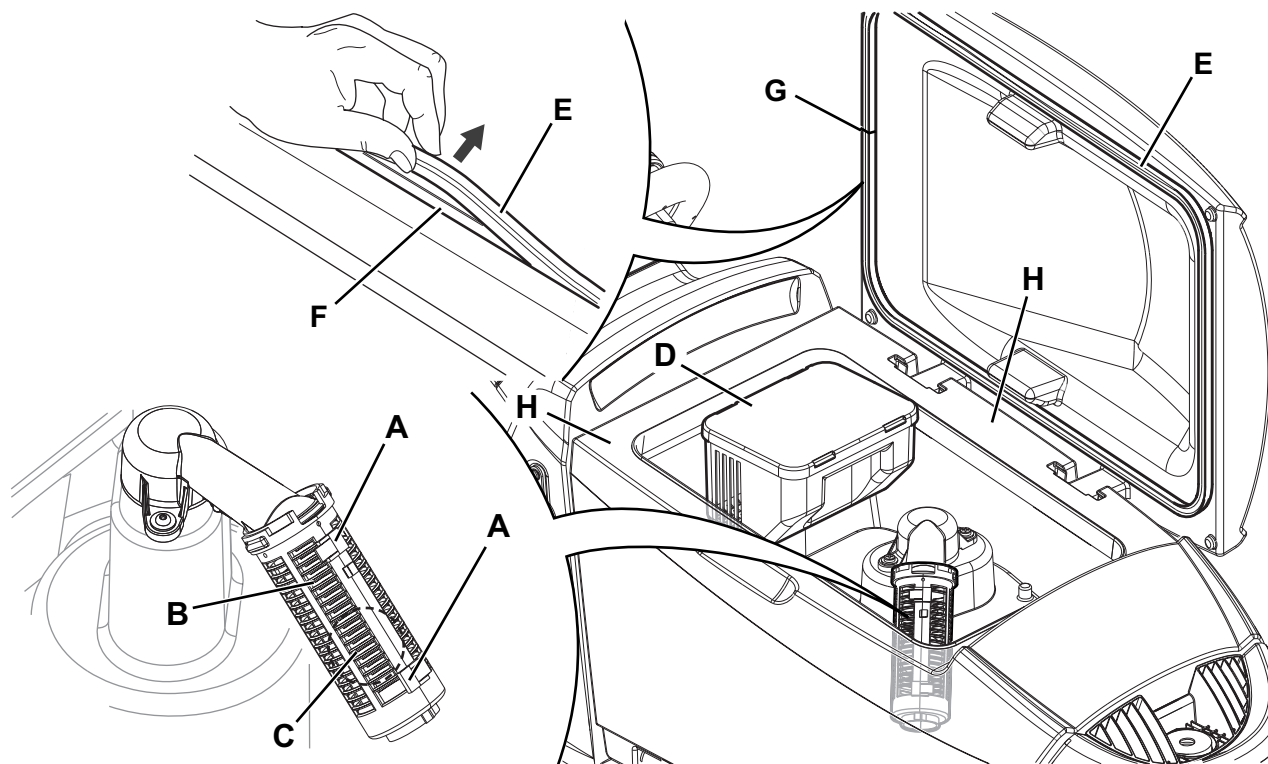


Figura 12

P100851

LIMPIEZA DEL FILTRO DEL AGUA DE LAVADO

1. Llevar la máquina sobre un suelo llano.
2. Asegurarse que la máquina esté apagada con la llave operador (41) sacada.
3. Cerrar el grifo del agua de lavado (A, Fig. 13). El grifo está cerrado cuando está en la posición (B) y está abierto cuando está en la posición (C).
4. Quitar la tapa transparente (D) con la guarnición (E), luego quitar la rejilla filtrante (F). Lavarlos y enjuagarlos con agua, luego volverlos a montar con cuidado en el soporte del filtro (G).
5. Abrir el grifo (A).

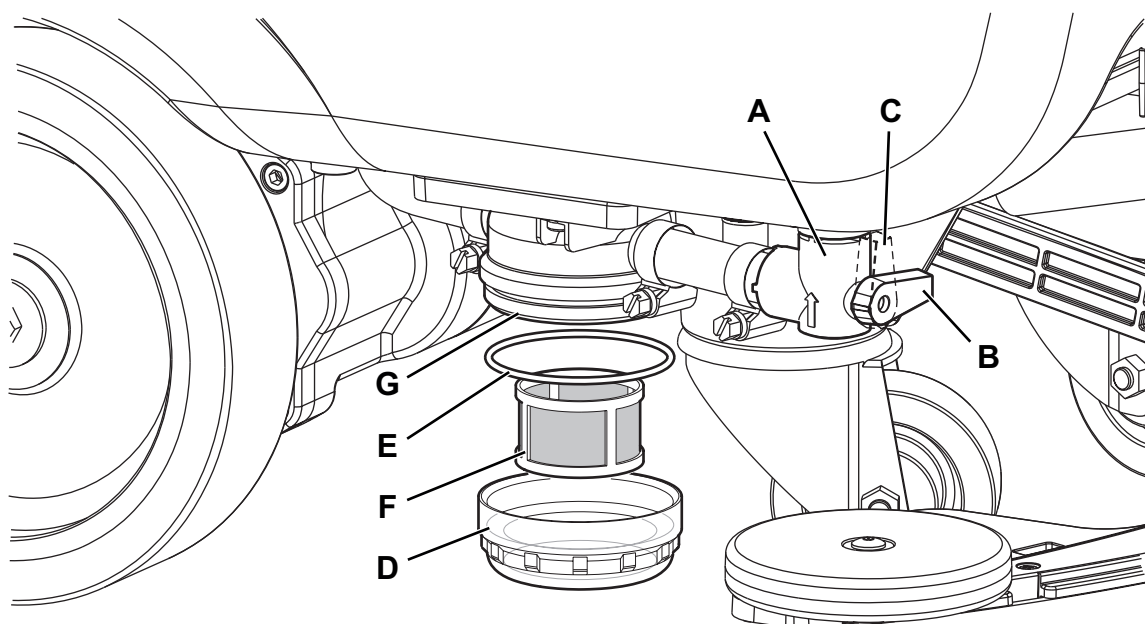


Figura 13

P100852

AJUSTE DE LA MARCHA RECTILÍNEA DE LA MÁQUINA

Según el tipo de suelo, o según la utilización del cepillo o del fieltro, puede variar la velocidad de marcha rectilínea de la máquina. En caso de que la máquina con el cabezal bajado y durante el trabajo de limpieza, desvíe de la dirección rectilínea de avance, se puede actuar sobre la perilla(35) en sentido horario o antihorario para corregir la desviación y obtener un comportamiento neutral.

LIMPIEZA DEL DEPÓSITO DEL DETERGENTE ECOFLEX™

Limpiar el depósito del detergente (25) efectuando el procedimiento siguiente.

1. Llevar la máquina en el área de eliminación designada.
2. Asegurarse que la máquina esté apagada con la llave operador (41) sacada.
3. Levantar la tapa (34) y controlar que el depósito del agua de recuperación (33) esté vacío, si no vaciarlo mediante el tubo de descarga (12).
4. Cerrar la tapa (19).
5. Empuñar la manilla (16) y levantar el depósito (33) con cuidado.
6. Desenroscar la tapa (A, Fig. 14) del depósito del detergente (B).
7. Quitar el depósito.
8. Volver a enjuagar el depósito con agua limpia en la zona de eliminación.
9. Volver a colocar el depósito del detergente (B) en su alojamiento como indicado en la figura y volver a montar el tapón (A).
10. Después del vaciado del depósito del detergente puede ser necesario expurgar el sistema EcoFlex™ (véase el procedimiento en el párrafo siguiente).

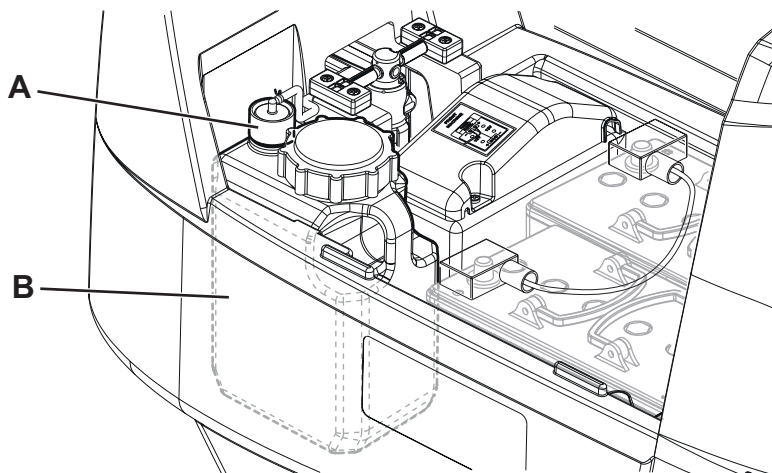


Figura 14

P100853

PURGA SISTEMA ECOFLEX™

Limpiar el depósito del detergente como indicado en el párrafo anterior.

Para quitar los residuos de detergente en las tuberías y en la bomba del detergente, efectuar el procedimiento siguiente.

1. Introducir la llave operador (41) en su alojamiento del panel de control (3) para encender la máquina, o, si la llave ya se encuentra en su alojamiento, apretando el pulsador (42).
2. Apretar el pulsador (43). Controlar que en pantalla el indicador de cantidad del detergente (51-G) tenga encendido por los menos un segmento.
3. Apretar contemporáneamente los pulsadores (49) y (50), hasta que no aparece en pantalla (51-M) (después de unos 5 segundos).
4. Soltar los pulsadores (49) y (50) y esperar que en pantalla acabe la cuenta atrás y que el sistema de aspiración empiece a funcionar.
5. Aspirar los residuos de detergente que han quedado en el suelo.
6. Sacar la llave operador (41).
7. Levantar el depósito (33), luego controlar que el tubo del depósito del detergente (25) esté vacío, de lo contrario repetir los pasos de 3 a 7.



NOTA

El ciclo de expurgación dura unos 30 segundos, después de que se activa automáticamente la función de aspiración que permite eliminar los residuos de detergente.

La expurgación se puede efectuar aun si el depósito del detergente (25) está lleno de agua. De esta forma, el lavado del sistema sería total.

Es necesario efectuar esta expurgación cuando el sistema EcoFlex™ está muy sucio/incrustado después de inactividad/falta de limpieza de la máquina durante largos períodos.

También se puede efectuar la expurgación para acelerar el llenado del tubo de aspiración del detergente cuando el depósito (25) está lleno y el sistema está todavía vacío.

La expurgación, si necesaria, puede efectuarse varias veces consecutivamente.

CONTROL/SUSTITUCIÓN DE LOS FUSIBLES



NOTA

Todos los circuitos eléctricos de la máquina están protegidos por dispositivos electrónicos de auto-reactivación. Los fusibles de seguridad se activan sólo en caso de avería grave.

Por lo tanto se recomienda que la sustitución de los fusibles sea efectuada sólo por el personal cualificado.

Consultar el Manual de asistencia disponible en los revendedores Advance.

BÚSQUEDA AVERÍAS

AVERÍA	PROBABLE CAUSA	SOLUCIÓN
Los motores no funcionan, no se enciende ni la pantalla (51) ni los LEDs de los pulsadores.	El conector de la batería está desconectado.	Conectar.
	Baterías completamente descargadas.	Cargar las baterías.
La máquina no se mueve y la pantalla (51) muestra el mensaje de alarma: AVISO DE ALARMA T3	Encendido de la máquina con asa presionada.	Soltar el asa. Si el problema sigue existiendo, contactar con un Centro de asistencia autorizado.
Cuando se pone en marcha la máquina, el LED del pulsador (43) parpadea y el cepillo no funciona.	Apagado de la máquina sin haber levantado previamente el cabezal portacepillo.	Esperar que el cabezal esté levantado antes de activar de nuevo el cepillo apretando el pulsador.
El cepillo no funciona, el contorno del símbolo batería (51-C) parpadea y en la pantalla se visualiza el mensaje de alarma: AVISO DE ALARMA G4	Baterías descargadas.	Cargar las baterías. Si el problema persiste, sustituir las baterías.
Durante el trabajo aparece el mensaje de alarma: AVISO DE ALARMA F2	Sobrecarga del motor del cepillo.	Usar un cepillo menos duro o de tipo diferente o no trabajar con la presión suplementaria activada.
	Cuerpos extraños (hilos enrollados, etc.) que puedan frenar la rotación del cepillo.	Limpiar los cubos de los cepillos.
La pantalla (51) muestra el mensaje de alarma: AVISO DE ALARMA T2	Sobrecarga motor de tracción.	Apagar y volver a encender la máquina. Evitar el uso de la máquina en inclinaciones superiores a la indicada, y de superar obstáculos demasiado altos.
Durante la carga de las baterías con cargador de baterías integrado, en pantalla (51) se visualiza el mensaje de alarma: AVISO DE ALARMA C4 o C5	Cargador de batería no puede cargar correctamente las baterías en los tiempos máximos previstos.	Efectuar nuevamente el ciclo de carga de las baterías. Si el problema persiste, sustituir las baterías.
La pantalla (51) muestra el mensaje de alarma: AVISO DE ALARMA XX Donde "XX" se sustituye por un código diferente de los antecedentes.	Condición de alarma del sistema electrónico de control de la máquina.	Apagar y volver a encender la máquina. Si el problema sigue existiendo, contactar con un Centro de asistencia autorizado.
La aspiración de agua sucia es insuficiente.	El depósito del agua de recuperación está lleno.	Vaciar el depósito.
	Rejilla de aspiración obstruida o flotador en cierre.	Limpiar la rejilla de aspiración.
	Contenedor con rejilla de recogida de residuos obstruido.	Limpiar.
	Tubo desconectado de la boquilla.	Conectarlo.
	Boquilla sucia o cauchos de la boquilla desgastados o dañados.	Limpiar la boquilla o volcar/sustituir los cauchos.
	La tapa del depósito no está cerrada correctamente, o la guarnición está desgastada.	Cerrar correctamente la tapa o limpiar/sustituir la guarnición.
El flujo de la solución detergente al cepillo es insuficiente.	El depósito del agua de lavado está vacío.	Llenarlo.
	El filtro del agua de lavado está sucio.	Limpiar el filtro.
	El depósito del sistema EcoFlex™ está sucio/incrustado.	Limpiar mediante ciclo de purga.
La boquilla causa estriados en el suelo.	Residuos bajo de los cauchos de la boquilla.	Quitar los residuos.
	Cauchos de la boquilla desgastados, astillados o desgarrados.	Volcar o sustituir los cauchos.
	Boquilla no fue equilibrada mediante la empuñadura.	Ajustar la boquilla.



NOTA

La máquina no puede funcionar sin el cargador de baterías.

Si el cargador de baterías está averiado, acudir a un Centro de asistencia autorizado.

Para explicaciones o informaciones, contactar con los Centros de asistencia Advance.

ELIMINACIÓN

Eliminar la máquina en un demolidor calificado.

Antes de eliminar la máquina es necesario quitar y separar los siguientes materiales y eliminarlos según las actuales normas de higiene ambiental:

- Baterías
- Cepillos
- Tubos y componentes de plástico
- Componentes eléctricos y electrónicos (*)

(*) En particular, para la eliminación de componentes eléctricos y electrónicos, contactar con Advance.

Composición de material de la máquina y reciclabilidad

Tipo	% reciclable	% de peso de la SC500
Aluminio	100 %	7 %
Motores eléctricos - misc.	29 %	29 %
Materiales ferrosos	100 %	2 %
Cableados	80 %	2 %
Líquidos	100 %	0 %
Plástico - no reciclable	0 %	2 %
Plástico - reciclable	100 %	7 %
Polietileno	92 %	48 %
Caucho	20 %	2 %

TABLE DES MATIÈRES

INTRODUCTION	2
BUT ET CONTENU DU MANUEL	2
DESTINATAIRES.....	2
CONSERVATION DU MANUEL.....	2
DONNÉES D'IDENTIFICATION	2
AUTRES MANUELS DE RÉFÉRENCE.....	2
PIÈCES DE RECHANGE ET ENTRETIEN	2
MODIFICATIONS ET AMÉLIORATIONS	2
CAPACITÉS OPÉRATIONNELLES	3
CONVENTIONS	3
DÉBALLAGE / LIVRAISON	3
SÉCURITÉ	3
SYMBOLES VISIBLES SUR LA MACHINE.....	3
SYMBOLES UTILISÉS DANS LE MANUEL.....	4
INSTRUCTIONS GÉNÉRALES.....	4
DESCRIPTION DE LA MACHINE	6
STRUCTURE DE LA MACHINE.....	6
TABLEAU DE BORD	8
ACCESSOIRES / OPTIONS.....	9
CARACTÉRISTIQUES TECHNIQUES.....	9
SCHÉMA ÉLECTRIQUE.....	10
UTILISATION	11
CONTRÔLE / PRÉPARATION DES BATTERIES SUR UNE MACHINE NEUVE	11
INSTALLATION DES BATTERIES.....	11
AVANT LA MISE EN MARCHÉ DE LA MACHINE	12
MISE EN MARCHÉ ET ARRÊT DE LA MACHINE	14
MACHINE AU TRAVAIL (LAVAGE / SÉCHAGE)	14
VIDANGE DES RÉSERVOIRS.....	17
APRÈS L'UTILISATION DE LA MACHINE	17
INACTIVITÉ PROLONGÉE DE LA MACHINE	17
ENTRETIEN	18
PLAN D'ENTRETIEN PROGRAMMÉ.....	18
CHARGEMENT DES BATTERIES	19
CLÉ DE SERVICE (JAUNE)	20
NETTOYAGE DE L'EMBOUCHURE	22
CONTRÔLE ET REMPLACEMENT DES LAMELLES EN CAOUTCHOUC DE L'EMBOUCHURE	22
NETTOYAGE DE LA BROSSE À DISQUE.....	23
NETTOYAGE DU RÉSERVOIR DE L'EAU DE RÉCUPÉRATION	23
NETTOYAGE DU FILTRE DE L'EAU DE LAVAGE.....	24
RÉGLAGE DE L'AVANCE RECTILINÉAIRE DE LA MACHINE.....	24
NETTOYAGE DU RÉSERVOIR DU DÉTERGENT ECOFLEX™	25
VIDANGE DU SYSTÈME ECOFLEX™	25
CONTRÔLE / REMPLACEMENT DES FUSIBLES	26
DÉPISTAGE DES PANNES	26
MISE À LA FERRAILLE	27

INTRODUCTION



REMARQUE

Les nombres entre parenthèses se réfèrent aux composants indiqués au chapitre Description de la machine.

BUT ET CONTENU DU MANUEL

Ce manuel se propose de fournir à l'opérateur toutes les informations nécessaires afin qu'il puisse utiliser la machine correctement et la gérer de la manière la plus autonome et sûre. Il comprend des informations concernant l'aspect technique, la sécurité, le fonctionnement, l'arrêt de la machine, l'entretien, les pièces de rechange et la mise à la ferraille.

Avant d'effectuer toute opération sur la machine, les opérateurs et les techniciens qualifiés doivent lire attentivement les instructions contenues dans ce manuel. En cas de doutes sur la correcte interprétation des instructions, contacter Advance pour avoir plus de renseignements.

DESTINATAIRES

Ce manuel s'adresse aux opérateurs aussi bien qu'aux techniciens préposés à l'entretien de la machine.

Les opérateurs ne doivent pas exécuter les opérations réservées aux techniciens qualifiés. Advance ne répond pas des dommages dus à l'inobservance de cette interdiction.

CONSERVATION DU MANUEL

Le Manuel des instructions d'utilisation doit être gardé près de la machine, dans une enveloppe spéciale et, surtout, loin de liquides et de tout ce qui pourrait en compromettre l'état de lisibilité.

DONNÉES D'IDENTIFICATION

Le numéro de série et le modèle de la machine sont indiqués sur la plaque (4).

La plaque indique également l'année de fabrication et le code du produit.

Ces informations sont nécessaires lors de la commande des pièces de rechange de la machine. Utiliser l'espace suivant pour noter les données d'identification de la machine.

Modèle de la MACHINE
Code du PRODUIT
Numéro de série de la MACHINE

AUTRES MANUELS DE RÉFÉRENCE

- Manuel du chargeur de batterie électronique, qui constitue une partie intégrante de ce manuel
- Catalogue de pièces de rechange (livré avec la machine)
- Manuel d'entretien (consultable seulement par les techniciens préposés auprès des Services après-vente Advance)

PIÈCES DE RECHANGE ET ENTRETIEN

Pour toute nécessité concernant l'emploi, l'entretien et la réparation, s'adresser au personnel qualifié ou directement aux Services après-vente Advance. N'utiliser que des pièces de rechange et accessoires d'origine.

Pour l'assistance ou la commande de pièces de rechange et d'accessoires, contacter Advance en spécifiant toujours le modèle, le code du produit et le numéro de série.

MODIFICATIONS ET AMÉLIORATIONS

Advance vise à un constant perfectionnement de ses produits et se réserve le droit d'effectuer des modifications et des améliorations lorsqu'elle le considère nécessaire sans l'obligation de modifier les machines précédemment vendues.

Il est entendu que toute modification et / ou addition d'accessoires doit toujours être approuvée et réalisée par Advance.

CAPACITÉS OPÉRATIONNELLES

L'autolaveuse SC500 est conçue et fabriquée pour le nettoyage (lavage et séchage) de sols lisses et solides, en milieux civils et industriels, en conditions de complète sécurité, par un opérateur qualifié.

L'autolaveuse n'est pas adaptée au lavage de tapis ou moquettes.

CONVENTIONS

Toutes les références à en avant, en arrière, avant, arrière, droite ou gauche indiquées dans ce manuel doivent être considérées comme référées à l'opérateur en position de conduite, les mains sur la poignée (1).

DÉBALLAGE / LIVRAISON

Pour déballer la machine, suivre attentivement les instructions sur l'emballage.

Lors de la livraison de la machine, contrôler attentivement que l'emballage et la machine n'ont pas été endommagés pendant le transport.

Si les dommages sont évidents, garder l'emballage de façon qu'il puisse être examiné par le transporteur qui l'a livré. Contacter immédiatement le transporteur pour remplir une demande de dommages-intérêts.

Contrôler que les composants suivants sont livrés avec la machine :

- Documentation technique :
 - Manuel des instructions d'utilisation de l'autolaveuse
 - Manuel du chargeur de batterie électronique
 - Catalogue de pièces de rechange de l'autolaveuse



AVERTISSEMENT !

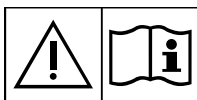
Les Produits vendus avec le présent manuel contiennent ou peuvent contenir des produits chimiques reconnus par certains gouvernements (comme l'État de Californie, par le biais de la proposition de loi d'avertissement réglementaire 65) comme provoquant des cancers, des anomalies congénitales et autres dangers pour la reproduction. Dans certains endroits (comme l'État de Californie), les acheteurs de ces Produits, qui les utilisent sur un lieu de travail ou dans un espace public, ont l'obligation d'apposer certains avis, avertissements ou informations concernant les produits chimiques qui sont ou peuvent être contenus dans les Produits dans ces lieux ou aux alentours de ces lieux de travail. Il incombe à l'acheteur de connaître les dispositions de, et de respecter, toutes les lois et réglementations ayant trait à l'utilisation de ces Produits au sein de tels environnements. Le Fabricant rejette toute responsabilité d'informer les acheteurs concernant des exigences spécifiques qui peuvent s'appliquer à l'utilisation des Produits dans de tels environnements.

SÉCURITÉ

On utilise les symboles suivants pour signaler les conditions de danger potentielles. Lire attentivement ces informations et prendre les précautions nécessaires pour protéger les personnes et les choses.

Pour éviter tout accident, la collaboration de l'opérateur est essentielle. Aucun programme de prévention des accidents du travail ne peut résulter efficace sans la totale collaboration de la personne directement responsable du fonctionnement de la machine. La plupart des accidents qui peuvent survenir dans une entreprise, pendant le travail ou les déplacements, sont dus à l'inobservance des plus simples règles de prudence. Un opérateur attentif et prudent est la meilleure garantie contre les accidents du travail et se révèle indispensable pour compléter n'importe quel programme de prévention.

SYMBOLES VISIBLES SUR LA MACHINE



ATTENTION !

Lire attentivement toutes les instructions avant toute opération dans la machine.



ATTENTION !

Ne pas laver la machine avec des jets d'eau directs ou sous pression.



ATTENTION !

Ne pas utiliser la machine sur des surfaces ayant une pente supérieure aux valeurs indiquées.

SYMBOLES UTILISÉS DANS LE MANUEL



DANGER !

Indique une situation dangereuse exposant l'opérateur au risque de blessures graves, voire mortelles.



ATTENTION !

Indique une situation exposant les personnes au risque de blessures.



AVERTISSEMENT !

Indique un avertissement ou une remarque sur des fonctions clé ou utiles.

Prêter la plus grande attention aux segments de texte marqués par ce symbole.



REMARQUE

Indique une remarque sur des fonctions clé ou utiles.



CONSULTATION

Indique la nécessité de consulter le Manuel des instructions d'utilisation avant toute opération.

INSTRUCTIONS GÉNÉRALES

Les avertissements et précautions spécifiques suivants informent sur les potentiels dangers de dommages matériels ou blessures.



DANGER !

- Avant d'effectuer toute opération de nettoyage, d'entretien et de remplacement des composants ou la conversion en d'autres fonctions, enlever la clé de contact (ou de démarrage) et débrancher le connecteur de la batterie.
- Cette machine doit être utilisée uniquement par le personnel adéquatement formé.
- Ne pas porter de bijoux quand on travaille près de composants électriques.
- Ne pas travailler sous la machine soulevée, sans des supports fixes de sécurité convenables.
- Ne pas opérer avec cette machine en présence de poudres, liquides ou vapeurs nuisibles, dangereux, inflammables et / ou explosifs : la machine ne doit pas être utilisée pour ramasser des matériaux dangereux.
- Si des batteries au plomb (WET) sont installées dans la machine, tenir les étincelles, les flammes et les matériaux fumants loin des batteries. Les batteries produisent des gaz potentiellement explosifs pendant l'utilisation ordinaire.
- Si des batteries au plomb (WET) sont installées dans la machine, le chargement des batteries produit un gaz hydrogène très explosif. Soulever le réservoir de l'eau de récupération pendant le cycle de rechargement des batteries et effectuer cette opération dans un endroit bien aéré et loin de flammes libres.



ATTENTION !

- Avant d'effectuer toute opération d'entretien / réparation, lire attentivement toutes les instructions qui concernent l'entretien / réparation.
- La clé de contact (ou de démarrage) de la machine est équipée d'aimants intégrés. Ne pas placer d'objets contenant une bande magnétique (cartes de crédit, clés électroniques, cartes téléphoniques ou similaires) à côté de la clé. L'aimant intégré pourrait endommager ou effacer les données stockées sur la bande magnétique.
- Avant d'utiliser le chargeur de batterie, s'assurer que la fréquence et la tension indiquées sur la plaque avec numéro de série coïncident avec la tension du réseau.
- Ne pas utiliser le câble du chargeur de batterie pour tirer ou transporter la machine et ne pas utiliser le câble comme poignée. Ne pas fermer de porte sur le câble du chargeur de batterie, ne pas tirer le câble sur des surfaces ou coins tranchants. Ne pas faire passer la machine sur le câble du chargeur de batterie.
- Tenir le câble du chargeur de batterie éloigné des surfaces chaudes.
- Ne pas charger les batteries de la machine si le câble du chargeur ou la fiche sont endommagés.
- Pour réduire le risque d'incendie, chocs électriques ou blessures, ne pas laisser la machine sans surveillance lorsqu'elle est branchée au réseau électrique. Débrancher le câble du chargeur de batterie du réseau électrique avant d'effectuer toute opération d'entretien.
- Ne pas fumer pendant le chargement des batteries.
- Pour éviter toute utilisation non autorisée de la machine, enlever la clé de contact.
- Avant de laisser la machine sans surveillance, veiller à ce que celle-ci ne puisse pas bouger de façon autonome.

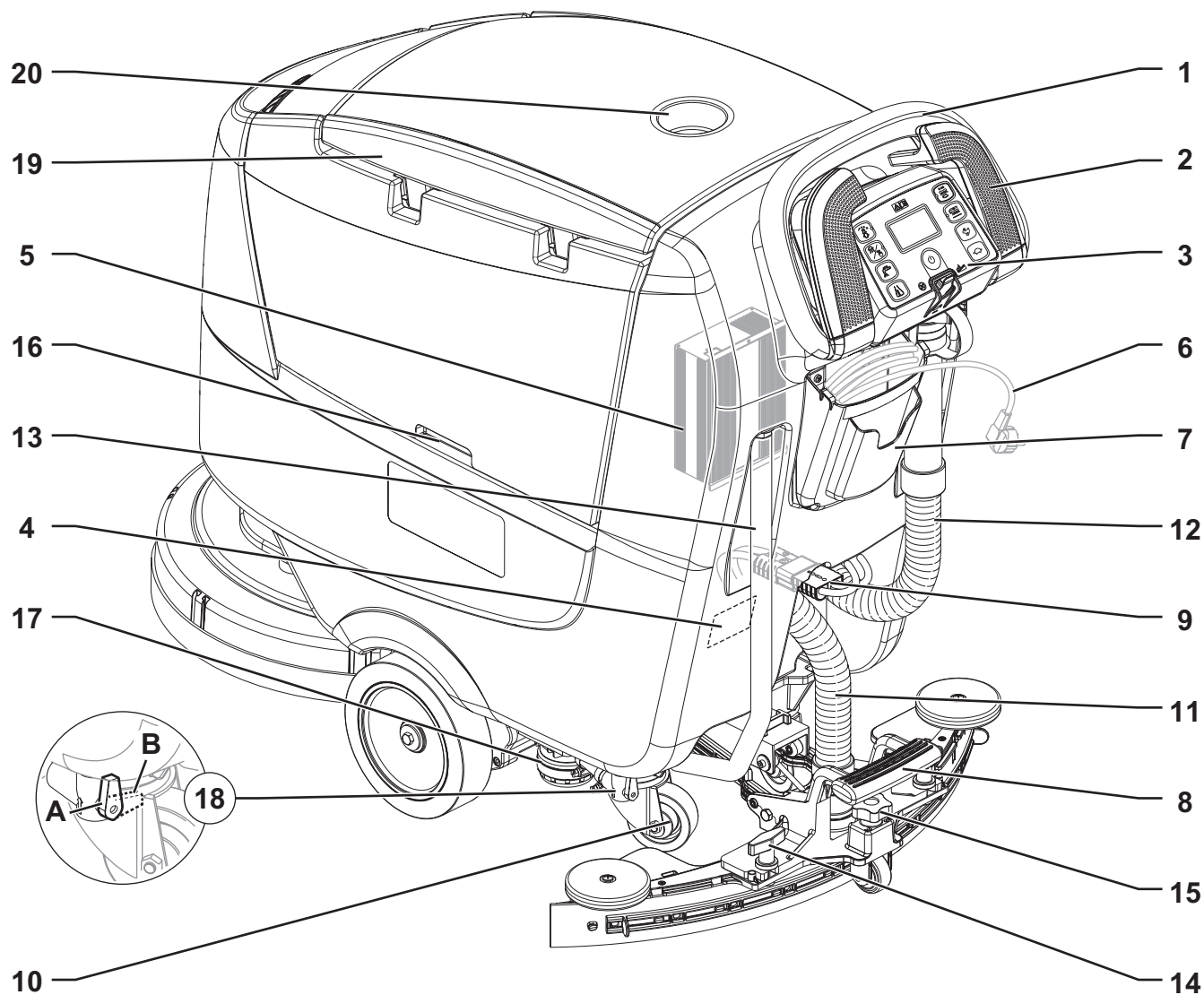
**ATTENTION !**

- Protéger toujours la machine du soleil, de la pluie et d'autres intempéries, pendant le fonctionnement et en état d'arrêt. Garder la machine dans un endroit couvert et sec : elle a été conçue pour l'utilisation à sec, par conséquent elle ne doit pas être utilisée ou gardée dehors, dans des conditions d'humidité.
- Avant d'utiliser la machine, fermer tous les volets et/ou carters comme indiqué sur le Manuel des instructions d'utilisation.
- La machine ne doit être utilisée par des personnes (y compris les enfants) aux capacités physiques, mentales et sensorielles limitées ou dépourvues de l'expérience ou de la formation que sous la supervision ou avec les directives d'une personne responsable de leur sécurité.
Les enfants doivent être surveillés afin de s'assurer qu'ils ne jouent pas avec la machine.
- Faire attention lorsque la machine est utilisée à proximité des enfants. Ne pas utiliser à des fins autres que celles prévues dans ce manuel. Utiliser seulement les accessoires recommandés par Advance.
- Inspecter la machine avec soin avant de l'utiliser et vérifier toujours que tous les composants ont été correctement installés avant de mettre la machine en service. L'utilisation de la machine qui n'est pas installée parfaitement peut provoquer des lésions aux personnes et endommager les équipements.
- Prendre les précautions convenables afin que les cheveux, les bijoux, les parties non adhérentes des vêtements ne soient pas capturés par les parties en mouvement de la machine.
- Ne pas utiliser la machine sur des surfaces en pente.
- Afin de ne pas compromettre la stabilité, ne pas incliner la machine d'un angle supérieur à la valeur indiquée sur la machine même.
- Ne pas utiliser la machine dans des endroits très poussiéreux.
- Utiliser la machine seulement dans des endroits bien illuminés.
- Pendant l'utilisation de la machine, faire attention à sauvegarder l'intégrité des personnes et des choses.
- Ne pas heurter contre des étagères ou des échafaudages, en particulier en cas de danger de chute d'objets.
- Ne pas poser de conteneurs de liquides sur la machine, utiliser le porte-boissons spécial.
- La température de travail de la machine doit être comprise entre +32 °F et 104 °F (0 °C et +40 °C).
- La température de stockage de la machine doit être comprise entre +32 °F et 104 °F (0 °C et +40 °C).
- L'humidité doit être comprise entre 30 % et 95 %.
- Pendant l'utilisation de détergents pour le nettoyage des sols, suivre toujours les instructions et les avertissements indiqués sur les étiquettes des flacons.
- Avant la manipulation de détergents pour le nettoyage des sols, mettre les gants et les vêtements de protection adéquats.
- Ne pas utiliser la machine comme moyen de transport.
- Ne pas faire travailler la brosse / disque lorsque la machine est arrêtée pour ne pas endommager le sol.
- En cas d'incendie, il est préférable d'utiliser un extincteur à poudre, plutôt qu'un extincteur à eau.
- Ne pas altérer pour aucune raison les protections prévues pour la machine, respecter scrupuleusement les instructions prévues pour l'entretien ordinaire.
- Ne pas laisser entrer d'objets dans les ouvertures. Ne pas utiliser la machine si les ouvertures sont obstruées. Garder les ouvertures de la machine libres de poussière, filasse, poils et tout autre corps étranger à même de réduire le flux d'air.
- Ne pas enlever ou altérer les plaques apposées sur la machine.
- Si l'on doit déplacer la machine par poussée pour des raisons de service (manque de batteries, batteries déchargées, etc.), ne jamais dépasser la vitesse de 2,5 mi/h (4 km/h).
- La machine n'est pas approuvée pour l'utilisation sur la voie publique.
- Faire attention pendant les déplacements de la machine en conditions de températures inférieures au point de congélation. L'eau présente dans le réservoir de l'eau de récupération ou dans les tuyaux pourrait se congeler et endommager sérieusement la machine.
- Utiliser les brosses et les disques livrés avec la machine et ceux spécifiés dans le Manuel des instructions d'utilisation. L'utilisation de brosses ou disques différents peut compromettre la sécurité.
- S'assurer que les éventuelles anomalies de fonctionnement de la machine ne dépendent pas du manque d'entretien. En cas contraire, demander l'intervention du personnel autorisé ou d'un Service après-vente autorisé.
- En cas de remplacement de pièces, demander les pièces de rechange D'ORIGINE à un Concessionnaire ou Revendeur autorisé.
- Afin de garantir la sécurité et le bon fonctionnement de la machine, faire effectuer l'entretien programmé prévu au chapitre spécifique de ce manuel par du personnel autorisé ou par un Service après-vente autorisé.
- Ne pas laver la machine avec des jets d'eau directs ou sous pression ou avec des substances corrosives.
- Lors de la mise à la ferraille, la machine ne doit pas être abandonnée par la présence de matériaux toxiques (batteries, etc.), sujets à des lois qui prévoient l'élimination auprès de centres spéciaux (voir le chapitre Mise à la ferraille).

DESCRIPTION DE LA MACHINE

STRUCTURE DE LA MACHINE

- | | |
|---|---|
| <ol style="list-style-type: none"> 1. Poignée de conduite 2. Paddle d'actionnement et marche avant / arrière 3. Tableau de bord 4. Plaque avec numéro de série / données techniques / marquage de conformité 5. Chargeur de batterie 6. Câble d'alimentation chargeur de batterie 7. Compartiment de logement du câble du chargeur de batterie et du porte-documents 8. Pédale de soulèvement / abaissement embouchure 9. Connecteur (rouge) des batteries. <p>Ce connecteur a aussi la fonction D'URGENCE, pour l'arrêt immédiat de toutes les fonctions.</p> <ol style="list-style-type: none"> 10. Roues arrières pivotantes | <ol style="list-style-type: none"> 11. Tuyau d'aspiration embouchure 12. Tuyau de vidange eau de récupération 13. Tuyau de niveau et de vidange eau de lavage 14. Boutons de fixation embouchure 15. Poignée de réglage embouchure 16. Poignée de soulèvement réservoir 17. Filtre eau de lavage 18. Robinet eau de lavage: <ol style="list-style-type: none"> A) Robinet ouvert B) Robinet fermé 19. Couvercle réservoir eau de récupération 20. Porte-boissons |
|---|---|

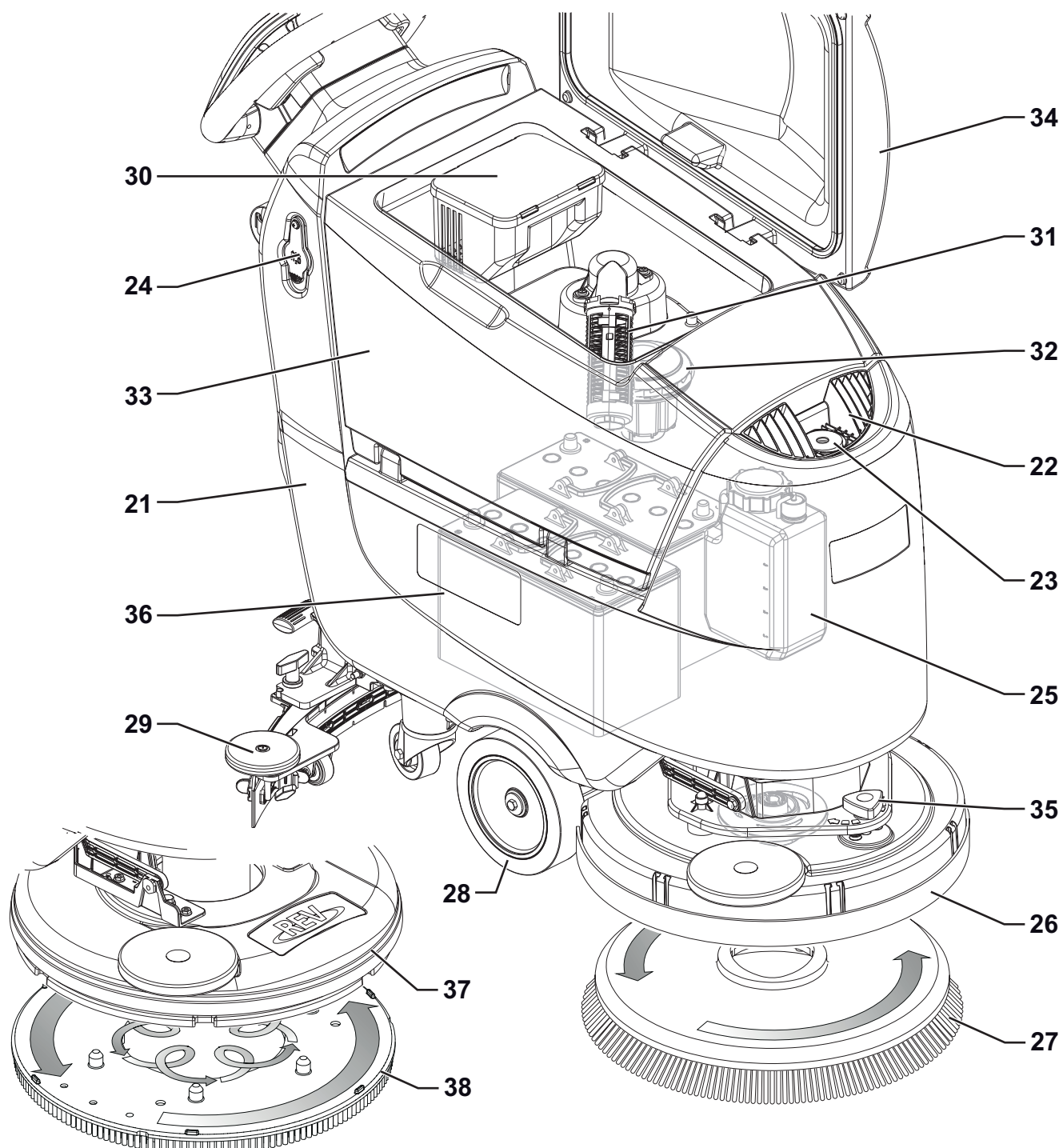


P100837

STRUCTURE DE LA MACHINE (suite)

- | | |
|---|---|
| 21. Réservoir eau de lavage | 30. Bac de récupération des débris |
| 22. Goulotte avant de remplissage du réservoir d'eau de lavage | 31. Grille d'aspiration avec fermeture automatique à flotteur |
| 23. Tuyau extractible pour remplissage à l'eau | 32. Moteur système d'aspiration |
| 24. Bouchon de la goulotte latérale de remplissage du réservoir d'eau de lavage | 33. Réservoir eau de récupération |
| 25. Réservoir de détergent Ecoflex™ | 34. Couvercle réservoir eau de récupération ouvert |
| 26. Tête porte-brosses support disque | 35. Poignée de réglage avance rectilinéaire machine |
| 27. Brosse | 36. Batteries (en option) |
| 28. Roues avant de traction | 37. Tête REV™ (*) |
| 29. Embouchure | 38. Brosse REV™ (*) |

(*) Uniquement pour versions REV™

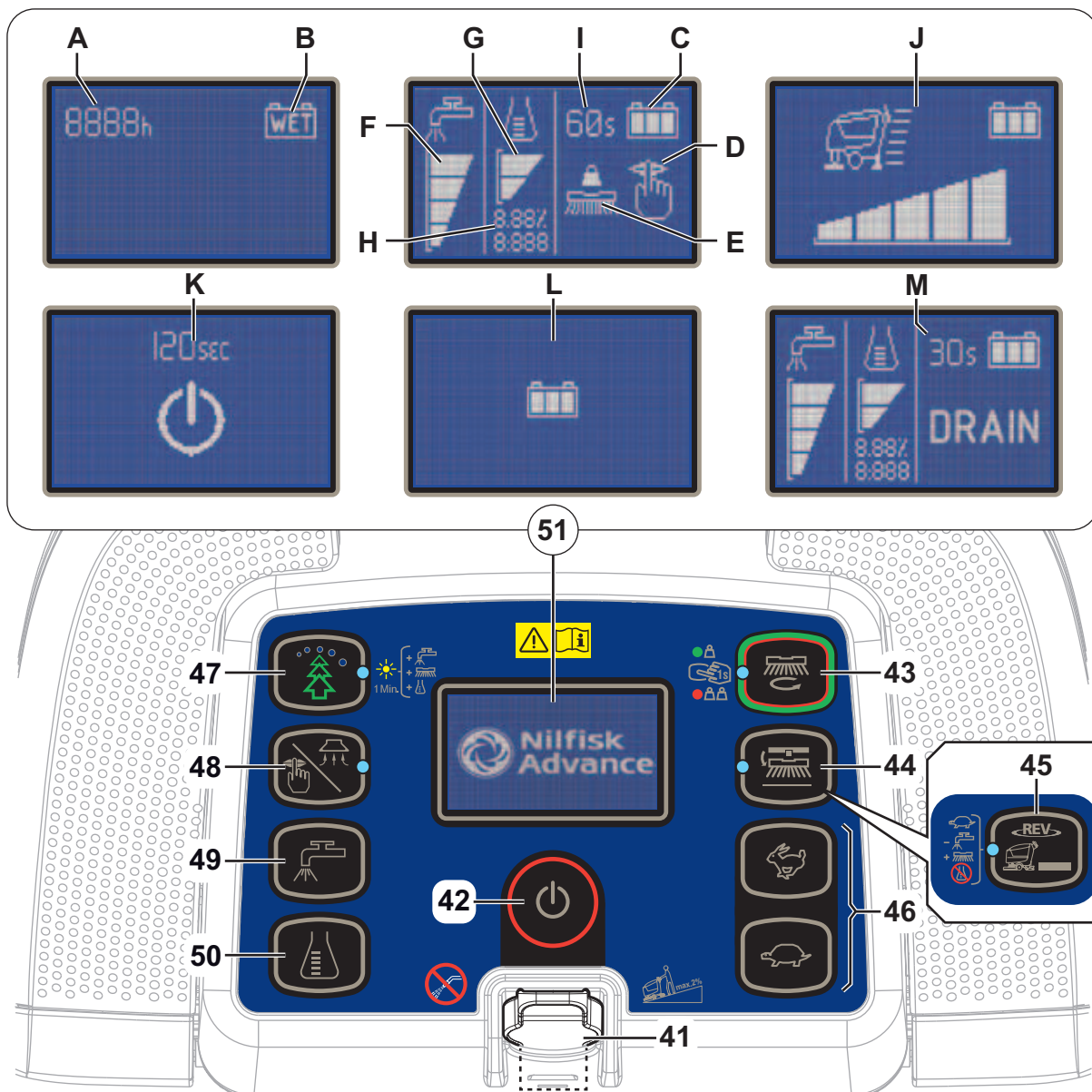


P100854

TABLEAU DE BORD

41. Clé de contact/arrêt machine
- Clé opérateur (grise)
 - Clé de service (jaune) (voir le chapitre Entretien)
42. Bouton de contact/arrêt machine
43. Bouton One-Touch™ lavage/séchage
- Del verte clignotante - soulèvement / abaissement tête porte-brosses
 - Del verte - machine en fonction
 - Del rouge - (appuyer et maintenir pendant une seconde) pression de la brosse supplémentaire
44. Bouton déclenchement brosse
- Del clignotante - système de déclenchement activé
45. Bouton-poussoir fonction REV™ (*)
- Del allumé - système activé
46. Boutons de réglage de la vitesse de marche de la machine
- Lièvre - augmentation de la vitesse
 - Tortue - diminution de la vitesse
47. Bouton-poussoir système Ecoflex™
- Del allumée - EcoFlex™ en fonction
 - DEL clignotant - condition temporaire de neutralisation
48. Bouton de réglage / arrêt du système d'aspiration
- Del allumée - système d'aspiration activé
49. Bouton de réglage du flux de détergent
50. Bouton de réglage du pourcentage de la lessive de lavage
51. Écran multi-fonction
- Affichages :
- A) Heures de travail
B) Type de batteries
C) État de charge des batteries
D) Mode d'aspiration
E) Mode de travail de la brosse
F) Montant de flux de la solution détergente
G) Montant en pourcentage de détergent
H) Pourcentages de détergent dans l'eau de lavage
I) Système de priorité de la minuterie EcoFlex™
J) Réglage de la vitesse maximale de marche
K) Minuterie arrêt automatique
L) Rechargement des batteries avec chargeur de batteries intégré
M) Activation de purge du système Ecoflex™

(*) Uniquement pour versions REV™



P100855

ACCESSOIRES / OPTIONS

Outre les composants présents dans le modèle standard, la machine peut être équipée des accessoires optionnels suivants, selon l'emploi spécifique de la machine :

- Batteries GEL / AGM
- Brosses de matériaux différents par rapport aux brosses standard
- Disques de matériaux différents par rapport aux disques standard
- Jupe de protection
- Lamelles en caoutchouc naturel de l'embouchure

Pour de plus amples informations relatives aux accessoires optionnels susmentionnés, s'adresser au revendeur agréé.

CARACTÉRISTIQUES TECHNIQUES

Modèle	Advance SC500 20 B	Advance SC500 20R B
Capacité réservoir eau de lavage	12 US gal (45 litres)	
Capacité réservoir eau de récupération	12 US gal (45 litres)	
Longueur machine	50,3 in (1.277 mm)	51,2 in (1.302 mm)
Largeur machine avec embouchure	28,3 in (720 mm)	
Largeur machine sans embouchure	21 in (532 mm)	21,2 in (538 mm)
Hauteur machine	41,8 in (1.063 mm)	
Largeur de nettoyage	20 in (530 mm)	
Diamètre roues de traction	7,8 in (200 mm)	
Pression spécifique au sol des roues de traction	101 psi (0,7 N/mm ²)	
Diamètre roues arrière de direction	3,1 in (80 mm)	
Pression spécifique au sol roues arrière	304 psi (2,1 N/mm ²)	
Diamètre brosse / disque	20 in (530 / 508 mm)	
Pression brosse avec extra-pression désactivée	33 lb (15 kg)	49 lb (22 kg)
Pression brosse avec extra-pression activée	66 lb (30 kg)	66 lb (30 kg)
Valeurs du débit de la solution détergente	0,75 cl/m / 1,5 cl/m 3,0 cl/m / 2,8 l/min	0,38 cl/m / 0,75 cl/m 1,5 cl/m / 2,8 l/min
Pourcentage de détergent du système EcoFlex™	Rapport 1:500 ÷ 1:33 (0,25 % ± 3 %)	
Pression acoustique à l'oreille de l'opérateur (ISO 11201, ISO 4871, EN 60335-2-72) (LpA)	63 ± 3 dB(A)	65 ± 3 dB(A)
Pression acoustique à l'oreille de l'opérateur en mode silencieux (LpA)	60 ± 3 dB(A)	61 ± 3 dB(A)
Puissance acoustique émise par la machine (ISO 3744, ISO 4871, EN 60335-2-72) (LwA)	81 dB(A)	83 dB(A)
Niveau de vibrations au bras de l'opérateur (ISO 5349-1, EN 60335-2-72)	< 98,4 in/s ² (< 2,5 m/s ²)	
Pente maximum d'usage	2 %	
Puissance moteur système de traction	0,27 hp (200 W)	
Vitesse de traction (variable)	0 - 3,1 mi/h (0 - 5 km/h)	
Puissance moteur système d'aspiration	0,37 hp (280 W)	
Dépression système d'aspiration	760 mm H ₂ O (29,9 in H ₂ O)	
Puissance moteur brosse	0,6 hp (450 W)	0,9 HP (670 W)
Vitesse de rotation de la brosse	155 tr/mn	-
Puissance totale absorbée (*)	0,7 hp (500 W)	
Degré de protection IP	X4	
Classe de protection (électrique)	III (I pour le câble du chargeur)	
Dimensions logement batteries	13,7x13,7x10,2 in (350x350x260 mm)	
Tension système	24 V	
Batteries standard (quantité 2)	12 V 105 AhC5	
Chargeur de batterie	24 V 13 A	
Autonomie de travail (batteries standard) (*)	3,5 h	
Poids sans batteries et avec réservoirs vides	187 lb (85 kg)	194 lb (88 kg)
Poids maximum en ordre de marche (PTC)	456 lb (207 kg)	463 lb (210 kg)
Poids d'expédition	256 lb (116 kg)	262 lb (119 kg)

(*) Valeurs en conditions standard de travail (EN 60335-2-72)

SCHÉMA ÉLECTRIQUE

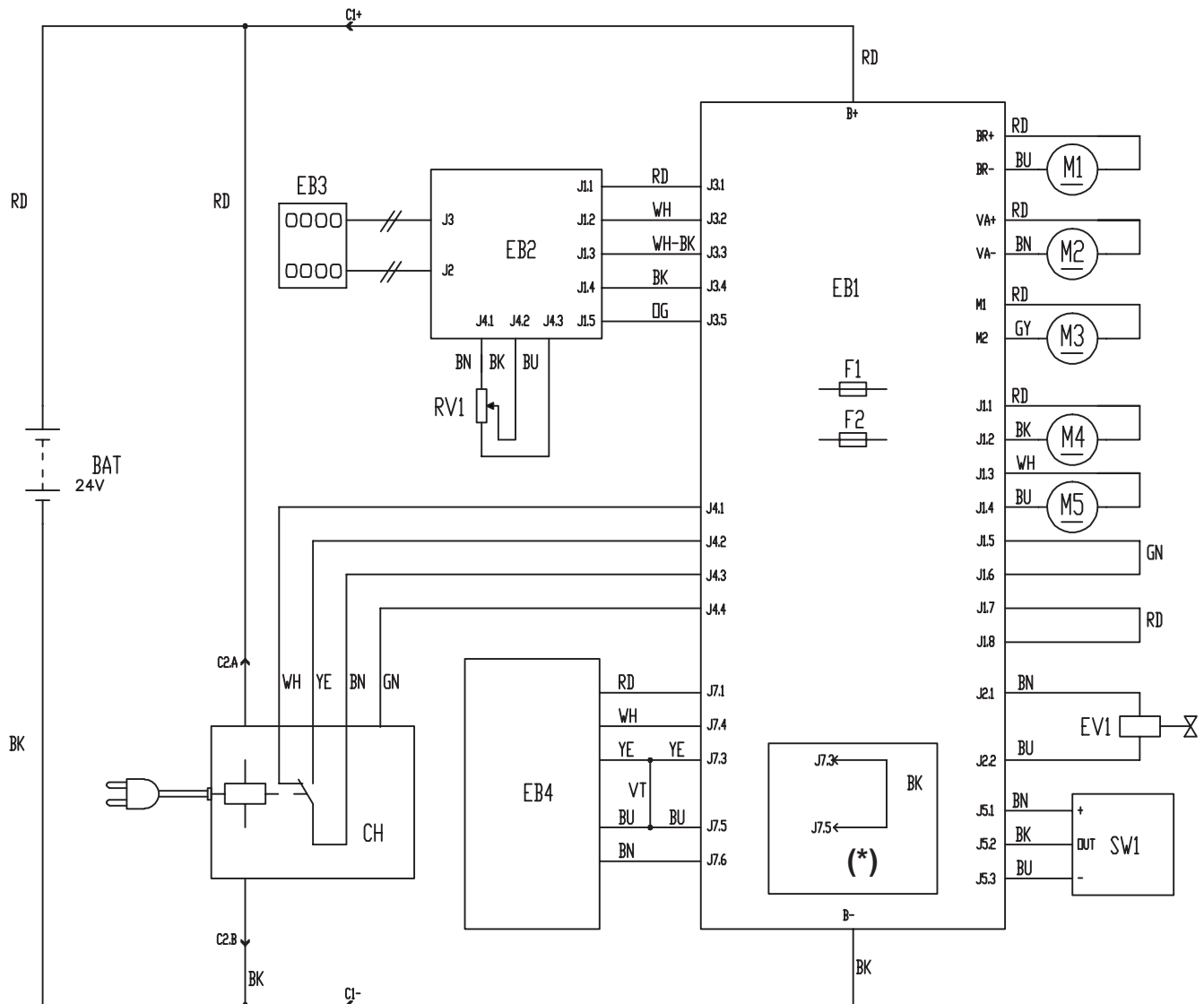
Légende

BAT	Batteries 24 V
C1	Connecteur batteries
C2	Connecteur principal chargeur de batterie
C3	Connecteur secondaire chargeur de batterie
CH	Chargeur de batterie
EB1	Carte électronique de fonctions
EB2	Carte électronique afficheur
EB3	Carte sérigraphie tableau de bord
EB4	TrackClean (optionnel)
EV1	Électrovanne
F1	Fusible carte électronique de fonctions
F2	Fusible circuits de signaux
M1	Moteur brosse
M2	Moteur d'aspiration
M3	Moteur de traction
M4	Pompe EcoFlex™
M5	Actionneur tête porte-brosses
RV1	Potentiomètre vitesse
SW1	Capteur de niveau du détergent

Codes des couleurs

BK	Noir
BU	Bleu
BN	Marron
GN	Vert
GY	Gris
OG	Orange
PK	Rose
RD	Rouge
VT	Violet
WH	Blanc
YE	Jaune

(*) Version sans système TrackClean



P100856

UTILISATION



ATTENTION !

Des plaques adhésives appliquées sur certains points de la machine indiquent :

- DANGER
- ATTENTION
- AVERTISSEMENT
- CONSULTATION

Lors de la lecture de ce manuel, l'opérateur doit bien comprendre le sens des symboles illustrés sur les plaques (voir le paragraphe Symboles visibles sur la machine).

Ne pas couvrir les plaques et les remplacer immédiatement en cas d'endommagement.

CONTRÔLE / PRÉPARATION DES BATTERIES SUR UNE MACHINE NEUVE



ATTENTION !

Les composants électriques de la machine peuvent être sérieusement endommagés si les batteries ne sont pas installées et branchées correctement. Les batteries doivent être installées par le personnel qualifié.

Régler la machine en fonction du type de batterie utilisé.

Contrôler les batteries avant l'installation pour vérifier qu'elles ne sont pas endommagées.

Débrancher le connecteur des batteries et la fiche du chargeur de batterie.

Déplacer les batteries avec attention.

Installer les protections des bornes des batteries équipées avec la machine.

La machine requiert 2 batteries de 12 V, branchées selon le schéma indiqué en Figure 1.

La machine peut être livrée selon les modèles suivants :

Batteries installées dans la machine et prêtes à l'utilisation

1. S'assurer que le connecteur des batteries (9) est branché.
2. Lors de la première utilisation de la machine avec des batteries neuves, effectuer un cycle de rechargement complet de la batterie (voir la procédure dans le chapitre Entretien).

Sans batteries

1. Acheter des batteries adéquates (voir le paragraphe « Caractéristiques techniques »). Pour le choix et l'installation, s'adresser à des revendeurs de batteries qualifiés.
2. En fonction du type de batterie choisi, régler la machine selon les indications dans le paragraphe Clé de service dans le chapitre Entretien.

INSTALLATION DES BATTERIES

Installation des batteries

1. Enlever la clé opérateur (41).
2. Débrancher le connecteur (9) des batteries.
3. Ouvrir le couvercle (34) et vérifier si le réservoir de l'eau de récupération (33) est vide. Dans le cas contraire, le vider au moyen du tuyau de vidange (12).
4. Fermer le couvercle (34).
5. Saisir la poignée (16) et soulever le réservoir (33) avec soin.
6. La machine est équipée en usine avec suffisamment de câbles pour installer 2 batteries de 12 V. Soulever délicatement la batterie jusqu'au compartiment correspondant, puis les ranger correctement.
7. Placer et installer les câbles des batteries comme indiqué dans le schéma de la Figure 1, puis serrer soigneusement l'écrou sur chaque borne de la batterie.
8. Brancher le connecteur des batteries (9).
9. Saisir la poignée (16) et baisser le réservoir (33) avec soin.

Chargement des batteries

10. Effectuer un cycle de rechargement complet des batteries (voir la procédure au chapitre Entretien).

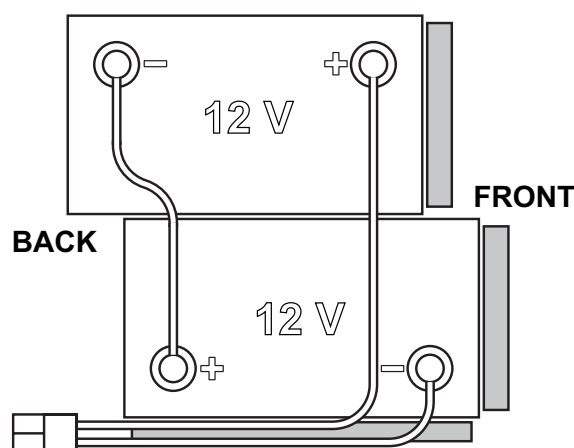


Figure 1

P100841

AVANT LA MISE EN MARCHÉ DE LA MACHINE**ATTENTION !**

Lors de l'allumage de la machine, chaque fois que l'on allume la machine ou avant d'actionner le bouton One-Touch™ (43), vérifier qu'il n'y ait pas de corps étrangers entre la tête et le groupe réservoir qui peuvent empêcher le mouvement de la tête. Lorsqu'on rallume la machine, la tête se soulève automatiquement, si la machine a été éteinte sans que l'on ait soulevé la tête.

Installation / dépose de la brosse ou du plateau support disque (système à disque)

1. Sur la machine, et la brosse (A, Fig. 2) et le plateau support disque (B) avec disque (C) peuvent être installés, en fonction du traitement à effectuer sur le sol.
2. Insérer la clé opératrice (41) dans son logement du panneau de commande (3).
3. Porter à la vitesse d'avance au minimum en appuyant sur le bouton de tortue (46).
4. Positionner la brosse (A) ou le plateau support disque (B) sous la tête porte-brosses (26).
5. Appuyer sur le bouton (43) pour abaisser la tête sur la brosse.
6. Pour accrocher la brosse, appuyer le paddle (2), puis le relâcher. Si besoin est, répéter la procédure jusqu'à l'accrochage de la brosse.

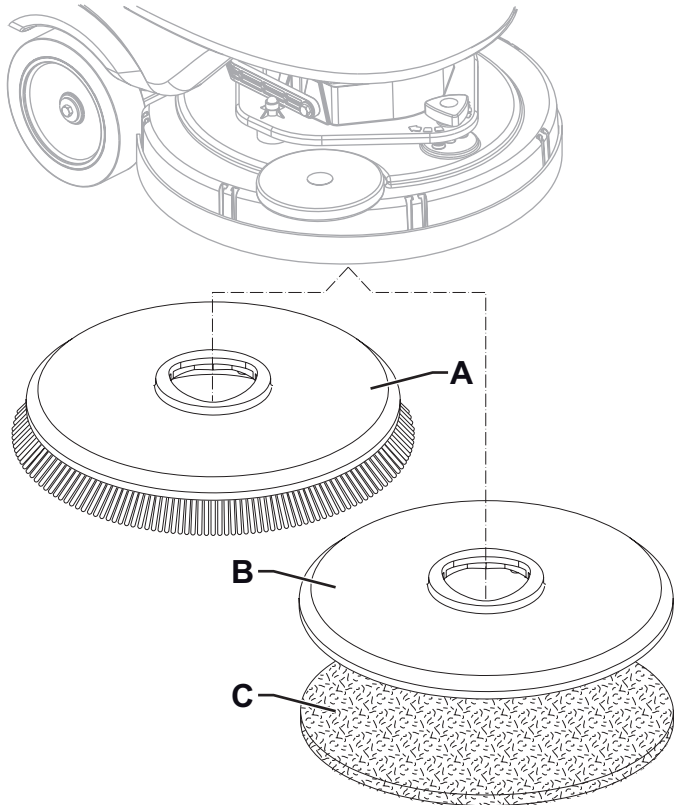


Figure 2

P100842

**AVERTISSEMENT !**

Régler la vitesse de la machine au minimum et appuyer brièvement sur le paddle sinon la machine se met en mouvement.

7. Pour retirer la brosse est nécessaire de soulever la tête en appuyant sur le bouton (43), puis appuyer sur le bouton de déclenchement (44).



Lorsqu'on affiche l'icône sur l'écran (51), attendre que la brosse tombe sur le sol.

Types de brosses disponibles et guide pour leur application des brosses (suggestions uniquement)

Modèles	46 GRIT	80 GRIT	180 GRIT	240 GRIT	500 GRIT	PROLENE	PROLITE	UNION MIX
Nettoyage général :								
Béton								
Pavage terrasse								
Carreaux de céramique / de carrière								
Marbre								
Carreaux de vinyle								
Carreaux de caoutchouc								
Polissage :								
Carreaux de caoutchouc								
Marbre								
Carreaux de vinyle								

Installation / dépose du disque ou de la brosse (système REV™)

1. S'assurer que la tête REV™ (37) soit soulevée.
2. Arrêter la machine et extraire la clé opérateur (41).
3. En fonction du traitement à effectuer sur le sol, installer le disque (A, Fig. 3) ou la brosse (C, en option) en suivant les instructions ci-dessous :
 - Placer le disque (A) sous la tête et l'appuyer jusqu'à la fixation avec le velcro du disque d'entraînement (B).
 - Placer la brosse (C, optionnelle) sous la tête, puis faire correspondre les pions de centrage (D) aux trous respectifs du disque d'entraînement (B), ensuite accrocher la brosse avec les trois vis de fixation (E).
4. Pour déposer le disque ou la brosse procéder dans l'ordre inverse de la repose.

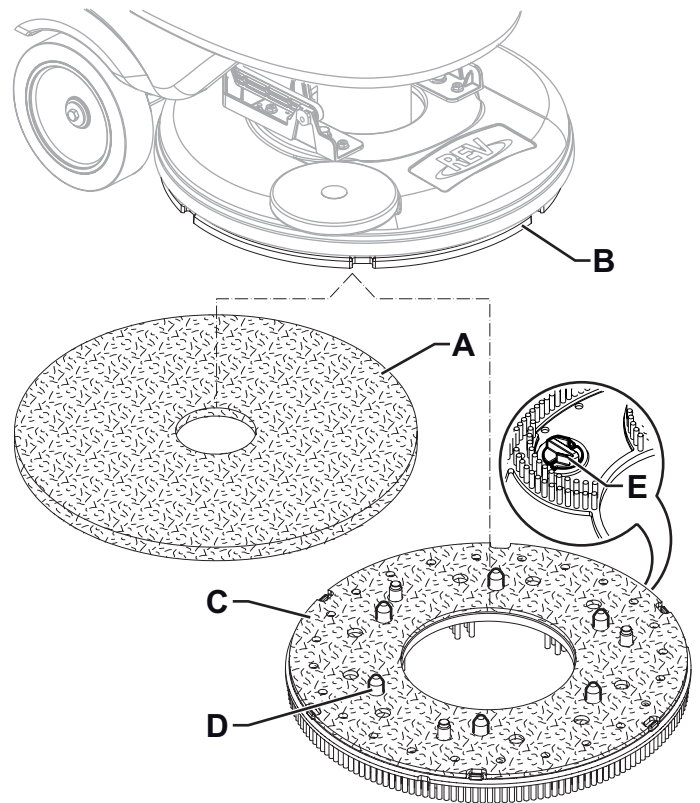


Figure 3

P100857

Installation de l'embouchure

1. Installer l'embouchure (A, Fig. 4) et la fixer avec les boutons (B) à l'étrier (C).
2. Si nécessaire, régler l'embouchure avec la poignée (D) de sorte que le pneu arrière (E) et le pneu avant (F) touchent le sol, comme indiqué dans la figure.

Remplissage du réservoir de l'eau de lavage

1. S'assurer que le robinet de l'eau de lavage (18) est en position ouverte (18-A).
2. Pour remplir le réservoir de l'eau de lavage (21) utiliser le tuyau extractible pour remplissage à l'eau (23) de la goulotte avant (22), ou ouvrir le bouchon (24) pour accéder à la goulotte latérale.
3. Remplir le réservoir (21) avec de l'eau propre. Ne jamais remplir complètement le réservoir, mais laisser toujours quelques centimètres du bord. Utiliser le tuyau de niveau (13) comme référence. La température de l'eau ne doit jamais être supérieure à 40 °C.

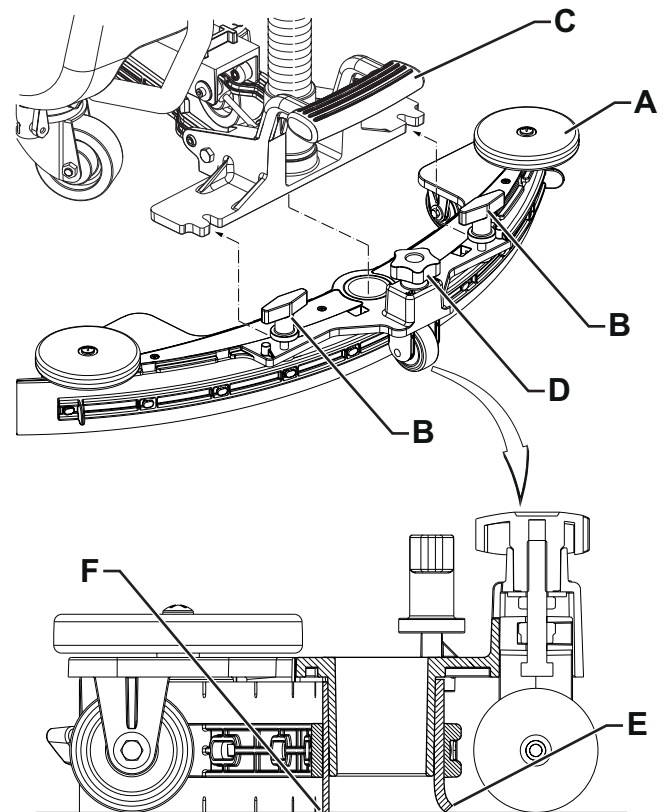


Figure 4

P100843

Remplissage du réservoir du détergent EcoFlex™**ATTENTION !**

Pendant l'utilisation de détergents pour le nettoyage des sols, suivre toujours les instructions et les avertissements indiqués sur les étiquettes des flacons.

Avant la manipulation de détergents pour le nettoyage des sols, mettre les gants et les vêtements de protection adéquats.

4. Ouvrir le couvercle (34) et vérifier si le réservoir de l'eau de récupération (33) est vide. Dans le cas contraire, le vider au moyen du tuyau de vidange (12).
5. Fermer le couvercle (19).
6. Saisir la poignée (16) et soulever le réservoir (33) avec soin.
7. Remplir le réservoir (25) avec un détergent adéquat au travail à effectuer (détergent à haute concentration).
Ne jamais remplir complètement le réservoir du détergent, mais laisser toujours quelques centimètres du bord.

**AVERTISSEMENT !**

Utiliser exclusivement des détergents liquides peu mousseux et non inflammables, adéquats pour les machines utilisées.

**REMARQUE**

Pour accélérer le remplissage des tuyaux et le fonctionnement du système (en cas de nouveau système, de système vidé pour effectuer le nettoyage, etc.), il peut être convenable d'effectuer un ou plusieurs cycles de vidange du système EcoFlex™ (voir la procédure au chapitre Entretien).

MISE EN MARCHÉ ET ARRÊT DE LA MACHINE**Mise en marche de la machine**

1. Préparer la machine comme indiqué au paragraphe précédent.
2. Insérer la clé opérateur (41) dans son siège du panneau de commande (3) pour allumer la machine, ou bien, si la clé est déjà dans son siège, appuyer sur le bouton (42).
3. Dans les 2 premières secondes de l'allumage, l'écran multi-fonction (51) montre les heures de travail de la machine (51-A) et le type de batteries installées (51-B).

**REMARQUE**

Contrôler l'état de charge des batteries.

Quand sur l'écran multifonction est allumé au moins un segment qui ne clignote pas dans le symbole de la batterie (51-C), la machine est prête à l'emploi.

Lorsque dans le symbole de la batterie (51-C) reste allumé un seul segment clignotant il faudrait charger les batteries (voir la procédure au chapitre Entretien).

4. Se porter sur le lieu de travail, en démarrant la machine avec les mains sur la poignée de conduite (1) et en poussant le paddle (2) en avant pour la marche avant et en arrière pour la marche arrière. La vitesse d'avance est réglable par la pression plus ou moins grande sur le paddle (2). La vitesse maximale est réglable avec les boutons (46).

Arrêt de la machine

5. Arrêter l'avance de la machine, en relâchant le paddle (2).
6. Éteindre la machine en appuyant sur le bouton (42), ou en supprimant la clé opérateur (41) de son logement sur le panneau de commande (3).

**REMARQUE**

La machine, laissée allumée mais à l'arrêt de toute activité de travail, se désactive automatiquement au bout de 2 minutes.

7. S'assurer que la machine ne peut pas bouger de façon autonome.

**AVERTISSEMENT !**

En cas de nécessité immédiate et pour arrêter toutes les fonctions de la machine en cas d'urgence, débrancher le connecteur des batteries (9).

Pour restaurer le fonctionnement de la machine, brancher à nouveau le connecteur.

MACHINE AU TRAVAIL (LAVAGE / SÉCHAGE)

1. Mettre la machine en marche comme prévu au paragraphe précédent.
2. Baisser l'embouchure (29) au moyen de la pédale (8).
3. Appuyer sur le bouton One-Touch™ (43) pour abaisser la tête porte-brosses et lancer le travail de lavage et de séchage.
4. Commencer le travail de nettoyage, en manœuvrant la machine et en appuyant sur le paddle (2).
Si besoin est, régler la vitesse maximale avec les boutons (46).
5. Régler le montant de flux du détergent en appuyant sur le bouton (49) selon le besoin, et en fonction du lavage à effectuer.



REMARQUE

Pour les 3 premiers niveaux de débit (Fig. 4), la quantité de solution détergente distribuée est automatiquement réglée en fonction de la vitesse d'avance de la machine, de manière à obtenir une quantité constante de solution détergente par mètre linéaire de nettoyage.

Le niveau 4 (si activé) fournit le maximum de solution détergente possible, quelle que soit la vitesse d'avance de la machine (pour modifier l'activation voir le paragraphe Clé de service au chapitre Entretien).

Le niveau 0 ferme complètement l'écoulement de la solution de nettoyage.

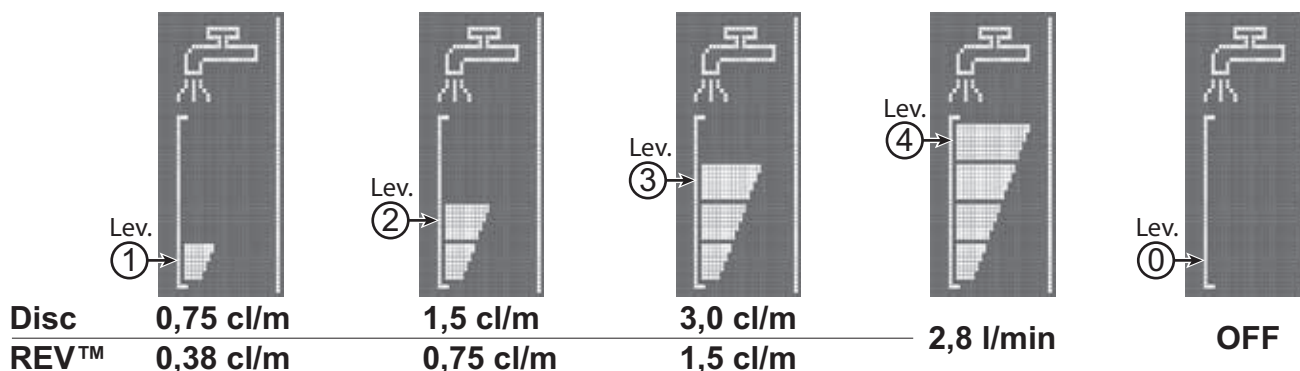


Figure 5

P100858

6. Si besoin est, pour réduire au minimum le bruit, activer la fonction de mode silencieux en appuyant sur le bouton-poussoir (48).



REMARQUE

Pour un lavage / séchage correct des sols près des murs, Advance conseille de s'approcher au murs avec le côté droit de la machine, comme indiqué dans la figure 6.

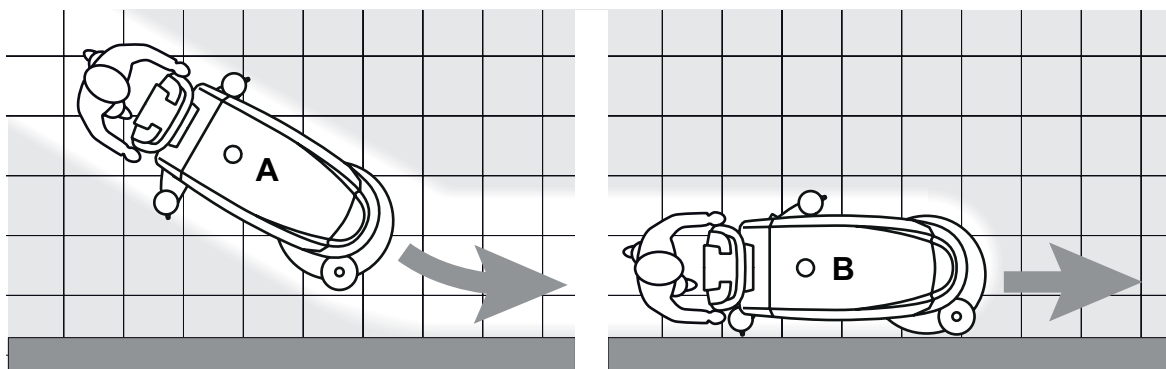


Figure 6

P100845



AVERTISSEMENT !

Afin d'éviter d'endommager les sols à nettoyer, ne pas tenir en rotation la brosse lorsque la machine est arrêtée, en particulier si l'on travaille avec la fonction d'extra-pression activée.

7. À la fin de la tâche, appuyer sur le bouton (43) pour relever la tête porte-brosses. Après 10 secondes, le système d'admission se désactive aussi.
8. Soulever l'embouchure (29) au moyen de la pédale (8).

Réglage de la concentration de détergent dans l'eau de lavage

Le système pour le mélange du détergent à l'eau de lavage est automatiquement activé lorsque la brosse est en fonctionnement.

Le pourcentage de détergent ajouté à l'eau de lavage est réglé au niveau 1 (Fig. 7).

Appuyer sur la touche (50) pour augmenter le pourcentage au niveau 2, ou le réinitialiser au niveau 0.

Les pourcentages réglés sont affichés sur l'écran multi-fonction (51-H).

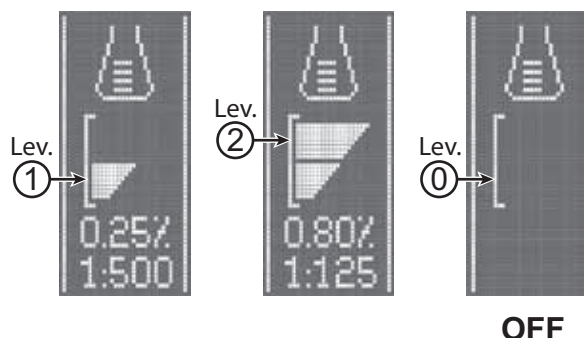


Figure 7

P100846

Système EcoFlex™

Appuyer sur le bouton EcoFlex™ (47) chaque fois que l'on nécessite temporairement d'une plus grande puissance de lavage. Avec le système activé EcoFlex™ (del clignotante) on obtient une augmentation de l'écoulement de la solution détergente, l'activation de la pression supplémentaire de la brosse et une augmentation de la concentration de détergent dans la solution (niveau 2, si le niveau était fixé à 1 - niveau 1, si le niveau était fixé à 0). En appuyant à nouveau sur le bouton EcoFlex™ (47), les réglages initiaux sont rétablis (del allumé).

**REMARQUE**

Lorsqu'on n'appuie pas sur le bouton EcoFlex™ (47) une deuxième fois, les réglages initiaux sont rétablis automatiquement après 60 secondes.

**REMARQUE**

Toutes les valeurs ci-dessus indiquées sur les niveaux des fonctions de l'écoulement du détergent et de la concentration du détergent, sont des réglages d'usine. Pour modifier les paramètres par défaut, voir le paragraphe Clé de service dans le chapitre Entretien.


Système REV™ (uniquement pour versions REV™)

Appuyer sur le bouton REV™ (45) chaque fois que l'on nécessite de ce type de lavage. Avec le système REV™ activé on obtient une diminution de la vitesse, une extra-pression de la brosse, l'interruption du flux de détergent et une quantité inférieure d'eau de lavage.

Travail avec la fonction de pression supplémentaire de la brosse

Si le sol est particulièrement sale, il est possible de travailler avec l'extra-pression des brosses sur le sol, comme suit :

1. Appuyer sur l'interrupteur (43) pour abaisser la tête porte-brosses comme indiqué dans le paragraphe « Mise en marche de la machine ».
2. Maintenir le bouton (43) enfoncé pendant plus d'1 seconde.

L'activation de l'extra-pression est confirmée par la del qui passe de la lumière verte à la rouge et par l'icône  sur l'écran (51).

3. Pour revenir au travail à pression normale, maintenir le bouton (43) enfoncé durant plus d'1 seconde.
4. Pour soulever la tête porte-brosses sans revenir au travail à pression normale, appuyer et relâcher immédiatement l'interrupteur (43).

**AVERTISSEMENT !**

En cas de surcharge du moteur de la brosse, dû à corps étrangers qui empêchent son mouvement, ou à sols difficiles / brosses dures, un système de sécurité arrête le moteur après un minute environ de surcharge continue.

Si la surcharge se vérifie pendant le travail avec la fonction d'extra-pression activée, le système soulage automatiquement la pression sur les brosses en désactivant la fonction d'extra-pression.

Si la surcharge persiste, la brosse s'arrête.

Pour reprendre le travail après l'arrêt de la brosse à cause de la surcharge, il est nécessaire d'arrêter et rallumer la machine en appuyant sur le bouton (42).

Déchargement des batteries pendant le travail

Lorsque un seul segment clignotant reste allumé dans le symbole de la batterie (51-C) procéder au rechargement des batteries, parce que l'autonomie résiduelle de fonctionnement de la machine n'est que de quelques minutes (variables en fonction des caractéristiques des batteries utilisées et du nettoyage à effectuer).

Lorsque le symbole de la batterie (51-C) clignote sans aucun segment allumé l'autonomie est épuisée. Après quelques secondes, la brosse s'arrête automatiquement ; seulement le système d'aspiration et le système de traction restent en fonction, pour permettre d'essuyer des endroits éventuels de sol mouillé et d'amener la machine dans la zone de rechargement.

**AVERTISSEMENT !**

Ne pas insister à utiliser la machine avec batteries déchargées, pour ne pas endommager les batteries en réduisant leur vie utile.

VIDANGE DES RÉSERVOIRS

Un système de fermeture automatique à flotteur (31) bloque le système d'aspiration lorsque le réservoir de l'eau de récupération (33) est plein.

Le blocage du système d'aspiration peut être détecté grâce à l'augmentation soudaine de la fréquence du bruit du moteur d'aspiration ; en outre, le système d'aspiration ne sèche pas le sol.



AVERTISSEMENT !

Si le système d'aspiration s'arrête pour causes accidentelles (par exemple pour l'intervention prématurée du flotteur pendant un déplacement soudain de la machine), pour le démarrer, arrêter le système en appuyant sur le bouton (48), puis ouvrir le couvercle (34) et vérifier que le flotteur dans la grille (31) est descendu ; enfin, fermer le couvercle (34) et appuyer sur le bouton (48) pour démarrer à nouveau le système d'aspiration.

Lorsque le réservoir de l'eau de récupération (33) est plein, le vider en procédant comme suit.

Vidange du réservoir de l'eau de récupération

1. Soulever la tête porte-brosse en appuyant sur le bouton (43).
2. Soulever l'embouchure (29) au moyen de la pédale (8).
3. Porter la machine dans la zone destinée à l'écoulement.
4. Éteindre la machine en appuyant sur le bouton (42) et enlever la clé opérateur (41).
5. Vider le réservoir de l'eau de récupération (33) au moyen du tuyau de vidange (12). Le travail effectué, rincer le réservoir à l'eau propre.

Vidange du réservoir de l'eau de lavage

6. Exécuter les étapes de 1 à 4.
7. Vider le réservoir de l'eau de lavage (21) au moyen du tuyau de niveau (13). Le travail effectué, rincer le réservoir à l'eau propre.

APRÈS L'UTILISATION DE LA MACHINE

Le travail effectué, avant de laisser la machine :

1. Déposer la brosse en procédant comme indiqué au paragraphe spécifique.
2. Enlever la clé opérateur (41).
3. Vider les réservoirs (21) et (33) comme indiqué aux paragraphes spécifiques.
4. Effectuer les opérations d'entretien prévues après l'utilisation de la machine (voir le chapitre Entretien).
5. Garder la machine dans un endroit sec et propre, avec la brosse et l'embouchure déposés ou soulevés.

INACTIVITÉ PROLONGÉE DE LA MACHINE

Si on prévoit de ne pas utiliser la machine pendant plus de 30 jours, il est convenable d'effectuer les opérations suivantes :

1. Effectuer les opérations prévues au paragraphe Après l'utilisation de la machine.
2. Vider le réservoir de détergent (25) du système EcoFlex™ et nettoyer le système avec le cycle de purge (voir les procédures au chapitre Entretien).
3. Fermer le robinet de l'eau de lavage (18-B).
4. Débrancher le connecteur (9) des batteries.

ENTRETIEN

La durée de vie de la machine et sa sécurité de fonctionnement sont garanties par un entretien soigné et régulier. Veuillez trouver ci-dessous le plan d'entretien programmé. Les périodicités indiquées peuvent subir des variations en fonction de conditions de travail particulières, à définir par le responsable de l'entretien.



ATTENTION !

Les opérations doivent être effectuées avec la machine arrêtée et avec les batteries débranchées. En outre, lire attentivement toutes les instructions du chapitre Sécurité avant d'effectuer les opérations d'entretien.

Toutes les opérations d'entretien programmé ou extraordinaire doivent être effectuées par du personnel qualifié ou par un Service après-vente autorisé.



AVERTISSEMENT !

Chaque fois que l'on voit l'icône Service  sur l'écran (51), contacter un centre de service agréé Advance pour l'entretien programmé.

Dans ce manuel, après le plan d'entretien programmé, seulement les procédures des opérations d'entretien les plus simples et les plus récurrentes sont indiquées.

Pour les procédures des autres opérations d'entretien prévues par le plan récapitulatif d'entretien programmé et extraordinaire, se référer au manuel d'entretien consultable auprès des Services après-vente.

PLAN D'ENTRETIEN PROGRAMMÉ

Procédure	Quotidienne, après l'utilisation de la machine	Hebdomadaire	Semestrielle	Annuelle
Chargement des batteries				
Nettoyage de l'embouchure				
Nettoyage de la brosse / disques				
Nettoyage des réservoirs, du filtre à cuve du réservoir à eau de récupération et contrôle du joint d'étanchéité du couvercle				
Nettoyage et vidange du système EcoFlex™				
Contrôle des lamelles en caoutchouc de l'embouchure				
Nettoyage du filtre de l'eau de lavage				
Contrôle du niveau du liquide des batteries (WET)				
Remplacement des lamelles en caoutchouc de l'embouchure				
Contrôle ou remplacement des charbons du moteur de la brosse				(1)
Contrôle ou remplacement des charbons du moteur du système de traction				(1)
Remplacement des antivibratoires de la tête de la brosse (uniquement pour versions REV™)				(1)

(1) Opération d'entretien de ressort d'un Service après vente agréé Advance.

CHARGEMENT DES BATTERIES



REMARQUE

Recharger les batteries lorsque dans le symbole de la batterie (51-C) reste allumé un seul segment clignotant, ou bien à la fin de chaque travail.

Garder les batteries chargées afin de prolonger leur vie utile.



AVERTISSEMENT !

Lorsque les batteries sont déchargées, les recharger dès que possible, afin de ne pas réduire leur durée de vie utile.

Contrôler la charge des batteries au moins une fois par semaine.



ATTENTION !

Si des batteries au plomb (WET) sont installées dans la machine, le chargement des batteries produit un gaz hydrogène très explosif. Charger les batteries dans un endroit bien aéré et loin de flammes libres.

Ne pas fumer pendant le chargement des batteries.

Laisser soulevé le réservoir de l'eau de récupération pendant le cycle de chargement des batteries.



ATTENTION !

Pendant le chargement des batteries au plomb (WET), faire attention à d'éventuelles pertes de liquide des batteries. Ce liquide est corrosif. En cas de contact avec les yeux ou la peau, rincer abondamment à l'eau et consulter un médecin.

1. Porter la machine dans la zone destinée au chargement des batteries.
2. S'assurer que la machine est éteinte avec la clé opérateur (41) retirée.
3. Ouvrir le couvercle (34) et vérifier si le réservoir de l'eau de récupération (33) est vide. Dans le cas contraire, le vider au moyen du tuyau de vidange (12).
4. Fermer le couvercle (19).
5. Saisir la poignée (16) et soulever le réservoir (33) avec soin
6. (Exclusivement pour batteries WET) Contrôler le niveau de l'électrolyte dans les batteries. Si besoin est, dévisser les bouchons et remplir.
Après l'appoint du niveau, fermer les bouchons et, si besoin est, nettoyer la surface supérieure des batteries.
7. Brancher la fiche du chargeur de batterie (6) au réseau électrique [la tension et la fréquence de réseau doivent être égales aux valeurs correspondantes du chargeur de batterie, indiquées sur la plaque avec numéro de série de la machine].



REMARQUE

Lorsque le chargeur de batterie est branché au réseau électrique, toutes les fonctions de la machine sont automatiquement exclues.

Lorsque (de gauche à droite) le premier ou le deuxième segment clignote dans le symbole de la batterie (51-L), cela indique que le chargeur est en train de charger les batteries.

Lorsque (de gauche à droite) le troisième segment clignote dans le symbole de la batterie (51-L), cela indique que le chargeur est en train de terminer la charge des batteries.

8. Lorsque tous les segments du symbole de la batterie (51-L) sont allumées en permanence, le cycle de charge de la batterie est terminé.
9. Débrancher la fiche du chargeur de batterie (6) du réseau électrique et l'insérer dans son logement (7).
10. Abaisser soigneusement le réservoir d'eau de récupération (33).
11. La machine est prête à l'utilisation.



REMARQUE

Pour de plus amples informations relatives au fonctionnement du chargeur de batterie (5), consulter le manuel spécifique.

CLÉ DE SERVICE (JAUNE)

Avec la clé de service (jaune), il est possible de consulter des informations supplémentaires sur certains paramètres de fonctionnement de la machine et modifier certains réglages afin de les adapter à des besoins spécifiques.

Écran principal (E, Fig. 8)

1. Insérer la clé de service (jaune) à la place de la clé opérateur principal (grise) pour accéder à l'écran principal sur l'écran multifonction (51).
2. Appuyer sur le bouton (A) pour procéder à la modification des paramètres de la machine (voir le paragraphe Écran paramètres de la machine).
3. Appuyer sur le bouton (B) pour vérifier les alarmes éventuelles mémorisées par la machine (voir le paragraphe Écran mémoire alarmes).
4. Appuyer sur le bouton (C) pour contrôler les heures de travail de la machine (voir le paragraphe Écran compte-heures).
5. Appuyer sur le bouton (D) pour quitter le mode service et revenir au mode opérateur.

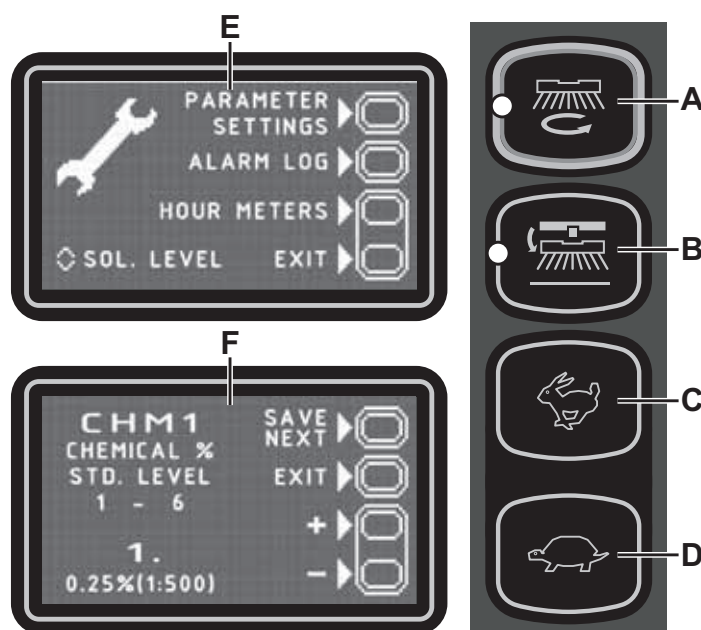


Figure 8

P100847

Écran paramètres de la machine (F, Fig. 8)

En utilisant cette fonctionnalité, il est possible de personnaliser les valeurs des paramètres décrits dans le tableau.

1. Pour augmenter la valeur du paramètre actuel appuyer sur le bouton (C).
Pour diminuer la valeur du paramètre actuel appuyer sur le bouton (D).
2. Pour passer au paramètre suivant appuyer sur le bouton (A).
3. Pour revenir à l'écran principal, appuyer sur le bouton (B).

TABLEAU PARAMÈTRES MODIFIABLES		Valeurs			
Cod.	Description	Minimum	Réglages d'usine	Maximum	
CHM1	Pourcentage de concentration du détergent niveau 1	1:500 (0,25 %)	1:500 (0,25 %)	1:33 (3 %)	
CHM2	Pourcentage de concentration du détergent niveau 2	1:500 (0,25 %)	1:125 (0,80 %)	1:33 (3 %)	
P1/P3	Débit de la solution au niveau 1 par rapport au niveau 3 (débit en fonction de la vitesse)	0 %	25 %	100 %	
P2/P3	Débit de la solution au niveau 2 par rapport au niveau 3 (débit en fonction de la vitesse)	0 %	50 %	100 %	
P3	Débit de la solution au niveau 3 (débit en fonction de la vitesse)	DISC	1,0 cl/m	3,0 cl/m	5,0 cl/m
		REV™	1,0 cl/m	1,5 cl/m	5,0 cl/m
P4	Activation du niveau 4 (2,8 L/min indépendamment de la vitesse)	OFF	OFF	ON	
SPT	Minuterie de la fonction Ecoflex™	0 (désactivé)	60 sec.	300 sec.	
XPRES	Activation pression supplémentaire de la tête	OFF	ON	ON	
FVMIN	Vitesse minimale marche avant	0 %	25 %	100 %	
FVMAX	Vitesse maximale marche avant	10 %	100 %	100 %	
RVMAX	Vitesse maximale marche arrière	10 %	30 %	50 %	
BAT (**)	Type de batterie installé (voir tableau)	0	1	5	
TOFF	Temps d'arrêt automatique	0 (désactivé)	300 sec.	600 sec.	
BRGH	Contraste de l'écran	5	20	50	
VRID	Niveau de puissance d'aspiration en mode silencieux	1	1	5	
RPM (*)	Seuil d'activation basse vitesse de la brosse	5	9	20	
RESET	Réinitialisation de tous les paramètres au réglage d'usine	OFF	OFF	ON	

(*) Augmenter la valeur de ce paramètre pour réduire la vitesse du moteur de la brosse dans une plus large gamme d'applications et vice versa.

(**) Comme décrit dans le chapitre Utilisation, selon le type de batteries que l'on prévoit d'installer, configurer la machine et le chargeur de batterie intégré en changeant le paramètre BAT comme indiqué dans le tableau suivant :

Type de batterie installée		Valeur
WET	Batteries avec acide liquide	0
GEL / AGM	Batteries au GEL ou AGM génériques	1
GEL EXIDE	Batteries au GEL ou marque EXIDE®/SONNENSHINE	2
GEL OPTIMA	Batteries au GEL ou marque OPTIMA™	3
GEL DISCOVER	Batteries au GEL ou marque DISCOVER®	4
GEL FULLRIVER	Batteries au GEL ou marque FULLRIVER®	5

Écran mémoire alarmes (G, Fig. 9)

Grâce à cette fonctionnalité, il est possible de vérifier des alarmes éventuels mémorisés par la machine.

Utiliser cette fonction uniquement avec le soutien du Centre d'assistance Advance pour résoudre d'éventuels problèmes de fonctionnement.

Pour revenir à l'écran principal (E, Fig. 8) appuyer plusieurs fois sur le bouton (A).



Figure 9

P100848

Écran compte-heures (H, Fig. 10)

Grâce à cette fonctionnalité, il est possible de vérifier les heures de travail accumulées pour chaque sous-système de la machine :

- Compte-heures TOTAL (temps de démarrage de la machine)
- Compte-heures TRACTION (temps de fonctionnement du système de traction)
- Compte-heures BROSSE (temps d'utilisation du système de rotation de la brosse)
- Compte-heures ASPIRATEUR (temps d'utilisation du système d'aspiration)

Pour revenir à l'écran principal (E, Fig. 8) appuyer sur le bouton (A).

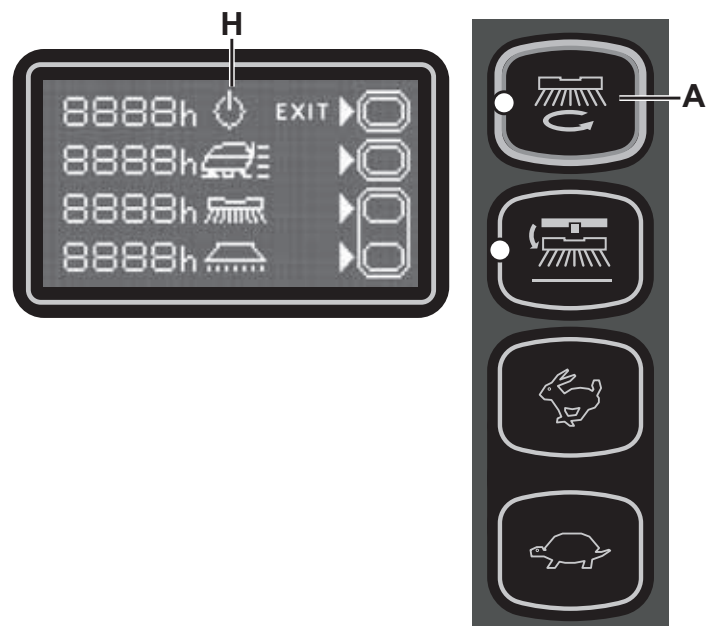


Figure 10

P100849

NETTOYAGE DE L'EMBOUCHURE



REMARQUE

Pour un bon séchage, l'embouchure doit être propre et les lamelles en caoutchouc doivent être en bon état.



AVERTISSEMENT !

Lors du nettoyage de l'embouchure, il est conseillé de porter des gants de protection à cause de la présence éventuelle de débris tranchants.

1. Porter la machine sur un sol plat.
2. S'assurer que la machine est éteinte avec la clé opérateur (41) retirée.
3. Desserrer les boutons (14) et déposer l'embouchure (29).
4. Laver et nettoyer l'embouchure. Nettoyer en particulier les compartiments (A, Fig. 11) et l'orifice (B) de la saleté et des déchets. Contrôler que la lamelle en caoutchouc avant (C) et la lamelle en caoutchouc arrière (D) sont intactes et qu'elles ne présentent pas de coupures ou déchirures ; en cas contraire, les remplacer comme indiqué au paragraphe suivant.
5. Pour la repose, procéder dans l'ordre inverse de la dépose.

CONTRÔLE ET REMPLACEMENT DES LAMELLES EN CAOUTCHOUC DE L'EMBOUCHURE

1. Nettoyer l'embouchure comme indiqué au paragraphe précédent.
2. Contrôler que la lamelle en caoutchouc avant (C, Fig. 11) et la lamelle en caoutchouc arrière (D) sont intactes et qu'elles ne présentent pas de coupures ou déchirures ; en cas contraire, les remplacer en procédant comme suit. Contrôler que l'arête avant (E) de la lamelle en caoutchouc arrière n'est pas usée ; en cas contraire, tourner la lamelle en caoutchouc, en remplaçant l'arête usée avec l'une des trois arêtes intactes. Si toutes les arêtes sont usées, remplacer la lamelle en caoutchouc en procédant comme suit :
 - À l'aide de la lamelle (F), libérer et retirer la bande élastique (G) des dispositifs de retenue (H), puis remplacer/renverser la lamelle en caoutchouc arrière (D).
 - Pour la repose, procéder dans l'ordre inverse de la dépose.
 - Dévisser les boutons (I) et enlever la bande de retenue (J), puis remplacer/renverser la lamelle en caoutchouc avant (C).
 - Pour la repose, procéder dans l'ordre inverse de la dépose.
3. Reposer l'embouchure (27) et serrer les boutons (14).
4. Abaisser l'embouchure sur le sol pour contrôler la hauteur des lamelles en caoutchouc, comme décrit ci-dessous :
 - Vérifier que le rabat (K) de la lamelle en caoutchouc (C) et le rabat (L) de la lamelle en caoutchouc arrière (D) posent comme indiqué sur la figure.
 - Pour le réglage, utiliser la manette (15).

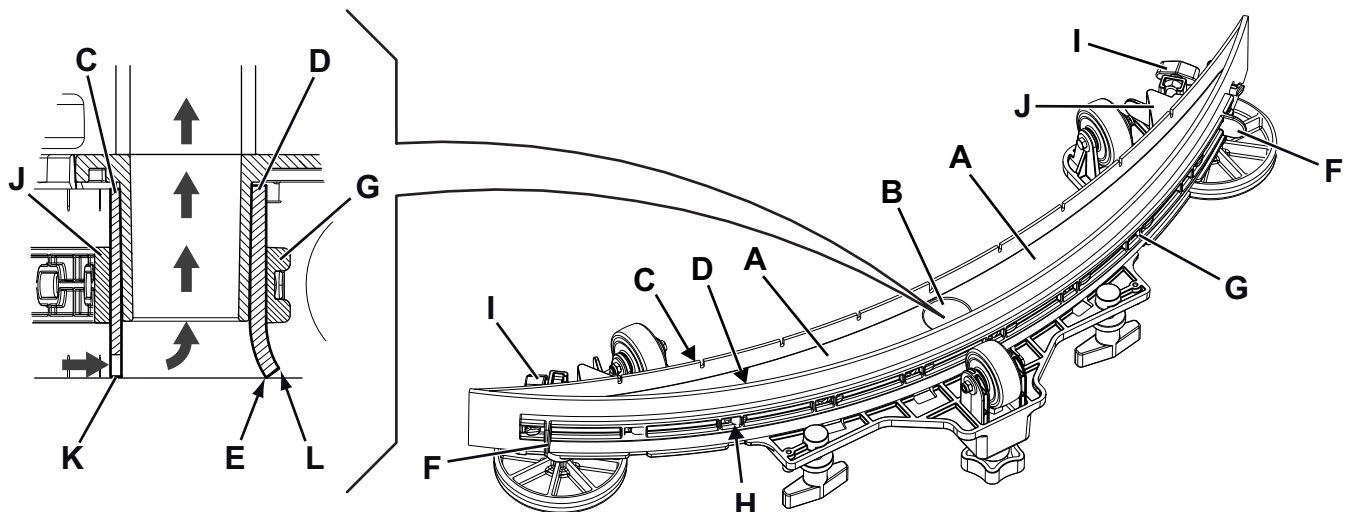


Figure 11

P100850

NETTOYAGE DE LA BROSSÉ À DISQUE



AVERTISSEMENT !

Lors du nettoyage de la brosse, il est conseillé de porter des gants de protection à cause de la présence éventuelle de débris tranchants.

1. Déposer la brosse de la machine comme prévu au chapitre Utilisation.
2. Nettoyer et laver la brosse avec de l'eau et du détergent.
3. Contrôler que les poils sont intacts et non excessivement usés ; dans le cas contraire, remplacer la brosse.

NETTOYAGE DU RÉSERVOIR DE L'EAU DE RÉCUPÉRATION

1. Porter la machine dans la zone destinée à l'écoulement.
2. S'assurer que la machine est éteinte avec la clé opérateur (41) retirée.
3. Ouvrir le couvercle (34).
4. Vider l'eau du réservoir avec le tuyau de vidange (12).
5. Nettoyer la grille d'aspiration (31), dégager les dispositifs de retenue (A, Fig. 12), ouvrir la grille (B), récupérer le flotteur (C) et nettoyer soigneusement ; enfin reposer en place.
6. Démontez le bac de récupération des débris (D) et ouvrez son couvercle, puis nettoyez soigneusement et ré-installez le tuyau d'aspiration.
7. Contrôler l'intégrité du joint d'étanchéité (E) du couvercle du réservoir.



REMARQUE

Le joint d'étanchéité (E) permet la création d'une dépression dans le réservoir, nécessaire à l'aspiration de l'eau de récupération.

Si besoin est, déposer le joint d'étanchéité (E) de son logement (F) et le remplacer. Lors de la pose du nouveau joint d'étanchéité, positionner le raccord (G) dans la zone indiquée dans la figure.

8. Contrôler aussi l'intégrité, l'efficacité et la propreté de toute la surface périmétrale d'appui (H) du joint d'étanchéité (E).
9. Fermer le couvercle (19).

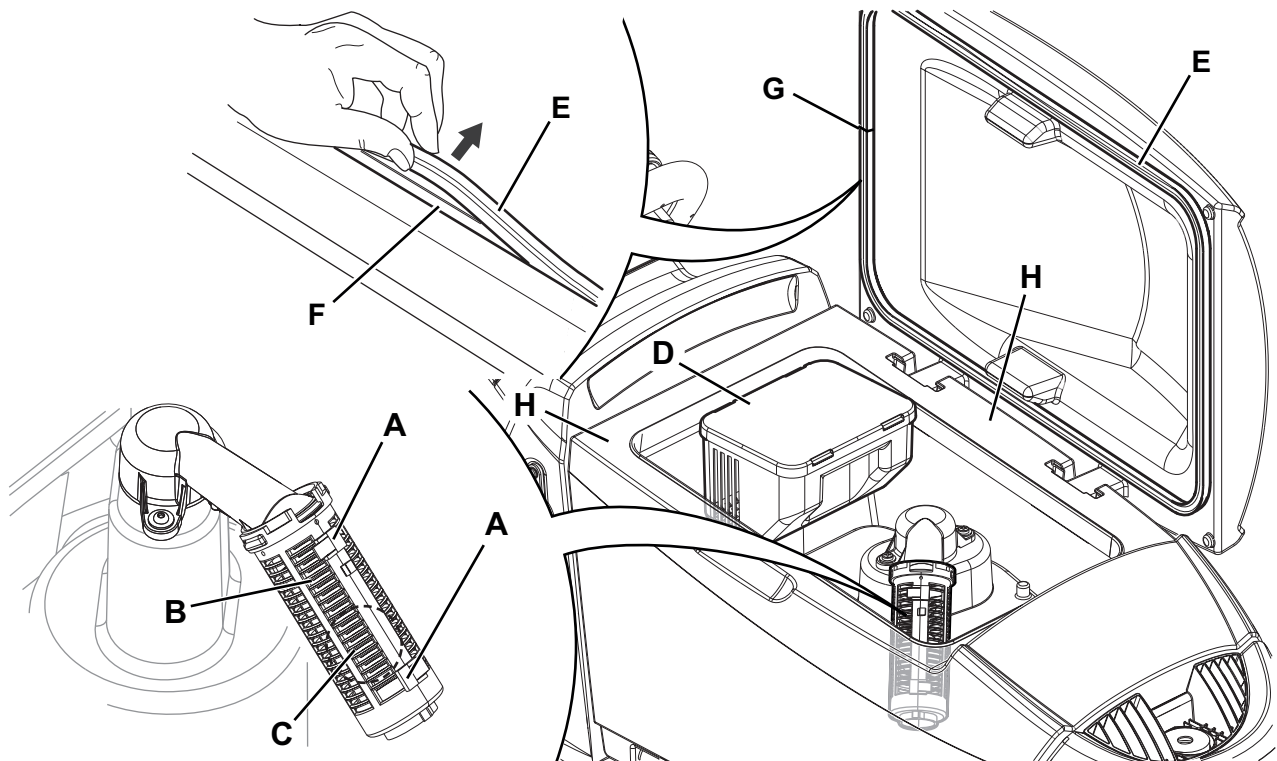


Figure 12

P100851

NETTOYAGE DU FILTRE DE L'EAU DE LAVAGE

1. Porter la machine sur un sol plat.
2. S'assurer que la machine est éteinte avec la clé opérateur (41) retirée.
3. Fermer le robinet de l'eau de lavage (A, Fig. 13). Le robinet est fermé quand il se trouve dans la position (B) et ouvert quand il se trouve dans la position (C).
4. Retirer le petit glas transparent (D), récupérer le joint d'étanchéité (E), puis retirer le filet filtrant (F). Les laver et les rincer avec de l'eau, puis les réinstaller soigneusement sur le support filtre (G).
5. Ouvrir le robinet (A).

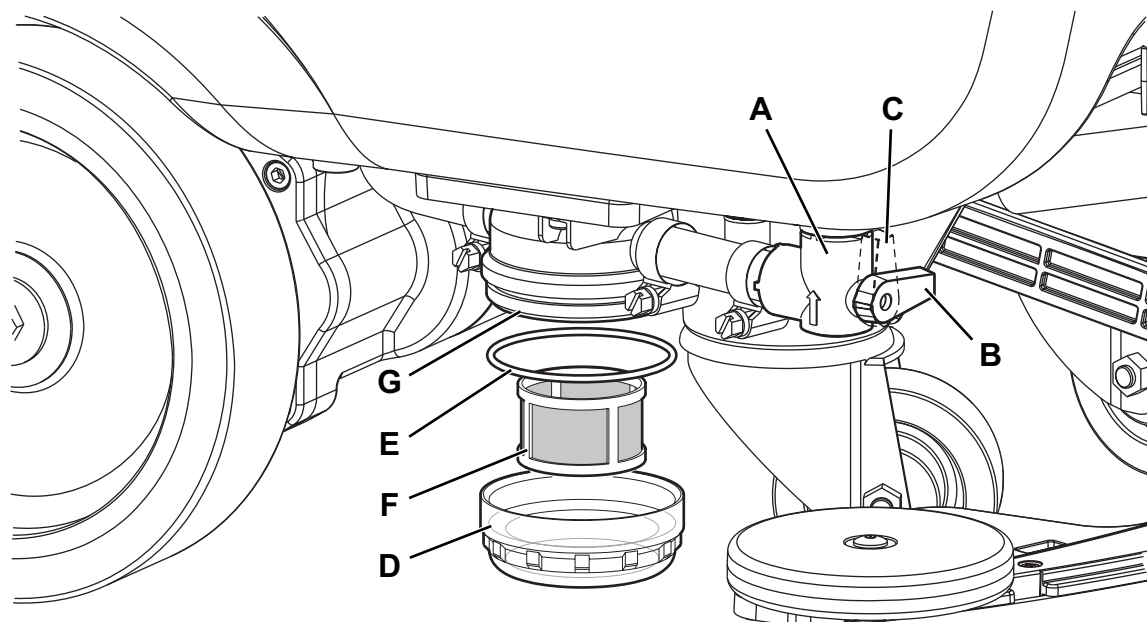


Figure 13

P100852

RÉGLAGE DE L'AVANCE RECTILINÉAIRE DE LA MACHINE

La vitesse d'avance rectilinéaire de la machine peut varier en fonction du type de sol à nettoyer, ou de l'utilisation de la brosse ou du disque.

Si l'on relève que la machine, avec la tête baissée et pendant le nettoyage, a tendance à dévier de la direction d'avance rectilinéaire, il est possible d'agir sur la manette (35) en la tournant dans le sens des aiguilles d'une montre ou dans le sens contraire pour corriger la déviation et obtenir un mouvement essentiellement neutre.

NETTOYAGE DU RÉSERVOIR DU DÉTERGENT ECOFLEX™

Nettoyer le réservoir du détergent (25) en procédant comme suit.

1. Porter la machine dans la zone destinée à l'écoulement.
2. S'assurer que la machine est éteinte avec la clé opérateur (41) retirée.
3. Ouvrir le couvercle (34) et vérifier si le réservoir de l'eau de récupération (33) est vide. Dans le cas contraire, le vider au moyen du tuyau de vidange (12).
4. Fermer le couvercle (19).
5. Saisir la poignée (16) et soulever le réservoir (33) avec soin.
6. Dévisser le bouchon (A, Fig. 14) à du réservoir de détergent (B).
7. Retirer le réservoir.
8. Rincer et laver le réservoir avec de l'eau propre dans la zone destinée à l'élimination.
9. Remplacer le réservoir de détergent (B) dans son compartiment comme indiqué sur la figure et remplacer le bouchon (A).
10. Après la vidange du réservoir du détergent, il pourrait être nécessaire de vidanger le système EcoFlex™ (voir la procédure au paragraphe suivant).

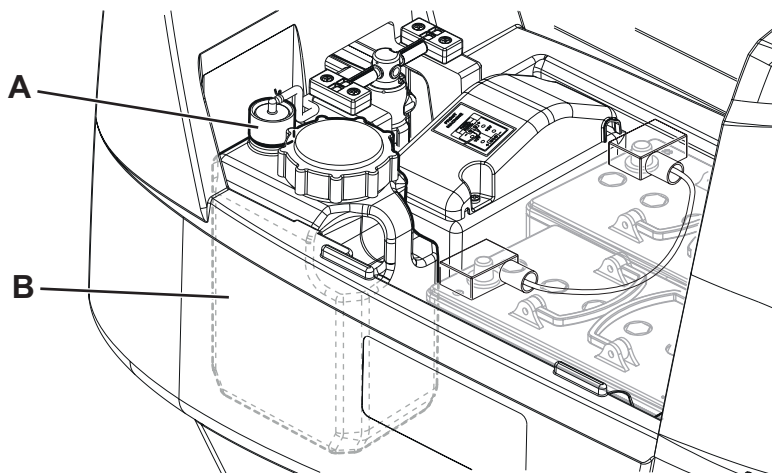


Figure 14

P100853

VIDANGE DU SYSTÈME ECOFLEX™

Nettoyer le réservoir du détergent en procédant comme indiqué au paragraphe précédent.

Pour éliminer toute trace de détergent dans les tuyaux et dans la pompe du détergent, procéder comme suit.

1. Insérer la clé opérateur (41) dans son siège du panneau de commande (3) pour allumer la machine, ou bien, si la clé est déjà dans son siège, appuyer sur le bouton (42).
2. Appuyer sur la touche (43). Vérifier qu'à l'écran l'indicateur de la quantité de détergent (51-G) a au moins un segment allumé.
3. Appuyer simultanément sur les boutons (49) et (50) jusqu'à ce que l'écran affiche la page-écran (51-M) (environ après 5 secondes).
4. Relâcher les boutons (49) et (50) et attendre que le compte à rebours sur l'écran s'arrête et que le système d'aspiration soit actionné.
5. Aspirer les traces de détergent sur le sol.
6. Enlever la clé opérateur (41).
7. Soulever le réservoir (33), puis contrôler que le tuyau du réservoir du détergent (25) soit vide ; dans le cas contraire, répéter les étapes de 3 à 7.



REMARQUE

Le cycle de purge, qui permet d'éliminer les traces de détergent, dure 30 secondes environ, ensuite la fonction d'aspiration s'enclenche automatiquement.

L'opération de vidange peut être effectuée même avec le réservoir du détergent (25) plein d'eau ; de cette façon on effectue un lavage à fond du système.

Il est convenable d'effectuer ce type de vidange lorsque le système EcoFlex™ est très sale / incrusté après de longues périodes d'inactivité / d'absence de nettoyage de la machine.

L'opération de vidange peut être effectuée aussi pour accélérer le remplissage du tuyau d'alimentation du détergent avec le réservoir (25) plein et le système encore vide.

L'opération de vidange, en cas de nécessité, peut être effectuée plusieurs fois de suite.

CONTRÔLE / REMPLACEMENT DES FUSIBLES**REMARQUE**

Tous les circuits électriques de la machine sont protégés par des dispositifs électroniques à restaurer automatiquement. Les fusibles de sécurité agissent seulement en cas de pannes graves.

Par conséquent, on conseille de contacter le personnel qualifié pour l'éventuel remplacement des fusibles.

Se référer au manuel d'entretien consultable auprès des revendeurs Advance.

DÉPISTAGE DES PANNES

PROBLÈME	CAUSE POSSIBLE	SOLUTION
Les moteurs ne fonctionnent pas ; l'écran (51) et aucune del des boutons s'allume.	Le connecteur des batteries est débranché.	Connecter.
	Batteries complètement déchargées.	Charger les batteries.
La machine ne bouge pas et l'écran (51) affiche le message d'alarme : ALARME D'AVERTISSEMENT T3	Allumage de la machine effectuée avec paddle appuyé.	Relâcher le paddle. Si le problème persiste, contacter un service après-vente agréé.
Lors de l'allumage de la machine, la del du bouton (43) clignote et la brosse ne tourne pas.	Éteindre la machine sans avoir d'abord soulevé la tête porte-brosses.	Attendre que la tête se soulève avant d'actionner à nouveau les brosses en appuyant sur le bouton.
La brosse ne fonctionne pas ; le contour du symbole de la batterie (51-C) se met à clignoter et l'écran affiche le message d'alerte : ALARME D'AVERTISSEMENT G4	Batteries déchargées.	Charger les batteries. Si le problème persiste, remplacer les batteries.
Pendant les travaux, le message d'alerte s'affiche : ALARME D'AVERTISSEMENT F2	Surcharge du moteur de la brosse.	Utiliser une brosse moins dure ou de type différent, ou ne pas travailler avec la fonction d'extra-pression activée.
	Présence de corps étrangers (fils entortillés, etc.) qui risquent de freiner la rotation de la brosse.	Nettoyer les moyeux de la brosse.
L'écran (51) affiche le message d'alerte : ALARME D'AVERTISSEMENT T2	Surcharge du moteur de traction.	Arrêter et démarrer à nouveau la machine. Ne pas utiliser la machine sur des pentes supérieures à celle indiquée, et ne pas surmonter les obstacles trop élevés.
Pendant la recharge des batteries avec chargeur intégré, l'écran (51) affiche le message d'alarme : ALARME D'AVERTISSEMENT C4 o C5	Chargeur de batterie pas en mesure de bien recharger les batteries dans les délais maximum prévus.	Relancer à nouveau le cycle de charge des batteries. Si le problème persiste, remplacer les batteries.
L'écran (51) affiche un message d'alarme du type suivant : ALARME D'AVERTISSEMENT XX Où « XX » est remplacé par un code différent des codes précédemment énumérés.	Condition d'alarme du système électronique de contrôle de la machine.	Arrêter et démarrer à nouveau la machine. Si le problème persiste, contacter un service après-vente agréé.
L'aspiration de l'eau sale est insuffisante.	Réservoir d'eau de récupération plein.	Vider le réservoir.
	Grille d'aspiration obstruée ou flotteur bloqué en position fermée.	Nettoyer la grille d'aspiration.
	Conteneur déchets avec la grille correspondante colmaté.	Nettoyer.
	Tuyau flexible déconnecté de l'embouchure.	Connecter.
	Embouchure sale ou lamelles en caoutchouc d'embouchure usées ou endommagées.	Nettoyer l'embouchure ou tourner / remplacer les lamelles en caoutchouc.
	Le couvercle du réservoir n'est pas bien fermé ou le joint d'étanchéité est usé.	Fermer correctement le couvercle ou nettoyer / remplacer le joint.
Le flux de solution à la brosse est insuffisant.	Réservoir eau de lavage vide.	Remplir.
	Filtre eau de lavage sale.	Nettoyer le filtre.
	Réservoir du système EcoFlex™ sale / incrusté.	Nettoyer avec le cycle de vidange.
L'embouchure laisse des traces au sol.	Débris sous les lamelles en caoutchouc de l'embouchure.	Enlever les débris.
	Lamelles en caoutchouc de l'embouchure usées, ébréchées ou déchirées.	Tourner ou remplacer les lamelles en caoutchouc.
	Embouchure non équilibrée au moyen du bouton de réglage.	Régler l'embouchure.

**REMARQUE**

La machine ne peut pas fonctionner sans le chargeur de batterie.

En cas de panne du chargeur de batterie, s'adresser à un Service après-vente autorisé.

Pour de plus amples renseignements ou informations, contacter les Services après-vente Advance.

MISE À LA FERRAILLE

Effectuer la mise à la ferraille de la machine auprès d'un démolisseur autorisé.

Avant d'effectuer la mise à la ferraille de la machine il est nécessaire de déposer et séparer les éléments suivants et les envoyer aux collectes sélectives, conformément aux normes d'hygiène de l'environnement en vigueur :

- Batteries
- Brosses
- Tuyaux et pièces en matériel plastique
- Parties électriques et électroniques (*)

(*) Notamment pour la mise en décharge des parties électriques et électroniques, s'adresser auprès du centre Advance le plus proche.

Composition du matériel de la machine et recyclage

Type	% recyclable	% de poids de la SC500
Aluminium	100 %	7 %
Moteurs électriques - divers	29 %	29 %
Matériaux en fer	100 %	2 %
Câbles	80 %	2 %
Liquides	100 %	0 %
Plastique - non recyclable	0 %	2 %
Plastique - recyclable	100 %	7 %
Polyéthylène	92 %	48 %
Caoutchouc	20 %	2 %

ÍNDICE

INTRODUÇÃO	2
OBJECTIVO E CONTEÚDO DO MANUAL	2
DESTINATÁRIOS	2
CONSERVAÇÃO DO MANUAL	2
DADOS DE IDENTIFICAÇÃO	2
OUTROS MANUAIS DE REFERÊNCIA	2
PEÇAS DE SUBSTITUIÇÃO E MANUTENÇÃO	2
MODIFICAÇÕES E MELHORIAS	2
CAPACIDADE DE OPERAÇÃO	3
CONVENÇÕES	3
DESEMBALAGEM/ENTREGA	3
SEGURANÇA	3
SÍMBOLOS VISÍVEIS NA MÁQUINA	3
SÍMBOLOS UTILIZADOS NO MANUAL	4
INSTRUÇÕES GERAIS	4
DESCRIÇÃO DA MÁQUINA	6
ESTRUTURA DA MÁQUINA	6
PAINEL DE CONTROLO	8
ACESSÓRIOS / OPCIONAIS	9
CARACTERÍSTICAS TÉCNICAS	9
DIAGRAMA ELÉCTRICO	10
UTILIZAÇÃO	11
CONTROLO / PREPARAÇÃO DAS BATERIAS NUMA MÁQUINA NOVA	11
INSTALAÇÃO DAS BATERIAS	11
ANTES DE COLOCAR A MÁQUINA EM FUNCIONAMENTO	12
ARRANQUE E PARAGEM DA MÁQUINA	14
MÁQUINA EM OPERAÇÃO (LAVAGEM/SECAGEM)	14
ESVAZIAMENTO DO RESERVATÓRIO	17
APÓS A UTILIZAÇÃO DA MÁQUINA	17
INACTIVIDADE PROLONGADA DA MÁQUINA	17
MANUTENÇÃO	18
PLANO DE MANUTENÇÃO PROGRAMADA	18
CARREGAMENTO DAS BATERIAS	19
CHAVE DE SERVIÇO (AMARELA)	20
LIMPEZA DO LIMPADOR	22
CONTROLO E SUBSTITUIÇÃO DAS BORRACHAS DO LIMPADOR	22
LIMPEZA DA ESCOVA DE DISCO	23
LIMPEZA DO RESERVATÓRIO DA ÁGUA DE RECUPERAÇÃO	23
LIMPEZA DO FILTRO DA ÁGUA DE LAVAGEM	24
REGULAÇÃO DO AVANÇO RECTILÍNEO DA MÁQUINA	24
LIMPEZA DO BIDÃO DO DETERGENTE ECOFLEX™	25
PURGA DO SISTEMA ECOFLEX™	25
CONTROLO/SUBSTITUIÇÃO DOS FUSÍVEIS	26
RESOLUÇÃO DE PROBLEMAS	26
FIM DE VIDA	27

INTRODUÇÃO



NOTA

Os números indicados entre parêntesis referem-se aos componentes ilustrados no capítulo Descrição da máquina.

OBJECTIVO E CONTEÚDO DO MANUAL

Este manual tem como objectivo fornecer ao operador todas as informações necessárias para poder utilizar a máquina da maneira mais adequada, autónoma e segura possível. O manual compreende informações inerentes à parte técnica, à segurança, ao funcionamento, à paragem da máquina, à manutenção, às peças de substituição e ao fim de vida.

Antes de efectuar qualquer operação na máquina, os operadores e os técnicos qualificados devem ler cuidadosamente as instruções contidas no presente manual. Em caso de dúvidas sobre a correcta interpretação das instruções, contacte a Advance para obter os esclarecimentos necessários.

DESTINATÁRIOS

O presente Manual destina-se quer aos operadores, quer aos técnicos qualificados de manutenção da máquina.

Os operadores não devem executar intervenções reservadas aos técnicos qualificados. Advance não se responsabiliza por danos resultantes do não cumprimento desta proibição.

CONSERVAÇÃO DO MANUAL

O Manual de instruções de uso e manutenção deve ser guardado próximo da máquina, dentro do seu estojo, protegido de líquidos e tudo mais que possa deteriorar o seu estado de legibilidade.

DADOS DE IDENTIFICAÇÃO

O número de série e o modelo da máquina estão indicados na placa do número de série (4).

A mesma placa indica também o ano de produção e o código do produto.

Estas informações são necessárias quando são encomendadas peças de substituição para a máquina. Utilize o espaço seguinte para anotar os dados de identificação da máquina.

Modelo da MÁQUINA
Código do PRODUTO
Número de série da MÁQUINA

OUTROS MANUAIS DE REFERÊNCIA

- Manual do carregador de bateria electrónico, deve ser considerado parte integrante do presente manual
- Catálogo das peças de substituição (fornecido com a máquina)
- Manual de assistência (pode ser consultado apenas pelos técnicos qualificados nos Centros de Assistência Advance)

PEÇAS DE SUBSTITUIÇÃO E MANUTENÇÃO

Em caso de necessidade relativa à utilização, à manutenção e à reparação, consulte o pessoal qualificado ou directamente os Centros de assistência Advance. Utilize sempre peças de substituição e acessórios originais.

Para obter assistência e para encomendar peças de substituição e acessórios, contacte a Advance, especificando sempre o modelo, o código do produto e o número de série.

MODIFICAÇÕES E MELHORIAS

A Advance procura constantemente aperfeiçoar os produtos e reserva-se o direito de efectuar modificações e melhorias, quando necessário, sem a obrigação de modificar as máquinas vendidas anteriormente.

Fica estipulado que qualquer modificação e/ou acréscimo de acessórios deve ser explicitamente aprovada e realizada pela Advance.

CAPACIDADE DE OPERAÇÃO

A máquina de lavar e secar SC500 foi concebida e fabricada para a limpeza (lavagem e secagem) de pisos lisos e sólidos, em espaços públicos e industriais, em condições de comprovada segurança, por parte de um operador qualificado. A máquina de lavar e secar não é adequada para a lavagem de tapetes ou carpetes.

CONVENÇÕES

Todas as referências para a frente e para trás, dianteiro e traseiro, direito e esquerdo indicadas neste manual, devem ser entendidas como referindo-se ao operador na posição de condução com as mãos no guiador (1).

DESEMBALAGEM/ENTREGA

Para desembalar a máquina, siga atentamente as instruções indicadas na própria embalagem.

No momento da entrega da máquina, verifique com atenção que a embalagem e a máquina não tenham sido danificadas durante o transporte.

Se notar qualquer dano, guarde a embalagem para que possa ser vista por parte do transportador responsável pela entrega.

Contacte imediatamente a empresa de entregas para preencher um pedido de indemnização pelos danos.

Verifique que os seguintes componentes são fornecidos com a sua máquina:

- Documentação técnica:
 - Manual de instruções de uso da máquina de lavar e secar
 - Manual do carregador de bateria electrónico
 - Catálogo das peças de substituição da máquina de lavar e secar



AVISO!

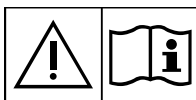
Os produtos vendidos com este Manual contêm produtos químicos que são considerados por alguns governos (como o Estado da Califórnia, conforme identificado na respectiva Proposta 65 de Lei de Advertência Regulamentar) como causadores de cancro, defeitos de nascença ou outros problemas reprodutivos. Em determinados locais (incluindo o Estado da Califórnia), os compradores destes produtos que os colocam em serviço num local de trabalho ou num espaço de acesso público devem, por lei, fazer determinados avisos, advertências ou divulgações no que diz respeito aos produtos químicos que existem ou possam existir nos Produtos em tais locais de trabalho. Cabe ao comprador a responsabilidade de conhecer o conteúdo e cumprir qualquer lei e regulamento relacionados com o uso destes Produtos neste tipo de ambientes. O Fabricante isenta-se de qualquer responsabilidade relativa ao aviso dos compradores quanto a quaisquer requisitos específicos que se possam aplicar ao uso dos Produtos neste tipo de ambientes.

SEGURANÇA

São utilizados os seguintes símbolos para assinalar eventuais situações de perigo. Leia sempre estas informações com atenção e tome as devidas precauções para proteger as pessoas e os objectos.

A colaboração do operador é essencial para evitar acidentes. Nenhum programa de prevenção de acidentes pode ser eficaz sem a total colaboração da pessoa directamente responsável pelo funcionamento da máquina. A maioria dos acidentes, que podem ocorrer numa fábrica, no trabalho ou nas deslocações, resultam do incumprimento das mais elementares normas de segurança. Um operador atento e prudente é a melhor garantia contra os acidentes e indispensável para implementar qualquer programa de prevenção.

SÍMBOLOS VISÍVEIS NA MÁQUINA



ATENÇÃO!

Leia atentamente todas as instruções antes de executar qualquer operação na máquina.



ATENÇÃO!

Não lave a máquina com jactos de água directos ou sob pressão.



ATENÇÃO!

Não utilize a máquina em superfícies cujo gradiente seja superior àquele indicado.

SÍMBOLOS UTILIZADOS NO MANUAL**PERIGO!**

Indica um perigo com risco, até mortal, para o operador.

**ATENÇÃO!**

Indica um risco potencial de acidente para as pessoas.

**ADVERTÊNCIA!**

Indica uma advertência ou uma nota sobre funções chave ou sobre funções úteis. Preste a máxima atenção aos blocos de texto assinalados com esse símbolo.

**NOTA**

Indica uma nota sobre funções chave ou sobre funções úteis.

**CONSULTA**

Indica a necessidade de consultar o Manual de instruções de uso antes de executar qualquer operação.

INSTRUÇÕES GERAIS

Encontram-se descritas a seguir advertências e atenções específicas para indicar os potenciais perigos de danos à máquina e às pessoas.

**PERIGO!**

- *Antes de efectuar qualquer operação de limpeza na máquina, de manutenção, de substituição de peças ou a conversão para outras funções, a chave de ignição deve ser removida e o conector das baterias deve ser desligado.*
- *Esta máquina deve ser utilizada apenas por pessoas que tenham tido formação apropriada.*
- *Quando estiver a trabalhar próximo de componentes eléctricos, tire todas as jóias.*
- *Não trabalhe sob a máquina levantada, sem os suportes de elevação fixos de segurança adequados.*
- *Não opere com esta máquina em espaços onde estejam presentes poeiras, líquidos ou vapores nocivos, perigosos, inflamáveis e/ou explosivos: esta máquina não é adequada para recolher poeira perigosa.*
- *A máquina está equipada com baterias de chumbo (WET), mantenha faíscas, chamas e materiais incandescentes afastados das baterias. Gases explosivos são expelidos durante o uso normal.*
- *Se a máquina estiver equipada com baterias de chumbo (WET), durante o carregamento das baterias é produzido gás hidrogénio altamente explosivo. Levante o reservatório de água de recuperação durante todo o ciclo de recarga das baterias e efectue a operação apenas em áreas bem ventiladas e longe de chamas livres.*

**ATENÇÃO!**

- *Antes de efectuar qualquer intervenção de manutenção/reparação, leia cuidadosamente todas as instruções relativas à manutenção/reparação.*
- *A chave de ignição da máquina é dotada de um íman incorporado. Não coloque objectos contendo bandas magnéticas (cartões de crédito, chaves electrónicas, cartões telefónicos ou semelhantes) junto à chave. O íman incorporado pode danificar ou apagar os dados registados na banda magnética.*
- *Antes de utilizar o carregador de bateria, certifique-se de que a frequência e a tensão indicadas na placa do número de série da máquina correspondem à tensão da rede.*
- *Não utilize o cabo do carregador de bateria para tirar ou transportar a máquina, nem o utilize como se fosse uma pega. Não deixe que o cabo do carregador de bateria seja preso numa porta, nem o puxe em superfície ou ângulos afiados. Não passe com a máquina por cima do cabo do carregador de bateria.*
- *Mantenha o cabo do carregador de baterias afastado de superfícies quentes.*
- *Se o cabo do carregador de baterias ou a ficha estiverem danificados, não recarregue as baterias da máquina.*
- *Para reduzir o risco de incêndio, choques eléctricos ou lesões, não deixe a máquina ligada à rede eléctrica sem vigilância. Antes de efectuar a manutenção, desligue o cabo do carregador de bateria da rede eléctrica.*
- *Não fume durante o carregamento das baterias.*
- *Para evitar a utilização da máquina sem autorização, remova a chave de ignição.*
- *Se a máquina for deixada sem vigilância, deve ser bloqueada para impedir o movimento involuntário.*

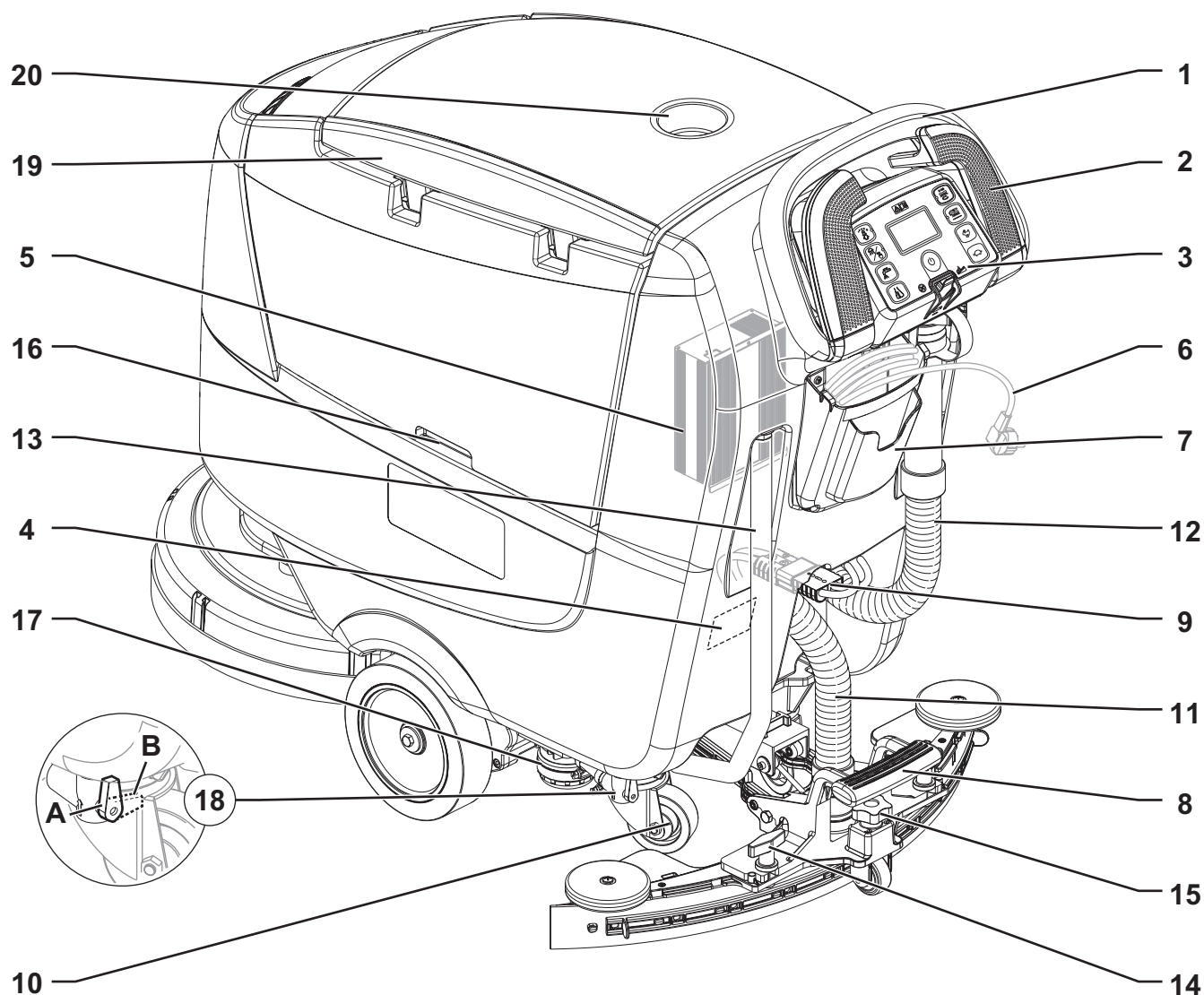
**ATENÇÃO!**

- *Proteja sempre a máquina do sol, chuva e outras intempéries seja em estado de funcionamento ou parada. Mantenha a máquina num lugar coberto, num ambiente seco: esta máquina deve ser utilizada só a seco e não deve ser utilizada ou conservada no exterior, em condição de humidade.*
- *Antes de utilizar a máquina, feche todas as portinholas e/ou tampas como descrito no Manual de instruções de uso.*
- *Esta máquina não é adequada para a utilização por parte de pessoas (incluindo crianças) com capacidades físicas, sensoriais ou mentais reduzidas, bem como com falta de experiência ou de conhecimento, salvo se forem supervisionadas ou formadas sobre a utilização da máquina por parte de uma pessoa responsável pela sua segurança.*
As crianças devem ser vigiadas para garantir que não brincam com a máquina.
- *Preste em particular atenção quando a utilizar com crianças por perto. Não utilize para fins diferentes dos que são indicados neste Manual. Utilize unicamente os acessórios recomendados pela Advance.*
- *Inspeccione atentamente a máquina e verifique sempre se montou correctamente todos os componentes antes da utilização. A utilização da máquina não perfeitamente montada pode provocar lesões nas pessoas e nos danos nas ferramentas.*
- *Tome as devidas precauções de modo que cabelos, jóias, partes das roupas soltas não fiquem presas nas partes em movimento da máquina.*
- *Não utilize a máquina em superfícies inclinadas.*
- *Não incline a máquina a um ângulo superior à marca existente na máquina para não comprometer a estabilidade.*
- *Não utilize a máquina em espaços particularmente poeirentos.*
- *Utilize a máquina unicamente em áreas suficientemente iluminadas.*
- *Durante a utilização da máquina, preste atenção para garantir a segurança das outras pessoas e dos objectos.*
- *Não encoste a estantes ou andaimes, principalmente se existir o perigo de queda de objectos.*
- *Não pose recipientes com líquidos na máquina, utilize a base específica porta-copos e porta-latas.*
- *A temperatura de utilização da máquina deve estar compreendida entre +32 °F e 104 °F (0 °C e +40 °C).*
- *A temperatura de armazenamento deve estar compreendida entre +32 °F e 104 °F (0 °C e +40 °C).*
- *A humidade deve estar compreendida entre 30 % e 95 %.*
- *Durante a utilização de detergentes para a limpeza dos pavimentos, siga as instruções e as advertências indicadas nas etiquetas das garrafas.*
- *Antes de manusear detergentes para a limpeza dos pavimentos, vista luvas e protecções adequadas.*
- *Não utilize a máquina como meio de transporte.*
- *Evite que a escova/feltro trabalhe com a máquina parada para não provocar danos no piso.*
- *Em caso de incêndio, utilize, se for possível, um extintor de pó e não de água.*
- *Não viole, em nenhum caso, as protecções previstas para a máquina, respeite escrupulosamente as instruções previstas para a manutenção periódica.*
- *Não deixe nenhum objecto penetrar nas aberturas. Se as aberturas estiverem obstruídas, não utilize a máquina. Mantenha as aberturas da máquina livres de pó, fios, pêlos e qualquer outro corpo estranho que possa reduzir o fluxo de ar.*
- *Não remova, nem altere as placas colocadas na máquina.*
- *No caso em que a máquina seja movimentada através de empurro por motivos de serviço (falta de baterias, baterias descarregas, etc.), nunca ultrapassar a velocidade de 2,5 mph (4 km/h).*
- *A presente máquina não é aprovada para a utilização em estradas ou vias públicas.*
- *Preste atenção durante o transporte da máquina em condições abaixo da temperatura de congelamento. A água presente no reservatório da água de recuperação ou nos tubos pode congelar e danificar gravemente a máquina.*
- *Utilize unicamente as escovas e os feltros fornecidos com a máquina ou os especificados no Manual de instruções de uso. A utilização de outras escovas ou feltros pode pôr em causa a segurança.*
- *No caso de se verificarem anomalias no funcionamento da máquina, certifique-se de que não se devem à falta de manutenção periódica. Caso contrário, solicite a intervenção do pessoal autorizado ou do centro de assistência autorizado.*
- *Em caso de substituição de peças, solicite peças de substituição ORIGINAIS a um concessionário ou revendedor autorizado.*
- *Por motivos da segurança, e também do bom funcionamento, faça com que pessoal autorizado ou um centro de assistência autorizado execute a manutenção programada prevista no capítulo específico deste manual.*
- *Não lave a máquina com jactos de água directos ou sob pressão, ou com substâncias corrosivas.*
- *A máquina não deve ser abandonada, no fim de seu ciclo de vida, devido à presença, em seu interior, de materiais tóxicos nocivos (baterias, etc.), sujeitos a normas que prevêm o despejo junto a centros especiais (veja o capítulo Fim de vida).*

DESCRIÇÃO DA MÁQUINA

ESTRUTURA DA MÁQUINA

1. Guiador
2. Painel de accionamento de trabalho e marcha em frente/ marcha-atrás
3. Painel de controlo
4. Placa do número de série/dados técnicos/marca de conformidade
5. Carregador de baterias
6. Cabo de alimentação do carregador de baterias
7. Compartimento de alojamento do cabo do carregador de baterias e porta-documentos
8. Pedal de elevação/abaixamento do limpador
9. Conector (vermelho) das baterias.
Este conector activa também a função de EMERGÊNCIA para a paragem imediata de todas as funções.
10. Rodas traseiras giratórias
11. Tubo de aspiração do limpador
12. Tubo de descarga da água de recuperação
13. Tubo de nível e de descarga da água de lavagem
14. Volantes de fixação do limpador
15. Manípulo de regulação do limpador
16. Pega de elevação do reservatório
17. Filtro da água de lavagem
18. Torneira da água de lavagem:
A) Torneira aberta
B) Torneira fechada
19. Tampa de reservatório da água de recuperação
20. Porta-copos/latas

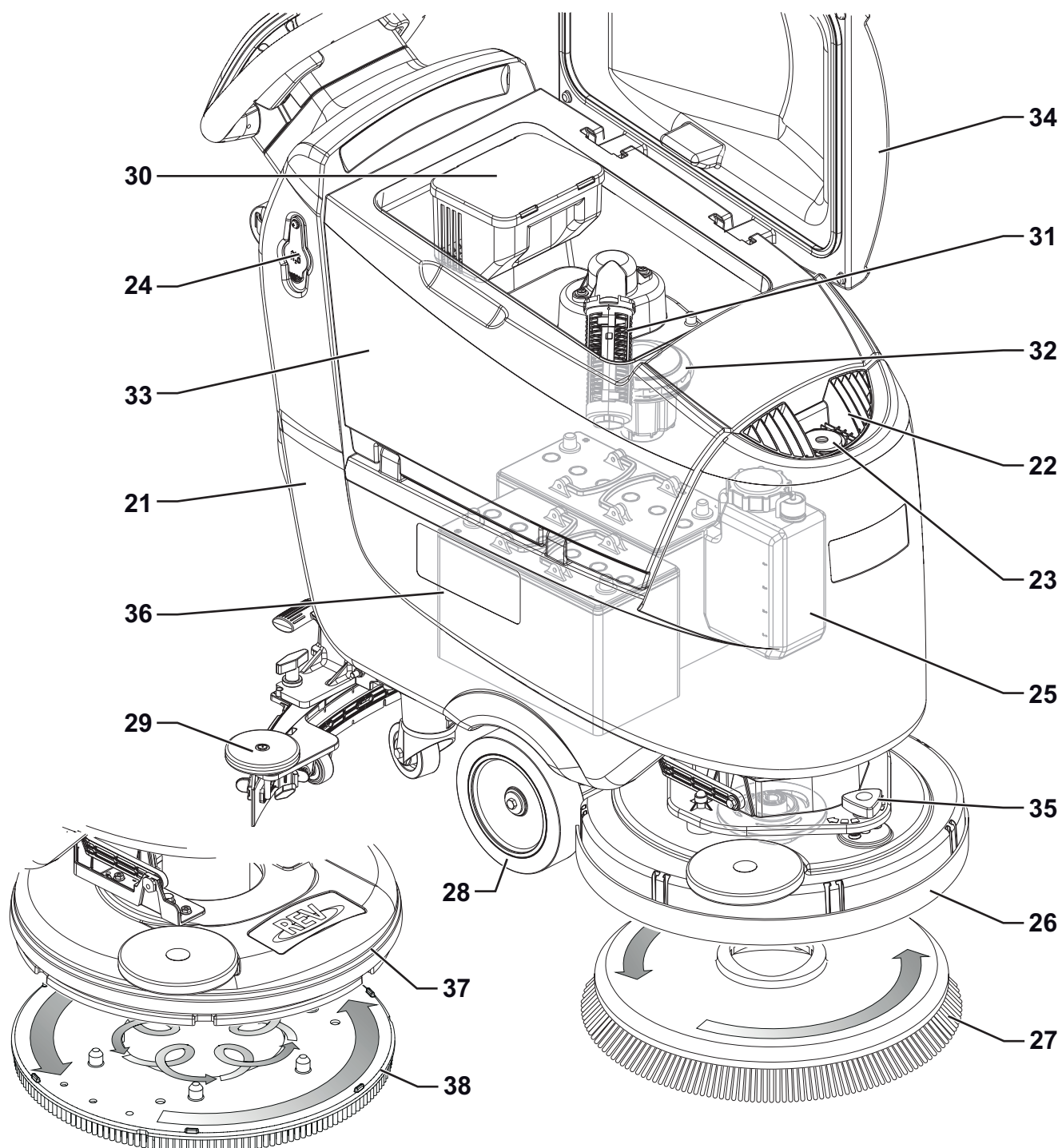


P100837

ESTRUTURA DA MÁQUINA (continuação)

- | | |
|--|--|
| 21. Reservatório da água de lavagem | 30. Recipiente para recolha de detritos |
| 22. Bocal frontal de enchimento do reservatório da água de lavagem | 31. Grelha de aspiração com fechamento automático com bóia |
| 23. Tubo extraível para o carregamento da água | 32. Motor do sistema de aspiração |
| 24. Tampa do bocal lateral para enchimento com água de lavagem | 33. Reservatório da água de recuperação |
| 25. Bidão de detergente EcoFlex™ | 34. Tampa de reservatório da água de recuperação aberta |
| 26. Cabeça do porta-escovas de disco | 35. Manipulo de regulação do avanço rectilíneo da máquina |
| 27. Escova | 36. Baterias (opcionais) |
| 28. Rodas de tracção dianteiras | 37. Cabeça REV™ (*) |
| 29. Limpador | 38. Escova REV™ (*) |

(*) Só para a versão REV™



P100854

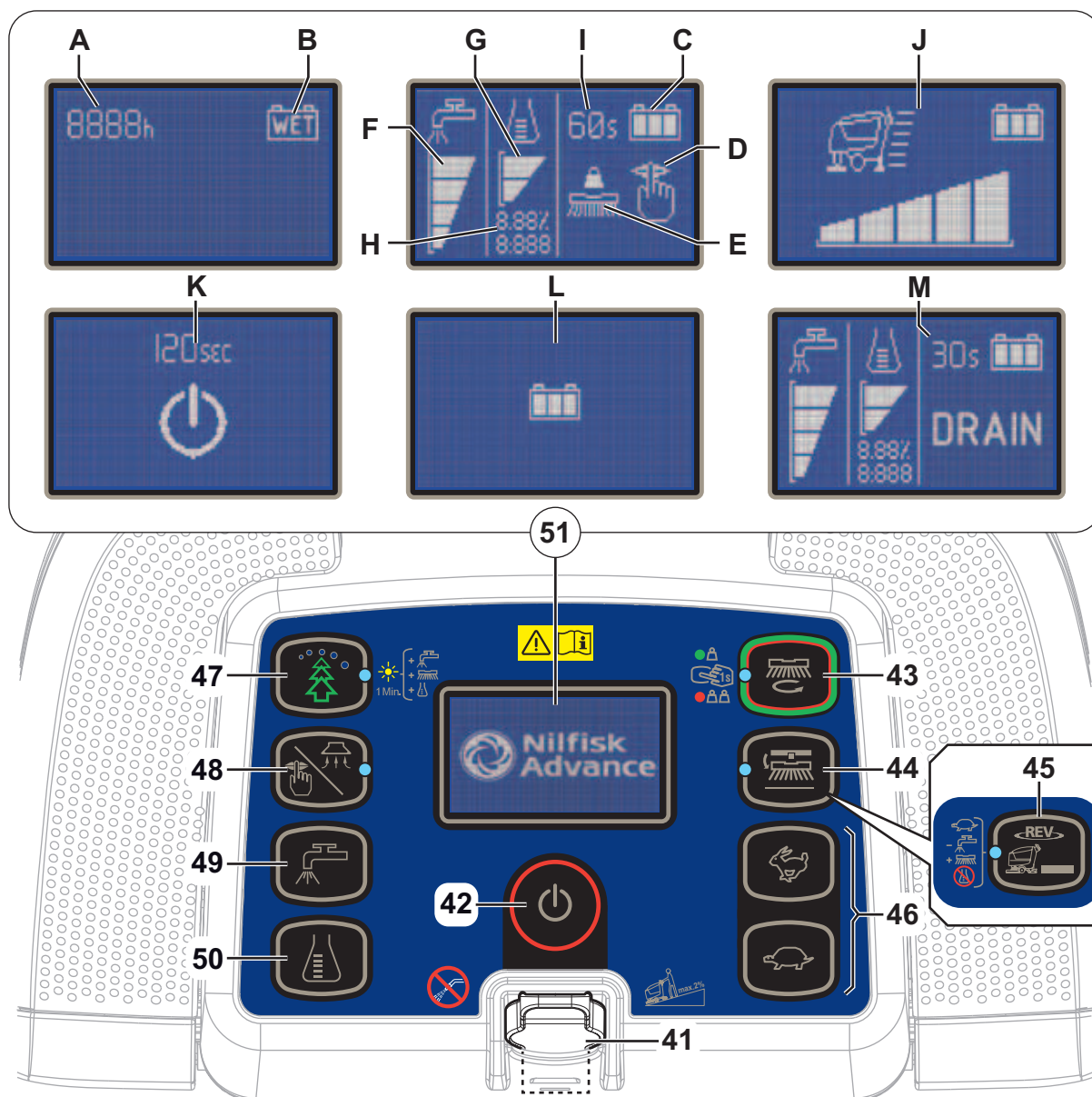
PAINEL DE CONTROLO

41. Chave de ignição/desligamento da máquina
 - Chave do operador (cinzenta)
 - Chave de serviço (amarela) (veja o capítulo Manutenção)
42. Botão de ligar/desligar a máquina
43. Botão One-Touch™ de lavagem/secagem
 - Led verde intermitente - elevação/abaixamento da cabeça do porta-escovas
 - Led verde - máquina em funcionamento
 - Led vermelho - (mantenha premido durante um segundo) pressão adicional da escova
44. Botão de desengate da escova
 - Led intermitente - sistema de desengate activado
45. Botão de funções REV™ (*)
 - Led aceso - sistema activado
46. Botões de regulação da velocidade de marcha da máquina
 - Lebre - aumento da velocidade de marcha
 - Tartaruga - diminuição da velocidade de marcha
47. Botão do sistema EcoFlex™
 - Led aceso - EcoFlex™ em funcionamento
 - Led intermitente - estado de override temporário
48. Botão de regulação/desactivação do equipamento de aspiração
 - Led aceso - equipamento de aspiração activado
49. Botão de regulação do fluxo de detergente
50. Botão de regulação em percentagem do detergente de lavagem
51. Visor multifunções

Visualizações:

 - A) Horas de trabalho
 - B) Tipo das baterias
 - C) Estado de carregamento das baterias
 - D) Modo de aspiração
 - E) Modo de funcionamento da escova
 - F) Quantidade de fluxo da solução detergente
 - G) Quantidade em percentagem do detergente
 - H) Percentagem de detergente na água de lavagem
 - I) Temporizador de override do sistema EcoFlex™
 - J) Configuração da velocidade máxima de marcha
 - K) Temporizador de desligamento automático
 - L) Recarregamento das baterias com um carregador de baterias integrado
 - M) Activação da purga do sistema EcoFlex™

(*) Só para a versão REV™



P100855

ACESSÓRIOS / OPCIONAIS

Além dos componentes existentes na versão padrão, a máquina pode ser equipada com os seguintes acessórios/opcionais, com base na utilização específica da mesma:

- Baterias GEL/AGM
- Escovas de materiais diferentes em relação ao standard
- Filtros de materiais diferentes em relação ao equipamento padrão
- Guarda-lamas
- Borrachas do limpador em borracha natural

Para mais informações relativas aos acessórios opcionais acima indicados, consulte o seu revendedor habitual.

CARACTERÍSTICAS TÉCNICAS

Modelo	Advance SC500 20 B	Advance SC500 20R B
Capacidade do reservatório da água de lavagem	12 US gal (45 litros)	
Capacidade do reservatório da água de recuperação	12 US gal (45 litros)	
Comprimento da máquina	50,3 in (1.277 mm)	51,2 in (1.302 mm)
Largura da máquina com limpador	28,3 in (720 mm)	
Largura da máquina sem limpador	21 in (532 mm)	21,2 in (538 mm)
Altura da máquina	41,8 in (1.063 mm)	
Largura de limpeza	20 in (530 mm)	
Diâmetro das rodas de tracção	7,8 in (200 mm)	
Pressão específica das rodas de tracção	101 psi (0,7 N/mm ²)	
Diâmetro das rodas traseiras direccionáveis	3,1 in (80 mm)	
Pressão específica das rodas traseiras no piso	304 psi (2,1 N/mm ²)	
Diâmetro da escova/filtro	20 in (530/508 mm)	
Pressão da escova com pressão suplementar desengatada	33 lb (15 kg)	49 lb (22 kg)
Pressão da escova com pressão suplementar engatada	66 lb (30 kg)	66 lb (30 kg)
Valores do fluxo de solução detergente	0,75 cl/m / 1,5 cl/m 3,0 cl/m / 2,8 l/min	0,38 cl/m / 0,75 cl/m 1,5 cl/m / 2,8 l/min
Percentagem de detergente do sistema EcoFlex™	Rácio 1:500 + 1:33 (0,25 % + 3 %)	
Pressão sonora no ouvido do operador (ISO 11201, ISO 4871, EN 60335-2-72) (LpA)	63 ± 3 dB(A)	65 ± 3 dB(A)
Pressão sonora no ouvido do operador no modo silencioso (LpA)	60 ± 3 dB(A)	61 ± 3 dB(A)
Potência sonora emitida pela máquina (ISO 3744, ISO 4871, EN 60335-2-72) (LwA)	81 dB(A)	83 dB(A)
Nível das vibrações no braço do operador (ISO 5349-1, EN 60335-2-72)	< 98,4 in/s ² (< 2,5 m/s ²)	
Inclinação máxima de utilização	2 %	
Potência do motor do sistema de tracção	0,27 hp (200 W)	
Velocidade de tracção (variável)	0-3,1 mi/h (0-5 km/h)	
Potência do motor do sistema de aspiração	0,37 hp (280 W)	
Depressão do circuito do sistema de aspiração	29,9 in H ₂ O (760 mm H ₂ O)	
Potência motor escova	0,6 hp (450 W)	0,9 HP (670 W)
Velocidade de rotação da escova	155 rpm	-
Potência total absorvida (*)	0,7 hp (500 W)	
Grau de protecção IP	X4	
Classe de protecção (eléctrica)	III (I para o carregador de baterias)	
Dimensão do vão baterias	13,7x13,7x10,2 in (350x350x260 mm)	
Tensão instalação	24 V	
Baterias standard (quantidade 2)	12 V 105 AhC5	
Carregador de baterias	24 V 13 A	
Autonomia de trabalho (baterias standard) (*)	3,5 hora	
Peso sem baterias e com os reservatórios vazios	187 lb (85 kg)	194 lb (88 kg)
Peso máximo admissível em andamento (GVW)	456 lb (207 kg)	463 lb (210 kg)
Peso de expedição	256 lb (116 kg)	262 lb (119 kg)

(*) Valores nas condições padrão de trabalho (EN 60335-2-72)

DIAGRAMA ELÉCTRICO

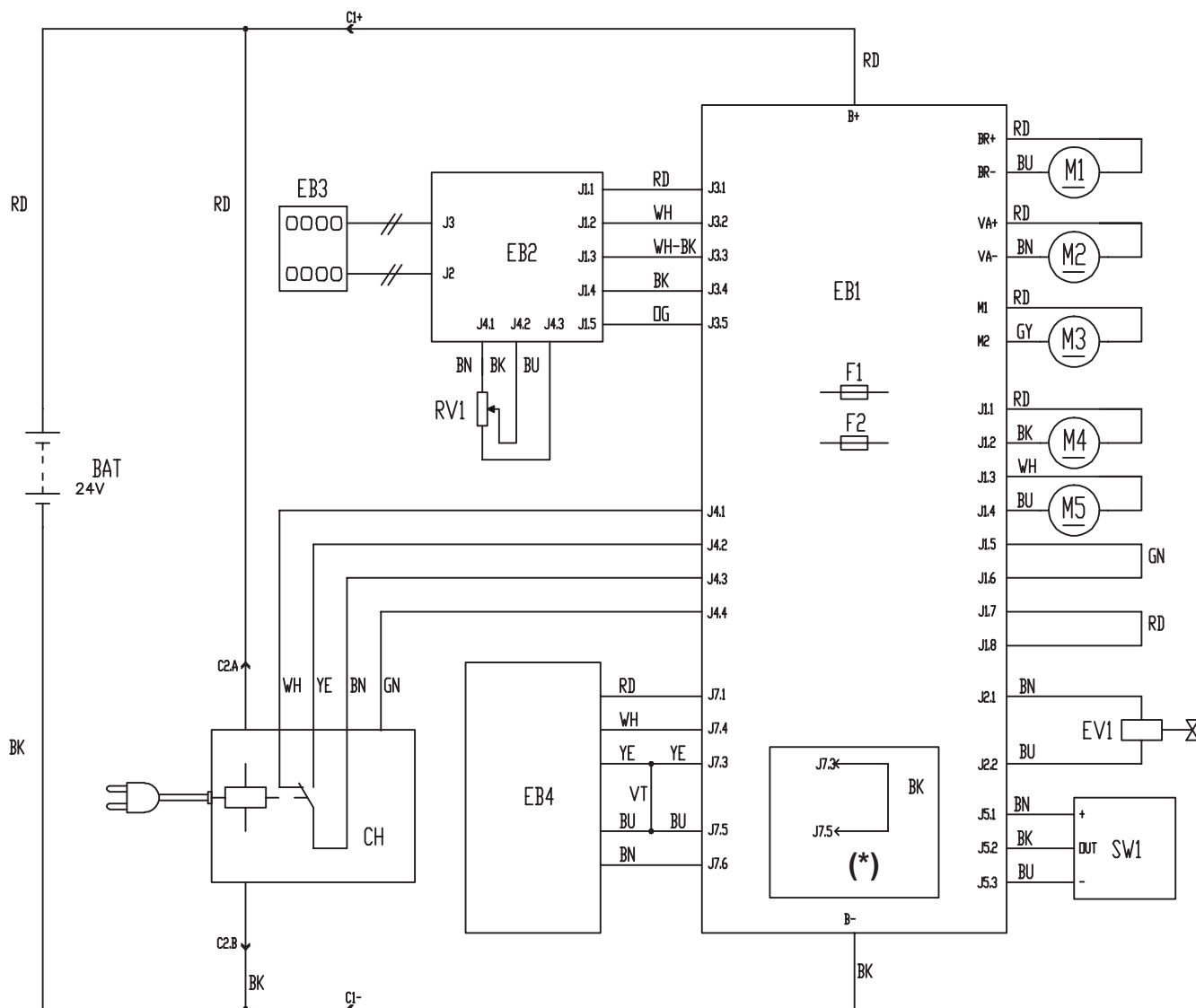
Legenda

BAT	Baterias 24 V
C1	Conectores das baterias
C2	Conector principal do carregador de baterias
C3	Conector secundário do carregador de baterias
CH	Carregador de baterias
EB1	Placa de funções
EB2	Placa de ecrã
EB3	Placa da imagem do painel
EB4	TrackClean (opcional)
EV1	Electroválvula
F1	Fusível da placa das funções
F2	Fusível dos circuitos de sinal
M1	Motor escova
M2	Motor de aspiração
M3	Motor de tracção
M4	Bomba EcoFlex™
M5	Accionador da cabeça do porta-escovas
RV1	Potenciómetro de velocidade
SW1	Sensor do nível de detergente

Código das cores

BK	Preto
BU	Azul-claro
BN	Castanho
GN	Verde
GY	Cinzento
OG	Cor de laranja
PK	Rosa
RD	Vermelho
VT	Roxo
WH	Branco
YE	Amarelo

(*) Versão sem TrackClean



P100856

UTILIZAÇÃO



ATENÇÃO!

Em alguns pontos da máquina encontram-se aplicadas autocolantes que indicam:

- PERIGO
- ATENÇÃO
- ADVERTÊNCIA
- CONSULTA

Durante a leitura deste guia, o operador deve compreender perfeitamente o significado dos símbolos presentes nas placas (ver o parágrafo "Símbolos visíveis na máquina").

Não cubra, em caso algum, os autocolantes e substitua-os imediatamente caso venham a ser danificados.

CONTROLO / PREPARAÇÃO DAS BATERIAS NUMA MÁQUINA NOVA



ATENÇÃO!

Os componentes eléctricos desta máquina podem sofrer sérios danos se as baterias não forem instaladas e conectadas da maneira correcta. As baterias devem ser instaladas exclusivamente por pessoal qualificado. Configure a máquina em função do tipo de baterias utilizadas.

Inspeccione as baterias antes da instalação para verificar que não estejam danificadas.

Desligue o conector das baterias e a ficha do carregador de baterias.

Manuseie as baterias com muita atenção.

Instale as tampas protectoras dos terminais das baterias fornecidas com a máquina.

A máquina requer 2 baterias de 12 V, ligadas conforme o diagrama indicado na Figura 1.

A máquina pode ser fornecida nas seguintes configurações:

Baterias montadas na máquina e prontas a utilizar

1. Certifique-se de que o conector das baterias (9) está ligado.
2. Na primeira utilização da máquina com baterias novas, efectue um ciclo de carregamento completo das baterias (veja o procedimento no capítulo Manutenção).

Sem baterias

1. Compre as baterias adequadas (veja o parágrafo Características Técnicas). Dirija-se a revendedores qualificados para a escolha e a instalação.
2. Em função do tipo de baterias seleccionado, configure a máquina, procedendo conforme o indicado na alínea Chave de serviço, no capítulo Manutenção.

INSTALAÇÃO DAS BATERIAS

Instalação das baterias

1. Retire a chave do operador (41).
2. Desligue o conector (9) das baterias.
3. Levante a tampa (34) e verifique se o reservatório da água de recuperação (33) está vazio. Caso contrário, esvazie-o através do tubo de descarga (12).
4. Feche a tampa (34).
5. Segure a pega (16) levante o reservatório com cuidado (33).
6. A máquina vem equipada de fábrica com cabos suficientes para instalar 2 baterias de 12 V. Com cautela, levante as baterias até ao compartimento correspondente e, de seguida, coloque-as na posição correcta.
7. Posicione e instale os cabos das baterias conforme o ilustrado no diagrama da Figura 1. De seguida, aperte com atenção a porca em cada terminal das baterias.
8. Ligue o conector (9) das baterias.
9. Segure a pega (16) baixe o reservatório com cuidado (33).

Carregamento das baterias

10. Efectue um ciclo de carregamento completo das baterias (veja o procedimento no capítulo Manutenção).

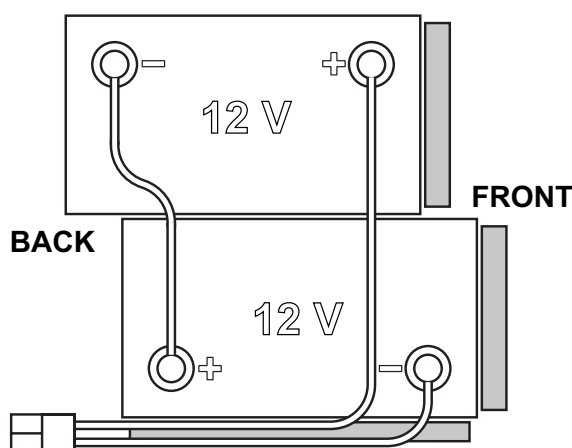


Figura 1

P100841

ANTES DE COLOCAR A MÁQUINA EM FUNCIONAMENTO

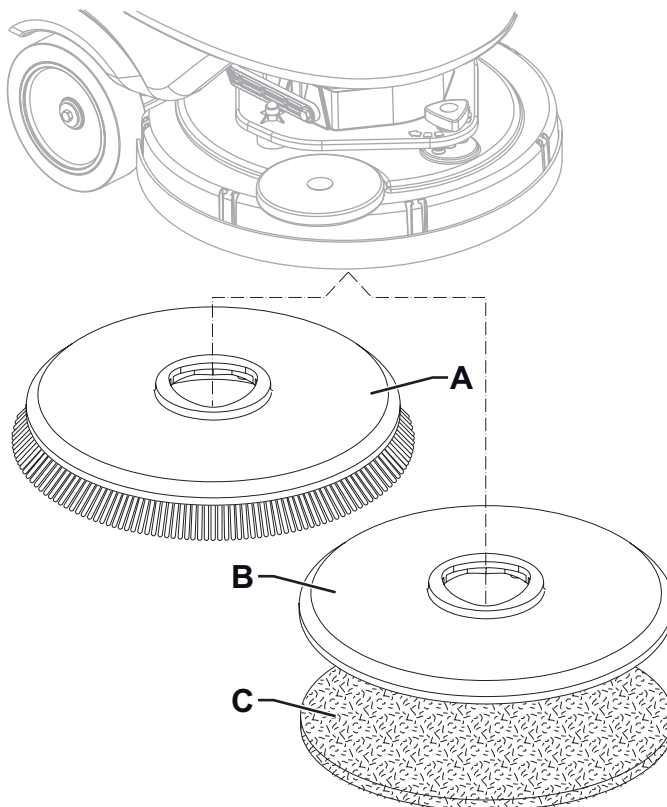


ATENÇÃO!

Antes de ligar a máquina ou antes de accionar o botão One-Touch™ (43), verifique se não há corpos estranhos entre a cabeça e a estrutura do reservatório, que possam dificultar a possível movimentação da cabeça. Se a máquina tiver sido já desligada sem ter levantado a cabeça, ao voltar a ligá-la, a cabeça levanta-se automaticamente.

Instalação/remoção da escova ou do porta-feltro (sistema de disco)

1. Na máquina, é possível instalar as escovas (A, Fig. 2) e os porta-feltros (B) com feltro (C), de acordo com o tratamento a efectuar no chão.
2. Introduza a chave do operador (41) na sua sede do painel de comando (3).
3. Defina para o mínimo a velocidade de avanço, premindo o botão da tartaruga (46).
4. Posicione a escova (A) ou o porta-feltro (B) sob a cabeça do porta-escovas (26).
5. Prima o botão (43) para abaixar a cabeça na escova.
6. Para engatar a escova, prima o painel (2). De seguida, liberte-o. Se for necessário, repita a operação até ao engate da escova.



ADVERTÊNCIA!

Defina para o mínimo a velocidade da máquina e prima brevemente o painel, caso contrário, a máquina coloca-se em movimento.

7. Para remover a escova, é necessário levantar a cabeça, premindo o botão (43). De seguida, prima o botão de desengate (44).



De seguida, é apresentado o ícone no visor (51). Aguarde até que a escova caia no piso.

Figura 2

P100842

Tipos de escovas disponíveis e guia da sua aplicação (apenas sugestões)

Modelos	46 GRIT	80 GRIT	180 GRIT	240 GRIT	500 GRIT	PROLENE	PROLITE	UNION MIX
Limpeza geral:								
Betão								
Piso de terraço								
Pavimento de azulejos/pedra								
Mármore								
Pavimento de vinil								
Pavimento de borracha								
Polimento:								
Pavimento de borracha								
Mármore								
Pavimento de vinil								

Instalação/remoção do feltro ou da escova (sistema REV™)

1. Certifique-se de que a cabeça REV™ (37) está subida.
2. Desligue a máquina e extraia a chave do operador (41).
3. Em função do tratamento a realizar no pavimento, instale o filtro (A, Fig. 3) ou a escova (C, opcional) com as seguintes indicações:
 - Posicione o filtro (A) sob a cabeça e pressione-o até estar fixado com o velcro do disco transportador (B).
 - Posicione a escova (C, opcional) sob a cabeça e faça encaixar os pernos de centragem (D) nos respectivos furos do disco transportador (B), engatando depois a escova com os três parafusos de fixação (E).
4. Para remover o filtro ou a escova, proceda pela ordem inversa em relação à instalação.

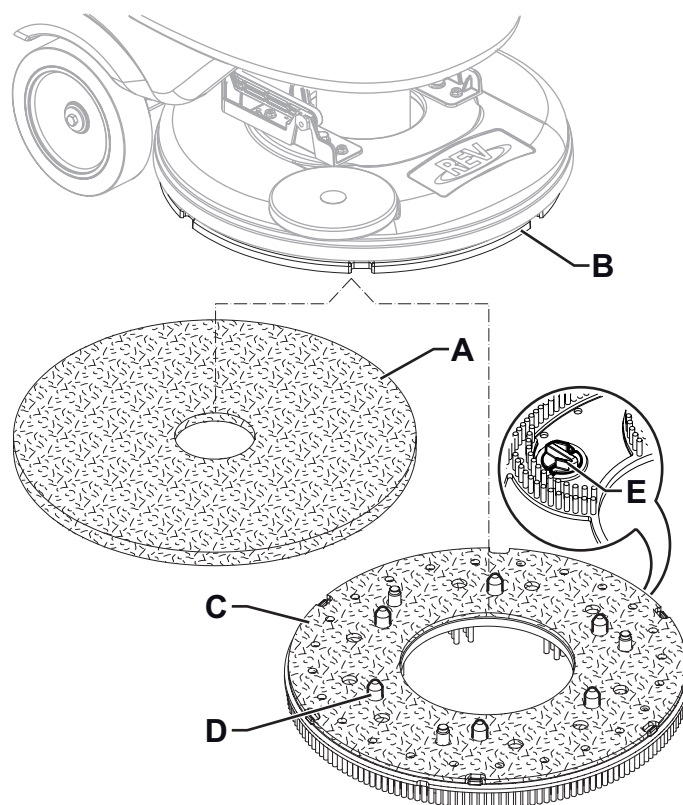


Figura 3

P100857

Instalação do limpador

1. Instale o limpador (A, Fig. 4) e fixe-o com os volantes (B) ao suporte (C).
2. Se necessário, regule o limpador com o manípulo (D) de forma que a borracha posterior (E) e a borracha anterior (F) toquem no piso, conforme indicado na figura.

Enchimento do reservatório da água de lavagem

1. Certifique-se de que a torneira da água de lavagem (18) se encontra na posição aberta (18-A).
2. Para encher o reservatório de água de lavagem (21), utilize o tubo extraível de carregamento de água (23) do bocal frontal (22) ou abra a tampa (24) para aceder ao bocal lateral.
3. Encha o reservatório (21) com água limpa. Não encha completamente o reservatório, pare a alguns centímetros do topo. Utilize o tubo de nível como referência (13). A temperatura da água não deve ultrapassar os 40 °C.

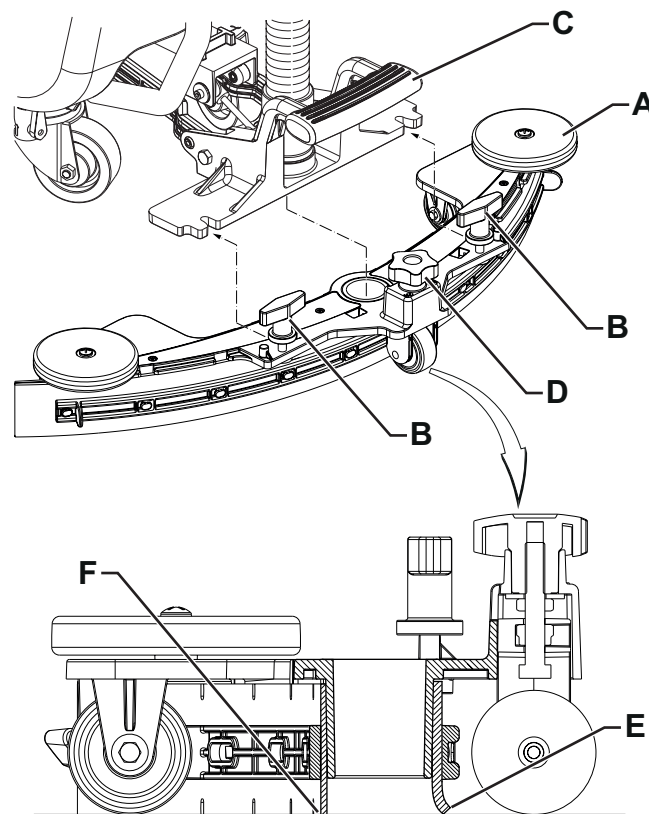


Figura 4

P100843

Enchimento do bidão de detergente EcoFlex™**ATENÇÃO!**

Durante a utilização de detergentes para a limpeza dos pavimentos, siga as instruções e as advertências indicadas nas etiquetas das garrafas.

Antes de manusear detergentes para a limpeza dos pavimentos, vista luvas e protecções adequadas.

- Levante a tampa (34) e verifique se o reservatório da água de recuperação (33) está vazio. Caso contrário, esvazie-o através do tubo de descarga (12).
- Feche a tampa (19).
- Segure a pega (16) levante o reservatório com cuidado (33).
- Encha o bidão (25) com um detergente adequado para o trabalho a efectuar (detergente de alta concentração). Não encha completamente o bidão de detergente, pare a alguns centímetros do topo.

**ADVERTÊNCIA!**

Utilizar exclusivamente detergentes líquidos que produzam pouca espuma e não inflamáveis, idóneos para os aparelhos em uso.

**NOTA**

Para acelerar o enchimento das tubagens e o funcionamento do sistema (em caso de sistema novo, de sistema esvaziado para limpeza, etc.), pode ser útil executar um ou mais ciclos de limpeza do sistema EcoFlex™ (veja o procedimento no parágrafo Manutenção).

ARRANQUE E PARAGEM DA MÁQUINA**Arranque da máquina**

- Prepare a máquina como previsto no parágrafo anterior.
- Introduza a chave do operador (41) na sua sede do painel de comando (3) para ligar a máquina ou, se a chave já se encontrar na sede, prima o botão (42).
- Nos primeiros 2 segundos depois de ligar, o visor multifunções (51) indica as horas de trabalho da máquina (51-A) e o tipo de baterias instaladas (51-B).

**NOTA**

Controle o estado de carga das baterias.

Quando no visor multifunções se acender, pelo menos, um segmento não intermitente no símbolo de bateria (51-C), a máquina está pronta para a utilização.

Quando no símbolo de bateria (51-C) permanecer aceso apenas um segmento intermitente, convém carregar as baterias (veja o procedimento no capítulo Manutenção).

- Posicione-se no local de trabalho, empurrando a máquina com as mãos no guiador (1) e pressionando o painel (2) para a frente para a marcha em frente e para trás para a marcha-atrás. A velocidade de avanço pode ser regulada com uma maior ou menor pressão do painel (2). A velocidade máxima é configurada com os botões (46).

Paragem da máquina

- Pare o avanço da máquina soltando o painel (2).
- Desligue a máquina, premindo o botão (42) ou retirando a chave do operador (41) da sua sede do painel de comando (3).

**NOTA**

A máquina deixada ligada mas parada, sem qualquer actividade de trabalho, desliga-se automaticamente após 2 minutos.

- Verifique que a máquina não pode mover-se sozinha.

**ADVERTÊNCIA!**

Em caso de necessidade imediata ou para parar todas as funções da máquina em caso de emergência, desligue o conector das baterias (9).

Volte a ligar o conector para reactivar o funcionamento da máquina.

MÁQUINA EM OPERAÇÃO (LAVAGEM/SECAGEM)

- Ligue a máquina, como previsto no parágrafo anterior.
- Baixe o limpador (29) com o pedal (8).
- Prima o botão One-Touch™ (43) para abaixar a cabeça do porta-cabeças e activar a tarefa de lavagem e secagem.
- Comece o trabalho de limpeza, deslocando a máquina e premindo o painel (2). Se for preciso, defina a velocidade máxima com os botões (46).
- Regule a quantidade de fluxo do detergente, premindo o botão (49) de acordo com as exigências, conforme o volume da lavagem a efectuar.



NOTA

Para os primeiros 3 níveis de fluxo (Fig. 4), a quantidade de solução detergente dispensada é automaticamente regulada em função da velocidade de avanço da máquina, com vista a obter uma quantidade de solução detergente constante por metro linear de limpeza.

O nível 4 (se activado) fornece a máxima quantidade de solução detergente possível, independentemente da velocidade de avanço da máquina (para modificar a habilitação, veja a alínea Chave de serviço, no capítulo Manutenção).

O nível 0 encerra completamente o fluxo de solução detergente.

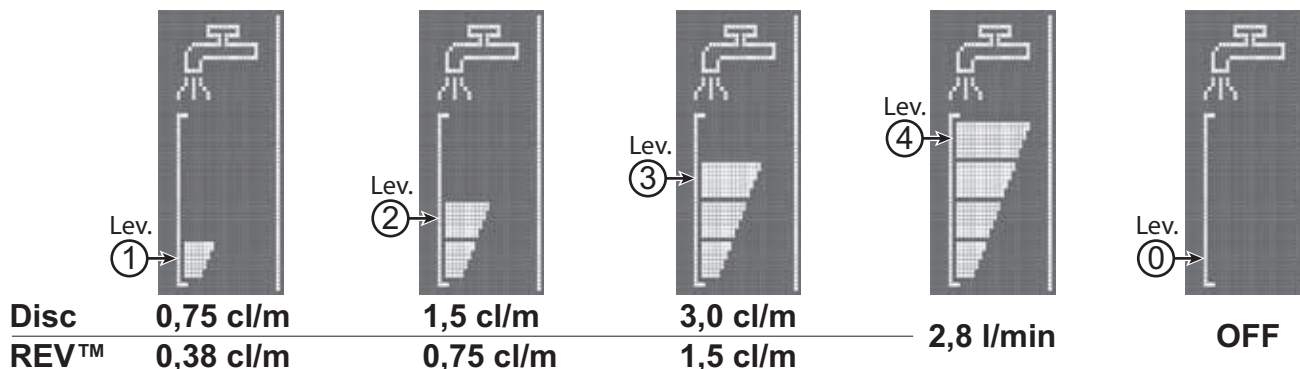


Figura 5

P100858

6. Se necessário, para reduzir ao mínimo o ruído, active a função de modalidade silenciosa premindo o botão (48).



NOTA

Para uma lavagem/secagem correcta dos pavimentos nos bordos das paredes, a Advance sugere aproximar-se com o lado direito da máquina como representado na figura 6.

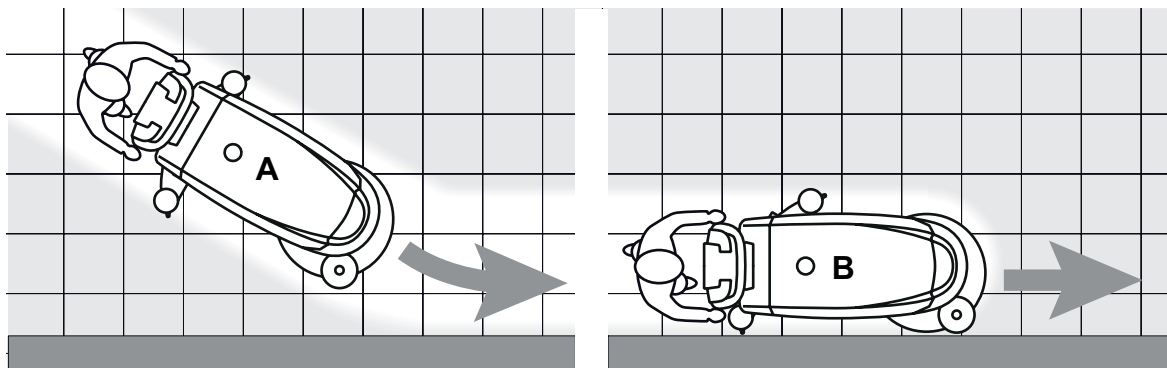


Figura 6

P100845



ADVERTÊNCIA!

Para evitar danificar a superfície do piso tratado, evite fazer rodar a escova com a máquina parada, sobretudo quando trabalhar com a função de pressão suplementar activada.

7. No final do trabalho, prima o botão (43) para levantar a cabeça do porta-escovas. Após 10 segundos, desactiva-se também o equipamento de aspiração.
8. Levante o limpador (29) com o pedal (8).

Regulação da concentração de detergente para a água de lavagem

O sistema de mistura do detergente na água de lavagem é automaticamente activado quando a escova se encontra em funcionamento.

A percentagem de detergente acrescentada à água de lavagem é configurada com o nível 1 (Fig. 7).

Premindo o botão (50), é possível aumentar a percentagem para o nível 2, ou pode redefinir com o nível 0.

As percentagens configuradas são apresentadas no visor multifunções (51-H).

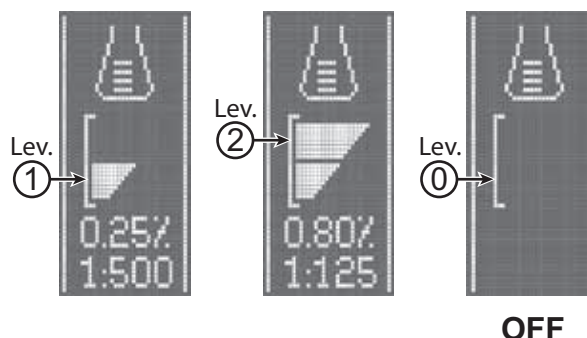


Figura 7

P100846

Sistema EcoFlex™

Prima o botão EcoFlex™ (47) sempre que precisar, momentaneamente, de uma maior potência de lavagem.

Com o sistema EcoFlex™ activo (led intermitente), obtém-se um aumento do fluxo de solução detergente, a activação da pressão adicional da escova e um aumento da concentração de detergente na solução (nível 2, se o nível configurado for 1, nível 1, se o nível configurado for 0).

Premindo novamente o botão EcoFlex™ (47) as regulações iniciais são repostas (led aceso).

**NOTA**

Quando o botão EcoFlex™ (47) não é premido uma segunda vez, as regulações iniciais são repostas automaticamente após 60 segundos.

**NOTA**

Todos os valores acima indicados sobre os níveis das funções do fluxo de detergente e da concentração de detergente são configurações de fábrica.

Para modificar as configurações dos valores, consulte a alínea Chave de serviço, no capítulo Manutenção.

Sistema REV™ (só para a versão REV™)


Prima o botão REV™ (45) sempre que precisar do tipo de lavagem específico.

Com o sistema REV™ activado, obtém-se uma diminuição de velocidade de marcha, uma pressão suplementar da escova, a interrupção do detergente e uma menor quantidade de água de lavagem.

Trabalho com a função de pressão suplementar da escova

Se a sujidade do piso for extremamente resistente, é possível trabalhar no piso com uma pressão suplementar da escova, procedendo como indicado a seguir:

1. Pressione o botão (43) para baixar a cabeça do porta-escovas como indicado no parágrafo “Arranque da máquina”.
2. Mantenha premido o botão (43) durante mais de 1 segundo.

A activação da pressão suplementar é confirmada pela luz do led que passa de verde a vermelho e pelo ícone  no visor (51).

3. Para voltar a trabalhar com a pressão normal, mantenha pressionado o botão (43) mais de 1 segundo.
4. Para levantar a cabeça do porta-escovas sem voltar a trabalhar com a pressão normal, pressione e solte imediatamente o botão (43).

**ADVERTÊNCIA!**

Em caso de sobrecarga do motor da escova, devido a corpos estranhos que dificultam o movimento das mesmas ou a pisos/escovas demasiado agressivos, um sistema de segurança pára o motor.

Se a sobrecarga tiver lugar durante o trabalho com a função de pressão suplementar activada, o sistema desactiva automaticamente a função de pressão suplementar.

Se a sobrecarga continuar, a escova pára.

Para retomar o trabalho após a paragem da escova devido a sobrecarga, é necessário desligar e voltar a ligar a máquina com o botão (42).

Carregamento da bateria durante o funcionamento

Quando permanece aceso só um segmento intermitente no símbolo da bateria (51-C), aconselhamos carregar as baterias, porque a autonomia residual da máquina é de poucos minutos (de acordo com as características da bateria utilizada e do trabalho a efectuar).

Quando o símbolo da bateria (51-C) pisca sem nenhum segmento aceso, a autonomia esgotou-se. Depois de alguns segundos, a escova é automaticamente parada. Continua em funcionamento unicamente o sistema de aspiração e o sistema de tracção, para proporcionar a possibilidade de secar eventuais partes de chão molhadas e deslocar a máquina até ao lugar da recarga.

**ADVERTÊNCIA!**

Para não danificar as baterias e reduzir a vida útil, não persistir na utilização da máquina com as baterias descarregadas.

ESVAZIAMENTO DO RESERVATÓRIO

Um sistema de fecho automático com bóia (31) bloqueia o sistema de aspiração quando o reservatório da água de recuperação (33) está cheio.

É possível notar o bloqueio do sistema de aspiração ao sentir um aumento súbito do ruído do motor do sistema de aspiração. Além disso, o chão não é seco.



ADVERTÊNCIA!

Caso o sistema de aspiração se desligue por razões acidentais (por exemplo, devido à intervenção prematura do bóia durante a deslocação brusca da máquina), para restabelecer o funcionamento, desligue-o pressionando o botão (48) e, em seguida, abra a tampa (34) e certifique-se de que a bóia no interior da grelha (31) desceu; por último, feche a tampa (34) e volte a ligar o sistema de aspiração pressionando o botão (48).

Quando o reservatório da água de recuperação (33) estiver cheio, efectue ao respectivo esvaziamento operando como indicado de seguida.

Esvaziamento do reservatório de água de recuperação

1. Levante a cabeça do porta-escova, premindo o botão (43).
2. Levante o limpador (29) com o pedal (8).
3. Leve a máquina para a zona de despejo específica.
4. Desligue a máquina com o botão (42) e retire a chave do operador (41).
5. Esvazie o reservatório da água de recuperação (33) com o tubo de esvaziamento (12). No fim da utilização, lave o reservatório com água limpa.

Esvaziamento do reservatório da água de lavagem

6. Execute os pontos 1 a 4.
7. Esvazie o reservatório da água de lavagem (21) utilizando o tubo de nível (13). No fim da utilização, lave o reservatório com água limpa.

APÓS A UTILIZAÇÃO DA MÁQUINA

No fim do serviço, antes de abandonar a máquina:

1. Remova a escova, procedendo como previsto no respectivo parágrafo.
2. Retire a chave do operador (41).
3. Esvazie os reservatórios (21) e (33), procedendo como indicado nos parágrafos específicos.
4. Efectue as manutenções previstas após a utilização da máquina (veja o capítulo Manutenção).
5. Conserve a máquina num local seco e limpo, com a escova e o limpador desmontados ou levantados.

INACTIVIDADE PROLONGADA DA MÁQUINA

Caso preveja não utilizar a máquina por mais de 30 dias, é oportuno executar as seguintes operações:

1. Execute as operações indicadas no parágrafo "Após a utilização da máquina".
2. Esvazie o bidão de detergente (25) do sistema EcoFlex™ e limpe o equipamento com o ciclo de purga (veja o procedimento no capítulo Manutenção).
3. Feche a torneira da água de lavagem (18-B).
4. Desligue o conector (9) das baterias.

MANUTENÇÃO

A duração da vida útil da máquina e sua máxima segurança de funcionamento são garantidas através de uma manutenção cuidadosa e regular.

Encontra-se indicado a seguir o plano de manutenção programada. As periodicidades indicadas podem sofrer variações em função de condições especiais de trabalho, a serem definidas por parte do responsável da manutenção.



ATENÇÃO!

As operações devem ser efectuadas com a máquina desligada e com bateria desconectada.

Além disso, antes de efectuar as manutenções, leia cuidadosamente todas as instruções do capítulo Segurança.

Todas as operações de manutenção programadas ou extraordinárias devem ser efectuadas por pessoal qualificado ou por um centro de assistência autorizado.



ADVERTÊNCIA!



Sempre que for visualizado o ícone Service no visor (51), entre em contacto com o Centro de Assistência autorizado da Advance, para ser efectuada a manutenção programada.

Neste Manual, após o diagrama de manutenção programada, estão indicados unicamente os procedimentos de manutenção mais simples e recorrentes.

Para o procedimento de outras operações de manutenção indicadas no diagrama de manutenção programada e as operações de manutenção extraordinária, consulte o respectivo Manual de assistência que possuem os vários Centros de assistência.

PLANO DE MANUTENÇÃO PROGRAMADA

Procedimento	Diário, após a utilização da máquina	Semanal	Semestral	Anual
Carregamento das baterias				
Limpeza do limpador				
Limpeza da escova/filtros				
Limpeza dos reservatórios, do filtro de vaso do reservatório da água de recuperação e controlo da junta da tampa				
Limpeza e purga do sistema EcoFlex™				
Verificação das borrachas do limpador				
Limpeza do filtro da água de lavagem				
Controlo do nível do líquido das baterias (WET)				
Substituição das borrachas do limpador				
Controlo ou substituição dos carvões do motor da escova				(1)
Controlo ou substituição dos carvões do motor do sistema de tracção				(1)
Substituição dos amortecedores da cabeça da escova (só para a versão REV™)				(1)

(1) Manutenção de competência de um Centro de assistência autorizado Advance.

CARREGAMENTO DAS BATERIAS

**NOTA**

Carregue as baterias quando no símbolo de bateria (51-C) estiver aceso unicamente um segmento intermitente ou a cada fim de trabalho.

Manter as baterias carregadas aumenta a duração da vida útil das mesmas.

**ADVERTÊNCIA!**

Quando as baterias estão descarregadas, carregue logo que possível, dado que este estado provoca uma redução da vida das mesmas.

Controle a carga das baterias pelo menos uma vez por semana.

**ATENÇÃO!**

Se a máquina estiver equipada com baterias de chumbo (WET), durante o carregamento é produzido gás hidrogénio altamente explosivo. Carregue somente em áreas bem ventiladas e longe de chamas livres. Não fume durante o carregamento das baterias.

Deixe levantado o reservatório da água de recuperação até que o ciclo de carregamento das baterias esteja concluído.

**ATENÇÃO!**

Durante o carregamento das baterias de chumbo (WET), ter muito atenção a eventuais fugas do líquido das baterias. Este líquido é corrosivo. Se entrar em contacto com a pele ou os olhos, lave com muita água e consulte um médico.

1. Coloque a máquina na área designada para o carregamento das baterias.
2. Certifique-se de que a máquina se encontra desligada com a chave do operador (41) extraída.
3. Levante a tampa (34) e verifique se o reservatório da água de recuperação (33) está vazio. Caso contrário, esvazie-o através do tubo de descarga (12).
4. Feche a tampa (19).
5. Segure a pega (16) e levante o reservatório com cuidado (33).
6. (Unicamente para as baterias WET) Monitorize o nível do electrólito das baterias. Se for necessário, desaparafuse as tampas e ateste.
Após o restabelecimento do nível, fechar as tampas e limpar a superfície superior das baterias.
7. Ligue a tomada do carregador de bateria (6) à rede eléctrica [a tensão e a frequência de rede devem ser iguais aos valores correspondentes do carregador de bateria, indicados na placa do número de série da máquina].

**NOTA**

Quando o carregador de baterias está ligado à rede eléctrica, todas as funções da máquina são desactivadas automaticamente.

Quando o primeiro ou o segundo segmento no símbolo de bateria (51-L) pisca (da esquerda para a direita), tal indica que o carregador de baterias está a carregá-las.

Quando o terceiro segmento no símbolo de bateria (51-L) pisca (da esquerda para a direita), tal indica que o carregador de baterias está a concluir o carregamento das mesmas.

8. Quando todos os segmentos no símbolo da bateria (51-L) se acendem com luz fixa, o ciclo de carregamento das baterias está concluído.
9. Desligue a ficha do carregador de bateria (6) da rede eléctrica e introduza-o no alojamento (7) correspondente.
10. Com cautela, abaixe o reservatório da água de recuperação (33).
11. A máquina está pronta a utilizar.

**NOTA**

Para mais informações sobre o funcionamento do carregador de bateria (5), consulte o Manual específico.

CHAVE DE SERVIÇO (AMARELA)

Com a chave de serviço (amarela), é possível controlar as informações adicionais nalguns parâmetros de funcionamento da máquina e modificar algumas configurações para adequá-las às necessidades específicas.

Ecrã principal (E, Fig. 8)

1. Introduza a chave de serviço (amarela) no local da chave do operador (cinzenta) para aceder ao ecrã principal no visor multifunções (51).
2. Prima o botão (A) para proceder à modificação das configurações da máquina (veja a alínea Ecrã de configurações da máquina).
3. Prima o botão (B) para monitorizar eventuais alarmes memorizados da máquina (veja a alínea Ecrã de memória de alarmes).
4. Prima o botão (C) para monitorizar as horas de trabalho da máquina (veja a alínea Ecrã do conta-horas).
5. Prima o botão (D) para sair do modo de assistência e regressar ao modo do operador.

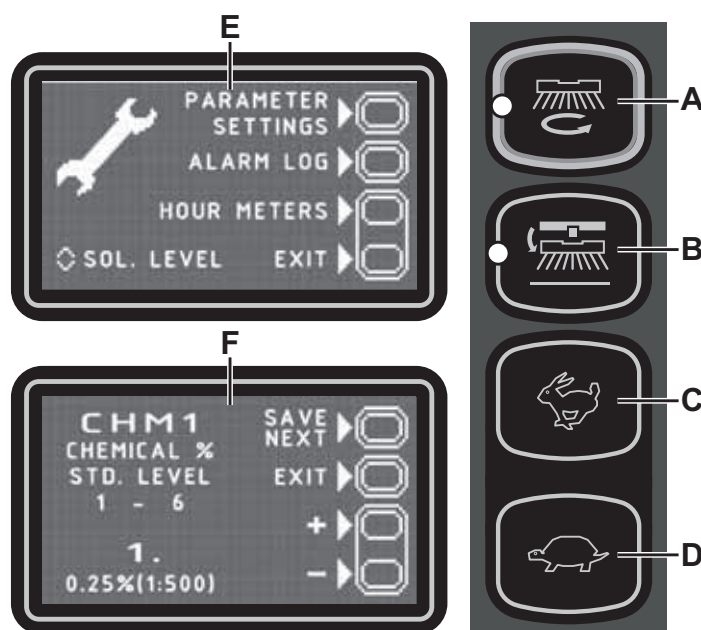


Figura 8

P100847

Ecrã de configurações da máquina (F, Fig. 8).

Através desta funcionalidade, é possível personalizar o valor dos parâmetros descritos na tabela.

1. Para aumentar o valor do parâmetro corrente, prima o botão (C).
Para diminuir o valor do parâmetro corrente, prima o botão (D).
2. Para passar ao parâmetro seguinte, prima o botão (A).
3. Para regressar ao visor principal, prima o botão (B)

TABELA DE PARÂMETROS MODIFICÁVEIS		Valores			
Cód.	Descrição	Mínimo	Definições de fabrico	Máximo	
CHM1	Percentagem de concentração do detergente no nível 1	1:500 (0,25 %)	1:500 (0,25 %)	1:33 (3 %)	
CHM2	Percentagem de concentração do detergente no nível 2	1:500 (0,25 %)	1:125 (0,80 %)	1:33 (3 %)	
P1/P3	Caudal de solução no nível 1 em relação ao nível 3 (caudal em função da velocidade)	0 %	25 %	100 %	
P2/P3	Caudal de solução no nível 2 em relação ao nível 3 (caudal em função da velocidade)	0 %	50 %	100 %	
P3	Caudal de solução no nível 3 (caudal em função da velocidade)	DISC	1,0 cl/m	3,0 cl/m	5,0 cl/m
		REV™	1,0 cl/m	1,5 cl/m	5,0 cl/m
P4	Habilitação do nível 4 (2,8 l/min sem ter em consideração a velocidade)	DESLIGADO	DESLIGADO	LIGADO	
SPT	Temporizador da função EcoFlex™	0 (desabilitado)	60 seg	300 seg	
XPRES	Habilitação da pressão adicional na cabeça	DESLIGADO	LIGADO	LIGADO	
FVMIN	Velocidade de marcha em frente mínima	0 %	25 %	100 %	
FVMAX	Velocidade de marcha em frente máxima	10 %	100 %	100 %	
RVMAX	Velocidade de marcha-atrás máxima	10 %	30 %	50 %	
BAT (**)	Tipo de bateria instalada (veja a tabela)	0	1	5	
TOFF	Tempo de desligamento automático	0 (desabilitado)	300 seg	600 seg	
BRGH	Contraste do visor	5	20	50	
VRID	Nível da potência de aspiração no modo silencioso	1	1	5	
RPM (*)	Limiar de activação das rotações reduzidas da escova	5	9	20	
RESET	Todos os parâmetros são repostos nos valores de configuração de fábrica	DESLIGADO	DESLIGADO	LIGADO	

(*) Aumente o valor deste parâmetro para reduzir as rotações do motor da escova num intervalo mais amplo de aplicações e vice-versa.

(**) Conforme o descrito no capítulo Utilização, em função do tipo de baterias que se pretende instalar, configure a máquina e o carregador de baterias incorporado, modificando o parâmetro BAT conforme a tabela que se segue:

Tipo de bateria instalado		Valor
WET	Baterias com ácido líquido	0
GEL / AGM	Baterias de GEL ou AGM genéricas	1
GEL EXIDE	Baterias de GEL ou da marca EXIDE®/SONNENSHINE	2
GEL OPTIMA	Baterias de GEL ou da marca OPTIMA™	3
GEL DISCOVER	Baterias de GEL ou da marca DISCOVER®	4
GEL FULLRIVER	Baterias de GEL ou da marca FULLRIVER®	5

Ecrã de alarmes memorizados (G, Fig. 9)

Através desta funcionalidade, é possível verificar eventuais alarmes memorizados pela máquina.

Utilize esta funcionalidade unicamente com o apoio técnico do Centro de assistência Advance para resolver eventuais problemas de funcionamento.

Para regressar ao ecrã principal (E, Fig. 8), prima repetidamente o botão (A).



Figura 9

P100848

Ecrã do conta-horas (H, Fig. 10)

Através desta funcionalidade, é possível verificar as horas de trabalho acumuladas para cada subsistema da máquina:

- Conta-horas TOTAL (tempo durante o qual a máquina esteve ligada)
- Conta-horas de TRACÇÃO (tempo de utilização do sistema de tracção)
- Conta-horas da ESCOVA (tempo de utilização do sistema de rotação da escova)
- Conta-horas do ASPIRADOR (tempo de utilização do sistema de aspiração)

Para regressar ao ecrã principal (E, Fig. 8), prima o botão (A).

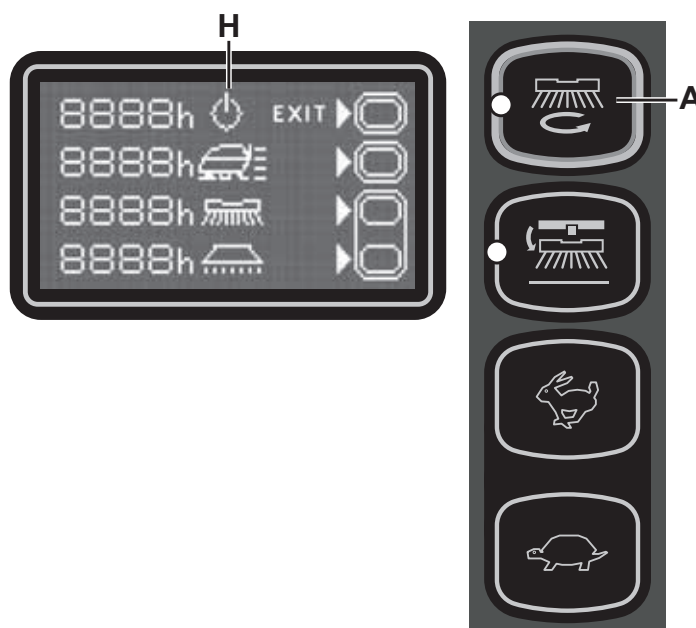


Figura 10

P100849

LIMPEZA DO LIMPADOR**NOTA**

Para obter uma boa secagem, o limpador deve estar limpo e com as borrachas em boas condições.

**ADVERTÊNCIA!**

Durante a limpeza do limpador, aconselha-se o uso de luvas de trabalho devido à possível presença de detritos cortantes.

1. Coloque a máquina num pavimento plano.
2. Certifique-se de que a máquina se encontra desligada com a chave do operador (41) extraída.
3. Solte os volantes (14) e remova o limpador (29).
4. Lave e limpe o limpador. Em particular, limpe as sujidades e os detritos dos compartimentos (A, Fig. 11) e do orifício (B). Verifique se a borracha dianteira (C) e a borracha traseira (D) estão em bom estado e não apresentam cortes ou golpes, caso contrário, deve substituí-las como descrito na alínea seguinte.
5. Monte o limpador na ordem inversa em relação à desmontagem.

CONTROLO E SUBSTITUIÇÃO DAS BORRACHAS DO LIMPADOR

1. Limpe o limpador, operando como indicado no parágrafo anterior.
2. Verifique se a borracha dianteira (C, Fig. 11) e a borracha traseira (D) estão em bom estado e não apresentam cortes ou golpes, caso contrário, deve substituí-las como descrito a seguir. Verifique também se a borracha traseira não tem a aresta dianteira (E) gasta; caso contrário, vire a própria borracha, de modo a trocar uma aresta pela outra, se esta ainda estiver em bom estado. Se também as outras arestas estiverem gastas, substitua a borracha, do seguinte modo:
 - Utilizando a lingueta (F), desacople e remova a fita elástica (G) das retenções (H) e, de seguida, substitua/vire a borracha posterior (D).
 - Monte a borracha na ordem inversa em relação à desmontagem.
 - Desaparafuse os volantes (I) e remova a fita (J) e, em seguida, substitua/vire a borracha dianteira (C).
 - Monte a borracha na ordem inversa em relação à desmontagem.
3. Monte o limpador (27) e aperte os volantes (14).
4. Abaixe o limpador até ao piso para monitorizar a altura das borrachas, procedendo conforme descrito em seguida:
 - Verifique se a aba (K) da borracha anterior (C) e a aba (L) da borracha posterior (D) se encontram apoiadas, conforme representado na figura.
 - Para o registo, utilize o manípulo (15).

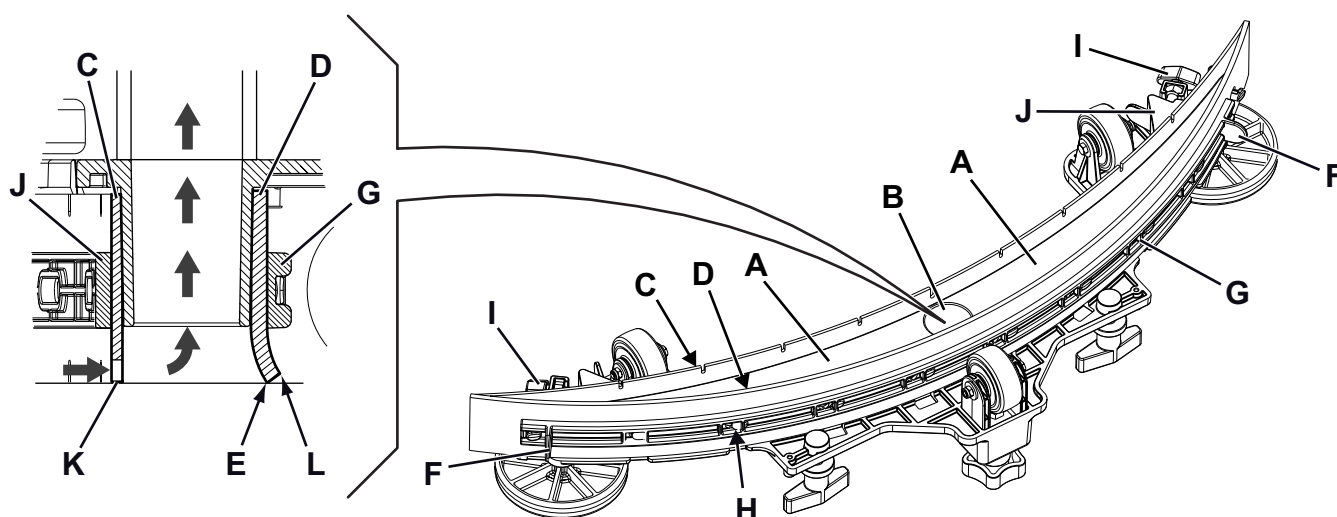


Figura 11

P100850

LIMPEZA DA ESCOVA DE DISCO**ADVERTÊNCIA!**

Durante a limpeza da escova, aconselha-se o uso de luvas de trabalho devido à possível presença de detritos cortantes.

1. Retire a escova da máquina como previsto no capítulo Utilização.
2. Limpe e lave a escova com água e detergente.
3. Verifique se as cerdas estão em bom estado e não excessivamente gastas, caso contrário, substitua a escova.

LIMPEZA DO RESERVATÓRIO DA ÁGUA DE RECUPERAÇÃO

1. Leve a máquina para a zona de despejo específica.
2. Certifique-se de que a máquina se encontra desligada com a chave do operador (41) extraída.
3. Levante a tampa (34).
4. Descarregue a água do reservatório com o tubo de descarga (12).
5. Limpe a grelha de aspiração (31), desengate as retenções (A, Fig. 12), abra a grelha (B) e recupere a bóia (C) e limpe com cuidado e volte a instalar.
6. Desmonte o recipiente para recolha de detritos (D) e abra a sua tampa. De seguida, limpe com cuidado e volte a instalar no tubo de aspiração.
7. Monitorize a integridade da junta (E) da tampa do reservatório.

**NOTA**

A junta (E) permite a formação de depressão no reservatório, necessária para a aspiração da água de recuperação.

Substitua, se for necessário, a junta (E) após tê-la tirado da própria sede (F). Durante a montagem da nova junta, coloque a junta (G) na zona indicada na figura.

8. Verifique também se toda a superfície no perímetro (H) de apoio da junta (E) está em bom estado, limpa e adequada para a vedação da própria junta.
9. Feche a tampa (19).

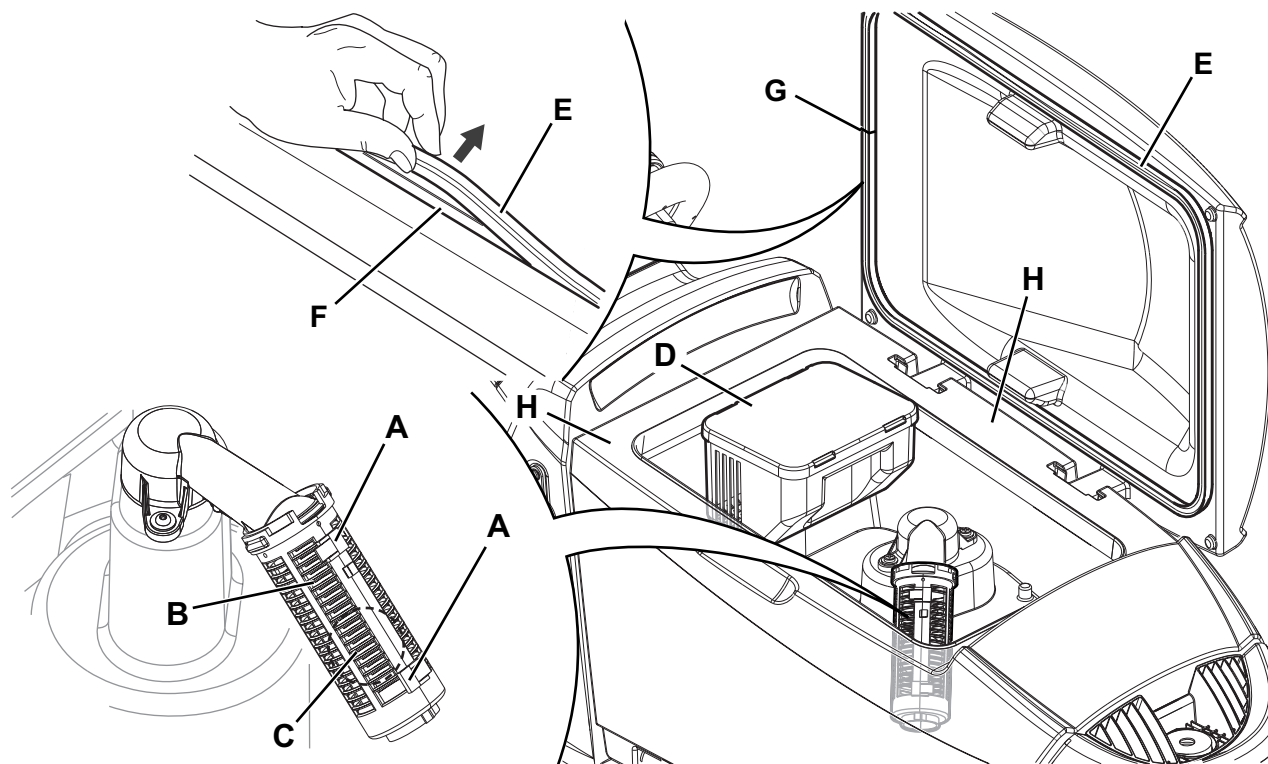


Figura 12

P100851

LIMPEZA DO FILTRO DA ÁGUA DE LAVAGEM

1. Coloque a máquina num pavimento plano.
2. Certifique-se de que a máquina se encontra desligada com a chave do operador (41) extraída.
3. Feche a torneira da água de lavagem (A, Fig. 13). A torneira está fechada quando estiver na posição (B); está aberta quando estiver na posição (C).
4. Remova o copo transparente (D), recupere a junta (E) e, em seguida, remova a rede filtrante (F). Lave-os e volte a passá-los por água. De seguida, volte a montá-los com cuidado sobre o suporte do filtro (G).
5. Abra a torneira (A).

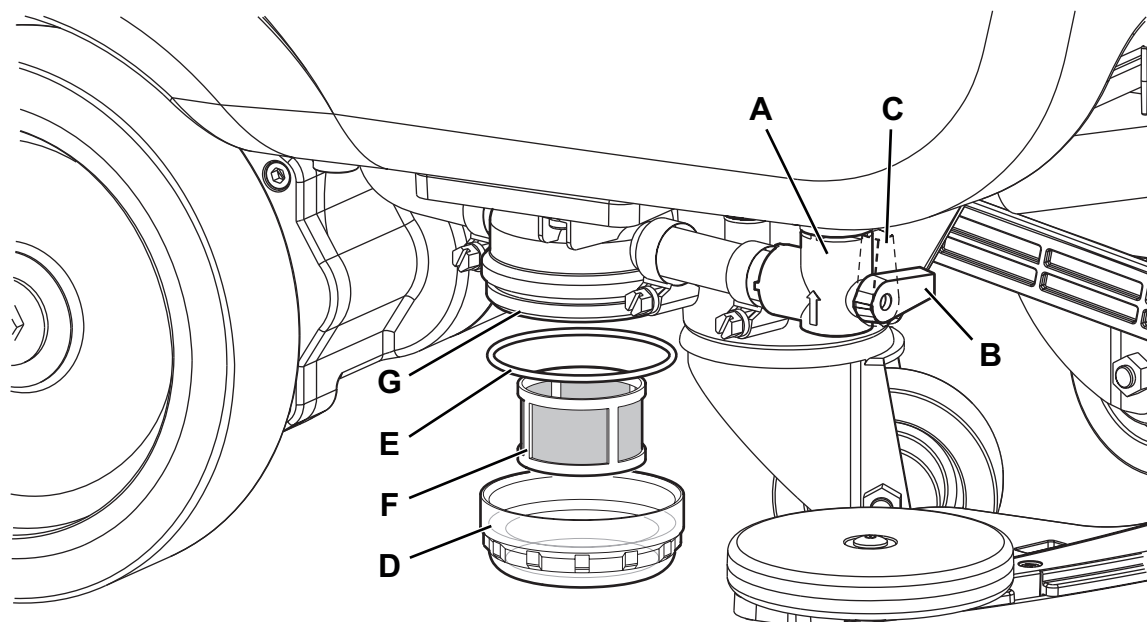


Figura 13

P100852

REGULAÇÃO DO AVANÇO RECTILÍNEO DA MÁQUINA

O avanço rectilíneo pode variar em função do tipo de piso a limpar e a escolha de utilizar a escova ou o feltro.

Se a máquina tiver tendência a desviar-se da direcção rectilínea de avanço com a cabeça abaixada e durante a tarefa de limpeza, é possível regular o manípulo (35) no sentido dos ponteiros do relógio ou no sentido contrário para corrigir esse desvio e obter um funcionamento quase neutro.

LIMPEZA DO BIDÃO DO DETERGENTE ECOFLEX™

Limpe o bidão do detergente (25) do seguinte modo:

1. Leve a máquina para a zona de despejo específica.
2. Certifique-se de que a máquina se encontra desligada com a chave do operador (41) extraída.
3. Levante a tampa (34) e verifique se o reservatório da água de recuperação (33) está vazio. Caso contrário, esvazie-o através do tubo de descarga (12).
4. Feche a tampa (19).
5. Segure a pega (16) levante o reservatório com cuidado (33).
6. Desenrosque a tampa (A, Fig. 14) do bidão do detergente (B).
7. Remova o bidão.
8. Passe por água e lave o bidão com água limpa na zona de eliminação designada.
9. Volte a colocar o bidão do detergente (B) no seu compartimento, conforme representado na figura e volte a montar a tampa (A).
10. Depois do esvaziamento do bidão do detergente, pode ser necessário limpar o sistema EcoFlex™ (consulte o procedimento no parágrafo seguinte).

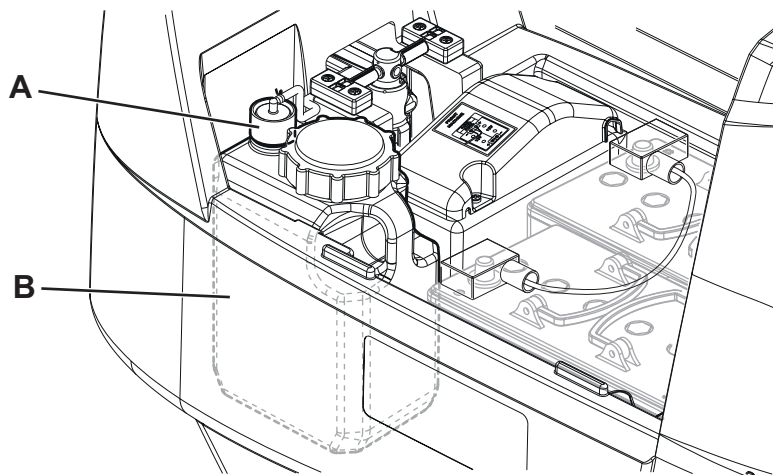


Figura 14

P100853

PURGA DO SISTEMA ECOFLEX™

Limpe o bidão do detergente como indicado no parágrafo anterior.

Para remover o detergente residual presente nas canalizações e na bomba do detergente, proceda da seguinte forma.

1. Introduza a chave do operador (41) na sua sede do painel de comando (3) para ligar a máquina ou, se a chave já se encontrar na sede, prima o botão (42).
2. Premir o botão (43). Monitorize se no ecrã o indicador de quantidade de detergente (51-G) acendeu pelo menos um segmento.
3. Prima em simultâneo os botões (49) e (50) até que no ecrã deixe de ser apresentado o indicador (51-M) (após cerca de 5 segundos).
4. Liberte os botões (49) e (50) e aguarde que a contagem decrescente no ecrã termine e que o equipamento de aspiração seja accionado.
5. Aspire o detergente residual presente no chão.
6. Extraia a chave do operador (41).
7. Levante o reservatório (33) e verifique se o tubo do bidão do detergente (25) está vazio, caso contrário, repita os pontos 3 a 7.



NOTA

O ciclo de limpeza demora acerca de 30 segundos, depois dos quais será activada automaticamente a função de aspiração que permite excluir os resíduos de detergente.

A operação de limpeza pode ser executada também com o bidão do detergente (25) cheio de água, obtendo assim uma lavagem profunda do sistema.

É aconselhável executar este tipo de limpeza quando o sistema EcoFlex™ estiver muito sujo/incrustado depois de longa inactividade/ausência de limpeza da máquina.

A operação de limpeza pode ser executada também para acelerar o enchimento do tubo do detergente quando o bidão (25) está cheio e o sistema ainda está vazio.

A operação de limpeza, em caso de necessidade, pode ser executada várias vezes sucessivamente.

CONTROLO/SUBSTITUIÇÃO DOS FUSÍVEIS



NOTA

Todos os circuitos eléctricos da máquina estão protegidos por dispositivos electrónicos de reposição automática. Os fusíveis de segurança actuam apenas em caso de avaria grave. Recomenda-se portanto que a eventual substituição dos fusíveis seja exclusivamente realizada por pessoal qualificado. Consulte o Manual de assistência disponível nos revendedores Advance.

RESOLUÇÃO DE PROBLEMAS

PROBLEMA	CAUSA PROVÁVEL	SOLUÇÃO
Os motores não funcionam; o ecrã (51) e nenhum led dos botões se acende.	Conector das baterias desligado.	Ligue.
	Baterias completamente descarregadas.	Carregue as baterias.
A máquina não se move e o ecrã (51) apresenta a mensagem de alarme: WARNING ALARM T3	Foi ligada a máquina com o painel premido.	Soltar o painel. Se o problema persistir, contacte um Centro de assistência autorizado.
Ao ligar a máquina, o led do botão (43) pisca e a escova não funciona.	Desligamento da máquina sem ter primeiro levantado a cabeça do porta-escovas.	Espere que a cabeça esteja levantada antes de voltar a accionar a escova premindo o botão.
A escova não funciona; o contorno do símbolo da bateria (51-C) pisca e o visor apresenta a mensagem de alarme: WARNING ALARM G4	Baterias descarregadas.	Carregue as baterias. Se o problema persistir, substitua as baterias.
Durante o trabalho, é apresentada a mensagem de alarme: WARNING ALARM F2	Sobrecarga do motor da escova.	Utilize uma escova menos agressiva ou de tipo diferente, ou não trabalhe com a pressão suplementar activada.
	Presença de corpos estranhos (fios presos, etc.) que podem parar a rotação da escova.	Limpe os cubos da escova.
O ecrã (51) apresenta a mensagem de alarme: WARNING ALARM T2	Sobrecarga do motor de tracção.	Desligar e voltar a ligar a máquina. Evite utilizar a máquina em inclinações superiores à indicada e a passagem da mesma sobre obstáculos excessivamente altos.
Durante o carregamento das baterias com o carregador de baterias integrado, o ecrã (51) apresenta a mensagem de alarme: WARNING ALARM C4 ou C5	O carregador de baterias não consegue carregar correctamente as baterias nos tempos máximos previstos.	Efectue novamente o ciclo de carregamento das baterias. Se o problema persistir, substitua as baterias.
O ecrã (51) apresenta uma mensagem de alarme do tipo: WARNING ALARM XX Em que "XX" é substituído por um código diferente dos anteriormente enumerados.	Condição de alarme do sistema electrónico de controlo da máquina.	Desligar e voltar a ligar a máquina. Se o problema persistir, contacte um Centro de assistência autorizado.
A aspiração da água suja é insuficiente.	Reservatório de água de recuperação cheio.	Esvazie o reservatório.
	Grelha de aspiração entupida ou bóia presa no fecho.	Limpe a grelha de aspiração.
	O contentor do filtro do depósito de recolha de resíduos está entupido.	Limpe.
	Tubo flexível desligado do limpador.	Ligue-o.
	Limpador sujo ou borrachas do limpador desgastadas ou danificadas.	Limpe o limpador ou substitua as borrachas.
	A tampa do reservatório não foi fechada correctamente ou a junta está estragada.	Feche correctamente a tampa ou limpe/ substitua a guarnição.
O fluxo de solução detergente para a escova é insuficiente.	Reservatório da água de lavagem vazio.	Encha-o.
	Filtro da água de lavagem sujo.	Limpe o filtro.
	Bidão do sistema EcoFlex™ sujo/incrustado.	Limpe com ciclo de purga.
O limpador risca o pavimento.	Presença de detritos por baixo das borrachas do limpador.	Remova os detritos.
	Borrachas do limpador gastas, fissuradas ou com lacerações.	Vire ou substitua as borrachas.
	O limpador não foi equilibrado com o volante.	Regule o limpador.



NOTA

A máquina não pode funcionar sem o carregador de bateria. Em caso de defeito no carregador de baterias, contacte um Centro de assistência autorizado.

Para mais informações, contacte os Centros de assistência Advance.

FIM DE VIDA

Proceda ao depósito da máquina junto de um demolidor autorizado.

Antes de proceder ao depósito da máquina, é necessário remover e separar os seguintes materiais e enviá-los para o sistema de recolha separada em conformidade com a norma ambiental em vigor:

- Baterias
- Escovas
- Tubos e peças em material plástico
- Partes eléctricas e electrónicas (*)

(*) Em particular, para o depósito das partes eléctricas e electrónicas, dirija-se a um centro local da Advance.

Composição dos materiais da máquina e nível de reciclagem

Tipo	% reciclável	% de peso da SC500
Alumínio	100 %	7 %
Motores eléctricos - div.	29 %	29 %
Materiais ferrosos	100 %	2 %
Cablagens	80 %	2 %
Líquidos	100 %	0 %
Plástico - não reciclável	0 %	2 %
Plástico - reciclável	100 %	7 %
Polietileno	92 %	48 %
Borracha	20 %	2 %



Advance

14600 21st Avenue North
Plymouth, MN 55447-3408
www.advance-us.com
Phone: 800-989-2235
Fax: 800-989-6566
©2012 Nilfisk-Advance, Inc.