

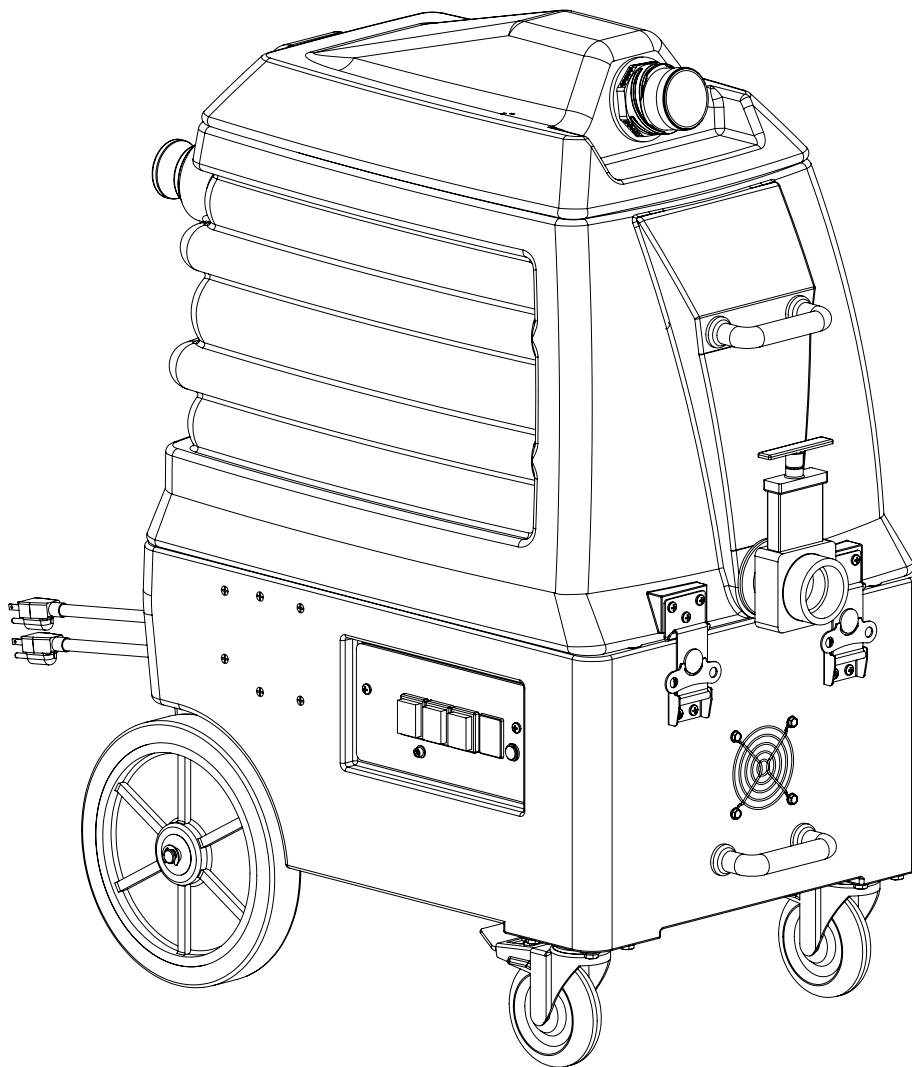
Instructions for 7000S Flood Hog™



Please read before use.



Register your product
at: [http://www.mytee.com/
support/register](http://www.mytee.com/support/register)



[General information p. 2](#)

[Set up p. 4](#)

[Parts & Pricing p. 9](#)

[Wiring diagram p. 11](#)

[Notes p.12](#)

Model # _____

Serial # _____

Form # ADM-7000S

11-15

GENERAL INFORMATION

Dear Customer:

Congratulations on the purchase of your new 7000S Flood Hog™. As you are already aware, the scene of the equipment world is becoming more high tech, and we at Mytee Products Inc. strive to keep you on the cutting edge with superior quality and technology.

Keep in mind that the 7000S Flood Hog™ is a machine, so neglect or abuse will cause unnecessary damage and void the warranty. However with simple maintenance the Flood Hog™ will give quality performance for many years to come.

If warranty questions arise, please consult your user manual or get in touch with your distributor. If you have questions about maintenance, replacing parts or ordering parts, please call an authorized Mytee Products Inc. Service Center. To see an updated list, visit our website at www.mytee.com

Before you begin cleaning, please read your manual thoroughly.

Sincerely,
Mytee Customer Care Dept.

Grounding Instructions

This machine must be grounded. If it should malfunction or break down, grounding provides a path of least resistance for electrical shock. This machine is equipped with a cord having an equipment-grounding conductor and grounding plug. The plug must be plugged into an appropriate outlet that is properly installed in accordance with all local code and ordinances. Do not remove ground pin; if missing, replace plug before use.



DANGER

Improper connection of the equipment-grounding conductor can result in a risk of electric shock. Check with a qualified electrician or service person if you are in doubt as to whether the outlet is properly grounded. Do not modify the plug provided with the machine. If it will not fit the outlet, have a proper outlet installed by a qualified electrician.

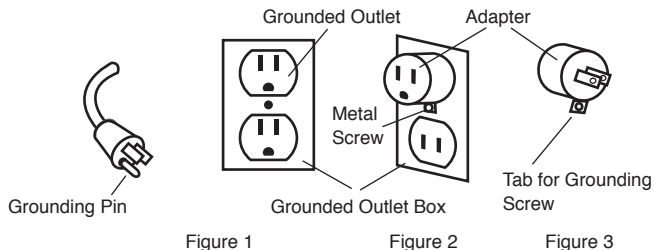
This appliance is for use on a nominal 120-volt circuit, and has a grounding plug that looks like the plug illustrated in Figure 1 below. A temporary adapter illustrated in Figures 2 and 3 may be used to connect this plug to a 2-pole receptacle as shown in Figure 2 if a properly grounded outlet is not available. The temporary adapter should be used only until a properly grounded outlet (Figure 1) can be installed by a qualified electrician. The green colored rigid ear, tab or the like extending from the adapter must be connected to a permanent ground such as a properly grounded outlet box cover. Whenever the adapter is used, it must be held in place by a metal screw. Grounding adapters are not approved for use in Canada.

Replace the plug if the grounding pin is damaged or broken.

The green (or green-yellow) wire in the cord is the grounding wire. When replacing a plug, this wire must be attached to the grounding pin only.

DO NOT use extension cords.

Please Note for America use only



Parts and Service

Repairs, when required, should be performed by Mytee service personnel or Mytee authorized Service Center using Mytee original replacement parts and accessories. Call Mytee for repair parts or service. Please specify the Model and Serial Number when discussing your machine.

Name Plate

The Model and Serial Number of your machine are shown on the Nameplate on the back panel of the machine. This information is needed when ordering repair parts for the machine. Use the space provided on the front cover to note the Model and Serial Number of your machine for future reference.

Unpacking the Machine

When the machine is delivered, carefully inspect the shipping carton and the machine for damage. If damage is evident, save the shipping carton so that it can be inspected by the carrier that delivered it. Contact the carrier immediately to file a freight damage claim.

Caution and Warnings

Symbols

Mytee uses the symbols below to signal potentially dangerous conditions. Always read this information carefully and take the necessary steps to protect personnel and property.



DANGER

Is used to warn of immediate hazards that will cause severe personal injury or death.



WARNING

Is used to call attention to a situation that could cause severe personal injury.



CAUTION

Is used to call attention to a situation that could cause minor personal injury or damage to the machine or other property. When using an electrical appliance, basic precautions should always be followed, including the following: Read all instructions before using this machine. This product is intended for commercial use only.



WARNING

To reduce the risk of fire, electrical shock, or injury:

1. Read all instructions before using equipment.
2. Use only as described in this manual. Use only manufacturer's recommended attachments.
3. Always unplug power cord from electrical outlet before attempting any adjustments or repairs.
4. Do not unplug by pulling on cord. To unplug, grasp the plug, not the cord.
5. Do not pull by cord. Do not close a door on cord or pull cord around sharp edges or corners.
6. Do not run appliance over cord. Keep cord away from heated surfaces.
7. Do not use with damaged cord or plug. If cord is damaged, repair immediately.
8. Always unplug or disconnect the appliance from power supply when not in use.
9. Do not allow to be used as a toy. Close attention is necessary when used by or near children.
10. Do not use in areas where flammable or combustible material may be present.
11. Do not leave the unit exposed to harsh weather elements. Temperatures below freezing may damage components and void warranty.
12. Use only the appropriate handles to move and lift unit. Do not use any other parts of this machine for this purpose.
13. Keep hair, loose clothing, fingers, and all parts of the body away from all openings and moving parts.
14. Use extra care when cleaning on stairs.
15. To reduce the risk of fire or electric shock, do not use this machine with a solid-state speed control device.
16. The voltage and frequency indicated on the name plate must correspond to the wall receptacle supply voltage.
17. When cleaning and servicing the machine, local or national regulations may apply to the safe disposal of liquids which may contain: chemicals, grease, oil, acid, alkalines, or other dangerous liquids.
18. Do not leave operating unattended.

Pre-Operation

1. Remove furniture and other items from the area you are going to treat.
2. Make sure debris filter is clear and electrical cord is in good repair.
3. Make sure a 20A grounded wall outlet is available for cord. Do not use extension cord.

Operation

1. In front, attach one end of the first vacuum hose to a wand (using scalloped or squeegee vacuum head), the other end to the Cuff-Lynx™ hose connection on the front of the machine.
2. The debris filter inside the machine protects the vacuum motor from damaging debris. Keep it clean by removing vacuum hose and turning the top latch counter-clockwise and opening the lid. Remove stainless steel basket and gently rinse with water. Dry with a soft cloth. Replace basket, lid and hose.
3. In back, attach the second vacuum hose bearing cam lock to the Auto Pump-out fitting. Secure the hose to the fitting using the cam lock. Push the hose cuff onto the fitting, making sure the silver ears and rings are extended forward. Pull the ears

down using the rings until connection is tight. Place the end of the hose in a location where dirty water can drain.

4. Two power cords are located in the back of the machine. To power Vacuum 1 and Pump, plug in the top cord. To power the Vacuum 2, plug in the bottom cord. Plug each of the two power cords into two separate, 20A grounded wall outlets. Do not use extension cords.

5. Three switches are located on the lower left side of the machine. To use the vacuum 1, turn on the Vacuum 1 switch. To use Vacuum 2, turn on the Vacuum 2 switch. To use the pump, turn on the Pump switch.

6. Place wand over flooded area and begin extracting.

7. If pump must be accessed during extraction, use the recovery tank lid on top of the machine. Pull the lever up and turn counter clockwise until it faces the side of the machine. Pull up and take the lid off. Use reverse procedure to replace.

8. When the job is finished, turn off switches and unplug power cords. Remove hoses.

After Use

1. Unplug.
2. Inspect hoses and replace if damaged.
3. Inspect filter and clean.
4. Open recovery tank to promote air circulation
5. Make sure machine and hoses are completely drained and dry.
6. Store the machine in a clean, dry place.

Maintenance Schedule

Maintenance item	Daily	Once a week
Clean and inspect Tanks	x	
Clean and inspect Hoses	x	
Inspect filters	x	
Check electrical cord	x	
Clean machine with all purpose cleaner and cloth	x	
Inspect vacuum hoses for holes and loose cuffs		x
Lubricate wheels with water-resistant oil		x
Inspect machine for water leaks and loose hardware		x

Trouble Shooting

There is no power.

1. Plug machine in proper outlet.
2. Check circuit breaker; reset circuit breaker, other items should not run on the same circuit as machine. Outlet must be a 20-amp circuit. For 7000S models, two separate 20-amp circuits are required.

Pump does not work properly.

1. Check pump wire. May need to reconnect wire.
2. Switch plate switch may need to be replaced.
3. If pump motor brushes are worn, replace pump.
4. Float switch obstructed. Clean.

Vacuum motor does not work properly.

1. Check that hose is tightly connected.
2. Close drain hose valve completely.
3. Secure the vacuum tank tightly.
4. If water is coming out of vacuum motor, use a low foaming detergent.

FAQs

Q: How much does the 7000S weigh and what are the shipping dimensions?

A. 7000S weighs 124 pounds - Box dimensions are 20" x 30" x 48". Must ship motor freight.

Q: What comes standard with the 7000S?

A: The 7000S comes with two 25' vacuum hoses (H294), a wand (H908), a vacuum head (P570), a squeegee vacuum head (G200) a 2" x 1.5" Cuff Lynx™ (H141), two 2" Cuff-Lynx™ plugs (H121), and pack of filters (G008).

Q: Where do I plug the machine in?

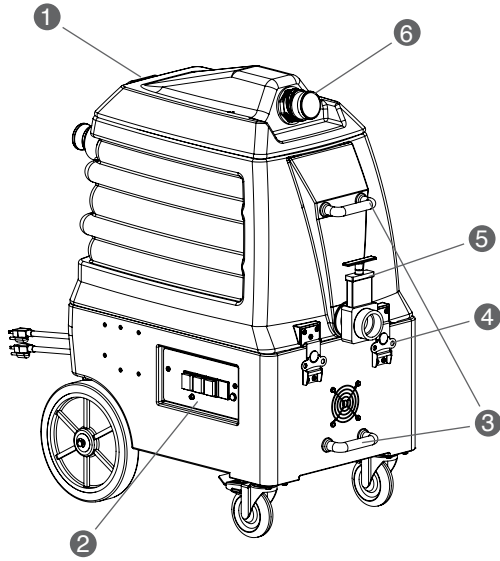
A: Plug each power cord into a separate, 20A grounded wall outlet. **Outlets must be on two separate breakers.** When the amber light on the switch plate illuminates, the machine is on separate circuits (not necessarily 20A circuits). You can identify the primary cord by the yellow tag.

Q: Is there anything I can do to increase the expected life of my machine?

A: Running the vacuum motors with the tank empty and lid off will allow excess moisture in the vacs to dry off.

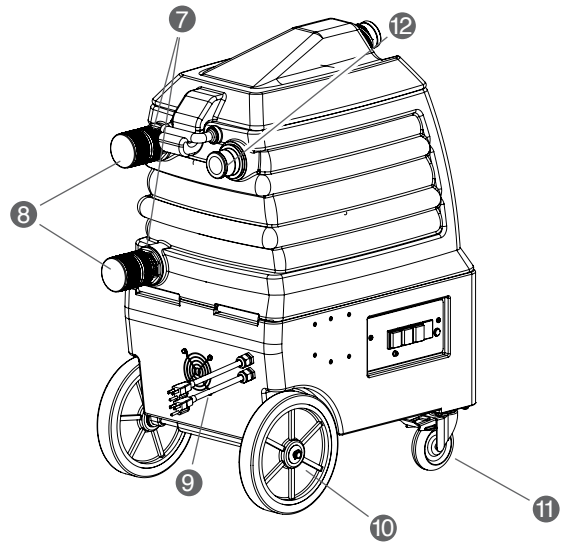
7000S FLOOD HOG™

7000S FRONT



- 1. Recovery Tank Lid
- 2. Operating Controls
- 3. Handles
- 4. EZ Open Service Latches
- 5. Drain Valve
- 6. Vacuum Hose Hook-up

7000S BACK



- 7. 2" Female Cuff-Lynx™ starter
- 8. 2" Male Cuff-Lynx™ plug
- 9. 25' Power Cord
- 10. 10" Stair Climbing Wheels
- 11. 4" Swivel Locking Casters
- 12. Auto Pump-out Hose Connection

7000S ACCESSORIES



H908 - 2 Piece Aluminum Wand Tube



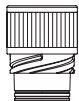
P570 - Scalloped Vacuum Head



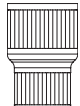
H294 - 1.5" x 25' Vacuum Hose (x2)



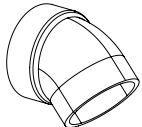
G200 - Squeegee Vacuum Head



H121 - 2" Cuff Lynx™ Plug



H141 - 2" x 1.5" Cuff Lynx™ Reducer



H226 - Drain Elbow



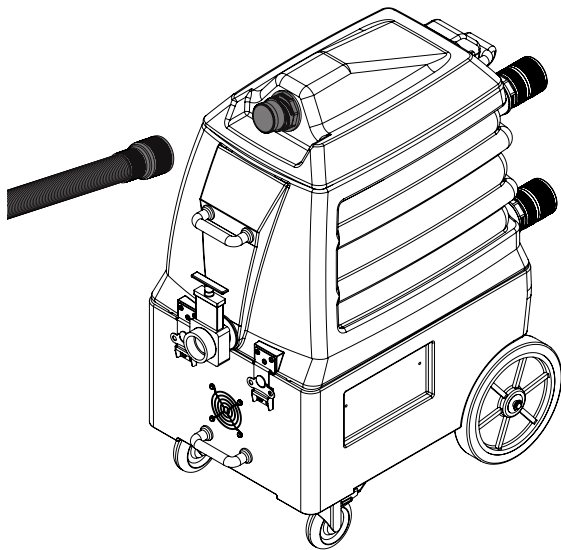
G008 - Pack Of Filters

WAND INTERCHANGEABLE HEADS



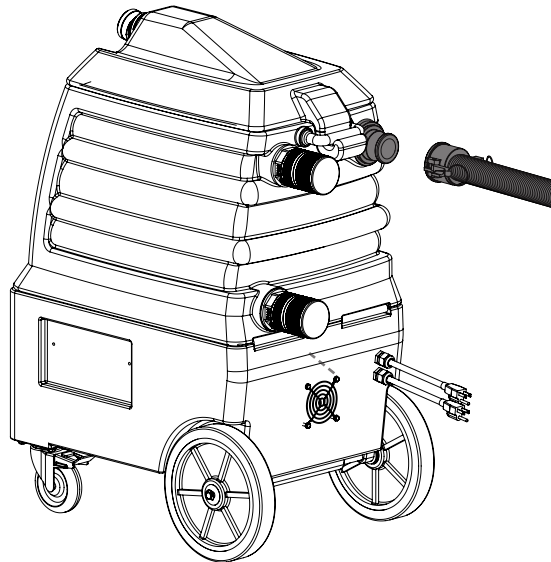
Select either vacuum head and attach to wand. Insert head and tighten collar.

**7000S FRONT VACUUM/DEBRIS FILTER HOSE
HOOK UP**



Attach the hose with the 1.5" Cuff-Lynx™ reducer to the machine. Attach other end of same hose to wand tube.

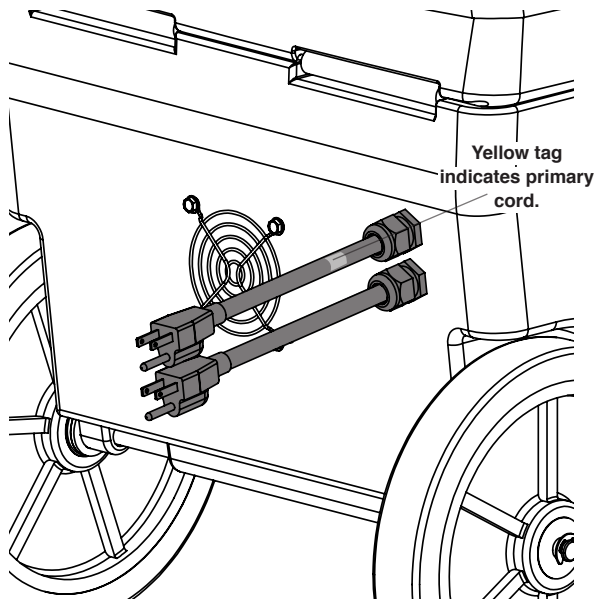
**7000S BACK VACUUM HOSE/AUTO PUMP-OUT
HOOK UP**



Attach the second hose bearing cam lock to the Auto Pump-out fitting. Secure the hose to the fitting using the cam lock. Push the hose cuff onto the fitting, making sure the silver ears and rings are extended forward. Pull the ears down using the rings until connection is tight. Place the end of the hose in a location where dirty water can drain.

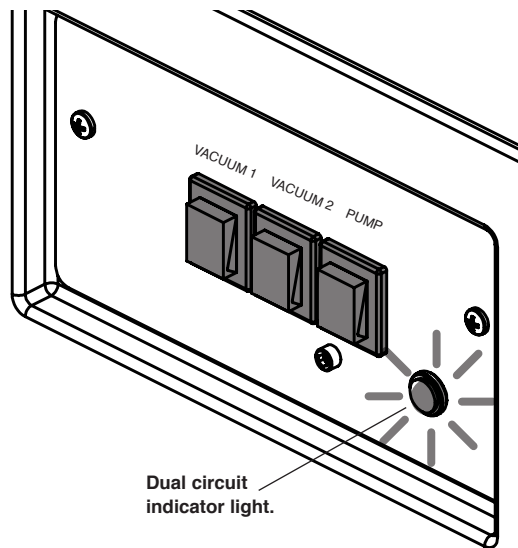
7000S DUAL CORDS

Top cord: Powers Vac 1 & Pump.
Bottom cord: Powers Vac 2.



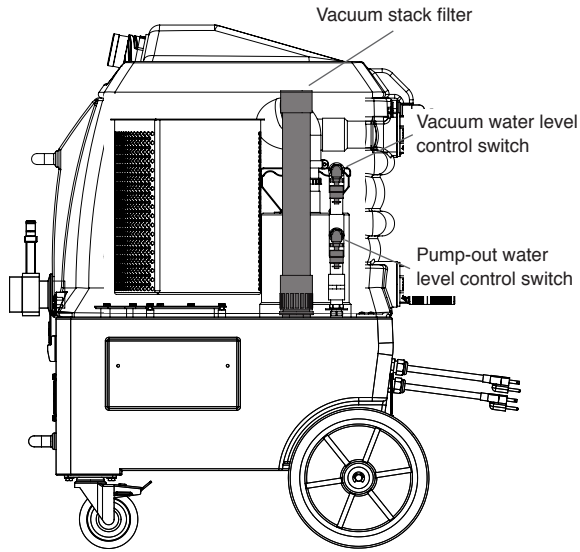
Plug each power cord into a separate, 20A grounded wall outlet. **Outlets must be on two separate breakers.** When the amber light on the switch plate illuminates, the machine is on separate circuits (not necessarily 20A circuits). You can identify the primary cord by the yellow tag.

7000S SWITCHES



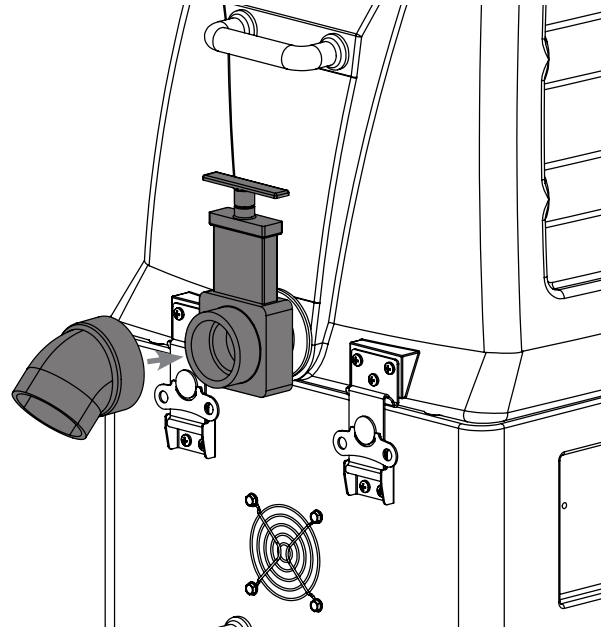
Three switches are located on the lower left side of the machine. To use either vacuum, turn on the Vacuum switch 1 or 2. To use the pump, turn on the Pump switch.

7000S WATER LEVEL CONTROL SWITCHES



As the water level reaches the *pump-out water level control switch*, the pump is activated. Once the water level reaches the *vacuum water level control switch*, the vacuum shuts off preventing the water from going into the vacuum stack, damaging the vacuum motors. At the top of the vacuum stack, there is a filter. Clean it weekly.

7000S DRAIN VALVE AND SPOUT

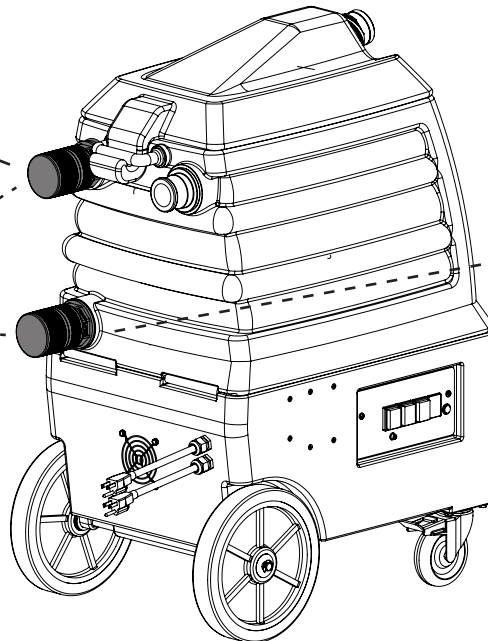


When not using the Auto Pump-out, empty the tank by using the drain valve on the front of the machine with the included drain elbow (part # H226).

REAR PLUGS

Cap top plug to use as a booster and pass-through extractor. [See page 6.](#)

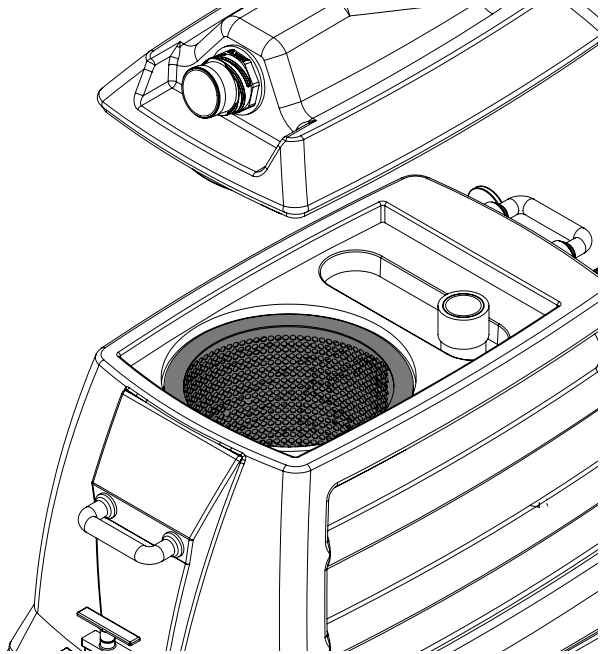
Cap both plugs to use as a flood extractor



Cap bottom plug to use as booster with pump-out [See page 6.](#)

Two vacuum plugs are located in the back. The top and bottom rear plugs, depending on how they are capped, allow the Flood Hog™ to be used as a stand-alone extractor, a flow-through booster connected to another machine, or an in-line pump-out unit. They also seal the Flood Hog™ vacuum tank.

7000S DEBRIS FILTER



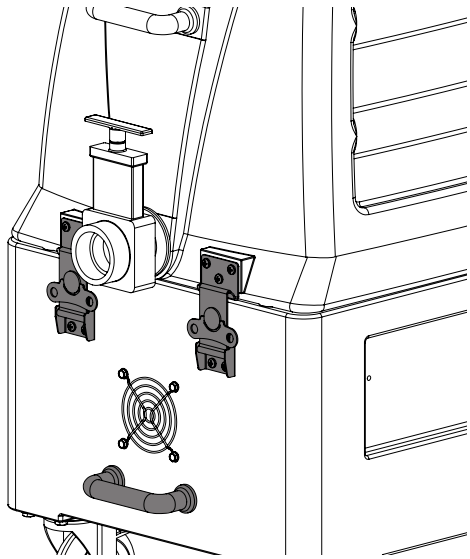
The filter protects the vacuum motor from damaging debris. Keep it clean by removing the vacuum hose and opening the recovery tank lid via the latch on the front of the machine. Remove stainless steel basket and gently rinse with water. Dry with a soft cloth. Replace basket, lid and hose.

7000S LATCHES AND LIFT HANDLE

LATCHES:

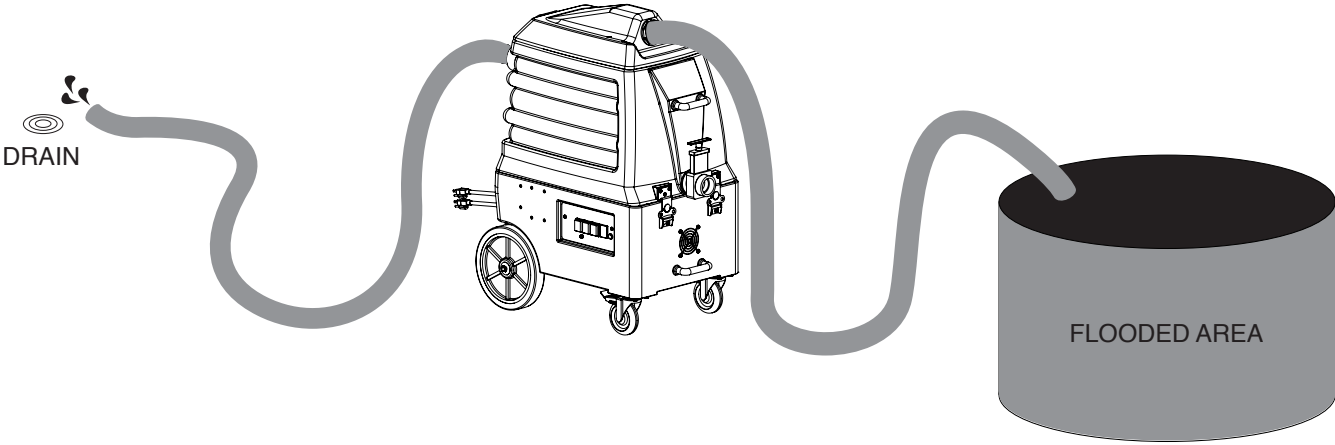
Detach: Flip-up latch.
Twist counter clockwise for release.

Attach: Place latch.
Twist clockwise
Press latch to secure.



LIFT HANDLE: Use lift handle to prevent damage to unit.

7000S FLOOD HOG™ IN USE

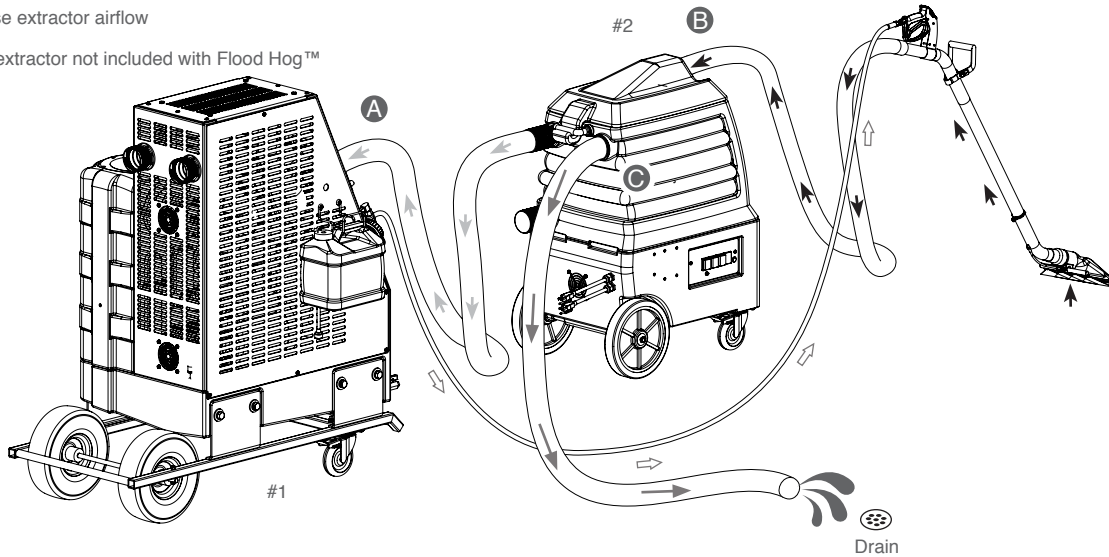


Flood Hog™ pumps up to 35 GPM.

3. USING THE FLOOD HOG™ AS A BOOSTER WITH AUTO PUMP-OUT

- ⇨ Solution flow
- ➔ Dirty water recovery
- ➔ Pump-out system
- ➔ Base extractor airflow

* Wand & extractor not included with Flood Hog™

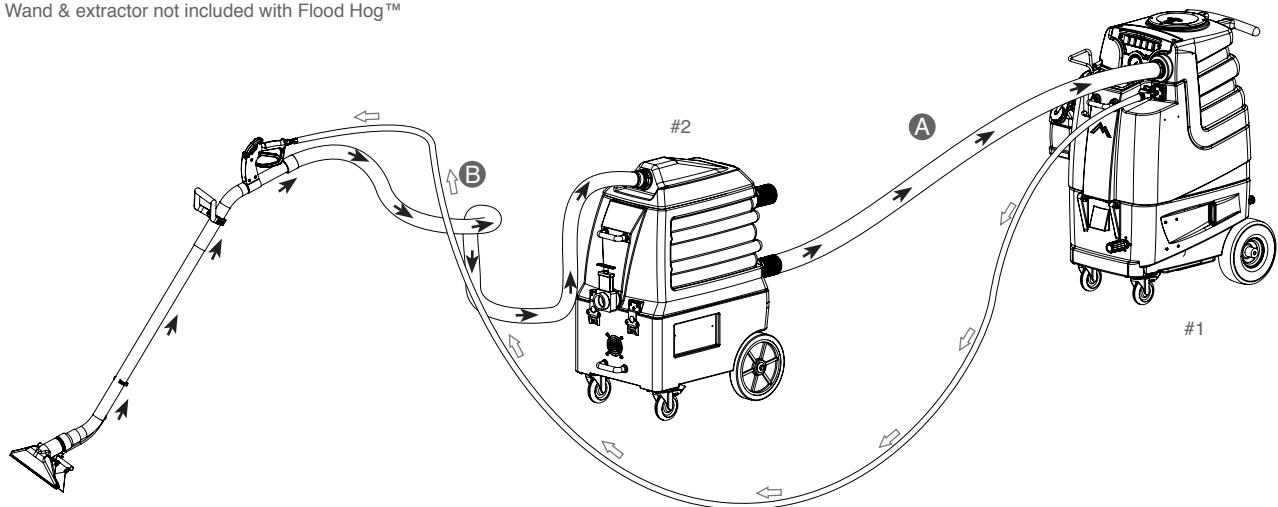


The optional pump-out can be used in conjunction with a second, larger extractor (#1), which will be used as a clean water source. **A.** Connect a vacuum and solution hose to the larger extractor (#1) and the Flood Hog's™ (#2) rear top plug. Keep the bottom rear vacuum plug capped. **B.** Attach the wand's vacuum hose to the Flood Hog's™ front vacuum port and attach the solution hose to the larger extractor's QD. **C.** Connect the Flood Hog's™ pump-out hose to the Flood Hog™ via the cam-lock fitting on the rear of the machine. Turn on the pump-out switch. Dirty water will be automatically pumped out of the Flood Hog™.

4. USING THE FLOOD HOG™ AS A BOOSTER AND PASS-THROUGH EXTRACTOR

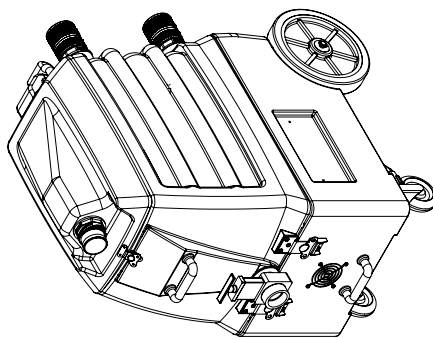
- ⇨ Solution flow
- ➔ Dirty water recovery

* Wand & extractor not included with Flood Hog™



The Flood Hog™ (#2) can be used as a pass-through extractor and to boost the airflow of a second, larger extractor (#1) by increasing its CFM by 113. **A.** To do this, use the larger extractor (#1) as a fresh water source and recovery tank, connect a vacuum hose to the larger extractor and the Flood Hog's™ (#2) rear bottom plug. Keep the top rear plug capped. **B.** To use a wand, attach the wand's vacuum hose to the front of the Flood Hog™ and attach the solution hose to larger extractor and to the wand. Clean water will travel from the larger extractor to the wand to clean the surface, and dirty water will be drawn through the Flood Hog™ into the main extractor's recovery tank.

7000S FLOOD HOG™ PARTS & PRICING



NAME	DATE	MYTEE PRODUCTS, INC.
DRAWN: V. Labarbara		888-871-7171
CHECKED:		TITLE:
COMMENTS:		Flood Hog (2014)
<small>THIS DRAWING IS THE PROPERTY OF MYTEE PRODUCTS, INC. AND IS TO BE USED ONLY FOR THE PURPOSES SPECIFIED. REPRODUCTION OR TRANSMISSION OF THIS DRAWING WITHOUT THE WRITTEN PERMISSION OF MYTEE PRODUCTS, INC. IS PROHIBITED.</small>		
REV	SIZE	DWG. NO.
A	C	7000S
	SCALE:	1:32
		SHEET 1 OF 3

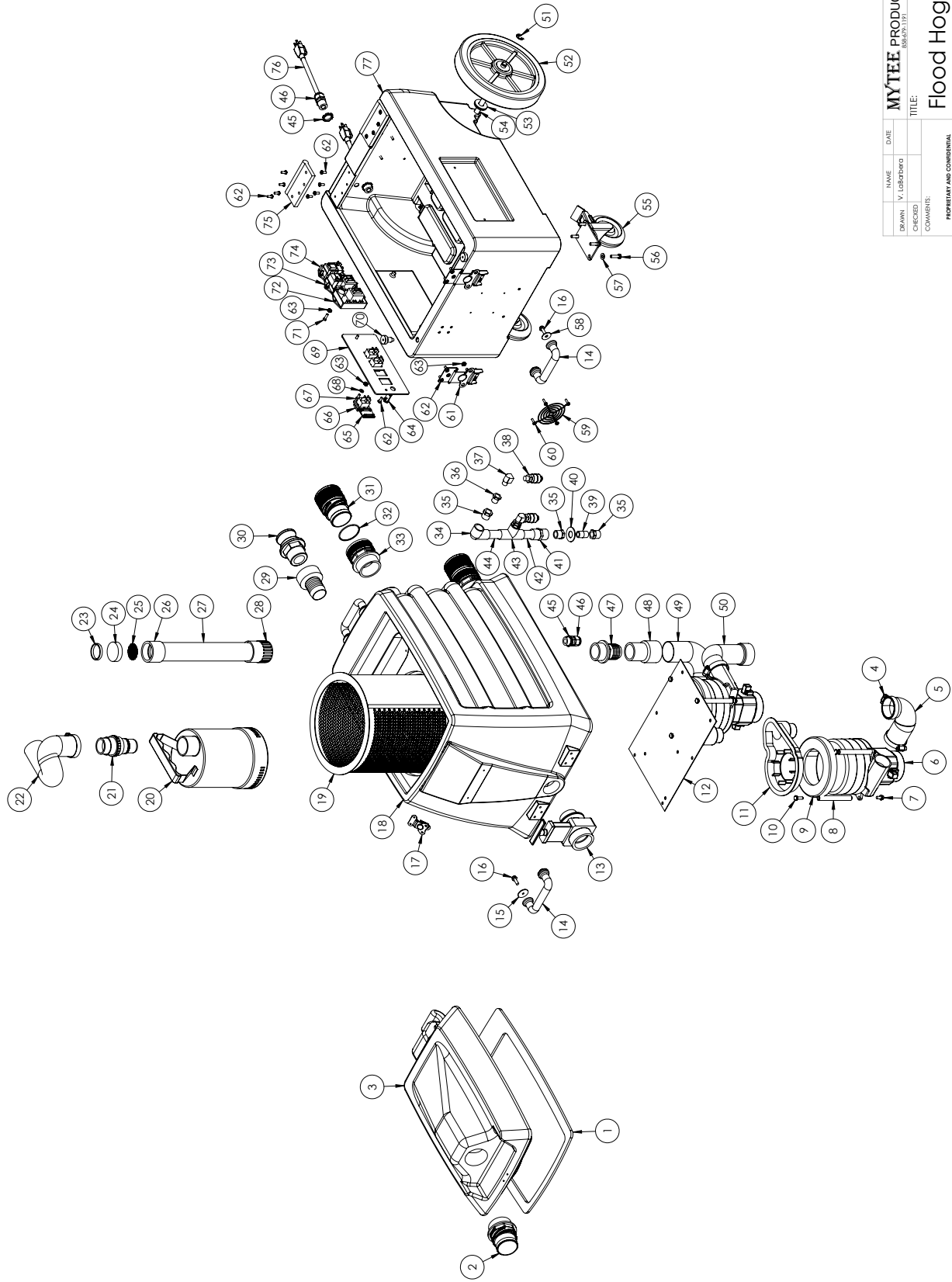
ITEM NO.	PART NO.	DESCRIPTION	QTY.	MSRP
63	H273	nut, kep. #10-32 zinc	15	\$0.99 ea
64	E512B	light indicator, 125v (amber)	1	\$9.99 ea
65	P967A	plug	1	\$1.99 ea
66	E515	switch, rocker, 2 position	3	\$13.99 ea
67	H389	screw, 10-32 x 1/2" SHCS, alloy	1	\$0.99 ea
68	H612	washer, 8 flat, s/s	1	\$0.99 ea
69	H641	plate, switch, RL2000, 7000DX	1	\$6.99 ea
70	G068	bumper, 7/8" x 1/4" head	2	\$1.99 ea
71	H186	screw, 10-32 x 3/4, phil flat full thread	6	\$0.99 ea
72	E564	controller, circuit light	1	\$62.99 ea
73	E370	controller, water level, dual pump or vac	1	\$133.99 ea
74	E628	controller, water level, single, 115V	1	\$114.99 ea
75	H487	bracket, hinge	2	\$4.49 ea
76	E550	power cord, pigtail, 30', 12/3, black	2	\$11.49 ea
77	P696	base, breeze	1	\$135.99 ea

ITEMS NOT SHOWN

PART NO.	DESCRIPTION	QTY.	MSRP
H141	Cuff-Lynx, 2' x 1.5" reducer	1	\$3.99 ea
H908	flood wand, two piece, extraction	1	\$62.99 ea
P570	head, scalloped, grey, wet/dry vacuuming	1	\$20.99 ea
G109	gasket, strip, vac lid, 7000S	1	\$10.99 ea
G200	squeegee, head w/blades, black	1	\$29.99 ea
H294	hose, vac fx 1-1/2" x 25' sw cuffs	2	\$73.99 ea
H205	female cam and groove, 1-1/2"	1	\$32.99 ea
E530	power cord, ext 50', 12/3	2	\$74.99 ea
P568A	cord lock, s-type	2	\$8.99 ea
H226	spout, drain, 45 degree	1	\$3.99 ea

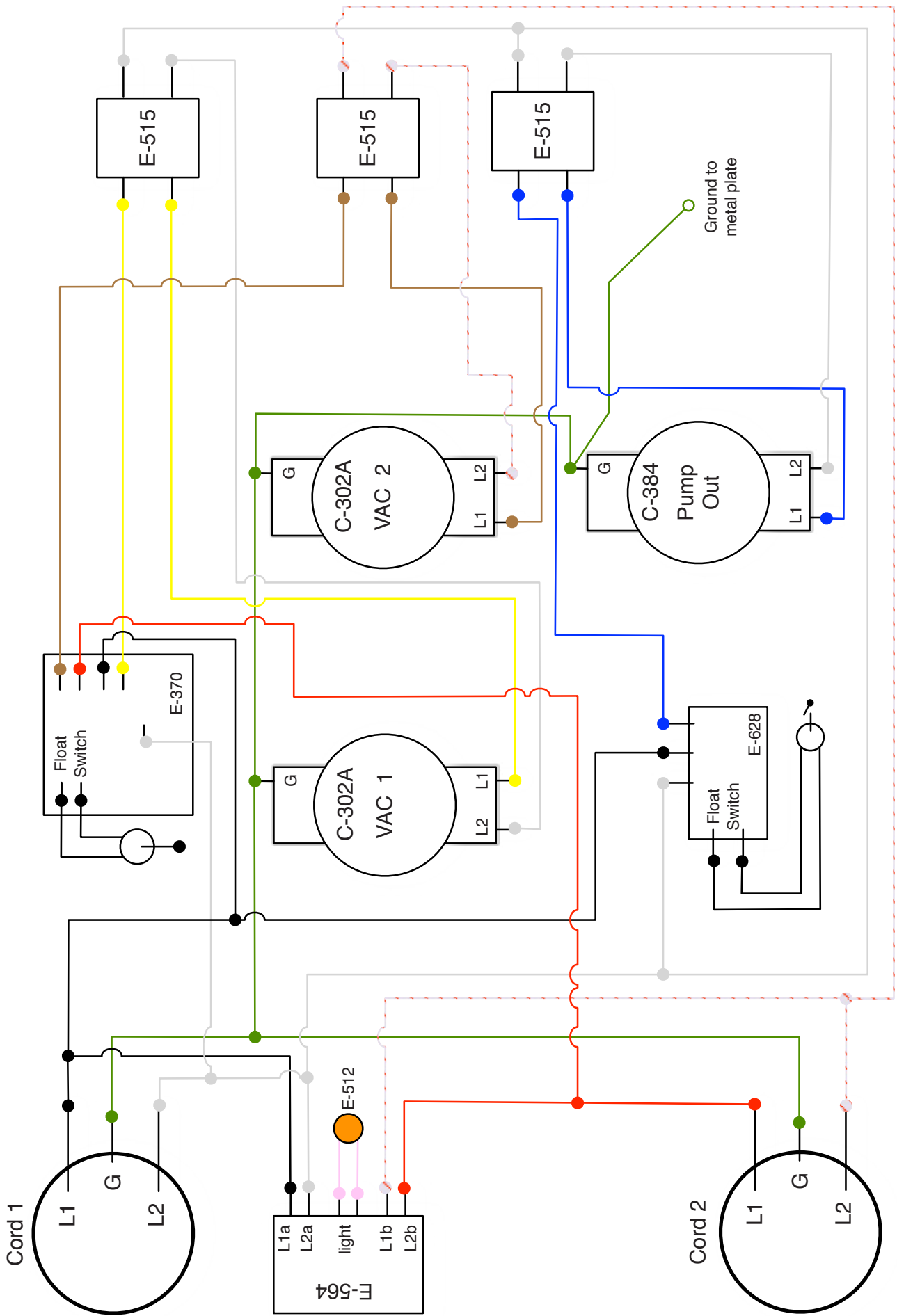
ITEM NO.	PART NO.	DESCRIPTION	QTY.	MSRP
1	G106	gasket, vac lid, 7000S	1	\$21.99 ea
2	H135	Cuff-Lynx, 2' m cuff x 2' mpt	1	\$3.99 ea
3	P740	lid, 7000S	1	\$96.99
4	H217	clamp, hose, 2-1/4 dia	5	\$1.49 ea
5	PH628-10	vac hose, 2", black, wire reinforced	1	\$8.99 ft
6	C302A	vac motor, 3-stage hp, 120V, 145"	2	\$148.99 ea
7	H770	bolt, 1/4-20 x 1/2" serrated hex flange, zinc	6	\$0.99 ea
8	H501	vac support, 3 stage, 4-1/16"	6	\$4.99 ea
9	G004	gasket, vacuum motor	2	\$8.99 ea
10	H202	bolt, 1/4-20 x 3/4 hex head, s/s	6	\$0.99 ea
11	P735	manifold, single vac, no gasket	2	\$14.99 ea
12	H253	plate, dual manifold, 9" x 13"	1	\$14.99 ea
13	H225	valve, drain, 1-1/2"	1	\$20.99 ea
14	H485	handle, aluminum grip, black	3	\$6.99 ea
15	G052	washer, buna 1-1/8" od x 3/16" id	4	\$1.99 ea
16	H768	bolt, 1/4-20 x 3/4" serrated hex flange, zinc	6	\$0.99 ea
17	H906	latch, front, small, 7000S	1	\$18.99 ea
18	P741	flood hog, vac tank	1	\$193.99 ea
19	H023	filter basket, flood hog	1	\$64.99 ea
20	C384	pump out, 35 gpm, 115v, stainless	1	\$429.99 ea
21	P686	swing check valve, pump out	1	\$24.49 ea
22	PH627-7	vac hose, 1-1/2", black, wire reinforced	1	\$4.99 ft
23	PH633-1	pipe, pvc, 1-1/2"	1	\$4.99 ft
24	G003	filler, foam, 2' x .50" o.d.	1	\$1.99 ea
25	G097	screen, mesh filter, 1-1/2" dia	1	\$4.99 ea
26	P502	adapter, 1.5" pvc, fsip x fsip	1	\$5.00 ea
27	PH633-12	pipe, pvc, 1-1/2"	1	\$4.99/ft
28	H244	adapter, pvc, 1-1/2" fms x fmp1	1	\$4.99 ea
29	H396	barb, 1-1/2" x 1-1/2" fpt, pump out	1	\$19.99 ea
30	H207	cam & groove fitting 1-1/2", male	1	\$21.99 ea
31	H121	cuff-lynx, 2' plug	2	\$3.99 ea
32	G122	O-ring, 2.318" OD x 3/32" width	2	\$2.99 ea
33	H124	Cuff-Lynx, 2' mpt x 2" female cuff	2	\$3.99 ea
34	P680	elbow, pvc, 1/2" fnt x 1/2" fms	1	\$2.00 ea
35	B210	bushing, brass, 1/2" mpt x 3/8" fpt, hex	4	\$2.49 ea
36	B105	bushing, brass, 3/8" mpt x 1/4"	2	\$3.19 ea
37	B103	elbow, brass, 90 deg, 1/4" mpt x 1/4" fpt	2	\$4.49 ea
38	E973	level switch, vacuum shut-off, rear threads	2	\$13.99 ea
39	B216	nipple, brass, 3/8" x close	1	\$1.99 ea
40	H299	washer, 1 1/16" id x 1-1/2" od x .075, s/s	1	\$0.99 ea
41	P679	adapter, pvc, 1/2" fpt x s	1	\$3.99 ea
42	P677-2	TEE 1/2" FSip x 1/2" FSip x 1/2" FPT	1	\$1.99 ft
43	P575	pipe, pvc, 1/2" x 20'	1	\$0.99 ea
44	P677-2.5	tee, pvc, 1/2" x 20'	1	\$1.99 ft
45	H221	nuf. lock, 1/2" steel	3	\$1.99 ea
46	H220	fitting, strain relief, cord	3	\$3.19 ea
47	H229	inlet, pvc, 1-1/2", gray	1	\$5.99 ea
48	H300	cuff, hose, 1-1/2 x 1-1/2, wire	1	\$5.99 ea
49	PH627-15	vac hose, 1-1/2", black, wire reinforced	1	\$4.99 ft
50	G059	exhaust boot, plastisol	1	\$4.99 ea
51	H042	c-clip, 12mm, external	2	\$0.99 ea
52	H392	wheel, 10"	2	\$35.49 ea
53	H254	washer, axle, cut 1/2" id	4	\$0.99 ea
54	H371	axle, 18.03" x .50" dia	1	\$9.99 ea
55	H668	caster, 4", black hub & gray head	2	\$19.49 ea
56	H342	bolt, 1/4-20 x 1" hex head, s/s	8	\$0.99 ea
57	H210	washer, 1/4" flat, s/s	8	\$0.99 ea
58	H211	washer, 1/4" id x 1" od, flat, s/s	2	\$0.99 ea
59	H296	guard, cooling fan, wire	2	\$2.99 ea
60	H304	screw, 8 x 5/8", phil oval, s/s	8	\$0.99 ea
61	H486	latch, front	2	\$13.99 ea
62	H230	screw, 10-32 x 1/2" phil pan head, s/s	32	\$0.99 ea

7000S FLOOD HOG™ PARTS & PRICING



NAME	DATE
DRAWN: V. Lobzberg	
CHECKED:	
COMMENTS:	
<p>PROPRIETARY AND CONFIDENTIAL</p> <p>THE INFORMATION CONTAINED IN THIS DRAWING IS THE SOLE PROPERTY OF MY TEE PRODUCTS, INC. ANY REPRODUCTION IN PART OR AS A WHOLE WITHOUT THE WRITTEN PERMISSION OF MY TEE PRODUCTS, INC. IS PROHIBITED.</p>	
<p>MY TEE PRODUCTS, INC. 8000 S. 111th</p>	
<p>7000S</p>	
REV	
SCALE: 1:32	
SHEET 2 OF 3	

7000S Wire Schematic



NOTES



Mytee Products Inc.
13655 Stowe Dr.
Poway, CA 92064
www.mytee.com
FX 858.679.7814

© 2015 Mytee Products Inc.
Printed in the U.S.A.