



CF-FM Series Flood Control & Water Damage Restoration

Portable Heavy Duty
Machine

Owner's Manual



IMAGES AND ILLUSTRATIONS ARE FOR REFERENCE ONLY.
ACTUAL PRODUCTS MAY NOT BE EXACTLY AS SHOWN.

5109 N NATIONAL DR. KNOXVILLE, TN 37914

TEL: (888) 722-5508

WWW.CLEANFREAK.COM

© All rights reserved

CAUTION

GENERAL PRECAUTIONS FOR SINGLE AND DUAL POWER CORD MACHINES:

Single Power Cord Machines

Make sure the machine is plugged into an electrical outlet with the same voltage as shown on the machine.

Dual Power Cord Machines

Make sure the power cord is plugged into an electrical outlet with the appropriate voltage. (As shown on the machine). Each power cord must be on separate circuits. To test if the machine is on two separate circuits press the "Circuit Test" switch located on the switch plate. If the green light is illuminated it will confirm that the machine is on two separate circuits. If the green light is not illuminated this indicates that the machine is on the same circuit, and that the user must find an additional circuit to plug into.

Warning!

This machine is designed for use on carpet, floor, pool and upholstery applications as per instructions written in this manual. Any deviation from its proper use or purpose and the consequential damage that may occur is the sole responsibility of the end user.

Do not attempt to repair the machine. See your authorized service dealer.

Do not expose machine to extreme temperatures.

Do not use unauthorized replacement parts.

This machine was tested before shipping and antifreeze may remain in the plumbing system. The user must flush out antifreeze before use. Make sure to use antifreeze if storing the machine in extremely cold weather.

TABLE OF CONTENTS

CAUTION	2
TABLE OF CONTENTS	3
LIMITED WARRANTY	4
SAFETY INSTRUCTIONS	6
EXTRACTOR OVERVIEW	7
ASSEMBLY	8
Connect power, Connect hose	
OPERATING THE EXTRACTOR:	9
Before operating	
Operating	
After operating	
PREVENTATIVE MAINTENANCE	10
TROUBLESHOOTING:	12
Electrical system	
Pump system	
Vacuum system	
Heating system	

LIMITED WARRANTY

All equipment and accessories are thoroughly inspected and tested before leaving the factory. They are warranted to be free of defects from workmanship and materials for one year from date of original purchase. (proof of purchase is required).

Labor: 90 days from initial purchase

Parts: 1 year, excluding normal wear and tear items

Heavy duty Fiber composite body: 20 years limited warranty

Polyethylene body: 5 years limited warranty

Should any trouble develop during this period, please contact your dealer or manufacturer to receive a Return Guarantee Authorization number (RGA #). Return the parts or extractor that need to be replaced. If after an inspection it is determined to be under warranty, the factory will repair or replace (manufacturer's discretion) the parts or equipment and return parts or equipment at no charge. Note: Credit, repair or replacement will not be given to any parts or equipment without the above mentioned RGA#.

Proof of purchase is necessary to establish the date of the original sale. Receipt of purchase or warranty registration can be used as proof of purchase. It is extremely important to register your purchase by sending CLEANFREAK the warranty registration form within 10 days of purchase (Page 5).

This warranty is in lieu of all other warranties expressed or implied, and no person is authorized to give any other warranty, assume obligation or liability on the manufacturer's behalf.

This Warranty does not apply when:

- Repairs that are required because of normal wear and tear
- Repairs have been made or attempted by others
- Items have been abused, misused or improperly maintained
- Modifications or alterations have been made to the equipment

LIMITATION OF REMEDY:

In no event shall seller be liable for any incidental, consequential or special damages of any kind or nature whatsoever. Including but not limited to lost profits arising from or in anyway connected with this agreement or items sold hereunder, whether alleged to arise from breach of contract, express or implied warranty, or in tort, including without limitation, negligence, failure to warn or strict liability.

ENTIRE AGREEMENT / GOVERNING LAW:

This agreement and warranty shall be governed in all respects by the law of the State of California. No actions arising out of the items sold hereunder or this Agreement may be brought by either party more than two (2) years after the cause of action occurs. All mediation or litigation will take place in the County of Los Angeles in California.

BLANK PAGE

SAFETY INSTRUCTIONS

WARNING!

When using an electrical appliance, basic precautions should always be followed.

To reduce the risk of fire, electric shock or injury following these tips:

1. Do not leave appliance plugged in. Unplug from outlet when not in use.
2. Electric shock could occur if used outdoors or on wet surfaces.
3. Keep away from children. Extractor is not to be used as a toy.
4. Use only as described in this manual. Use only manufacturer's recommended parts.
5. Do not use extractor with damaged power cords.
6. Do not abuse the power cord. Do not pull or carry extractor with the power cord. Do not use the power cord as a handle. Do not close doors on the power cord. Do not pull power cord around sharp edges or corners. Do not run the extractor over the power cord. Do not keep power cords around heated surfaces.
7. Do not unplug by pulling on electric power cord. To unplug, grasp the plug, not the electric power cord.
8. Do not handle plug or appliance with wet hands.
9. Do not put any object into openings. Do not use with any opening blocked; keep free of dust, lint, hair and anything that may reduce air flow.
10. Keep hair, loose clothing, fingers and all parts of body away from openings and moving parts.
11. Do not pick up anything that is burning or smoking, such as cigarettes, matches or hot ashes.
12. Do not use extractors without filters.
13. Turn off all controls before unplugging from electric outlet.
14. Use extra care when cleaning on stairs.
15. Always wear safety equipment and appropriate clothing when operating the extractor.
16. Do not use extractor to pick up flammable or combustible liquids such as gasoline or use in areas where such items may be present.
17. Connect to a properly grounded electric power outlet only.
18. Do not attempt to service the extractor while appliance is plugged in.

EXTRACTOR OVERVIEW

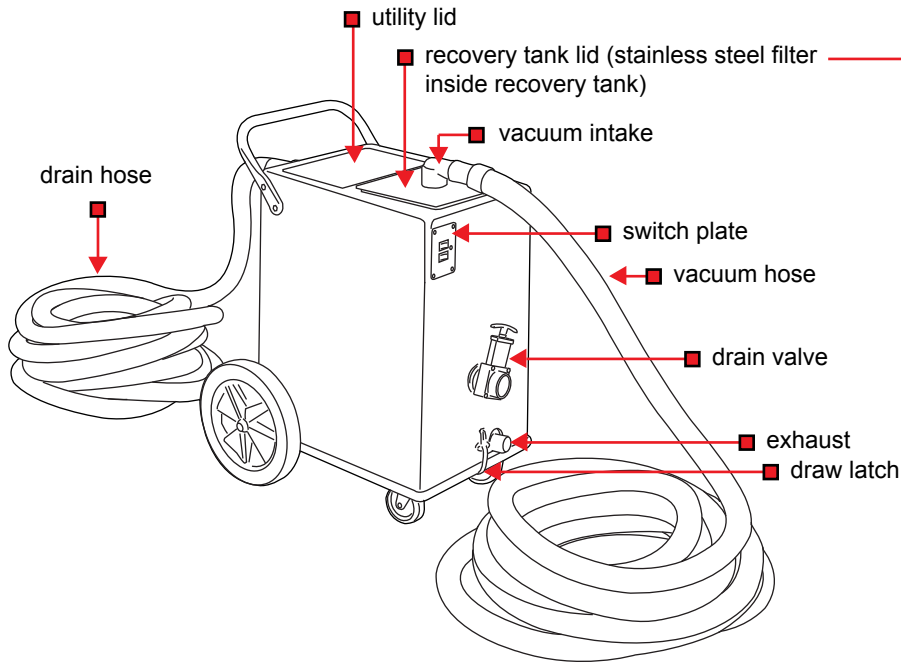
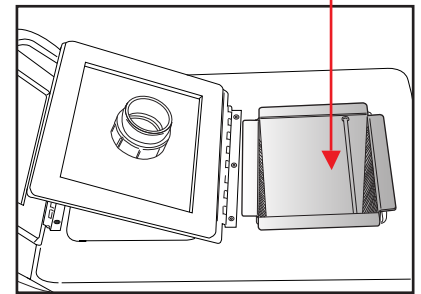


image 8.1

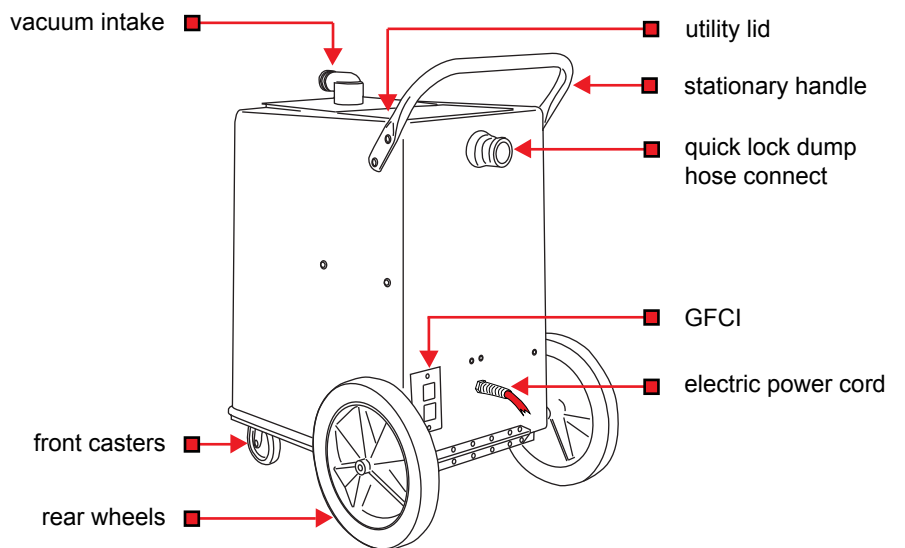


image 8.2



PM10150
 wet vacuum filter
 inside recovery tank

image 8.3



ASSEMBLY

CONNECT ELECTRIC POWER CORD

Protect the ground plug. This plug is to be used with a proper grounding type (three prong) receptacle. Do not break off or pull out the grounding blade. (see below image)

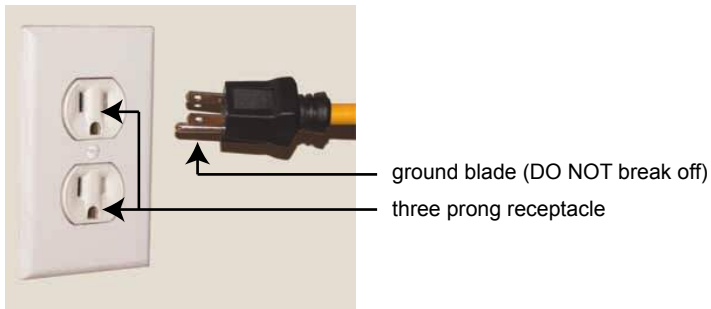


image 9.1

CONNECT HOSE

The solution hose has male quick connect on one end and has female quick connect on the other. (See below image)

- Vacuum hose connection to attachment tool
- Solution hose connection to attachment tool quick connector
- Solution hose line

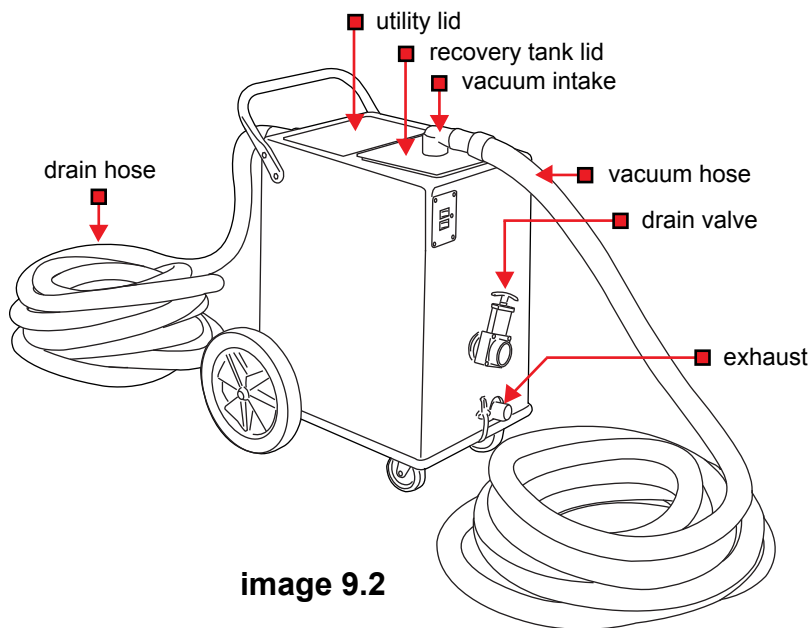


image 9.2



Noah with water pick up attachment tool

OPERATING THE EXTRACTOR

BEFORE OPERATING:

Read the manual carefully and completely before attempting to operate the extractor. Make sure the unit is plugged into an electrical outlet with the same voltage as shown on the extractor.

1. When plugging in a dual power cord extractor (see image 10.1); each cable should be on separate circuits. When this is accomplished a green light will turn on when the "Circuit Test Switch" is pressed on the switch plate. (see image 10.2 and 10.3) If the light does not turn on, this indicates that you are not on two separate circuits and are increasing your chance of a circuit blowout.
2. Make sure the drain valve is closed and the recovery tank lid is secured before turning on the vacuum and pump switches.



image 10.1

Two electric power cord extractors must have two distinct circuits.

"Circuit test" switch next to the green light, push that switch and the green light should glow. If not it is not on two separate circuits.

image 10.2

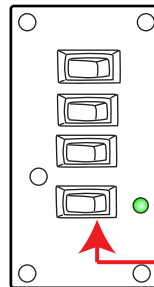


image 10.3



Enlarged view of the Circuit Test Switch

OPERATING:

1. Start and continue cleaning until the job is done.

AFTER OPERATING:

1. Turn off all the switches and disconnect electric power cord from power plug, then empty the recovery tank into a bucket or another proper drain area. (see image 10.4)
2. At this point the recovery tank can be rinsed while dumping.
4. The vacuum filter (wet filter) and ball float cage have to be rinsed and cleaned thoroughly when it's still wet. (see image 10.5.) See "Preventative Maintenance" page. Wrap power cords around handle for storage. Do not use solution or recovery tanks for storage, extractor can be damaged.

Consult your sales representative for more information on cleaning methods.

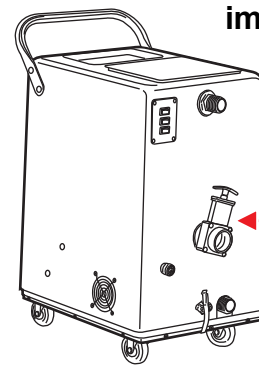


image 10.4

drain valve



image 10.5

PM10150 vacuum filter and ball float cage in recovery tank

PREVENTATIVE MAINTENANCE

AFTER EACH USE: CLEAN, LUBRICATE, ETC...

1. Thoroughly clean all equipment and accessories after each use.
 - a. Rinse recovery tank, and hoses with clean water.
 - b. Flush entire solution system with clean water. This includes attachment tool.
 - c. Clean all filters (see images: all vacuum filter).
2. Lubricate all quick connects as needed.
3. Keep equipment out of extreme temperatures. (i.e. Freezing temperatures will make water expand, and will damage pump, fittings, valves, etc.)
5. Turn off the machine whenever not in use. Do not walk away from a machine, while unattended the machine can cause excessive pressure that is not good for it.
6. Check for loose or frayed wires.



image 11.1

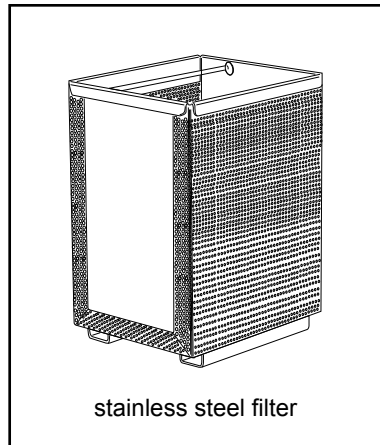


image 11.2

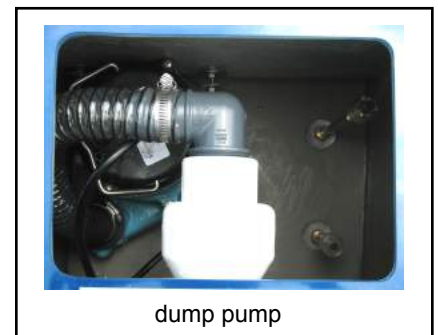
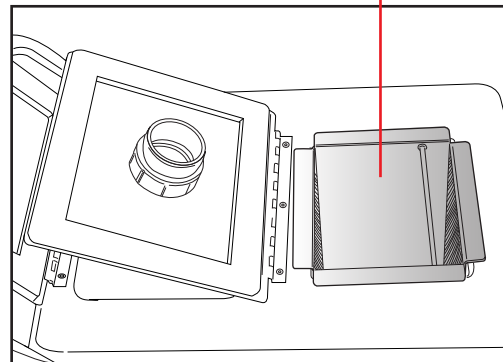


image 11.3



PREVENTATIVE MAINTENANCE CONT.

A clean vacuum filter (*) must be installed in the recovery tank at all times to protect the motor. (See below image 12.1)

Serious damage to vacuum motors will occur when vacuum filter is not installed. (See below image 12.2)

image 12.1

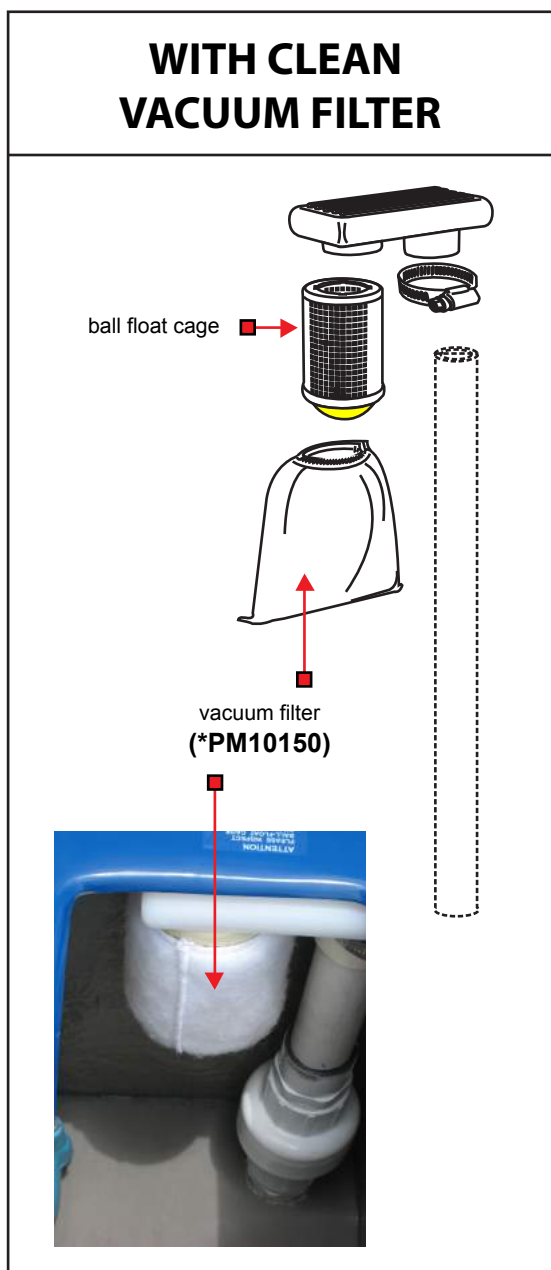


image 12.2



TROUBLE-SHOOTING

TROUBLE-SHOOTING

ELECTRICAL SYSTEM		
PROBLEM	POSSIBLE CAUSE	HOW TO REPAIR
No electrical power (Component or extractor not turning on)	<ol style="list-style-type: none"> 1. Check the outlet & the plug 2. Damage cord 3. Circuit breaker off or fuse blown 	<ol style="list-style-type: none"> 1. Plug in properly 2. See authorized repair person 3. Flip circuit breaker on or replace fuse. Unplug other equipment using the same circuit. Make sure cords are plugged into proper amp circuits.
Switch is turned on, power is intermittent to all motors	<ol style="list-style-type: none"> 1. Faulty electrical cable 2. Defective switch 3. Loose terminal or corroded connector 	<ol style="list-style-type: none"> 1. to 3.: See authorized repair person
Electric shock	<ol style="list-style-type: none"> 1. Equipment or electric cord not grounded 	See authorized repair person
PUMP SYSTEM		
Pump motor stopped	<ol style="list-style-type: none"> 1. Thermal overload (over heated) 2. Level switch 3. Fuse 4. Pump switch defective 5. Loose wire connection 6. Pump pressure switch defective 7. Faulty motor 	<ol style="list-style-type: none"> 1. Turn off the pump switch and wait 20-30 minutes for the pump to cool down. 2. to 7: See authorized repair person
Loss of pump pressure and flow	<ol style="list-style-type: none"> 1. Dirty or clogged filters 	<ol style="list-style-type: none"> 1. Clean or see authorized repair person

TROUBLE-SHOOTING

VACUUM SYSTEM		
PROBLEM	POSSIBLE CAUSE	HOW TO REPAIR
Vacuum motor on with little or no vacuum or suction at wand/ upholstery tool/attachment tool	<ol style="list-style-type: none"> 1. Lid is not properly closed 2. Drain hose/valve not connected/ closed 3. Hose or wand clogged 4. Accumulated dirt on the ball float cage and filter 5. Worn out lid gasket 6. Lint and dirt build-up on wand 7. Damaged vacuum hose 8. Loose or no vacuum hose connection inside the extractor 9. Foreign object accumulated in vacuum fans 	<ol style="list-style-type: none"> 1. Close the lid 2. Connect hose or close optional drain valve 3. Clean hoses and wand 4. Clean or replace the filter 5. Replace the gasket 6. Clean the wand 7. Replace 8. See authorized repair person 9. See authorized repair person
Vacuum motors run intermittently		See authorized repair person

ETC...

PROBLEM	POSSIBLE CAUSE	HOW TO REPAIR
No water from the jet	<ol style="list-style-type: none"> 1. Extractor not plugged in (or circuit breaker off) 2. Switch is not turned on (bad switch?) 3. The hose is not connected properly 	<ol style="list-style-type: none"> 1. Plug in working outlet 2. Turn the switch on. See authorized repair person for new switch 3. Connect hose properly
Water or foam coming out from exhaust	<ol style="list-style-type: none"> 1. Over foaming of water in recovery tank 2. Elbow fitting in recovery tank pointing wrong direction (i.e. pointed toward the ball-float cage) 3. No ball-float cage 4. Too much water in the recovery tank 	<ol style="list-style-type: none"> 1. Put defoamer in the recovery tank or put it in the end of vacuum hose with vacuum motor running 2. Point elbow away from ball-float cage 3. Install ball-flat 4. Drain the recovery tank

CAUTION:

1. DISCONNECT POWER CORDS FROM THE OUTLET BEFORE DOING ANY MAINTENANCE WORK.
2. WHEN ELECTRIC POWER IS ON PROTECT YOURSELF FROM ELECTRIC SHOCK & HEAT

WARNING: This product contains chemicals known to the State of California to cause cancer, birth defects or other reproductive harm.

ADVERTENCIA: Este product contiene substancias quilicas reconocidas par el estado de California como causantes de cancer, anomalias congenitas y otros danos reproductivos.



5109 N NATIONAL DR. KNOXVILLE, TN 37914
TEL: (888) 722-5508
WWW.CLEANFREAK.COM

© All rights reserved