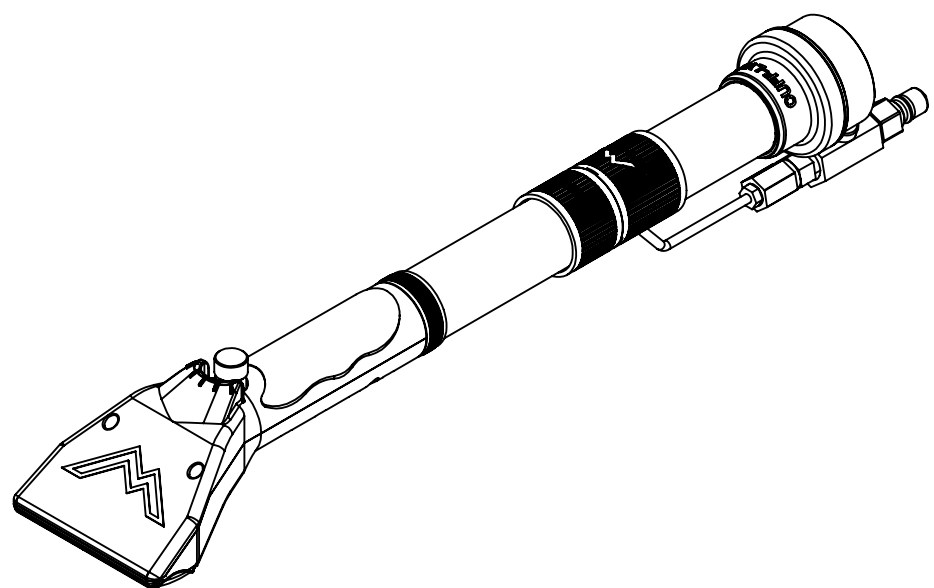
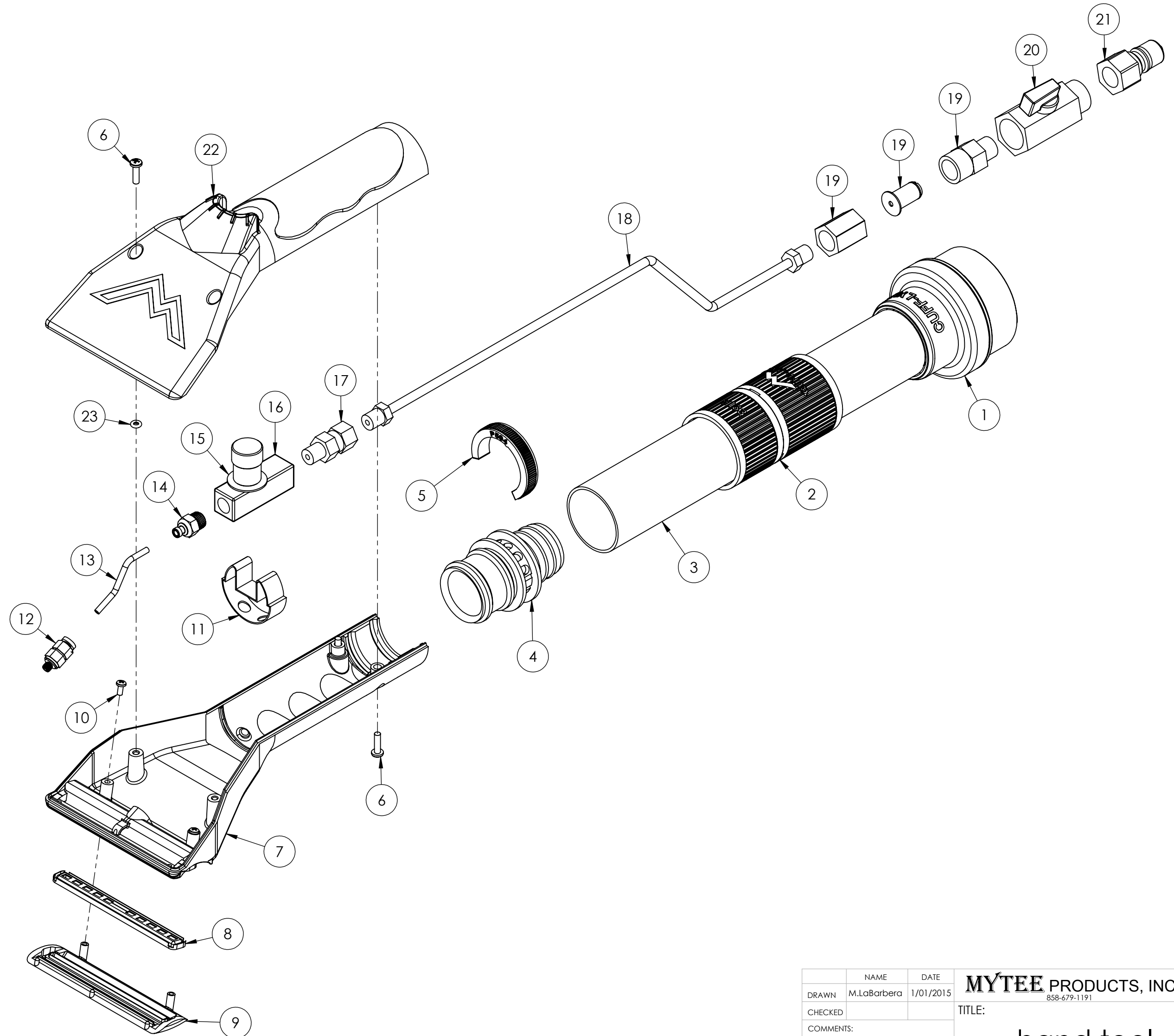


ITEM NO.	PART NO.	DESCRIPTION	QTY.
1	H122V	Cuff-Lynx, 2" fem cuff x 1.25" fem vac hose, vinyl	1
2	H133	Cuff-Lynx, 2" hose x 2" female & male	1
3	H701	vac hose, 1-1/4" x 15'	1
4	P602	swivel, vent relief, w/ring, 8400DX	1
5	P594	vacuum relief ring, 8400DX	1
6	H356	screw, 6-32 x 1/2" phil pan head, s/s	4
7	P600A	housing, lower, handtool	1
8	G112	gasket, glide, 8400DX	1
9	P601	glide, s/s	1
10	H361	screw, 4-40 x 1/4", phil pan head, s/s	2
11	H572	bracket, valve, 8400dx	1
12	B218	push-in, 1/8" x 10-32 npt	1
13	PH659	tubing, 1/8"od x .079"id nylon, blk	1
14	B219	push-in, 1/8" x 1/8" npt	1
15	G105	gasket, valve, buna, handtool	1
16	B237A	valve, flow, 1/8"	1
17	B311	adapter, swivel, 1/8" mpt x 1/8" fsw	1
18	AH136	sol hose, 1/8" x 15', 1/8 mpt x 1/4 mpt, hand tool	1
19	B247	filter, in-line, 100 mesh, 1/4" MPT x FPT	1
20	B656A	valve, ball, 1/2" mpt x 1/2" fpt, s/s	1
21	B101	qd, brass, 1/4" m	1
22	P600	housing, upper clear, handtool	1
23	G214	o-ring, 1/4" OD x 1/8" ID	2

REVISIONS			
REV.	DESCRIPTION	DATE	APPROVED
OD	ORIGINAL DRAFT	1/01/2015	JFL

ITEMS NOT SHOWN

PART NO.	DESCRIPTION	QTY.
H655	coupler, 1-1/2" barb to barb fitting	1
H943	cuff, black ninyl, 1-1/4" hose x 1-1/2" female slip	1
G115	bag, backpack, hose	1
G079	hose wrap, heat guard	1



	NAME	DATE	MYTEE PRODUCTS, INC. 858-679-1191	
DRAWN	M.LaBarbera	1/01/2015	TITLE: hand tool	
CHECKED			REV OD	
COMMENTS:			SIZE DWG. NO.	SCALE: 1:2
PROPRIETARY AND CONFIDENTIAL THE INFORMATION CONTAINED IN THIS DRAWING IS THE SOLE PROPERTY OF MYTEE PRODUCTS, INC. ANY REPRODUCTION IN PART OR AS A WHOLE WITHOUT THE WRITTEN PERMISSION OF MYTEE PRODUCTS, INC. IS PROHIBITED.			C	DO NOT SCALE DRAWING
			8400DX	SHEET 1 OF 1