



PACIFIC[™]
F L O O R C A R E

PURPOSE BUILT.[™]

PARTS & OPERATING MANUAL

SCE-11

SELF CONTAINED EXTRACTOR

PLEASE READ THIS BOOK

This operator's book has important information for the use and safe operation of this machine. Read this book carefully before starting the machine. Keep this book and tell all operators to read the book. If you do not follow the instructions, you can cause an injury or damage equipment, furniture or buildings.

For new books, please download your copy from our website www.pacificfloorcare.com or write to:

Pacific Floorcare
2259 S. Sheridan Drive
Muskegon, MI 49442-6252

Carefully inspect all components to ensure that there is no concealed freight damage. If such damage is discovered, file a "CONCEALED DAMAGE REPORT" immediately with the delivering carrier.

The contents of this manual are based on the latest product information available at the time of publication. Pacific reserves the right to make changes or improvements without notice.

Thank you for purchasing a Pacific Floorcare product. Warranty registration will allow us to better serve you over the lifetime of the product. For quick and easy registration, go to:
www.pacificfloorcare.com/Register Product.

IMPORTANT SAFETY INSTRUCTIONS

Grounding Instructions

This machine must be grounded. If it should malfunction or break down, grounding provides a path of least resistance for electric current to reduce the risk of electric shock. This machine is equipped with a cord having an equipment-grounding conductor and grounding plug. The plug must be inserted into an appropriate outlet that is properly installed and grounded in accordance with all local codes and ordinances.

WARNING - Improper connection of the equipment-grounding conductor can result in a risk of electric shock.

Check with a qualified electrician or service person if you are in doubt as to whether the outlet is properly grounded. Do not modify the plug provided with the machine. If it will not fit the outlet, have a proper outlet installed by a qualified electrician.

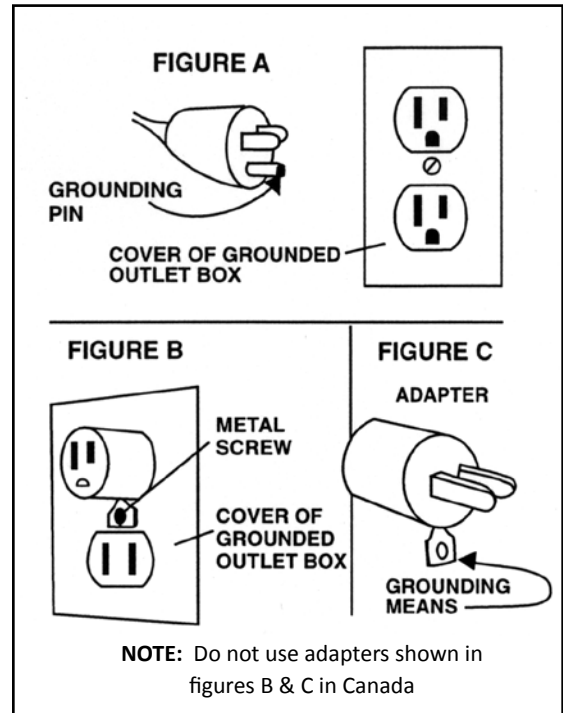
This machine is for use on a nominal 120-volt circuit, and has a grounded plug that looks like the plug illustrated in figure A. A temporary adapter that looks like the adapter illustrated in figures B and C may be used to connect this plug to a 2-pole receptacle as shown in figure B if a properly grounded outlet is not available. The temporary adapter should be used only until a properly grounded outlet (figure A) can be installed by a qualified electrician. The green colored rigid ear, lug, or the like extending from the adapter must be connected to a permanent ground such as a properly grounded outlet box cover. Whenever the adapter is used, it must be held in place by a metal screw.

NOTE: In Canada, the use of a temporary adapter is not permitted by the Canadian Electrical Code

EXTENSION CORDS

Use only three-wire 12/3 or larger gauge approved extension cords that have three-prong grounding type plugs and three-pole receptacles that accept the appliance's plug. Replace or repair any damaged cords or plugs.

When servicing, refer to authorized person only. Use only identical replacement parts.



IMPORTANT SAFETY INSTRUCTIONS

To ensure the safe operation of this machine, you must read and understand all warnings and instructions in this book. If you do not understand, ask your supervisor.

READ ALL INSTRUCTIONS BEFORE USING THIS MACHINE

WARNING: To reduce the risk of fire, electric shock, or injury:

1. You must be trained to operate this machine. This machine is to be operated for its intended use only.
2. Do not operate this machine unless it is completely assembled.
3. Always use a three-wire electrical system connected to the electrical ground. For maximum protection against electrical shock, use a circuit that is protected by a ground fault circuit interrupter. Consult your electrical contractor.
4. To prevent electric shock, always remove the electrical plug from the electrical outlet before doing any repairs or maintenance and when leaving the machine unattended.
5. Machines can cause an explosion when near flammable materials and vapors. Do not use this machine with or near fuels, grain dust, solvents, thinners, or other flammable materials. Do not use flammables to clean this machine.
6. A qualified or authorized person must do maintenance and repairs.
7. To prevent damage to the power cord, do not move this machine over the power cord. Always lift the power cord over the machine. Do not pull or carry cord, use cord as a handle, close a door on cord, or pull cord around sharp edges or corners. Keep cord away from heated surfaces.
8. Do not use with damaged cord or plug. If the machine is not working as it should, has been dropped, damaged, left outdoors, or dropped into water, return it to a service center.
9. Do not use this unit for dry pick-up of dust or debris.
10. To prevent injury, always remove the electrical plug from the electrical outlet before leaving the machine.
11. Do not immerse. To reduce the risk of electrical shock, use only on carpet moistened by the cleaning process. Protect the machine from rain. Keep the machine in a dry building. Always clean the machine with a clean dry cloth.
12. Make sure all switches are turned off before plugging or unplugging it power cord into/from a wall receptacle.
13. Do not use water that is hotter than 60°C (140°F).
14. To prevent damage to the solution system components do not store in freezing temperatures without proper maintenance.
15. Do not allow to be used as a toy. Close attention is necessary when used near children.
16. Do not unplug by pulling on cord. To unplug, grasp the plug, not the cord.
17. Do not handle the plug or machine with wet hands.
18. Do not put any object into openings. Do not use with any opening blocked. Keep free of dust, lint, hair and anything that may reduce the airflow.
19. Keep hair, loose clothing, fingers and all parts of body away from openings and moving parts.
20. Do not pick up anything that is burning or smoking, such as cigarettes, matches or hot ashes.
21. Use extra care when cleaning on stairs.

OPERATING PROCEDURES

WARNING! For the safe operation of this machine follow the instructions given in this booklet and the training given by your supervisor. Failure to do so can result in personal injury and/or damage to machine and property!

DO NOT OPERATE MACHINE IN AN EXPLOSIVE ENVIRONMENT!

WARNING! NEVER USE THIS MACHINE TO PICK UP VOLATILE OR EXPLOSIVE MATERIAL!

The model shown in this manual is intended for commercial use.

PREPARATION

1. Check power cord, plug and strain relief for worn or damaged insulation. Repair or replace if necessary.
2. Confirm the drain valve is closed (T-handle pushed down). If the valve is left open, the vacuum is dramatically reduced and any recovered solution will drain out.
3. The knob for the spool valve is located on the lower back panel of the machine. During normal operation as a self contained extractor this knob is turned toward **"MACHINE"** (horizontal position). It should be turned to the **"TOOL"** position (vertical) when a wand or other tool is being used.
4. Lock the brush chassis in the up position for storage or transport. This is done by pulling up on the lift handle at the front of the machine, then resting the round lift stop behind the bracket.
5. Inspect the vacuum head and brush by tilting the machine backwards, allowing it to balance on the wheels and drain spout.
 - a) Vacuum head: Check for any damage. Burrs on the contact surface may snag carpet fibers. Gouges, scratches and chipped areas can reduce vacuum performance.
 - b) Brush: Inspect for damaged or missing bristles, replace if necessary.Return the machine to the upright position.
6. Check the inlet strainer for damage or debris. It is located at the bottom of the fresh water tank. Holes in the screen can allow contaminants to enter the pump resulting in costly repairs. A clogged screen will reduce pump performance and may cause permanent damage.
7. Remove the clear dome on top of the recovery tank.
 - a) Inspect for damage to the dome and gasket. Dirt or debris on the gasket or sealing surface of the tank can cause a vacuum leak and reduce vacuum performance.
 - b) The intake filter screen at the vacuum hose connection should be clean of debris and checked periodically for any damage, replace if necessary.
 - c) Ensure that the deflector shield and intake filter are in their proper positions to prevent recovered water from entering the vacuum motor.Return the cover to its original position with the front lip seated under the retaining bracket.

OPERATION

The following procedures are intended to describe and detail proper operation of your machine. Failure to follow these recommended procedures can reduce the machine's performance and may result in damage to the machine.

1. Vacuum the area to be cleaned. Your machine will do a more thorough job if the loose dirt and debris are removed before the extraction process begins.
2. Add NON-FOAMING cleaning concentrate to the fresh water/solution tank. Follow mixing instructions for 11 gallons of water. Then fill the tank with warm to hot water. Do not use water hotter than 60°C (140°F). DO NOT OVERFILL.
3. Connect the power cord plug to a 115 volt grounded wall socket. See Grounding Instructions on page 2. Use of an extension cord is not recommended. However, if one is necessary, use only a 14-gauge or larger cord. Smaller or inferior cords are dangerous and may cause damage to your machine.
4. Lower the floating brush chassis using the lift handle located in the front of the machine. Lift the handle off the lift stop bracket and lower until the brush contacts the floor. Remember to always raise and lock the brush chassis for storage and transport.
5. Turn the spool valve knob (located at the back of the machine to the:
 - a) **"MACHINE"** (horizontal) position for routine carpet extraction as a self contained unit, or:
 - b) Turn it in the **"TOOL"** (vertical) position when using a wand or tool.
6. The switch panel is located on top of the handle and contains the following:
 - a) Turn the vacuum switch on to start the vacuum motor.
 - b) Accessory only pump switch: Do not turn on the accessory pump switch unless the spool valve knob is turned to **"TOOL"** position.

OPERATING PROCEDURES

OPERATION (continued)

7. Pull backward during operation. DO NOT ATTEMPT TO OPERATE IN A FORWARD DIRECTION. Position yourself behind the machine, grasp the handle and gently lift up on the actuator bar. Lifting the actuator bar activates the brush drive motor and the pump. Walk slowly backward to perform the cleaning process.
8. Release the actuator bar approximately 6 inches before completing each pass. The spray jets are located behind the vacuum head making it necessary to pull the machine a few inches further to pick up the last amount of solution dispensed onto the carpet.
9. Tilt the machine back on the rear wheels and walk forward to position the machine along side the previous pass (slightly overlapping).
10. As dirty solution is recovered, some foaming may be noted. Excessive foaming can be counteracted with liquid defoamer applied according to the chemical manufacturers directions to the inside of the recovery tank. DO NOT ALLOW FOAM TO RISE INTO OR NEAR THE DOME. THIS MAY CAUSE DAMAGE TO YOUR VACUUM MOTOR. Use defoamer or empty and flush the recovery tank.
11. To drain the recovery tank, place an empty bucket under the drain valve located on the rear of the machine. To open the drain valve, pull the T-handle up. Close the drain when the bucket is full or the recovery tank is empty. Dispose of the recovered water properly.
12. If streaking occurs after a period of operating time, this means the solution (fresh water) tank is near empty. Streaking is eliminated by adding more water and chemical solution to the tank.
13. To drain the solution tank, attach the small drain or "pump out" hose to the accessory quick connect on the back of the machine. Turn the spool valve lever to the "TOOL" position. Place the open end of the hose into a bucket and turn on the accessory pump switch. When empty, turn off the pump switch and remove the hose from the quick connect. Also return the spool valve knob to the "MACHINE" position.
14. After each use clean the dome, intake filter and gasket. Do not reinstall the dome until the next use. This will allow the recovery tank to dry out.
15. Raise the brush chassis for storage.

OPERATING WITH ACCESSORY TOOLS

1. Disconnect the machine suction (vacuum) hose from the right side (from operators position) of the recovery tank dome and connect the vacuum hose of hand tool/wand set to the that same port on the dome plate.
2. Connect the hand tool/wand set solution hose to the brass quick disconnect on the back, left of the machine.
3. Turn pump direction valve at the back, left of the machine to "TOOLS" setting.
4. Turn the vacuum switch to "ON" setting
5. Turn accessory pump switch on control panel to "ON" setting then begin to use your wand or hand tool.

SERVICING

This self-contained extractor is designed and manufactured to provide years of trouble free service with a minimum of maintenance and service. The following recommendations are intended to assist the operator and Service Technician in performing routine maintenance.

Failure to follow these recommendations can result in damage to your machine and diminished performance.

WARNING: Always unplug your machine before performing any service. Severe personal injury could result if the electrical power is not disconnected.

After each use:

1. Always follow through with the recommended prestart-up checks found in the Preparation section of this manual.
2. Store your machine in a dry, protected area. Do not expose this machine to rain, standing water or freezing temperatures.
3. We recommend a good thorough cleaning after each use. Clean the dome top, intake filter screen and recovery tank with fresh, clean water. Flush the fresh water tank and strainer periodically with clean water.
4. After continuous or repeated use, the jet tips and strainer/check valves will need cleaning. Unplug the cord and empty the recovery and solution tanks. Tilt the machine backward allowing it to balance on the wheels and drain valve. Remove the jet caps shown in the brush chassis illustration and clean with white vinegar and soft bristle brush. Remove the jet tips and strainer/check valves and soak in vinegar until visible deposits are dissolved, then scrub with a soft bristle brush.
Jet tips and strainer/check valves should be replaced once a year because they tend to erode under extended use. This can cause overuse of solution and possible streaking.

SERVICING

SERVICING (continued)

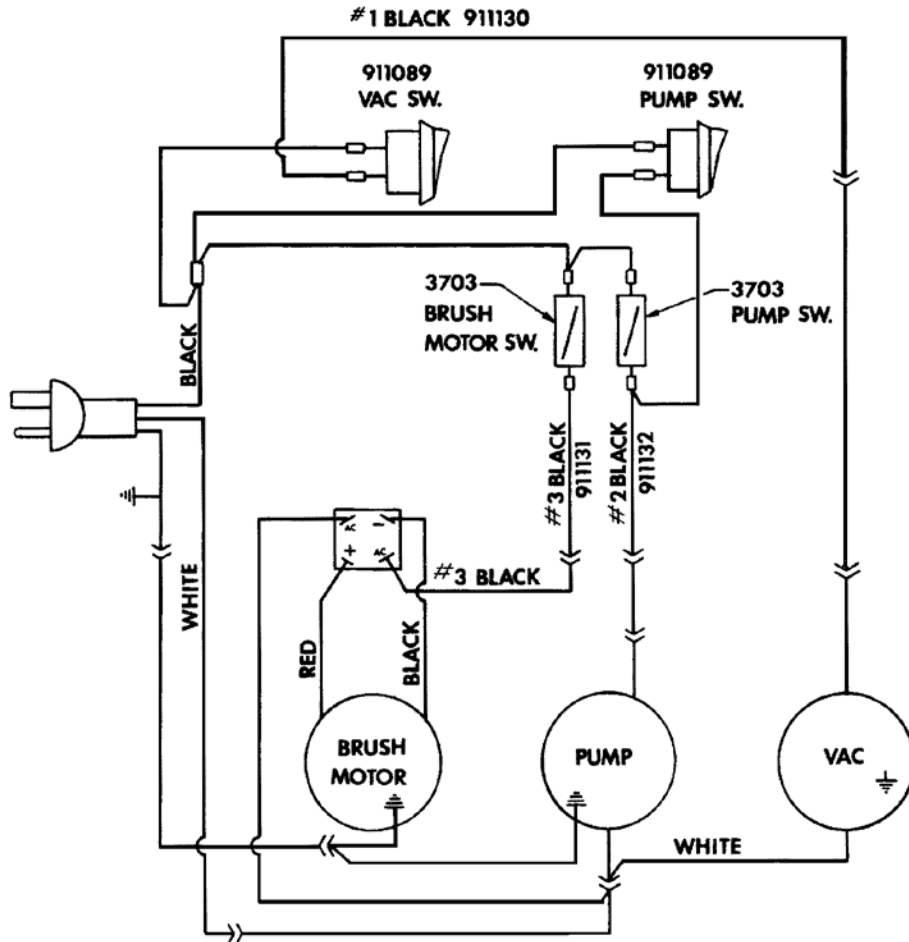
AN AUTHORIZED SERVICE CENTER SHOULD PERFORM THE FOLLOWING PROCEDURES

1. Drive belt adjustment and/or replacement: The cogged drive belt system rarely needs tightening, so if it becomes loose from wear, it is time to replace it. Follow this procedure:
 - a) Remove the two screws that attach the hanger bracket to the brush shroud. Then remove the thru-bolt from the brush chassis and lift handle. Remove the lift handle and lift stop.
 - b) Tilt the machine backward allowing it to balance on the wheels and drain valve. The brush chassis will remain on the floor exposing the brush drive belt and motor.
 - c) Loosen the two motor bracket mounting bolts with a 7/16" wrench. DO NOT REMOVE THE BOLTS UNLESS YOU ARE REPLACING THE MOTOR. Slide the motor away from the brush to tighten the belt or toward the brush for removal. Unlike a "V" type belt, the cogged belt is run with basically zero deflection. To test the belt tension, hold the belt between your thumb and forefinger and twist to the side. It should turn approximately 90° with little effort. If it twists more than 90°, retighten the belt.

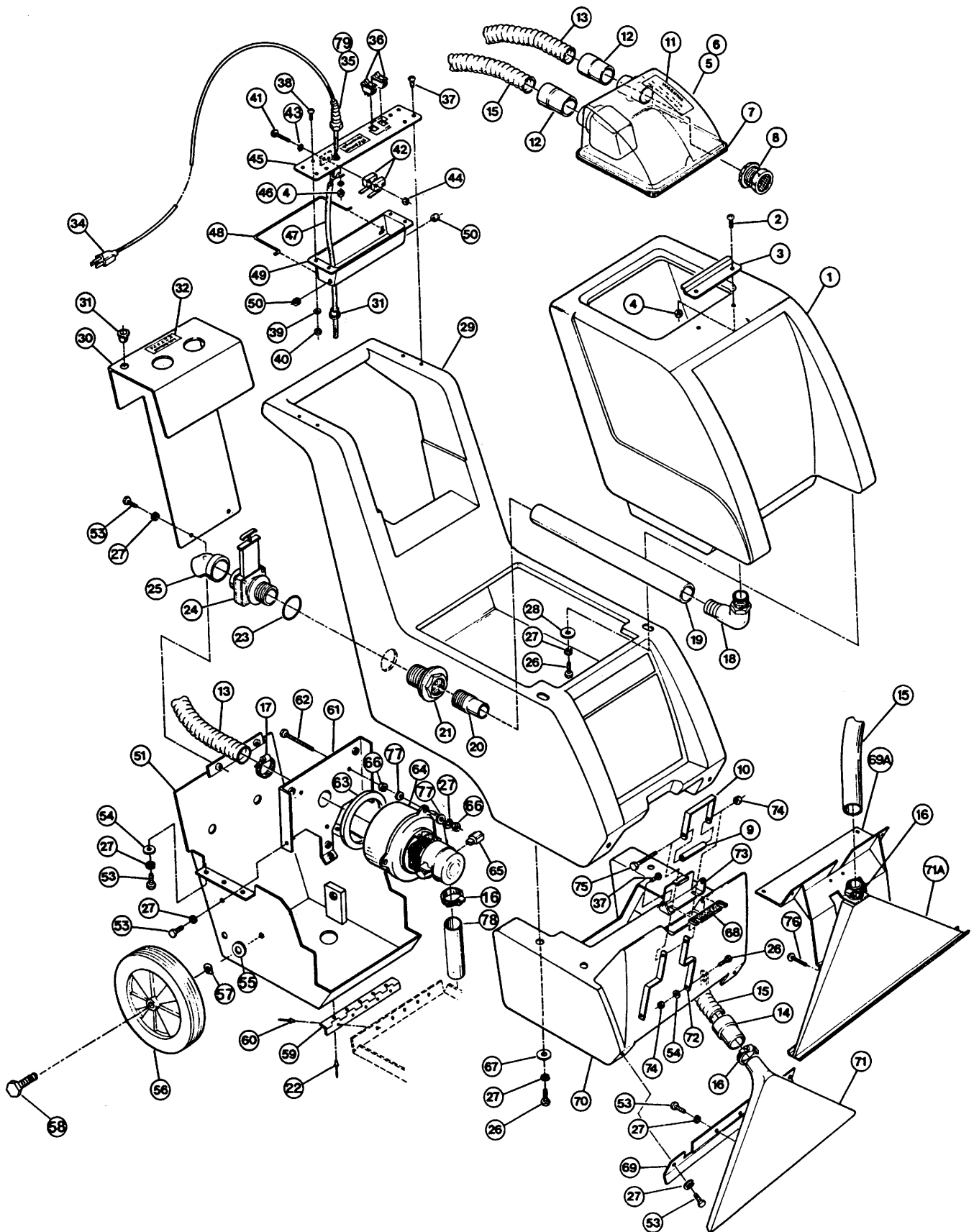
2. Pump Replacement:
 - a) Remove the lift stop handle as described in "drive belt adjustment/replacement" procedure in 1a.
 - b) Tilt the machine backward as described in "drive belt adjustment/replacement" procedure in 1b.
 - c) Disconnect the black wire (#2) and the white wire from the bridge rectifier. Also, disconnect the ground wire (this will need to be respliced and reconnected to the ground wire on the brush motor when reassembling). Reference the electrical schematic.
 - d) Remove the two hoses from the pump. It is now fully exposed for replacement.
 - e) When reassembling after any repairs, make certain that all wire connections are properly plugged in and secure.
 - f) Reattach hoses and make sure all solution hoses connections are secure.

3. Vacuum Motor Replacement:
 - a) Remove the dome top and carefully turn the machine upside down.
 - b) Remove the two hex bolts at the base of the black panel on the back of the machine.
 - c) Remove the wheels in order to get at the hex bolts in step (d). Shoulder bolts hold the wheels on.
 - d) Then remove the six hex head bolts on both sides of the vacuum motor chassis.
 - e) Disconnect the two power leads and the ground wire coming through the back of the machine to the vacuum motor.
 - f) Tip the vacuum motor and brush chassis away from the machine and carefully feed the vacuum hose down through the back of the machine.
 - g) Then remove the three (3) bolts that hold the bracket for the vacuum motor. Remove the bracket.
 - h) Release the vacuum motor from the bracket by removing the three bolts which hold them together.
 - i) The vacuum motor can now be removed.
 - j) When reassembling after any repairs, make certain that all wire connections are properly plugged in and secure.
 - k) Avoid abrasive contact with sharp edges on the metal parts as injury can result.
 - l) Make sure all vacuum hose connections and wire connections are secure.

SCE-11 WIRING DIAGRAM



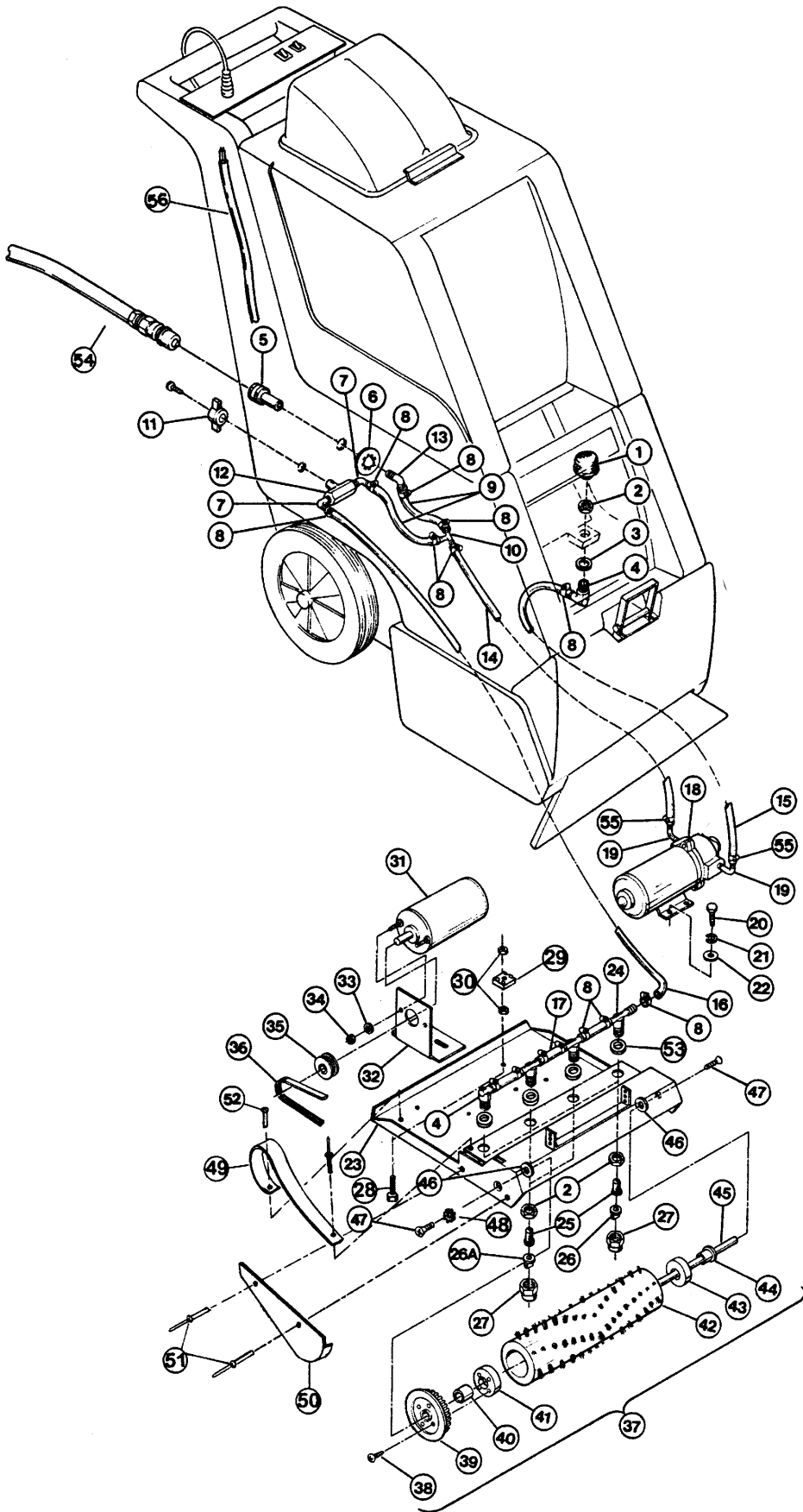
SCE-11 SELF CONTAINED EXTRACTOR - TANK & VACUUM MOTOR ASSEMBLY



ITEM	PART NO.	DESCRIPTION	QTY.
1	208662	Recovery Tank	1
2	W191D1	Screw #10-24 x 3/4 RHP SS	2
3	217201	Dome Clasp	1
4	W106D	Nut #10-24 Hex SS	3
5	215005	Dome Assembly w/Gasket	1
6	212704	Dome Assembly w/o Gasket	1
7	213405	Dome Gasket	1
8	3685	Intake Filter (3732 Scr.; 3733 PVC)	1
9	A12999	Lift Stop	1
10	A12998	Lift Handle	1
11	D161C	Decal: Add Defoamer	1
12	3698	Cuff Hose	2
13	3694	Hose 1 1/2" x 33" (part of 3691)	1
14	3735	Cuff Hose	1
15	3695	Hose 1 1/2" x 62"	1
16	S611A	Hose Clamp	1
17	S216P	Hose Clamp	2
18	A13007	Adaptor 90°	1
19	A13122	Drain Hose 1 1/4" x 1.25'	1
20	A13006	Adaptor: Reducing	1
21	S102P	Thru the Hull Fitting w/Gasket & Nut	1
22	930008	Pop Rivet	5
23	S400P6	O Ring	1
24	S400PB	Drain Valve	1
	S400P2	Drain Valve Seal Kit	1
	S400P3	T-Handle	1
25	S400PB4	Drain Elbow 2"	1
26	W189D	Screw 1/4-20 x 3/4 HH CS SS	10
27	980002	Lockwasher Split 1/4"	24
28	W212D	Washer 5/16" Fender Zinc	2
29	208663	Main Body - Black	1
30	3687	Back Plate	1
31	3739	Snap Bushing	2
32	D167C	Decal: Warning Disconnect	1
34	908104	Power Cord 50'	1
35	A13020	Strain Relief	1
36	911089	Switch Rocker	2
37	W136D1	Screw #8 x 1/2" THP SMS B/O	6
38	W387D	Screw #8-32 x 3/8 RHP M/S B/O	4

ITEM	PART NO.	DESCRIPTION	QTY.
39	980026	Washer #8 Int. Tooth	5
40	W143D	Nut: Hex #8-32 SS	4
41	W317D	Screw #4-40 x 1-1/4" PHP MS SS	2
42	3703	Switch - Momentary	2
43	W307D	Washer #4 Ext Tooth	2
44	W385D	Nut: #4-40 Hex w/Nyloc	2
45	3675	Switch Plate	1
46	980015	Washer #10 Ext Tooth	1
47	3716	Sleeve: Wiring	6"
48	3799	Actuator Bar	1
49	3686	Switch Enclosure	1
50	3710	Grommet	2
51	C12995	Chassis	1
53	W169D	Screw 1/4-20 x 1/2" HH CS SS	15
54	W104D	Washer 1/4" Flat SS	9
55	980005	Washer 1/2" Wave	2
56	229750	Wheel	2
57	509820	Washer: Fibre	2
58	960031	Shoulder Bolt	2
59	A129671	Hinge	1
60	W363D	Pop Rivet	7
61	C12996	Bracket: Blower Mounting	1
62	W362D	Bolt 1/4-20 x 4 1/2" HH	3
63	603473	Gasket Blower (effective 11/00)	1
64	A13504	Blower 3-Stage 115V	1
65	210901	Carbon Brush for A13504 Motor	2
66	920004	Nut 1/4-20 Hex SS	7
67	W311D	Washer 1/4" Fender	6
68	213403	Gasket: Lift Bracket (S791N1)	1
69	A13439	Bracket: Vac Head	1
70	C13118	Shroud	1
71	C13382	Head: Vacuum	1
72	B13000	Lift Bar	2
73	B13126	Hanger Bracket	1
74	920011	Nut 1/4-20 Nyloc	3
75	W340D	Screw 1/4-20 x 3 3/4 HH SC	1
77	980004	Washer 1/4" Flat	6
78	S209P	Hose: Exhaust 6"	1
79	920616	Nut 1/2 NPT	1

SCE-11 SELF CONTAINED EXTRACTOR - PUMP & CHASSIS ASSEMBLY



ITEM	PART NO.	DESCRIPTION	QTY.
1	S626P	Strainer	1
2	W166D	Brass: Jam Nut	5
3	S372P	Washer: Nylon	1
4	211310	90° Jet Body 3/8	2
5	203308	Quick connect 1/4 Female	1
6	920620	Nut, .875 Stud	1
7	3770	Elbow: Barb 1/8 to 3/8	2
8	202050	Clamp: Hose	14
9	S250P	Hose (Order 6")	2
10	3766	Tee: Barb 3/8 Nylon	1
11	A13151	Knob	1
12	3824	Spool Valve w/Knob	1
13	3771	Elbow: Barb 1/4 to 3/8	1
14	S250P	Hose (Order 36")	1
15	S250P	Hose (Order 36")	1
16	S250P	Hose (Order 36")	1
17	S250P	Hose (Order 6")	3
18	3785V	Pump: 100 PSI 115V	1
	204557	Pump Head Complete	1
19	3765	Elbow: Barb 3/8	2
20	W169D	Screw 1/4-20 x 1/2 HH MS	6
21	980002	Washer 1/4" Lock	6
22	W104D	Washer 1/4" Flat	6
23	C12988	Chassis: Brush	1
24	211309	Tee: Jet Body	3
25	S280P	Strainer/Check Valve: Brass	4
26	S962P	Jet Tip (8002) Note: 2 Outside Jet Tips	2
26A	A13013	Jet Tip (11002) Note: 2 Inside Jet Tips	2
27	211501	Jet Cap	4

ITEM	PART NO.	DESCRIPTION	QTY.
28	W205D	Screw #8-32 x 1" Nylon M/S	1
29	A13445	Rectifier	1
30	920617	Nut #8-32 Hex Nylon	2
31	A13017	Motor: Brush Drive 115V	1
32	200870	Bracket: Brush Motor	1
33	W124D	Washer: Lock #10 Int Tooth	2
34	W329D	Nut #10-32 Hex	2
35	3719	Cog: Drive Motor	1
36	3723	Belt: Drive Brush	1
37	7560	Brush Assembly	1
38	962062	Screw #6 x 3/4" SMS	4
39	3718	Cog: Brush	1
40	3677	Bearing: Rulon	1
41	3722	Insert: Drive Brush	1
42	3689	Brush	1
43	3721	Insert: End Brush	1
44	A13084	Bearing: Rulon	1
45	A12954	Brush Shaft	1
46	980612	Washer: Nylon	2
47	W353D	Screw 1/4-20 FHP MS SS w/Nylon	2
48	980032	Washer 1/4" FH Lock	2
49	213603	Splash Guard	1
50	213602	Belt Guard	1
51	W363D	Pop Rivet	3
52	W171D	Screw 6-32 x 1/4 RHP MS	1
53	218206	Spacer - Spray Jets	4
54	F920W	Pump Out Hose	1
55	S453P	Clamp-Hose	2
56	9600	Wiring Harness Assembly	1

WARRANTY POLICY
EXTRACTOR, SELF CONTAINED, SCE-11

The **Pacific Floorcare SCE-11** self contained extractors have been manufactured, tested and inspected in accordance with specific engineering requirements and are **WARRANTED** to be free from defects in workmanship and materials as follows:

Five (5) years parts, One (1) year labor - Rotationally molded polyethylene components

One (1) year parts and labor – All other components unless excluded below.

This warranty extends to the original user/purchaser and only when used, operated and maintained in accordance with **Pacific** Operating and Maintenance instructions.

This warranty does not apply to the following wear parts and accessories of the machine including:

<u>Part Number</u>	<u>Part Name</u>
908104	Cord Assembly
229750	Wheel
S962P	Jet Tip
A13013	Jet Tip
3723	Belt
3689	Brush
210901	Carbon Brush, 115V Motor
3685	Intake Filter
S626P	Strainer
S280P	Strainer/Check Valve
F920W	Pump Out Hose

Nor does it apply to damage or failure caused by improper use, abuse or neglect. Warranty credit or replacement of return parts including motors, etc., is subject to incoming inspection of those items.

To secure repair under this warranty, the following procedure should be taken:

- The inoperative machine or warranted parts must be delivered to the authorized dealer with shipping and delivery charges prepaid. If unable to locate the Dealer, you may contact **Pacific** at the address listed herein for the location of the nearest **Pacific** repair center or agent or for other instructions pertaining to your warranty difficulty.
- Upon compliance with the above warranty procedure, all warranted repairs would be completed at no additional charge or cost to the user.
- Only **Pacific** or its authorized dealers and agents may make no charge warranty repairs on this product. All others do so at their own risk.

This warranty limits **Pacific** liability to the repair of the product and/or warranted parts replacement and does not include incidental or consequential damages arising from the use of a **Pacific** machine whether defective or not.

This warranty is in lieu of all other expressed or implied warranties and is extended to the original purchaser/user.



PACIFIC™
F L O O R C A R E

PURPOSE BUILT.™

2259 S. SHERIDAN DRIVE
MUSKEGON, MICHIGAN 49442-6252
800-968-1332
FAX 800-863-9536