

Trusted Clean

LOW SPEED FLOOR MACHINE OWNERS MANUAL & PARTS LIST

This equipment is intended for commercial use only



TPL-SS-17-TC

1-888-722-5508

WHEN THE MACHINE IS DELIVERED

Check the carton carefully for signs of rough handling. Remove the machine from the carton. If the machine is damaged, notify the carrier IMMEDIATELY and request an inspection. Be sure to keep the carton, packing inserts, packing lists and carrier's receipt until the inspector has verified your claim.

CleanFreak's liability ceases when the carrier picks up the shipment but our customer service staff will be glad to furnish any information needed in connection with the claim and will expedite repair of the machine.

BEFORE OPERATING THE MACHINE

Read the manual carefully and completely before attempting to operate the unit. This manual has important information for the use and safe operation of the machine. Keep this manual handy at all times. This machine will assure years of satisfactory service if operated and maintained according to recommendations in this manual. If additional information is needed, please contact your local distributor or write to:

**CleanFreak
P.O. Box 569
Wausau, WI 54402**

All information and specifications printed in the manual and parts list are current at the time of printing; however, because of CleanFreak's policy of continual product development, we reserve the right to make changes at any time without notice.

WARRANTY

To protect your investment, promptly fill in the required information on the warranty card that comes with the unit and mail it back.



WARNING

To reduce the risk of fire, electric shock, or injury:

- Do not operate the machine unless trained and authorized.
- Do not leave the machine when plugged in. Unplug from the outlet when not in use, before servicing, and when changing the brushes or pads.
- Use indoors only.
- Do not allow to be used as a toy. Close attention is necessary when used by or near children.
- Do not bypass or defeat the safety "lock-out lever."
- The machine was designed for use as per instruction and recommendations written in this manual. Any deviation from its proper use or purpose and the consequential damage that may occur is the sole responsibility of the end user.
- Do not use with damaged cord or plug. If the machine is not working as it should, or it has been dropped, damaged, left outdoors or dropped into water, return it to an authorized service center.
- Do not pull or carry by cord, use cord as handle, close a door on the cord or pull cord around sharp edges or corners. Do not run machine over cord. Keep cord away from heated surfaces.



WARNING (Continued)

- Do not unplug by pulling on cord. To unplug, grasp the plug, not the cord.
- Do not handle plug or appliance with wet hands.
- Make sure the machine is plugged into an electrical outlet with the same voltage and frequency rating as shown on the nameplate of the machine. Do not attempt to plug a 115- volt machine into a 230- volt outlet.
- Do not immerse or use this machine in standing water. Such use can cause electric shock.
- Keep the electrical supply cord from contacting the rotating brush or drive block.
- Do not expose machine to freezing temperatures.
- To avoid electric shock, do not expose the unit to rain. Store indoors only.
- Connect to a properly grounded outlet only. See “Grounding Instructions.”
- Turn off all controls before unplugging.
- When using an extension cord, use a 3 conductor grounding cord, 12 gauge wire or heavier.
- Do not put any object into openings. Do not use with any opening blocked. Keep free of dust, lint, hair and anything that may reduce air flow.
- Do not operate machine in flammable or explosive areas.
- All servicing of CleanFreak’s equipment should be performed by a CleanFreak authorized service center.
- Keep hair, loose clothing, fingers and all parts of body away from openings and moving parts.
- Use extra care when cleaning on stairs. When servicing machine, use manufacturer’s supplied or approved replacement parts.

FAILURE TO COMPLY WITH THE WARNING INSTRUCTIONS WILL VOID THE WARRANTY.

GROUNDING INSTRUCTIONS

Machine must be grounded. If it should malfunction or breakdown, grounding provides a path of least resistance for electrical current to reduce the risk of electric shock. This machine is equipped with a cord having an equipment-grounding plug. (Fig 1.) The plug must be plugged into an appropriate outlet that is properly installed in accordance with all local codes and ordinances. Do not remove ground pin; if missing, replace plug before use.

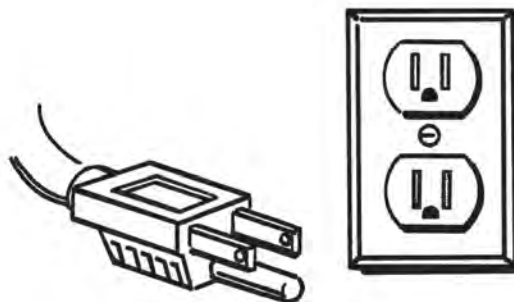


Fig. 1

PREPARING THE MACHINE FOR OPERATION

Your floor machine will operate in a wide variety of hard floors and carpet cleaning applications. Consult with your local dealer or CleanFreak's Customer Service to select the correct accessories for the job you are going to perform.

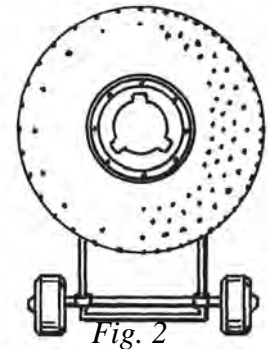
BRUSH AND PAD DRIVER INSTALLATION

⚠ WARNING: Make sure the power cord is disconnected from the electrical outlet before installing or removing the brush or pad driver from the machine.

Brush & Pad Driver installation:

Lock the handle in the upright position and tip the machine back so it rests on the handle and wheels. Fit the three slots of the clutch plate in the back of the brush or pad driver over the three lugs of the drive plate. Push it firmly into position and turn it counterclockwise until it locks in place. (Fig. 2)

To remove: Tip the machine back so it rests on the handle and wheels. Turn the brush or pad driver clockwise until it disengages and lifts off. Do not store the machine with the brush or pad drivers installed.

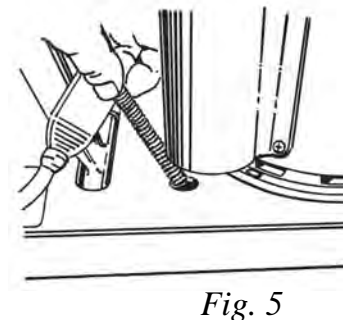
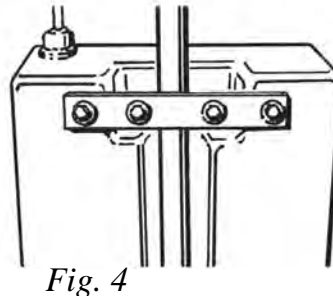
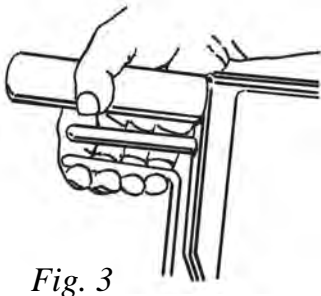


SHAMPOO TANK INSTALLATION

Position the shampoo tank in front of the floor machine with the water release lever of the shampoo tank resting below the floor machine lever. There should be enough room for you to pull the shampoo tank lever without accidentally pulling the floor machine lever. (Fig. 3)

Attach the tank to the machine using the two "V" bolts already included on the tank. (Fig. 4)

The base of the shampoo tank has a solution hose connected to it on one end. Insert the other end of the solution hose in the motor frame. (Fig. 5)



MACHINE OPERATION

1. Install the pad driver and pad, brush or attachment.
2. Plug in machine.
3. Lower the handle to the desired operating position.
4. Place both hands on the handle grips with your fingers around the on/off lever which extends from one side to the other underneath the handle grips.
5. The safety “lock-out” lever is located underneath the right side handle grip and switch lever. To unlock the “lock-out” lever, use your right hand fore finger to press the lever down toward the back of the switch box. (Fig. 6)
6. While still pressing the lever, pull the on/off switch lever to start the machine, then release the “lock-out” lever. The “lock-out” lever will automatically engage when you release the on/off switch lever.

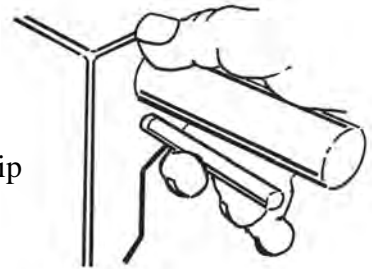


Fig. 6

TO MANEUVER YOUR FLOOR MACHINE

1. Raise the handle slightly and the machine will go to the right. The higher you raise it, the faster it will go.
2. Lower the handle and the machine will go left. The more you lower it, the faster it will go.
3. Practice on a smooth surface until you gain experience in operating the unit.

TO RE-ADJUST THE HANDLE-LOCK MECHANISM

Unlock the handle and place it in the upright position. Tighten the adjusting nuts until there is a slight drag when the handle is raised or lowered. (Fig. 7)

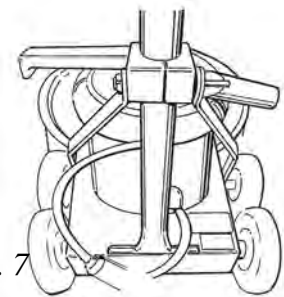
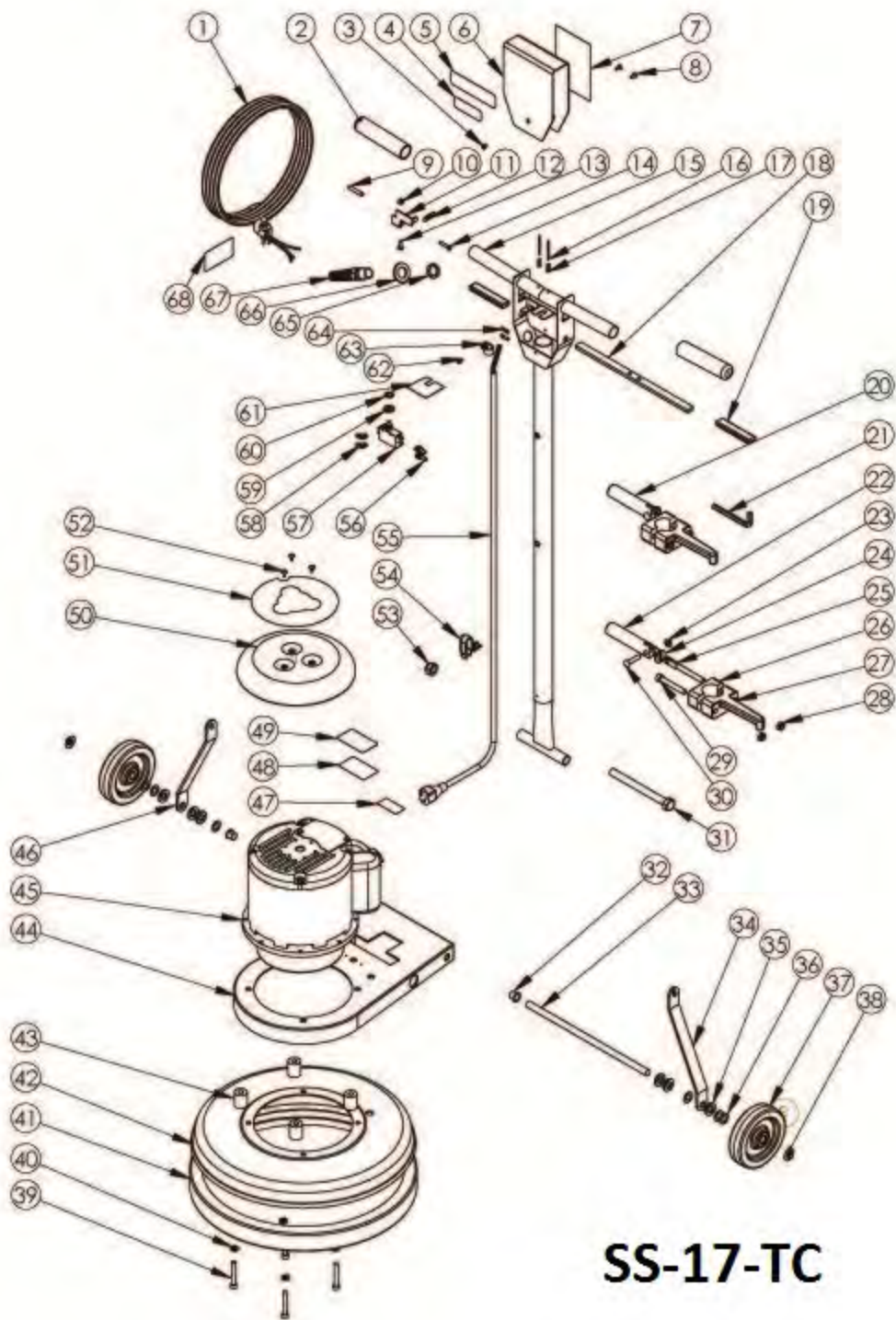


Fig. 7

CLEAN UP & STORAGE

1. Unplug and wrap it under the cord hook and around the left side handle grip. Clean the cord and inspect it for cuts, gashes and loose prongs.
2. Wipe down the machine and store in clean dry place.

⚠️ WARNING: Do not store the machine with the drive block, pad driver or brush on the machine.



SS-17-TC

SS-17-TC

ITEM #	SS-17-TC	DESCRIPTION	QTY
1	B11487	POWER CORD, 14-3, 50 FT, SJTW	1
2	K11498-BLUE	GRIP, BLUE	2
3	C11528	SCREW, 10-32 X .25IN	1
4	H12066	LABEL, 1.5 HP	1
5	H11908	LABEL, TRUSTED CLEAN	1
6	D11496C	SWITCH BOX COVER, CHROME	1
7	H11493	LABEL, SAFETY, FLOOR MACHINE	1
8	C11529	SCREW, 10-32 X .375 IN	2
9	K11519	LEVER GRIP, LOCKOUT, BLACK	1
10	C00278	LOCKNUT, 10-32, NYLON, SS	1
11	D11494	LOCKOUT BRACKET	1
12	D11524	SPRING, LOCKOUT	1
13	C90007	SCREW, 10-32 X .625 PHILLIP, TRUSS HEAD, SS	1
14	C11491	SCREW, 10-32 X 1 IN SS	1
15	D11479	HANDLE, CHROME FLOORMACHINE	1
16	C00306	ROLL PIN, .125 X 1.75	2
17	D11523	SPRING, TRIGGER	2
18	D11495	TRIGGER, ZINC PLATED	1
19	K11520	LEVER GRIP, TRIGGER BLACK	2
20	11507A	ASSEMBLED LOCKING HANDLE, CORD HOOK	1
21	C11619	ALLEN WRENCH, .31 IN	1
22	D11497	HANDLE, LOCKING CLAMP	1
23	C11538	CAP NUT, .31 IN. PUSH-ON	1
24	C00259	WASHER, SLOTTED, ZINC	1
25	C11536	SPADE BOLT, .375-16 X 4 IN	1
26	D11507	CORD HOOK CLAMP	1
27	D11507-2	CORD HOOK BODY	1
28	C11558	LOCKNUT, BLACK OXIDE, THIN	2
29	C11502	SOCKET CAP SCREW, .375-16 X 2.5 IN	1
30	C11537	DOWEL PIN, .31 X 1.5 IN	1
31	C13101	SCREW, HEX CAP, M14-2.0	1
32	K00674	BUSHING, .50 IN NYLON	2
33	D11510	AXLE, FLOOR MACHINE	1
34	D11482	HANDLE BRACE, RIGHT, BLACK	1
35	C00240	WASHER, SHOULDER, NYLON	6
36	C11559	WASHER, .515 X .875 X .032	6
37	G11943	WHEEL, 5 IN	2
38	C11538	CAP NUT, .5 IN PUSH-ON	2
39	C11501	SOCKET CAP SCREW, .31-18	4
40	C00251	LOCKWASHER, .31, SPLIT	4
41	E11477-BLUE	BUMPER, 17 IN FLOOR MACHINE, BLUE	1
42	D11485-SS	BRUSH COVER, 17 IN STAINLESS	1
43	K11521	SPACER, BASE, FLOOR MACHINE	4
44	D11483C	FRAME, MOTOR, CHROME	1
45	G11468	MOTOR W/ GEARBOX, 1.5 HP	1
46	D11481	HANDLE BRACE, LEFT, BLACK	1
47	H10976-1	LABEL, UL STD 561-507	1
48	H00565-16	LABEL, SERIAL #, GENERIC	1
49	H03545	COVER, SERIAL #, LABEL	1
50	D11490C	DRIP COVER, CHROME	1
51	H11909	LABEL, SATURN, DRIP COVER	1
52	C11916	SCREW, 10-32- X .375 PHILLIPS	3
53	C13100	NUT, M14-2.0 NYLON INSERT	1
54	B10734	STRAIN RELIEF, HANDLE	1
55	B11513	CORD, HANDLE, 14-3 SJTW	1
56	B11762	TERMINAL LUG, NYLON, FEMALE	2
57	B11465	SWITCH, DPST, PUSHBUTTON	1
58	B00177	TERMINAL LUG, FEMALE, QD, .25 X .032	2
59	C00252	WASHER, .375 IN FLAT	1
60	C11541	WASHER, .375 IN STAR	1
61	B11518	SWITCH INSULATION	1
62	C00284	SCREW, 10-32 X .375 GROUND	1
63	B00187	CABLE CLAMP, NYLON, .43 IN	1
64	B00180-10-3	RING TERMINAL, #10 CENTER	2
65	B11505	STRAIN RELIEF NUT, METAL	1
66	C11560	WASHER, .93 IN X 1.5OD	1
67	B11504	STRAIN RELIEF, METAL	1
68	H02548-2	LABEL, IMPORTANT CARD	1

NOTES

*Trusted
Clean*

REVISED 01/25/2013