

## HEATED CARPET DETAILER WARRANTY

The heated carpet detailer is warranted to be free from defects in material and workmanship. The warranty is limited as follows:

<u>Component</u>	<u>Term of Warranty</u>
Rotational molded parts	3 years
Pump	1 year
Vacuum motor	1 year
Heating element	1 year

The warranty does not apply to certain consumable or wear parts such as:

Motor carbon brushes	Bearings
Hoses & hose fittings	Filters & gaskets

The warranty does not apply to damage or failure caused by abuse, misuse, neglect, disassembly, alteration, unauthorized modification or repair, lack of proper maintenance, theft or damage by freight carriers. The warranty applies to parts, labor, and ground freight only.

In order to obtain parts warranty, the following procedures must be followed:

1. Customer must call the Distributor for an RGA (Return Goods Authorization) Number.
2. The defective part must be returned via ground freight prepaid to the Distributor with an RGA number accompanied by a copy of the original purchase invoice. We are not responsible for the cost of packaging inbound freight, nor inbound freight damage. Pack machine carefully.
3. Only the Distributor or its authorized dealers may make warranty repairs on the heated carpet detailer. Others do so at their own risk and expense.

This warranty limits the Distributor's liability for defects in workmanship or materials to replacement of defective parts only. The Distributor will not be liable for incidental or consequential damages arising from the use of any of its products, whether defective or not.

The need for proper maintenance and care for this product cannot be overstated. Poor maintenance, neglect or abuse can prove to be very expensive. Never leave your machine in a truck or other outside storage area where there is a potential for freezing.

1. Pumps carry a 1 year warranty. However coverage may be denied if there is evidence of the use of chemicals in the solution tank, fiber/hair build-up in the pump chamber, or water damage to the electrical portion of the pump.
2. Vacuum motors carry a 1 year warranty. Motors showing any of the following signs of abuse will be excluded from coverage:
  - a. Signs of moisture in or on the fan/motor chamber area. (This means that if water or foam has been sucked through the motor the warranty is voided.)
  - b. Dirty motors, where failure has been caused by inadequate filtrating.
  - c. Motors where excessive wear indicates that the motor has been used to the full extent of its normal life expectancy, regardless of the date code stamp.

Your have purchased a quality product. Each of its components has been tested and approved for use. It is unlikely that you will ever have a warranty claim if you properly maintain this machine.

**This warranty is non-transferable.**

## PROTECT YOUR WARRANTY!

Read carefully, any questions regarding the care and safety of this unit, please contact your local distributor.

Distributor Contact: \_\_\_\_\_

Distributor Phone: \_\_\_\_\_

Date of Purchase: \_\_\_\_\_

# OWNER'S MANUAL

## HEATED CARPET DETAILER



You have just purchased one of the finest and most desirable devices for automotive and boat detailing.

Read the following information to obtain maximum performance and to acquaint yourself with your new heated carpet detailer.

### BEFORE YOU START:

- SAFETY
- OPERATION
- PARTS
- TROUBLESHOOTING
- RETURN GOODS POLICY
- WARRANTY



**READ and UNDERSTAND** this material before operating or servicing this equipment. Failure to understand how to safely operate this tool could result in an accident causing injury or death.

**INTRODUCTION**

This manual is designed to make your job easier. However, there is nothing more important than the safety aids and instructions that are found throughout this document. The Safety Alert Symbol is used to identify topics of primary safety concern wherever they appear. Further, a separate section has been included, "Important Safety Instructions," which deals mainly with accident prevention concepts.

User experience provides the best feedback. We welcome your comments and suggestions.

**Purpose of this Manual**

This instruction manual is intended to familiarize operators with safety and maintenance procedures.

This manual should be kept available to all operating and maintenance personnel.



**SAFETY ALERT SYMBOL**

The symbol above is used to call your attention to instructions concerning your personal safety. Watch for this symbol. It points out important safety precautions. It means **"ATTENTION! Become alert! Your personal safety is involved!"** Read the messages that follow and be alert to the possibility of personal injury or death.

**! DANGER**

Immediate hazards which, if not avoided, WILL result in severe personal injury or death.

**! WARNING**

Hazards or unsafe practices which, if not avoided, COULD result in severe personal injury or death.

**! CAUTION**

Hazards or unsafe practices which, if not avoided, COULD result in minor personal injury or property damage.

Safety is a critical factor in the design of our equipment. The best program starts with a safety conscious operator. The information highlighted in this manual describes operating practices for the benefit of the workers who will use our equipment in their daily jobs. Comments from users are appreciated.

**SPECIFICATIONS**

Hose Length	10 ft./ 16ft.
14 Gauge Power Cord Length	15 ft./50 ft.
Tool	Stainless Steel
Heated Solution Tank	180°F
Solution Tank Capacity	1.5 Gallons
Recovery Tank Capacity	2 Gallons
Piston Pump	60 PSI
Heating Element	1400 Watt
Power Requirement	Less than 15 Amps
Circuit Breaker	20 Amp
Vacuum Hose	1 1/4" ID
Solution Hose	3/16" ID
Machine Weight	33 lbs / 39 lbs*
Dimensions	H-18" L-18" W-13"

\*Additional weight due to longer hose and power cord

Both units have an Integrated Float/Temperature Gauge and maneuver easily on 2 inch casters. Applications include auto and boat detailing, commercial and household carpet and upholstery cleaning.

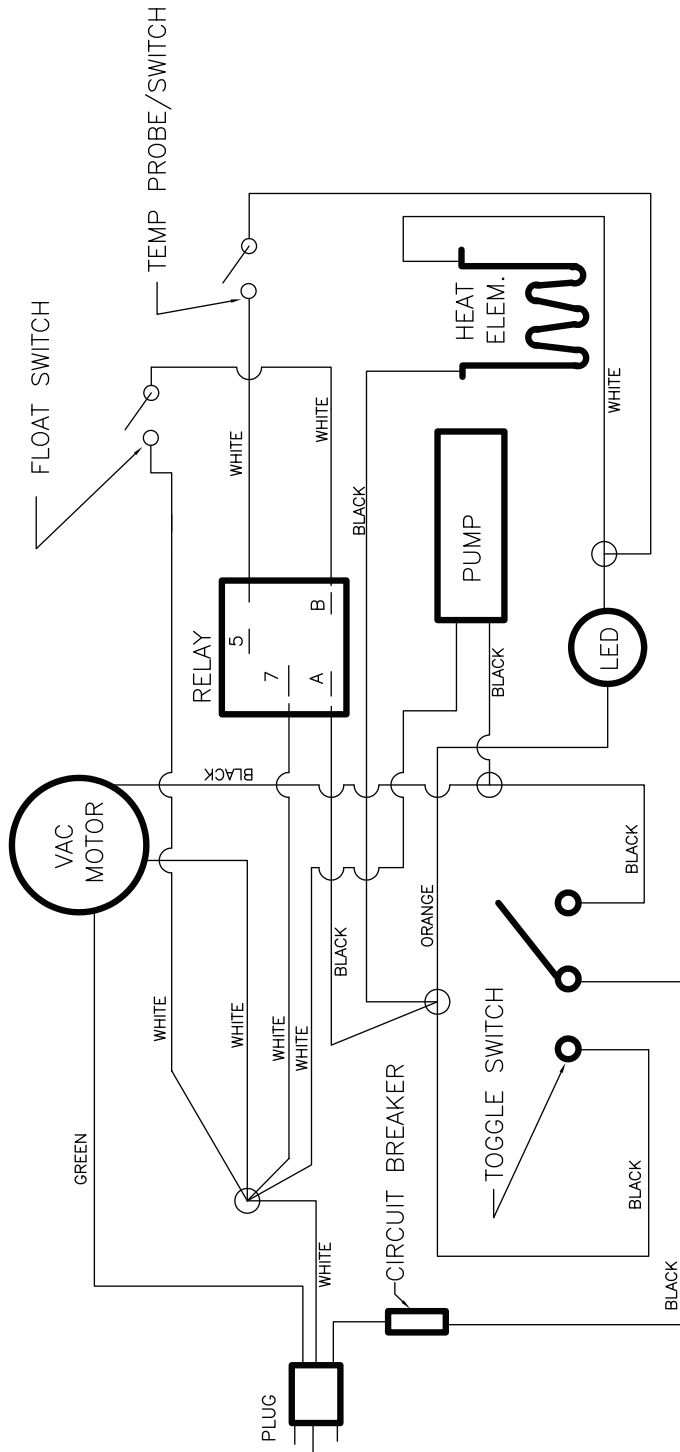
**TROUBLESHOOTING**

PROBLEM	POSSIBLE CAUSE	REMEDY
Will not heat (but vacuum comes on).	Water level too low.	Fill water to top edge of lid ring.
No solution from spray nozzle tip.	Nozzle tip clogged. Check quick-disconnect fitting. Solution tank empty. Pump failed. Kinked solution hose.	Disassemble and clean. Reconnect fitting onto machine. Refill water to top edge of lid ring. Replacement required. Straighten hose.
Poor water pickup.	Vacuum hose cuff is not firmly pushed onto recovery tank fitting. Vacuum motor intake filter is clogged. Vacuum gasket between tanks is worn or damaged. Recovery tank lid not sealing. <b>DEFECTIVE MACHINE! DO NOT ATTEMPT TO REPAIR!</b> Left exposed in freezing conditions. Defective pump seal.	Push hose cuff onto fitting. Check for cracks in hose. Remove and clean filter. Replace gasket. Replace or tighten lid. Unplug immediately and call factory Service Center or the point of purchase. Refer to Service Center. Replace pump.
Overheats and boils water.	Float level switch in solution tank may be damaged. Thermostat failure.	Replace float switch. Replace thermostat.
Plugged into outlet, nothing comes on. circuit.	Overloaded circuit breaker.	Circuit breaker reset. Unplug other electrical items on same circuit.

**COMMON STAINS AND TREATMENT METHODS**

STAIN TYPE	TREATMENT MATERIAL	STAIN TYPE	TREATMENT MATERIAL
Asphalt	Volatile solvent, Detergent	Egg (raw)	Liquid detergent
Beer	Liquid detergent, White vinegar	Food dye	Liquid detergent, Water
Berry stain	Liquid detergent, Ammonia 3-6%, Water	Furniture dye polish	Paint/Oil/Grease remover, Detergent
Bleach	Liquid detergent, Water	Gravy	Liquid detergent
Blood (dried)	Warm detergent, Ammonia 3-6%, Water	Lipstick	Paint/Oil/Grease remover
Blood (wet)	Liquid detergent, Water	Mascara	Paint remover, Volatile solvent, Detergent, Water
Butter	Volatile solvent	Milk	Liquid detergent
Catsup or mustard	Liquid detergent	Orange drink	Liquid detergent, Water
Chewing gum	Volatile solvent	Shoe polish	Heated iron into clean towel, Volatile solvent
Chocolate	Liquid detergent, Ammonia, Water	Tea	Liquid detergent
Coffee	Detergent, White vinegar, Volatile solvent	Tomato juice	Liquid detergent
Cola drink	Liquid detergent	Urine	Liquid detergent, Water
Crème de Menthe (green) Liquid detergent		Vomit	Warm detergent, Water, White vinegar
		Wine	Liquid detergent, Ammonia 3-6%, Water, vinegar

WIRING DIAGRAM



**IMPORTANT SAFETY INSTRUCTIONS**

Anyone designated to operate this equipment must, without fail, read and understand these instructions before attempting to operate the equipment.

**! WARNING**

To reduce the risk of fire, electric shock, or injury:

- Always use a grounded electrical outlet.
- Turn off all controls before unplugging.
- Always disconnect electrical cable from outlet before attempting adjustments or repairs.
- Do not leave the appliance when it is plugged in. Unplug the unit from the outlet when not in use and before servicing.
- Do not unplug by pulling on the cord. To unplug, grasp the plug, not the cord.
- Do not operate if power cords, hoses, etc. are cracked, frayed, leaking or otherwise in need of repairs. Replace the entire cord when the cord or plug is damaged in any way.
- Do not handle the plug, cord or appliance with wet hands.
- Do not operate in standing water.
- To avoid electric shock, do not expose to rain. Store indoors.
- Do not allow the unit to freeze.
- Do not pull or carry by the cord, use the cord as a handle, close a door on the cord or pull the cord around sharp edges or corners.

- Do not run the appliance over the cord. Keep the cord away from heated surfaces.
- Do not put any object into openings. Do not use with any opening blocked; keep free of dust, lint, hair, and anything that may reduce air flow.
- Keep loose clothing, hair, fingers, and all parts of body away from openings and moving parts.
- Do not operate under any unsafe conditions.
- Do not use to pick up flammable or combustible liquids such as gasoline or use in areas where they may be present.
- Never put flammable or explosive materials in this equipment. Never operate equipment in an environment where these materials are present.
- Use extra care when cleaning on stairs.
- Do not allow to be used as a toy. Close attention is necessary when used near children.
- Use only as described in this manual. Use only the manufacturer's recommended attachments.

**INTENDED USE**

The heated carpet spotter is intended for commercial use, cleaning and extracting floors, furniture, draperies and automobile interiors in an indoor environment. This machine is intended for wet pickup only. We do not recommend using these machines for any other purpose.

**! WARNING**  
Disconnect power before working  
Electric shock may occur

**! WARNING**  
A person who has not read and does not understand all operating instructions is not qualified to operate this tool.  
Failure to read and understand safety instructions may result in injury or death.

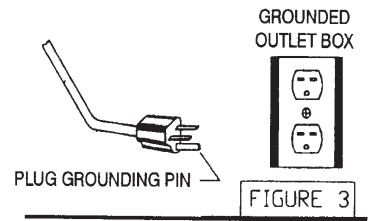
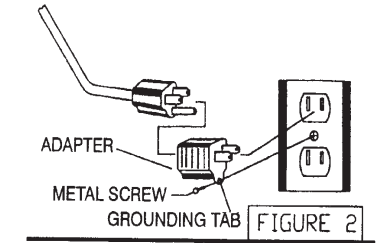
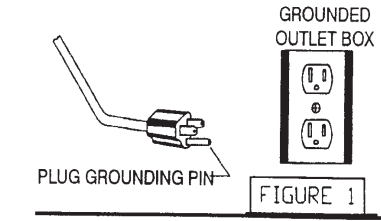
**SAVE THESE INSTRUCTIONS!**

**GROUNDING INSTRUCTIONS**

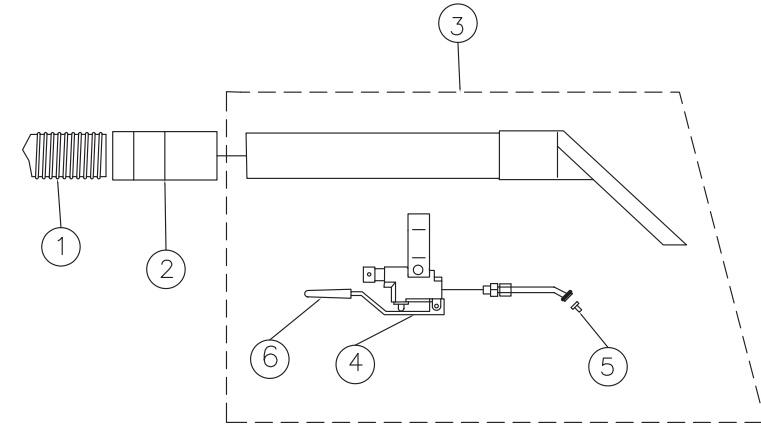
This appliance must be grounded. If it should electrically malfunction, grounding provides a path of least resistance for electric current to reduce the risk of electric shock. This appliance is equipped with a cord having an equipment grounding conductor and grounding plug. The plug must be plugged into an appropriate outlet that is properly installed and grounded in accordance with all local codes and ordinances.

**⚠ DANGER**

Improper connection of an equipment grounding conductor can result in risk of electric shock. Check with a qualified electrician or service person if you are in doubt as to whether the outlet is properly grounded. Do not modify the plug provided with the appliance. If it will not fit the outlet, have a proper outlet installed by a qualified electrician. This appliance is for use on a nominal 120 volt circuit, and has a grounding plug that looks like the plug illustrated in Figure 1. A temporary adapter illustrated in Figures 2 and 3 may be used to connect this plug to a two pole receptacle, as shown in Figure 2 if a properly grounded outlet is not available. The temporary adapter should be used only until a properly grounded outlet (Figure 1) can be installed by a qualified electrician. The green colored rigid ear, tab, or the like extending from the adapter must be connected to a permanent ground such as a properly grounded outlet box cover. Whenever the adapter is used, it must be held in place by a metal screw. Grounding adapters are not approved for use in Canada. Replace the plug if the grounding pin is damaged or broken. The Green (or Green/Yellow) wire in the cord is the grounding wire. When replacing a plug, this wire must be attached to the grounding pin only. Extension cords connected to this machine should be 12 gauge, three wire cords with three prong plugs and outlets. DO NOT use extension cords more than 50 feet (15 m) long.



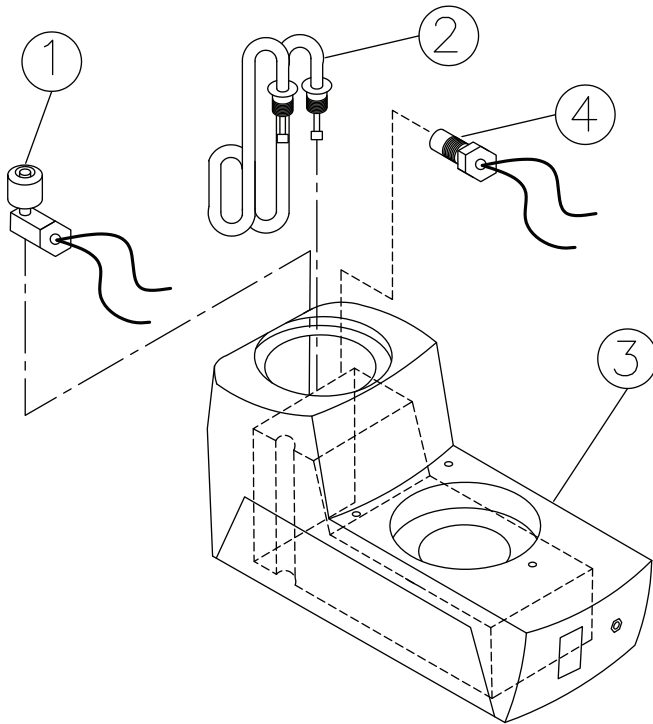
**RECOVERY HOSE ASSEMBLY**



**PARTS LIST FOR RECOVERY HOSE ASSEMBLY**

PART #	DESCRIPTION	PART #	QTY
1	FLEX VACUUM HOSE	S2-47	1
2	HOSE CUFF	S2-47-CUFF	1
3	SPOTTING TOOL (CLEAR)	S2-38	1
	DETAILING TOOL (S STEEL)	S2-38-CD	1
4	ALUMINUM SPRAY VALVE	S2-85	1
5	SPRAY JET	S2-89	1
6	LEVER COVER	S2-44	1

### SOLUTION TANK ASSEMBLY AFTER SERIAL #2534



#### SOLUTION TANK PARTS LIST

PART #	DESCRIPTION	PART #	QTY
1	FLOAT SWITCH	S2-21-90	1
2	HEATING ELEMENT	S2H-15-2006	1
3	SOLUTION TANK		
	BLUE	S2-01ST-SW	1
	RED	S2-01ST-DD	1
	BLACK	S2-01ST-BL	1
	GRAY	S2-01ST	1
4	TEMPERATURE PROBE	S2H-20	1

### PREPARING FOR USE AND OPERATING THE MACHINE

#### SPOTTING PROCEDURES PRIOR TO OPERATING MACHINE

- 1 Soak up excess liquids with a towel.
- 2 Test cleaner on a small inconspicuous area to make sure it will not damage the carpet fibers.
- 3 Apply appropriate spotter, following directions on bottle.
- 4 Start at outside edges of stain and work toward the center. Use a dabbing, not a rubbing action.
- 5 Repeat steps 3-4 if needed.

#### OPERATING THE MACHINE

#### **! WARNING**

**This machine is intended for hot water use only. Chemicals may be applied directly to the surface being cleaned. Use only nonflammable commercial chemicals intended for carpet application.**

- 1 UNPLUG machine before attempting to fill with water.
- 2 Pour up to 1 1/2 gallons of the warmest water possible (to shorten heating time) into the front solution tank. Tank must be at least half full before heating cycle will begin.
- 3 Toggle the power switch to "HEAT". The amber light will come on indicating the heating cycle has begun.
- 4 When water temperature reaches maximum heat, the amber light will go out and the machine is ready for use.
- 5 Toggle the power switch to "VACUUM".
- 6 Release water from nozzle until hot water transfers through the length of the vacuum hose.

#### **! CAUTION**

**Do not continue to use the machine after the Recovery Tank is FULL. This will damage the vacuum motor and is NOT COVERED UNDER WARRANTY.**

#### **! DANGER**

**HOT WATER! BE AWARE!  
WATER TEMPERATURE  
MAY EXCEED 180°F.  
USE CAUTION WHEN USING  
THIS MACHINE.**

#### **! WARNING**

**To reduce the risk of electric shock or injury, unplug the power cord before servicing.**

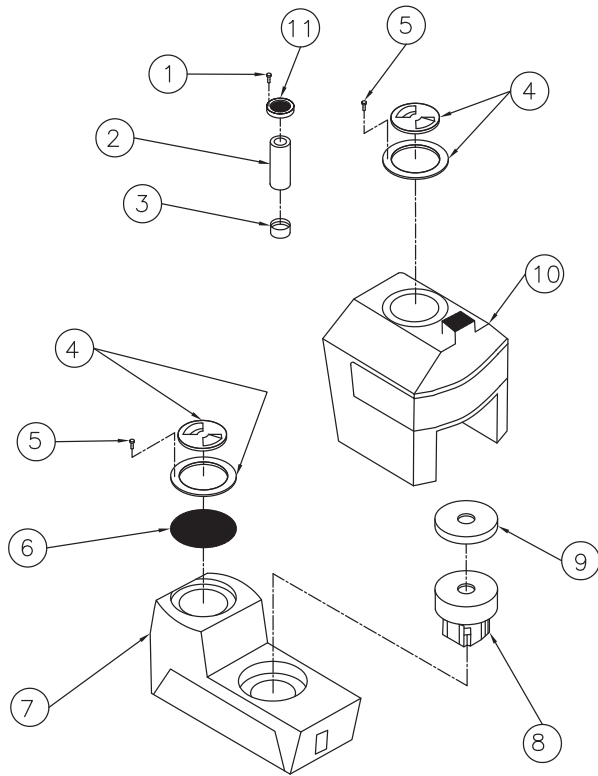
#### AFTER USE MAINTENANCE

At the completion of every use you must perform these simple procedures to ensure proper machine operation and cleaning performance.

- Turn Power Switch to the "OFF" position to turn both the vacuum motor and the solution pump OFF.
- DISCONNECT THE POWER CORD.
- Disconnect the Hose Assembly from the machine.
- Tip the Recovery Tank and drain through hose connection port.
- Tip the Solution Tank and drain unused water or solution. Rinse the tank thoroughly of any debris or cleaning chemical residue.
- Unscrew the tank covers and set aside to allow for air-drying and prevention of odor buildup.
- Remove the spray tips (1/4 turn) from the upholstery tool and put them in a glass or plastic container with a solution of 25% vinegar and water overnight to remove any residue.

**Note:** To flush out or clean the solution tank and hose, make a one-gallon solution of 25% vinegar and warm water, and pour it into the solution tank. Turn on the switch, spray until all of the solution has run through the pump and hose to remove any chemical residue. Failure to flush the solution system will result in poor spray patterns and corroded jet spray tips.

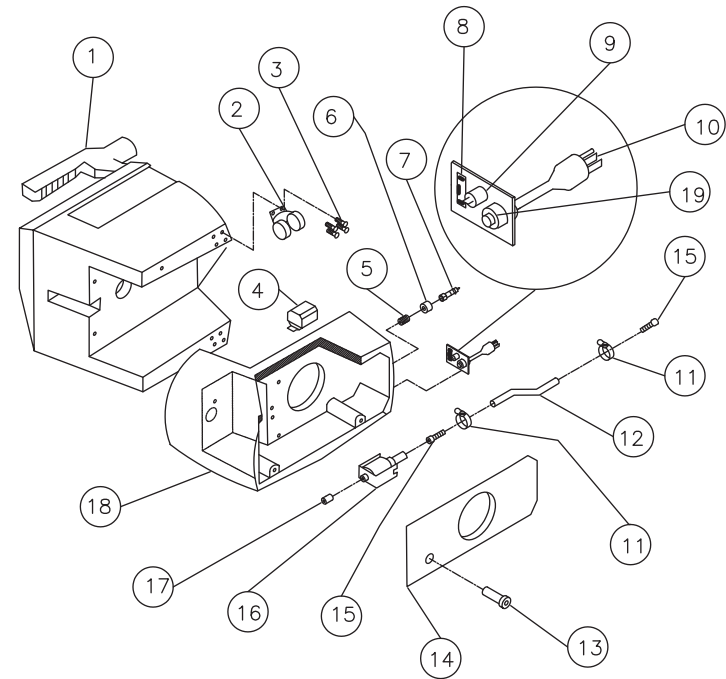
### TANK ASSEMBLY TOP VIEW



TANK PARTS LIST

PART #	DESCRIPTION	PART #	QTY
1	SCREW	S2-67	2
2	STACK TUBE	S2-02R	1
3	STACK ADAPTER	S2-03R	1
4	4" LID	S2-04	1
5	LID SCREW	S2-07	4
6	MESH GUARD	S2-33	1
7	SOLUTION TANK	BLUE S2-01ST-SW	1
		RED S2-01ST-DD	1
		BLACK S2-01ST-BL	1
		GRAY S2-01ST	1
8	VACUUM MOTOR	S2-19	1
9	VACUUM MOTOR GASKET	S2-20	1
10	RECOVERY TANK	BLUE S2-01R-SW	1
		RED S2-01R-DD	1
		BLACK S2-01R-BL	1
		GRAY S2-01R	1
11	STACK FILTER	S2-62	1

### TANK ASSEMBLY BOTTOM VIEW



TANK PARTS LIST

PART #	DESCRIPTION	PART #	QTY
1	RECOVERY TANK	BLUE S2-01R-SW	1
		RED S2-01R-DD	1
		BLACK S2-01R-BL	1
		GRAY S2-01R	1
2	SWIVEL CASTER	S2-10	3
3	SCREW	S2-28	12
4	RELAY	S2H-36	1
5	BRASS NIPPLE	S2-13	1
6	NYLON SPACER	S2-14	1
7	QUICK COUPLING	S2-12	1
8	TOGGLE SWITCH	S2H-35	1
9	AMBER LIGHT	S2H-33	1
10	CORD	15 FOOT S2-86	1
		50 FOOT S2-88-12	1
11	HOSE CLAMP	S2-26	1
12	HOSE	S2-25	1
13	CIRCUIT BREAKER	20AMP S2H-17-20	1
14	BOTTOM COVER	S2-27	1
15	HOSE BARB	S2-24	1
16	PUMP	S2-23	1
17	NIPPLE	S2-75	1
18	SOLUTION TANK	BLUE S2-01ST-SW	1
		RED S2-01ST-DD	1
		BLACK S2-01ST-BL	1
		GRAY S2-01ST	1
19	STRAIN RELIEF FOR 15 FT CORD	S2-37	1
	FOR 50 FT CORD	S2-37A	1