

SATURN

including HEAVY DUTY models

OWNER'S MANUAL & PARTS LIST

This equipment is intended for commercial use only



13LS1-SS/BK
13LS2-SS/BK
17LS2-SS/BK
17LS3-SS/BK
20LS2-SS/BK
20LS3-SS/BK

17DS3-SS/BK
20DS3-SS/BK
20HS1500-SS/BK
20HS2000-SS/BK
17HS2000F-SS/BK

EDIC

1753 Blake Avenue □ Los Angeles, CA 90031 □ (800) 338-EDIC Or (323) 660-1635 □ Fax (323) 667-0144

WHEN THE MACHINE IS DELIVERED

Check the carton carefully for signs of rough handling. Remove the machine from the carton. If the machine is damaged, notify the carrier IMMEDIATELY and request an inspection. Be sure to keep the carton, packing inserts, packing lists and carrier's receipt until the inspector has verified your claim.

EDIC's liability ceases when the carrier picks up the shipment but our customer service staff will be glad to furnish any information needed in connection with the claim and will expedite repair of the machine.

BEFORE OPERATING THE MACHINE

Read the manual carefully and completely before attempting to operate the unit. This manual has important information for the use and safe operation of the machine. Keep this manual handy at all times. This machine will assure years of satisfactory service if operated and maintained according to recommendations in this manual. If additional information is needed, please contact your local distributor or write to:

**EDIC
1753 Blake Avenue
Los Angeles, CA 90031-1006**

All information and specifications printed in the manual and parts list are current at the time of printing; however, because of EDIC's policy of continual product development, we reserve the right to make changes at any time without notice.

WARRANTY

To protect your investment, promptly fill in the required information on the warranty card that comes with the unit and mail it back to EDIC.



WARNING

To reduce the risk of fire, electric shock, or injury:

- Do not operate the machine unless trained and authorized.
- Do not leave the machine when plugged in. Unplug from the outlet when not in use, before servicing, and when changing the brushes or pads.
- Use indoors only.
- Do not allow to be used as a toy. Close attention is necessary when used by or near children.
- Do not bypass or defeat the safety "lock-out lever."
- The machine was designed for use as per instruction and recommendations written in this manual. Any deviation from its proper use or purpose and the consequential damage that may occur is the sole responsibility of the end user.
- Do not use with damaged cord or plug. If the machine is not working as it should, or it has been dropped, damaged, left outdoors or dropped into water, return it to an authorized service center.
- Do not pull or carry by cord, use cord as handle, close a door on the cord or pull cord around sharp edges or corners. Do not run machine over cord. Keep cord away from heated surfaces.

⚠ WARNING

- Do not unplug by pulling on cord. To unplug, grasp the plug, not the cord.
- Do not handle plug or appliance with wet hands.
- Make sure the machine is plugged into an electrical outlet with the same voltage and frequency rating as shown on the nameplate of the machine. Do not attempt to plug a 115- volt machine into a 230- volt outlet.
- Do not immerse or use this machine in standing water. Such use can cause electric shock.
- Keep the electrical supply cord from contacting the rotating brush or drive block.
- Do not expose machine to freezing temperatures.
- To avoid electric shock, do not expose the unit to rain. Store indoors only.
- Connect to a properly grounded outlet only. See "Grounding Instructions."
- Turn off all controls before unplugging.
- When using an extension cord, use a 3 conductor grounding cord, 12 gauge wire or heavier.
- Do not put any object into openings. Do not use with any opening blocked. Keep free of dust, lint, hair and anything that may reduce air flow.
- Do not operate machine in flammable or explosive areas.
- All servicing of EDIC's equipment should be performed by an EDIC authorized service center.
- Keep hair, loose clothing, fingers and all parts of body away from openings and moving parts.
- Use extra care when cleaning on stairs. When servicing machine, use manufacturer's supplied or approved replacement parts.

FAILURE TO COMPLY WITH THE ABOVE WARNING INSTRUCTIONS WILL VOID THE WARRANTY.

GROUNDING INSTRUCTIONS:

Machine must be grounded. If it should malfunction or breakdown, grounding provides a path of least resistance for electrical current to reduce the risk of electric shock. This machine is equipped with a cord having an equipment-grounding plug. (Figure 1) The plug must be plugged into an appropriate outlet that is properly installed in accordance with all local codes and ordinances. Do not remove ground pin; if missing, replace plug before use.

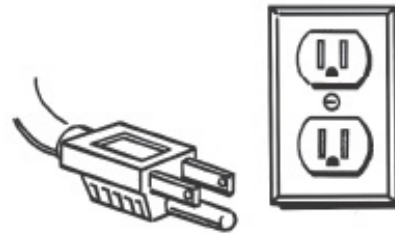


fig 1

PREPARING THE MACHINE FOR OPERATION:

Your floor machine will operate in a wide variety of hard floors and carpet cleaning applications. Consult with your local dealer or EDIC's Customer Service to select the correct accessories for the job you are going to perform.

BRUSH, PAD DRIVER, AND PAD INSTALLATION

⚠ WARNING: Make sure the power cord is disconnected from the electrical outlet before installing or removing the brushes, pad drivers or pads from machine.

BRUSH & PAD DRIVER INSTALLATION:

Lock the handle in the upright position and tip the machine back so it rests on the handle and wheels. Fit the three slots of the clutch plate in the back of the brush or pad driver over the three lugs of the drive plate. Push it firmly into position and turn it counterclockwise until it locks in place. (Figure 2)

To remove: Tip the machine back so it rests on the handle and wheels. Turn the brush or pad driver clockwise until it disengages and lifts off. Do not store the machine with the brush or pad drivers installed.

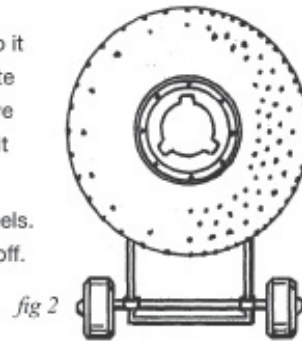


fig 2

PAD INSTALLATION:

To install pad, tilt the machine back on wheels until machine is resting on handle. Center the pad on the pad holder and insert pad center lock by twisting clockwise. Make sure the center lock is tight.

To remove: Twist the center lock counterclockwise

SHAMPOO TANK INSTALLATION (Dual & Low Speed Units Only)

Position the shampoo tank in front of the floor machine with the water release lever of the shampoo tank resting below the floor machine lever. There should be enough room for you to pull the shampoo tank lever without accidentally pulling the floor machine lever. (Figure 3)

Attach the tank to the machine using the two "V" bolts already included on the tank. (Figure 4)

The base of the shampoo tank has a solution hose connected to it on one end. Insert the other end of the solution hose in the motor frame. (Figure 5)

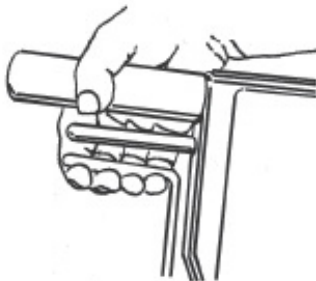


fig 3

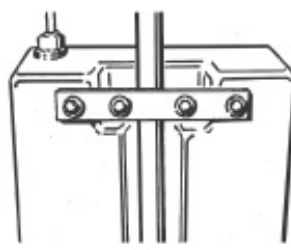


fig 4

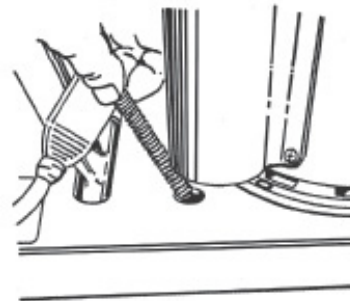
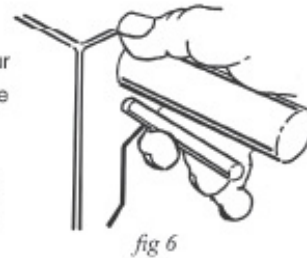


fig 5

MACHINE OPERATION

1. Install the pad driver and pad, brush or attachment.
2. Plug in machine.
3. Lower the handle to the desired operating position.
4. Place both hands on the handle grips with your fingers around the on/off lever which extends from one side to the other underneath the handle grips.
5. The safety "lock-out" lever is located underneath the right side handle grip and switch lever. To unlock the "lock-out" lever, use your right hand fore finger to press the lever down toward the back of the switch box. (Figure 6)
6. While still pressing the lever, pull the on/off switch lever to start the machine, then release the "lock-out" lever. The "lock-out" lever will automatically engage when you release the on/off switch lever.



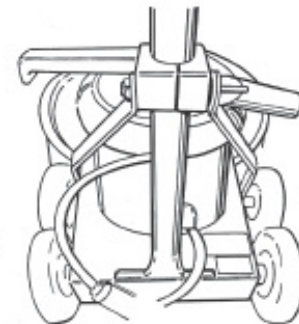
TO MANEUVER YOUR FLOOR MACHINE

1. Raise the handle slightly and the machine will go to the right. The higher you raise it, the faster it will go.
2. Lower the handle and the machine will go left. The more you lower it, the faster it will go.
3. Practice on a smooth surface until you gain experience in operating the unit.

TO RE-ADJUST THE HANDLE-LOCK MECHANISM

Unlock the handle and place it in the upright position. Tighten the adjusting nuts until there is a slight drag when the handle is raised or lowered. (Figure 7)

fig 7



TO ADJUST THE DRIVE BELT:

(High-speed models only: 20HS1500, 20HS2000, 17HS2000)

Loosen, but do not remove the 4 bolts, that hold the motor to the frame. (Figure 8)

Tighten the 2 screws at the back of the frame until the belt is tight. Test and re-adjust the belt until the belt does not slip. Re-tighten the four motor bolts.

fig 8



⚠ WARNING: Do not over-tighten the belt.

OPERATING INSTRUCTIONS FOR MODELS 17DS AND 20DS DUAL SPEED MACHINES

These units operate to all instructions already described except the following:

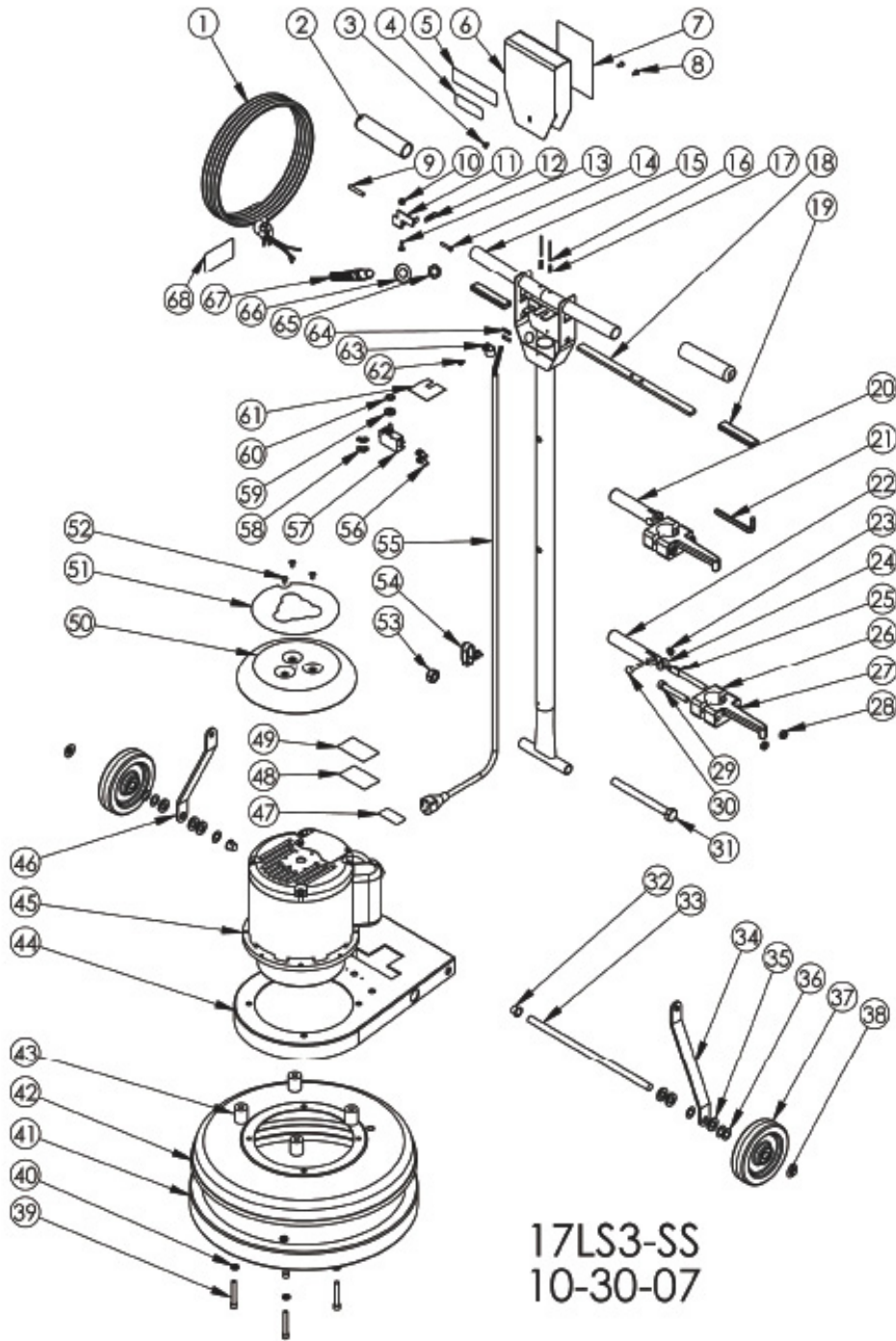
These models can run at either 175 RPM for scrubbing or at 300 RPM for buffing. To switch the RPM, use the rocker switch located between the motor and the base of the handle. Do not buff in the 175 RPM setting because it might overload the motor.

CLEAN UP & STORAGE

1. Unplug and wrap it under the cord hook and around the left side handle grip. Clean the cord and inspect it for cuts, gashes and loose prongs.
2. Wipe down the machine and store in clean dry place.

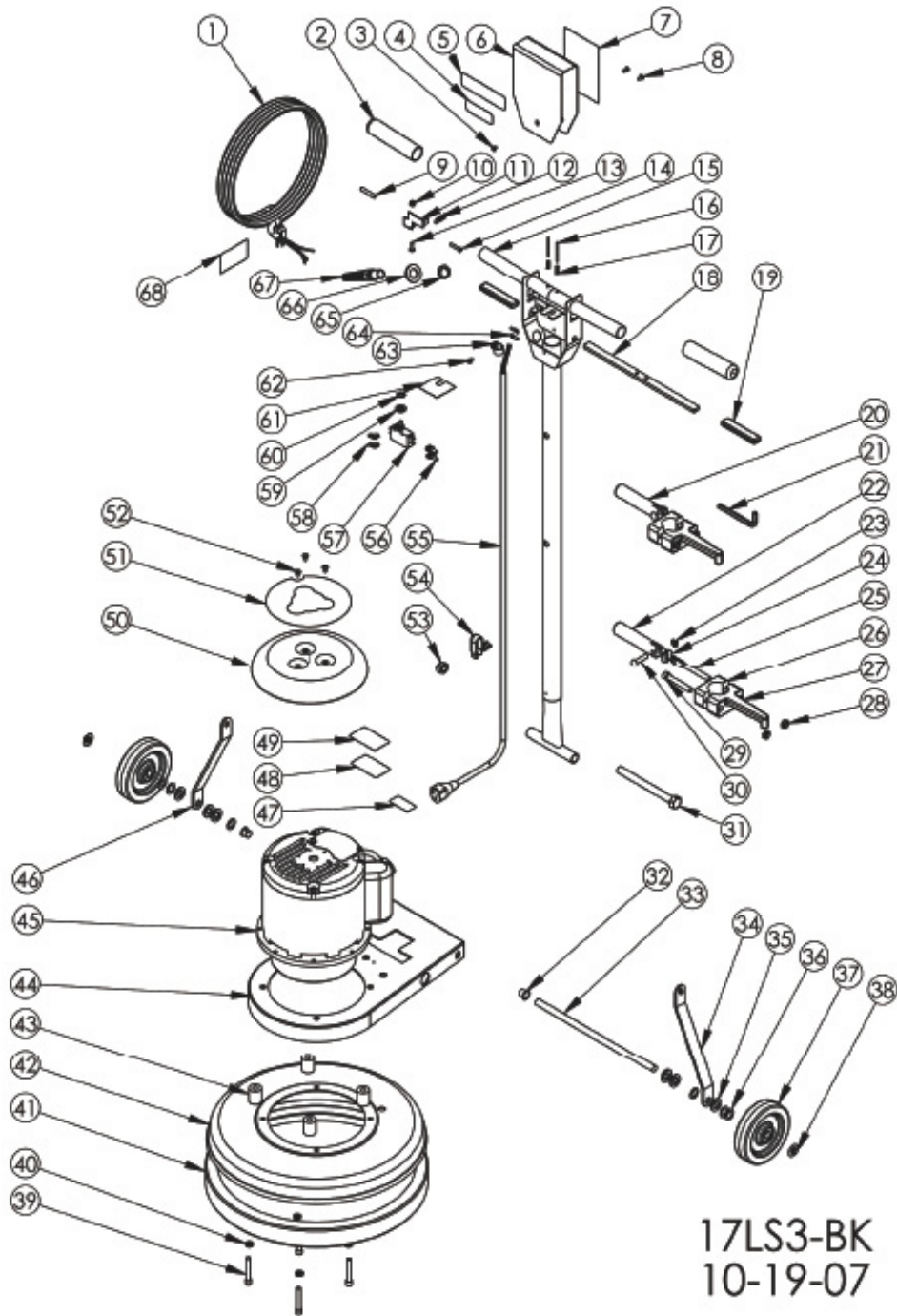


WARNING: Do not store the machine with the drive block, pad driver or brush on the machine.



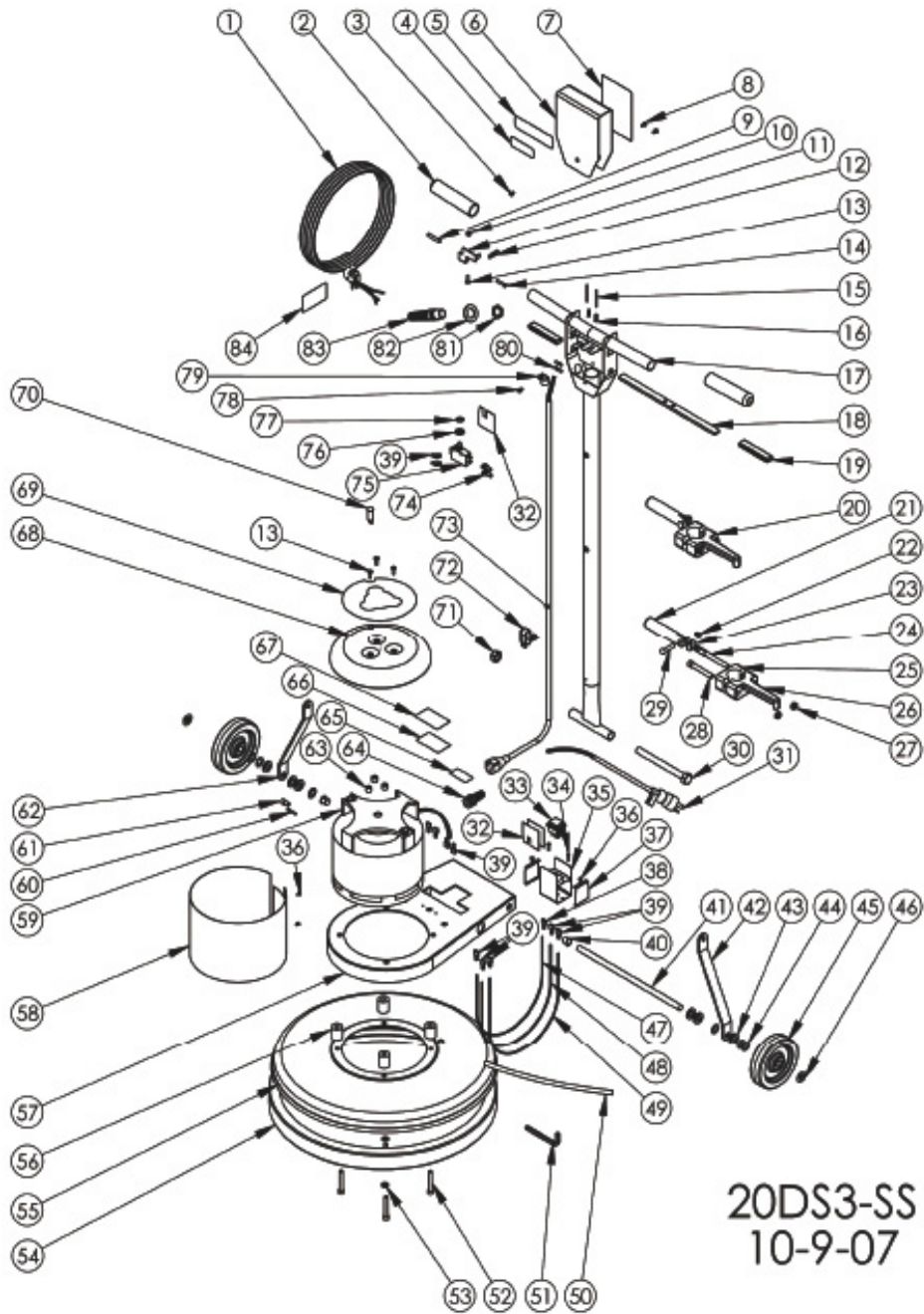
I7LS3-SS

ITEM #	PART #	DESCRIPTION	QTY
1	B11487	POWER CORD, 14-3, 50 FT, SJTW	1
2	K11498	GRIP	2
3	C11528	SCREW, 10-32 X .25IN	1
4	H12086	LABEL, 1.5 HP, SATURN	1
5	H11831	LABEL, EDIC, BLACK-SILVER	1
6	D11496B	SWITCH BOX COVER, BLACK	1
7	H11493	LABEL, SAFETY, FLOOR MACHINE	1
8	C11529	SCREW, 10-32 X .375 IN	2
9	K11519	LEVER GRIP, LOCKOUT, BLACK	1
10	C00278	LOCKNUT, 10-32, NYLON, SS	1
11	D11494	LOCKOUT BRACKET	1
12	U11524	SPRING, LOCKOUT	1
13	C90007	SCREW, 10-32 X .825 PHILLIP, TRUSS HEAD, SS	1
14	C11491	SCREW, 10-32 X 1 IN SS	1
15	D11479	HANDLE, CHROME FLOORMACHINE	1
16	C00306	ROLL PIN, .125 X 1.75	2
17	D11523	SPRING, TRIGGER	2
18	D11495	TRIGGER, ZINC PLATED	1
19	K11520	LEVER GRIP, TRIGGER BLACK	2
20	I1507A	ASSEMBLED LOCKING HANDLE, CORD HOOK	1
21	C11619	ALLEN WRENCH, .31 IN	1
22	D11497	HANDLE, LOCKING CLAMP	1
23	C11538	CAP NUT, .31 IN, PUSH-ON	1
24	C00259	WASHER, SLOTTED, ZINC	1
25	C11536	SPADE BOLT, .375-16 X 4 IN	1
26	D11507	CORD HOOK CLAMP	1
27	D11507-2	CORD HOOK BODY	1
28	C11558	LOCKNUT, BLACK OXIDE, THIN	2
29	C11502	SOCKET CAP SCREW, .375-16 X 2.5 IN	1
30	C11537	DOWEL PIN, .31 X 1.5 IN	1
31	C13101	SCREW, HEX CAP, M14-2.0	1
32	K00674	BUSHING, .50 IN NYLON	2
33	D11510	AXLE, FLOOR MACHINE	1
34	D11482	HANDLE BRACE, RIGHT, BLACK	1
35	C00240	WASHER, SHOULDER, NYLON	6
36	C11559	WASHER, .515 X .875 X .032	6
37	G11943	WHEEL, 5 IN SATURN	2
38	C02305	CAP NUT, .5 IN PUSH-ON	2
39	C11501	SOCKET CAP SCREW, .31-18	4
40	C00251	LOCKWASHER, .31, SPLIT	4
41	E11477	BUMPER, 17 IN FLOOR MACHINE	1
42	D11485-SS	BRUSH COVER, 17 IN STAINLESS	1
43	K11521	SPACER, BASE, FLOOR MACHINE	4
44	D11483	FRAME, MOTOR, BLACK	1
45	G11468	MOTOR W/ GEARBOX, 1.5 HP	1
46	D11481	HANDLE BRACE, LEFT, BLACK	1
47	H10976-1	LABEL, UL STD 561-507	1
48	H00565-5	LABEL, SERIAL #, STANDARD	1
49	H03545	COVER, SERIAL #, LABEL	1
50	D11490C	DRIP COVER, CHROME	1
51	H11830	LABEL, SATURN, DRIP COVER	1
52	C11916	SCREW, 10-32- X .375 PHILLIPS	3
53	C13100	NUT, M14-2.0 NYLON INSERT	1
54	B10734	STRAIN RELIEF, HANDLE	1
55	B11513	CORD, HANDLE, 14-3 SJTW	1
56	B11762	TERMINAL LUG, NYLON, FEMALE	2
57	B11465	SWITCH, DPST, PUSHBUTTON	1
58	B00177	TERMINAL LUG, FEMALE, QD, .25 X .032	2
59	C00252	WASHER, .375 IN FLAT	1
60	C11541	WASHER, .375 IN STAR	1
61	B11518	SWITCH INSULATION	1
62	C00284	SCREW, 10-32 X .375 GROUND	1
63	B00187	CABLE CLAMP, NYLON, .43 IN	1
64	B00180-10-3	RING TERMINAL, #10 CENTER	2
65	B11505	STRAIN RELIEF NUT, METAL	1
66	C11560	WASHER, .93 IN X 1.50D	1
67	B11504	STRAIN RELIEF, METAL	1
68	H02548-2	LABEL, IMPORTANT CARD	1



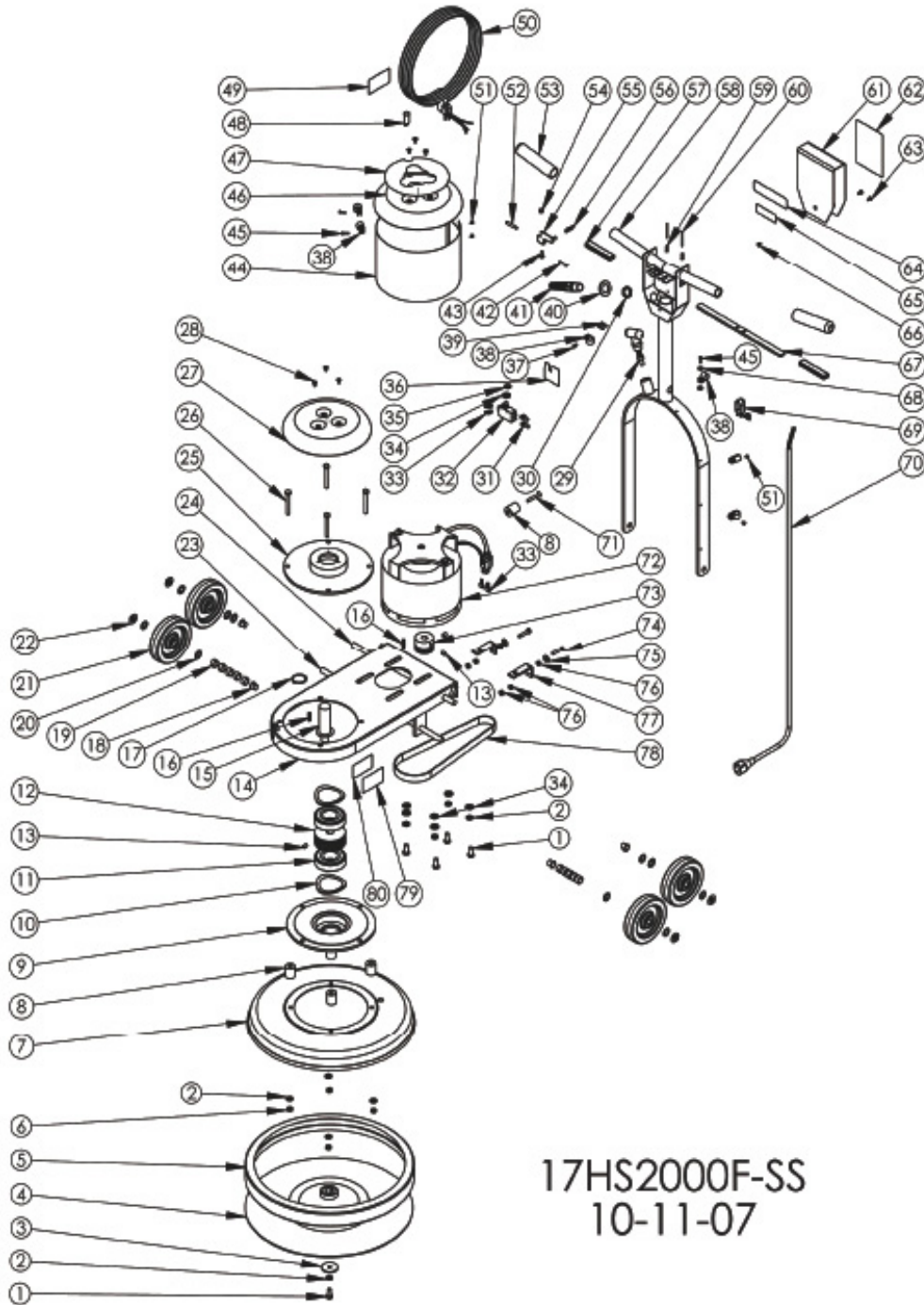
I7LS3-BK

ITEM #	PART #	DESCRIPTION	QTY
1	B11487	POWER CORD, 14-3, 50 FT, SJTW	1
2	K11498	GRIP	2
3	C11528	SCREW, 10-32 X .25 IN	1
4	H12086	LABEL, 1.5HP, SATURN	1
5	H11831	LABEL, EDIC, BLACK-SILVER	1
6	D11496B	SWITCH BOX COVER, BLACK	1
7	H11493	LABEL, SAFETY, FLOOR MACHINE	1
8	C11529	SCREW, 10-32 X .375 IN	2
9	K11519	LEVER GRIP, LOCKOUT, BLACK	1
10	C00278	LOCKNUT, 10-32, NYLON, SS	1
11	D11494	LOCKOUT BRACKET	1
12	U11524	SPRINGS, LOCKOUT	1
13	C90007	SCREW, 10-32 X .825 PHILLIPS, TRUSS HEAD, SS	1
14	C11491	SCREW, 10-32 X 1 IN, SS	1
15	D11479	HANDLE, CHROME, FLOORMACHINE	1
16	C00306	ROLL PIN, .125 X 1.75	2
17	D11523	SPRING, TRIGGER	2
18	D11495	TRIGGER, ZINC PLATED	1
19	K11520	LEVER GRIP, TRIGGER BLACK	2
20	I1507A	ASSEMBLED LOCKING HANDLE, CORD HOOK	1
21	C11619	ALLEN WRENCH, .31 IN	1
22	D11497	HANDLE, LOCKING CLAMP	1
23	C11538	CAP NUT, .31 IN PUSH-ON	1
24	C00259	WASHER, SLOTTED, ZINC	1
25	C11536	SPADE BOLT, .375-16 X 4IN	1
26	D11507	CORD HOOK CLAMP	1
27	D11507-2	CORD HOOK BODY	1
28	C11558	LOCKNUT, BLACK OXIDE, THIN	2
29	C11502	SOCKET CAP SCREW, .375-16 X 2.5 IN	1
30	C11537	DOWEL PIN, .31 X 1.5 IN	1
31	C13101	SCREW, HEX CAP, M14-2.0	1
32	K00674	BUSHING, .50IN NYLON	2
33	D11510	AXLE, FLOOR MACHINE	1
34	D11482	HANDLE BRACE, RIGHT, BLACK	1
35	C00240	WASHER, SHOULDER, NYLON	6
36	C11559	WASHER, .515 X .875 X .032	6
37	G11943	WHEEL, 5 IN SATURN	2
38	C02305	CAP NUT, .5IN PUSH ON	2
39	C11501	SOCKET CAP SCREW, .31-18	4
40	C00251	LOCKWASHER, .31, SPLIT	4
41	E11477	BUMPER, 17 IN FLOOR MACHINE	1
42	D11485B	BRUSH COVER, 17 IN, BLACK	1
43	K11521	SPACER, BASE, FLOOR MACHINE	4
44	D11483	FRAME, MOTOR, BLACK	1
45	G11468	MOTOR W- GEARBOX, 1.5 HP	1
46	D11481	HANDLE BRACE LEFT, BLACK	1
47	H10976-1	LABEL, UL STD 561-507	1
48	H00565-5	LABEL, SERIAL # STANDARD	1
49	H03545	COVER, SERIAL #, LABEL	1
50	D11490B	DRIP COVER, BLACK	1
51	H12913	LABEL, DRIP COVER, WHITE	1
52	C11916	SCREW, 10-32 X .375 PHILLIPS	1
53	C13100	NUT, M14-2.0 NYLON INSERT	1
54	B10734	STRAIN RELIEF, HANDLE	1
55	B11513	CORD, HANDLE, 14-3 SJTW	1
56	B11762	TERMINAL LUG, NYLON, FEMALE	2
57	B11465	SWITCH, DPST, PUSHBUTTON	1
58	B00177	TERMINAL LUG, FEMALE, QD, .25 X .032	2
59	C00252	WASHER, .375 IN, FLAT	1
60	C11541	WASHER, .375 IN STAR	1
61	B11518	SWITCH INSULATION	1
62	C00284	SCREW, 10-32 X .375 GROUND	1
63	B00187	CABLE CLAMP, NYLON, .43 IN	1
64	B00180-10-3	RING TERMINAL, #10 CENTER	2
65	B11505	STRAIN RELIEF NUT, METAL	1
66	C11560	WASHER, .93 ID X 1.5OD	1
67	B11504	STRAIN RELIEF, METAL	1
68	H02548-2	LABEL, IMPORTANT CORD	1



20DS3-SS

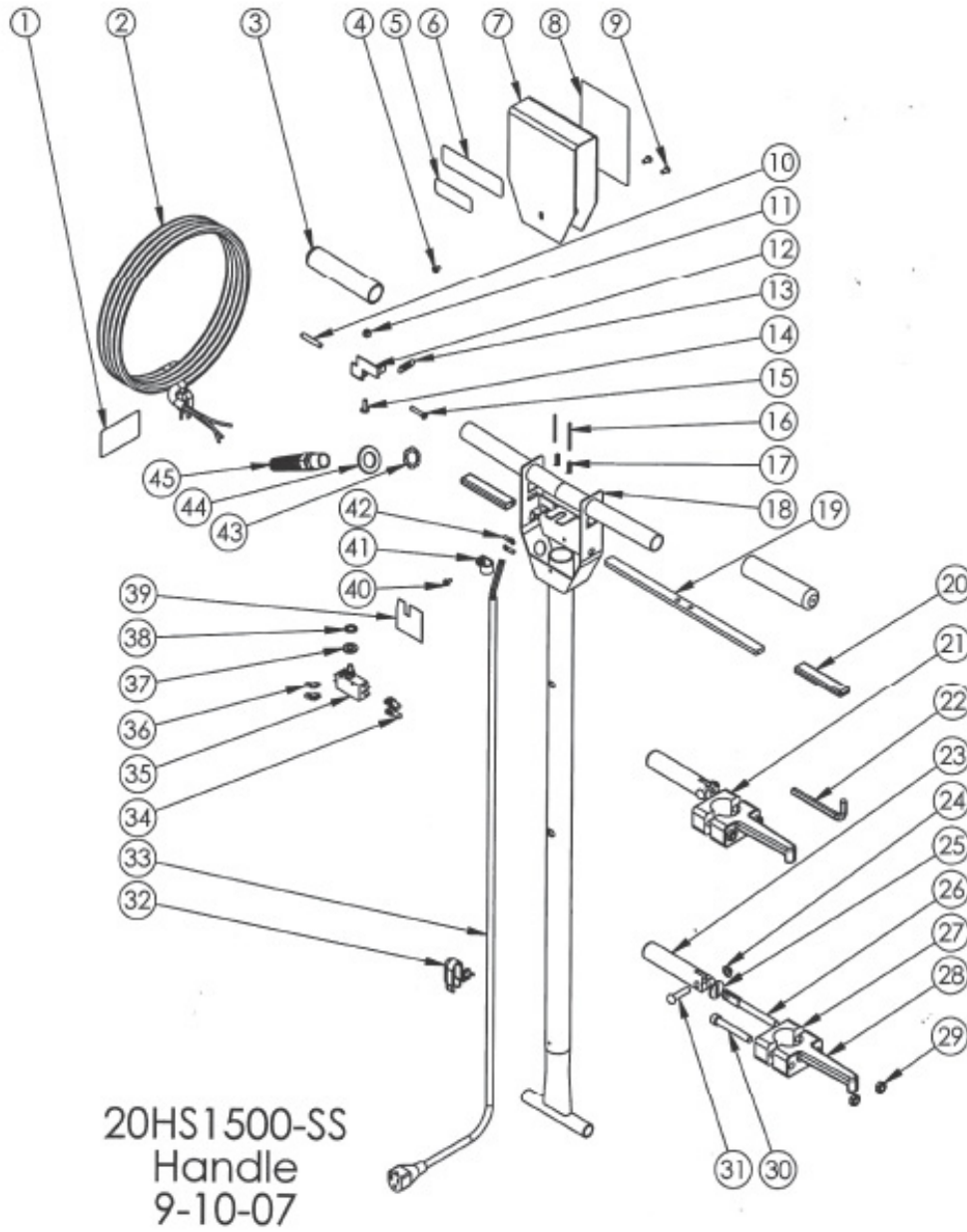
ITEM #	PART #	DESCRIPTION	QTY	ITEM #	PART #	DESCRIPTION	QTY
1	B11487	POWER CORD, 14-3, 50 FT, SJTW	1	48	B00185-40	WIRE, 14 GA X 2FT, BLACK UL1015	1
2	K11498	GRIP	2	49	B00185-86	WIRE, 14 GA X 2FT, RED, UL1015	1
3	C11528	SCREW, 10-32 X .25 IN	1	50	B00228-2	1 FT SHRINKTUBE, .375 IN, POLY	1
4	H12066	LABEL, .5 HP, SATURN	1	51	C11619	ALLEN WRENCH, .31 IN	1
5	H11831	LABEL, EDIC, BLACK-SILVER	1	52	C11501	SOCKET CAP SCREW, .31-18	4
6	D11496B	SWITCH BOX COVER, BLACK	1	53	C00251	LOCKWASHER, .31, SLIP	4
7	H11493	LABEL, SAFETY, FLOOR MACHINE	1	54	E11478	BUMPER, 20 IN FLOORMACHINE	1
8	C11529	SCRFW, 10-32 X .375 IN	2	55	D11486-SS	BRUSH COVER, 20 IN, STAINLESS	1
9	K11519	LEVER GRIP, LOCKOUT, BLACK	1	56	K11521	SPACER, BASE, FLOORMACHINE	4
10	C00278	LOCKNUT, 10-32, NYLON, SS	1	57	D11483	FRAME, MOTOR, BLACK	1
11	D11494	LOCKOUT BRACKET	1	58	D11545	MOTOR SCREEN	1
12	D11524	SPRING, LOCKOUT	1	59	G1573	MOTOR SCREEN	1
13	C90007	SCEW, 10-32 X .625 PHILLIPS, TRUSS HEAD, SS	4	60	B00181	BUTT CONNECTOR, BLUE 1 WIRE	1
14	C11491	SCEW, 10-32 X 1 IN, SS	1	61	B00179-1	CLOSED END CNTR, 16-3	1
15	C00306	ROLL PIN, .125 X 1.75	2	62	D11481	HANDLE BRACE, LEFT, BLACK	1
16	D11523	SPRING, TRIGGER	2	63	K11517	SPACER, 19 ID X .375 HIGH X .50 OD, NYLON	3
17	D11479	HANDLE, CHROME, FLOORMACHINE	1	64	B11199	STRAIN RELIEF, PIGTAIL W/ LOCKNUT	1
18	D11495	TRIGGER, ZINC PLATED	1	65	H10976-1	LABEL, UL STD 561-507	1
19	K11520	LEVER GIP, TRIGGER, BLACK	2	66	H00565-5	LABEL, SERIAL #, STANDARD	1
20	11057A	ASSEMBLED LOCKING HANDLE, CORD HOOK	1	67	H03545	COVER, SERIAL #, LABEK	1
21	D11497	HANDLE, LOCKING CLAMP	1	68	H11490G-M	UNIP COVER W/ LIGHT, CHROME	1
22	C11538	CAP NUT, .31 IN, PUSH-ON	1	69	H11830	LABEL, SATURN, DRIP COVER	1
23	C00259	WASHER, SLOTTED, ZINC	1	70	B02196-1	LIGH. MOTOR CARBON BRUSH WEAR	1
24	C11536	SPADE BOLT, .375-16 X 4IN	1	71	C13100	NUT, M14-20 NYLON NSERT	1
25	D11507	CORD HOOK CLAMP	1	72	B10734	STRAIN RELIEF, HANDLE	1
26	D10507-2	CORD HOOK BODY	1	73	B11513	CORD, HANDLE, 14-3 SJTW	1
27	C11558	LOCKNUT, .375-16, NYLON	2	74	B11762	TERMINAL LUG, FEMALE	2
28	C11502	SOCKET CAP SCREW, .375-16 X 2.5 IN	1	75	B11465	SWITCH, DPST, PUSHBUTTON	1
29	C11537	DOWEL PIN, .31 X 1.5 IN	1	76	C00252	WASHER, .375 IN, FLAT	1
30	C13101	SCREW, HEX CAP, M14-2.0	1	77	C11541	WASHER, .375 IN, STAR	1
31	B10719	POWER CORD, 25', 16-3	1	78	C00284	SCREW, 10-32 X .375 GROUND	1
32	B11518	SWITCH INSULATION	3	79	B00187	CABLE CLAMP, NYLON, .43 IN	1
33	B11751	SWITCH, ROCKER DPDT, BLACK	1	80	B00180-10-3	RING TERMINAL, #10 CENTER	2
34	C00293	#8 X 5IN PAN, BLACK SMS, PHILLIPS	2	81	B11505	STRAIN RELIEF NUT, METAL	1
35	D11582	BRACKET, SWITCH MOUNT	1	82	C11560	WASHER, .93 ID X 1.5 OD	1
36	C00297	SCEW, #8 X .25 IN PAN HEAD	4	83	B11504	STRAIN RELIEF, METAL	1
37	D11646	SWITCH BRACKET COVER	2	84	H02548-2	LABEL, IMPORTANT CORD	1
38	B00177-1	TERMINAL LUG, FEMALE, QD, .25 X .032	1				
39	B00177	TERMINAL LUG, FEMALE, QD, .25 X .032	11				
40	K00674	BUSHING, .50 IN, NYLON	2				
41	D11510	AXLE, FLOORMACHINE	1				
42	D11482	HANDLE, BRACE, RIGHT, BLACK	1				
43	C00240	WASHER, SHOULDER, NYLON	6				
44	C11559	WASHER, .515 X .875 X .032	6				
45	G11943	WHEEL, 5 IN, SATURN	2				
46	C02305	CAP NUT, .5 IN PUSH-ON	2				
47	B00185-30	WIRE, 14 GA X 2FT, WHITE, UL195	1				



17HS2000F-SS
 10-11-07

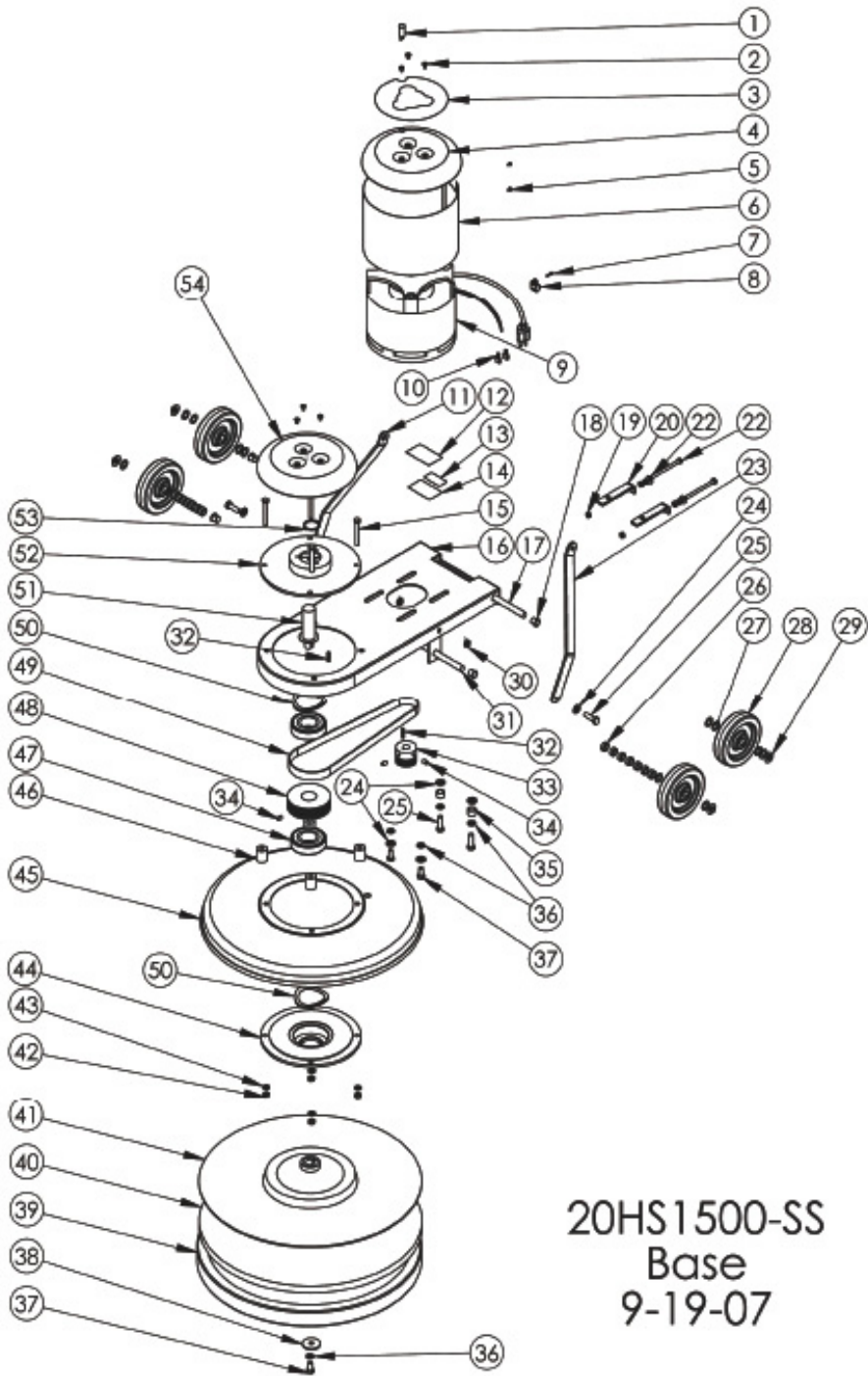
I7HS2000F-SS

ITEM #	PART #	DESCRIPTION	QTY	ITEM #	PART #	DESCRIPTION	QTY
1	C11571	HEX TAP BOLT, 3-8 X .75 IN	5	47	H11830	LABEL, SATURN, DRIP COVER	1
2	C00250	LOCKWASHER, .375, SPLIT	9	48	B02196-1	LIGHT, MOTOR CARBON BRUSH WEAR	1
3	D11535	WASHER, 1.75 IN STEEL	1	49	H02548-2	LABEL, IMPORTANT, CORD	1
4	1704BR	PAD HOLDER, 17 IN HIGH SPEED	1	50	B11900	POWERCORD, 12-3, 75 FT, SJTW	1
5	E11477	BUMPER, 17 IN FLOOR MACHINE	1	51	C00297	SCREW, #8 X .25 IN PAN HEAD	4
6	C00262	NUT, 31-18, HEX	4	52	K11519	LEVER GRIP, LOCKOUT, BLACK	1
7	D11485-SS	BRUSH COVER, 17 IN STAINLESS STEEL	1	53	K11498	GRIP	2
8	K11521	SPACER, BASE, FLOOR MACHINE	5	54	C00278	LOCKNUT, 10-32, NYLON, SS	1
9	D11565	BEARING PLATE, LOWER	1	55	D11494	LOCKOUT BRACKET	1
10	C11556	WAVE WASHER	2	56	D11524	SPRING, LOCKOUT	1
11	G11531	BEARING	2	57	K11520	LEVER GRIP, TRIGGER, BLACK	2
12	D11533	PULLEY, 3.125 IN W-GROOVES	1	58	D11480-1	HANDLE ASSM., FOLD DOWN	1
13	C11567	SET SCREW, .312 IN	3	59	D11523	SPRING, TRIGGER	2
14	D11747	MOTOR FRAME, FLOOR MACHINE	1	60	C00306	ROLL PIN, .125 X 1.75	2
15	D11534	SHAFT, 4.11 IN	1	61	D11498B	SWITCH BOX COVER, BLACK	1
16	C11555	KEY MOTOR, .187 IN	2	62	H11493	LABEL, SAFETY, FLOOR MACHINE	1
17	C11574	RETAINING RING	1	63	C11529	SCREW, 10-32 X .375 IN	2
18	K00674	BUSHING, .50 IN, NYLON	4	64	H11831	LABEL, EDIC, BLACK-SILVER	1
19	A10600	BUSHING, PVC, .750 X .375	10	65	H12069	LABEL, 2000 RPM, SATURN	1
20	C11559	WASHER, .515 X .875 X .032	10	66	C11528	SCREW, 10-32 X .25 IN	1
21	G11943	WHEEL, 5 IN SATURN	4	67	D11495	TRIGGER, ZINC PLATED	1
22	C02305	CAP NUT, .5 IN PUSH-ON	4	68	C03251	WASHER, .50 IN, FLAT	2
23	D11732	AXLE, .50 X 17.19	1	69	B10734	STRAIN RELIEF, HANDLE	1
24	D11731	AXLE, .50 X 14.5	1	70	H11519	CORD, HANDLE, 14-2 SJTW	1
25	D11566	BEARING PLATE, UPPER	1	71	C00287	SCREW, .25-20 X 1.75 FATE	1
26	C11568	HEX, BOLT, 31-18 X 2.5 IN	4	72	G11557	MOTOR, HIGH SPEED	1
27	D11490C	DRIP COVER, CHROME	1	73	D11532	PULLEY, 3.125 IN W-GROOVES	1
28	C11916	SCREW, 10-32 X .375 PHILLIPS	6	74	C02310	HEX BOLT, 1-4 X 20 X 1.25 IN	2
29	D11733	HANDLE LOCK, SPRING LOADED	1	75	C00233	WASHER, FLAT, .25 IN	2
30	B11505	STRAIN RELIEF NUT, METAL	1	76	C00261	NUT, .25-20, HEX	6
31	B11762	TERMINAL LUG, NYLON, FEMALE	2	77	D11752	TENSION ADJUSTMENT BRACKET	2
32	B11465	SWITCH, DPST, PUSHBUTTON	1	78	L11750	BELT, FOLD DOWN HI SPEED	1
33	B00177	TERMINAL LUG, FEMALE, QD, .25 X .032	4	79	H03545	COVER, SERIAL # LABEL	1
34	C00252	WASHER, .375 IN, FLAT	7	80	H00565-5	LABEL, SERIAL #, STANDARD	1
35	C11541	WASHER, .375 IN, STAR	1				
36	B11518	SWITCH, INSULATION	1				
37	C00284	SCREW, 10-32 X .375 GROUND	1				
38	B00187	CABLE CLAMP, NYLON, .43 IN	6				
39	B00180-10-3	RING TERMINAL, #10 CENTER	2				
40	C11560	WASHER, .9 ID X 1.5 OD	1				
41	B11504	STRAIN RELIEF, METAL	1				
42	C11491	SCREW, 10-32 X 1IN, SS	1				
43	C90007	SCREW, 10-32 X .625 PHILLIPS, TRUSS HEAD, SS	1				
44	D11545	MOTOR SCREEN	1				
45	C00293	#8 X .5IN PAN, BLACK SMS, PHILLIPS	3				
46	H11940C-H	DRIP COVER W -LIGHT, CHROME	1				



20HS1500-SS HANDLE

ITEM #	PART #	DESCRIPTION	QTY
1	H02548-2	LABEL, IMPORTANT, CORD	1
2	B11900	POWER CORD, 12-3, 75 FT, SJTW	1
3	K11498	GRIP	2
4	C11528	SCREW, 10-32 X .25 IN	1
5	H12070	LABEL, 1500 RPM, SATURN	1
6	H11831	LABEL, EDIC, BLACK-SILVER	1
7	D11496B	SWITCH BOX COVER, BLACK	1
8	H11493	LABEL, SAFETY, FLOOR MACHINE	1
9	C11529	SCREW, 10-32 X .375 IN	2
10	K11519	LEVER GRIP, LOCKOUT, BLACK	1
11	C00278	LOCKNUT, 10-32, NYLON,SS	1
12	U11494	LOCKOUT BRACKET	1
13	D11524	SPRING, LOCKOUT	1
14	C90007	SCREW, 10-32 X .625 PHILLIPS	1
15	C11491	SCW, 10-32 X 1 IN, SS	1
16	C00306	ROLL PIN, .125 X 1.75	2
17	D11523	SPRING, TRIGGER	2
18	D11479	HANDLE, CHROME, FLOORMACHINE	1
19	D11495	TRIGGER, ZINC PLATED	1
20	K11520	LEVER GRIP, TRIGGER, BLACK	2
21	11507A	ASSEMBLED LOCKING HANDLE, CORD HOOK	1
22	C11519	ALLEN WRENCH, .31 IN	1
23	D11497	HANDLE, LOCKING CLAMP	1
24	C11538	CAP NUT, .31 IN, PUSH-ON	1
25	C00259	WASHER, CLOTTED, ZINC	1
26	C11536	SPADE BOLT, .375-16 X 4 IN	1
27	D11507	CORD HOOK CLAMP	1
28	D11507-2	CORD HOOK BODY	1
29	C11558	LOCKNUT, BLACK OXIDE, THIN	2
30	C11502	SOCKET CAP SCREW, .375-16 X 2.5 IN	1
31	C11537	DOWEL PIN, .31 IN X 1.5 IN	1
32	B10734	STRAIN RELIEF, HANDLE	1
33	B11513	CORD, HANDLE, 14-3 SJTW	1
34	B11762	TERMINAL LUG, NYLON, FEMALE	2
35	B11465	SWITCH, DPST, PUSHBUTTON	1
36	B00177	TERMINAL LUG, FEMALE, QD, .25 X .032	2
37	C00252	WASHER, .375 IN, FLAT	1
38	C11541	WASHER, .375 IN, STAR	1
39	B11518	SWICH INSULATION	1
40	C00284	SCREW, 10-32 X .375 GROUND	1
41	B00187	CABLE CLAMP, NYLON, .43 IN	1
42	B00180-10-3	RING TERMINAL, #10 CENTER	2
43	B11505	STRAIN RELIEF NUT, METAL	1
44	C1560	WASHER, .93 ID X 1.5 OD	1
45	B11504	STRAIN RELIEF, METAL	1



20HS1500-SS
 Base
 9-19-07

20HS1500-SS BASE

ITEM #	PART #	DESCRIPTION	QTY
1	B02196-1	LIGHT, MOTOR CARBON BRUSH WEAR	1
2	C11916	SCREW, 10-32 X .375 PHILLIPS	6
3	H11830	LABEL, SATURN, DRIP COVER	1
4	D11490C-H	DRIP COVER, CHROME W/ HOLE FOR GREEN LIGHT	1
5	C00297	SCREW, #8 X .25 IN PAN HEAD	2
6	D11545	MOTOR SCREEN	1
7	C00293	#8 X .5 IN PAN, BLACK SMS, PHILLIPS	1
8	B00187	CABLE CLAMP, NYLON, .43 IN	1
9	G11557	MOTOR, HIGH SPEED	1
		TERMINAL LUG, FEMALE, QD, .25 X .032, 16-14 AWG, FULLY	
10	B00177	INSULATED	2
11	D11543	HANDLE BRACE, LEFT	1
12	H03545	COVER, SERIAL #LABEL	1
13	H10976-1	LABEL, UL STD 561-507	1
14	H00565-5	LABEL, SERIAL #, STANDARD	1
15	C11568	HEX BOLT, .31-18 X 2.5 IN	4
16	D11526	FRAME, MOTOR, BLACK	1
17	D11563	AXLE, HANDLE	1
18	K00674	BUSHING, .50 IN, NYLON	4
19	C00261	NUT, .25-20, HEX	6
20	D11542	TENSION ADJUSTMENT BRACKET	2
21	C00233	WASHER, FLAT, .25 IN	2
22	C00319	HEX TAP BOLT, 1-4 X 20 X 3.5 IN	2
23	D11544	HANDLE BRACE, RIGHT	1
24	C00252	WASHER, .375 IN, FLAT	6
25	C11569	HEX TAP BOLT, 3-8 X 1.25 IN	4
26	K11561	SPACER, .25 LG, NYLON, NATURAL	14
27	C11559	WASHER, .515 X .875 X .032	12
28	G11943	WHEEL, 5 IN SATURN	4
29	C02305	CAP NUT, .5 IN PUSH-ON	4
30	C11558	LOCKNUT, .375-18	2
31	D11562	AXLE, WHEEL	1
32	C11555	KEY, MOTION, .187 IN	2
33	D11532	PULLEY	1
34	C11567	SET SCREW, .312 IN	3
35	K00662-50	SPACER, .5 IN	2
36	C00250	LOCKWASHER, .375, SPLIT	5
37	C11571	HEX TAP BOLT, 3-8 X .75 IN	3
38	D11535	WASHER, 1.75 IN STEEL	1
39	E11478	BUMPER, 20 IN FLOOR MACHINE	1
40	F11988	PAD, HI SPEED, 20 IN	1
41	2004BR	PAD HOLDER, 20 IN, HIGH SPEED	1
42	C00262	NUT, .31-18, HEX	4
43	C00251	LOCKWASHER, .31, SPLIT	4
44	D11565	BEARING PLATE, LOWER	1
45	D11486-SS	BRUSH COVER, 20 IN, STAINLESS	1
46	K11521	SPACER, BASE, FLOOR MACHINE	4
47	G11531	BEARING	2
48	D11547	PULLEY, 3.875 IN (1500 RPM)	1
49	L11530	BELT	1
50	C11556	WAVE WASHER	2
51	D11534	SHAFT, 4.11 IN	1
52	D11566	BEARING PLATE, UPPER	1
53	C11574	RETAINING RING	1
54	D11490C	DRIP COVER, CHROME	1



1753 Blake Avenue ☐ Los Angeles, CA 90031 ☐ (800) 338-EDIC Or (323) 660-1635 ☐ Fax (323) 667-0144
ZF1216