



**TORNADO INDUSTRIES, LLC**  
**3101 WICHITA COURT**  
**FORT WORTH, TX 76140**  
**PHONE 800-VACUUMS**  
**FAX 817-551-0719**  
**WWW.TORNADOVAC.COM**

**Parts Manual**  
**For Commercial Use Only**



**BD 17/6 AUTOMATIC SCRUBBER**  
**MODEL NO: 99617**



## Long -Term Buyer Protection Limited Warranty

Tornado Industries, LLC. warrants to the end user/ customer that the Tornado product(s) will be free from defects in material and workmanship for the duration(s) described below. This limited warranty DOES NOT cover machines and/or components subject to normal wear and tear, damage that occurs in shipping, failures resulting from modification, accident, unsuitable operating environment, misuse, abuse, **neglect, or improper maintenance**. For full details, contact your Authorized Tornado Distributor, Service Center, or the Tornado Technical Service Department. Tornado sales and service representatives are not authorized to waive or alter the terms of this warranty, or to increase the obligations of Tornado under the warranty.

**10 Years\***

**Plastic water tanks and Rotationally-molded bodies**

**2 Years\***

**Parts on all Tornado cleaning equipment**

**1 Year\***

**Labor on all Tornado cleaning equipment**

**1 Year\***

**Warranty on batteries, one year prorated**

All battery warranties are handled directly by the battery manufacturer, on a one year prorated basis

### Terms subject to change without notice

1. All Windshear™ Blowers, Storm, TV2SS, Side and Dowlndraft, Insulation Blowers, CV 30, CV 38, CK14/1 PRO, CK 14/2 PRO, SWM 31/9, CK LW13/1, CK LW 13/1 ROAM, CV 38/48 Dual, PV6, PV10, PV6 ROAM, Wall Mount Vacuum and all chargers are warranted for 1 (one) year for both parts and labor.
2. All non-wear item parts purchased after warranty expiration are warranted for 90 days.
3. Warranty starts from either: The date of sale to the consumer, or 6 months after the dealer purchased the unit from Tornado (at Tornado's discretion), whichever comes first.
4. The EB 30 is warranted for a period of 90 days for both parts and labor.
5. Propane-powered equipment engines are limited to the engine manufacturer's warranty.
6. Ride-on Scrubbers are warranted for 24 months parts, and 6 months labor, or 1,000 hours, whichever occurs first.

**Note:** Tornado, The Latest Dirt, Floorkeeper, Carpet-keeper, Carpetrinser, Carpetrinser/Dryer, Headmaster, Taskforce, PAC-VAC, T-Lite, Glazer, Windshear, Max-Vac and Trot-Mop are trademarks of Tornado Industries

**Website:** [www.tornadovac.com](http://www.tornadovac.com)

Phone 1-800-VACUUMS

Fax 817-551-0719

Address 3101 Wichita Court  
Fort Worth, TX 76140

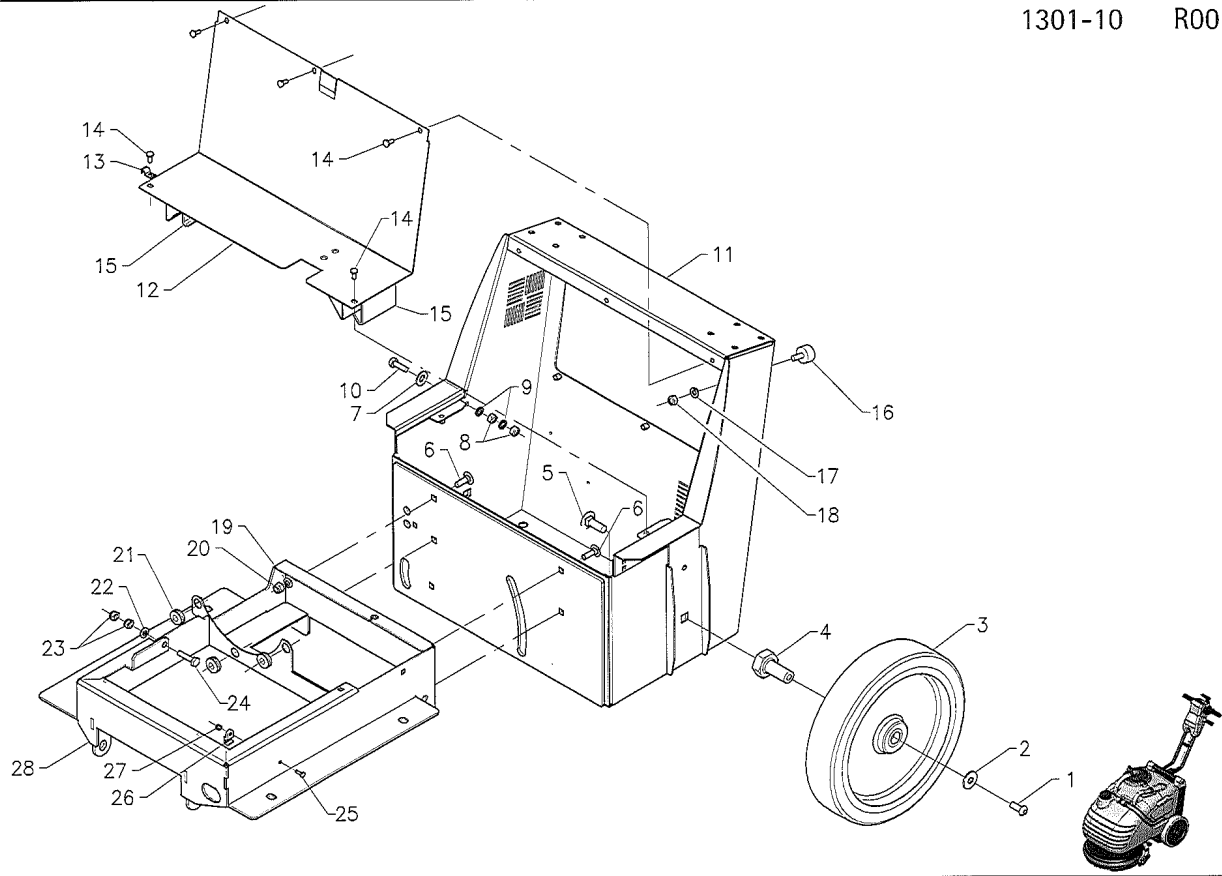
1-800-VACUUMS

Over 90 Years of Cleaning Innovation

A Tacony Company

## Table of Contents

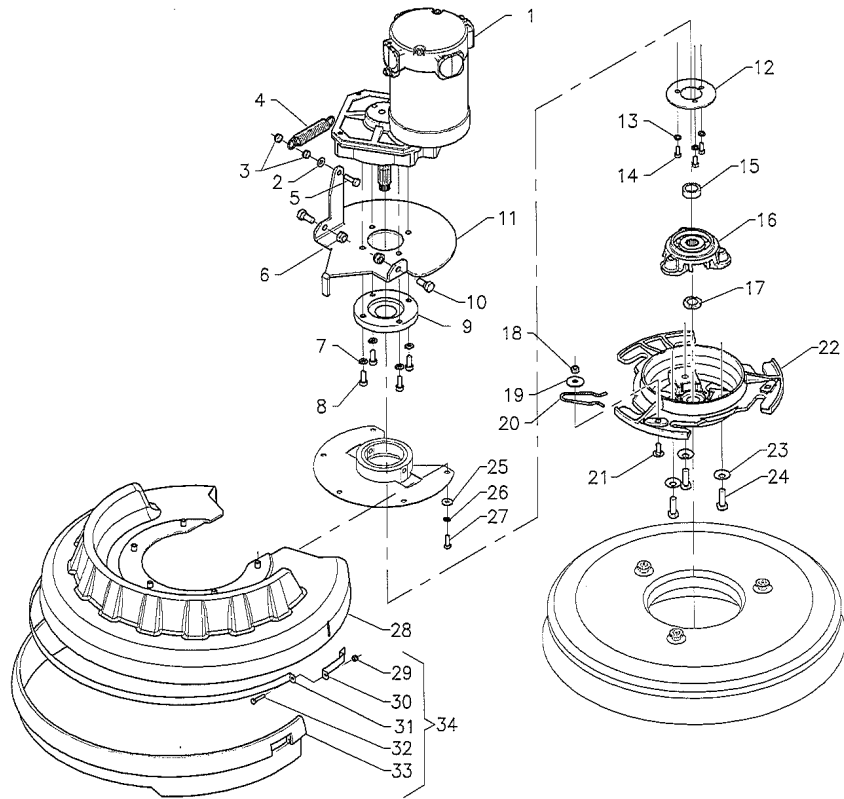
Frame Assembly	4
Brush Base Assembly (Up to S/N 14002250)	6
From S/N 14002250	8
Squeegee Assembly (Up to S/N 14000114)	10
S/N 14000115 - 17000989	12
From S/N 17000990	14
Squeegee Control Assembly	16
Squeegee Lever Assembly	18
Handlebar Support Assembly	20
Handlebar Control Levers (Up to S/N 16001418)	22
From S/N 16001419	24
Solution Tank and Water Unit	26
Recovery Tank and Suction Assembly	28
Electrical Layout (Up to S/N 14002250)	30
S/N 14002251 - 16000172	32
S/N 16000173 - 16001527	34
S/N 16001528 - 16002167	36
S/N 16002168 - 17000582	38
From S/N 17000583	40
Battery Charger (Up to S/N 14003846)	42
S/N 14003847 - 16000172	44
From S/N 16000173	46
Drive Control Assembly	48



Return to TOC

No.	Part No.	Qty.	Description
1	60100803	2	Screw M8 x 20 INOX
2	60308007	2	Washer INOX
3	46514020	2	Wheel
4	21007020	2	Wheel Pin
5	60101003	2	Screw M10 x 30 INOX
6	60100602	5	Screw M6 x 20
7	60210608	2	Nut
8	60506002	2	Lock Washer
9	60110612	2	Screw M6 x 20
10	48013010	1	Battery Compartment
11	21301010	1	Front Panel
12	61940005	1	Clip
13	60140407	1	Screw M4 x 10
14	21301040	5	Profile
15	62405001	2	Vibration Damping Cap
16	60506005	2	Lock Washer
17	60210608	2	Nut
18	60306003	4	Washer
19	60220603	4	Lock Nut
20	63713001	3	Fairlead
21	60306003	1	Washer
22	60220601	2	Lock Nut
23	60110617	1	Screw M6 x 25
24	60140301	2	Screw M3 x 10
25	63714002	1	Eye Support
26	60220301	1	Lock Nut
27	46113100	1	Front Frame

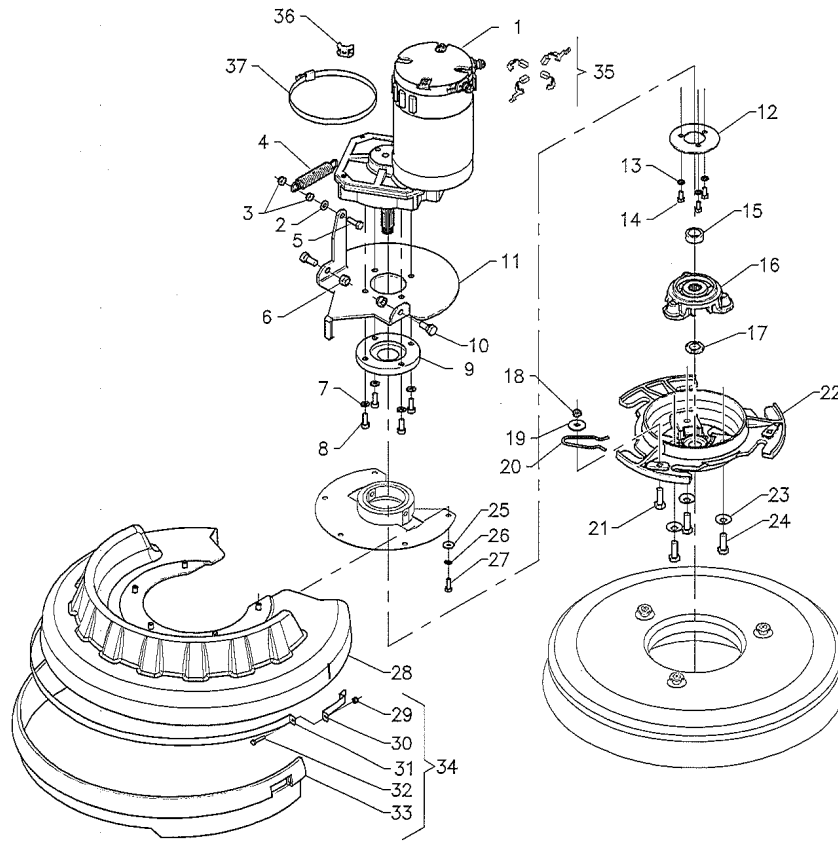
Return to TOC



Return to TOC

No.	Part No.	Qty.	Description
1	46200380	1	Geared Motor
2	60306003	1	Washer
3	60220601	2	Lock Nut
4	47220220	1	Spring
5	60110617	1	Screw M6 x 25
6	60220803	2	Lock Nut INOX
7	60506007	4	Lock Washer INOX
8	60130605	4	Screw M6 x 16 INOX
9	21305020	1	Joint Flange
10	20502360	2	Stud Bolt
11	48513010	1	Brush Base
12	21305030	1	Stop Ring
13	60505003	3	Lock Washer INOX
14	60110503	3	Screw M5 x 12 INOX
15	47010010	1	Bushing
16	21002010	1	Flange
17	60281510	1	Blocking Ring Nut
18	60220602	1	Lock Nut INOX
19	60306011	1	Washer INOX
20	47230100	1	Spring
21	60100603	1	Screw M6 x 16 INOX
22	20302250	1	Plastic Brush Plate
23	60508004	3	Conical Washer
24	60110808	3	Screw M8 x 25 INOX
25	60305006	5	Washer INOX
26	60505003	5	Lock Washer INOX
27	60110507	5	Screw M5 x 16 INOX
28	21302010	1	Base Cover
29	60210401	1	Lock Nut INOX
30	21302040	1	Short Blade Splash Guard
31	21302030	1	Long Blade Splash Guard
32	60110406	1	Screw M4 x 20 INOX
33	48613010	1	Splash Guard
34	V1302001	1	Splash Guard Assembly

Return to TOC

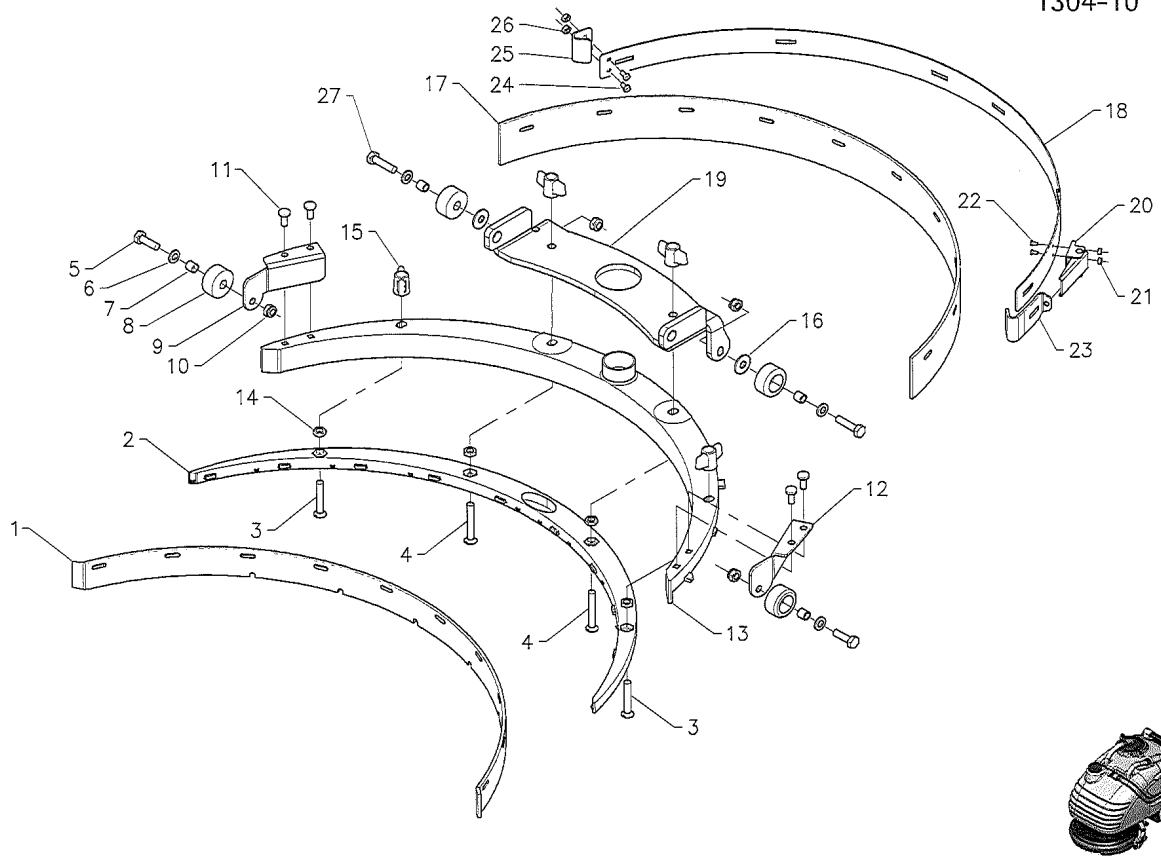


Return to TOC



No.	Part No.	Qty	Description
1	46200440	1	Brush Motor 24V 350W
2	60306003	1	Washer
3	60220601	2	Lock Nut
4	47220220	1	Spring
5	60110617	1	Screw M6 x 25
6	60220803	2	Lock Nut INOX
7	60506007	4	Lock Washer INOX
8	60130605	4	Screw M6 x 16 INOX
9	21305020	1	Joint Flange
10	20502360	2	Stud Bolt
11	48513010	1	Brush Base
12	21305030	1	Stop Ring
13	60505003	3	Lock Washer INOX
14	60110503	3	Screw M5 x 12 INOX
15	47010010	1	Bushing Spacer
16	21002010	1	Flange
17	60281510	1	Blocking Ring Nut
18	60220602	1	Lock Nut INOX
19	60306011	1	Washer INOX
20	47230100	1	Brush Blocking Spring
21	60100603	1	Screw M6 x 16 INOX
22	20302250	1	Brush Holder Plate (Plastic)
23	60508004	3	Conical Washer
24	60110808	3	Screw M8 x 25 INOX
25	60305006	5	Washer INOX
26	60505003	5	Lock Washer INOX
27	60110507	5	Screw M5 x 16 INOX
28	21302010	1	Base Cover
29	60210401	1	Nut INOX
30	21302040	1	Short Blade Splash Guard
31	21302030	1	Long Blade Splash Guard
32	60110406	1	Screw M4 x 20 INOX
33	48613010	1	Splash Guard
34	V1302001	1	Splash Guard Assembly
35	63610186	1	Set of (4) Carbon Brushes 10 x 18
36	63714001	1	Saddle Support
37	61930014	1	Hose Clamp

Return to TOC



Return to TOC

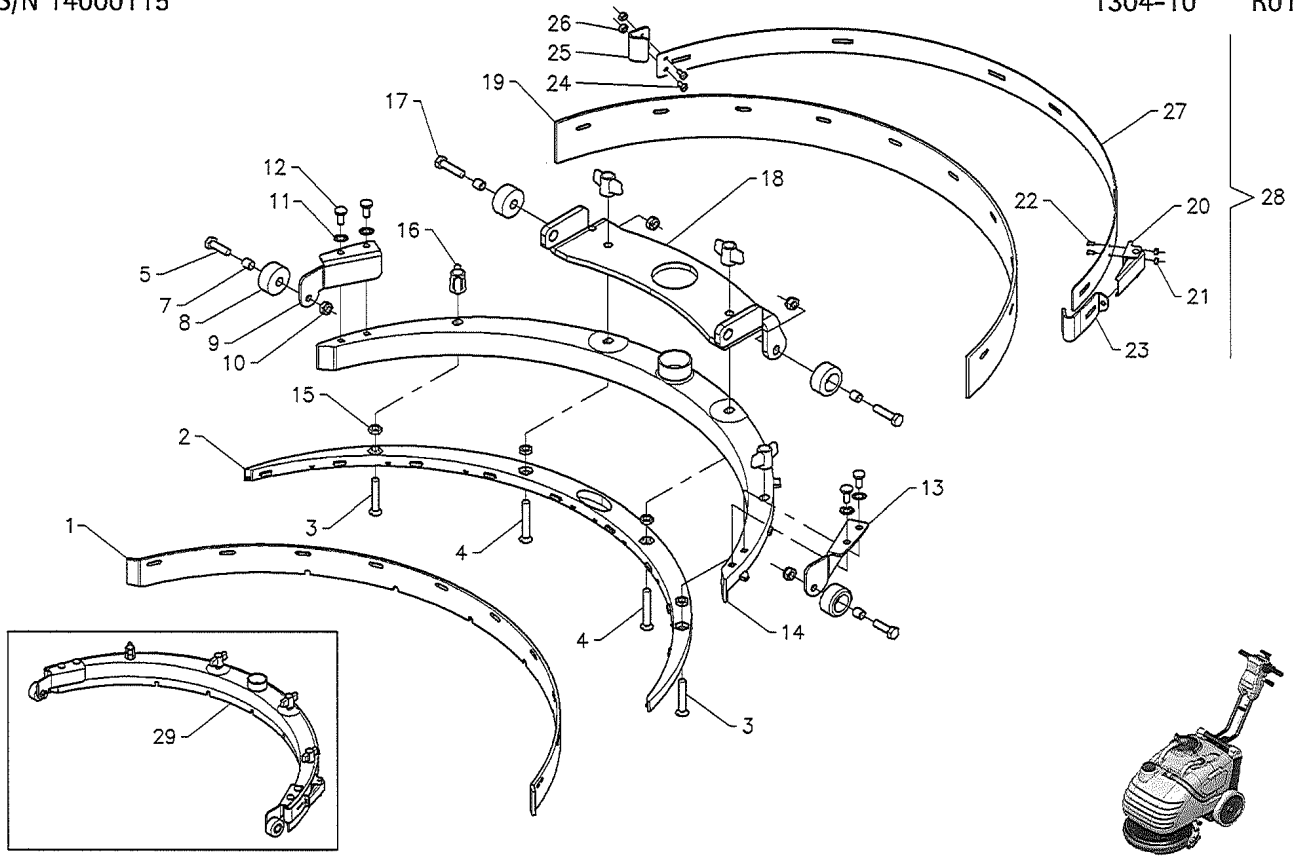
No.	Part No.	Qty.	Description
1	48413010	1	Front Squeegee Rubber
2	48213020	1	Inner Rubber Holder Support
3	60170605	2	Screw M6 x 35 INOX
4	60170606	2	Screw M6 x 40 INOX
5	60110611	2	Screw M6 x 20 INOX
6	60306005	4	Washer INOX
7	47110010	4	Bushing
8	46550010	4	Wheel
9	21304020	1	Right Wheel Support
10	60220602	4	Lock Nut INOX
11	60505003	4	Lock Washer INOX
12	60140509	4	Screw M5 x 12 INOX
13	21304030	1	Left Wheel Support
14	48213010	1	Squeegee Body
15	60210601	4	Nut INOX
16	61706004	4	Wing Nut INOX
17	60110616	2	Screw M6 x 25 INOX
18	21305060	1	Squeegee Coupling
19	48413020	1	Rear Squeegee Rubber
20	62200006	1	Closing INOX
21	60210201	2	Nut INOX
22	60170305	2	Screw M2.5 x 6 INOX
23	21304010	1	Rear Coupler
24	60170305	2	Screw M2.5 x 6 INOX
25	21304040	1	Hook
26	60210201	2	Nut INOX
27	48313010	1	Rear Blade
28	V8313010	1	Rear Blade Assembly

Return to TOC

S/N 14000115

1304-10

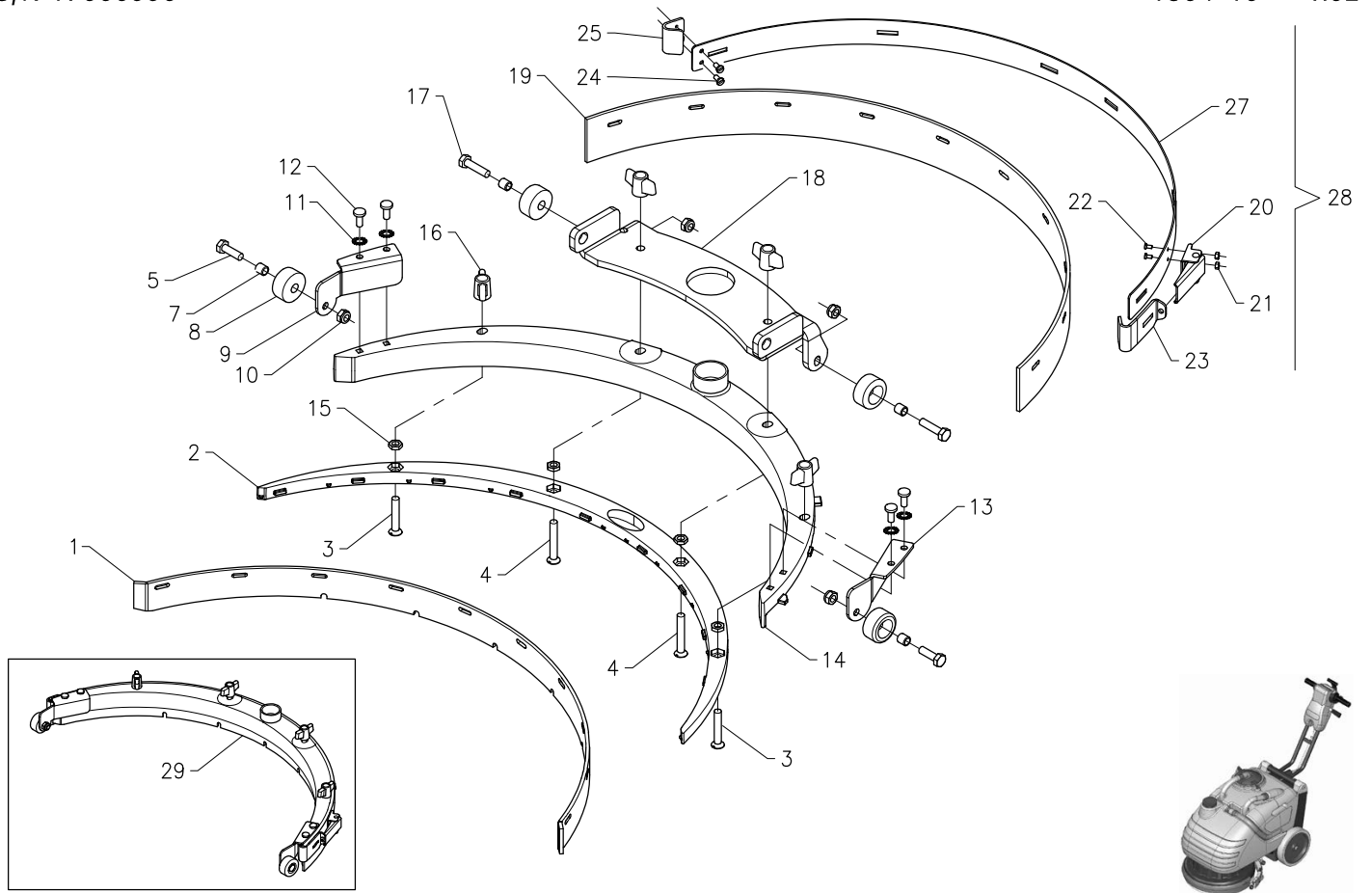
R01



Return to TOC

No.	Part No.	Qty	Description
1	48413030	1	Oil Resistant Front Squeegee Rubber
2	48213020	1	Inner Rubber Holder Support
3	60170605	2	Screw M6 x 35 INOX
4	60170606	2	Screw M6 X 40 INOX
5	60110611	2	Screw M6 x 20 INOX
7	47110010	4	Bushing
8	46550010	4	Soft Wheel
	46550020		Hard Wheel
9	21304020	1	Right Wheel Support
10	60220602	4	Lock Nut INOX
11	60505003	4	Lock Washer INOX
12	60140509	4	Screw M5 X12 INOX
13	21304030	1	Left Wheel Support
14	48213010	1	Squeegee Body
15	60210601	4	Nut INOX
16	61706004	4	Wing Nut INOX
17	60110616	2	Screw M6 x 25 INOX
18	21305060	1	Squeegee Coupling
19	48413040	1	Oil Resistant Rear Squeegee Rubber
20	62200006	1	Closing INOX w/Screw M4 x 35
21	60210201	2	Nut INOX
22	60170306	2	Screw M2.5 x 8 INOX
23	21304010	1	Rear Coupler
24	60170306	2	Screw M2.5 x 8 INOX
25	21304040	1	Rear Final Part
26	60210201	2	Nut INOX
27	48313010	1	Rear Blade
28	V8313010		Rear Blade Assembly
29	V8213010	1	Complete Squeegee Assembly

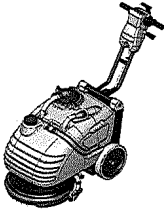
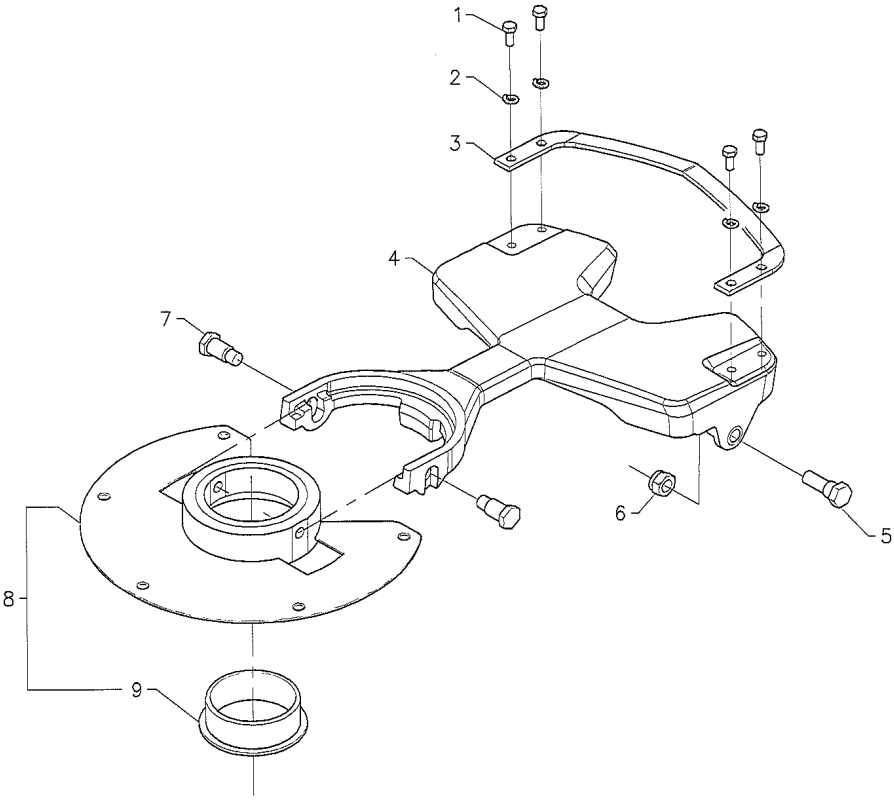
Return to TOC



Return to TOC

No.	Part No.	Qty	Description
1	48413030	1	Oil Resistant Front Squeegee Rubber
2	48213020	1	Inner Rubber Holder Support
3	60170605	2	Screw M6 x 35 INOX
4	60170606	2	Screw M6 X 40 INOX
5	60110611	2	Screw M6 x 20 INOX
7	47110010	4	Bushing
8	46550010	4	Soft Wheel (Black)
	46550020	AR	Hard Wheel (Grey)
9	21304020	1	Right Wheel Support
10	60220602	4	Lock Nut INOX
11	60505003	4	Lock Washer INOX
12	60140509	4	Screw M5 X12 INOX
13	21304030	1	Left Wheel Support
14	48213010	1	Squeegee Body
15	60210601	4	Nut INOX
16	61706004	4	Wing Nut INOX
17	60110616	2	Screw M6 x 25 INOX
18	21305060	1	Squeegee Coupling
19	48413040	1	Oil Resistant Rear Squeegee Rubber
20	62200006	1	Closing INOX w/Screw M4 x 35
21	60210201	2	Nut INOX
22	60170306	2	Screw M2.5 x 8 INOX
23	21304010	1	Rear Coupler
24	60170308	2	Screw M2.5 x 4 INOX
25	21304040	1	Rear Final Part
27	48313010	1	Rear Blade
28	V8313010	1	Rear Blade Assembly
29	V8213010	1	Complete Squeegee Assembly

Return to TOC

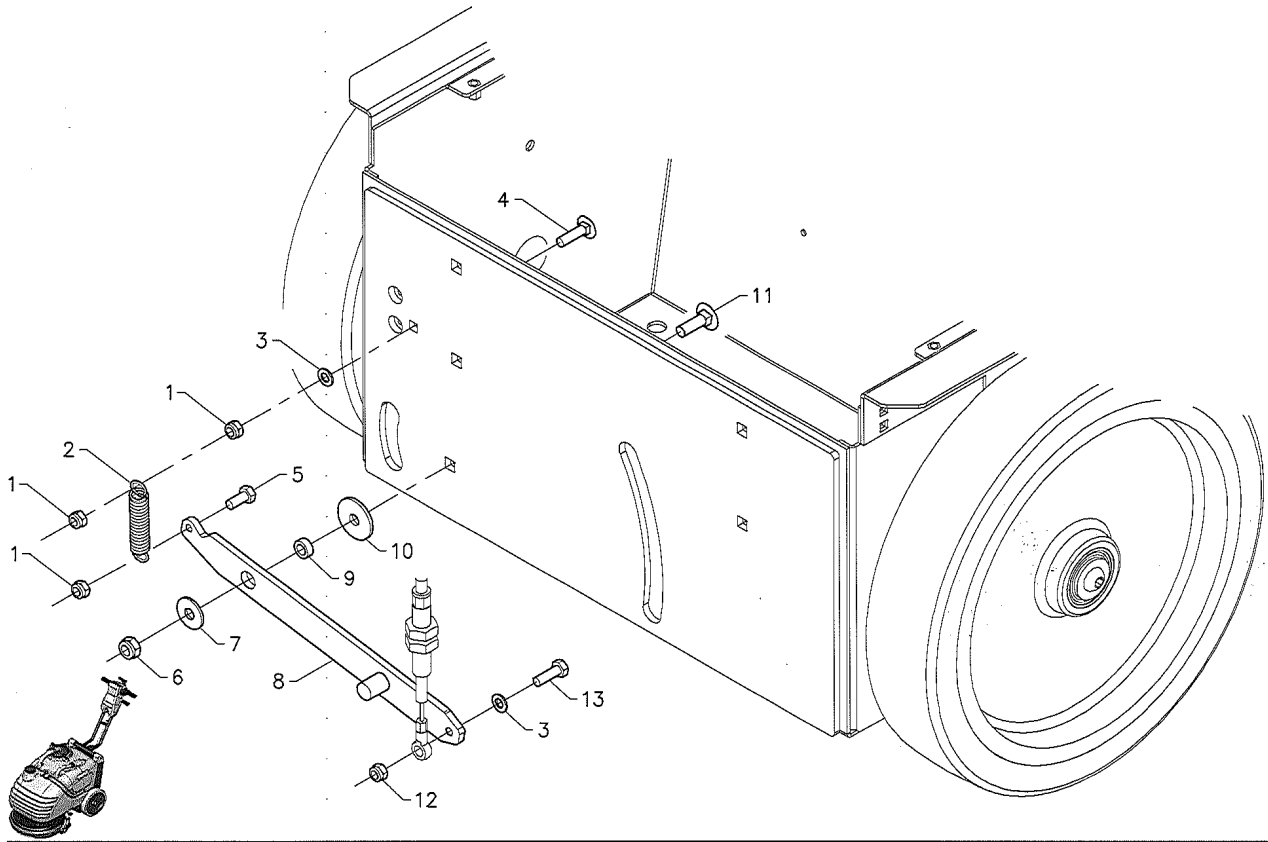


[Return to TOC](#)



No.	Part No.	Qty.	Description
1	60110503	4	Screw M5 x 12 INOX
2	60505003	4	Lock Washer INOX
3	21305080	1	U-Support Squeegee Lifting
4	21305010	1	Squeegee Arm
5	20203050	2	Stud Bolt
6	60220803	2	Lock Nut INOX
7	21305050	2	Stud Bolt
8	V1305001	1	Arm Joint Assembly
9	47113010	1	Bushing

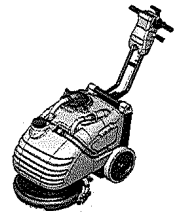
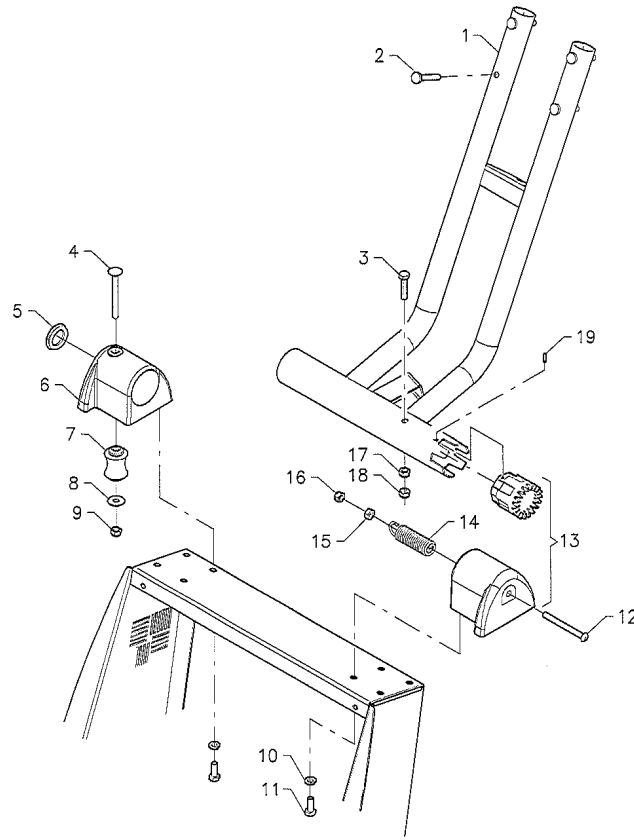
[Return to TOC](#)



Return to TOC

No.	Part No.	Qty.	Description
1	60220503	3	Lock Nut INOX
2	47220040	1	Spring
3	60305002	1	Washer
4	60100503	1	Screw M5 x 20 INOX
5	60110503	1	Screw M5 x 12 INOX
6	60220602	1	Lock Nut INOX
7	60306008	1	Washer INOX
8	21305090	1	Lifting Lever Squeegee
9	47113020	1	Bushing
10	60306011	1	Washer INOX
11	60100611	1	Screw M6 x 20 INOX
12	60220503	1	Lock Nut INOX
13	60110507	1	Screw M5 x 16 INOX

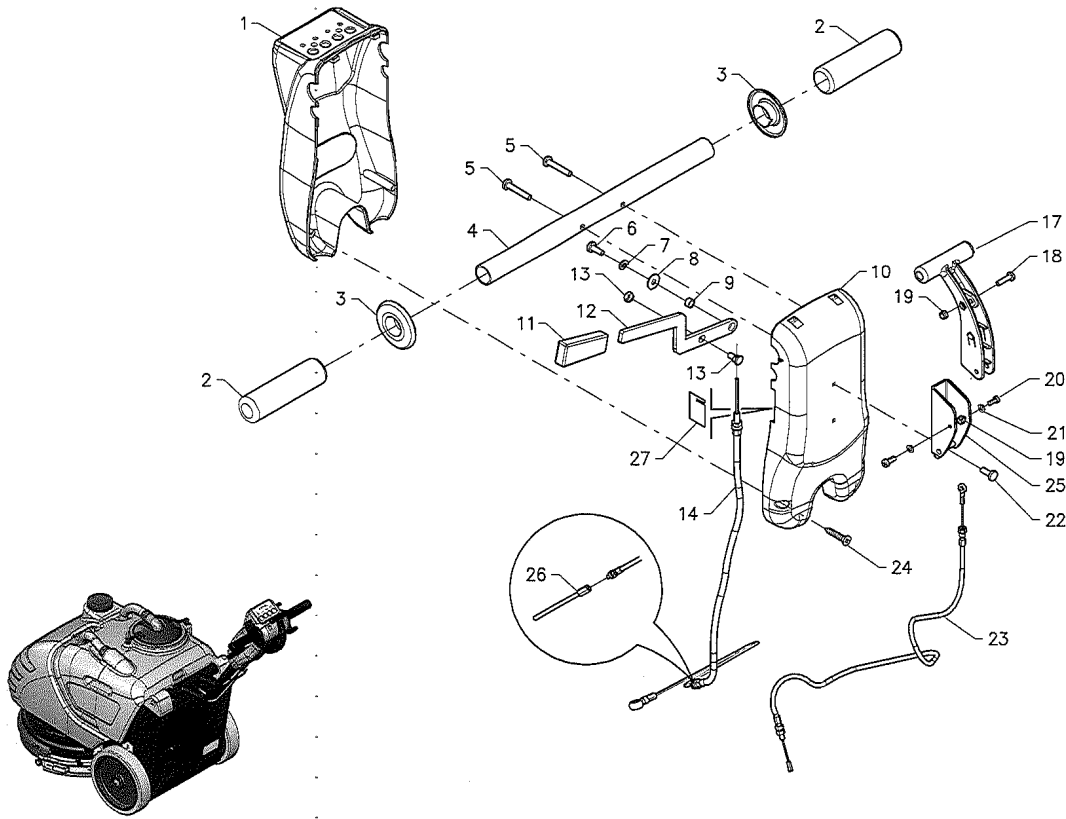
Return to TOC



Return to TOC

No.	Part No.	Qty.	Description
1	21309010	1	Handlebar Tube
2	60110619	4	Screw M6 x 35
3	60110627	1	Screw M6 x 50
4	60100618	1	Screw M6 x 60
5	62030020	1	Cover
6	21009020	1	Right Support
7	21009040	1	Reel
8	60306007	1	Washer
9	60220603	1	Lock Nut
10	60506005	1	Lock Washer
11	60110608	1	Screw M6 x 16
12	60100696	1	Screw M6 x 60
13	V1009010	1	Support Toothed Assy
14	47220090	1	Traction Spring
15	60210608	1	Nut
16	60220601	1	Lock Nut
17	60220603	1	Lock Nut
18	62040003	1	Nut Cover
19	60603002	1	Spring Pin

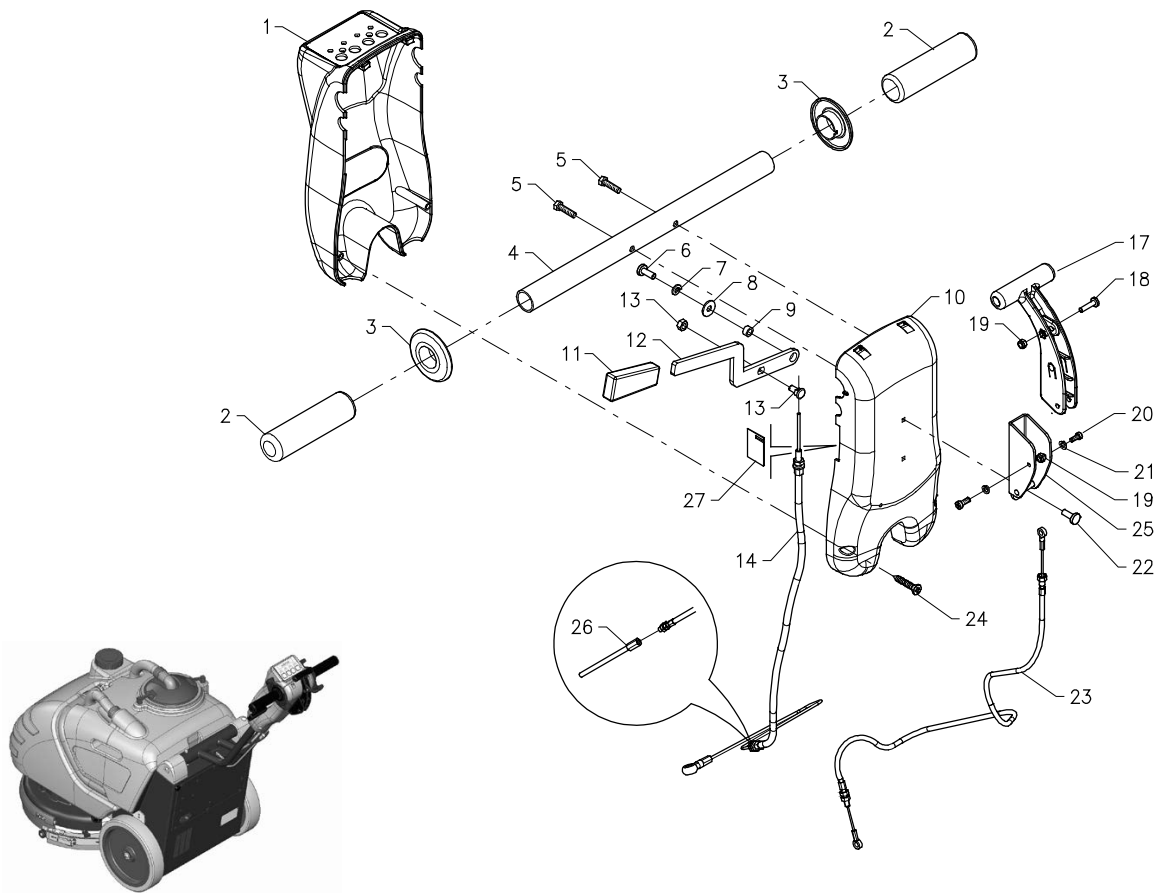
Return to TOC



Return to TOC

No.	Part No.	Qty.	Description
1	49210020	1	Handlebar Cover
2	61810001	2	Knob
3	20109020	2	Protection Knob
4	20109010	1	Handlebar Tube
5	60110619	2	Screw M6 x 35
6	60140602	1	Screw M6 x 20
7	60506005	1	Lock Washer
8	60306007	1	Washer
9	47110030	1	Bushing
10	49210010	1	Handlebar Body
11	61810002	1	Flat Knob
12	21009050	1	Release Lever
13	62406030	1	Holdfast + Nut
14	21309020	1	Handle Bar Cable
17	21005050	1	Squeegee Lever
18	60140506	1	Screw M5 x 20
19	60220502	3	Lock Nut
20	60100505	2	Screw M5 x 12
21	60505001	2	Lock Washer
22	60140508	2	Screw M5 x 12
23	21305070	1	Squeegee Cable
24	60190406	2	Screw M4 x 25
25	21005040	1	Support Lever
26	21009090	1	Extension Sheath
27	21009080	1	Handle Bar Protection

[Return to TOC](#)

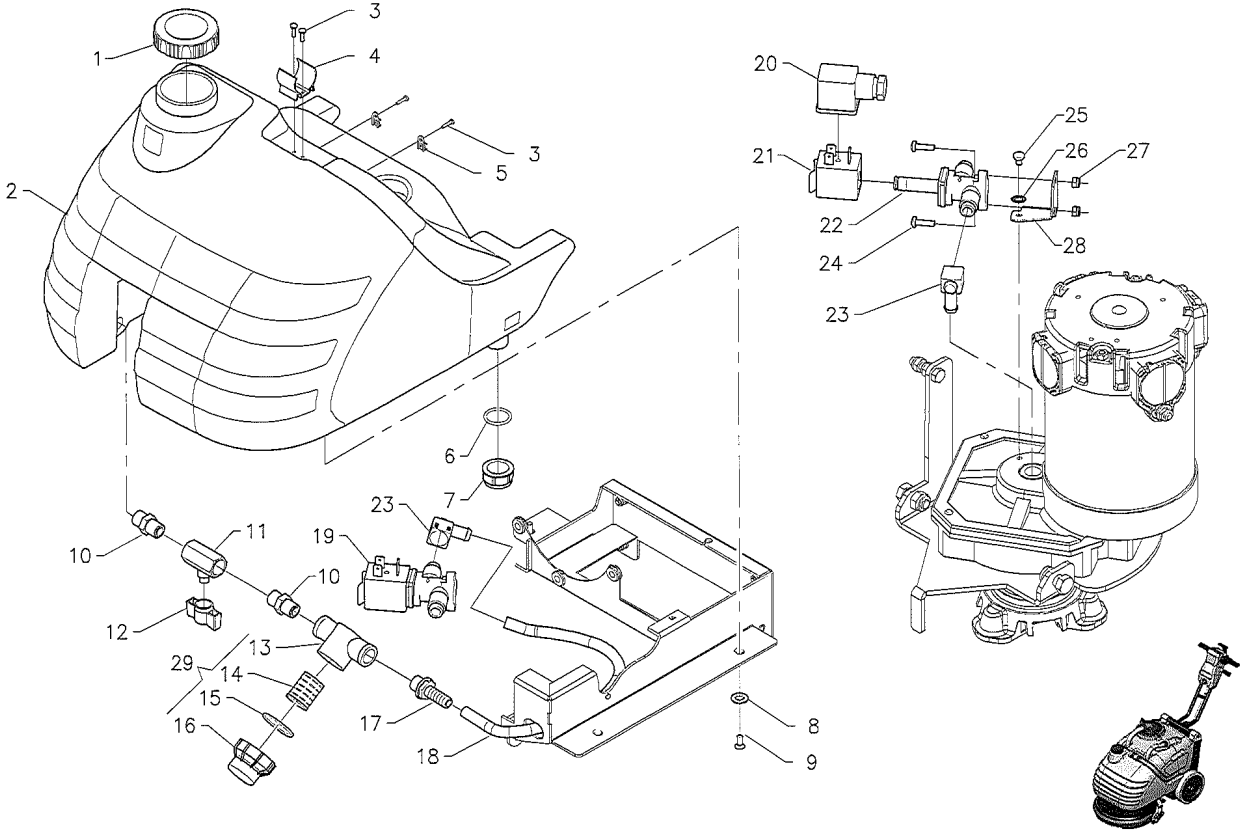


Return to TOC



No.	Part No.	Qty	Description
1	49210020	1	Handlebar Cover Order w/ 65091020 Overlay
2	61810001	2	Handgrip
3	20109020	2	Handgrip Protection
4	20109010	1	Handlebar Tube
5	60190601	2	Screw M6 x 35
6	60140602	1	Screw M6 x 16
7	60506005	1	Lock Washer
8	60306007	1	Washer
9	47110030	1	Bushing
10	49210010	1	Handlebar Body
11	61810002	1	Flat Knob
12	21009050	1	Release Lever
13	62406030	1	Holdfast + Nut
14	21309020	1	Handle Bar Release Cable
17	21005050	1	Squeegee Lever
18	60140506	1	Screw M5 x 20
19	60220502	3	Lock Nut
20	60100505	2	Screw M5 x 12
21	60505001	2	Lock Washer
22	60140508	2	Screw M5 x 12
23	21305070	1	Squeegee Lift Cable
24	60190406	2	Screw M4 x 25
25	21005040	1	Lever Support
26	21009090	1	Extension Sheath
27	21009080	1	Handle Bar Protection

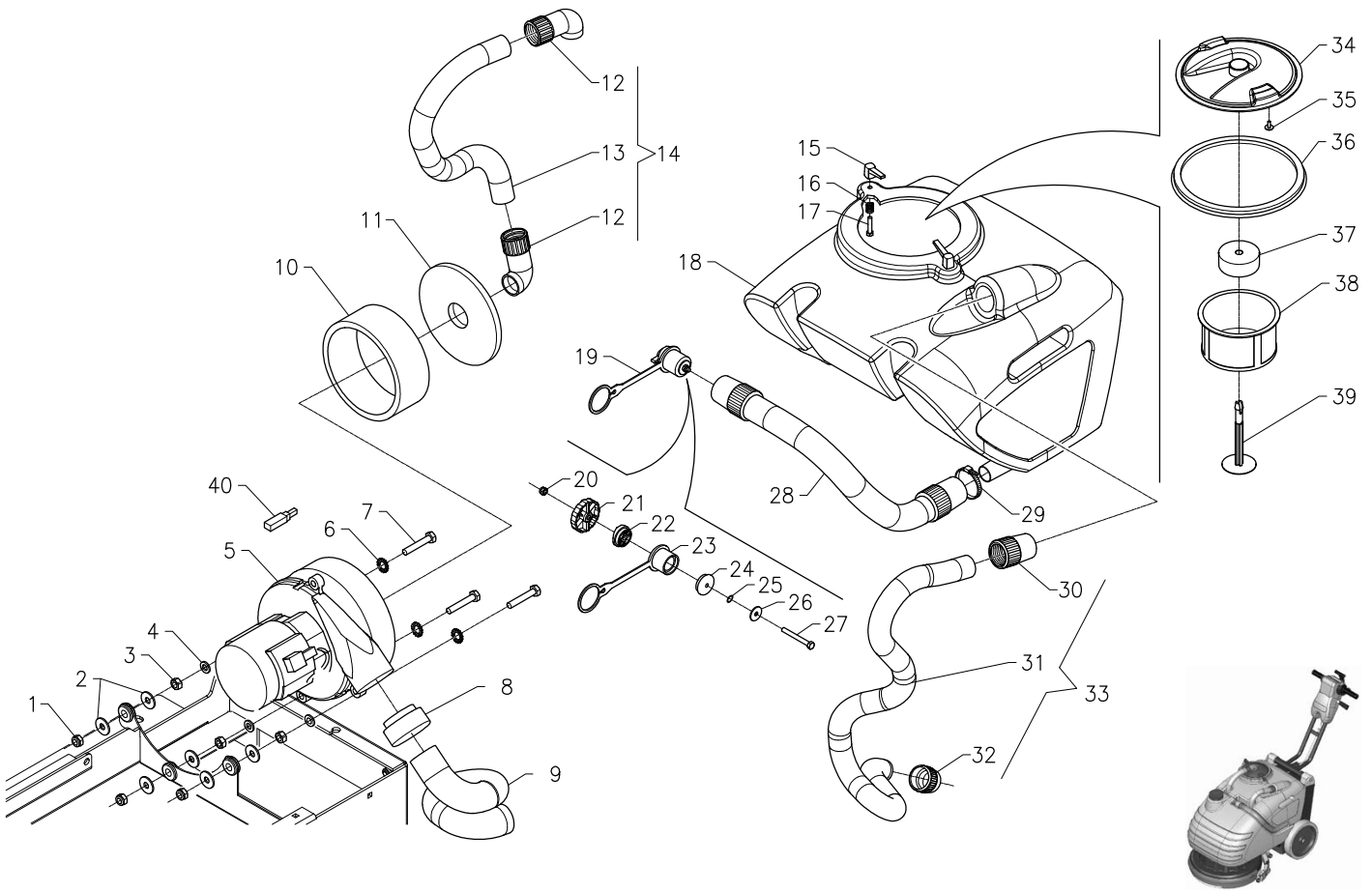
Return to TOC



Return to TOC

No.	Part No.	Qty.	Description
1	62350010	1	Solution Tank Cover
2	47313010	1	Solution Tank
3	60190310	4	Screw M3.9 x 14
4	61940004	1	Hose Fixing Clip
5	63714002	2	Eye Support
6	62370008	1	Gasket
7	62350009	1	Plug
8	60310002	4	Washer
9	60180604	4	Screw M6 x 16
10	62360060	2	Nipple
11	62310006	1	Solution Valve
12	61820006	1	Lever
13	47900190	1	Filter Body
14	47900180	1	Filter Cartridge
15	47900210	1	O-Ring
16	47900200	1	Filter Plug
17	62340050	1	Straight Fitting
18	47630740	1	Hose
19	47532050	1	Solenoid Valve Assembly
20	47597010	1	Square Connector
21	47522030	1	Coil
22	47512090	1	Solenoid Valve Body
23	62340260	2	Bent Fitting
24	60110403	2	Screw M4 x 14 INOX
25	60140409	1	Screw M4 x 8
26	60504001	1	Lock Washer INOX
27	60220403	2	Lock Nut INOX
28	21302020	1	Solenoid Valve Support
29	47900170	1	Filter

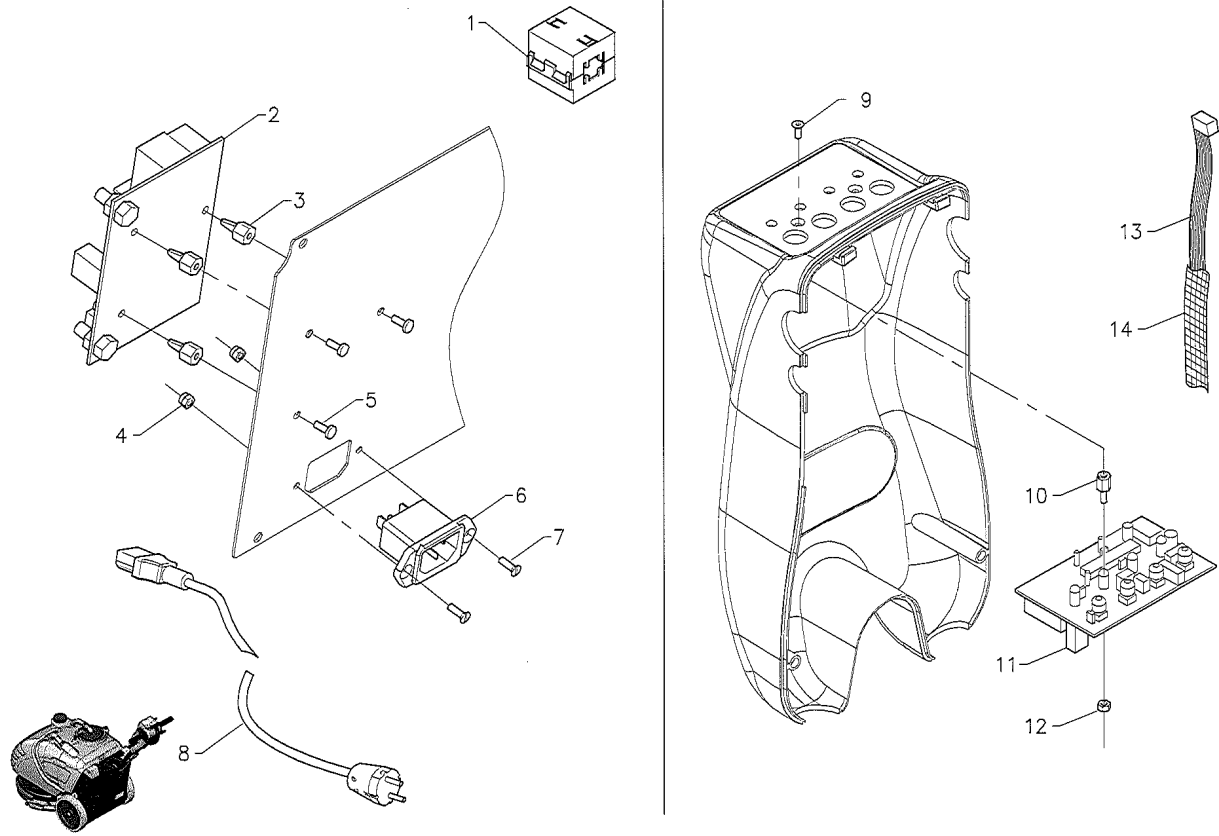
[Return to TOC](#)



Return to TOC

No.	Part No.	Qty.	Description
1	60220601	3	Lock Nut
2	60306007	6	Washer
3	60210608	3	Nut
4	60306003	3	Washer
5	49320150	1	Suction Motor
6	60506002	3	Lock Washer
7	60110619	3	Screw M6 x 35
8	20810040	1	Coupler
9	47610410	1	Air Hose Exhaust
10	48110010	1	Side Deadening Suction
11	48110020	1	Lower Deadening Suction
12	21010020	2	Bent Fitting
13	47610420	1	Suction Hose
14	47610425	1	Suction Hose + Couplers
15	61820002	2	Blocking Lever
16	47210080	2	Compression Spring INOX
17	60110618	2	Screw M6 x 30 INOX
18	47313020	1	Recovery Tank
19	V1310001	1	Exhaust Plug Assembly
20	60220503	1	Lock Nut INOX
21	21310040	1	Wing Nut Exhaust Plug
22	21310030	1	Exhaust Plug Cover
23	21310010	1	Exhaust Plug Rubber
24	21310020	1	Exhaust Plug Bottom
25	61300401	1	O-Ring
26	60305006	1	Washer INOX
27	60110528	1	Screw M5 x 45 INOX
28	47610405	1	Exhaust Hose
29	61930010	1	Hose Clamp
30	21010010	1	Hose Coupler
31	47610430	1	Squeegee Hose
32	21010040	1	Coupler Squeegee Hose
33	47610435	1	Squeegee Hose + Couplers
34	21010030	1	Filter Cap
35	60120403	3	Screw M4 x 10 NYLON
36	47800010	1	Filter Cap Gasket
37	20110070	1	Float
38	47900010	1	Float Filter
39	20110060	1	Rod With Plate

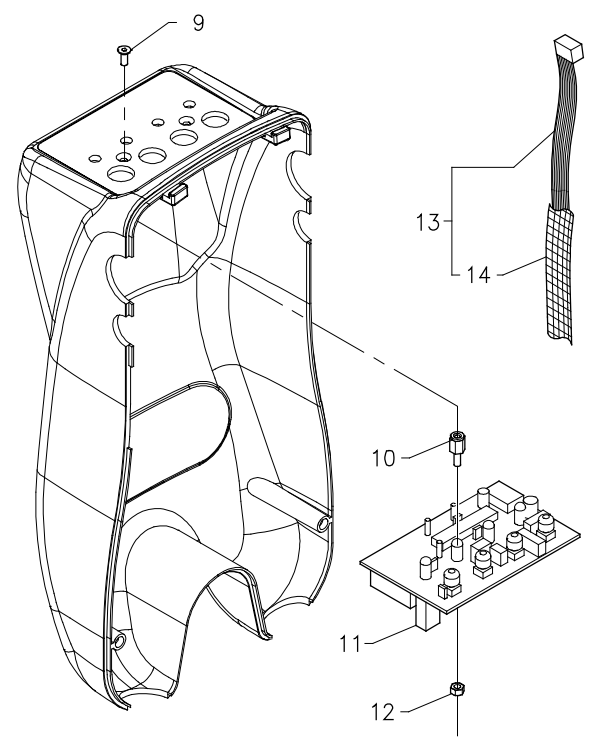
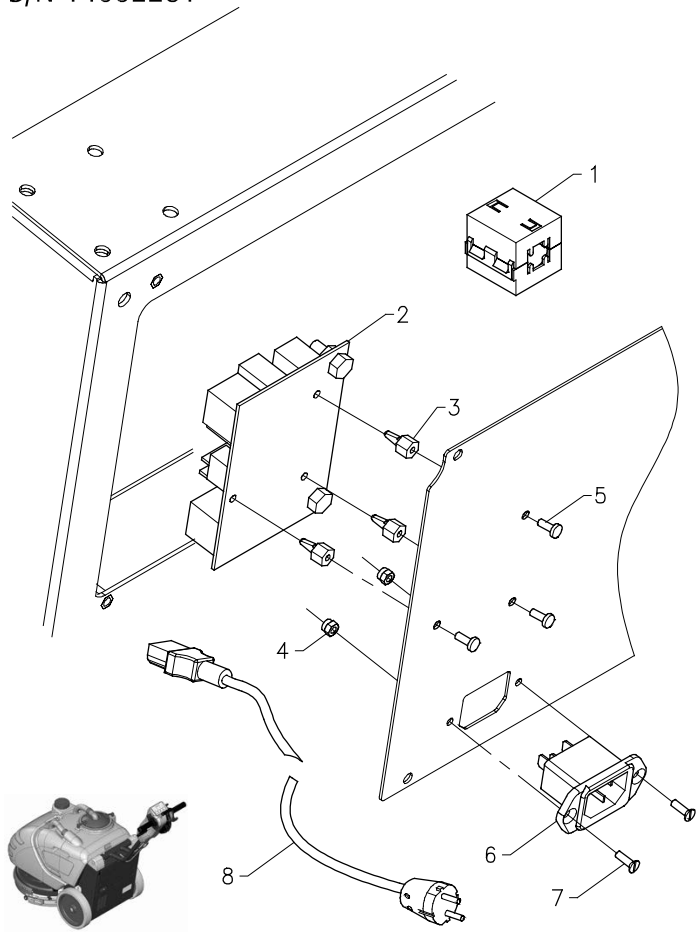
Return to TOC



[Return to TOC](#)

No.	Part No.	Qty.	Description
1	63715005	1	Ferrite with Quick Coupling
2	49705050	1	Check Card Relay
3	63705003	3	Coupler Check Card
4	60220301	2	Lock Nut
5	60190304	3	Screw M3.5 x 6.5
6	62600001	1	Mains Plug
7	60170304	2	Screw M3 x 10 INOX
8	64610015	1	Recharger Cable
9	60170303	2	Screw M3 x 8 INOX
10	62406022	2	Hexagonal Spacer
11	49704090	1	Check Card Controls
12	60210304	2	Nylon Nut
13	49810009	1	Cable + Sheath
14	47807100	1	Sheath

[Return to TOC](#)

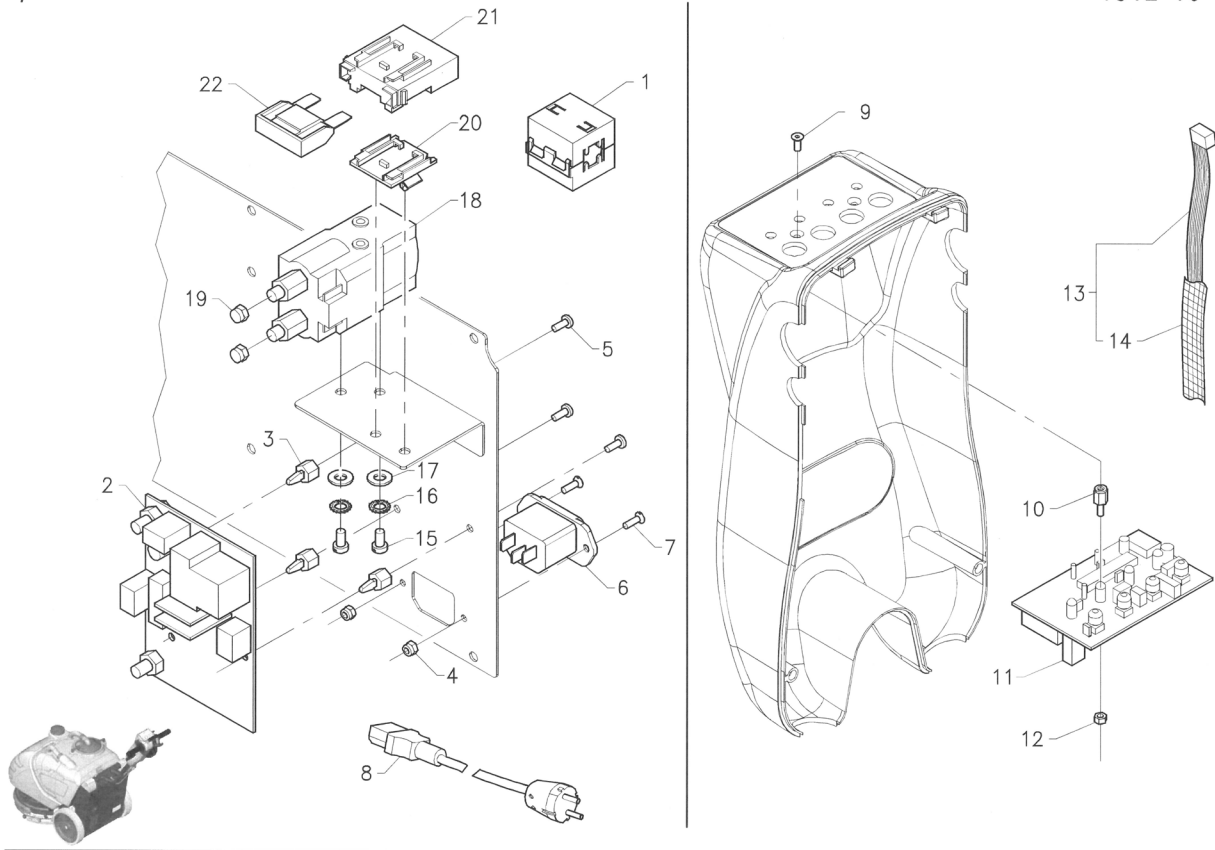


Return to TOC



No.	Part No.	Qty	Description
1	63715005	1	Ferrite with Quick Coupling
2	49705040	1	Relay Check Card
3	63705003	3	Coupler Check Card Plastic Pin
4	60220301	2	Lock Nut
5	60190304	3	Screw M3.5 x 6.5
6	62600001	1	Main Plug
7	60150303	2	Screw M3 x 10 INOX
8	64610012	1	Recharger Cable
9	60170303	2	Screw M3 x 8 INOX
10	62406022	2	Hexagonal Spacer
11	49704090	1	Control Check Card
12	60210304	2	Nylon Nut
13	49810009	1	Cable and Sheath
14	47807100	1	Sheath

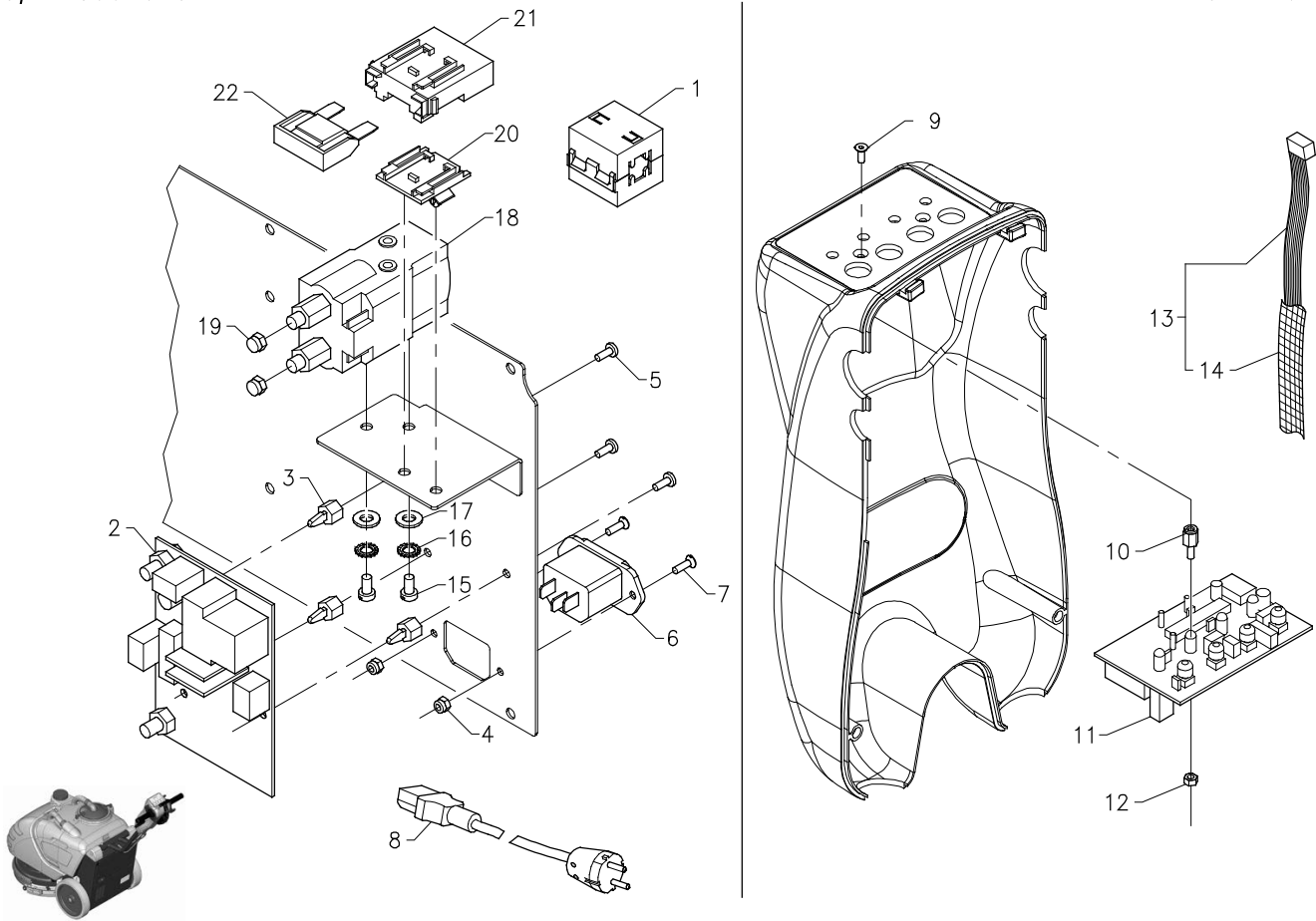
Return to TOC



Return to TOC

No.	Part No.	Qty	Description
1	63715005	1	Ferrite with Quick Coupling
2	49705060	1	Relay Check Card
3	63705003	3	Coupler Check Card Plastic Pin
4	60220301	2	Lock Nut
5	60190304	3	Screw M3.5 x 6.5
6	62600001	1	Main Plug
7	60150303	2	Screw M3 x 10 INOX
8	64610015	1	Recharger Cable
9	60170303	2	Screw M3 x 8 INOX
10	62406022	2	Hexagonal Spacer
11	49704140	1	Control Check Card
12	60210304	2	Nylon Nut
13	49810009	1	Cable and Sheath
14	47807100	1	Sheath
15	60140401	2	Screw M4 x 8
16	60504001	2	Lock Washer
17	60304004	2	Washer
18	49620110	1	Remote Control Switch
19	62040003	2	Black Nut Cover
20	63717002	1	Fixing plate
21	62800002	1	Fuseholder
22	62805001	1	Fuse 50A

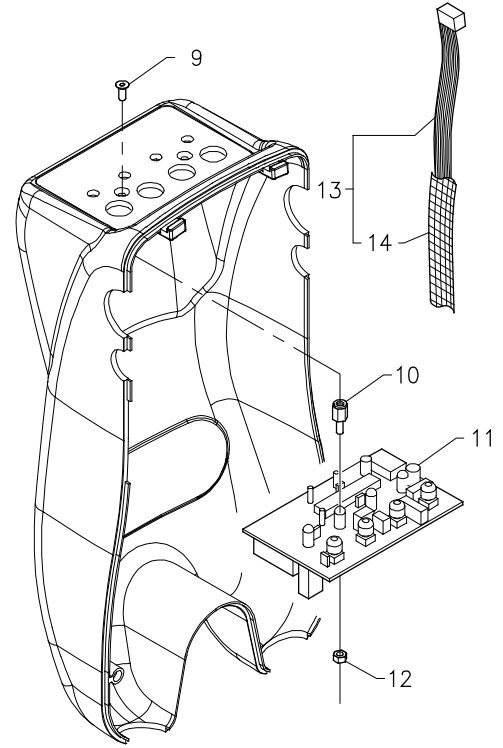
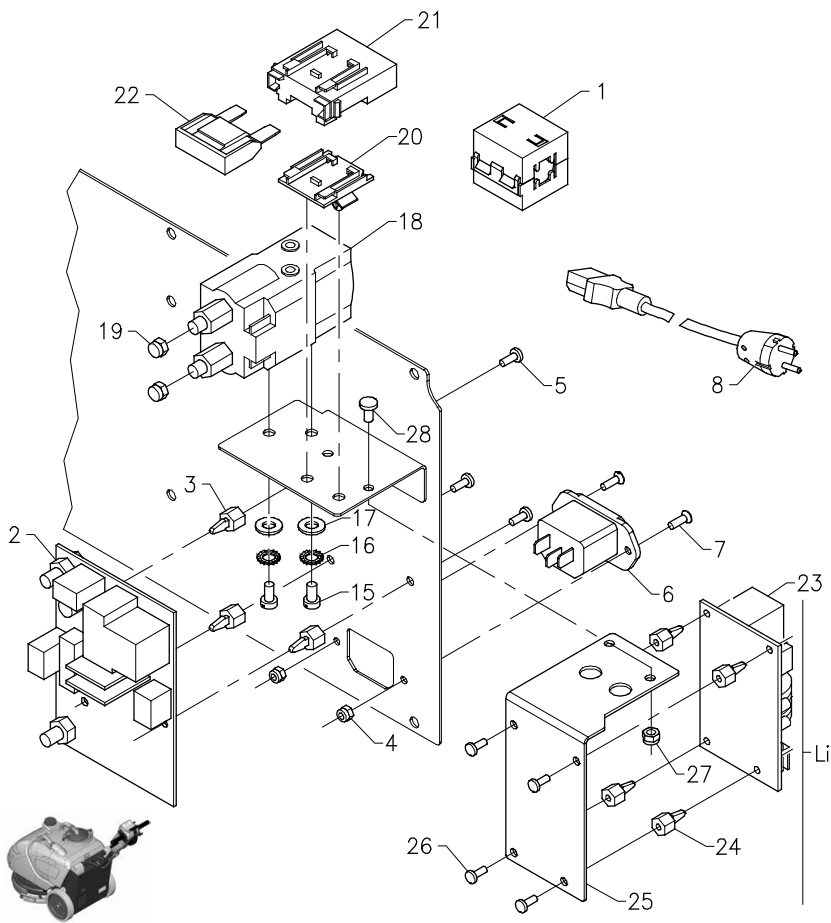
[Return to TOC](#)



Return to TOC

No.	Part No.	Qty	Description
1	63715005	1	Ferrite with Quick Coupling
2	49705060	1	Relay Check Card
3	63705003	3	Coupler Check Card Plastic Pin Plastic Pin
4	60220301	2	Lock Nut
5	60190304	3	Screw M3.5 x 6.5
6	62600001	1	Main Plug
7	60150303	2	Screw M3 x 10 INOX
8	64610015	1	Recharger Cable
9	60170303	2	Screw M3 x 8 INOX
10	62406022	2	Hexagonal Spacer
11	49704140	1	Control Check Card
12	60210304	2	Nylon Nut
13	49810009	1	Flat Cable and Sheath
14	47807100	1	Sheath
15	60140401	2	Screw M4 x 8
16	60504001	2	Lock Washer
17	60304004	2	Washer
18	49620110	1	Remote Control Switch 80A
19	62040003	2	Nut Cover
20	63717002	1	Fixing Plate
21	62800002	1	Fuseholder
22	62803001	1	Fuse 30A

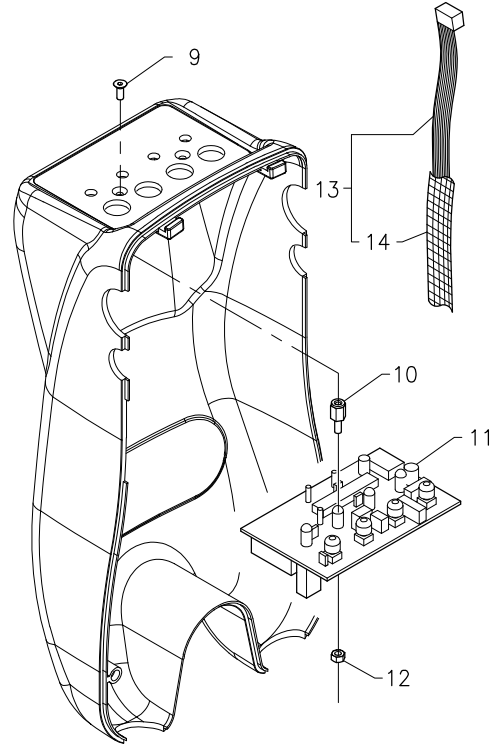
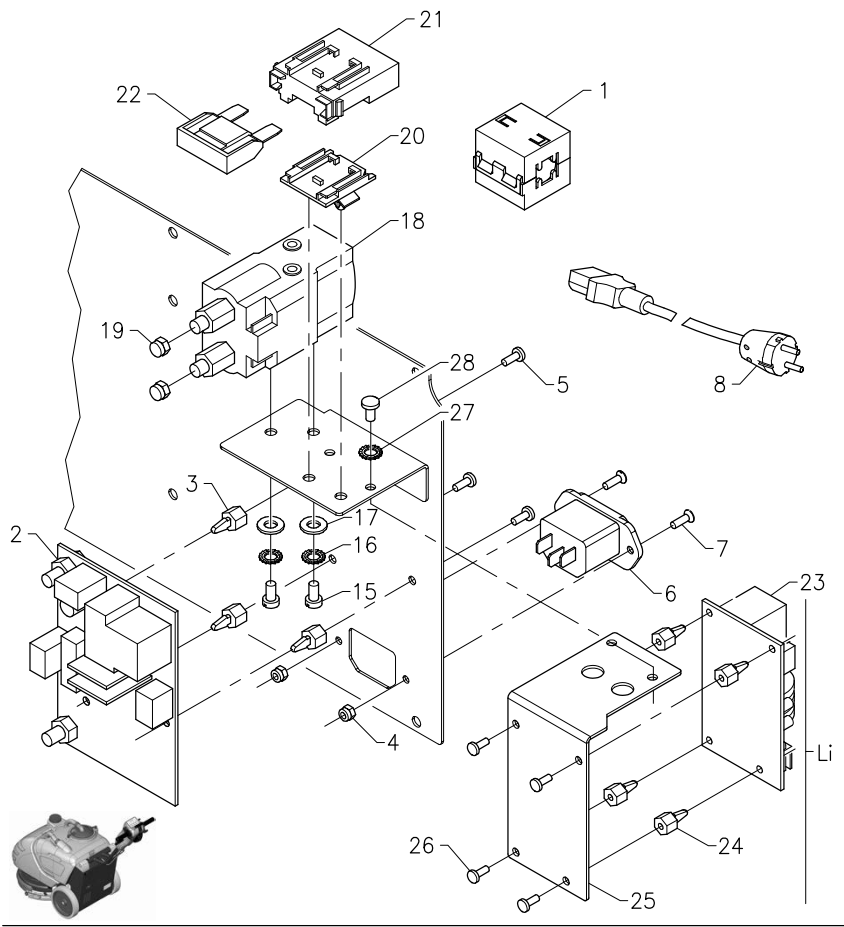
[Return to TOC](#)



Return to TOC

No.	Part No.	Qty	Description
1	63715005	1	Ferrite With Quick Coupling
2	49705060	1	Relay Check Card
3	63705003	3	Check Card Coupler
4	60220301	2	Lock Nut
5	60190304	3	Screw M3.5 x 6.5
6	62600001	1	Main Plug
7	60150303	2	Screw M3 x 10 INOX
8	64610015	1	Recharger Cable
9	60170303	2	Screw M3 x 8 INOX
10	62406022	2	Hexagonal Spacer
11	49704140	1	Controls Check Card
12	60210304	2	Nut Nylon
13	49810009	1	Flat Cable and Sheath
14	47807100	1	Sheath
15	60140401	2	Screw M4 x 8
16	60504001	2	Lock Washer
17	60304004	2	Washer
18	49620110	1	Remote Control Switch 80A
19	62040003	2	Nut Cover
20	63717002	1	Fixing Plate
21	62800002	1	Fuseholder
22	62803001	1	Fuse 30A
23	49707002	1	Relay Check Card Brush Mot. Li ONLY
24	63705003	4	Check Card Coupler
25	21312010	1	Relay Check Card Support LI ONLY
26	60190304	4	Screw M3.5 x 6.5
27	60220403	2	Lock Nut INOX
28	60140401	2	Screw M4 x 8

Return to TOC

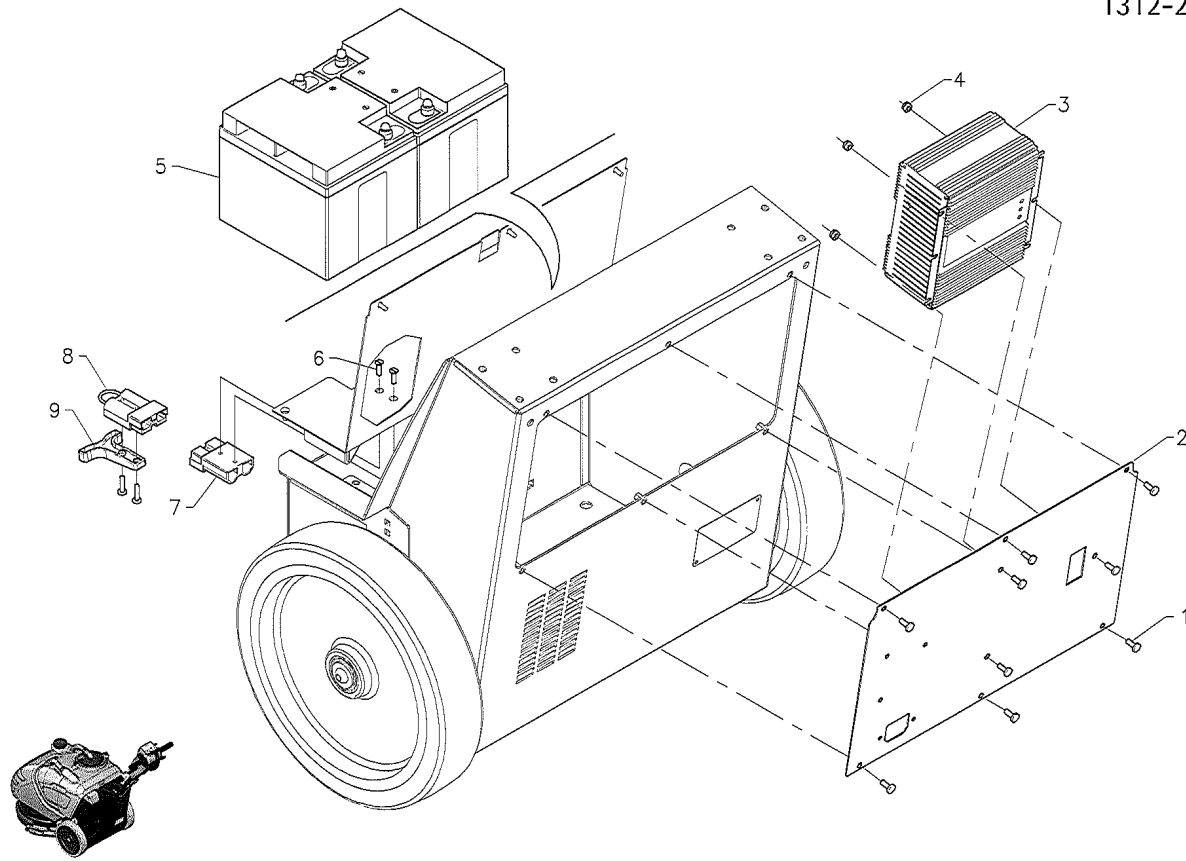


Return to TOC



No.	Part No.	Qty	Description
1	63715005	1	Ferrite With Quick Coupling
2	49705060	1	Relay Check Card
3	63705003	3	Check Card Coupler
4	60220301	2	Lock Nut
5	60190304	3	Screw M3.5 x 6.5
6	62600001	1	Main Plug
7	60150303	2	Screw M3 x 10 INOX
8	64610015	1	Recharger Cable
9	60170303	2	Screw M3 x 8 INOX
10	62406022	2	Hexagonal Spacer
11	49704140	1	Controls Check Card
12	60210304	2	Nut Nylon
13	49810009	1	Flat Cable and Sheath
14	47807100	1	Sheath
15	60140401	2	Screw M4 x 8
16	60504001	2	Lock Washer
17	60304004	2	Washer
18	49620110	1	Remote Control Switch 80A
19	62040003	2	Nut Cover
20	63717002	1	Fixing Plate
21	62800002	1	Fuseholder
22	62803001	1	Fuse 30A
23	49707002	1	Relay Check Card Brush Mot. Li ONLY
24	63705003	4	Check Card Coupler
25	21312010	1	Relay Check Card Support LI ONLY
26	60190304	4	Screw M3.5 x 6.5
27	60504001	2	Lock Washer
28	60140401	2	Screw M4 x 8

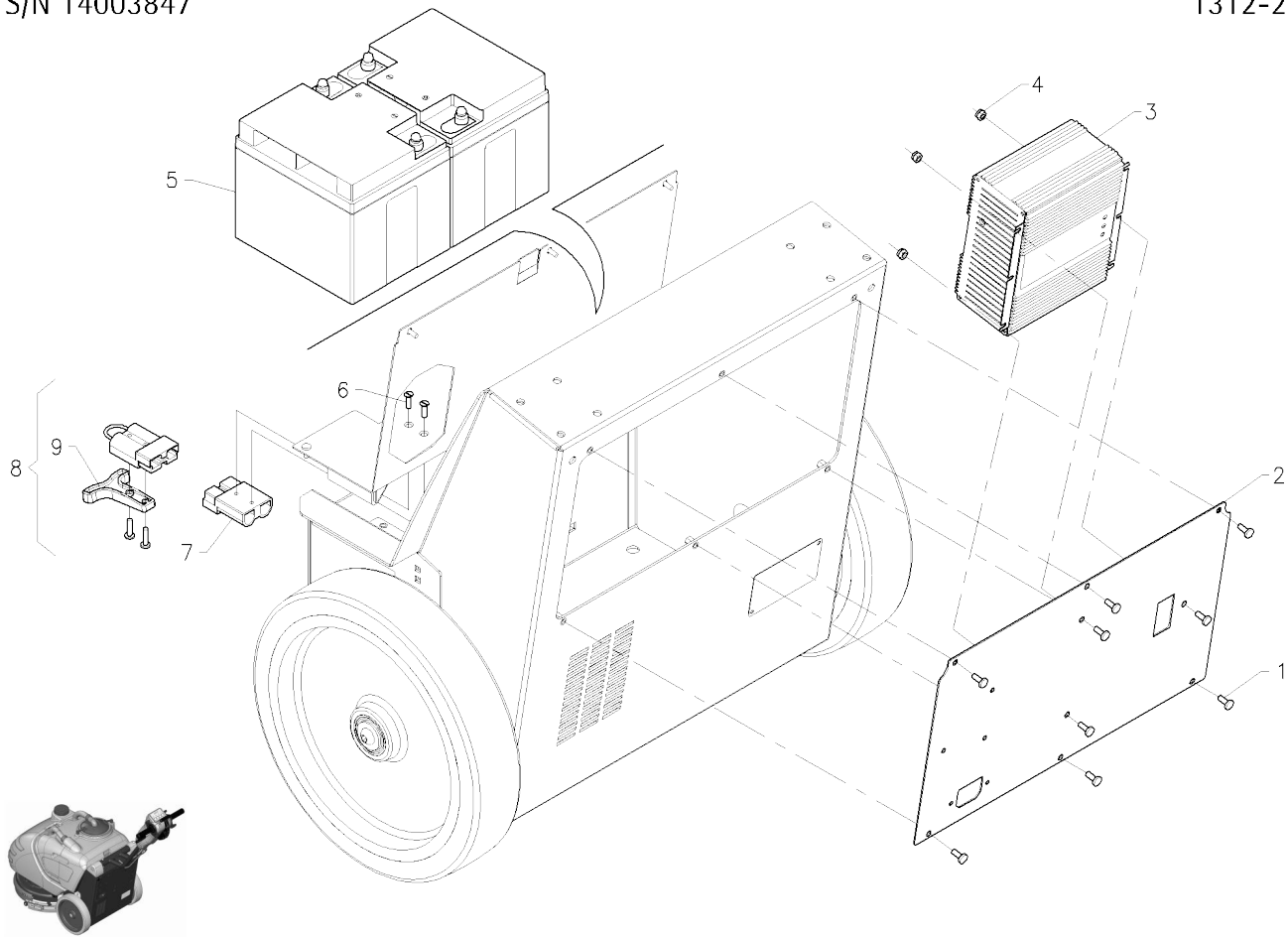
Return to TOC



[Return to TOC](#)

No.	Part No.	Qty.	Description
1	60140407	9	Screw M4 x 10
2	21301020	1	Rear Panel
3	64602021	1	Battery Recharger
4	60220401	3	Lock Nut
5	64520050	2	Battery NP38-12
6	60190310	2	Screw M3.9 x 14
7	63110003	1	Female Bipolar Connector
8	63110002	1	Male Connector
9	63120001	1	Connector Lever

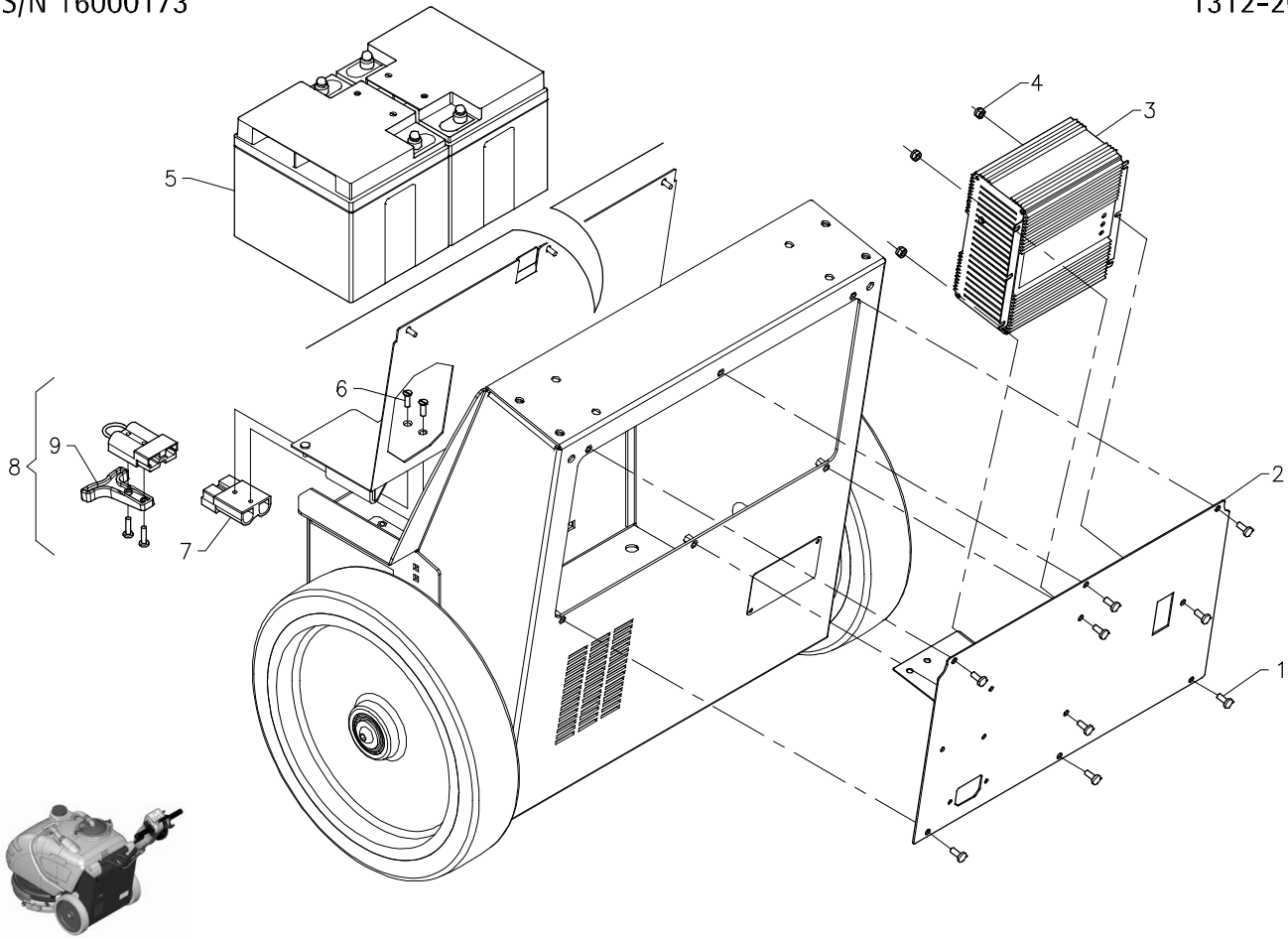
[Return to TOC](#)



Return to TOC

No.	Part No.	Qty	Description
1	60140407	9	Screw M4 x 10
2	21301020	1	Rear Panel
2	21301090	1	Rear Panel (from S/N 16000173)
3	98617	1	Battery 12V 33Ah AGM
4	60220401	3	Lock Nut
5	64520050	2	Battery NP38-12
6	60190415	2	Screw M4.2 x 13
7	63110003	1	Bipolar Connector Female
8	49813012	1	Connector Bridge 50A w/Lever
9	63120001	1	Connector Lever

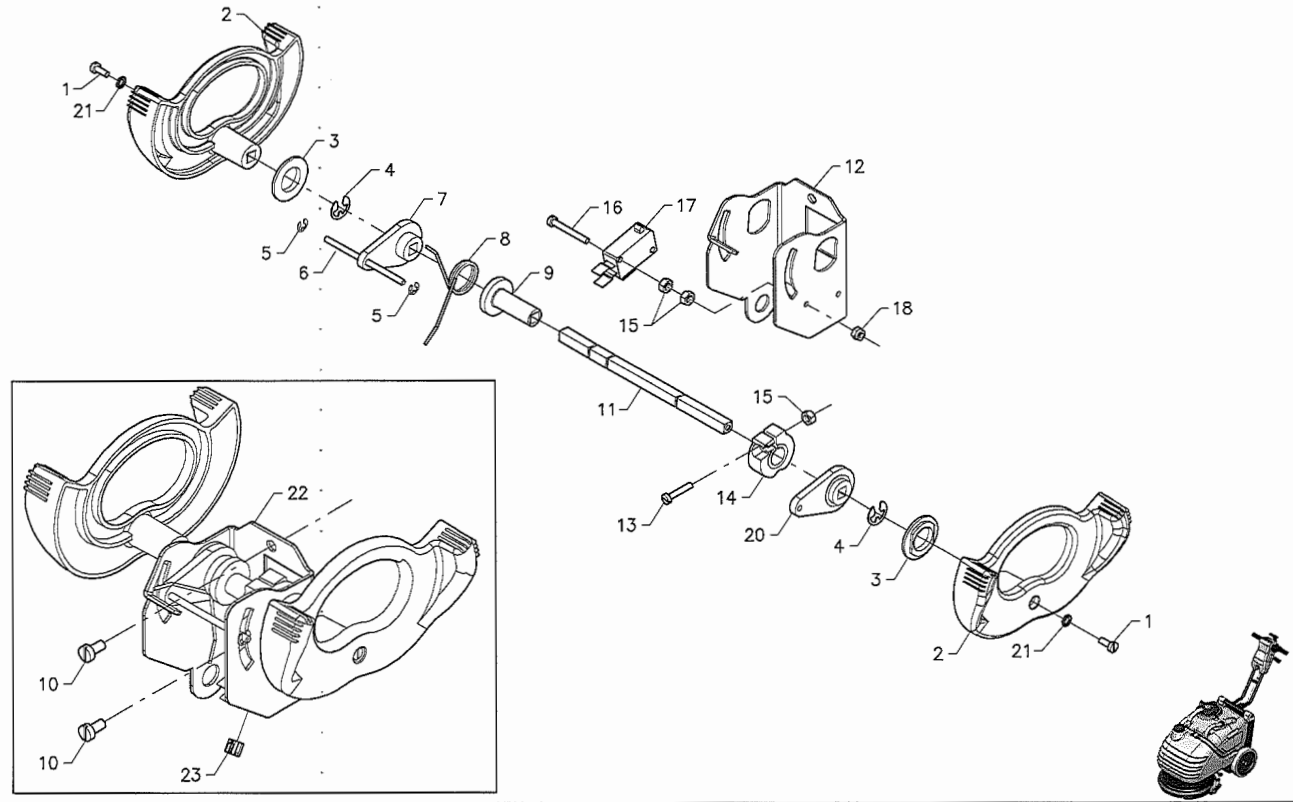
Return to TOC



Return to TOC

No.	Part No.	Qty	Description
1	60140407	9	Screw M4 x 10
2	21301020	1	Rear Panel
2	21301090	1	Rear Panel (from S/N 16000173)
3	64602021	1	Battery Charger 24V-5A
4	60220401	3	Lock Nut
5	98617	2	Battery 12V 33Ah AGM
6	60190415	2	Screw M4.2 x 13
7	63110003	1	Bipolar Connector Female
8	49813012	1	Connector Bridge 50A w/Lever
9	63120001	1	Connector Lever

Return to TOC



[Return to TOC](#)



No.	Part No.	Qty.	Description
1	60140301	2	Screw M3 x 10
2	20113010	2	Drive Control Lever
3	47101080	2	Bushing
4	61140001	2	Stop Ring
5	61140002	2	Selflocking Ring
6	20113090	1	Stop Spring
7	20113050	1	Side Lever Spring
8	47230020	1	Drive Control Spring
9	47101120	1	Bushing
10	60140502	2	Screw M5 x 8
11	20113040	1	Camshaft
12	20113030	1	Drive Control Support
13	60140304	1	Screw M3 x 14
14	20113100	1	Micro Control Cam
15	60210302	1	Brass Nut
16	60140305	1	Screw M3 x 25
17	63409001	1	Microswitch
18	60210302	1	Brass Nut
20	20113060	1	Lever
21	60503002	2	Lock Washer
22	V0113001	1	Drive Control Assembly
23	63714003	1	Clamp Holder Clip

[Return to TOC](#)