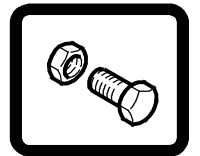




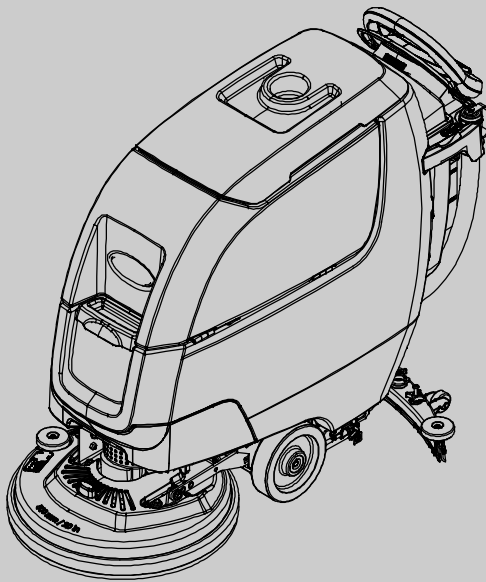
# T300

Walk-behind Floor Scrubber

## Parts Manual



(S/N 10000000-20000000)



*Hygenic<sup>®</sup> Fully Cleanable Recovery Tank*  
**TennantTrue<sup>®</sup> Parts**  
*IRIS<sup>®</sup> a Tennant Technology*



## North America / International

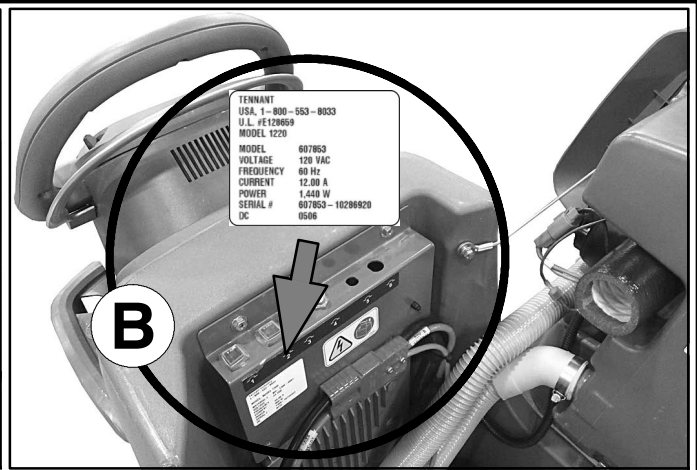


For the latest Parts manuals and other language Operator manuals, visit:

[www.tennantco.com/manual](http://www.tennantco.com/manual)

9014500  
Rev. 10 (05-2022)





Ref	Part No.	Serial Number	Description	Qty.
1	82681	(000000- )	Bracket Wldt, Lpg Mount	1
∇ 2	63810	(000000- )	Latch Assy, Lpg Tank Mtg, W/Nut	4
▲ 3	51839	(000000- )	Nut Adjustable, Lpg Tank Mtg	2
4	49263	(000000- )	Tie, Cable	3
(D)	82556	(000000- 001039)	Bracket, Vaporizer	1
	54930	(000000- )	Vaporizer, LPG	1

**HOW TO ORDER PARTS - See diagram above**

Only use TENNANT Company supplied or equivalent parts. Parts and supplies may be ordered online, by phone, by fax or by mail.

Follow the steps below to ensure prompt delivery.

1. (A) Identify the machine model.
2. (B) Identify the machine serial number from the data label.
3. (C) Ensure the proper serial number is used from the parts list.
4. Identify the part number and quantity. Do not order by page or reference numbers.
5. Provide your name, company name, customer ID number, billing and shipping address, phone number and purchase order number.
6. Provide detail shipping instructions.

- (D) ∇ - identifies an assembly  
 ▲ - identifies parts included in assembly

**Please fill out at time of installation for future reference.**

Model No. - \_\_\_\_\_

Serial No. - \_\_\_\_\_

Machine Options - \_\_\_\_\_

Sales Rep. - \_\_\_\_\_

Sales Rep. phone no. - \_\_\_\_\_

Customer ID Number - \_\_\_\_\_

Installation Date - \_\_\_\_\_

**Tennant Company**  
 10400 Clean Street  
 Eden Prairie, MN 55344-2650  
 USA  
 Phone: (800) 553-8033  
 www.tennantco.com

**TENNANT Cleaning Systems & Equipment (Shanghai) Co., Ltd**  
 Room 608, Building 5, Lane 928  
 Shenhong Road Shanghai, 201106  
 People's Republic of China  
 Phone: 86 21 6700 8000  
 www.tennant.co.cn

**Tennant Company Japan**  
 9F Industry & Trade Center  
 Yokohama, Kanagawa 231-0023  
 Japan  
 Telephone: 81-45-640-5630  
 Fax: 81-45-640-5604  
 www.tennant.co.jp.com

Specifications and parts are subject to change without notice.

Copyright © 2015 - 2022 TENNANT Company, Printed in U.S.A.

<b>ES</b>	<p><b>CÓMO SOLICITAR PIEZAS - Consulte el diagrama anterior.</b></p> <p>Utilice sólo las piezas suministradas por TENNANT Company o piezas equivalentes. Puede solicitar las piezas a través de internet, por teléfono, por fax o por correo.</p> <p>Siga los siguientes pasos para que la entrega sea rápida.</p> <ol style="list-style-type: none"> <li>1. <b>(A)</b> Indique el modelo de máquina.</li> <li>2. <b>(B)</b> Indique el número de serie de la etiqueta de datos.</li> <li>3. <b>(C)</b> Asegúrese de que indica el número de serie correcto de la lista de piezas.</li> <li>4. Indique la cantidad y el número de la pieza. No realice el pedido indicando el número de página o el de referencia.</li> <li>5. Incluya su nombre, el nombre de la empresa, el ID de cliente, las direcciones de envío y facturación, el número de teléfono y el número del pedido de compra.</li> <li>6. Facilite instrucciones de envío.</li> </ol> <hr/> <p><b>(D)</b> ▽ - identifica un conjunto ▲ - identifica piezas de un conjunto</p>	<p><b>Rellene estos datos cuando realice la instalación para utilizarlos como referencia en el futuro.</b></p> <p>Nº modelo - _____</p> <p>Nº serie - _____</p> <p>Opciones de la máquina - _____</p> <p>Vendedor - _____</p> <p>Nº teléfono vendedor - _____</p> <p>Nº cliente - _____</p> <p>Fecha de instalación - _____</p>
-----------	--	---

<b>FR</b>	<p><b>COMMENT COMMANDER DES PIÈCES DÉTACHÉES - Voir le schéma ci-dessus.</b></p> <p>Utilisez uniquement des pièces fournies par la société TENNANT ou équivalentes. Les pièces et fournitures peuvent être commandées en ligne, par téléphone, fax, ou par courrier.</p> <p>Suivez les étapes ci-dessous pour assurer une livraison rapide.</p> <ol style="list-style-type: none"> <li>1. <b>(A)</b> Identifiez le modèle de la machine.</li> <li>2. <b>(B)</b> Identifiez le numéro de série de la machine, à partir de l'étiquette signalétique.</li> <li>3. <b>(C)</b> Assurez-vous que le numéro de série correct est utilisé à partir de la liste de pièces détachées.</li> <li>4. Identifiez le numéro de pièce et la quantité. Ne commandez pas par page ou numéros de référence.</li> <li>5. Fournissez votre nom, le nom de votre société, votre numéro d'identification de client, l'adresse de facturation et d'expédition, le numéro de téléphone et le numéro du bon de commande.</li> <li>6. Fournissez des instructions d'expédition détaillées.</li> </ol> <hr/> <p><b>(D)</b> ▽ - identifie un assemblage ▲ - identifie les pièces composant l'assemblage</p>	<p><b>A remplir au moment de l'installation à titre de référence.</b></p> <p>Nº du modèle - _____</p> <p>Nº de série - _____</p> <p>Options de la machine - _____</p> <p>Agent commercial - _____</p> <p>Nº tél. de l'agent commercial - _____</p> <p>Numéro d'identification client - _____</p> <p>Date d'installation - _____</p>
-----------	--	---

<b>CN</b>	<p><b>如何订购部件 - 参见下表</b></p> <p>仅使用 TENNANT 公司提供的或同等部件。部件和供应可以在线订购，通过电话、传真或邮件订购。</p> <p>请遵循下面的步骤确保及时交付。</p> <ol style="list-style-type: none"> <li>1. <b>(A)</b> 确定机器型号。</li> <li>2. <b>(B)</b> 从数据标签确定机器序列号。</li> <li>3. <b>(C)</b> 确保使用部件列表中的正确序列号。</li> <li>4. 确定部件号和数量。 不要按页面或参考编号订购。</li> <li>5. 提供您的姓名、公司名称、客户 ID 号、付帐和送货地址、电话号码和采购单编号。</li> <li>6. 提供详细的送货说明。</li> </ol> <hr/> <p><b>(D)</b> ▽ - 确定组件 ▲ - 确定组件中包含的组件</p>	<p><b>请在安装时填写供未来参考。</b></p> <p>型号 - _____</p> <p>序列号 - _____</p> <p>机器选项 - _____</p> <p>销售代表 - _____</p> <p>销售代表电话号码 - _____</p> <p>客户 ID 编号 - _____</p> <p>安装日期 - _____</p>
-----------	--	--

<b>JP</b>	<p><b>パーツの発注方法 ? 上記の図を参照してください</b></p> <p>TENNANT社製のパーツまたは同等品のみをお使いください。パーツやサプライ品のご注文は、オンライン、電話、FAX、または手紙でお願いいたします。</p> <p>確実にお届けできるように、以下の情報お知らせください。</p> <ol style="list-style-type: none"> <li>1. <b>(A)</b> 製品のモデル名をお知らせください。</li> <li>2. <b>(B)</b> 製品のデータラベルに印刷されているシリアル番号をお知らせください。</li> <li>3. <b>(C)</b> パーツリストを参照して、シリアル番号が正しいかご確認ください。</li> <li>4. パーツ番号と数量をお知らせください。マニュアル/カタログのページ番号や参照番号でのご注文はご遠慮ください。</li> <li>5. お客様のお名前、会社名、顧客ID番号、請求/発送先住所、電話番号、注文書番号をお知らせください。</li> <li>6. 発送に関するご希望があれば、明記してください。</li> </ol> <hr/> <p><b>(D)</b> ▽ - アセンブリを示します ▲ - アセンブリに含まれるパーツを示します</p>	<p><b>後日確認できるように、設置時に記入してください。</b></p> <p>モデルNo. - _____</p> <p>シリアルNo. - _____</p> <p>製品のオプション - _____</p> <p>販売代理店 - _____</p> <p>販売代理店の電話番号 - _____</p> <p>顧客ID番号 - _____</p> <p>設置日 - _____</p>
-----------	---	---





**STANDARD PARTS**

<hr/>	
GENERAL RECOMMENDED MAINTENANCE ITEMS .....	7
BRUSHES AND PAD DRIVER GROUP, 43CM DISK MAGNETIC HUB .....	10
BRUSHES AND PAD DRIVER GROUP, 50CM DISK MAGNETIC HUB .....	12
BRUSHES AND PAD DRIVER GROUP, 60CM DUAL DISK MAGNETIC HUB .....	14
BRUSHES GROUP, 50CM CYLINDRICAL .....	16
PAD GROUP, 50CM ORBITAL .....	17
SCRUB HEAD GROUP, 43CM DISK, MAGNETIC HUB .....	18
SCRUB HEAD GROUP, 50CM DISK, MAGNETIC HUB .....	20
SCRUB HEAD GROUP, 60CM DUAL DISK, MAGNETIC HUB .....	22
SCRUB HEAD GROUP, 60CM DUAL DISK, MAGNETIC HUB - CONT'D .....	24
SCRUB HEAD GROUP, 50CM CYLINDRICAL ..	26
SCRUB HEAD GROUP, 50CM CYLINDRICAL - CONT'D .....	28
SCRUB HEAD GROUP, 50CM ORBITAL .....	30
RECOVERY TANK GROUP, STANDARD MODEL	32
RECOVERY TANK FILTER AND HOSE GROUP, PINCH CUFF SCREW CAP .....	34
RECOVERY TANK FILTER AND HOSE GROUP, STANDARD SCREW CAP .....	36
RECOVERY TANK FILTER AND HOSE GROUP, CONTROL VALVE .....	38
SOLUTION TANK GROUP .....	40
FRAME GROUP, PROPEL MODEL .....	42
FRAME GROUP, PUSH MODEL .....	44
ACTUATED DOWN PRESSURE GROUP .....	46
MANUAL DOWN PRESSURE GROUP .....	48
SOLUTION GROUP, STANDARD MODEL (S/N 11009738 - ) (NEW BARB CONNECTOR STYLE) .....	50
SOLUTION GROUP, STANDARD MODEL (S/N 10978370 - 11009737) (NEW BARB CONNECTOR STYLE) .....	52
SOLUTION GROUP, STANDARD MODEL (ORIGINAL PUSH QUICK CONNECTOR STYLE) .....	54

SOLUTION GROUP, STANDARD MODEL ec- H20 (S/N 11009738 - ) (NEW BARB CONNECTOR STYLE) .....	56
SOLUTION GROUP, STANDARD MODEL ec- H20 (S/N 10978370 - 11009737) (NEW BARB CONNECTOR STYLE) .....	58
SOLUTION GROUP, STANDARD MODEL ec- H20 (ORIGINAL PUSH QUICK CONNECTOR STYLE) .....	60
SOLUTION GROUP, STANDARD MODEL ec- H20 & SEVERE ENVIRONMENT (S/N 11009738 - ) (NEW BARB CONNECTOR STYLE) .....	62
SOLUTION GROUP, STANDARD MODEL ec- H20 & SEVERE ENVIRONMENT - CONT'D (S/N 11009738 - ) (NEW BARB CONNECTOR STYLE) .....	64
SOLUTION GROUP, STANDARD MODEL ec- H20 & SEVERE ENVIRONMENT (S/N 10978370 - 11009737) (NEW BARB CONNECTOR STYLE) .....	66
SOLUTION GROUP, STANDARD MODEL ec- H20 & SEVERE ENVIRONMENT (S/N 10978370 - 11009737) - CONT'D (NEW BARB CONNECTOR STYLE) .....	68
SOLUTION GROUP, STANDARD MODEL ec- H20 & SEVERE ENVIRONMENT (ORIGINAL PUSH QUICK CONNECTOR STYLE) .....	70
SOLUTION GROUP, STANDARD MODEL ec- H20 & SEVERE ENVIRONMENT - CONT'D (ORIGINAL PUSH QUICK CONNECTOR STYLE) .....	72
STANDARD ELECTRICAL COMPONENTS GROUP .....	74
LOWER CONSOLE GROUP, ON- BOARD CHARGER .....	76
LOWER CONSOLE GROUP, OFF- BOARD CHARGER .....	78
HANDLE GROUP, PRO-MEMBRANE, PROPEL, ACTUATED DOWN PRESSURE .....	80
HANDLE GROUP, MEMBRANE, PROPEL, MANUAL DOWN PRESSURE .....	82
HANDLE GROUP, PRO-MEMBRANE, PUSH, ACTUATED DOWN PRESSURE .....	84
HANDLE GROUP, MEMBRANE, PUSH, MANUAL DOWN PRESSURE .....	86
HANDLE GROUP, PRO-PANEL (LCD), PROPEL	88
HANDLE GROUP, PRO-PANEL (LCD), PUSH ..	90

# TABLE OF CONTENTS

---

## STANDARD PARTS - Cont'd

---

SHROUD GROUP, DISK AND ORBITAL HEAD .	92	ELECTRICAL HARNESS, MAIN PUSH (S/N 10891948 - )	148
SHROUD GROUP, CYLINDRICAL HEAD	94	ELECTRICAL HARNESS, MAIN PUSH (S/N 10838962 - 10891947)	152
SCRUB HEAD LIFT GROUP, 43CM DISK MODEL	96	ELECTRICAL HARNESS, MAIN PUSH (S/N 10000000 - 10838961)	156
SCRUB HEAD LIFT GROUP, 50CM DISK MODEL	98	ELECTRICAL HARNESS, OPTIONS PROPEL	160
SCRUB HEAD LIFT GROUP, 60CM DUAL DISK MODEL	100	ELECTRICAL HARNESS, OPTIONS PUSH	161
SCRUB HEAD LIFT GROUP, 50CM CYLINDRICAL MODEL	102	ELECTRICAL HARNESS, BAIL SWITCH	162
SCRUB HEAD LIFT GROUP, 50CM ORBITAL MODEL	104	ELECTRICAL HARNESS, ADAPTER (TELEMETRY MODELS)	163
SQUEEGEE ASSEMBLY, 500MM / 20IN	106	<b>OPTIONS</b>	
SQUEEGEE LIFT GROUP	108	TELEMETRY GROUP	164
BATTERY CABLE GROUP	110	BATTERY LIFT OUT BOX KIT	166
BATTERY GROUP, 105AH C20 WET	112	MANUAL BATTERY WATERING SYSTEM (S/N 11028698 - )	168
BATTERY GROUP, 130AH C20 WET	113	HYDROLINK® BATTERY WATERING SYSTEM KIT (S/N 10000000 - 11028697)	170
BATTERY GROUP, 150AH C20 WET	114	SEVERE ENVIRONMENT LOCKOUT KIT	172
BATTERY GROUP, 140AH C20 AGM	115	PARKING BRAKE GROUP	173
LABEL GROUP	116	DOCUMENTATION GROUP (ONLINE ONLY)	174
LABEL GROUP - CONT'D	118	<b>BREAKDOWNS</b>	
ELECTRICAL DIAGRAM, PROPEL (S/N 10887923 - )	120	ec- H2O NANOCLEAN MODULE BREAKDOWN 9020643 (S/N 10998111 - )	176
ELECTRICAL DIAGRAM, PROPEL (S/N 10000000 - 10887922)	124	ec- H2O NANOCLEAN MODULE BREAKDOWN 9011810 (S/N 10000000 - 10998110)	178
ELECTRICAL DIAGRAM, PUSH (S/N 10891948 - )	128	ORBITAL HEAD ECCENTRIC DRIVE BREAKDOWN	180
ELECTRICAL DIAGRAM, PUSH (S/N 10000000 - 10891947)	132		
ELECTRICAL HARNESS, MAIN PROPEL (S/N 10887923 - )	136		
ELECTRICAL HARNESS, MAIN PROPEL (S/N 10825195 - 10887922)	140		
ELECTRICAL HARNESS, MAIN PROPEL (S/N 10000000 - 10825194)	144		

# RECOMMENDED MAINTENANCE ITEMS

## GENERAL RECOMMENDED MAINTENANCE ITEMS

Part No.	Serial Number	Description	Qty.
1213034	(10000000- 20000000 )	Brush Assy, Disk, Scb, 43cm, Mag, Nyl	1
1213035	(10000000- 20000000 )	Brush Assy, Disk, Scb, 43cm, Mag, Pyp	1
1213037	(10000000- 20000000 )	Brush Assy, Disk, Scb, 43cm, Mag, Ab	1
1243350	(10000000- 20000000 )	Pad, Polish, 17.0d, White [1pick=1ctn]	1
1243349	(10000000- 20000000 )	Pad, Buff, 17.0d, Red [1pick=1ctn]	1
1243348	(10000000- 20000000 )	Pad, Scb, 17.0d, Blu [1pick=1ctn]	1
1243664	(10000000- 20000000 )	Pad, Strip, 17.0d Brown [1pick=1ctn]	1
1243663	(10000000- 20000000 )	Pad, Strip, 17.0d Blk[Hi Prod1pick=1ctn]	1
1243669	(10000000- 20000000 )	Pad, Surf Prep, 17.0d Maroon[1pick=1ctn]	1
1240391	(10000000- 20000000 )	Pad, Polish, 17.0d, Yel [1pick=1ctn]	1
1210386	(10000000- 20000000 )	Brush Assy, Disk, Scb, 50cm, Mag, Nyl	1
1213032	(10000000- 20000000 )	Brush Assy, Disk, Scb, 50cm, Mag, Pyp	1
1213033	(10000000- 20000000 )	Brush Assy, Disk, Scb, 50cm, Mag, Ab	1
1243338	(10000000- 20000000 )	Pad, Polish, 20.0d, White [1pick=1ctn]	1
1243339	(10000000- 20000000 )	Pad, Buff, 20.0d, Red [1pick=1ctn]	1
1243340	(10000000- 20000000 )	Pad, Scb, 20.0d, Blu [1pick=1ctn]	1
1243566	(10000000- 20000000 )	Pad, Stripping 20.0d, Brn [1pick=1ctn]	1
1243661	(10000000- 20000000 )	Pad, Strip, 20.0d Blk[Hi Prod1pick=1ctn]	1
1243670	(10000000- 20000000 )	Pad, Surf Prep, 20.0d Maroon[1pick=1ctn]	1
1240393	(10000000- 20000000 )	Pad, Polish, 20.0d, Yel [1pick=1ctn]	1
1210136	(10000000- 20000000 )	Brush Assy, Disk, Scb, 30cm, Mag, Nyl	2
1213040	(10000000- 20000000 )	Brush Assy, Disk, Scb, 30cm, Mag, Pyp	2
1213041	(10000000- 20000000 )	Brush Assy, Disk, Scb, 30cm, Mag, Ab	2
1243345	(10000000- 20000000 )	Pad, Polish, 12.0d, White [1pick=1ctn]	2
1243346	(10000000- 20000000 )	Pad, Buff, 12.0d, Red [1pick=1ctn]	2
1243347	(10000000- 20000000 )	Pad, Scb, 12.0d, Blu [1pick=1ctn]	2
1243662	(10000000- 20000000 )	Pad, Strip, 12.0d Brown [1pick=1ctn]	2
1243671	(10000000- 20000000 )	Pad, Strip, 12.0d Blk[Hi Prod1pick=1ctn]	2
1243665	(10000000- 20000000 )	Pad, Surf Prep, 12.0d Maroon[1pick=1ctn]	2
1240353	(10000000- 20000000 )	Pad, Polish, 12.0d, Yel [1pick=1ctn]	2
1209188	(10000000- 20000000 )	Brush, Scb, 21l, 20sr, Nyl (Cylindrical Model)	2
1212762	(10000000- 20000000 )	Brush, Scb, 21l, 20sr, Pyp (Cylindrical Model)	2
1243351	(10000000- 20000000 )	Pad, Polish, 20 X 14, White [1pick=1ctn] (Orbital Model)	1
1243352	(10000000- 20000000 )	Pad, Buff, 20 X 14, Red [1pick=1ctn] (Orbital Model)	1
1243353	(10000000- 20000000 )	Pad, Scb, 20 X 14, Blu [1pick=1ctn] (Orbital Model)	1
1243672	(10000000- 20000000 )	Pad, Surf Prep, 20x14 Maroon[1pick=1ctn](Orbital Model)	1
1074740	(10000000- 20000000 )	Pad, Scb, 14 X 20, Green [1pick=1ctn] (Orbital Model)	1
1075562	(10000000- 20000000 )	Pad, Stripper, 20 X 14, Blk [1pick=1ctn] (Orbital Model)	1
1228000	(10000000- 20000000 )	Pad, Melamine, 14" X 20" [Case Of 5] (Orbital Model)	1
1240342	(10000000- 20000000 )	Pad, Polish, 20 X 14, Yel [1pick=1ctn] (Orbital Model)	1
1217830	(10000000- 20000000 )	Pad, Backer, 20 X 14 (Orbital Model)	1

# RECOMMENDED MAINTENANCE ITEMS

## GENERAL RECOMMENDED MAINTENANCE ITEMS

Part No.	Serial Number	Description	Qty.
	1223582	(10000000- 20000000 ) Wheel, Scrbr, 8.00d, W/ Taper [(Propel Model)	2
	1223724	(10000000- 20000000 ) Wheel, Scrbr, 8.00d, W/ Brg (Push Model)	2
	1212422	(10000000- 20000000 ) Caster, Swivel [Wicke 224051]	1
∇	1211537	(10000000- 20000000 ) Filter, In- Line, Pf06/Pf06 080m 2.6l Epd	1
▲	1218885	(10000000- 20000000 ) Gasket [Epdm, F/1211537]	1
▲	1218883	(10000000- 20000000 ) Screen, Fltr, 80 Mesh, Ss [W/ Cage]	1
▲	613991	(10000000- 20000000 ) Bowl, Clr, Short, F/1005302	1
∇	9014172	(10000000- 20000000 ) Squeegee Kit, Linatex, Am [T300/E/Ss300]	1
▲	1010560	(10000000- 20000000 ) Wheel, Bmpr, 80d X 25w, Non- Marking	2
▲	630477	(10000000- 20000000 ) Wheel, Pyu, 02.0d 0.38w, Gray	2
▲∇	9015731	(10000000- 20000000 ) Blade Kit, 500mm, Linatex (Standard)	1
▲▲	1203953	(10000000- 20000000 ) Blade, Sqge, Rear, 836l, Linatex[500mm] (Standard)	1
▲▲	1203954	(10000000- 20000000 ) Blade, Sqge, Front, 788l, Linatex[500mm] (Standard)	1
∇	9015732	(10000000- 20000000 ) Blade Kit, 500mm, Urethane (Option)	1
▲	1215609	(10000000- 20000000 ) Blade, Sqge, Rear, 836l, Urethane[500mm] (Option)	1
▲	1215611	(10000000- 20000000 ) Blade, Sqge, Front, 788l, Urethane[500mm] (Option)	1
∇	9015730	(10000000- 20000000 ) Blade Kit, 500mm, Gum (Option)	1
▲	1215610	(10000000- 20000000 ) Blade, Sqge, Rear, 836l, Gum[500mm] (Option)	1
▲	1215612	(10000000- 20000000 ) Blade, Sqge, Front, 788l, Gum[500mm] (Option)	1
	1055019	(10000000- 20000000 ) Bumper, Head, 43cm, W/ Bristle Skirt, Im	1
	1055025	(10000000- 20000000 ) Bumper, Head, 50cm, W/ Bristle Skirt, Im	1
	1072656	(10000000- 20000000 ) Bumper, Head, 60cm, Bristle Skirt	1
	1010560	(10000000- 20000000 ) Wheel, Bmpr, 80d X 25w, Non- Marking (Disk Heads)	1
∇	9020643	(10998111- 20000000 ) Module Kit, Replmt [Ec- H2o, B 02] (See Breakdowns)	1
∇	9011810	(10000000- 10998110 ) Module Kit, Replmt [Ec- H2o, B 02] (See Breakdowns) (Replaced By 9020643)	1
▲	9013646	(10000000- 20000000 ) Cartridge, Ec- H2o Nanoclean Wcm, 270ml	1
∇	1226976	(10834063- 20000000 ) Motor, Ele, 24vdc 0215rpm 650w, 17mm (43CM & 50CM Disk Head)	1
▲	1227273	(10834063- 20000000 ) Vr, Brush Kit, Motor, Ele (4pc)	1
∇	1210703	(10000000- 10834062 ) Motor, Ele, 24vdc 0200rpm 1.00hp, 17mm (43CM & 50CM Disk Head) (Replaced By 9015159)	1
▲	222606	(10000000- 10834062 ) Vr, Brush Kit, Motor, Ele [lp] (4Pc) (For Imperial Motor - Frame #P56SG681)	1
▲	1045790	(10000000- 10834062 ) Brush Kit, Replmt,Carbon 24vdc[1pk=1set](4Pc) (For Sanrong Motor - Frame #56S)	1
∇	1227280	(10835313- 20000000 ) Motor, 24vdc, 2000rpm, 7/8hp (60CM Disk Head)	1
▲	1059370	(10000000- 20000000 ) Brush, Motor, Replmt [Bag Of 4]	1
∇	1210212	(10000000- 10835312 ) Motor, 24vdc, 2000rpm, 7/8hp, Us (60CM Disk Head) (Replaced By 9015160)	1
▲	1059370	(10000000- 20000000 ) Brush, Motor, Replmt [Bag Of 4] (60CM Disk Head)	1
∇	1210202	(10000000- 20000000 ) Motor, Ele, 24vdc [Vw Cyl] (Cylindrical Head)	1
▲	1059370	(10000000- 20000000 ) Brush, Motor, Replmt [Bag Of 4]	1
∇	1226909	(10827598- 20000000 ) Motor, Ele, 24vdc, 2200rpm, .6hp, 22mm (Orbital Head)	1
▲	1059370	(10000000- 20000000 ) Brush, Motor, Replmt [Bag Of 4]	1
∇	1212669	(10000000- 10827597 ) Motor, Ele, 24vdc, 2200rpm, .6hp, 22mm (Orbital Head) (Replaced By 9015162)	1
▲	1059370	(10000000- 20000000 ) Brush, Motor, Replmt [Bag Of 4] (Orbital Head)	1
	1055305	(10000000- 20000000 ) Belt, Drive, 6pj, Ej139 [T3] (60CM Disk Head)	1
∇	9014166	(10000000- 20000000 ) Kit, Belt, Motor (Includes Belt & Installation Tool) (Cylindrical Head)	1
▲	1209587	(10000000- 20000000 ) Belt, Motor [Vw Single Motor]	1
▲	1213132	(10000000- 20000000 ) Tool, Installation, Belt	1

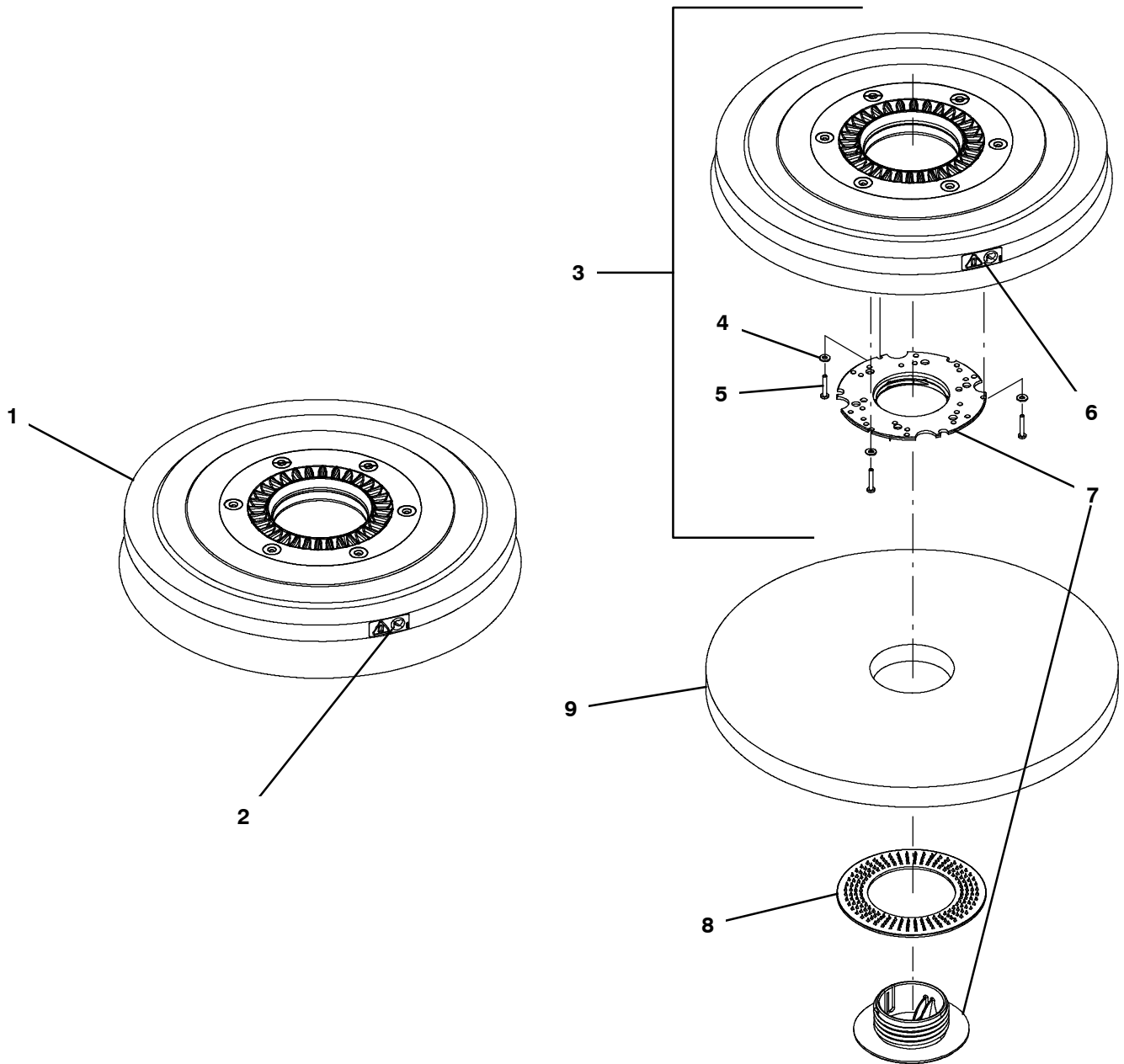
# RECOMMENDED MAINTENANCE ITEMS

## GENERAL RECOMMENDED MAINTENANCE ITEMS

Part No.	Serial Number	Description	Qty.
	1215666 (10000000- 20000000 )	Skirt, Side, Cyl, Floating (Cylindrical Head)	2
	630477 (10000000- 20000000 )	Wheel, Pyu, 02.0d 0.38w, Gray (Cylindrical Head)	4
▽	1226905 (10000000- 20000000 )	Fan, Vacuum, 6.6d, 024vdc, 2 Stage	1
▲	1206774 (10000000- 20000000 )	Vr, Brush Kit, Motor, Fan (1 Pkg = 2 Pcs)	1
▽	9014872 (10785189- 20000000 )	Kit, Deflector, Tray, Debris, Cl, [T300]	1
▲	1225187 (10785189- 20000000 )	Seal, Rbr, Clsd, 12.7 <sup>Th</sup> , 24.0ld, 40.0Od	1
▲	1207357 (10000000- 20000000 )	Tray, Debris, Tank, Recvy [T300]	1
	630052 (10000000- 20000000 )	Float, Shut- Off, (2)Ball, 1.75d	1
	9014905 (10786725- 20000000 )	Cover Kit, Circuitbreaker, Ci[T300/E/Ss]	1
▽	1251388 (10988543- 20000000 )	Hose Assy, Drain, 1.5id X 13.0l [Pvc] (Black - Standard)	1
▲	1218955 (10000000- 20000000 )	Cap, Drain Assy [Black]	1
▽	1213010 (10000000- 10988542 )	Hose Assy, Drain, 1.5d 017l 1.5/Cap[Pvc] (Black - Standard) (Replaced By 1251388)	1
▲	1218955 (10000000- 20000000 )	Cap, Drain Assy [Black]	1
▽	1246719 (10949064- 10988542 )	Hose Assy, Drain, 1.5id X 21.9l [Pu] (Gray - Option) (No Longer Available - Replaced By Black Pinch Cuff Screw Cap 1251388)	1
▲	1219134 (10000000- 10988542 )	Cap, Drain Assy [Gray]	1
▽	1213008 (10000000- 10949063 )	Hose Assy, Drain, 1.5d 025l 1.5/Cap [Pu] (Gray - Option) (No Longer Available - Replaced By Black Pinch Cuff Screw Cap 1251388)	1
▲	1219134 (10000000- 10988542 )	Cap, Drain Assy [Gray]	1
▽	9014171 (10000000- 10949063 )	Hose Assy, With Valve (Gray - Option) (No Longer Available - Replaced By Black Pinch Cuff Screw Cap 1251388)	1
▲	1051986 (10000000- 10949063 )	Valve, Ball, 2way, 1.0id Pvc, W/Handle (No Longer Available - Replaced By Black Pinch Cuff Screw Cap 1251388)	1
▲	1222591 (10000000- 10949063 )	Hose Assy, 45cuff, 1.5d 021l 1.5/1.5[Pu] (No Longer Available - Replaced By Black Pinch Cuff Screw Cap 1251388)	1
	1211220 (10000000- 20000000 )	Hose Assy,W/2cuff,1.5d 022l 1.5/1.5[Pvc] (Black - Standard)	1
	1204663 (10000000- 10988542 )	Hose Assy, W/2cuff,1.5d 031l 1.5/1.5[Pu] (Gray - Option) (No Longer Available - Replaced By 1211220 - Black PVC Standard)	1
	1210472 (10000000- 20000000 )	Seal, Afmkt, Bulb, 0.50d .13grip, 05ft (Rec Tank Lid)	1
	1046428 (10000000- 20000000 )	Seal, Afmkt, Rbr, Clsd, Adh, 02ft (Front Fill Cover)	1
▽	1216386 (10000000- 20000000 )	Motor, Transaxle, 24vdc, Replmt [UI, Ce]	1
▲	1212351 (10000000- 20000000 )	Brush Kit, Carbon, Transaxle, UI (1 Kit = 4 Pcs)	1

BRUSHES AND PAD DRIVER GROUP, 43CM DISK MAGNETIC HUB

355338



## BRUSHES AND PAD DRIVER GROUP, 43CM DISK MAGNETIC HUB

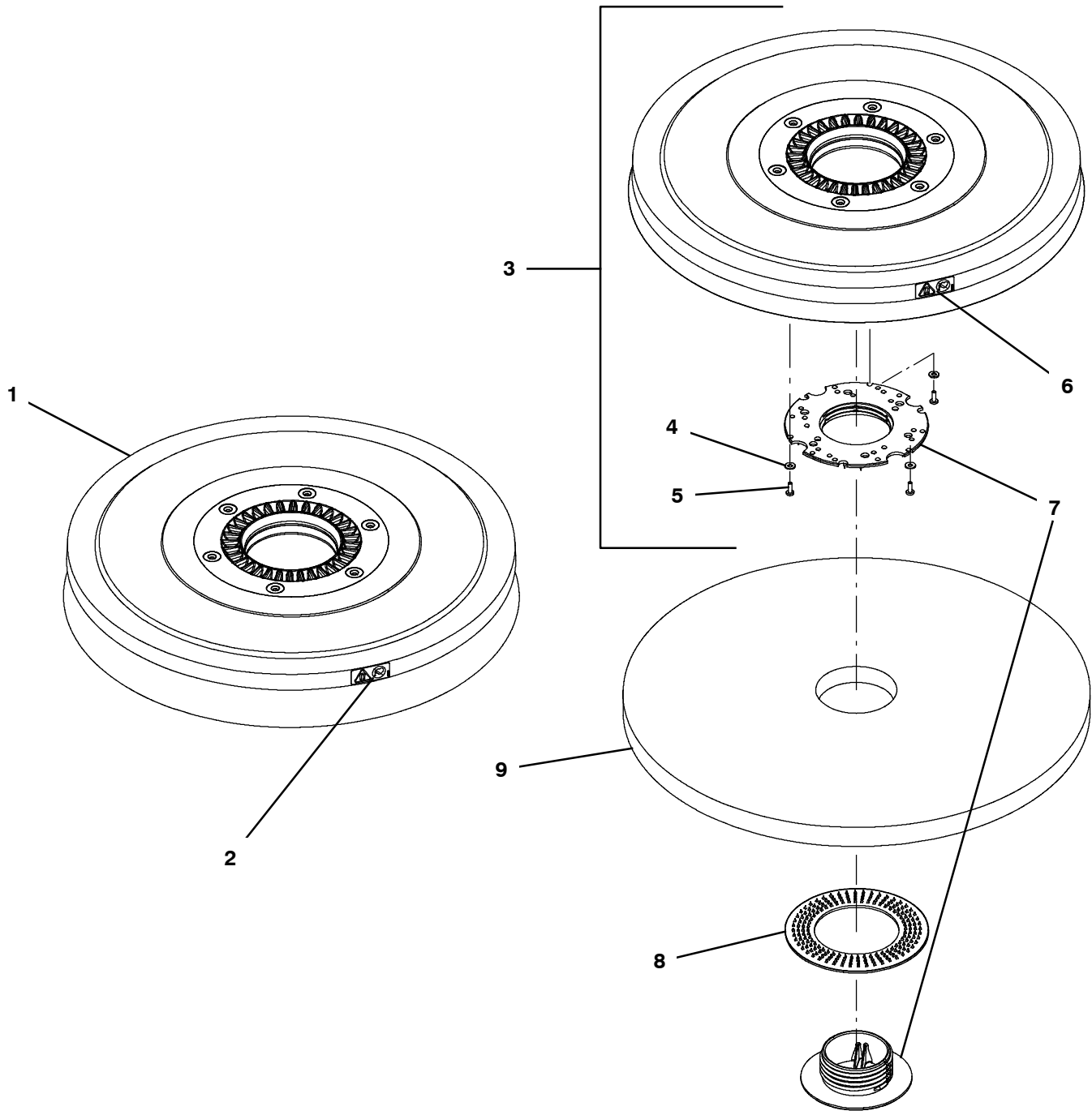
	Ref.	Part No.	Serial Number	Description	Qty.
▽	1	1213034	(10000000-20000000 )	Brush Assy, Disk, Scb, 43cm, Mag, Nyl	1
▽	1	1213035	(10000000-20000000 )	Brush Assy, Disk, Scb, 43cm, Mag, Pyp	1
▽	1	1213037	(10000000-20000000 )	Brush Assy, Disk, Scb, 43cm, Mag, Ab	1
▲	2	1218392	(10000000-20000000 )	Label, Safety, Magnet, Med	1
▽	3	1211869	(10000000-20000000 )	Driver Assy, Pad, 43cm, Brush, Magnetic	1
▲	4	41579	(10000000-20000000 )	Washer, Flat, 08, Ss	3
▲	5	1212542	(10000000-20000000 )	Screw, Pan, Phl, M4 X 0.70 X 12, NI, Ss	3
▲	6	1218392	(10000000-20000000 )	Label, Safety, Magnet, Med	1
▲	7	32506	(10000000-20000000 )	Device, Centering, Rh Pad Retainer	1
	8	32505	(10000000-20000000 )	Washer, Flat, 92b 156d 2.6l, Pad Driver	1
	9	1243350	(10000000-20000000 )	Pad, Polish, 17.0d, White [1pick=1ctn]	1
	9	1243349	(10000000-20000000 )	Pad, Buff, 17.0d, Red [1pick=1ctn]	1
	9	1243348	(10000000-20000000 )	Pad, Scb, 17.0d, Blu [1pick=1ctn]	1
	9	1243664	(10000000-20000000 )	Pad, Strip, 17.0d Brown [1pick=1ctn]	1
	9	1243663	(10000000-20000000 )	Pad, Strip, 17.0d Blk[Hi Prod1pick=1ctn]	1
	9	1243669	(10000000-20000000 )	Pad, Surf Prep, 17.0d Maroon[1pick=1ctn]	1
	9	1240391	(10000000-20000000 )	Pad, Polish, 17.0d, Yel [1pick=1ctn]	1

▽ ASSEMBLY

▲ INCLUDED IN ASSEMBLY

BRUSHES AND PAD DRIVER GROUP, 50CM DISK MAGNETIC HUB

355339





## BRUSHES AND PAD DRIVER GROUP, 50CM DISK MAGNETIC HUB

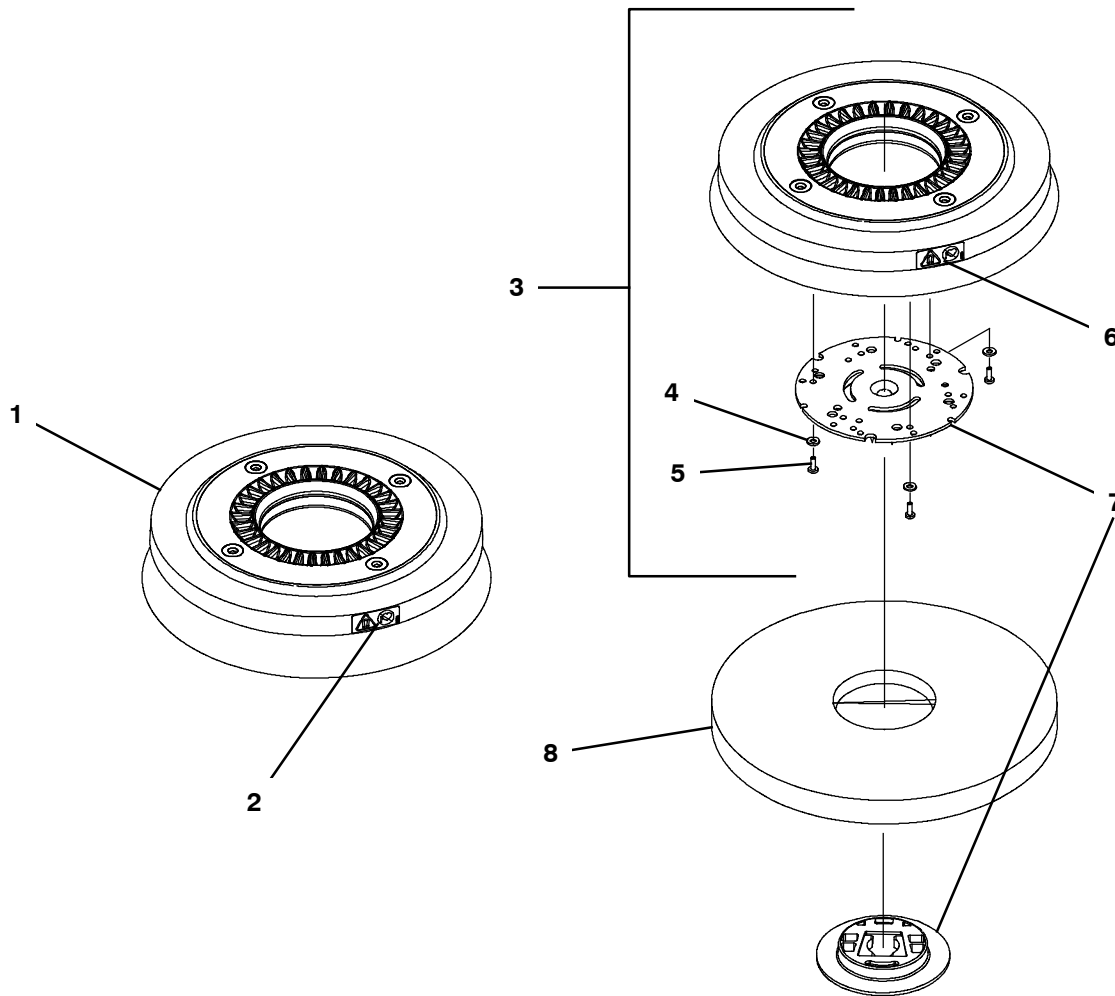
	Ref.	Part No.	Serial Number	Description	Qty.
▽	1	1210386	(10000000- 20000000 )	Brush Assy, Disk, Scb, 50cm, Mag, Nyl	1
▽	1	1213032	(10000000- 20000000 )	Brush Assy, Disk, Scb, 50cm, Mag, Pyp	1
▽	1	1213033	(10000000- 20000000 )	Brush Assy, Disk, Scb, 50cm, Mag, Ab	1
▲	2	1218392	(10000000- 20000000 )	Label, Safety, Magnet, Med	1
▽	3	1209197	(10000000- 20000000 )	Driver Assy, Pad, 50cm, Brush, Magnetic	1
▲	4	41579	(10000000- 20000000 )	Washer, Flat, 08, Ss	3
▲	5	1212542	(10000000- 20000000 )	Screw, Pan, Phl, M4 X 0.70 X 12, NI, Ss	3
▲	6	1218392	(10000000- 20000000 )	Label, Safety, Magnet, Med	1
▲	7	32506	(10000000- 20000000 )	Device, Centering, Rh Pad Retainer	1
	8	32505	(10000000- 20000000 )	Washer, Flat, 92b 156d 2.6l, Pad Driver	1
	9	1243338	(10000000- 20000000 )	Pad, Polish, 20.0d, White [1pick=1ctn]	1
	9	1243339	(10000000- 20000000 )	Pad, Buff, 20.0d, Red [1pick=1ctn]	1
	9	1243340	(10000000- 20000000 )	Pad, Scb, 20.0d, Blu [1pick=1ctn]	1
	9	1243566	(10000000- 20000000 )	Pad, Stripping 20.0d, Brn [1pick=1ctn]	1
	9	1243661	(10000000- 20000000 )	Pad, Strip, 20.0d Blk[Hi Prod1pick=1ctn]	1
	9	1243670	(10000000- 20000000 )	Pad, Surf Prep, 20.0d Maroon[1pick=1ctn]	1
	9	1240393	(10000000- 20000000 )	Pad, Polish, 20.0d, Yel [1pick=1ctn]	1

▽ ASSEMBLY

▲ INCLUDED IN ASSEMBLY

BRUSHES AND PAD DRIVER GROUP, 60CM DUAL DISK MAGNETIC HUB

355340



## BRUSHES AND PAD DRIVER GROUP, 60CM DUAL DISK MAGNETIC HUB

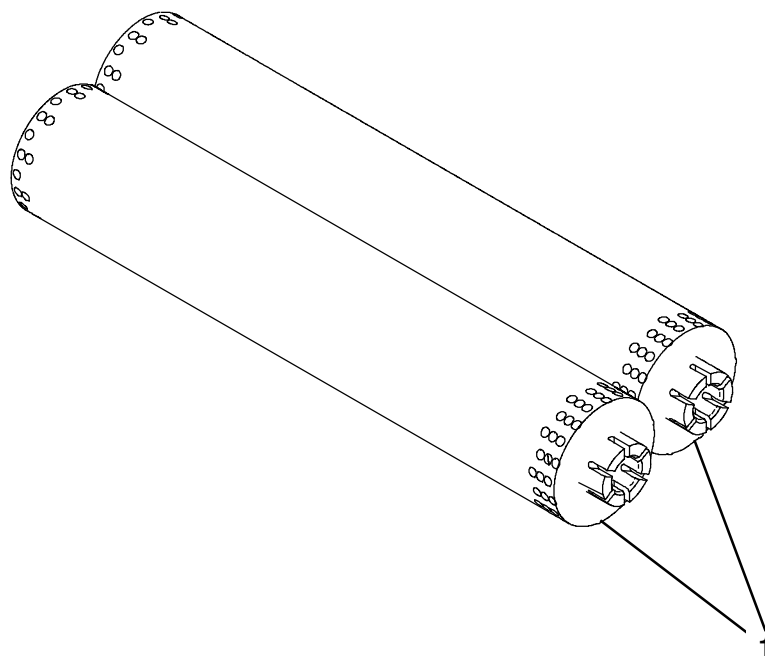
Ref.	Part No.	Serial Number	Description	Qty.
▽	1	1210136	(10000000- 20000000 ) Brush Assy, Disk, Scb, 30cm, Mag, Nyl	2
▽	1	1213040	(10000000- 20000000 ) Brush Assy, Disk, Scb, 30cm, Mag, Pyp	2
▽	1	1213041	(10000000- 20000000 ) Brush Assy, Disk, Scb, 30cm, Mag, Ab	2
▲	2	1218392	(10000000- 20000000 ) Label, Safety, Magnet, Med	1
▽	3	1209160	(10000000- 20000000 ) Driver Assy, Pad, 30cm, [Magnetic]	2
▲	4	41579	(10000000- 20000000 ) Washer, Flat, 08, Ss	3
▲	5	1212542	(10000000- 20000000 ) Screw, Pan, Phl, M4 X 0.70 X 12, Ni, Ss	3
▲	6	1218392	(10000000- 20000000 ) Label, Safety, Magnet, Med	1
▲	7	370095	(10000000- 20000000 ) Device, Centering, Clip On, Tl [Gf Pp]	1
	8	1243345	(10000000- 20000000 ) Pad, Polish, 12.0d, White [1pick=1ctn]	2
	8	1243346	(10000000- 20000000 ) Pad, Buff, 12.0d, Red [1pick=1ctn]	2
	8	1243347	(10000000- 20000000 ) Pad, Scb, 12.0d, Blu [1pick=1ctn]	2
	8	1243662	(10000000- 20000000 ) Pad, Strip, 12.0d Brown [1pick=1ctn]	2
	8	1243671	(10000000- 20000000 ) Pad, Strip, 12.0d Blk[Hi Prod1pick=1ctn]	2
	8	1243665	(10000000- 20000000 ) Pad, Surf Prep, 12.0d Maroon[1pick=1ctn]	2
	8	1240353	(10000000- 20000000 ) Pad, Polish, 12.0d, Yel [1pick=1ctn]	2

▽ ASSEMBLY

▲ INCLUDED IN ASSEMBLY

BRUSHES GROUP, 50CM CYLINDRICAL

355333

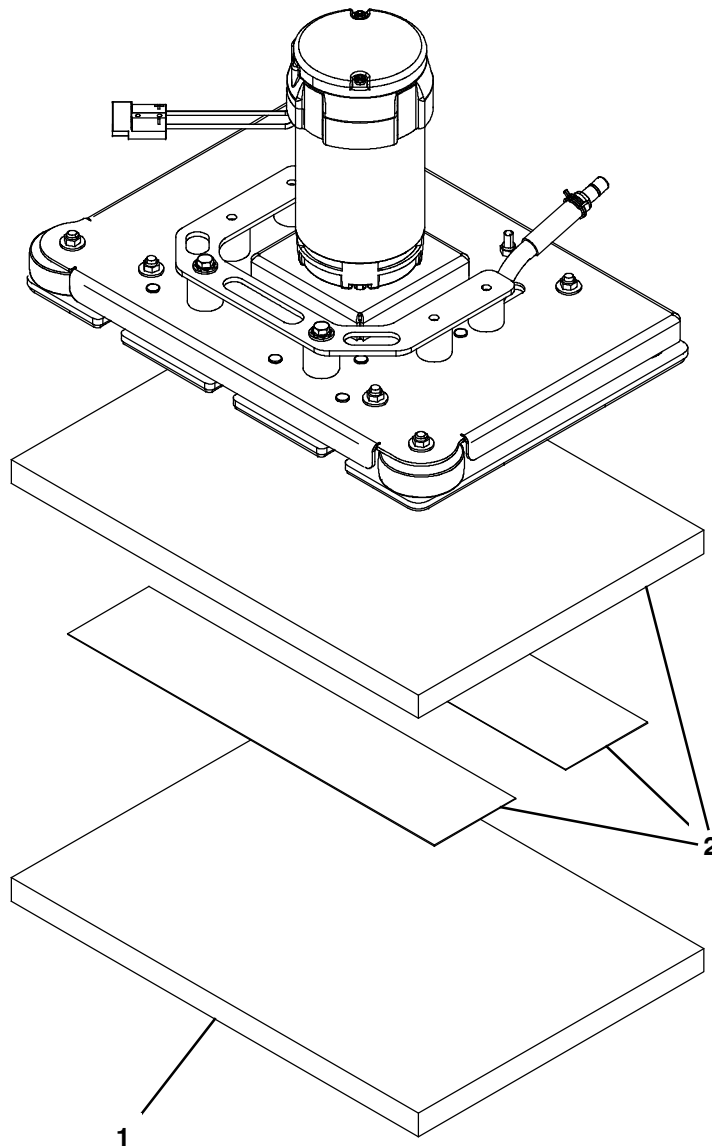


---

Ref.	Part No.	Serial Number	Description	Qty.
1	1209188	(10000000-20000000 )	Brush, Scb, 21l, 20sr, Nyl	2
1	1212762	(10000000-20000000 )	Brush, Scb, 21l, 20sr, Pyp	2

PAD GROUP, 50CM ORBITAL

355334

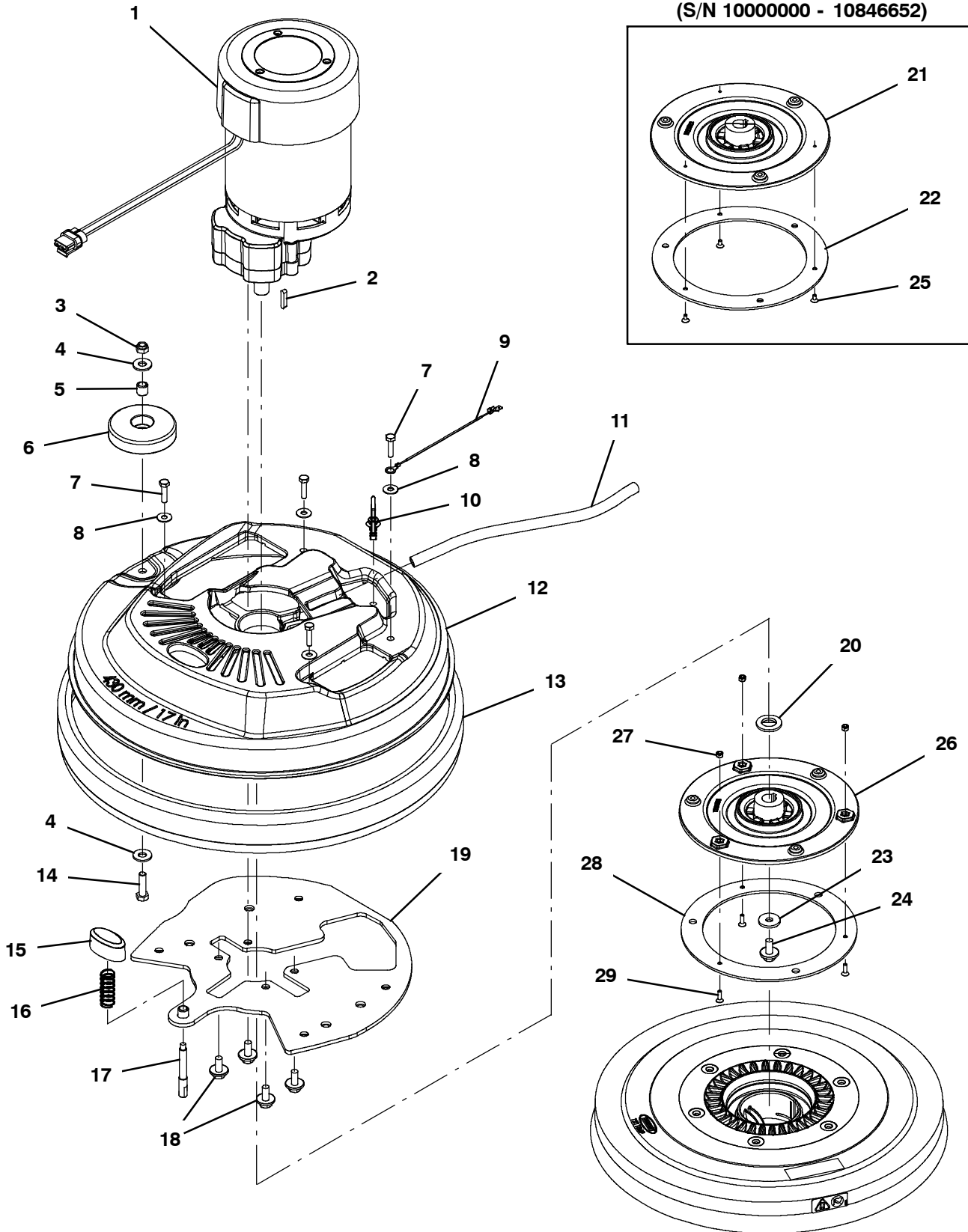


Ref.	Part No.	Serial Number	Description	Qty.
1	1243351	(10000000- 20000000 )	Pad, Polish, 20 X 14, White [1pick=1ctn]	1
1	1243352	(10000000- 20000000 )	Pad, Buff, 20 X 14, Red [1pick=1ctn]	1
1	1243353	(10000000- 20000000 )	Pad, Scb, 20 X 14, Blu [1pick=1ctn]	1
1	1243672	(10000000- 20000000 )	Pad, Surf Prep, 20x14 Maroon[1pick=1ctn]	1
1	1074740	(10000000- 20000000 )	Pad, Scb, 14 X 20, Green [1pick=1ctn]	1
1	1075562	(10000000- 20000000 )	Pad, Stripper, 20 X 14, Blk [1pick=1ctn]	1
1	1228000	(10000000- 20000000 )	Pad, Melamine, 14" X 20" [Case Of 5]	1
1	1240342	(10000000- 20000000 )	Pad, Polish, 20 X 14, Yel [1pick=1ctn]	1
2	1217830	(10000000- 20000000 )	Pad, Backer, 20 X 14 (Includes Hook & Loop Fastener)	1

SCRUB HEAD GROUP, 43CM DISK, MAGNETIC HUB

355294

(S/N 1000000 - 10846652)



## SCRUB HEAD GROUP, 43CM DISK, MAGNETIC HUB

Ref.	Part No.	Serial Number	Description	Qty.
▽	1	1226976	(10834063- 20000000 ) Motor, Ele, 24vdc 0215rpm 650w, 17mm	1
▲		1227273	(10834063- 20000000 ) Vr, Brush Kit, Motor, Ele (4pc)	1
▲	2	1014328	(10000000- 20000000 ) Key, Sq, 05mm X 05mm, 25mml	1
▽	1	1210703	(10000000- 10834062 ) Motor, Ele, 24vdc 0200rpm 1.00hp, 17mm (Replaced By 9015159)	1
▲		222606	(10000000- 10834062 ) Vr, Brush Kit, Motor, Ele [lp] (4Pc) (For Imperial Motor - Frame #P56SG681)	1
▲		1045790	(10000000- 10834062 ) Brush Kit, Replmt,Carbon 24vdc[1pk=1set](4Pc) (For Sanrong Motor - Frame #56S)	1
▲	2	1014328	(10000000- 20000000 ) Key, Sq, 05mm X 05mm, 25mml	1
	3	08713	(10000000- 20000000 ) Nut, Hex, Lock, M8 X 1.25, NI, Ss	1
	4	01685	(10000000- 20000000 ) Washer, Flat, 0.38b 0.88d .08, Ss	2
	5	222460	(10000000- 20000000 ) Sleeve, P/M, 0.32b 0.50d 0.5l [430ss]	1
	6	1010560	(10000000- 20000000 ) Wheel, Bmpr, 80d X 25w, Non- Marking	1
	7	1016005	(10000000- 20000000 ) Screw, Hex, M6 X 1.00 X 25, NI, FI, Ss	4
	8	01684	(10000000- 20000000 ) Washer, Flat, 0.27b 0.69d .05, Ss	4
	9	1074344	(10000000- 20000000 ) Harness, Ele [Ring With .250m Tail]	1
	10	1210807	(10000000- 20000000 ) Wire, Tie [W/.25" Fir Tree Clip]	1
	11	1014929	(10000000- 20000000 ) Hose, Afmkt, Pvc, Clr, 0.38id, 01ft	1
	12	1212324	(10000000- 20000000 ) Housing, Head, 43cm	1
	13	1055019	(10000000- 20000000 ) Bumper, Head, 43cm, W/ Bristle Skirt, Im	1
	14	1016399	(10000000- 20000000 ) Screw, Hex, M8 X 1.25 X 30, NI, Ss	1
	15	1211242	(10000000- 20000000 ) Button, Plunger, Pad	1
	16	1212785	(10000000- 20000000 ) Spring, Cmpr, .66od, .05wir, 1.75l, Ss	1
	17	1211256	(10000000- 20000000 ) Pin, Stop, Long	1
	18	1020341	(10000000- 20000000 ) Screw, Hex, M8 X 1.25 X 20, Ss, Sems	4
	19	1223980	(10802498- 20000000 ) Plate Wldt, Head, Weighted	1
	19	1210590	(10000000- 10802497 ) Plate Wldt, Head, Weighted (Replaced By Kit 9014801)	1
	20	1022549	(10000000- 20000000 ) Spacer, Shaft, 17.15b 30.0d 3.0l, Ss	1
	21	1212312	(10000000- 10846652 ) Hub, Drive, Magnetic [Machined] (Replaced By 9015184)	1
	22	1205043	(10000000- 20000000 ) Ring, Hub, Magnetic	1
	23	1017218	(10000000- 20000000 ) Washer, Flat, 0.32b 1.00d .12, Ss	1
	24	1020341	(10000000- 20000000 ) Screw, Hex, M8 X 1.25 X 20, Ss, Sems	1
	25	630114	(10000000- 10846652 ) Screw, Flt, Phl, M4 X 0.70 X 8, 4.8	3
▽		9015184	(10846653- 20000000 ) Hub Kit, Drive, Magnetic [T300]	1
▲	26	1227654	(10846653- 20000000 ) Hub, Drive, Magnetic [Machined]	1
▲	27	33932	(10846653- 20000000 ) Nut, Hex, Lock, M4 X 0.70, NI, Ss	2
▲	28	1205043	(10000000- 20000000 ) Ring, Hub, Magnetic	1
▲	29	1227670	(10846653- 20000000 ) Screw, Flt, Soc, M4 X 0.70 X 14,18- 8, Ss	3

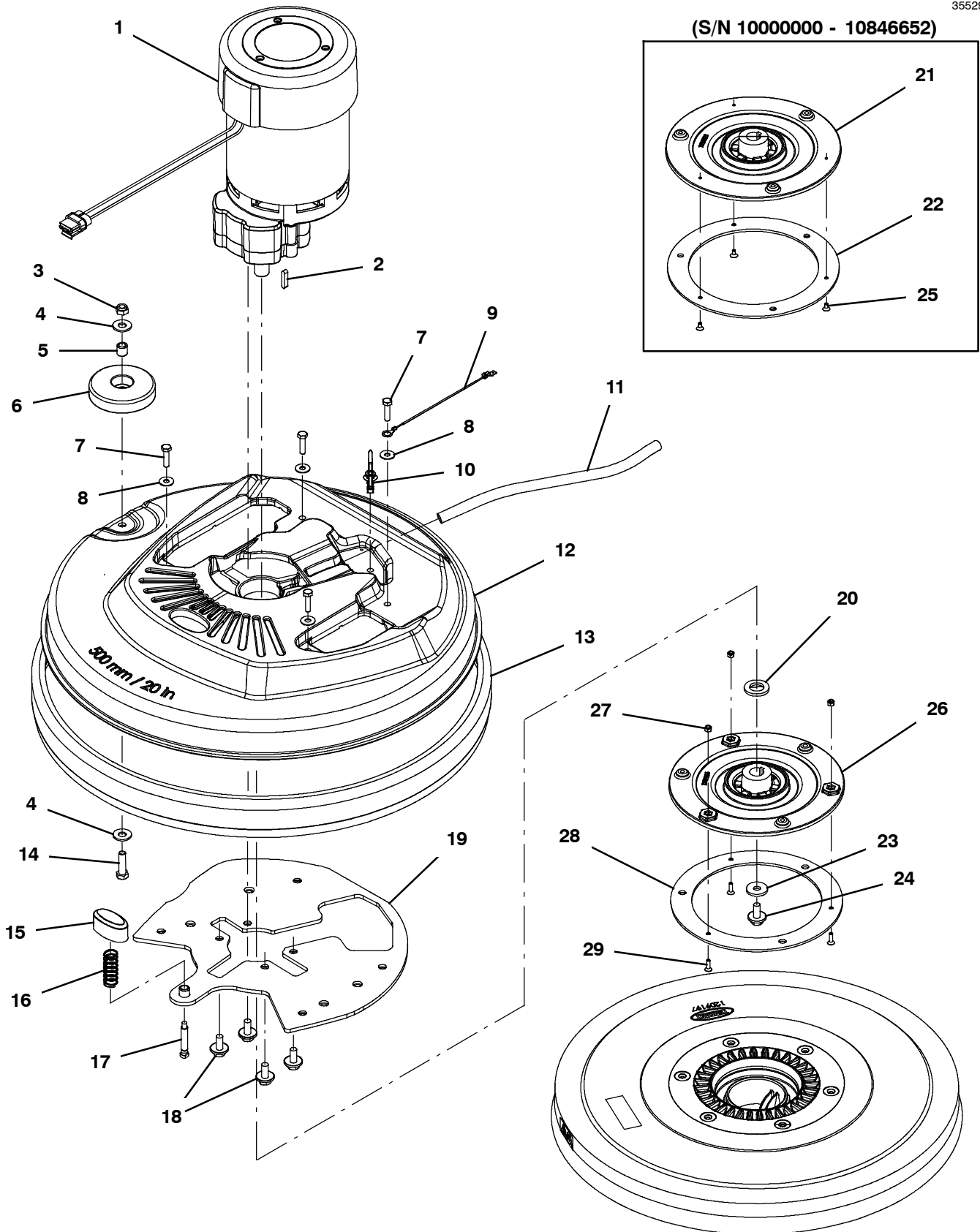
▽ ASSEMBLY

▲ INCLUDED IN ASSEMBLY

SCRUB HEAD GROUP, 50CM DISK, MAGNETIC HUB

355295

(S/N 10000000 - 10846652)





SCRUB HEAD GROUP, 50CM DISK, MAGNETIC HUB

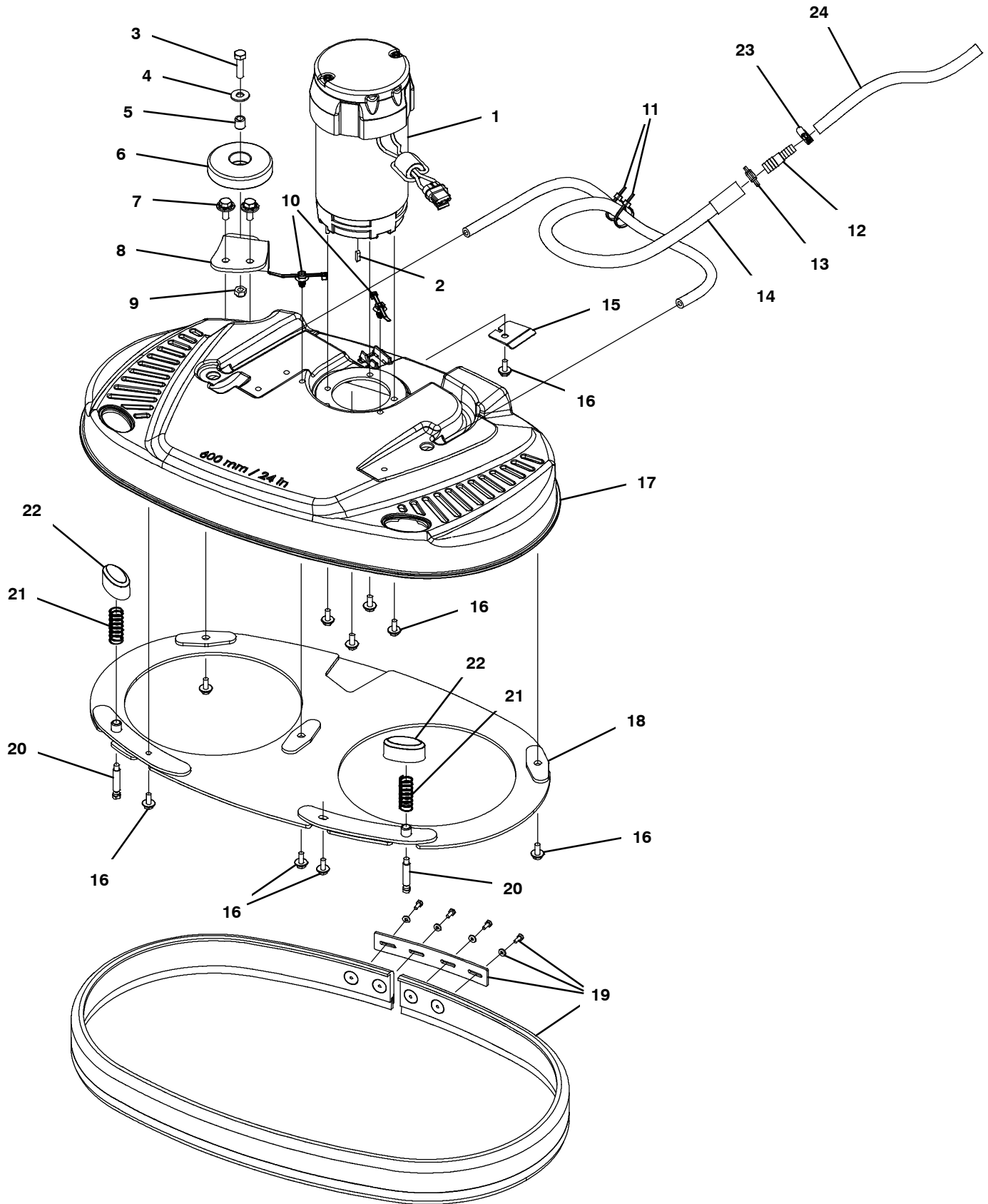
Ref.	Part No.	Serial Number	Description	Qty.
▽	1	1226976	(10834387- 20000000 ) Motor, Ele, 24vdc 0215rpm 650w, 17mm	1
▲		1227273	(10834387- 20000000 ) Vr, Brush Kit, Motor, Ele (4pc)	1
▲	2	1014328	(10000000- 20000000 ) Key, Sq, 05mm X 05mm, 25mml	1
▽	1	1210703	(10000000- 10834386 ) Motor, Ele, 24vdc 0200rpm 1.00hp, 17mm (Replaced By 9015159)	1
▲		222606	(10000000- 10834386 ) Vr, Brush Kit, Motor, Ele [lp] (4Pc) (For Imperial Motor - Frame #P56SG681)	1
▲		1045790	(10000000- 10834386 ) Brush Kit, Replmt,Carbon 24vdc[1pk=1set](4Pc) (For Sanrong Motor - Frame #56S)	1
▲	2	1014328	(10000000- 20000000 ) Key, Sq, 05mm X 05mm, 25mml	1
	3	08713	(10000000- 20000000 ) Nut, Hex, Lock, M8 X 1.25, NI, Ss	1
	4	01685	(10000000- 20000000 ) Washer, Flat, 0.38b 0.88d .08, Ss	2
	5	222460	(10000000- 20000000 ) Sleeve, P/M, 0.32b 0.50d 0.5l [430ss]	1
	6	1010560	(10000000- 20000000 ) Wheel, Bmpr, 80d X 25w, Non- Marking	1
	7	1016005	(10000000- 20000000 ) Screw, Hex, M6 X 1.00 X 25, NI, FI, Ss	4
	8	01684	(10000000- 20000000 ) Washer, Flat, 0.27b 0.69d .05, Ss	4
	9	1074344	(10000000- 20000000 ) Harness, Ele [Ring With .250m Tail]	1
	10	1210807	(10000000- 20000000 ) Wire, Tie [W/.25" Fir Tree Clip]	1
	11	1014929	(10000000- 20000000 ) Hose, Afmkt, Pvc, Clr, 0.38id, 01ft	1
	12	1208041	(10000000- 20000000 ) Housing, Head, 50cm	1
	13	1055025	(10000000- 20000000 ) Bumper, Head, 50cm, W/ Bristle Skirt, Im	1
	14	1016399	(10000000- 20000000 ) Screw, Hex, M8 X 1.25 X 30, NI, Ss	1
	15	1211242	(10000000- 20000000 ) Button, Plunger, Pad	1
	16	1212785	(10000000- 20000000 ) Spring, Cmpr, .66od, .05wir, 1.75l, Ss	1
	17	1211256	(10000000- 20000000 ) Pin, Stop, Long	1
	18	1020341	(10000000- 20000000 ) Screw, Hex, M8 X 1.25 X 20, Ss, Sems	4
	19	1223980	(10499417- 20000000 ) Plate Wldt, Head, Weighted	1
	19	1210590	(10000000- 10499416 ) Plate Wldt, Head, Weighted (Replaced By Kit 9014801)	1
	20	1022549	(10000000- 20000000 ) Spacer, Shaft, 17.15b 30.0d 3.0l, Ss	1
	21	1212312	(10000000- 10846652 ) Hub, Drive, Magnetic [Machined] (Replaced By 9015184)	1
	22	1205043	(10000000- 20000000 ) Ring, Hub, Magnetic	1
	23	1017218	(10000000- 20000000 ) Washer, Flat, 0.32b 1.00d .12, Ss	1
	24	1020341	(10000000- 20000000 ) Screw, Hex, M8 X 1.25 X 20, Ss, Sems	1
	25	630114	(10000000- 10846652 ) Screw, Flt, Phl, M4 X 0.70 X 8, 4.8	3
▽		9015184	(10846653- 20000000 ) Hub Kit, Drive, Magnetic [T300]	1
▲	26	1227654	(10846653- 20000000 ) Hub, Drive, Magnetic [Machined]	1
▲	27	33932	(10846653- 20000000 ) Nut, Hex, Lock, M4 X 0.70, NI, Ss	2
▲	28	1205043	(10000000- 20000000 ) Ring, Hub, Magnetic	1
▲	29	1227670	(10846653- 20000000 ) Screw, Flt, Soc, M4 X 0.70 X 14,18- 8, Ss	3

▽ ASSEMBLY

▲ INCLUDED IN ASSEMBLY

SCRUB HEAD GROUP, 60CM DUAL DISK, MAGNETIC HUB

355820



## SCRUB HEAD GROUP, 60CM DUAL DISK, MAGNETIC HUB

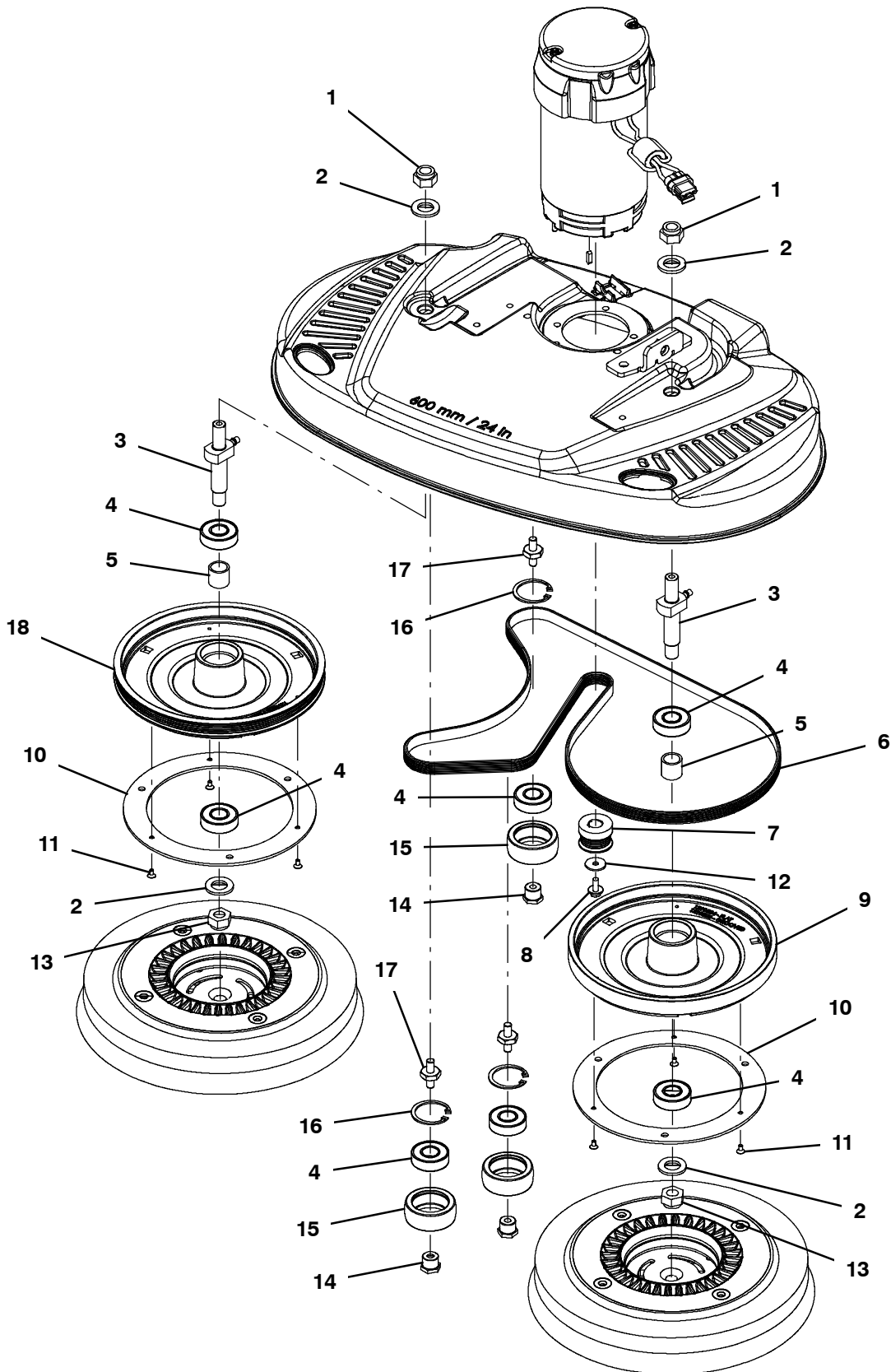
Ref.	Part No.	Serial Number	Description	Qty.
▽	1	1227280	(10835313- 20000000 ) Motor, 24vdc, 2000rpm, 7/8hp	1
▲		1059370	(10000000- 20000000 ) Brush, Motor, Replmt [Bag Of 4]	1
▲	2	1217769	(10000000- 20000000 ) Key, Sq, 04mm X 04mm, 15mml	1
▽	1	1210212	(10000000- 10835312 ) Motor, 24vdc, 2000rpm, 7/8hp, Us (Replaced By 9015160)	1
▲		1059370	(10000000- 20000000 ) Brush, Motor, Replmt [Bag Of 4]	1
▲	2	1217769	(10000000- 20000000 ) Key, Sq, 04mm X 04mm, 15mml	1
	3	09011	(10000000- 20000000 ) Screw, Hex, M8 X 1.25 X 30, Ss	1
	4	01685	(10000000- 20000000 ) Washer, Flat, 0.38b 0.88d .08, Ss	1
	5	222460	(10000000- 20000000 ) Sleeve, P/M, 0.32b 0.50d 0.5l [430ss]	1
	6	1010560	(10000000- 20000000 ) Wheel, Bmpr, 80d X 25w, Non- Marking	1
	7	1020341	(10000000- 20000000 ) Screw, Hex, M8 X 1.25 X 20, Ss, Sems	2
	8	1211506	(10000000- 20000000 ) Bracket, Rlr, Wall, Scb Head	1
	9	08713	(10000000- 20000000 ) Nut, Hex, Lock, M8 X 1.25, NI, Ss	1
	10	1210807	(10000000- 20000000 ) Wire, Tie [W/.25" Fir Tree Clip]	2
	11	130773	(10000000- 20000000 ) Tie, Cable, Nyl, 11.0l, .14w, 3.0 Max. D	2
	12	222375	(10000000- 20000000 ) Fitting, Plstc, Str, Bm06/bm08	1
	13	607776	(10000000- 20000000 ) Clamp, Hose, Wir, .73 - .77, Silver	1
	14	1216084	(10000000- 20000000 ) Manifold, Distribution, Water, 60dd [Vw]	1
	15	1217752	(10000000- 20000000 ) Bracket, Belt Guide	1
	16	1034731	(10000000- 20000000 ) Screw, Hex, M6 X 1.00 X 16, Sems, Ss	10
	17	1211027	(10000000- 20000000 ) Housing, Head, 60cm [Machined]	1
	18	1216346	(10000000- 20000000 ) Bracket Wldt, Guard, Splash, 60cm	1
	19	9011849	(10000000- 20000000 ) Bumper, Head, 60cm, Bristle Skirt	1
	20	1211907	(10000000- 20000000 ) Pin, Stop, Short	2
	21	1212785	(10000000- 20000000 ) Spring, Cmpr, .66od, .05wir, 1.75l, Ss	2
	22	1211242	(10000000- 20000000 ) Button, Plunger, Pad	2
	23	43844	(10000000- 20000000 ) Clamp, Hose, Wormdrive, 0.25- 0.62d, .31w	1
	24	1014929	(10000000- 20000000 ) Hose, Afmkt, Pvc, Clr, 0.38id, 01ft	1

▽ ASSEMBLY

▲ INCLUDED IN ASSEMBLY

SCRUB HEAD GROUP, 60CM DUAL DISK, MAGNETIC HUB - CONT'D

355336

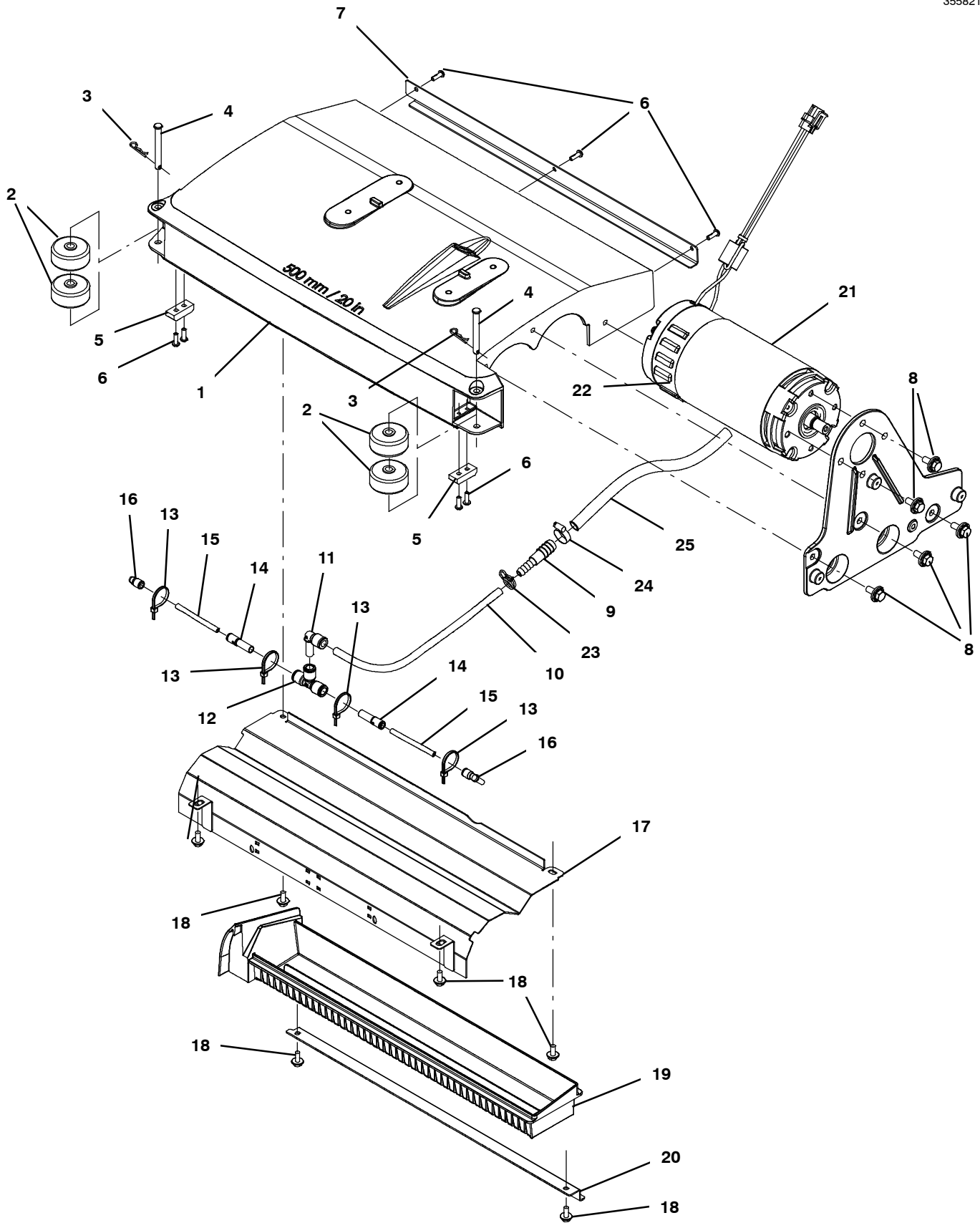


## SCRUB HEAD GROUP, 60CM DUAL DISK, MAGNETIC HUB - CONT'D

Ref.	Part No.	Serial Number	Description	Qty.
1	41517	(10000000- 20000000 )	Nut, Hex, Lock, M14 X 2.00, NI	2
2	1022549	(10000000- 20000000 )	Spacer, Shaft, 17.15b 30.0d 3.0l, Ss	4
3	1214206	(10000000- 20000000 )	Shaft Wldt, Mtg, Pulley	2
4	1211187	(10000000- 20000000 )	Bearing, Ball, 0.67b 1.57d 0.47w [6203]	7
5	1011041	(10000000- 20000000 )	Tube, 0.69id 0.87od 00.8l, Stl, PI	2
6	1055305	(10000000- 20000000 )	Belt, Drive, 6pj, Ej139 [T3]	1
7	1213927	(10000000- 20000000 )	Sheave, 06grv, 1.25pd 0.54b, Ss [Keyed]	1
8	1034731	(10000000- 20000000 )	Screw, Hex, M6 X 1.00 X 16, Sems, Ss	1
9	1210504	(10000000- 20000000 )	Hub, Drive, Magnetic, Flat, 60cm Dd	1
10	1205043	(10000000- 20000000 )	Ring, Hub, Magnetic	2
11	630114	(10000000- 20000000 )	Screw, Flt, Phl, M4 X 0.70 X 8, 4.8	6
12	019680127	(10000000- 20000000 )	Washer, Flat, 6.2mm Id X 22.0mm Od X 1.9	1
13	41517	(10000000- 20000000 )	Nut, Hex, Lock, M14 X 2.00, NI	2
14	1011008	(10000000- 20000000 )	Spacer, Brg, Idler	3
15	1058514	(10000000- 20000000 )	Pulley, Idler, 55d X 21w[60cm Dual Disk]	3
16	1013884	(10000000- 20000000 )	Ring, Retaining, Int, 40mm, Ss	3
17	1211624	(10000000- 20000000 )	Stud, M8 X 1.25, Dbl End W/Hex, Ss	3
18	1210503	(10000000- 20000000 )	Hub, Drive, Magnetic, Grooved, 60cm Dd	1

SCRUB HEAD GROUP, 50CM CYLINDRICAL

355821



## SCRUB HEAD GROUP, 50CM CYLINDRICAL

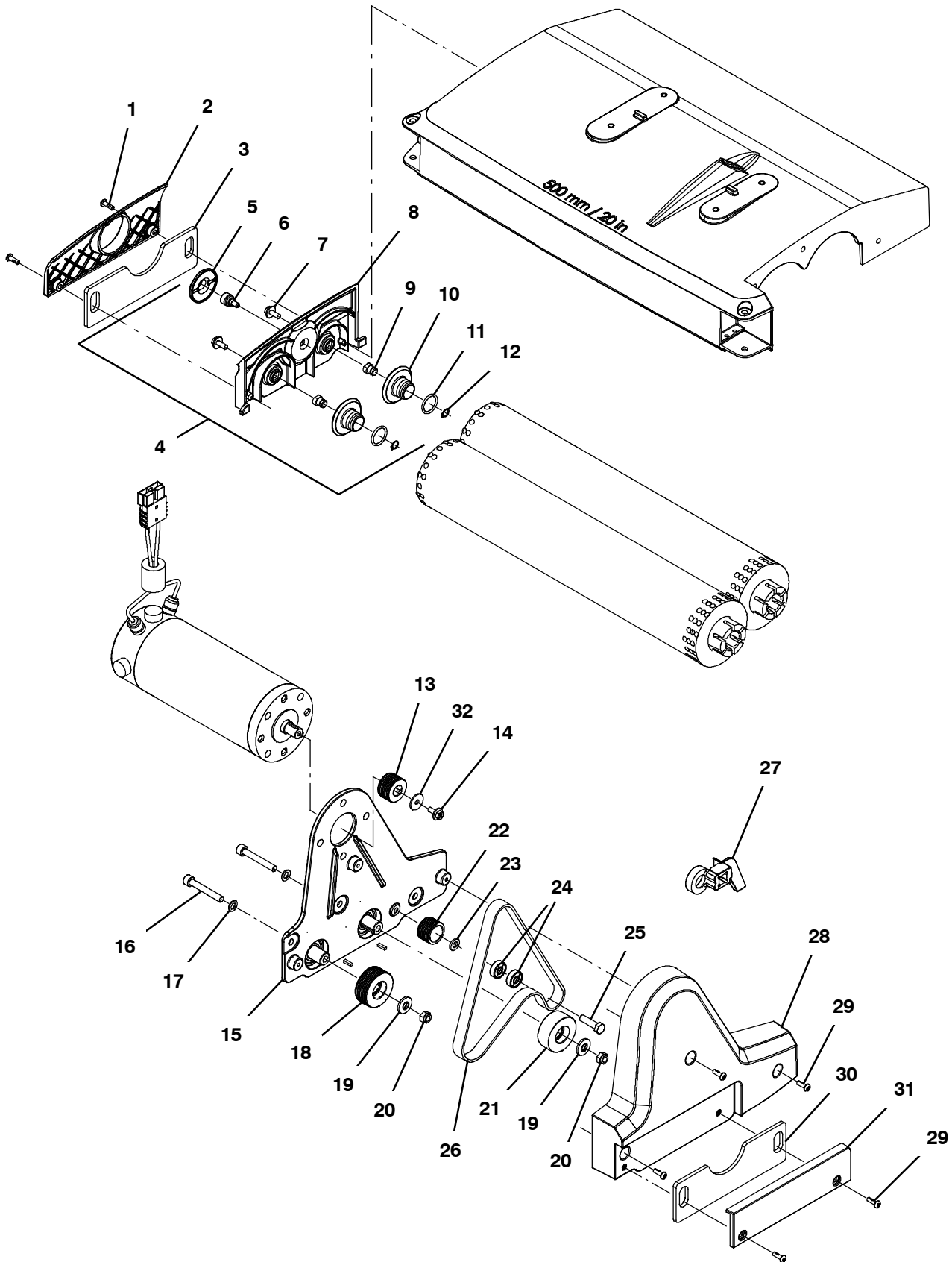
Ref.	Part No.	Serial Number	Description	Qty.	
1	1212265	(10000000-20000000)	Housing, Brush, Dbl 50cm [Machined]	1	
2	630477	(10000000-20000000)	Wheel, Pyu, 02.0d 0.38w, Gray	4	
3	1216647	(10000000-20000000)	Pin, Cotter, Hair, 0.38d .054 Wir	2	
4	391179	(10000000-20000000)	Pin, Clevis, 0.37d X 2.62l	2	
5	1215675	(10000000-20000000)	Skid, Brush Housing	2	
6	1205799	(10000000-20000000)	Screw, Btn, M5 X 0.8 X 16, 8.8, NI, Torx	7	
7	1213708	(10000000-20000000)	Bracket, Tray, Debris	1	
8	1020341	(10000000-20000000)	Screw, Hex, M8 X 1.25 X 20, Ss, Sems	7	
9	1039557	(10000000-20000000)	Fitting, Plstc, Str, Bm04/Bm06	1	
10	1014986	(10000000-20000000)	Hose, Afmkt, Pvc, Clr, 0.25id, 02ft	1	
11	1215186	(10000000-20000000)	Fitting, Plstc, E90, Qf06/Qm06	1	
12	1212573	(10000000-20000000)	Fitting, Plstc, Tee, Qf06/Qf06/Qf06	1	
13	130773	(10000000-20000000)	Tie, Cable, Nyl, 11.0l, .14w, 3.0 Max. D	4	
14	1212934	(10000000-20000000)	Fitting, Plstc, Str, Qf04/Qm06	2	
15	160827	(10000000-20000000)	Hose, Pvc, Clr, 0.12id 0.25od 010.5l	1	
16	1214339	(10000000-20000000)	Fitting, Plstc, E90, Qfo4/Qm04	2	
17	1219486	(10000000-20000000)	Panel Wldt, Brush	1	
18	1034731	(10000000-20000000)	Screw, Hex, M6 X 1.00 X 16, Sems, Ss	6	
19	1213706	(10000000-20000000)	Tray, Debris, 500mm [lm]	1	
20	1213707	(10000000-20000000)	Bracket, Tray, Debris	1	
▽	21	1210202	(10000000-20000000)	Motor, Ele, 24vdc [Vw Cyl]	1
▲		1217769	(10000000-20000000)	Key, Sq, 04mm X 04mm, 15mml	1
▲	22	1059370	(10000000-20000000)	Brush, Motor, Replmt [Bag Of 4]	1
	23	613735	(10000000-20000000)	Clamp, Hose, Wir, .40 - .42, Yel	1
	24	43844	(10000000-20000000)	Clamp, Hose, Wormdrive, 0.25- 0.62d, .31w	1
	25	1014929	(10000000-20000000)	Hose, Afmkt, Pvc, Clr, 0.38id, 01ft	1

▽ ASSEMBLY

▲ INCLUDED IN ASSEMBLY

SCRUB HEAD GROUP, 50CM CYLINDRICAL - CONT'D

355298





## SCRUB HEAD GROUP, 50CM CYLINDRICAL - CONT'D

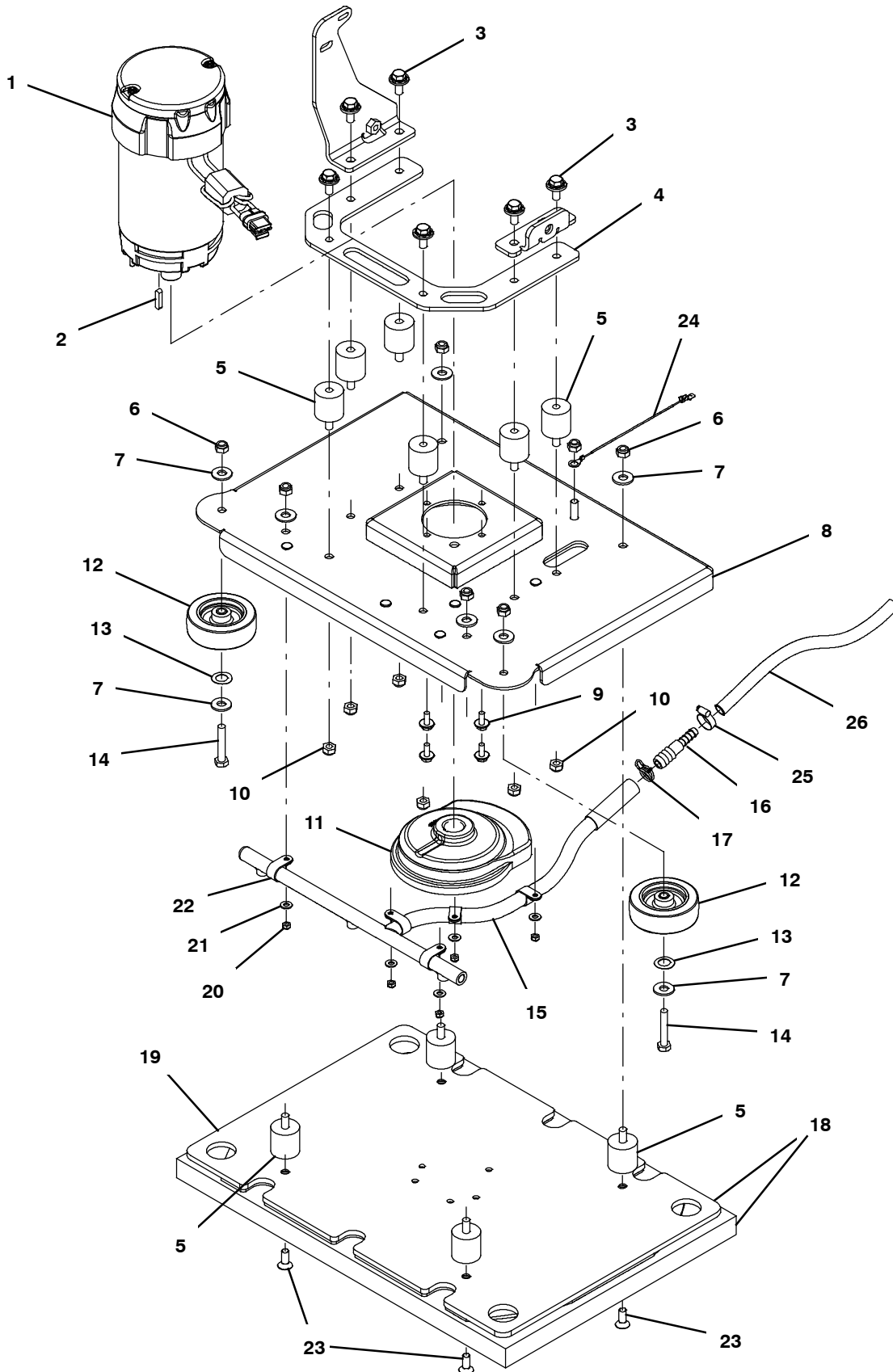
Ref.	Part No.	Serial Number	Description	Qty.
	1	1205799	(10000000-20000000 ) Screw, Btn, M5 X 0.8 X 16, 8.8, NI, Torx	2
	2	1216689	(10000000-20000000 ) Cover, Skirt, Cyl Door	1
	3	1215666	(10000000-20000000 ) Skirt, Side, Cyl, Floating	1
▽	4	9014168	(10000000-20000000 ) Door Assy, Brush	1
▲	5	1215581	(10000000-20000000 ) Cap, Screw	1
▲	6	1062149	(10000000-20000000 ) Knob, Rnd, 0.58d 0.50l, .25-20x.50l Stud	1
▲	7	1034731	(10000000-20000000 ) Screw, Hex, M6 X 1.00 X 16, Sems, Ss	2
▲	8	1212250	(10000000-20000000 ) Door, Brush [Machined]	1
▲	9	1030682	(10000000-20000000 ) Shaft, Idler Plug	2
▲	10	1030680	(10000000-20000000 ) Hub, Idler, Brush	2
▲	11	1220596	(10000000-20000000 ) Seal, Org, .139 X .859 Id, 212	2
▲	12	01543	(10000000-20000000 ) Ring, Retaining, Ext, 0.39d, Basic	2
	13	1210116	(10000000-20000000 ) Sheave, Motor, 07grv 1.3pd 0.50b [Pj]	1
	14	1034731	(10000000-20000000 ) Screw, Hex, M6 X 1.00 X 16, Sems, Ss	1
▽	15	9014167	(10000000-20000000 ) Brkt Assy, Motor, Sgl Mount (Also includes Hubs, Bearings and Seals Not Available Separately)	1
▲	16	1057476	(10000000-20000000 ) Screw, Soc, M8 X 1.25 X 55, Ss	2
▲	17	1057482	(10000000-20000000 ) Washer, Flat, 0.33b 0.57d 0.06, Ss	2
▲	18	1210204	(10000000-20000000 ) Sheave, Drive, Grvd 07grv, 2.0pd 0.67b [	1
▲	19	41186	(10000000-20000000 ) Washer, Flat, Belleville, .31	2
▲	20	08713	(10000000-20000000 ) Nut, Hex, Lock, M8 X 1.25, NI, Ss	2
▲	21	1210232	(10000000-20000000 ) Sheave, Drive, Smooth 2.0pd 0.67b	1
▲	22	1210233	(10000000-20000000 ) Sheave, Idler, 07grv 1.2pd 0.87b [Pj]	1
▲	23	1216289	(10000000-20000000 ) Spacer, Pulley, 2cyl, Pm [Vw]	1
▲	24	1027651	(10000000-20000000 ) Bearing, Ball, 8mmb X 22mmd X 7mmw	2
▲	25	1016399	(10000000-20000000 ) Screw, Hex, M8 X 1.25 X 30, NI, Ss	1
▲▽	9014166	(10000000-20000000 ) Kit, Belt, Motor (Includes Belt & Installation Tool)	1	
▲▲	26	1209587	(10000000-20000000 ) Belt, Motor [Vw Single Motor]	1
▲▲	27	1213132	(10000000-20000000 ) Tool, Installation, Belt	1
	28	1209594	(10000000-20000000 ) Cover, Belt	1
	29	1205799	(10000000-20000000 ) Screw, Btn, M5 X 0.8 X 16, 8.8, NI, Torx	5
	30	1215666	(10000000-20000000 ) Skirt, Side, Cyl, Floating	1
	31	1216728	(10000000-20000000 ) Cover, Skirt, Cyl Head	1
	32	019680127	(10000000-20000000 ) Washer, Flat, 6.2mm Id X 22.0mm Od X 1.9	1

▽ ASSEMBLY

▲ INCLUDED IN ASSEMBLY

SCRUB HEAD GROUP, 50CM ORBITAL

355822



## SCRUB HEAD GROUP, 50CM ORBITAL

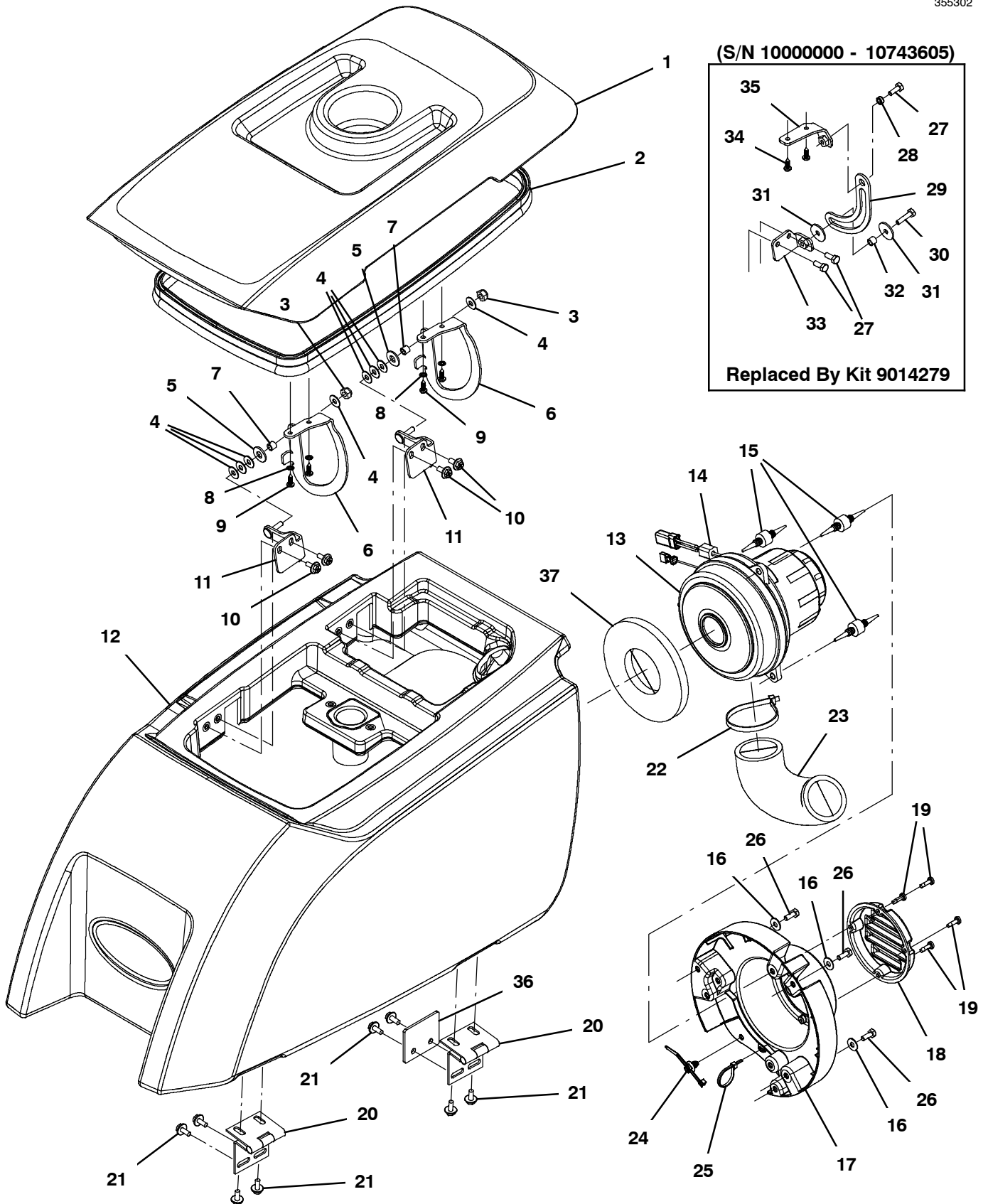
Ref.	Part No.	Serial Number	Description	Qty.
▽	1	1226909	(10827598- 20000000 ) Motor, Ele, 24vdc, 2200rpm, .6hp, 22mm	1
▲		1059370	(10000000- 20000000 ) Brush, Motor, Replmt [Bag Of 4]	1
▲	2	1014328	(10000000- 20000000 ) Key, Sq, 05mm X 05mm, 25mml	1
▽	1	1212669	(10000000- 10827597 ) Motor, Ele, 24vdc, 2200rpm, .6hp, 22mm (Replaced By 9015162)	1
▲		1059370	(10000000- 20000000 ) Brush, Motor, Replmt [Bag Of 4]	1
▲	2	1014328	(10000000- 20000000 ) Key, Sq, 05mm X 05mm, 25mml	1
	3	1020341	(10000000- 20000000 ) Screw, Hex, M8 X 1.25 X 20, Ss, Sems	6
	4	1209745	(10000000- 20000000 ) Plate, Mtg, Head [50cm Orb]	1
	5	1212543	(10000000- 20000000 ) Isolator, Neoprene, 1.25" X 1.25", M8	10
	6	08713	(10000000- 20000000 ) Nut, Hex, Lock, M8 X 1.25, NI, Ss	6
	7	01685	(10000000- 20000000 ) Washer, Flat, 0.38b 0.88d .08, Ss	8
	8	1212527	(10000000- 20000000 ) Deck Wldt, Scrbr [Volga Wet]	1
	9	1034731	(10000000- 20000000 ) Screw, Hex, M6 X 1.00 X 16, Sems, Ss	4
	10	08713	(10000000- 20000000 ) Nut, Hex, Lock, M8 X 1.25, NI, Ss	6
	11	9014175	(10000000- 20000000 ) Kit, Eccentric Assy, [T300] (See Breakdowns)	1
	12	1014918	(10000000- 20000000 ) Wheel, 03.0d 0.88w 0.31b, W/ Bshg, Rbr	2
	13	1210221	(10000000- 20000000 ) Washer, Wave, .515b, .875d, .013, Ss	2
	14	222505	(10000000- 20000000 ) Screw, Hex, M8 X 1.25 X 45, Ss	2
	15	1212468	(10000000- 20000000 ) Manifold, Distribution, Water, Orb [Vw]	1
	16	222375	(10000000- 20000000 ) Fitting, Plstc, Str, Bm06/bm08	1
	17	607776	(10000000- 20000000 ) Clamp, Hose, Wir, .73 - .77, Silver	1
▽	18	9014189	(10000000- 20000000 ) Kit, Afmkt, Pad Driver [T300]	1
▲	19	1212615	(10000000- 20000000 ) Face, Pad Driver [Volga Wet]	1
	20	09739	(10000000- 20000000 ) Nut, Hex, Lock, M5 X 0.80, NI, Ss	5
	21	01683	(10000000- 20000000 ) Washer, Flat, 10, Ss	5
	22	140916	(10000000- 20000000 ) Clamp, Cable, Nyl, 0.62d, Nat	5
	23	1218926	(10000000- 20000000 ) Screw, Flt, Soc, M8 X 1.25 X 14, Ss	4
	24	1074344	(10000000- 20000000 ) Harness, Ele [Ring With .250m Tail]	1
	25	43844	(10000000- 20000000 ) Clamp, Hose, Wormdrive, 0.25- 0.62d, .31w	1
	26	1014929	(10000000- 20000000 ) Hose, Afmkt, Pvc, Clr, 0.38id, 01ft	1

▽ ASSEMBLY

▲ INCLUDED IN ASSEMBLY

RECOVERY TANK GROUP, STANDARD MODEL

355302



## RECOVERY TANK GROUP, STANDARD MODEL

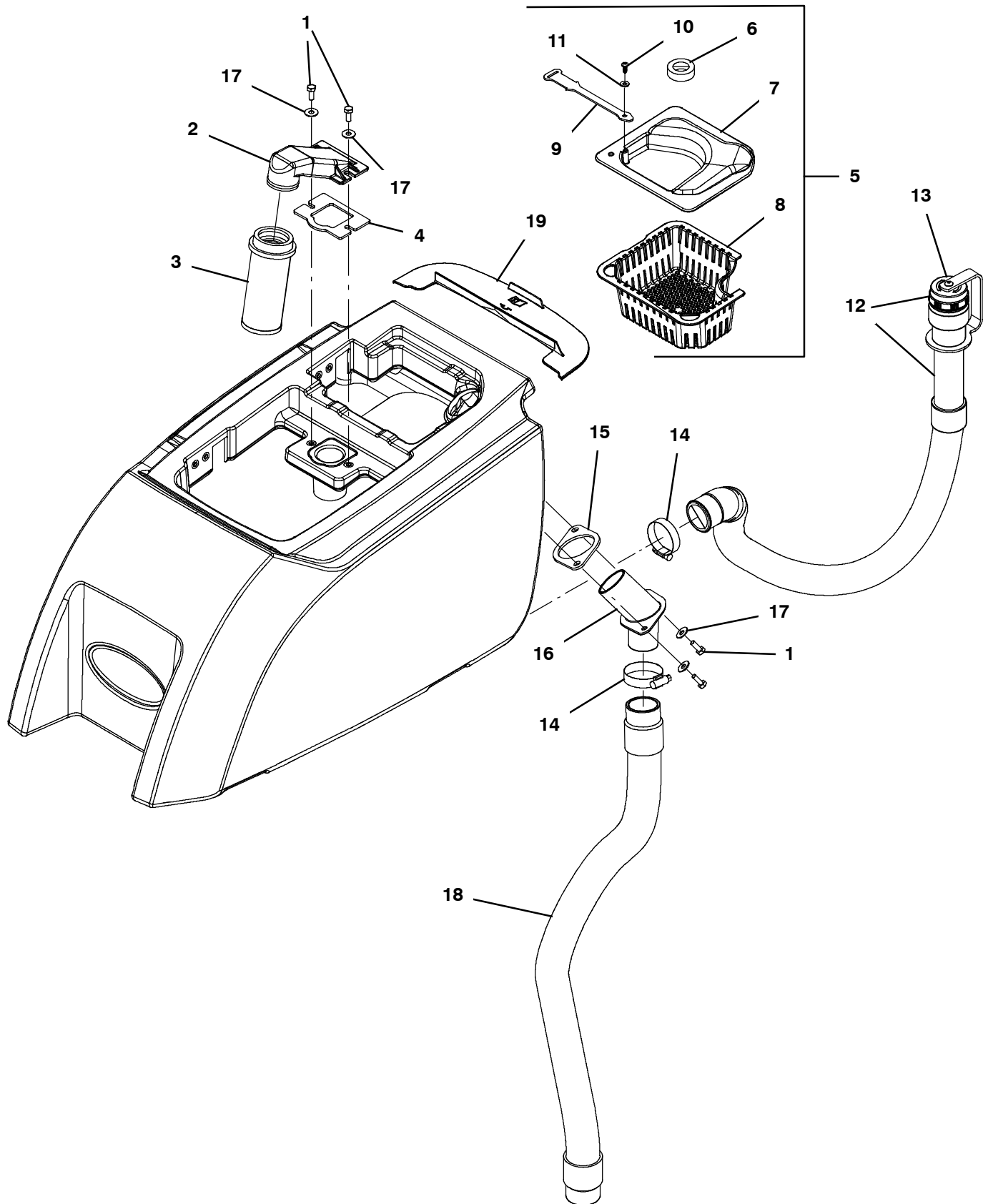
Ref.	Part No.	Serial Number	Description	Qty.
▽	1	9014682	(10000000- 20000000 ) Kit, Cover, Recvy, Ci [Na]	1
▽	1	9014683	(10000000- 20000000 ) Kit, Cover, Recvy, Ci [Jp]	1
▲	2	1210472	(10000000- 20000000 ) Seal, Afmkt, Bulb, 0.50d .13grip, 05ft	1
	3	08712	(10743605- 20000000 ) Nut, Hex, Lock, M6 X 1.00, NI, Ss	2
	4	01684	(10743605- 20000000 ) Washer, Flat, 0.27b 0.69d .05, Ss	8
	5	1231213	(10743605- 20000000 ) Washer, Flat, 0.39b 1.00d .02, Ss	2
	6	1219440	(10743605- 20000000 ) Hinge, Goose Neck	2
	7	80491	(10743605- 20000000 ) Sleeve, P/M, 0.25b 0.38d 0.2l [430ss]	2
	8	07514	(10743605- 20000000 ) Washer, Lock, Int, 10, Ss	4
	9	1018155	(10743605- 20000000 ) Screw, Pan, Phl, M5 X 0.80 X 16, Tcut,Ss	4
	10	1034731	(10743605- 20000000 ) Screw, Hex, M6 X 1.00 X 16, Sems, Ss	4
	11	1219473	(10743605- 20000000 ) Hinge, Mount, Wldt	2
	12	9014150	(10000000- 20000000 ) Kit, Tank, Recvy, W/Labels [T300]	1
▽	13	1226905	(10000000- 20000000 ) Fan, Vacuum, 6.6d, 024vdc, 2 Stage	1
▲		1206774	(10000000- 20000000 ) Vr, Brush Kit, Motor, Fan (1 Pkg = 2 Pcs)	1
▲	14	1052126	(10000000- 20000000 ) Inductor, 12.7mmid [156 Imp At 25mhz]	1
	15	1062016	(10000000- 20000000 ) Isolator, Vib, .75d	3
	16	01684	(10000000- 20000000 ) Washer, Flat, 0.27b 0.69d .05, Ss	3
	17	1207368	(10000000- 20000000 ) Mount, Vacfan, 5.7/6.6	1
	18	1209342	(10000000- 20000000 ) Cover, Inlet, Vac, Vented	1
	19	1043573	(10000000- 20000000 ) Screw, #10- 14 X 0.675, Spl[Shcs,Selftap]	4
	20	1209466	(10000000- 20000000 ) Hinge, 6mm Pin 2.5 73.5mmw 60.0mml, Bent	2
	21	1034731	(10000000- 20000000 ) Screw, Hex, M6 X 1.00 X 16, Sems, Ss	8
	22	130773	(10000000- 20000000 ) Tie, Cable, Nyl, 11.0l, .14w, 3.0 Max. D	2
	23	1068577	(10000000- 20000000 ) Muffler, Exhaust, Vacfan, 150mml [T2/T3]	1
	24	1210807	(10000000- 20000000 ) Wire, Tie [W/.25" Fir Tree Clip]	1
	25	130773	(10000000- 20000000 ) Tie, Cable, Nyl, 11.0l, .14w, 3.0 Max. D	1
	26	11329	(10000000- 20000000 ) Screw, Hex, M6 X 1.00 X 16, NI, Ss	3
	27	11329	(10000000- 10743604 ) Screw, Hex, M6 X 1.00 X 16, NI, Ss	6
	28	80491	(10000000- 10743604 ) Sleeve, P/M, 0.25b 0.38d 0.2l [430ss]	2
	29	1210250	(10000000- 10743604 ) Plate, Slide, Hinge (Replace By Kit 9014279)	2
	30	1016005	(10000000- 10743604 ) Screw, Hex, M6 X 1.00 X 25, NI, Fl, Ss	2
	31	140003	(10000000- 10743604 ) Washer, Flat, 0.25b 1.00d .06, Ss, Fendr	4
	32	140154	(10000000- 10743604 ) Sleeve, P/M, 0.25b 0.38d 0.3l, PI	2
	33	1210471	(10000000- 10743604 ) Bracket Wldt, Hinge, Fixed (Replace By Kit 9014279)	2
	34	1210469	(10000000- 10743604 ) Bracket Wldt, Hinge (Replace By Kit 9014279)	2
	35	1018155	(10000000- 10743604 ) Screw, Pan, Phl, M5 X 0.80 X 16, Tcut,Ss	4
	36	1220553	(10000000- 20000000 ) Plate, Hinge, Doubler	1
	37	100038	(10000000- 20000000 ) Gasket, .50, 02.63id 05.75od, Adh [Epdm]	1

▽ ASSEMBLY

▲ INCLUDED IN ASSEMBLY

RECOVERY TANK FILTER AND HOSE GROUP, PINCH CUFF SCREW CAP

355753



## RECOVERY TANK FILTER AND HOSE GROUP, PINCH CUFF SCREW CAP

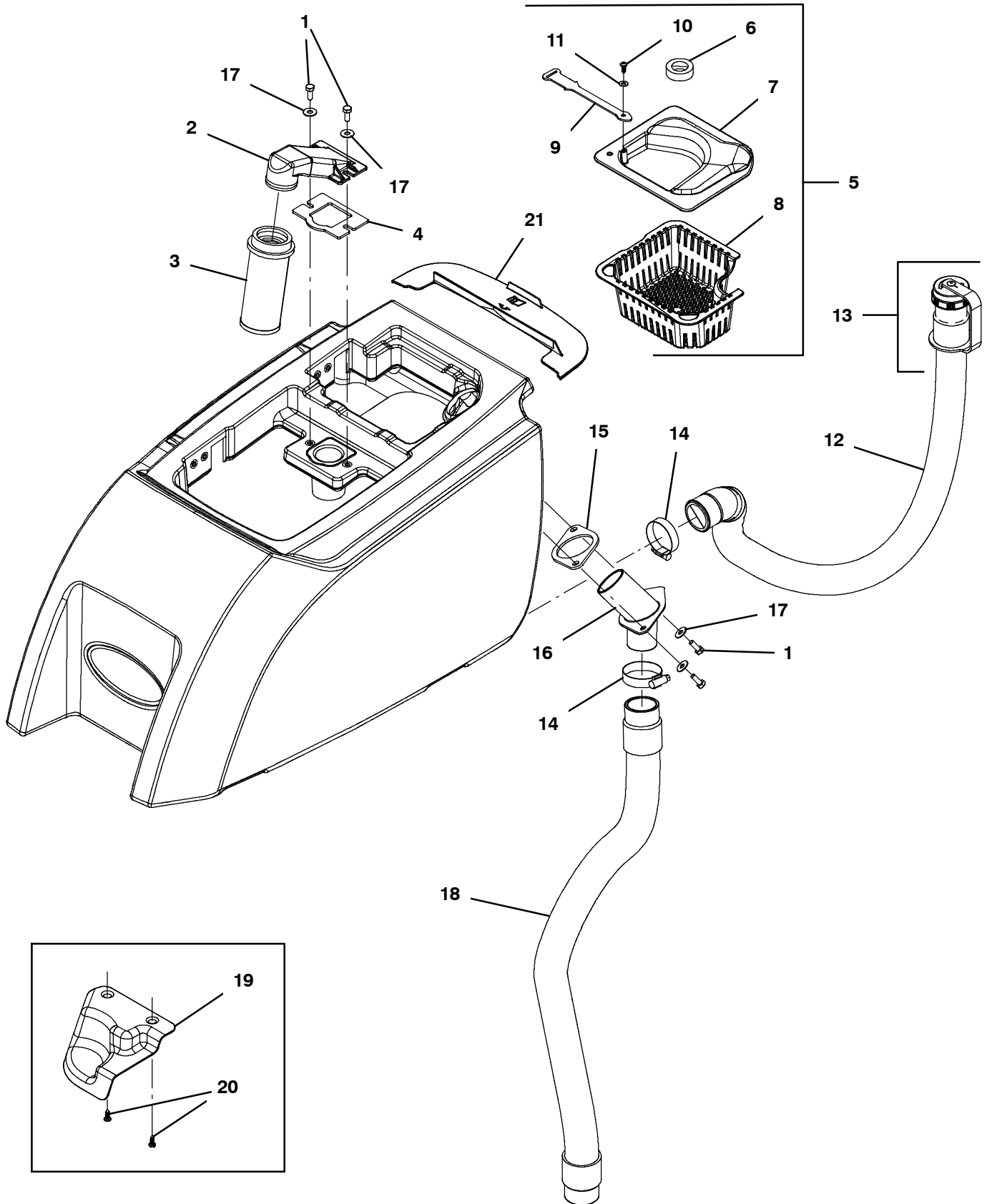
Ref.	Part No.	Serial Number	Description	Qty.
1	11329	(10000000- 20000000 )	Screw, Hex, M6 X 1.00 X 16, NI, Ss	4
2	1011777	(10000000- 20000000 )	Mount, Float, Mold	1
3	630052	(10000000- 20000000 )	Float, Shut- Off, (2)Ball, 1.75d	1
4	1013628	(10000000- 20000000 )	Gasket, Mtg, Float, .125th, Neo, Adh	1
▽	5	9014872	(10785189- 20000000 ) Kit, Deflector, Tray, Debris, Ci, [T300]	1
▲	6	1225187	(10785189- 20000000 ) Seal, Rbr, Clsd, 12.7 <sup>Th</sup> , 24.0ld, 40.0Od	1
▲	7	1224899	(10785189- 20000000 ) Deflector, Tray, Debris	1
▲	8	1207357	(10000000- 20000000 ) Tray, Debris, Tank, Recvy [T300]	1
▲	9	1225172	(10785189- 20000000 ) Strap, Retaining, Deflector, 150.0L	1
▲	10	1018155	(10785189- 20000000 ) Screw, Pan, Phl, M5 X 0.80 X 16, Tcut,Ss	1
▲	11	01683	(10785189- 20000000 ) Washer, Flat, 10, Ss	1
▽	12	1251388	(10988543- 20000000 ) Hose Assy, Drain, 1.5id X 13.0l [Pvc] (Black - Standard)	1
▲	13	1218955	(10988543- 20000000 ) Cap, Drain Assy [Black]	1
▽	12	1246719	(10949064- 10988542 ) Hose Assy, Drain, 1.5id X 21.9l [Pu] (Gray - Option) (NLA - Replaced By 1251388)	1
▲	13	1219134	(10000000- 10988542 ) Cap, Drain Assy [Gray]	1
14	11531	(10000000- 20000000 )	Clamp, Hose, Wormdrive, 1.06- 2.00d, .56w	2
15	1037106	(10000000- 20000000 )	Gasket, Adapter, Hose .13, Neo	1
16	1207196	(10000000- 20000000 )	Tube, Hose, Adapter, 1.5d [T300]	1
17	01684	(10000000- 20000000 )	Washer, Flat, 0.27b 0.69d .05, Ss	4
18	1211220	(10988543- 20000000 )	Hose Assy,W/2cuff,1.5d 022l 1.5/1.5[Pvc] (Black - Standard)	1
18	1204663	(10000000- 10988542 )	Hose Assy, W/2cuff,1.5d 031l 1.5/1.5[Pu] (Gray - Option) (No Longer Available - Replaced By 1211220 - Black Standard PVC)	1
19	9014905	(10786729- 20000000 )	Cover Kit, Circuitbreaker, Ci[T300/E/Ss]	1

▽ ASSEMBLY

▲ INCLUDED IN ASSEMBLY

RECOVERY TANK FILTER AND HOSE GROUP, STANDARD SCREW CAP

355303





RECOVERY TANK FILTER AND HOSE GROUP, STANDARD SCREW CAP

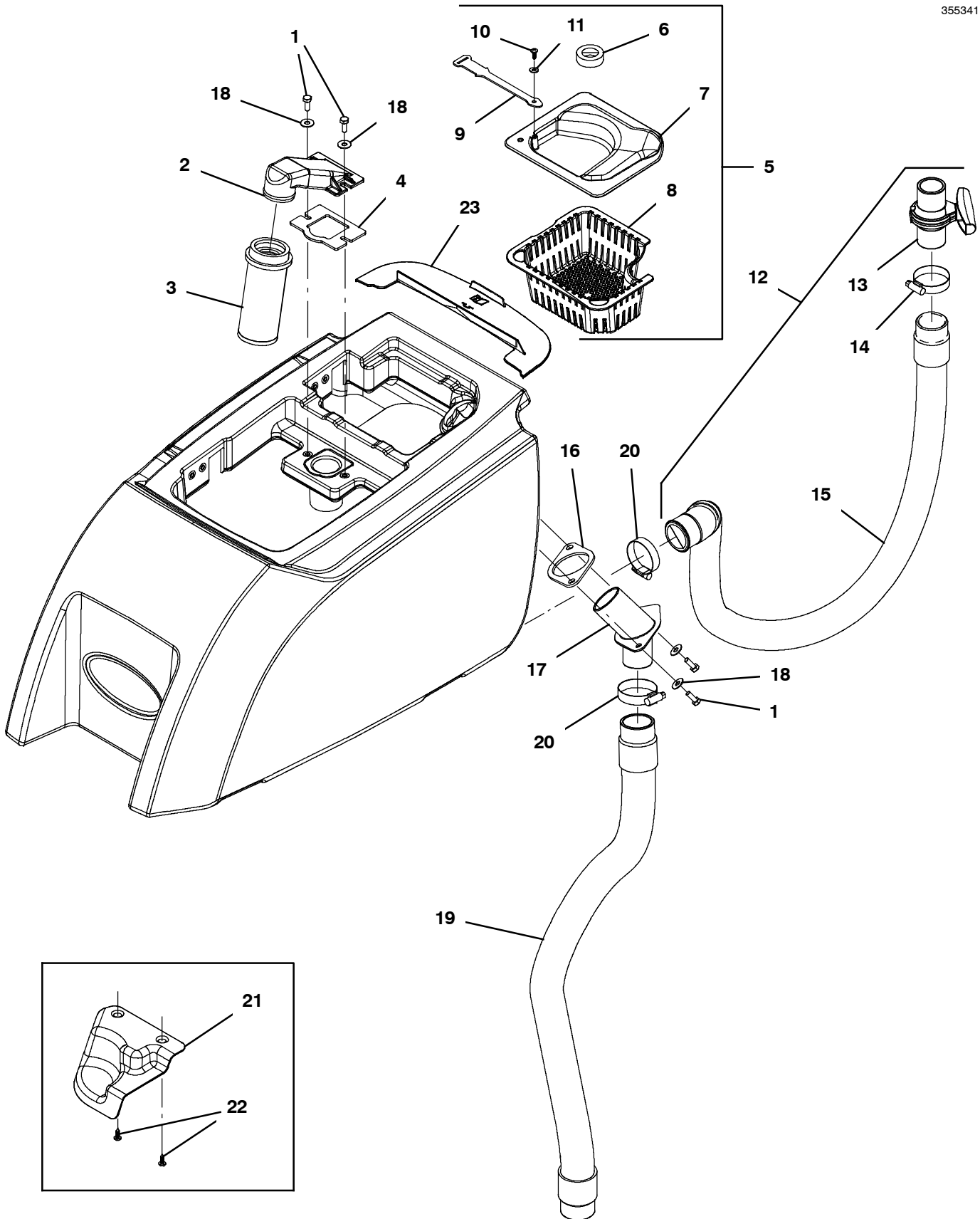
Ref.	Part No.	Serial Number	Description	Qty.
1	11329	(10000000- 20000000 )	Screw, Hex, M6 X 1.00 X 16, NI, Ss	4
2	1011777	(10000000- 20000000 )	Mount, Float, Mold	1
3	630052	(10000000- 20000000 )	Float, Shut- Off, (2)Ball, 1.75d	1
4	1013628	(10000000- 20000000 )	Gasket, Mtg, Float, .125th, Neo, Adh	1
▽	5	9014872	(10785189- 20000000 ) Kit, Deflector, Tray, Debris, Ci, [T300]	1
▲	6	1225187	(10785189- 20000000 ) Seal, Rbr, Clsd, 12.7 <sup>Th</sup> , 24.0ld, 40.0Od	1
▲	7	1224899	(10785189- 20000000 ) Deflector, Tray, Debris	1
▲	8	1207357	(10000000- 20000000 ) Tray, Debris, Tank, Recvy [T300]	1
▲	9	1225172	(10785189- 20000000 ) Strap, Retaining, Deflector, 150.0L	1
▲	10	1018155	(10785189- 20000000 ) Screw, Pan, Phl, M5 X 0.80 X 16, Tcut,Ss	1
▲	11	01683	(10785189- 20000000 ) Washer, Flat, 10, Ss	1
▽	12	1213010	(10000000- 10988542 ) Hose Assy, Drain, 1.5d 017l 1.5/Cap[Pvc] (Black - Standard) (Black Pinch Cuff Screw Cap 1251388)	1
▲	13	1218955	(10000000- 20000000 ) Cap, Drain Assy [Black]	1
▽	12	1213008	(10000000- 10949063 ) Hose Assy, Drain, 1.5d 025l 1.5/Cap [Pu] (Gray - Option) (No Longer Available - Replaced by Black Pinch Cuff Screw Cap 1251388)	1
▲	13	1219134	(10000000- 10988542 ) Cap, Drain Assy [Gray]	1
14	11531	(10000000- 20000000 )	Clamp, Hose, Wormdrive, 1.06- 2.00d, .56w	2
15	1037106	(10000000- 20000000 )	Gasket, Adapter, Hose .13, Neo	1
16	1207196	(10000000- 20000000 )	Tube, Hose, Adapter, 1.5d [T300]	1
17	01684	(10000000- 20000000 )	Washer, Flat, 0.27b 0.69d .05, Ss	4
18	1211220	(10000000- 20000000 )	Hose Assy,W/2cuff,1.5d 022l 1.5/1.5[Pvc] (Black - Standard)	1
18	1204663	(10000000- 10988542 )	Hose Assy, W/2cuff,1.5d 031l 1.5/1.5[Pu] (Gray - Option) (No Longer Available - Replaced By 1211220 - Black Standard PVC)	1
19	1210214	(10000000- 10785188 )	Deflector, Water, Recvy (Replaced By 9014872)	1
20	1018155	(10000000- 10785188 )	Screw, Pan, Phl, M5 X 0.80 X 16, Tcut,Ss	2
21	9014905	(10786729- 20000000 )	Cover Kit, Circuitbreaker, Ci[T300/E/Ss]	1

▽ ASSEMBLY

▲ INCLUDED IN ASSEMBLY

RECOVERY TANK FILTER AND HOSE GROUP, CONTROL VALVE

355341



## RECOVERY TANK FILTER AND HOSE GROUP, CONTROL VALVE

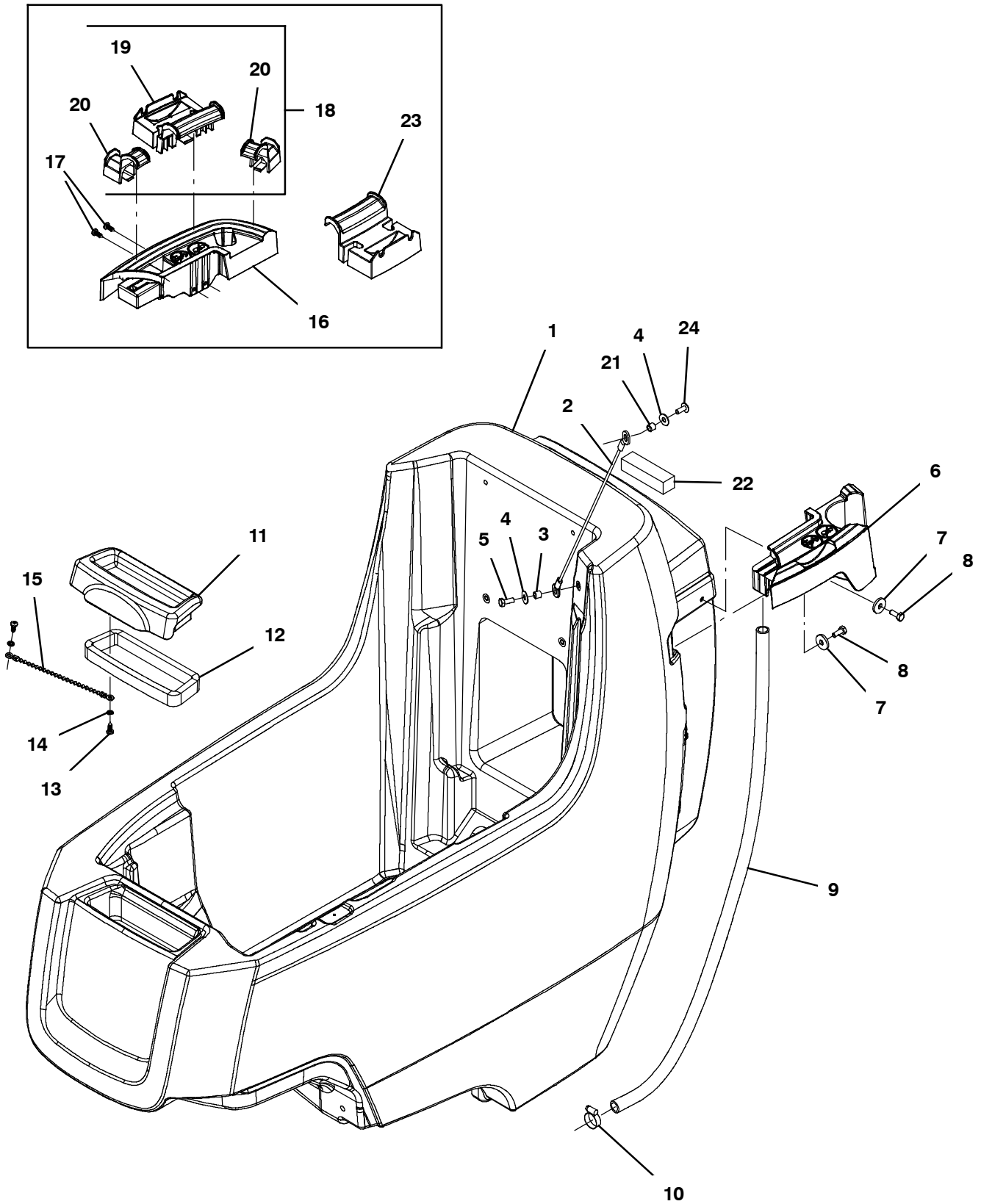
Ref.	Part No.	Serial Number	Description	Qty.
1	11329	(10000000- 20000000 )	Screw, Hex, M6 X 1.00 X 16, NI, Ss	4
2	1011777	(10000000- 20000000 )	Mount, Float, Mold	1
3	630052	(10000000- 20000000 )	Float, Shut- Off, (2)Ball, 1.75d	1
4	1013628	(10000000- 20000000 )	Gasket, Mtg, Float, .125th, Neo, Adh	1
▽	5	9014872	(10785189- 20000000 ) Kit, Deflector, Tray, Debris, Ci, [T300]	1
▲	6	1225187	(10785189- 20000000 ) Seal, Rbr, Clsd, 12.7 <sup>Th</sup> , 24.0Id, 40.0Od	1
▲	7	1224899	(10785189- 20000000 ) Deflector, Tray, Debris	1
▲	8	1207357	(10000000- 20000000 ) Tray, Debris, Tank, Recvy [T300]	1
▲	9	1225172	(10785189- 20000000 ) Strap, Retaining, Deflector, 150.0L	1
▲	10	1018155	(10785189- 20000000 ) Screw, Pan, Phl, M5 X 0.80 X 16, Tcut,Ss	1
▲	11	01683	(10785189- 20000000 ) Washer, Flat, 10, Ss	1
▽	12	9014171	(10000000- 10949063 ) Hose Assy, With Valve (Gray - Option) (No Longer Available - Replaced by Black Pinch Cuff Screw Cap 1251388)	1
▲	13	1051986	(10000000- 10949063 ) Valve, Ball, 2way, 1.0Id Pvc, W/Handle (No Longer Available - Replaced by Black Pinch Cuff Screw Cap 1251388)	1
▲	14	11531	(10000000- 20000000 ) Clamp, Hose, Wormdrive, 1.06- 2.00d, .56w	1
▲	15	1222591	(10000000- 10949063 ) Hose Assy, 45cuff,1.5d 021I 1.5/1.5[Pu] (No Longer Available - Replaced By Black Pinch Cuff Screw Cap 1251388)	1
16	1037106	(10000000- 20000000 )	Gasket, Adapter, Hose .13, Neo	1
17	1207196	(10000000- 20000000 )	Tube, Hose, Adapter, 1.5d [T300]	1
18	01684	(10000000- 20000000 )	Washer, Flat, 0.27b 0.69d .05, Ss	4
19	1204663	(10000000- 10988542 )	Hose Assy, W/2cuff,1.5d 031I 1.5/1.5[Pu] (Gray - Option) (No Longer Available - Replaced By 1211220 - Black PVC Standard)	1
20	11531	(10000000- 20000000 )	Clamp, Hose, Wormdrive, 1.06- 2.00d, .56w	2
21	1210214	(10000000- 10785188 )	Deflector, Water, Recvy	1
22	1018155	(10000000- 10785188 )	Screw, Pan, Phl, M5 X 0.80 X 16, Tcut,Ss	2
23	9014905	(10786729- 20000000 )	Cover Kit, Circuitbreaker, Ci[T300/E/Ss]	1

▽ ASSEMBLY

▲ INCLUDED IN ASSEMBLY

SOLUTION TANK GROUP

355304



## SOLUTION TANK GROUP

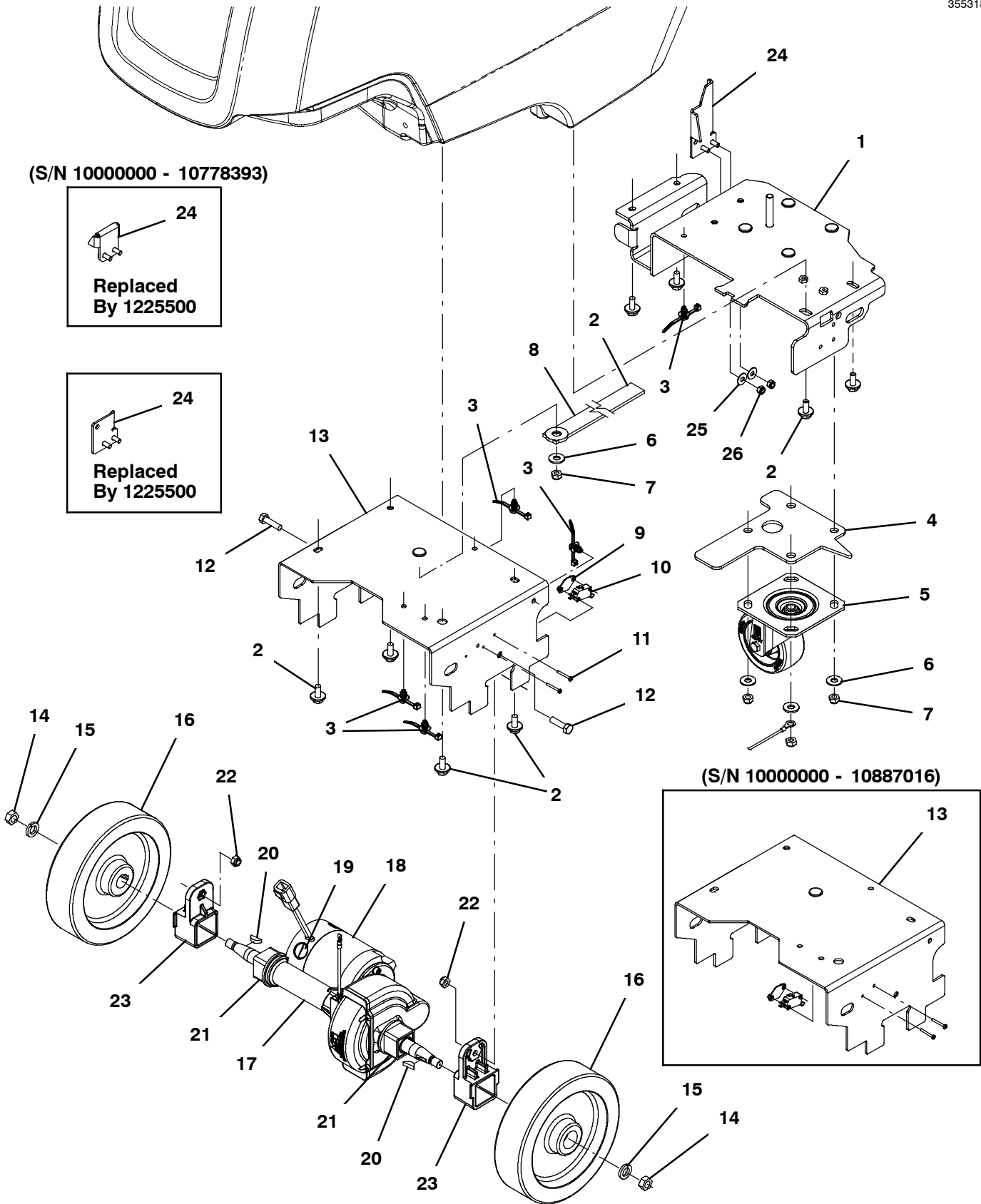
Ref.	Part No.	Serial Number	Description	Qty.
1	9014156	(10000000- 20000000 )	Kit, Tank, Soltn, [T300/T300e]	1
2	391368	(10000000- 20000000 )	Cable, Glv .09d 016.5l .38eye /.38eye	1
3	140154	(10000000- 20000000 )	Sleeve, P/M, 0.25b 0.38d 0.3l, PI	2
4	01684	(10000000- 20000000 )	Washer, Flat, 0.27b 0.69d .05, Ss	2
5	12277	(10000000- 20000000 )	Screw, Hex, M6 X 1.00 X 20, NI, Ss	1
6	1214264	(10000000- 20000000 )	Tray, Accssry, Lh, 16mm Screw	1
7	140053	(10000000- 20000000 )	Washer, Flat, 0.28b 0.88d .12, Ss	2
8	11329	(10000000- 20000000 )	Screw, Hex, M6 X 1.00 X 16, NI, Ss	2
9	20778	(10000000- 20000000 )	Hose, Pvc, Clr, 0.50id 0.69od 030.0l	1
10	54333	(10000000- 20000000 )	Clamp, Hose, Wormdrive, 0.31- 0.88d, .31w	1
11	9014158	(10000000- 20000000 )	Kit, Cvr, Fill, W/ Ech20, Ci [Na/Jp]	1
11	9014410	(10000000- 20000000 )	Kit, Cvr, Fill, Ci [Na/Jp]	1
12	1046428	(10000000- 20000000 )	Seal, Afmkt, Rbr, Clsd, Adh, 02ft	1
13	1018155	(10000000- 20000000 )	Screw, Pan, Phl, M5 X 0.80 X 16, Tcut,Ss	2
14	07514	(10000000- 20000000 )	Washer, Lock, Int, 10, Ss	2
15	621443	(10000000- 20000000 )	Chain, Ball, 10, 0157mml, Ss	1
16	1214249	(10000000- 10809548 )	Tray, Accssry, Rh, 16mm Screw (Option - No Longer Available)	1
17	1018155	(10000000- 10809548 )	Screw, Pan, Phl, M5 X 0.80 X 16, Tcut,Ss	2
▽	18	9013845	Clip Kit, Rail, [T300/T300e/Ss300] (Option - No Longer Available)	1
▲	19	1214292	Bracket, Hanger, Rail, Lrg (Option - No Longer Available)	1
▲	20	1214291	Bracket, Hanger, Rail, Small (Option - No Longer Available)	2
	21	80491	Sleeve, P/M, 0.25b 0.38d 0.2l [430ss]	1
	22	1229734	Seal, Neo, 0.88, 1.00w 3.6l Adh	1
	23	1214292	Bracket, Hanger, Rail, Lrg (Option - No Longer Available)	1
	24	1202143	Screw, Trs, M6 X 1.00 X 16, Phl, NI, Blk	1

▽ ASSEMBLY

▲ INCLUDED IN ASSEMBLY

FRAME GROUP, PROPEL MODEL

355318



## FRAME GROUP, PROPEL MODEL

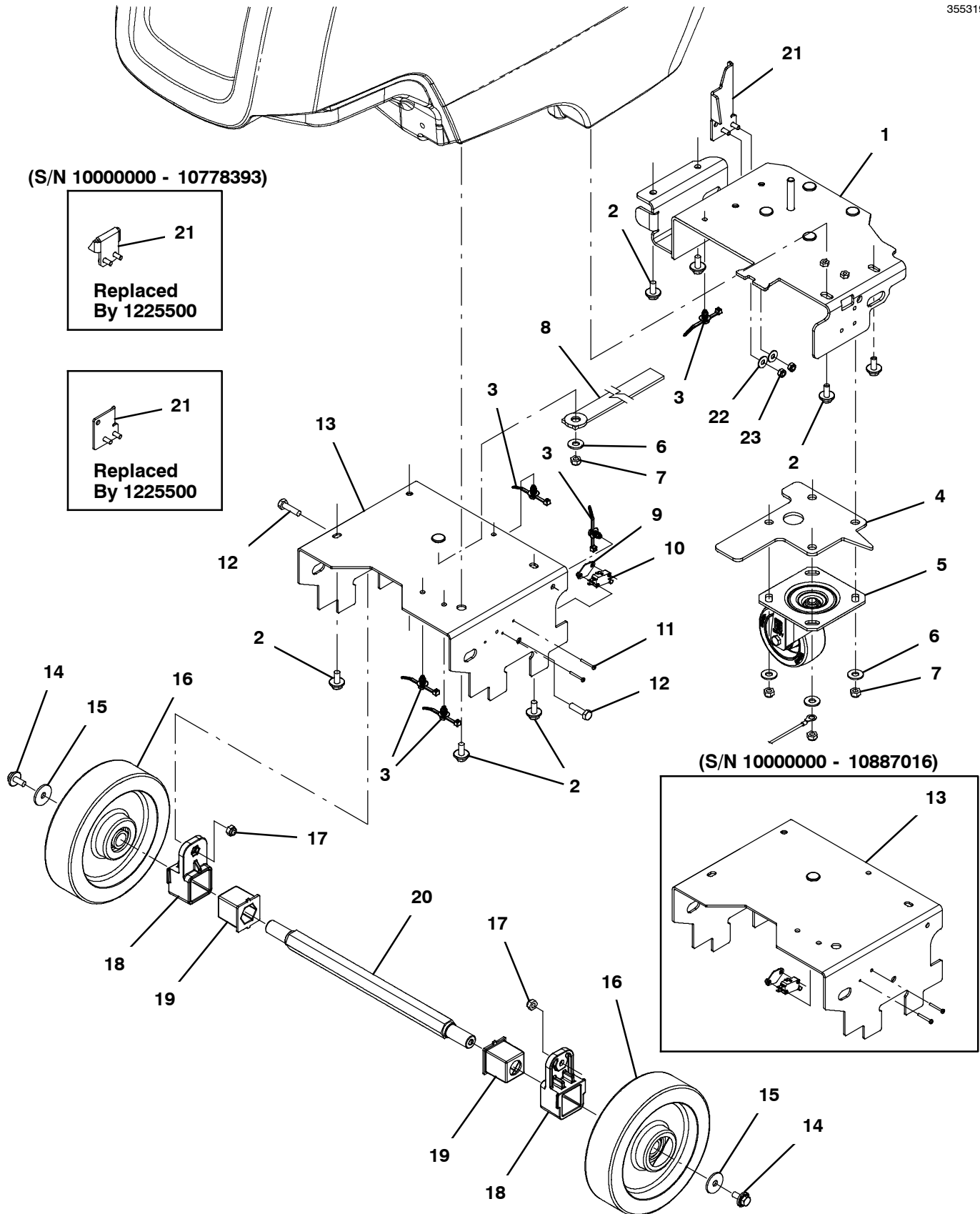
Ref.	Part No.	Serial Number	Description	Qty.	
1	1208498	(10000000- 20000000 )	Frame Wldt, Rear	1	
2	1020341	(10000000- 20000000 )	Screw, Hex, M8 X 1.25 X 20, Ss, Sems	8	
3	1210807	(10000000- 20000000 )	Wire, Tie [W/.25" Fir Tree Clip]	5	
4	1215093	(10000000- 20000000 )	Spacer, Caster	1	
5	1212422	(10000000- 20000000 )	Caster, Swivel [Wicke 224051]	1	
6	01685	(10000000- 20000000 )	Washer, Flat, 0.38b 0.88d .08, Ss	5	
7	08713	(10000000- 20000000 )	Nut, Hex, Lock, M8 X 1.25, NI, Ss	5	
8	71579	(10000000- 20000000 )	Strap, Static, W/Grommet, .19 1.1w 25.0l	1	
9	1013705	(10000000- 20000000 )	Plate, Thread, Switch, M3 Nut, 96hr PI	1	
10	1215716	(10000000- 20000000 )	Switch, 0.1a, Spdt[Micro, Gold Contacts]	1	
11	33933	(10000000- 20000000 )	Screw, Pan, Phl, M3 X 0.50 X 25, Ss	2	
12	09011	(10000000- 20000000 )	Screw, Hex, M8 X 1.25 X 30, Ss	2	
13	1234032	(10887017- 20000000 )	Frame Wldt, Front	1	
13	1211968	(10000000- 10887016 )	Frame Wldt, Front	1	
14	09741	(10000000- 20000000 )	Nut, Hex, Lock, M12 X 1.75, NI, Ss	2	
15	140058	(10000000- 20000000 )	Washer, Flat, 0.54b 0.88d .06, Ss [Wand]	2	
16	1223582	(10000000- 20000000 )	Wheel, Scrbr, 8.00d, W/ Taper	2	
▽	17	1209779	(10000000- 20000000 )	Transaxle, Ele, 24vdc, 112rpm [Asi]	1
▲		1017782	(10000000- 20000000 )	Coupling Kit, Transaxle, Replmt [11057]	1
▲▽	18	1216386	(10000000- 20000000 )	Motor, Transaxle, 24vdc, Replmt [UI, Ce]	1
▲▲	19	1212351	(10000000- 20000000 )	Brush Kit, Carbon, Transaxle, UI (1 Kit = 4 Pcs)	1
▲	20	1021167	(10000000- 20000000 )	Key, Woodruff, 5mm	2
▲	21	612880	(10000000- 20000000 )	Joint, Transaxle, Replmt	2
	22	08713	(10000000- 20000000 )	Nut, Hex, Lock, M8 X 1.25, NI, Ss	2
	23	1028292	(10000000- 20000000 )	Adapter, Mtg, Axle, Alm [T3]	2
	24	1225500	(JAN2020- 20000000 )	Bracket Wldt, Latch, Lift, PI [T300]	1
	24	1223078	(10778394- DEC2019 )	Bracket Wldt, Latch (Replaced By 1225500)	1
	24	1013946	(10000000- 10778393 )	Bracket, Locking, Pedal, Foot (Replaced By 9014788)	1
	25	01684	(10000000- 20000000 )	Washer, Flat, 0.27b 0.69d .05, Ss	2
	26	08712	(10000000- 20000000 )	Nut, Hex, Lock, M6 X 1.00, NI, Ss	2

▽ ASSEMBLY

▲ INCLUDED IN ASSEMBLY

FRAME GROUP, PUSH MODEL

355319



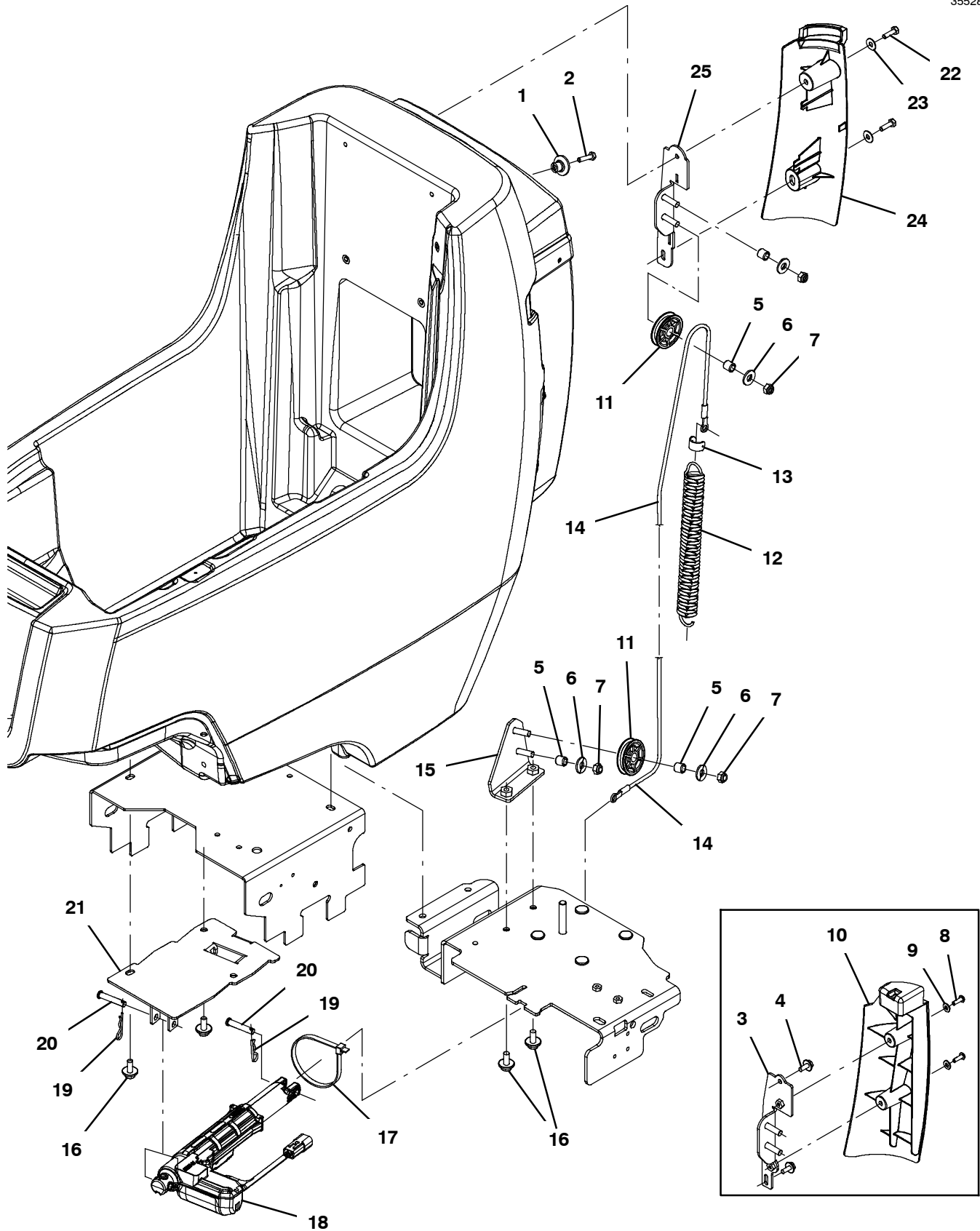


## FRAME GROUP, PUSH MODEL

Ref.	Part No.	Serial Number	Description	Qty.
1	1208498	(10000000- 20000000 )	Frame Wldt, Rear	1
2	1020341	(10000000- 20000000 )	Screw, Hex, M8 X 1.25 X 20, Ss, Sems	8
3	1210807	(10000000- 20000000 )	Wire, Tie [W/.25" Fir Tree Clip]	5
4	1215093	(10000000- 20000000 )	Spacer, Caster	1
5	1212422	(10000000- 20000000 )	Caster, Swivel [Wicke 224051]	1
6	01685	(10000000- 20000000 )	Washer, Flat, 0.38b 0.88d .08, Ss	5
7	08713	(10000000- 20000000 )	Nut, Hex, Lock, M8 X 1.25, NI, Ss	5
8	71579	(10000000- 20000000 )	Strap, Static, W/Grommet, .19 1.1w 25.0l	1
9	1013705	(10000000- 20000000 )	Plate, Thread, Switch, M3 Nut, 96hr PI	1
10	1215716	(10000000- 20000000 )	Switch, 0.1a, Spdt[Micro, Gold Contacts]	1
11	33933	(10000000- 20000000 )	Screw, Pan, Phl, M3 X 0.50 X 25, Ss	2
12	09011	(10000000- 20000000 )	Screw, Hex, M8 X 1.25 X 30, Ss	2
13	1234032	(10887017- 20000000 )	Frame Wldt, Front	1
13	1211968	(10000000- 10887016 )	Frame Wldt, Front	1
14	1020341	(10000000- 20000000 )	Screw, Hex, M8 X 1.25 X 20, Ss, Sems	2
15	1016331	(10000000- 20000000 )	Washer, Flat, 0.34b 1.25d .11, Ss	2
16	1223724	(10000000- 20000000 )	Wheel, Scrbr, 8.00d, W/ Brg	2
17	08713	(10000000- 20000000 )	Nut, Hex, Lock, M8 X 1.25, NI, Ss	2
18	1028292	(10000000- 20000000 )	Adapter, Mtg, Axle, Alm [T3]	2
19	1028381	(10000000- 20000000 )	Grommet, Axle [Tpu, T3 Push]	2
20	1028382	(10000000- 20000000 )	Axle, Wheel, Hex, Clr Zn [T3 Push]	1
21	1225500	(JAN2020- 20000000 )	Bracket Wldt, Latch, Lift, PI [T300]	1
21	1223078	(10778394- DEC2019 )	Bracket Wldt, Latch (Replaced By 1225500)	1
21	1013946	(10000000- 10778393 )	Bracket, Locking, Pedal, Foot (Replaced By 9014788)	1
22	01684	(10000000- 20000000 )	Washer, Flat, 0.27b 0.69d .05, Ss	2
23	08712	(10000000- 20000000 )	Nut, Hex, Lock, M6 X 1.00, NI, Ss	2

ACTUATED DOWN PRESSURE GROUP

355282

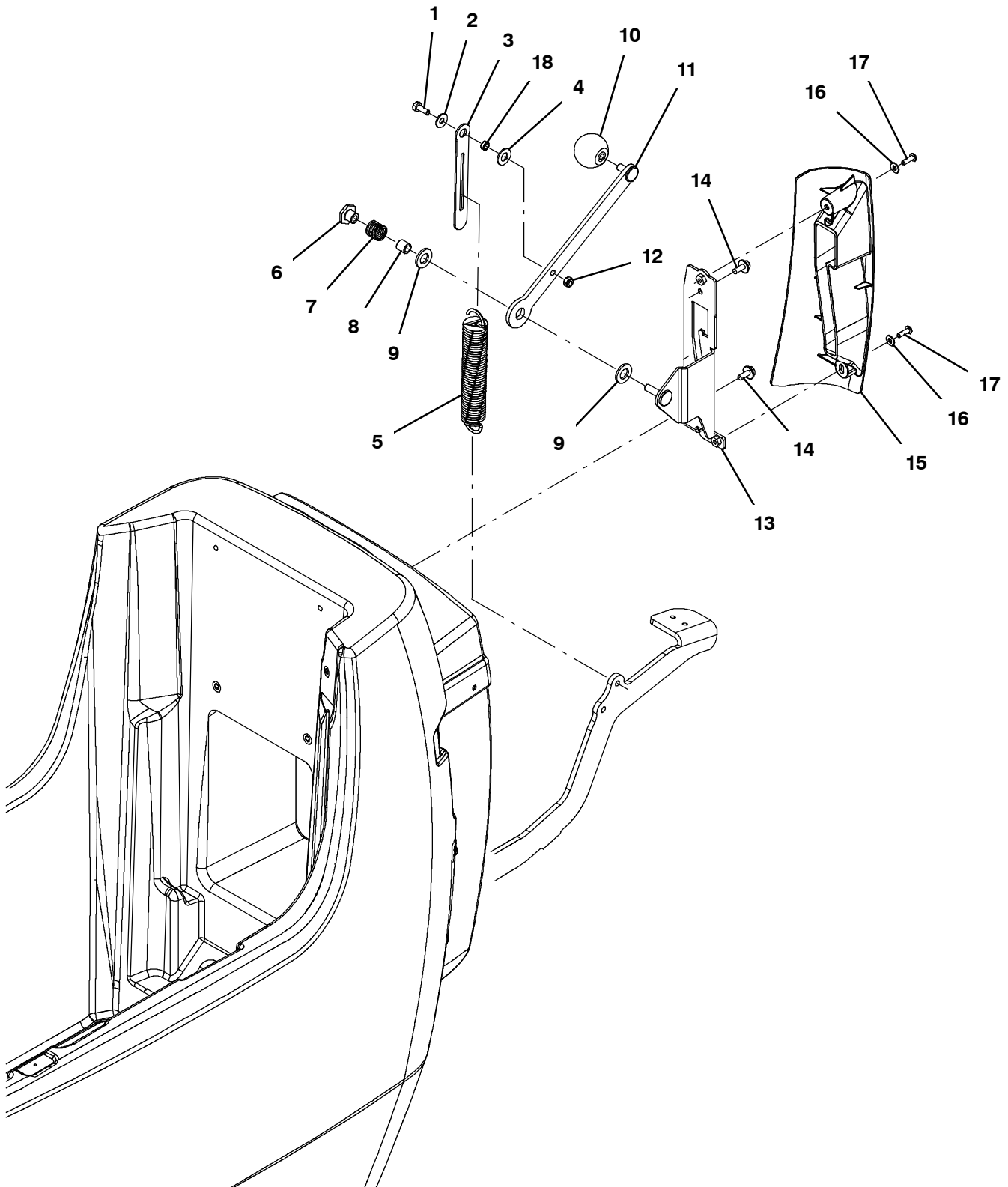


## ACTUATED DOWN PRESSURE GROUP

Ref.	Part No.	Serial Number	Description	Qty.
1	1214283	(10000000- 20000000 )	Guide, Cable	1
2	1016005	(10000000- 20000000 )	Screw, Hex, M6 X 1.00 X 25, NI, FI, Ss	1
3	1213998	(10000000- 10809548 )	Bracket Wldt, Mtg, Pulley, Down Press	1
4	1034731	(10000000- 10809548 )	Screw, Hex, M6 X 1.00 X 16, Sems, Ss	2
5	222460	(10000000- 20000000 )	Sleeve, P/M, 0.32b 0.50d 0.5l [430ss]	4
6	01685	(10000000- 20000000 )	Washer, Flat, 0.38b 0.88d .08, Ss	4
7	08713	(10000000- 20000000 )	Nut, Hex, Lock, M8 X 1.25, NI, Ss	4
8	1205799	(10000000- 10809548 )	Screw, Btn, M5 X 0.8 X 16, 8.8, NI, Torx	2
9	01683	(10000000- 10809548 )	Washer, Flat, 10, Ss	2
10	1212336	(10000000- 10809548 )	Cover, Pulley Assy, Down- Press	1
11	369781	(10000000- 20000000 )	Pulley, Cable, 1.5d Nyl	2
12	1216611	(10000000- 20000000 )	Spring, Extn, 1.14od, 0.13wir, 6.5l (Disk & Orbital Models)	1
12	1216677	(10000000- 20000000 )	Spring, Extn, 1.08od, 0.09wir, 6.5l (Cylindrical Model)	1
13	1218891	(10000000- 20000000 )	Retainer, Strip, Rubber	1
14	1214005	(10000000- 20000000 )	Cable, Down Press	1
15	1213986	(10000000- 20000000 )	Bracket Wldt, Mtg, Pulley, Down Press	1
16	1020341	(10000000- 20000000 )	Screw, Hex, M8 X 1.25 X 20, Ss, Sems	4
17	130773	(10000000- 20000000 )	Tie, Cable, Nyl, 11.0l, .14w, 3.0 Max. D	1
18	1213982	(10000000- 20000000 )	Actuator, 24vdc, 76.2 Strk, 500n	1
19	44906	(10000000- 20000000 )	Pin, Cotter, Hair, 0.38d .093 Wir	2
20	397249	(10000000- 20000000 )	Pin, Clevis, 0.31d X 1.62l	2
21	1214971	(10000000- 20000000 )	Actuator Wldt, Mtg	1
22	12277	(10809549- 20000000 )	Screw, Hex, M6 X 1.00 X 20, NI, Ss	2
23	01684	(10809549- 20000000 )	Washer, Flat, 0.27b 0.69d .05, Ss	2
24	1224289	(10809549- 20000000 )	Cover, Tank, Rh, [T300/E/Ss]	1
25	1224560	(10809549- 20000000 )	Bracket Wldt, Mtg, Pulley, Dnprs	1

MANUAL DOWN PRESSURE GROUP

355283



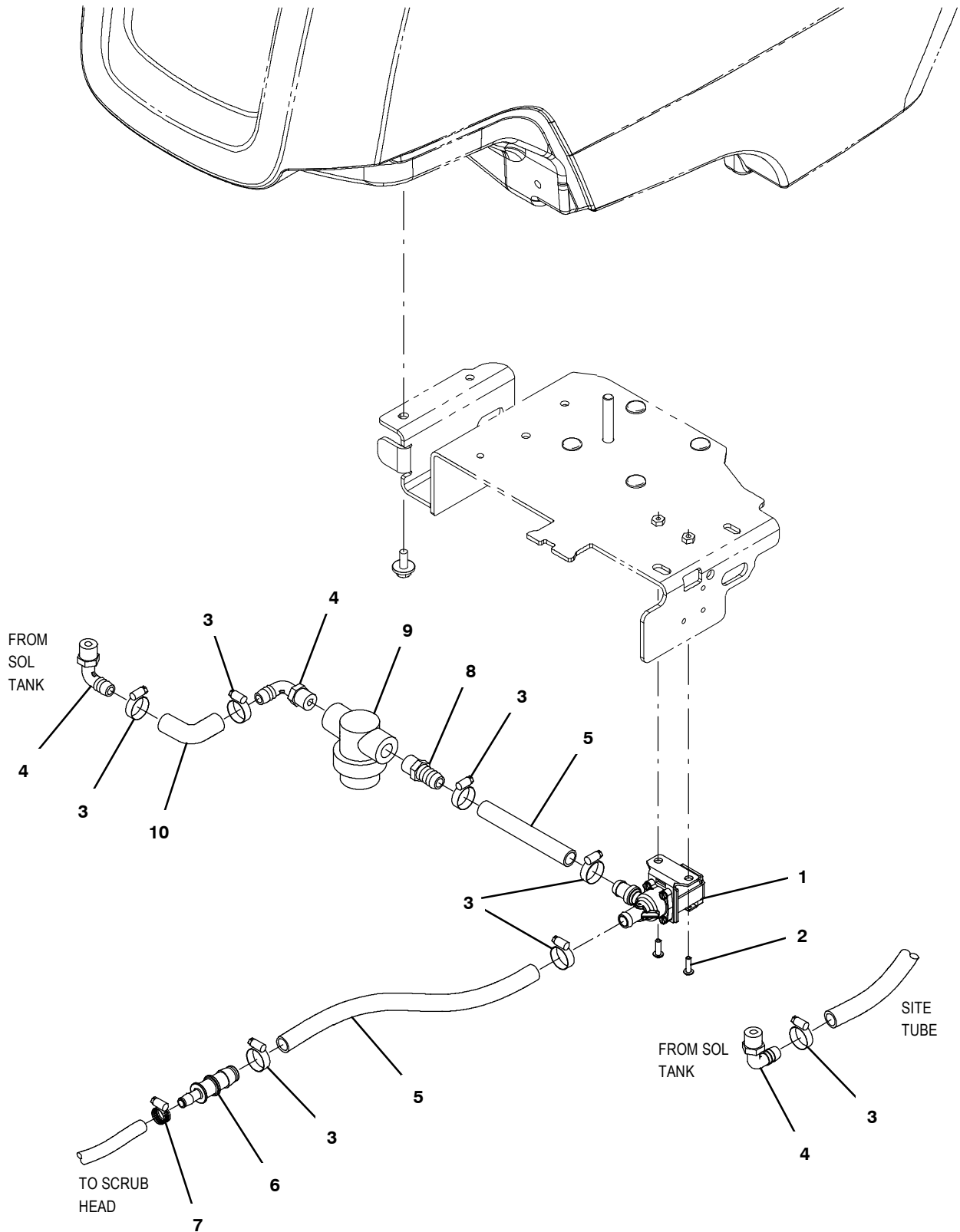
## MANUAL DOWN PRESSURE GROUP

Ref.	Part No.	Serial Number	Description	Qty.
1	11329	(10000000- 20000000 )	Screw, Hex, M6 X 1.00 X 16, NI, Ss	1
2	01684	(10000000- 20000000 )	Washer, Flat, 0.27b 0.69d .05, Ss	1
3	1213745	(10000000- 20000000 )	Plate, Link	1
4	20536	(10000000- 20000000 )	Washer, Flat, 0.45b 1.19d .06, Nyl	1
5	1216611	(10000000- 20000000 )	Spring, Extn, 1.14od, 0.13wir, 6.5l (Disk & Orbital Models)	1
5	1216677	(10000000- 20000000 )	Spring, Extn, 1.08od, 0.09wir, 6.5l (Cylindrical Model)	1
6	1018181	(10000000- 20000000 )	Nut, T, M8 X 1.25 X 0.50od X 0.4l	1
7	1018756	(10000000- 20000000 )	Spring, Cmpr, 0.70od .08wir 00.7l, Pl,Mw	1
8	222460	(10000000- 20000000 )	Sleeve, P/M, 0.32b 0.50d 0.5l [430ss]	1
9	1013936	(10000000- 20000000 )	Washer, Flat, 0.51b 0.94d .10, Nyl	2
10	1017156	(10000000- 20000000 )	Knob, Ball, M8 Insert, 40mmd, Plstc	1
11	1210591	(10000000- 20000000 )	Lever Wldt, Down Pressure, Mnl	1
12	08712	(10000000- 20000000 )	Nut, Hex, Lock, M6 X 1.00, NI, Ss	1
13	1210597	(10000000- 20000000 )	Bracket Wldt, Down Press, Mnl	1
14	1034731	(10000000- 20000000 )	Screw, Hex, M6 X 1.00 X 16, Sems, Ss	2
15	1209371	(10000000- 20000000 )	Cover, Lever Assy, Down- Press	1
16	01683	(10000000- 20000000 )	Washer, Flat, 10, Ss	2
17	1205799	(10000000- 20000000 )	Screw, Btn, M5 X 0.8 X 16, 8.8, NI, Torx	2
18	80491	(10000000- 20000000 )	Sleeve, P/M, 0.25b 0.38d 0.2l [430ss]	1

# STANDARD PARTS

## SOLUTION GROUP, STANDARD MODEL (S/N 11009738 - ) (NEW BARB CONNECTOR STYLE)

355832



SOLUTION GROUP, STANDARD MODEL (S/N 11009738 - )  
 (NEW BARB CONNECTOR STYLE)

Ref.	Part No.	Serial Number	Description	Qty.	
1	1214973	(10978370- 20000000 )	Valve, Water, Solenoid, 24vdc, Bm10/Bm10	1	
2	1205799	(10000000- 20000000 )	Screw, Btn, M5 X 0.8 X 16, 8.8, NI, Torx	2	
3	54333	(11009738- 20000000 )	Clamp, Hose, Wormdrive, 0.31- 0.88d, .31w	7	
4	64778	(10978370- 20000000 )	Fitting, Plstc, E90, Bm08/Pm06	3	
5	1035355	(10978370- 20000000 )	Hose, Afrmkt, Pvc, Clr, 0.62id, 02ft	1	
6	1243167	(10978370- 20000000 )	Fitting, Plstc, Str, Bm06/Bm10	1	
7	43844	(10978370- 20000000 )	Clamp, Hose, Wormdrive, 0.25- 0.62d, .31w	1	
8	1013900	(10978370- 20000000 )	Fitting, Plstc, Str, Bm10/Pm06, Nyl	1	
▽	9	1211537	(10000000- 20000000 )	Filter, In- Line, Pf06/Pf06 080m 2.6l Epd	1
▲		1218885	(10000000- 20000000 )	Gasket [Epdm, F/1211537]	1
▲		1218883	(10000000- 20000000 )	Screen, Fltr, 80 Mesh, Ss [W/ Cage]	1
▲		613991	(10000000- 20000000 )	Bowl, Clr, Short, F/1005302	1
10	1048278	(11009738- 20000000 )	Hose, Pvc, Clr, E90 0.63id 0.75od	1	

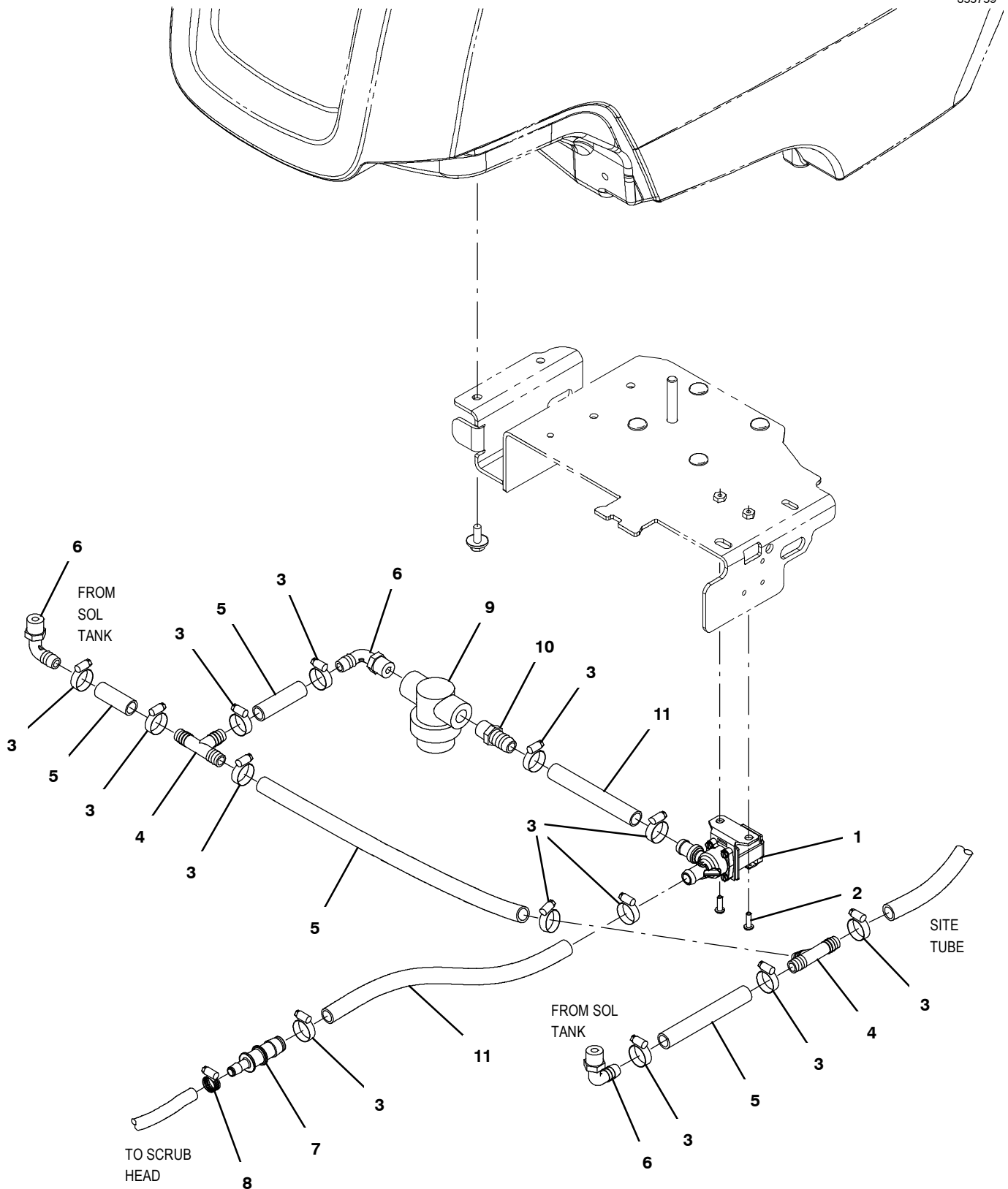
▽ ASSEMBLY

▲ INCLUDED IN ASSEMBLY

# STANDARD PARTS

## SOLUTION GROUP, STANDARD MODEL (S/N 10978370 - 11009737) (NEW BARB CONNECTOR STYLE)

355759





**SOLUTION GROUP, STANDARD MODEL (S/N 10978370 - 11009737)  
(NEW BARB CONNECTOR STYLE)**

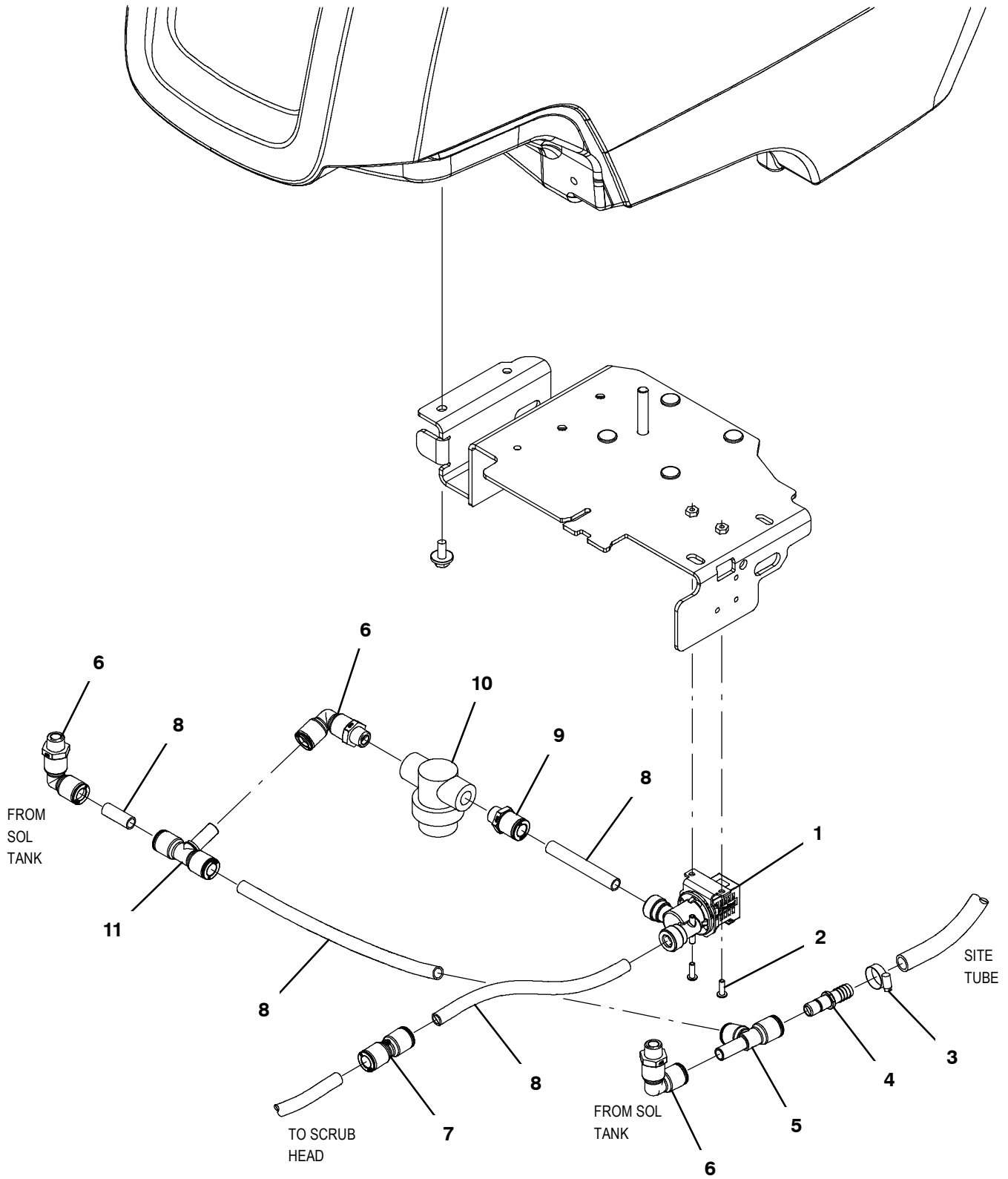
Ref.	Part No.	Serial Number	Description	Qty.	
1	1214973	(10978370- 20000000 )	Valve, Water, Solenoid, 24vdc, Bm10/Bm10	1	
2	1205799	(10000000- 20000000 )	Screw, Btn, M5 X 0.8 X 16, 8.8, NI, Torx	2	
3	54333	(10978370- 11009737 )	Clamp, Hose, Wormdrive, 0.31- 0.88d, .31w	13	
4	63245- 1	(10978370- 11009737 )	Fitting, Plstc, Tee, Bm08/Bm08/Bm08	2	
5	1015068	(10978370- 11009737 )	Hose, Afrmkt, Pvc, Clr, 0.50id, 03ft	1	
6	64778	(10978370- 20000000 )	Fitting, Plstc, E90, Bm08/Pm06	3	
7	1243167	(10978370- 20000000 )	Fitting, Plstc, Str, Bm06/Bm10	1	
8	43844	(10978370- 20000000 )	Clamp, Hose, Wormdrive, 0.25- 0.62d, .31w	1	
▽	9	1211537	(10000000- 20000000 )	Filter, In- Line, Pf06/Pf06 080m 2.6l Epd	1
▲		1218885	(10000000- 20000000 )	Gasket [Epdm, F/1211537]	1
▲		1218883	(10000000- 20000000 )	Screen, Fltr, 80 Mesh, Ss [W/ Cage]	1
▲		613991	(10000000- 20000000 )	Bowl, Clr, Short, F/1005302	1
10	1013900	(10978370- 20000000 )	Fitting, Plstc, Str, Bm10/Pm06, Nyl	1	
11	1035355	(10978370- 20000000 )	Hose, Afrmkt, Pvc, Clr, 0.62id, 02ft	1	

▽ ASSEMBLY

▲ INCLUDED IN ASSEMBLY

SOLUTION GROUP, STANDARD MODEL  
(ORIGINAL PUSH QUICK CONNECTOR STYLE)

355308



**SOLUTION GROUP, STANDARD MODEL  
(ORIGINAL PUSH QUICK CONNECTOR STYLE)**

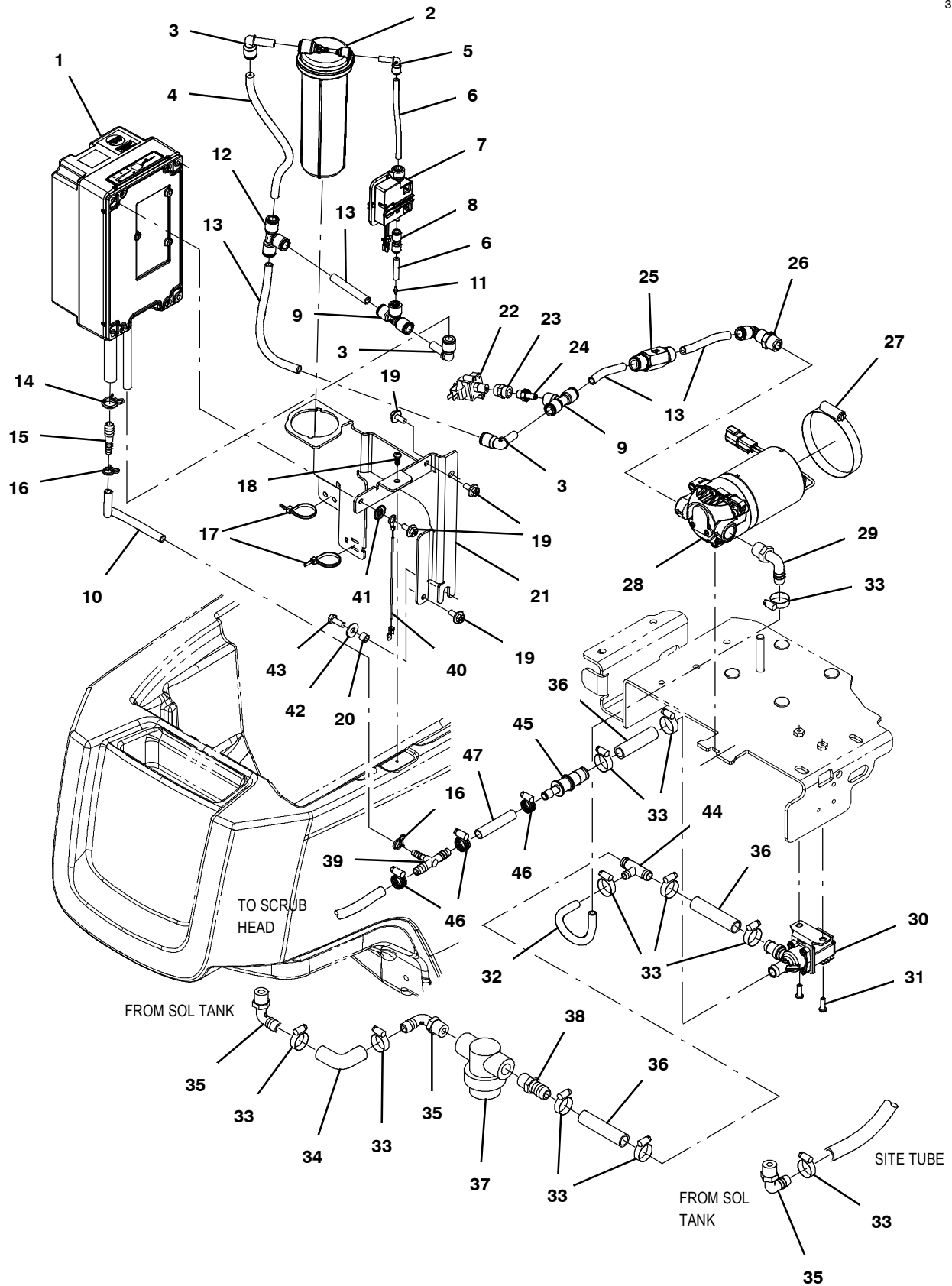
Ref.	Part No.	Serial Number	Description	Qty.	
1	1211424	(10000000- 10978369 )	Valve, Water, Solenoid, 24vdc Qf08/Qf08	1	
2	1205799	(10000000- 20000000 )	Screw, Btn, M5 X 0.8 X 16, 8.8, NI, Torx	2	
3	54333	(10000000- 10978369 )	Clamp, Hose, Wormdrive, 0.31- 0.88d, .31w	1	
4	1212807	(10000000- 10978369 )	Fitting, Plstc, Str, Qm08/Bm08	1	
5	1212806	(10000000- 10978369 )	Fitting, Plstc, Tee, Qf08/Qf08/Qm08	1	
6	1212987	(10000000- 10978369 )	Fitting, Plstc, E90, Qf08/Pm06, Swivel	3	
7	1212859	(10000000- 10978369 )	Fitting, Plstc, Str, Qf08/Qf08	1	
8	9014145	(10000000- 10978369 )	Hose, Afrmkt, Pe, .375id .50od, 05ft	1	
9	1212813	(10000000- 10978369 )	Fitting, Plstc, Str, Qf08/Pm06	1	
▽	10	1211537	(10000000- 20000000 )	Filter, In- Line, Pf06/Pf06 080m 2.6l Epd	1
▲		1218885	(10000000- 20000000 )	Gasket [Epdm, F/1211537]	1
▲		1218883	(10000000- 20000000 )	Screen, Fltr, 80 Mesh, Ss [W/ Cage]	1
▲		613991	(10000000- 20000000 )	Bowl, Clr, Short, F/1005302	1
11	1212810	(10000000- 10978369 )	Fitting, Plstc, Tee, Qm08/Qf08/Qf08	1	

▽ ASSEMBLY

▲ INCLUDED IN ASSEMBLY

SOLUTION GROUP, STANDARD MODEL ec- H20 (S/N 11009738 - )  
 (NEW BARB CONNECTOR STYLE)

355834



**SOLUTION GROUP, STANDARD MODEL ec- H20 (S/N 11009738 - )**  
**(NEW BARB CONNECTOR STYLE)**

Ref.	Part No.	Serial Number	Description	Qty.
▽	1	9020643	(10998111- 20000000 ) Module Kit, Replmt [Ec- H2o, B 02] (See Breakdowns)	1
▲	2	9013646	(10000000- 20000000 ) Cartridge, Ec- H2o Nanoclean Wcm, 270ml	1
	3	1215186	(10000000- 20000000 ) Fitting, Plstc, E90, Qf06/Qm06	3
	4	9014146	(10000000- 20000000 ) Hose, Afrmkt, Pvc, 0.06id .38od, 05ft	1
	5	1214339	(10000000- 20000000 ) Fitting, Plstc, E90, Qfo4/Qm04	1
	6	9014147	(10000000- 20000000 ) Hose, Afrmkt, Pvc, 0.06id .25od, 05ft	1
	7	1216973	(10000000- 20000000 ) Pump Assy, Dispenser	1
	8	1218192	(10000000- 20000000 ) Fitting, Plstc, Str, Qf04/Qf04	1
	9	1212855	(10000000- 20000000 ) Fitting, Plstc, Tee, Qf04/Qf06/Qf06	2
	10	1006415	(10000000- 20000000 ) Hose, Afrmkt, Pvc, Clr, 0.25id, 03ft	1
	11	1214972	(10000000- 20000000 ) Fitting, Orifice, Str, Bm01/Bm01	1
	12	1212573	(10000000- 20000000 ) Fitting, Plstc, Tee, Qf06/Qf06/Qf06	1
	13	9014148	(10000000- 20000000 ) Hose, Afrmkt, Nat, 0.25id 0.375od, 06ft	1
	14	607775	(10000000- 20000000 ) Clamp, Hose, Wir, .63 - .66, Blk	8
	15	1039557	(10000000- 20000000 ) Fitting, Plstc, Str, Bm04/Bm06	1
	16	613735	(10000000- 20000000 ) Clamp, Hose, Wir, .40 - .42, Yel	2
	17	130773	(10000000- 20000000 ) Tie, Cable, Nyl, 11.0l, .14w, 3.0 Max. D	2
	18	1018155	(10000000- 20000000 ) Screw, Pan, Phl, M5 X 0.80 X 16, Tcut, Ss	1
	19	1034731	(10000000- 20000000 ) Screw, Hex, M6 X 1.00 X 16, Sems, Ss	5
	20	140154	(10000000- 20000000 ) Sleeve, P/M, 0.25b 0.38d 0.3l, PI	1
	21	1209249	(10000000- 20000000 ) Bracket, Mtg, Ec- H20 Module [T300]	1
	22	1044335	(10000000- 20000000 ) Switch, Press, 6psi, Pm02	1
	23	150307	(10000000- 20000000 ) Fitting, Brs, Str, Pf02/Pf02, Cplg	1
	24	1216185	(10000000- 20000000 ) Fitting, Plstc, Str, Qm04/Pm02	1
	25	1215527	(10000000- 20000000 ) Valve, Check, 1.0 Psi Qf06/Qf06	1
	26	1212812	(10000000- 20000000 ) Fitting, Plstc, E90, Qf06/Pm06, Swivel	1
	27	43555	(10000000- 20000000 ) Clamp, Hose, Wormdrive, 2.62- 3.50d	1
	28	1210517	(10000000- 20000000 ) Pump, Soltn, Ele, 24vdc, 35 Psi	1
	29	64778	(10978370- 20000000 ) Fitting, Plstc, E90, Bm08/Pm06	1
	30	1214973	(10978370- 20000000 ) Valve, Water, Solenoid, 24vdc, Bm10/Bm10	1
	31	1205799	(10000000- 20000000 ) Screw, Btn, M5 X 0.8 X 16, 8.8, NI, Torx	2
	32	1015068	(10978370- 20000000 ) Hose, Afrmkt, Pvc, Clr, 0.50id, 03ft	1
	33	54333	(11009738- 20000000 ) Clamp, Hose, Wormdrive, 0.31- 0.88d, .31w	10
	34	1048278	(11009738- 20000000 ) Hose, Pvc, Clr, E90 0.63id 0.75od	1
	35	64778	(10978370- 20000000 ) Fitting, Plstc, E90, Bm08/Pm06	3
	36	1035355	(10978370- 20000000 ) Hose, Afrmkt, Pvc, Clr, 0.62id, 02ft	1
▽	37	1211537	(10000000- 20000000 ) Filter, In- Line, Pf06/Pf06 080m 2.6l Epd	1
▲		1218885	(10000000- 20000000 ) Gasket [Epdm, F/1211537]	1
▲		1218883	(10000000- 20000000 ) Screen, Fltr, 80 Mesh, Ss [W/ Cage]	1
▲		613991	(10000000- 20000000 ) Bowl, Clr, Short, F/1005302	1
	38	1013900	(10978370- 20000000 ) Fitting, Plstc, Str, Bm10/Pm06, Nyl	1
	39	50895	(10978370- 20000000 ) Fitting, Plstc, Tee, Bm04/Bm06/Bm06, Br	1
	40	1074344	(10000000- 20000000 ) Harness, Ele [Ring With .250m Tail]	1
	41	41140	(10000000- 20000000 ) Washer, Lock, Int- Ext, 0.25	1
	42	01684	(10000000- 20000000 ) Washer, Flat, 0.27b 0.69d .05, Ss	1
	43	12277	(10000000- 20000000 ) Screw, Hex, M6 X 1.00 X 20, NI, Ss	1
	44	1015486	(10978370- 20000000 ) Fitting, Plstc, Tee, Bm08/Bm10/Bm10, Br	1
	45	1243167	(10978370- 20000000 ) Fitting, Plstc, Str, Bm06/Bm10	1
	46	43844	(10978370- 20000000 ) Clamp, Hose, Wormdrive, 0.25- 0.62d, .31w	3
	47	1014929	(10978370- 20000000 ) Hose, Afrmkt, Pvc, Clr, 0.38id, 01ft	1

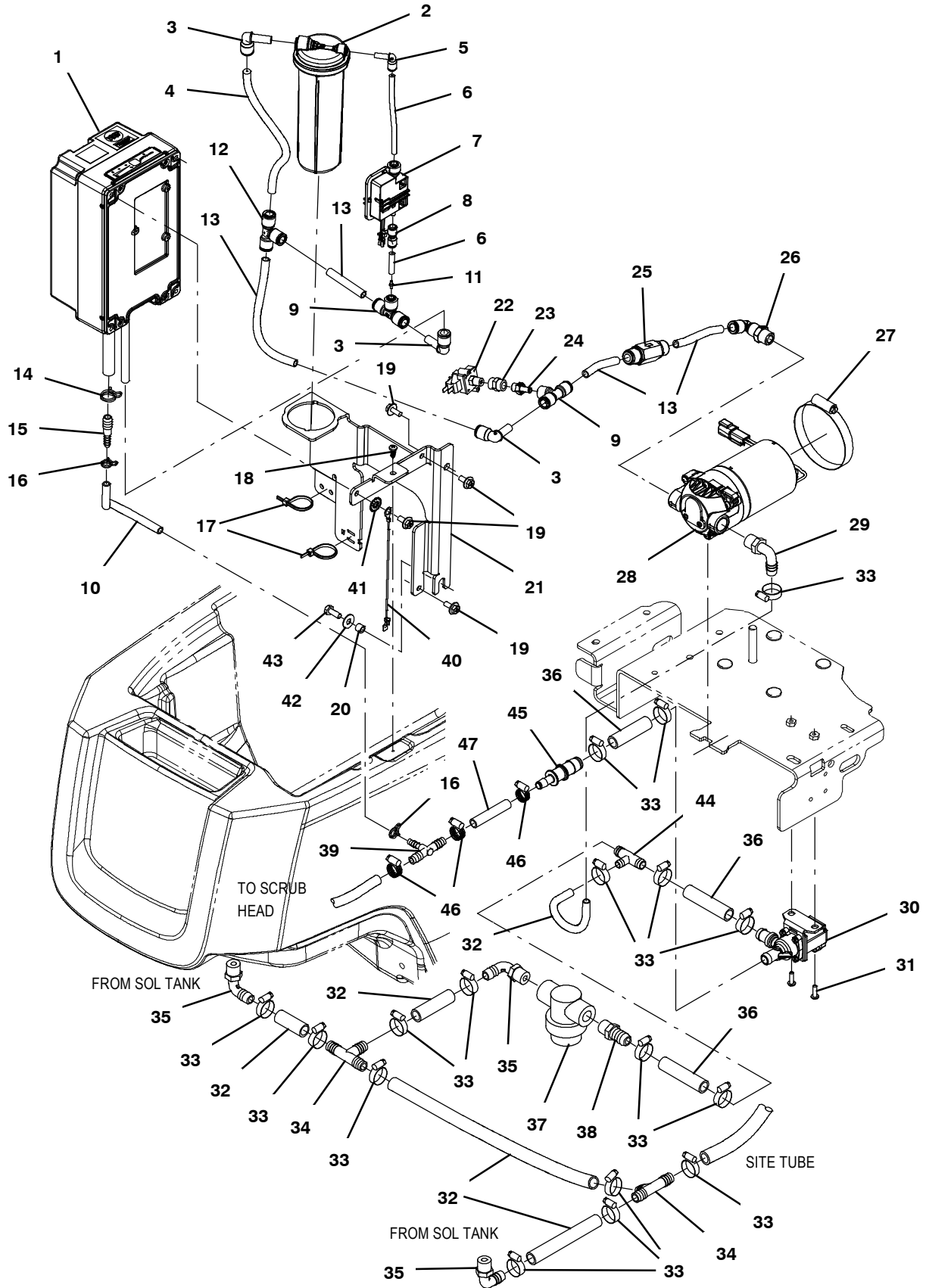
▽ ASSEMBLY

▲ INCLUDED IN ASSEMBLY

# STANDARD PARTS

## SOLUTION GROUP, STANDARD MODEL ec-H20 (S/N 10978370 - 11009737) (NEW BARB CONNECTOR STYLE)

355761

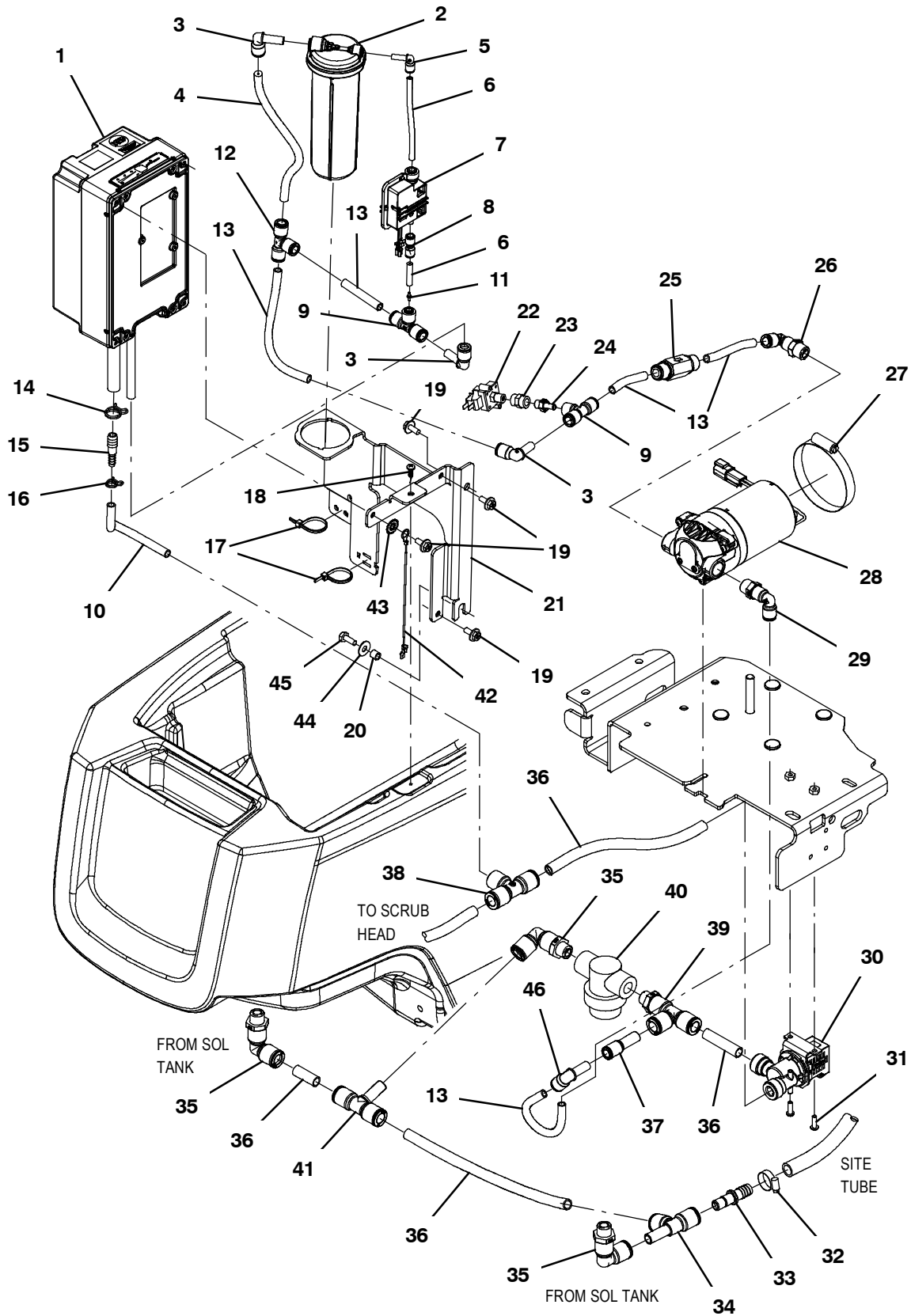


**SOLUTION GROUP, STANDARD MODEL ec-H20 (S/N 10978370 - 11009737)  
(NEW BARB CONNECTOR STYLE)**

Ref.	Part No.	Serial Number	Description	Qty.
▽	1	9020643	(10998111- 20000000 ) Module Kit, Replmt [Ec- H2o, B 02] (See Breakdowns)	1
▽	1	9011810	(10000000- 10998110 ) Module Kit, Replmt [Ec- H2o, B 02] (See Breakdowns) (Replaced By 9020643)	1
▲	2	9013646	(10000000- 20000000 ) Cartridge, Ec- H2o Nanoclean Wcm, 270ml	1
	3	1215186	(10000000- 20000000 ) Fitting, Plstc, E90, Qf06/Qm06	3
	4	9014146	(10000000- 20000000 ) Hose, Afmkt, Pvc, 0.06id .38od, 05ft	1
	5	1214339	(10000000- 20000000 ) Fitting, Plstc, E90, Qfo4/Qm04	1
	6	9014147	(10000000- 20000000 ) Hose, Afmkt, Pvc, 0.06id .25od, 05ft	1
	7	1216973	(10000000- 20000000 ) Pump Assy, Dispenser	1
	8	1218192	(10000000- 20000000 ) Fitting, Plstc, Str, Qf04/Qf04	1
	9	1212855	(10000000- 20000000 ) Fitting, Plstc, Tee, Qf04/Qf06/Qf06	2
	10	1006415	(10000000- 20000000 ) Hose, Afmkt, Pvc, Clr, 0.25id, 03ft	1
	11	1214972	(10000000- 20000000 ) Fitting, Orifice, Str, Bm01/Bm01	1
	12	1212573	(10000000- 20000000 ) Fitting, Plstc, Tee, Qf06/Qf06/Qf06	1
	13	9014148	(10000000- 20000000 ) Hose, Afmkt, Nat, 0.25id 0.375od, 06ft	1
	14	607775	(10000000- 20000000 ) Clamp, Hose, Wir, .63 - .66, Blk	8
	15	1039557	(10000000- 20000000 ) Fitting, Plstc, Str, Bm04/Bm06	1
	16	613735	(10000000- 20000000 ) Clamp, Hose, Wir, .40 - .42, Yel	2
	17	130773	(10000000- 20000000 ) Tie, Cable, Nyl, 11.0l, .14w, 3.0 Max. D	2
	18	1018155	(10000000- 20000000 ) Screw, Pan, Phl, M5 X 0.80 X 16, Tcut, Ss	1
	19	1034731	(10000000- 20000000 ) Screw, Hex, M6 X 1.00 X 16, Sems, Ss	5
	20	140154	(10000000- 20000000 ) Sleeve, P/M, 0.25b 0.38d 0.3l, PI	1
	21	1209249	(10000000- 20000000 ) Bracket, Mtg, Ec- H20 Module [T300]	1
	22	1044335	(10000000- 20000000 ) Switch, Press, 6psi, Pm02	1
	23	150307	(10000000- 20000000 ) Fitting, Brs, Str, Pf02/Pf02, Cplg	1
	24	1216185	(10000000- 20000000 ) Fitting, Plstc, Str, Qm04/Pm02	1
	25	1215527	(10000000- 20000000 ) Valve, Check, 1.0 Psi Qf06/Qf06	1
	26	1212812	(10000000- 20000000 ) Fitting, Plstc, E90, Qf06/Pm06, Swivel	1
	27	43555	(10000000- 20000000 ) Clamp, Hose, Wormdrive, 2.62- 3.50d	1
	28	1210517	(10000000- 20000000 ) Pump, Soltn, Ele, 24vdc, 35 Psi	1
	29	64778	(10978370- 20000000 ) Fitting, Plstc, E90, Bm08/Pm06	1
	30	1214973	(10978370- 20000000 ) Valve, Water, Solenoid, 24vdc, Bm10/Bm10	1
	31	1205799	(10000000- 20000000 ) Screw, Btn, M5 X 0.8 X 16, 8.8, NI, Torx	2
	32	1015068	(10978370- 20000000 ) Hose, Afmkt, Pvc, Clr, 0.50id, 03ft	1
	33	54333	(10978370- 11009737 ) Clamp, Hose, Wormdrive, 0.31- 0.88d, .31w	16
	34	63245- 1	(10978370- 11009737 ) Fitting, Plstc, Tee, Bm08/Bm08/Bm08	2
	35	64778	(10978370- 20000000 ) Fitting, Plstc, E90, Bm08/Pm06	3
	36	1035355	(10978370- 20000000 ) Hose, Afmkt, Pvc, Clr, 0.62id, 02ft	1
▽	37	1211537	(10000000- 20000000 ) Filter, In- Line, Pf06/Pf06 080m 2.6l Epd	1
▲		1218885	(10000000- 20000000 ) Gasket [Epdm, F/1211537]	1
▲		1218883	(10000000- 20000000 ) Screen, Fltr, 80 Mesh, Ss [W/ Cage]	1
▲		613991	(10000000- 20000000 ) Bowl, Clr, Short, F/1005302	1
	38	1013900	(10978370- 20000000 ) Fitting, Plstc, Str, Bm10/Pm06, Nyl	1
	39	50895	(10978370- 20000000 ) Fitting, Plstc, Tee, Bm04/Bm06/Bm06, Br	1
	40	1074344	(10000000- 20000000 ) Harness, Ele [Ring With .250m Tail]	1
	41	41140	(10000000- 20000000 ) Washer, Lock, Int- Ext, 0.25	1
	42	01684	(10000000- 20000000 ) Washer, Flat, 0.27b 0.69d .05, Ss	1
	43	12277	(10000000- 20000000 ) Screw, Hex, M6 X 1.00 X 20, NI, Ss	1
	44	1015486	(10978370- 20000000 ) Fitting, Plstc, Tee, Bm08/Bm10/Bm10, Br	1
	45	1243167	(10978370- 20000000 ) Fitting, Plstc, Str, Bm06/Bm10	1
	46	43844	(10978370- 20000000 ) Clamp, Hose, Wormdrive, 0.25- 0.62d, .31w	3
	47	1014929	(10978370- 20000000 ) Hose, Afmkt, Pvc, Clr, 0.38id, 01ft	1

SOLUTION GROUP, STANDARD MODEL ec-H20  
(ORIGINAL PUSH QUICK CONNECTOR STYLE)

355310





**SOLUTION GROUP, STANDARD MODEL ec- H2O  
(ORIGINAL PUSH QUICK CONNECTOR STYLE)**

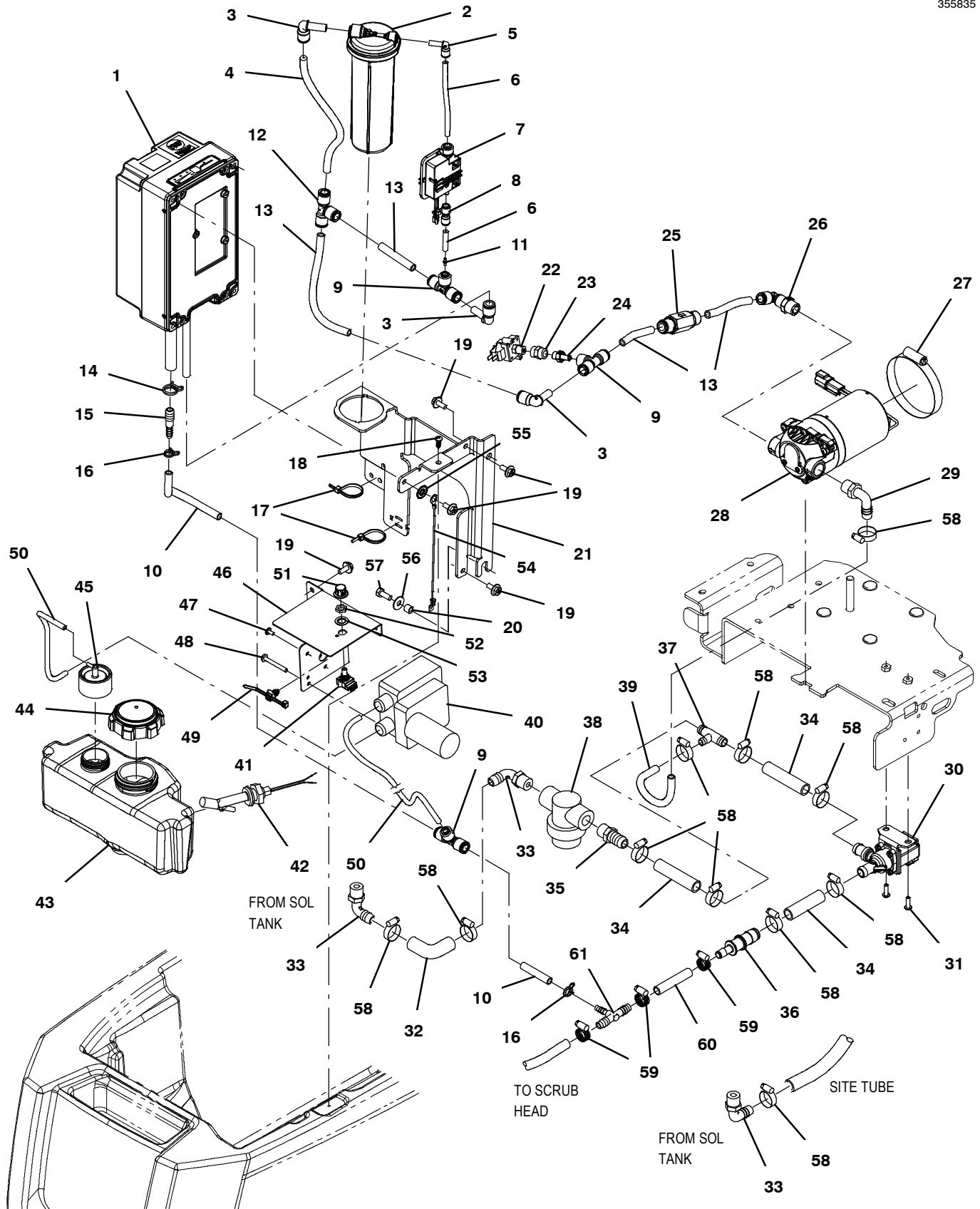
Ref.	Part No.	Serial Number	Description	Qty.
▽	1	9011810	(10000000- 10998110 ) Module Kit, Replmt [Ec- H2o, B 02] (See Breakdowns) (Replaced By 9020643)	1
▲	2	9013646	(10000000- 20000000 ) Cartridge, Ec- H2o Nanoclean Wcm, 270ml	1
	3	1215186	(10000000- 20000000 ) Fitting, Plstc, E90, Qf06/Qm06	3
	4	9014146	(10000000- 20000000 ) Hose, Afmkt, Pvc, 0.06id .38od, 05ft	1
	5	1214339	(10000000- 20000000 ) Fitting, Plstc, E90, Qfo4/Qm04	1
	6	9014147	(10000000- 20000000 ) Hose, Afmkt, Pvc, 0.06id .25od, 05ft	1
	7	1216973	(10000000- 20000000 ) Pump Assy, Dispenser	1
	8	1218192	(10000000- 20000000 ) Fitting, Plstc, Str, Qf04/Qf04	1
	9	1212855	(10000000- 20000000 ) Fitting, Plstc, Tee, Qf04/Qf06/Qf06	2
	10	1006415	(10000000- 20000000 ) Hose, Afmkt, Pvc, Clr, 0.25id, 03ft	1
	11	1214972	(10000000- 20000000 ) Fitting, Orifice, Str, Bm01/Bm01	1
	12	1212573	(10000000- 20000000 ) Fitting, Plstc, Tee, Qf06/Qf06/Qf06	1
	13	9014148	(10000000- 20000000 ) Hose, Afmkt, Nat, 0.25id 0.375od, 06ft	1
	14	607775	(10000000- 20000000 ) Clamp, Hose, Wir, .63 - .66, Blk	1
	15	1039557	(10000000- 20000000 ) Fitting, Plstc, Str, Bm04/Bm06	1
	16	613735	(10000000- 20000000 ) Clamp, Hose, Wir, .40 - .42, Yel	1
	17	130773	(10000000- 20000000 ) Tie, Cable, Nyl, 11.0l, .14w, 3.0 Max. D	2
	18	1018155	(10000000- 20000000 ) Screw, Pan, Phl, M5 X 0.80 X 16, Tcut, Ss	1
	19	1034731	(10000000- 20000000 ) Screw, Hex, M6 X 1.00 X 16, Sems, Ss	5
	20	140154	(10000000- 20000000 ) Sleeve, P/M, 0.25b 0.38d 0.3l, PI	1
	21	1209249	(10000000- 20000000 ) Bracket, Mtg, Ec- H2O Module [T300]	1
	22	1044335	(10000000- 20000000 ) Switch, Press, 6psi, Pm02	1
	23	150307	(10000000- 20000000 ) Fitting, Brs, Str, Pf02/Pf02, Cplg	1
	24	1216185	(10000000- 20000000 ) Fitting, Plstc, Str, Qm04/Pm02	1
	25	1215527	(10000000- 20000000 ) Valve, Check, 1.0 Psi Qf06/Qf06	1
	26	1212812	(10000000- 20000000 ) Fitting, Plstc, E90, Qf06/Pm06, Swivel	1
	27	43555	(10000000- 20000000 ) Clamp, Hose, Wormdrive, 2.62- 3.50d	1
	28	1210517	(10000000- 20000000 ) Pump, Soltn, Ele, 24vdc, 35 Psi	1
	29	1212812	(10000000- 20000000 ) Fitting, Plstc, E90, Qf06/Pm06, Swivel	1
	30	1211424	(10000000- 10978369 ) Valve, Water, Solenoid, 24vdc Qf08/Qf08	1
	31	1205799	(10000000- 20000000 ) Screw, Btn, M5 X 0.8 X 16, 8.8, NI, Torx	2
	32	54333	(10000000- 10978369 ) Clamp, Hose, Wormdrive, 0.31- 0.88d, .31w	1
	33	1212807	(10000000- 10978369 ) Fitting, Plstc, Str, Qm08/Bm08	1
	34	1212806	(10000000- 10978369 ) Fitting, Plstc, Tee, Qf08/Qf08/Qm08	1
	35	1212987	(10000000- 10978369 ) Fitting, Plstc, E90, Qf08/Pm06, Swivel	3
	36	9014145	(10000000- 10978369 ) Hose, Afmkt, Pe, .375id .50od, 05ft	1
	37	1215218	(10000000- 10978369 ) Fitting, Plstc, Str, Qf06/Qm08	1
	38	1212875	(10000000- 10978369 ) Fitting, Plstc, Tee, Qf06/Qf08/Qf08	1
	39	1212808	(10000000- 10978369 ) Fitting, Plstc, Tee, Qf08/Qf08/Pm06	1
▽	40	1211537	(10000000- 20000000 ) Filter, In- Line, Pf06/Pf06 080m 2.6l Epd	1
▲		1218885	(10000000- 20000000 ) Gasket [Epdm, F/1211537]	1
▲		1218883	(10000000- 20000000 ) Screen, Fltr, 80 Mesh, Ss [W/ Cage]	1
▲		613991	(10000000- 20000000 ) Bowl, Clr, Short, F/1005302	1
	41	1212810	(10000000- 10978369 ) Fitting, Plstc, Tee, Qm08/Qf08/Qf08	1
	42	1074344	(10000000- 20000000 ) Harness, Ele [Ring With .250m Tail]	1
	43	41140	(10000000- 20000000 ) Washer, Lock, Int- Ext, 0.25	1
	44	01684	(10000000- 20000000 ) Washer, Flat, 0.27b 0.69d .05, Ss	1
	45	12277	(10000000- 20000000 ) Screw, Hex, M6 X 1.00 X 20, NI, Ss	1
	46	1215186	(10890202- 10978369 ) Fitting, Plstc, E90, Qf06/Qm06	1

▽ ASSEMBLY

▲ INCLUDED IN ASSEMBLY

SOLUTION GROUP, STANDARD MODEL ec- H20 & SEVERE ENVIRONMENT  
(S/N 11009738 - ) (NEW BARB CONNECTOR STYLE)

355835



**SOLUTION GROUP, STANDARD MODEL ec- H2O & SEVERE ENVIRONMENT  
(S/N 11009738 - ) (NEW BARB CONNECTOR STYLE)**

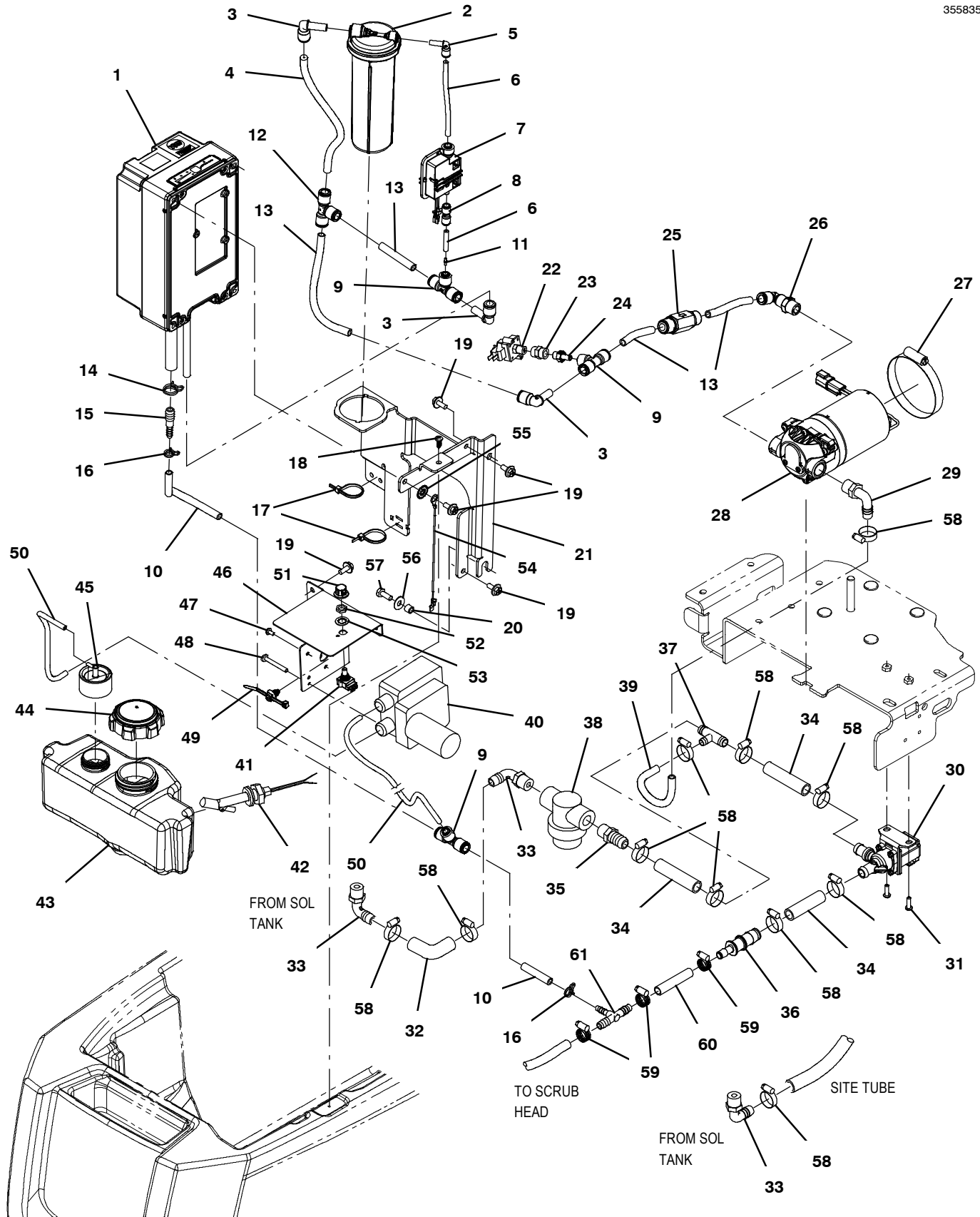
Ref.	Part No.	Serial Number	Description	Qty.
▽	1	9020643	(10998111- 20000000 ) Module Kit, Replmt [Ec- H2o, B 02] (See Breakdowns)	1
▲	2	9013646	(10000000- 20000000 ) Cartridge, Ec- H2o Nanoclean Wcm, 270ml	1
	3	1215186	(10000000- 20000000 ) Fitting, Plstc, E90, Qf06/Qm06	1
	4	9014146	(10000000- 20000000 ) Hose, Afmkt, Pvc, 0.06id .38od, 05ft	1
	5	1214339	(10000000- 20000000 ) Fitting, Plstc, E90, Qfo4/Qm04	1
	6	9014147	(10000000- 20000000 ) Hose, Afmkt, Pvc, 0.06id .25od, 05ft	1
	7	1216973	(10000000- 20000000 ) Pump Assy, Dispenser	1
	8	1218192	(10000000- 20000000 ) Fitting, Plstc, Str, Qf04/Qf04	1
	9	1212855	(10000000- 20000000 ) Fitting, Plstc, Tee, Qf04/Qf06/Qf06	3
	10	1006415	(10000000- 20000000 ) Hose, Afmkt, Pvc, Clr, 0.25id, 03ft	1
	11	1214972	(10000000- 20000000 ) Fitting, Orifice, Str, Bm01/Bm01	1
	12	1212573	(10000000- 20000000 ) Fitting, Plstc, Tee, Qf06/Qf06/Qf06	1
	13	9014148	(10000000- 20000000 ) Hose, Afmkt, Nat, 0.25id 0.375od, 06ft	1
	14	607775	(10000000- 20000000 ) Clamp, Hose, Wir, .63 - .66, Blk	8
	15	1039557	(10000000- 20000000 ) Fitting, Plstc, Str, Bm04/Bm06	1
	16	613735	(10000000- 20000000 ) Clamp, Hose, Wir, .40 - .42, Yel	2
	17	130773	(10000000- 20000000 ) Tie, Cable, Nyl, 11.0l, .14w, 3.0 Max. D	2
	18	1018155	(10000000- 20000000 ) Screw, Pan, Phl, M5 X 0.80 X 16, Tcut, Ss	1
	19	1034731	(10000000- 20000000 ) Screw, Hex, M6 X 1.00 X 16, Sems, Ss	7
	20	140154	(10000000- 20000000 ) Sleeve, P/M, 0.25b 0.38d 0.3l, PI	1
	21	1209249	(10000000- 20000000 ) Bracket, Mtg, Ec- H2O Module [T300]	1
	22	1044335	(10000000- 20000000 ) Switch, Press, 6psi, Pm02	1
	23	150307	(10000000- 20000000 ) Fitting, Brs, Str, Pf02/Pf02, Cplg	1
	24	1216185	(10000000- 20000000 ) Fitting, Plstc, Str, Qm04/Pm02	1
	25	1215527	(10000000- 20000000 ) Valve, Check, 1.0 Psi Qf06/Qf06	1
	26	1212812	(10000000- 20000000 ) Fitting, Plstc, E90, Qf06/Pm06, Swivel	1
	27	43555	(10000000- 20000000 ) Clamp, Hose, Wormdrive, 2.62- 3.50d	1
	28	1210517	(10000000- 20000000 ) Pump, Soltn, Ele, 24vdc, 35 Psi	1
	29	150412	(10978370- 20000000 ) Fitting, Plstc, E90, Bm06/Pm06	1
	30	1214973	(10978370- 20000000 ) Valve, Water, Solenoid, 24vdc, Bm10/Bm10	1
	31	1205799	(10000000- 20000000 ) Screw, Btn, M5 X 0.8 X 16, 8.8, NI, Torx	2
	32	1048278	(11009738- 20000000 ) Hose, Pvc, Clr, E90 0.63id 0.75od	1
	33	64778	(10978370- 20000000 ) Fitting, Plstc, E90, Bm08/Pm06	3
	34	1035355	(10978370- 20000000 ) Hose, Afmkt, Pvc, Clr, 0.62id, 02ft	1
	35	1013900	(10978370- 20000000 ) Fitting, Plstc, Str, Bm10/Pm06, Nyl	1
	36	1243167	(10978370- 20000000 ) Fitting, Plstc, Str, Bm06/Bm10	1
	37	160310	(10978370- 20000000 ) Fitting, Plstc, Tee, Bm06/Bm06/Bm06	1
▽	38	1211537	(10000000- 20000000 ) Filter, In- Line, Pf06/Pf06 080m 2.6l Epd	1
▲		1218885	(10000000- 20000000 ) Gasket [Epdm, F/1211537]	1
▲		1218883	(10000000- 20000000 ) Screen, Fltr, 80 Mesh, Ss [W/ Cage]	1
▲		613991	(10000000- 20000000 ) Bowl, Clr, Short, F/1005302	1
	39	1015068	(10978370- 20000000 ) Hose, Afmkt, Pvc, Clr, 0.50id, 03ft	1
▽	40	1215698	(10000000- 20000000 ) Pump Assy, Detgt, 24 Vdc [T300]	1
▲		1208721	(10000000- 20000000 ) Pump, Detgt, 24vdc, 120rpm	1
▲		1219077	(10000000- 20000000 ) Hose Kit, Detgt [0.5cc]	1
▲	41	1211775	(10000000- 20000000 ) Potentiometer [5k, W/Leads And Conn.]	1

▽ ASSEMBLY

▲ INCLUDED IN ASSEMBLY

SOLUTION GROUP, STANDARD MODEL ec-H20 & SEVERE ENVIRONMENT - CONT'D  
(S/N 11009738 - ) (NEW BARB CONNECTOR STYLE)

355835



**SOLUTION GROUP, STANDARD MODEL ec- H20 & SEVERE ENVIRONMENT - CONT'D  
(S/N 11009738 - ) (NEW BARB CONNECTOR STYLE)**

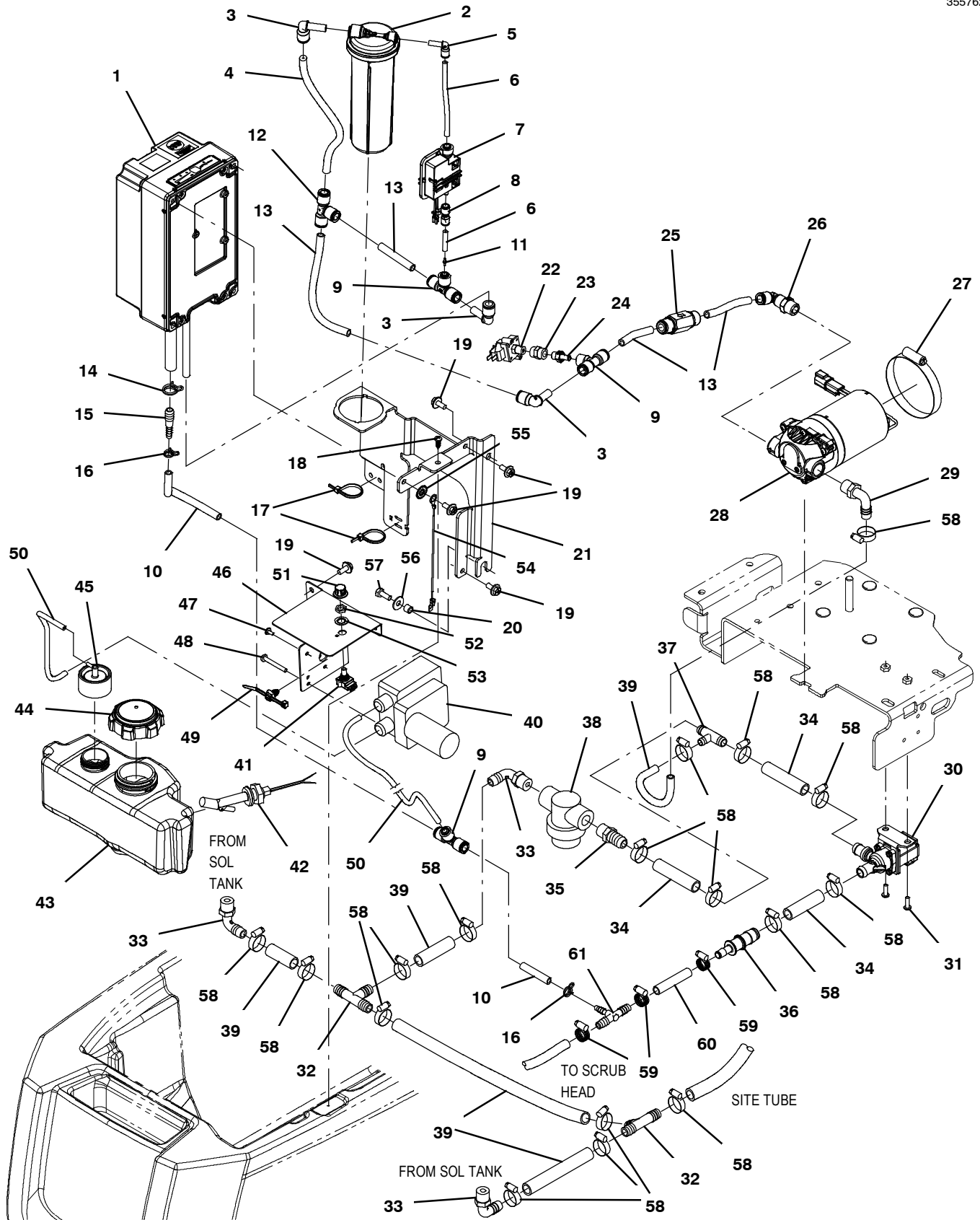
Ref.	Part No.	Serial Number	Description	Qty.
42	1212430	(10000000- 20000000 )	Sensor, Level, Liq, 30watt, Spst	1
43	1208289	(10000000- 20000000 )	Tank [1.5 Liter]	1
44	1210442	(10000000- 20000000 )	Cap, Tank, 2.25 [Vented]	1
45	1210437	(10000000- 20000000 )	Cap, Plstc, 38mm, Elbow Ftg	1
46	1209151	(10000000- 20000000 )	Bracket, Mtg, Pump, Detgt	1
47	609980	(10000000- 20000000 )	Screw, Trs, Phl, 08- 32 X 0.38, Sems	4
48	17185	(10000000- 20000000 )	Screw, Pan, Phl, M5 X 0.80 X 40, Ss	2
49	1210807	(10000000- 20000000 )	Wire, Tie [W/.25" Fir Tree Clip]	1
50	613465	(10000000- 20000000 )	Hose, Pvc, Clr, 0.12id 0.25od 026.0l	1
51	630265	(10000000- 20000000 )	Knob, Rnd, 0.75d 0.50l 0.25b, Plstc	1
52	222607	(10000000- 20000000 )	Nut, Hex, Thin, .38- 32	1
53	43953	(10000000- 20000000 )	Washer, Lock, Int, 0.38, Ss	1
54	1074344	(10000000- 20000000 )	Harness, Ele [Ring With .250m Tail]	1
55	41140	(10000000- 20000000 )	Washer, Lock, Int- Ext, 0.25	1
56	01684	(10000000- 20000000 )	Washer, Flat, 0.27b 0.69d .05, Ss	1
57	12277	(10000000- 20000000 )	Screw, Hex, M6 X 1.00 X 20, NI, Ss	1
58	54333	(11009738- 20000000 )	Clamp, Hose, Wormdrive, 0.31- 0.88d, .31w	10
59	43844	(10978370- 20000000 )	Clamp, Hose, Wormdrive, 0.25- 0.62d, .31w	3
60	1014929	(10978370- 20000000 )	Hose, Afmkt, Pvc, Clr, 0.38id, 01ft	1
61	50895	(10978370- 20000000 )	Fitting, Plstc, Tee, Bm04/Bm06/Bm06, Br	1

▽ ASSEMBLY

▲ INCLUDED IN ASSEMBLY

SOLUTION GROUP, STANDARD MODEL ec- H20 & SEVERE ENVIRONMENT  
(S/N 10978370 - 11009737) (NEW BARB CONNECTOR STYLE)

355762



**SOLUTION GROUP, STANDARD MODEL ec- H2O & SEVERE ENVIRONMENT  
(S/N 10978370 - 11009737) (NEW BARB CONNECTOR STYLE)**

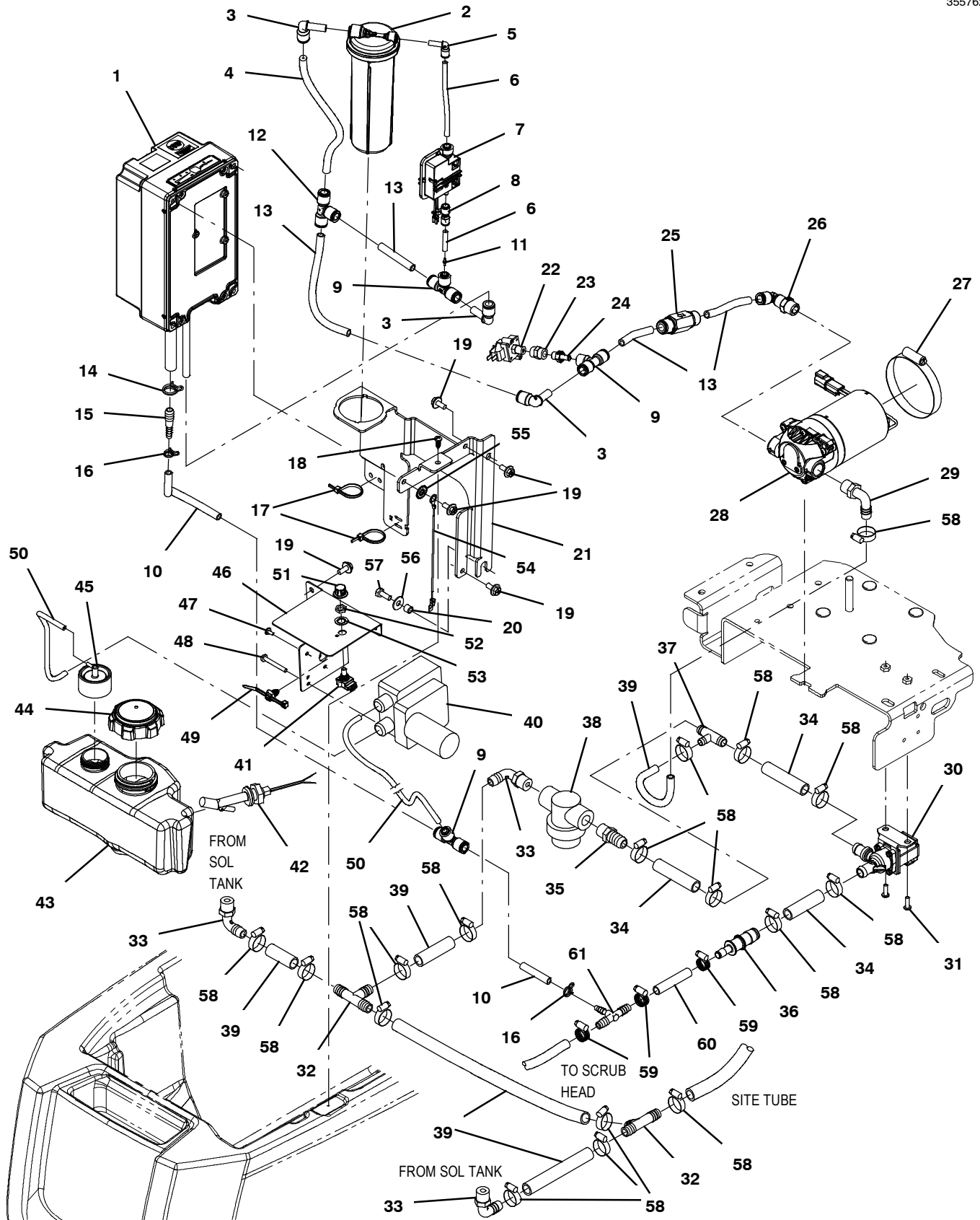
Ref.	Part No.	Serial Number	Description	Qty.
▽	1	9020643	(10998111- 20000000 ) Module Kit, Replmt [Ec- H2o, B 02] (See Breakdowns)	1
▽	1	9011810	(10000000- 10998110 ) Module Kit, Replmt [Ec- H2o, B 02] (See Breakdowns) (Replaced By 9020643)	1
▲	2	9013646	(10000000- 20000000 ) Cartridge, Ec- H2o Nanoclean Wcm, 270ml	1
	3	1215186	(10000000- 20000000 ) Fitting, Plstc, E90, Qf06/Qm06	1
	4	9014146	(10000000- 20000000 ) Hose, Afmkt, Pvc, 0.06id .38od, 05ft	1
	5	1214339	(10000000- 20000000 ) Fitting, Plstc, E90, Qfo4/Qm04	1
	6	9014147	(10000000- 20000000 ) Hose, Afmkt, Pvc, 0.06id .25od, 05ft	1
	7	1216973	(10000000- 20000000 ) Pump Assy, Dispenser	1
	8	1218192	(10000000- 20000000 ) Fitting, Plstc, Str, Qf04/Qf04	1
	9	1212855	(10000000- 20000000 ) Fitting, Plstc, Tee, Qf04/Qf06/Qf06	3
	10	1006415	(10000000- 20000000 ) Hose, Afmkt, Pvc, Clr, 0.25id, 03ft	1
	11	1214972	(10000000- 20000000 ) Fitting, Orifice, Str, Bm01/Bm01	1
	12	1212573	(10000000- 20000000 ) Fitting, Plstc, Tee, Qf06/Qf06/Qf06	1
	13	9014148	(10000000- 20000000 ) Hose, Afmkt, Nat, 0.25id 0.375od, 06ft	1
	14	607775	(10000000- 20000000 ) Clamp, Hose, Wir, .63 - .66, Blk	8
	15	1039557	(10000000- 20000000 ) Fitting, Plstc, Str, Bm04/Bm06	1
	16	613735	(10000000- 20000000 ) Clamp, Hose, Wir, .40 - .42, Yel	2
	17	130773	(10000000- 20000000 ) Tie, Cable, Nyl, 11.0l, .14w, 3.0 Max. D	2
	18	1018155	(10000000- 20000000 ) Screw, Pan, Phl, M5 X 0.80 X 16, Tcut, Ss	1
	19	1034731	(10000000- 20000000 ) Screw, Hex, M6 X 1.00 X 16, Sems, Ss	7
	20	140154	(10000000- 20000000 ) Sleeve, P/M, 0.25b 0.38d 0.3l, Pl	1
	21	1209249	(10000000- 20000000 ) Bracket, Mtg, Ec- H2O Module [T300]	1
	22	1044335	(10000000- 20000000 ) Switch, Press, 6psi, Pm02	1
	23	150307	(10000000- 20000000 ) Fitting, Brs, Str, Pf02/Pf02, Cplg	1
	24	1216185	(10000000- 20000000 ) Fitting, Plstc, Str, Qm04/Pm02	1
	25	1215527	(10000000- 20000000 ) Valve, Check, 1.0 Psi Qf06/Qf06	1
	26	1212812	(10000000- 20000000 ) Fitting, Plstc, E90, Qf06/Pm06, Swivel	1
	27	43555	(10000000- 20000000 ) Clamp, Hose, Wormdrive, 2.62- 3.50d	1
	28	1210517	(10000000- 20000000 ) Pump, Soltn, Ele, 24vdc, 35 Psi	1
	29	150412	(10978370- 20000000 ) Fitting, Plstc, E90, Bm06/Pm06	1
	30	1214973	(10978370- 11009737 ) Valve, Water, Solenoid, 24vdc, Bm10/Bm10	1
	31	1205799	(10000000- 20000000 ) Screw, Btn, M5 X 0.8 X 16, 8.8, NI, Torx	2
	32	63245- 1	(10978370- 11009737 ) Fitting, Plstc, Tee, Bm08/Bm08/Bm08	2
	29	64778	(10978370- 20000000 ) Fitting, Plstc, E90, Bm08/Pm06	1
	33	64778	(10978370- 20000000 ) Fitting, Plstc, E90, Bm08/Pm06	3
	34	1035355	(10978370- 11009737 ) Hose, Afmkt, Pvc, Clr, 0.62id, 02ft	1
	35	1013900	(10978370- 11009737 ) Fitting, Plstc, Str, Bm10/Pm06, Nyl	1
	36	1243167	(10978370- 11009737 ) Fitting, Plstc, Str, Bm06/Bm10	1
	37	160310	(10978370- 20000000 ) Fitting, Plstc, Tee, Bm06/Bm06/Bm06	1
▽	38	1211537	(10000000- 20000000 ) Filter, In- Line, Pf06/Pf06 080m 2.6l Epd	1
▲		1218885	(10000000- 20000000 ) Gasket [Epdm, F/1211537]	1
▲		1218883	(10000000- 20000000 ) Screen, Fltr, 80 Mesh, Ss [W/ Cage]	1
▲		613991	(10000000- 20000000 ) Bowl, Clr, Short, F/1005302	1
	39	1015068	(10978370- 11009737 ) Hose, Afmkt, Pvc, Clr, 0.50id, 03ft	1
▽	40	1215698	(10000000- 20000000 ) Pump Assy, Detgt, 24 Vdc [T300]	1
▲		1208721	(10000000- 20000000 ) Pump, Detgt, 24vdc, 120rpm	1
▲		1219077	(10000000- 20000000 ) Hose Kit, Detgt [0.5cc]	1
▲	41	1211775	(10000000- 20000000 ) Potentiometer [5k, W/Leads And Conn.]	1

▽ ASSEMBLY

▲ INCLUDED IN ASSEMBLY

SOLUTION GROUP, STANDARD MODEL ec- H20 & SEVERE ENVIRONMENT  
(S/N 10978370 - 11009737) - CONT'D (NEW BARB CONNECTOR STYLE)

355762





**SOLUTION GROUP, STANDARD MODEL ec- H2O & SEVERE ENVIRONMENT  
(S/N 10978370 - 11009737) - CONT'D (NEW BARB CONNECTOR STYLE)**

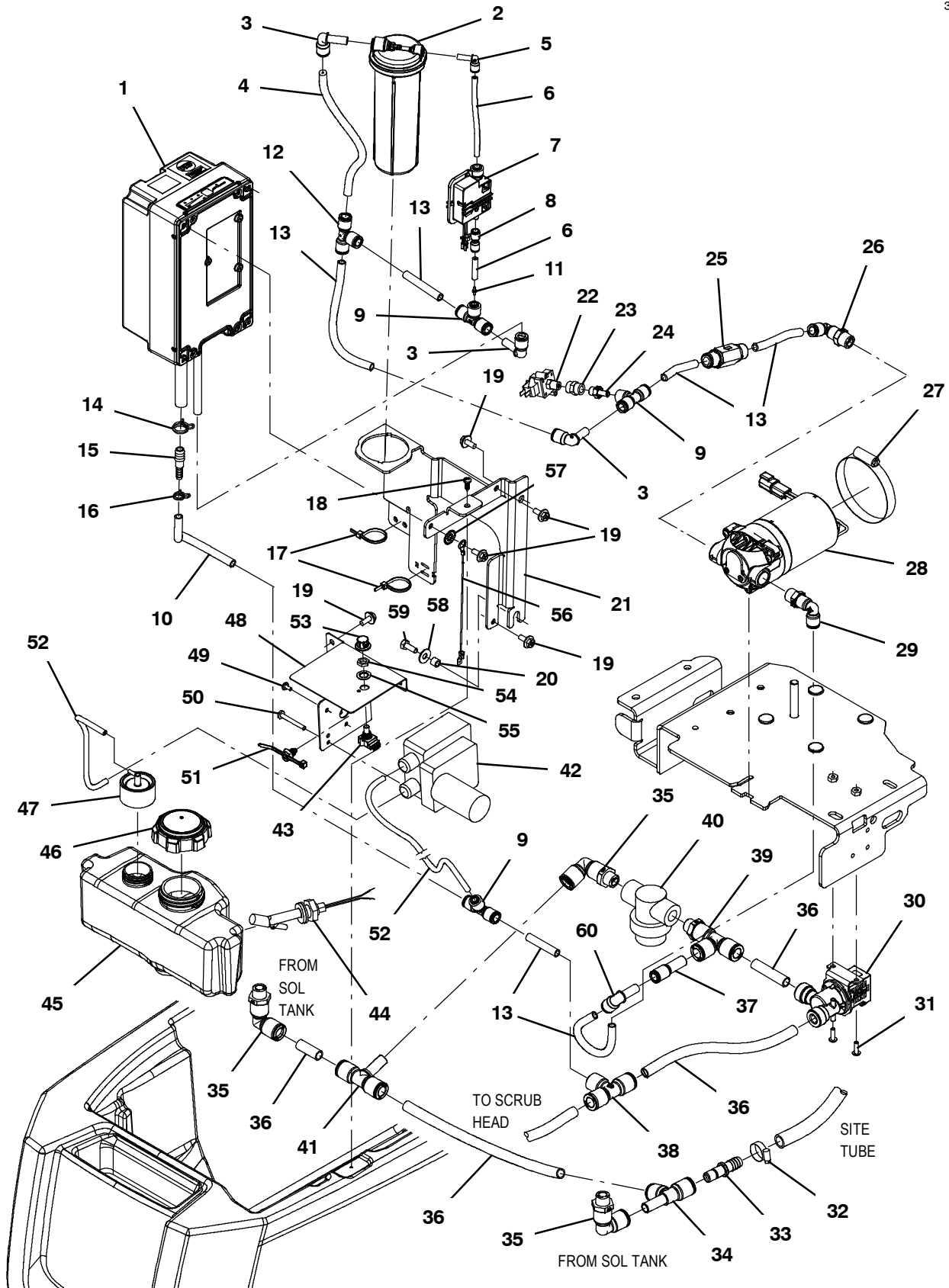
Ref.	Part No.	Serial Number	Description	Qty.
42	1212430	(10000000- 20000000 )	Sensor, Level, Liq, 30watt, Spst	1
43	1208289	(10000000- 20000000 )	Tank [1.5 Liter]	1
44	1210442	(10000000- 20000000 )	Cap, Tank, 2.25 [Vented]	1
45	1210437	(10000000- 20000000 )	Cap, Plstc, 38mm, Elbow Ftg	1
46	1209151	(10000000- 20000000 )	Bracket, Mtg, Pump, Detgt	1
47	609980	(10000000- 20000000 )	Screw, Trs, Phl, 08- 32 X 0.38, Sems	4
48	17185	(10000000- 20000000 )	Screw, Pan, Phl, M5 X 0.80 X 40, Ss	2
49	1210807	(10000000- 20000000 )	Wire, Tie [W/.25" Fir Tree Clip]	1
50	613465	(10000000- 20000000 )	Hose, Pvc, Clr, 0.12id 0.25od 026.0l	1
51	630265	(10000000- 20000000 )	Knob, Rnd, 0.75d 0.50l 0.25b, Plstc	1
52	222607	(10000000- 20000000 )	Nut, Hex, Thin, .38- 32	1
53	43953	(10000000- 20000000 )	Washer, Lock, Int, 0.38, Ss	1
54	1074344	(10000000- 20000000 )	Harness, Ele [Ring With .250m Tail]	1
55	41140	(10000000- 20000000 )	Washer, Lock, Int- Ext, 0.25	1
56	01684	(10000000- 20000000 )	Washer, Flat, 0.27b 0.69d .05, Ss	1
57	12277	(10000000- 20000000 )	Screw, Hex, M6 X 1.00 X 20, NI, Ss	1
58	54333	(10978370- 11009737 )	Clamp, Hose, Wormdrive, 0.31- 0.88d, .31w	16
59	43844	(10978370- 20000000 )	Clamp, Hose, Wormdrive, 0.25- 0.62d, .31w	3
60	1014929	(10978370- 20000000 )	Hose, Afmkt, Pvc, Clr, 0.38id, 01ft	1
61	50895	(10978370- 20000000 )	Fitting, Plstc, Tee, Bm04/Bm06/Bm06, Br	1

▽ ASSEMBLY

▲ INCLUDED IN ASSEMBLY

SOLUTION GROUP, STANDARD MODEL ec- H20 & SEVERE ENVIRONMENT  
(ORIGINAL PUSH QUICK CONNECTOR STYLE)

355311



**SOLUTION GROUP, STANDARD MODEL ec- H2O & SEVERE ENVIRONMENT  
(ORIGINAL PUSH QUICK CONNECTOR STYLE)**

Ref.	Part No.	Serial Number	Description	Qty.
▽	1	9011810	(10000000- 10998110 ) Module Kit, Replmt [Ec- H2o, B 02] (See Breakdowns) (Replaced By 9020643)	1
▲	2	9013646	(10000000- 20000000 ) Cartridge, Ec- H2o Nanoclean Wcm, 270ml	1
	3	1215186	(10000000- 20000000 ) Fitting, Plstc, E90, Qf06/Qm06	1
	4	9014146	(10000000- 20000000 ) Hose, Afmkt, Pvc, 0.06id .38od, 05ft	1
	5	1214339	(10000000- 20000000 ) Fitting, Plstc, E90, Qfo4/Qm04	1
	6	9014147	(10000000- 20000000 ) Hose, Afmkt, Pvc, 0.06id .25od, 05ft	1
	7	1216973	(10000000- 20000000 ) Pump Assy, Dispenser	1
	8	1218192	(10000000- 20000000 ) Fitting, Plstc, Str, Qf04/Qf04	1
	9	1212855	(10000000- 20000000 ) Fitting, Plstc, Tee, Qf04/Qf06/Qf06	3
	10	1006415	(10000000- 20000000 ) Hose, Afmkt, Pvc, Clr, 0.25id, 03ft	1
	11	1214972	(10000000- 20000000 ) Fitting, Orifice, Str, Bm01/Bm01	1
	12	1212573	(10000000- 20000000 ) Fitting, Plstc, Tee, Qf06/Qf06/Qf06	1
	13	9014148	(10000000- 20000000 ) Hose, Afmkt, Nat, 0.25id 0.375od, 06ft	1
	14	607775	(10000000- 20000000 ) Clamp, Hose, Wir, .63 - .66, Blk	1
	15	1039557	(10000000- 20000000 ) Fitting, Plstc, Str, Bm04/Bm06	1
	16	613735	(10000000- 20000000 ) Clamp, Hose, Wir, .40 - .42, Yel	1
	17	130773	(10000000- 20000000 ) Tie, Cable, Nyl, 11.0l, .14w, 3.0 Max. D	2
	18	1018155	(10000000- 20000000 ) Screw, Pan, Phl, M5 X 0.80 X 16, Tcut, Ss	1
	19	1034731	(10000000- 20000000 ) Screw, Hex, M6 X 1.00 X 16, Sems, Ss	7
	20	140154	(10000000- 20000000 ) Sleeve, P/M, 0.25b 0.38d 0.3l, PI	1
	21	1209249	(10000000- 20000000 ) Bracket, Mtg, Ec- H2O Module [T300]	1
	22	1044335	(10000000- 20000000 ) Switch, Press, 6psi, Pm02	1
	23	150307	(10000000- 20000000 ) Fitting, Brs, Str, Pf02/Pf02, Cplg	1
	24	1216185	(10000000- 20000000 ) Fitting, Plstc, Str, Qm04/Pm02	1
	25	1215527	(10000000- 20000000 ) Valve, Check, 1.0 Psi Qf06/Qf06	1
	26	1212812	(10000000- 20000000 ) Fitting, Plstc, E90, Qf06/Pm06, Swivel	1
	27	43555	(10000000- 20000000 ) Clamp, Hose, Wormdrive, 2.62- 3.50d	1
	28	1210517	(10000000- 20000000 ) Pump, Soltn, Ele, 24vdc, 35 Psi	1
	29	1212812	(10000000- 10978369 ) Fitting, Plstc, E90, Qf06/Pm06, Swivel	1
	30	1211424	(10000000- 10978369 ) Valve, Water, Solenoid, 24vdc Qf08/Qf08	1
	31	1205799	(10000000- 20000000 ) Screw, Btn, M5 X 0.8 X 16, 8.8, NI, Torx	2
	32	54333	(10000000- 10978369 ) Clamp, Hose, Wormdrive, 0.31- 0.88d, .31w	1
	33	1212807	(10000000- 10978369 ) Fitting, Plstc, Str, Qm08/Bm08	1
	34	1212806	(10000000- 10978369 ) Fitting, Plstc, Tee, Qf08/Qf08/Qm08	1
	35	1212987	(10000000- 10978369 ) Fitting, Plstc, E90, Qf08/Pm06, Swivel	3
	36	9014145	(10000000- 10978369 ) Hose, Afmkt, Pe, .375id .50od, 05ft	1
	37	1215218	(10000000- 10978369 ) Fitting, Plstc, Str, Qf06/Qm08	1
	38	1212875	(10000000- 10978369 ) Fitting, Plstc, Tee, Qf06/Qf08/Qf08	1
	39	1212808	(10000000- 10978369 ) Fitting, Plstc, Tee, Qf08/Qf08/Pm06	1
▽	40	1211537	(10000000- 20000000 ) Filter, In- Line, Pf06/Pf06 080m 2.6l Epd	1
▲		1218885	(10000000- 20000000 ) Gasket [Epdm, F/1211537]	1
▲		1218883	(10000000- 20000000 ) Screen, Fltr, 80 Mesh, Ss [W/ Cage]	1
▲		613991	(10000000- 20000000 ) Bowl, Clr, Short, F/1005302	1

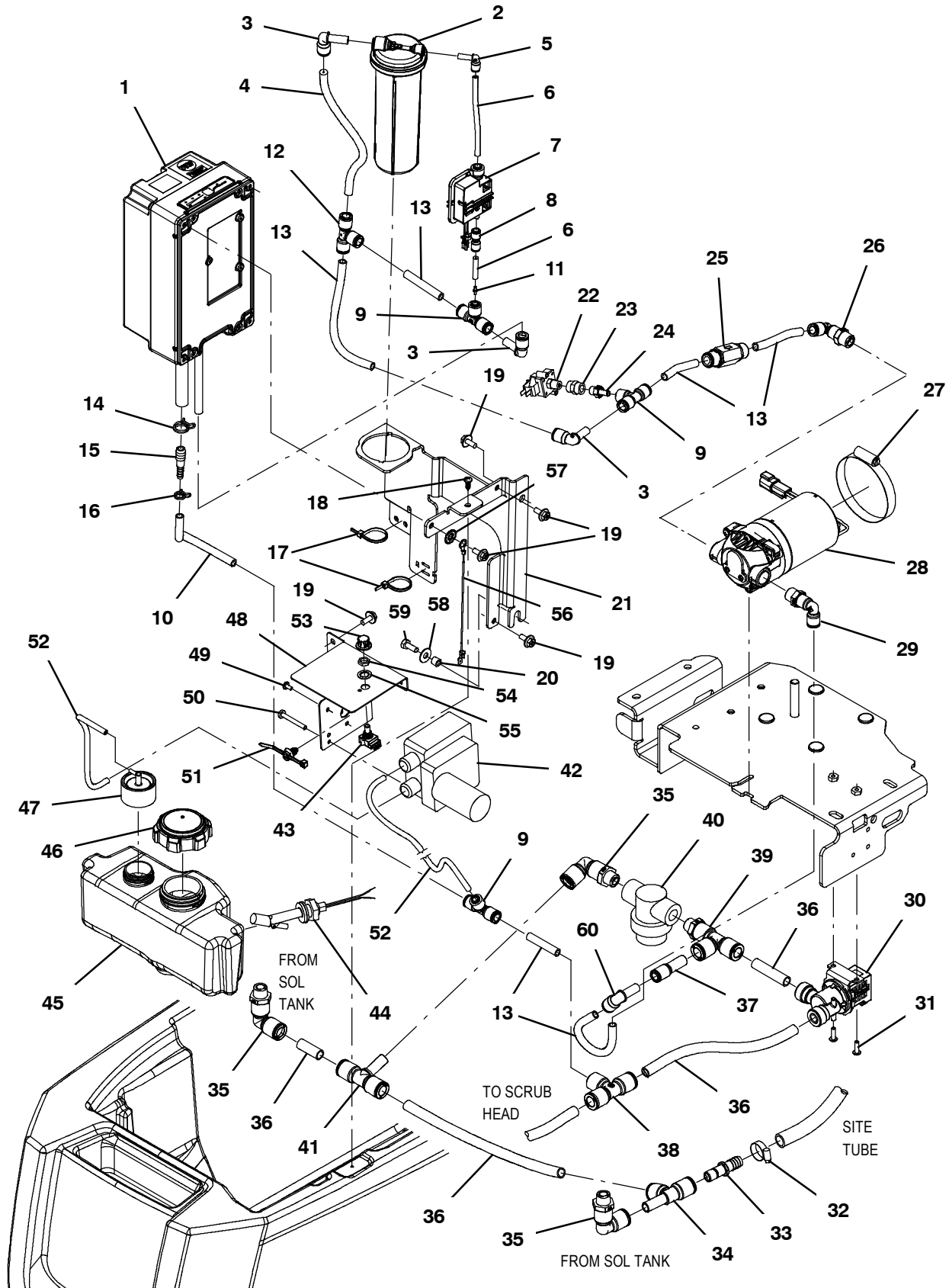
▽ ASSEMBLY

▲ INCLUDED IN ASSEMBLY

# STANDARD PARTS

## SOLUTION GROUP, STANDARD MODEL ec-H20 & SEVERE ENVIRONMENT - CONT'D (ORIGINAL PUSH QUICK CONNECTOR STYLE)

355311



**SOLUTION GROUP, STANDARD MODEL ec- H20 & SEVERE ENVIRONMENT - CONT'D  
(ORIGINAL PUSH QUICK CONNECTOR STYLE)**

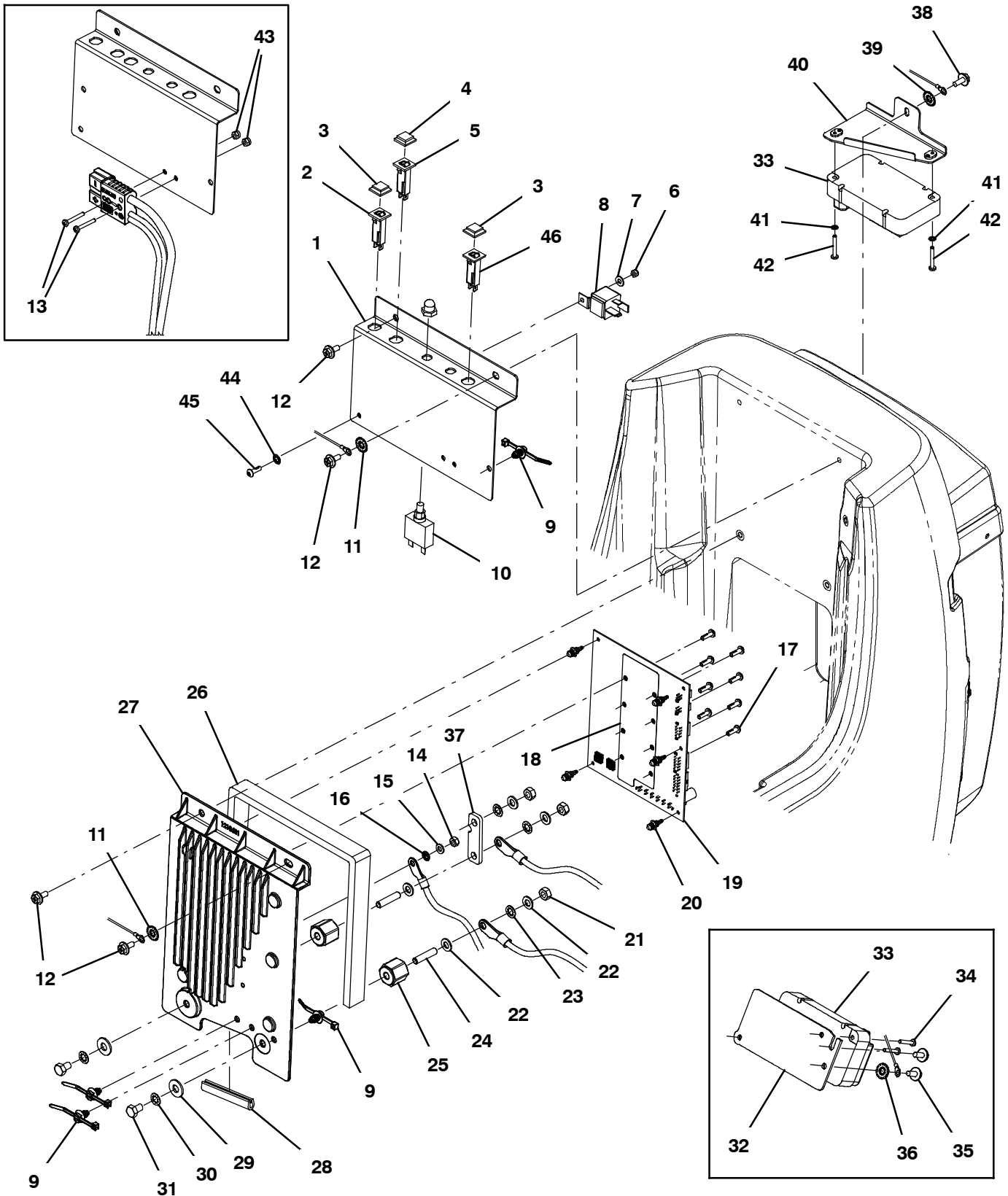
Ref.	Part No.	Serial Number	Description	Qty.
	41	1212810	(10000000- 10978369 ) Fitting, Plstc, Tee, Qm08/Qf08/Qf08	1
▽	42	1215698	(10000000- 20000000 ) Pump Assy, Detgt, 24 Vdc [T300]	1
▲		1208721	(10000000- 20000000 ) Pump, Detgt, 24vdc, 120rpm	1
▲		1219077	(10000000- 20000000 ) Hose Kit, Detgt [0.5cc]	1
▲	43	1211775	(10000000- 20000000 ) Potentiometer [5k, W/Leads And Conn.]	1
	44	1212430	(10000000- 20000000 ) Sensor, Level, Liq, 30watt, Spst	1
	45	1208289	(10000000- 20000000 ) Tank [1.5 Liter]	1
	46	1210442	(10000000- 20000000 ) Cap, Tank, 2.25 [Vented]	1
	47	1210437	(10000000- 20000000 ) Cap, Plstc, 38mm, Elbow Ftg	1
	48	1209151	(10000000- 20000000 ) Bracket, Mtg, Pump, Detgt	1
	49	609980	(10000000- 20000000 ) Screw, Trs, Phl, 08- 32 X 0.38, Sems	4
	50	17185	(10000000- 20000000 ) Screw, Pan, Phl, M5 X 0.80 X 40, Ss	2
	51	1210807	(10000000- 20000000 ) Wire, Tie [W/.25" Fir Tree Clip]	1
	52	613465	(10000000- 20000000 ) Hose, Pvc, Clr, 0.12id 0.25od 026.0l	1
	53	630265	(10000000- 20000000 ) Knob, Rnd, 0.75d 0.50l 0.25b, Plstc	1
	54	222607	(10000000- 20000000 ) Nut, Hex, Thin, .38- 32	1
	55	43953	(10000000- 20000000 ) Washer, Lock, Int, 0.38, Ss	1
	56	1074344	(10000000- 20000000 ) Harness, Ele [Ring With .250m Tail]	1
	57	41140	(10000000- 20000000 ) Washer, Lock, Int- Ext, 0.25	1
	58	01684	(10000000- 20000000 ) Washer, Flat, 0.27b 0.69d .05, Ss	1
	59	12277	(10000000- 20000000 ) Screw, Hex, M6 X 1.00 X 20, NI, Ss	1
	60	1215186	(10890202- 10978369 ) Fitting, Plstc, E90, Qf06/Qm06	1

▽ ASSEMBLY

▲ INCLUDED IN ASSEMBLY

STANDARD ELECTRICAL COMPONENTS GROUP

355401



## STANDARD ELECTRICAL COMPONENTS GROUP

Ref.	Part No.	Serial Number	Description	Qty.
1	9014188	(10000000- 20000000 )	Bracket Wldt, Afmkt, Mtg [Circuitbrkrs]	1
2	1208816	(10000000- 20000000 )	Circuitbreaker, 04.0a, Resetable	1
3	1064191	(10000000- 20000000 )	Boot, Circuitbreaker	2
4	1064191	(xxxxxxx- 20000000 )	Boot, Circuitbreaker (ec- H2O Option)	1
4	1064191	(10000000- xxxxxxx )	Boot, Circuitbreaker (ec- H2O Option)	2
5	1064187	(xxxxxxx- 20000000 )	Circuitbreaker, 10.0a, Resetable	1
5	1208816	(10000000- xxxxxxx )	Circuitbreaker, 04.0a, Resetable (ec- H2O Option)	2
6	09739	(10000000- 20000000 )	Nut, Hex, Lock, M5 X 0.80, NI, Ss (ec- H2O Option)	1
7	01683	(10000000- 20000000 )	Washer, Flat, 10, Ss (ec- H2O Option)	1
8	1012216	(10000000- 20000000 )	Relay, 24vdc, 070a, Spst No, Plug- In (ec- H2O Option)	1
9	1210807	(10000000- 20000000 )	Wire, Tie [W/.25" Fir Tree Clip]	4
10	383725	(10000000- 20000000 )	Circuitbreaker, 30.0a, Resetable (Propel Model)	1
11	41140	(10000000- 20000000 )	Washer, Lock, Int- Ext, 0.25	2
12	1034731	(10000000- 20000000 )	Screw, Hex, M6 X 1.00 X 16, Sems, Ss	4
13	33931	(10000000- xxxxxxx )	Screw, Pan, Phl, M4 X 0.70 X 30, Ss	2
14	1061910	(10000000- 20000000 )	Nut, Hex, Std, M6 X 1.00, Brs	1
15	1061918	(10000000- 20000000 )	Washer, Flat, 0.25b 0.47d .06, Brs	1
16	07515	(10000000- 20000000 )	Washer, Lock, Int, 0.25, Ss	1
17	1205799	(10000000- 20000000 )	Screw, Btn, M5 X 0.8 X 16, 8.8, NI, Torx	8
18	1210381	(10000000- 20000000 )	Circuitboard, Silpad [Vw, Lower]	1
▽	19	9040084*	(10000000- 20000000 ) Board Kit, Scb, Std, Ci	1
▲		27964	(10000000- 20000000 ) Strap, Ground, Static, Disposable	1
▲		1071235	(10000000- 20000000 ) Cable [Usb, 2m, A- Male To Mini- B- Male]	1
	20	1209448	(10000000- 20000000 ) Standoff, Circuitboard, .25	5
	21	41361	(10000000- 20000000 ) Nut, Hex, Std, M8 X 1.25, Brs	3
	22	1209373	(10000000- 20000000 ) Washer, Flat, M8.4b X 16d X 1.6, Brs	5
	23	43952	(10000000- 20000000 ) Washer, Lock, Int, 0.31, Ss	3
	24	607461	(10000000- 20000000 ) Screw, Set, M8 X 1.25 X 35, NI	2
	25	1205345	(10000000- 20000000 ) Stand- Off, Wir, M8, Insulator, Panel	2
	26	1208628	(10000000- 20000000 ) Gasket, Cover, Circuitboard	1
	27	1210631	(10000000- 20000000 ) Heatsink, Mtg, Circuitboard, 12.1 X 08.6	1
	28	1020174	(10000000- 20000000 ) Molding, Afmkt, Trim, Pvc, .08 .11, 03ft	1
	29	01685	(10000000- 20000000 ) Washer, Flat, 0.38b 0.88d .08, Ss	2
	30	32984	(10000000- 20000000 ) Washer, Lock, Int, 0.31	2
	31	386868	(10000000- 20000000 ) Screw, Hex, M8 X 1.25 X 12, Ss	2
	32	1210078	(10000000- 10813435 ) Bracket Wldt, Drive (Propel Model)	1
	33	9014613*	(10000000- 20000000 ) Controller Kit, Spd, Ci [T300/E/Ss300] (Propel Model)	1
	34	04403	(10000000- 10813435 ) Screw, Pan, Phl, M4 X 0.70 X 25, NI, Ss (Propel Model)	2
	35	1034731	(10000000- 10813435 ) Screw, Hex, M6 X 1.00 X 16, Sems, Ss (Propel Model)	2
	36	41140	(10000000- 10813435 ) Washer, Lock, Int- Ext, 0.25 (Propel Model)	1
	37	1212780	(10000000- 20000000 ) Busbar, 125a 0.188 0.750w 2.638l	1
	38	1034731	(10813436- 20000000 ) Screw, Hex, M6 X 1.00 X 16, Sems, Ss	1
	39	41140	(10813436- 20000000 ) Washer, Lock, Int- Ext, 0.25	1
	40	1223824	(10813436- 20000000 ) Bracket Wldt, Mtg, Cntrl, [T300/T300e]	1
	41	02938	(10813436- 20000000 ) Washer, Lock, Int, 08, Ss	2
	42	33931	(10813436- 20000000 ) Screw, Pan, Phl, M4 X 0.70 X 30, Ss	2
	43	02850	(10000000- xxxxxxx ) Nut, Hex, Lock, M4 X 0.70, NI	2
	44	07515	(10000000- 20000000 ) Washer, Lock, Int, 0.25, Ss	1
	45	1205799	(10000000- 20000000 ) Screw, Btn, M5 X 0.8 X 16, 8.8, NI, Torx	1
	46	1064189	(10000000- 20000000 ) Circuitbreaker, 20.0a, Resetable	1

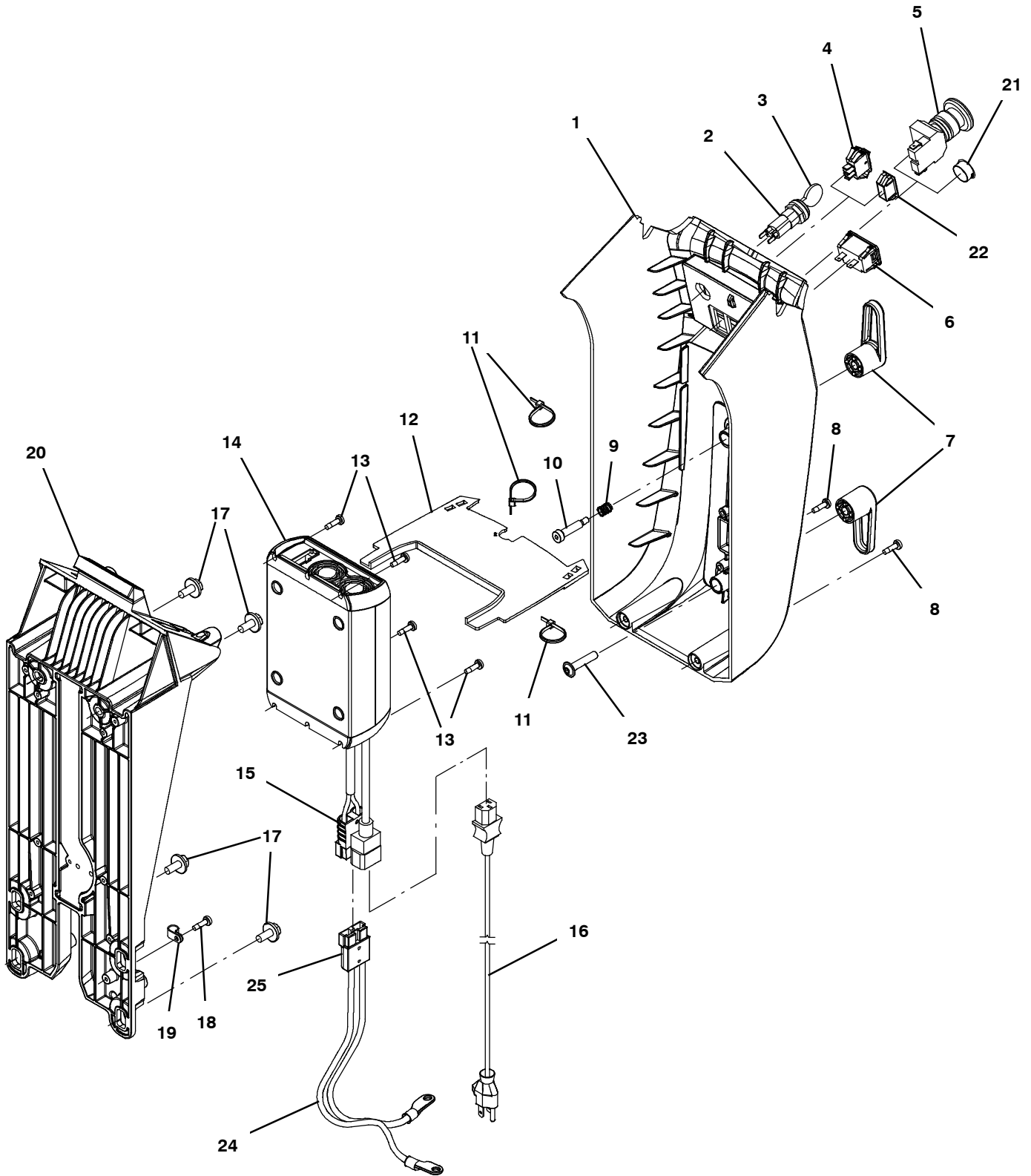
\* Requires Tennant *True* service or an authorized Tennant service provider.

▽ ASSEMBLY

▲ INCLUDED IN ASSEMBLY

LOWER CONSOLE GROUP, ON-BOARD CHARGER

355328





## LOWER CONSOLE GROUP, ON-BOARD CHARGER

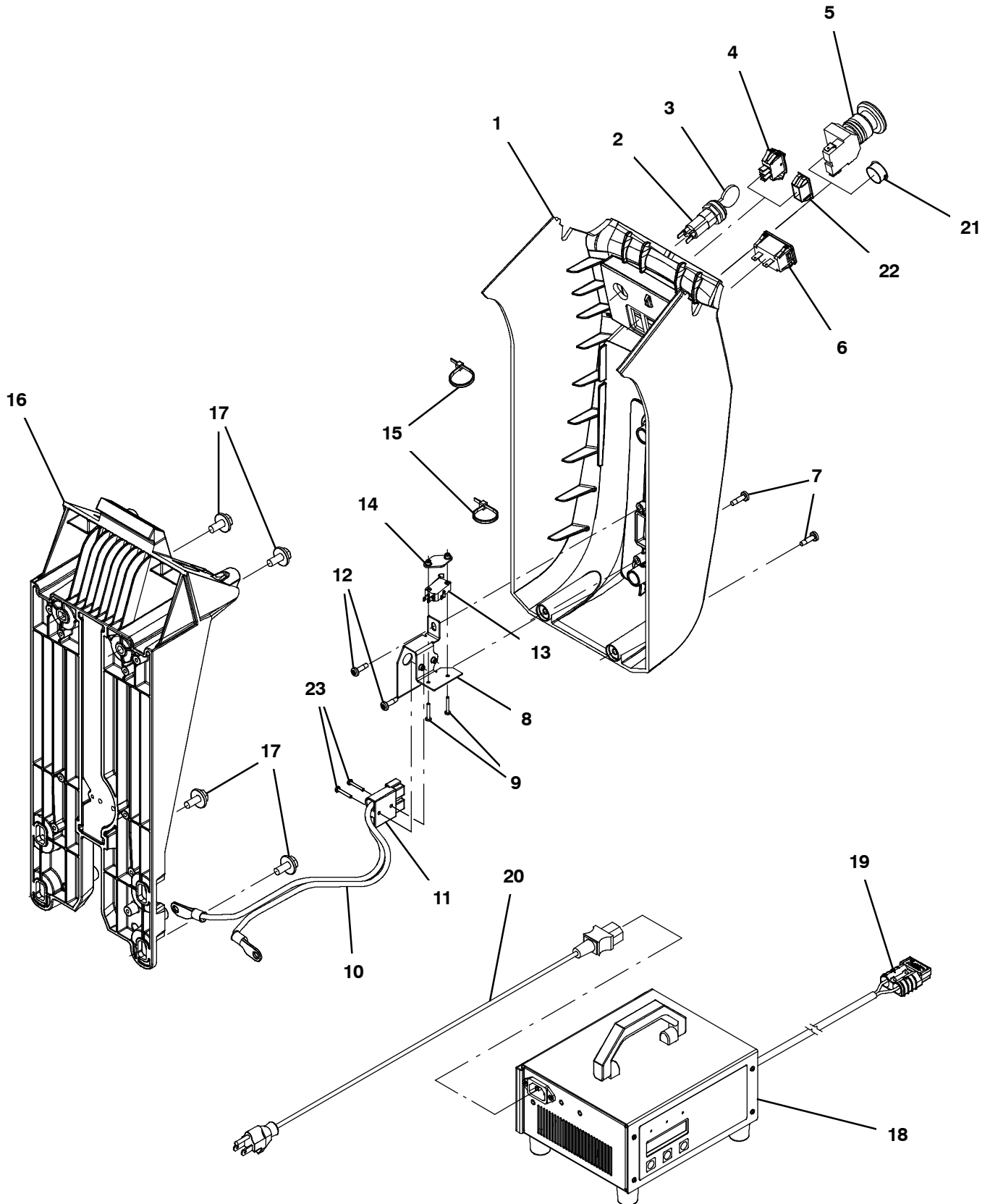
Ref.	Part No.	Serial Number	Description	Qty.
1	9012789	(10000000- 20000000 )	Cover, Console, Afmkt, W/ Label [Na]	1
1	9012790	(10000000- 20000000 )	Cover, Console, Afmkt, W/ Label [Jp]	1
▽	2	1011402	(10000000- 20000000 ) Switch, Key	1
▲	3	1017696	(10000000- 20000000 ) Key Set, Replmt [F/ Keyswitch 1011402]	1
4	1044393	(10000000- 20000000 )	Switch, Rocker, Spst Mom (ec- H2O Option)	1
5	1011735	(10000000- 20000000 )	Switch, Safety, Shutoff (Propel Model)	1
6	1064038	(10000000- 20000000 )	Gauge, Hourmeter, 05- 277 Volt, Ac / Dc	1
7	1205496	(10000000- 20000000 )	Hook, Cord	2
8	1043573	(10795905- 20000000 )	Screw, #10- 14 X 0.675, Spl[Shcs,Selftap]	2
8	1205799	(10000000- 10795904 )	Screw, Btn, M5 X 0.8 X 16, 8.8, NI, Torx	2
9	611311	(10982012- 20000000 )	Spring, Cmpr, 0.40od .05wir 00.5l, Pl,Mw	1
9	611311	(10000000- 10982011 )	Spring, Cmpr, 0.40od .05wir 00.5l, Pl,Mw	2
10	1024965	(10982012- 20000000 )	Bolt, Shld, 08mmd X 030mm, M06 X 1.0	2
10	1024965	(10000000- 10982011 )	Bolt, Shld, 08mmd X 030mm, M06 X 1.0	2
11	130773	(10000000- 20000000 )	Tie, Cable, Nyl, 11.0l, .14w, 3.0 Max. D	3
12	1211582	(10000000- 20000000 )	Cover, Chrgr [Small Spe]	1
13	1043573	(10795905- 20000000 )	Screw, #10- 14 X 0.675, Spl[Shcs,Selftap]	4
13	1205799	(10000000- 10795904 )	Screw, Btn, M5 X 0.8 X 16, 8.8, NI, Torx	4
▽	14	9015304	(10000000- 20000000 ) Charger Kit, 24vdc 13a 100- 240vac[On- Bd] (North America) (Note: Charger Kit required for models equipped with vented consoles)	1
▲▽	14	1242853	(10000000- 20000000 ) Charger, 24vdc 13a 100- 240vac [On Brd] (North America)	1
▲▲	15	605387	(10000000- 20000000 ) Connector, Anderson, 050a, Red [W/O Con]	1
▽	14	9015946	(10000000- 20000000 ) Charger Kit, 24vdc 13a 100- 240vac[On- Bd] (APAC) (Note: Charger Kit required for models equipped with vented consoles)	1
▲▽	14	1243129	(10000000- 20000000 ) Charger, 24vdc 13a 100- 240vac [On Brd] (APAC)	1
▲▲	15	605387	(10000000- 20000000 ) Connector, Anderson, 050a, Red [W/O Con]	1
16	1025642	(10000000- 20000000 )	Cord, Power, 16/3, 15ft Blk [Us]	1
16	1026330	(10000000- 20000000 )	Cord, Power, 1.0mm2 [2.5meter] (China)	1
16	1048304	(10000000- 20000000 )	Cord, Power [4.5meter, India, S.Africa]	1
16	1026325	(10000000- 20000000 )	Cord, Power, 1.0mm2/3 Blk[2.5meter, Aus]	1
17	1020341	(10000000- 20000000 )	Screw, Hex, M8 X 1.25 X 20, Ss, Sems	4
18	1043573	(10795905- 20000000 )	Screw, #10- 14 X 0.675, Spl[Shcs,Selftap]	1
18	1205799	(10000000- 10795904 )	Screw, Btn, M5 X 0.8 X 16, 8.8, NI, Torx	1
19	26395- 2	(10000000- 20000000 )	Clamp, Cable, Stl, 0.38d X 0.38w, 1hole	1
20	1231373	(10795905- 20000000 )	Frame, Column, Cntrl [Im], T600	1
20	1216531	(10000000- 10795904 )	Frame, Column, Cntrl [Revised Machined]	1
21	130161	(10000000- 20000000 )	Plug, Hole, Rnd, 0.88d, Blk (Push Model)	1
22	582150	(10000000- 20000000 )	Plug, Hole, Rt, 1.23 X 1.12, Nyl (Standard Model)	1
23	1248098	(10982012- 20000000 )	Screw, Btn, Flng, M6 X 1.0 X 30, 10.9	1
▽	24	1073634	(10000000- 20000000 ) Harness, Chrgr, 12ga [M8 Ring/M8 Ring]	1
▲	25	605387	(10000000- 20000000 ) Connector, Anderson, 050a, Red [W/O Con]	1

▽ ASSEMBLY

▲ INCLUDED IN ASSEMBLY

LOWER CONSOLE GROUP, OFF-BOARD CHARGER

355329



## LOWER CONSOLE GROUP, OFF- BOARD CHARGER

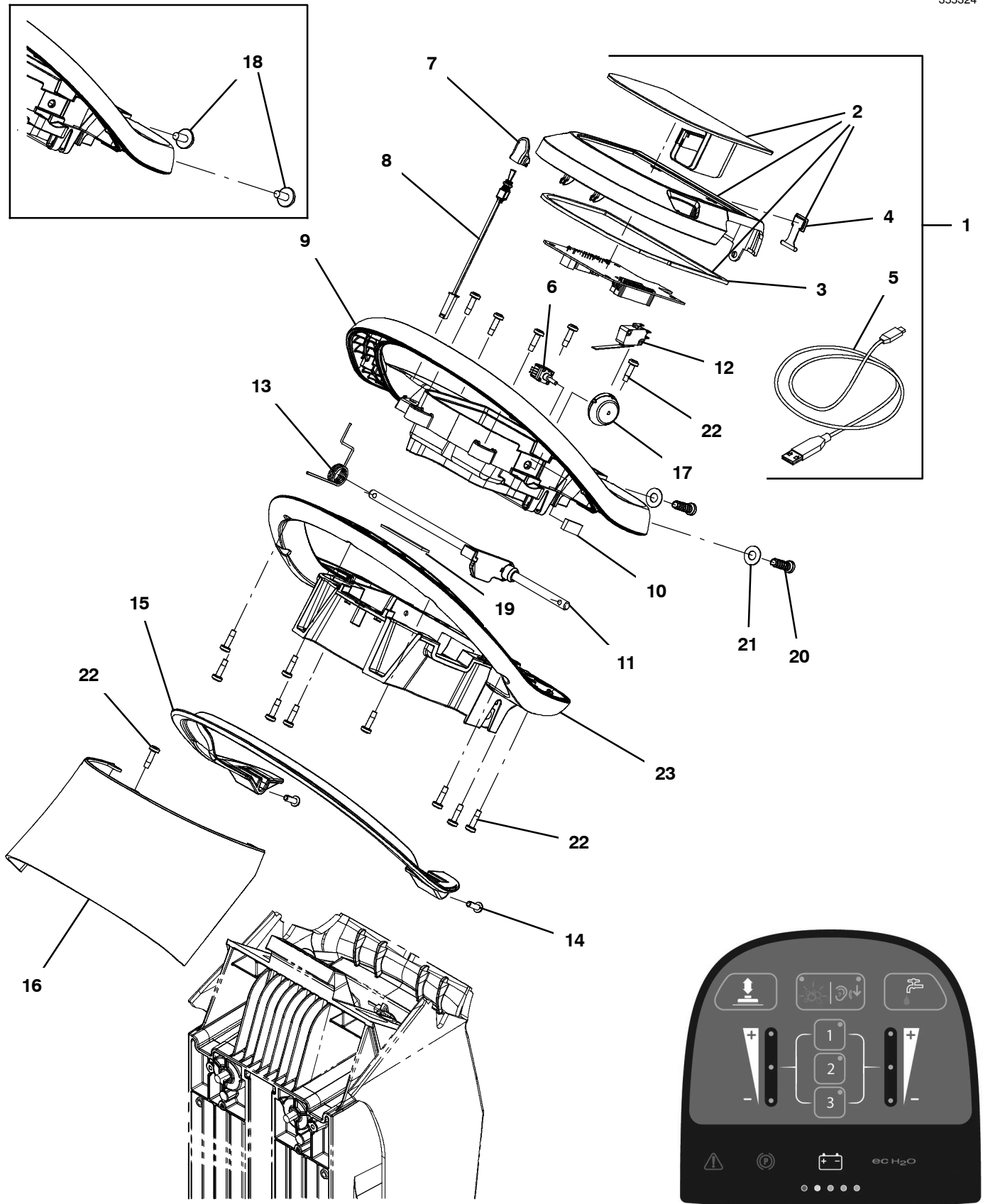
Ref.	Part No.	Serial Number	Description	Qty.
1	9012789	(10000000- 20000000 )	Cover, Console, Afmkt, W/ Label [Na]	1
1	9012790	(10000000- 20000000 )	Cover, Console, Afmkt, W/ Label [Jp]	1
▽	2	1011402	(10000000- 20000000 ) Switch, Key	1
▲	3	1017696	(10000000- 20000000 ) Key Set, Replmt [F/ Keyswitch 1011402]	1
4	1044393	(10000000- 20000000 )	Switch, Rocker, Spst Mom (ec- H2O Option)	1
5	1011735	(10000000- 20000000 )	Switch, Safety, Shutoff (Propel Model)	1
6	1064038	(10000000- 20000000 )	Gauge, Hourmeter, 05- 277 Volt, Ac / Dc	1
7	1043573	(10795905- 20000000 )	Screw, #10- 14 X 0.675, Spl[Shcs,Selftap]	2
7	1205799	(10000000- 10795904 )	Screw, Btn, M5 X 0.8 X 16, 8.8, NI, Torx	2
8	1208599	(10000000- 20000000 )	Bracket Assy, Plug, Charger	1
9	06922	(10000000- 20000000 )	Screw, Pan, Phl, M3 X 0.50 X 20, 4.8	2
▽	10	1073634	(10000000- 20000000 ) Harness, Chrgr, 12ga [M8 Ring/M8 Ring]	1
▲	11	605387	(10000000- 20000000 ) Connector, Anderson, 050a, Red [W/O Con]	1
16	1043573	(10000000- 20000000 )	Screw, #10- 14 X 0.675, Spl[Shcs,Selftap]	2
17	1215716	(10000000- 20000000 )	Switch, 0.1a, Spdt[Micro, Gold Contacts]	1
18	1013705	(10000000- 20000000 )	Plate, Thread, Switch, M3 Nut, 96hr PI	1
19	130773	(10000000- 20000000 )	Tie, Cable, Nyl, 11.0l, .14w, 3.0 Max. D	2
16	1231373	(10795905- 20000000 )	Frame, Column, Cntrl [Im], T600	1
16	1216531	(10000000- 10795904 )	Frame, Column, Cntrl [Revised Machined]	1
17	1020341	(10000000- 20000000 )	Screw, Hex, M8 X 1.25 X 20, Ss, Sems	4
▽	18	1212837	(10000000- 20000000 ) Charger, 24vdc, 13a 85- 265vac [Offboard]	1
▲	19	605387	(10000000- 20000000 ) Connector, Anderson, 050a, Red [W/O Con]	1
20	1025642	(10000000- 20000000 )	Cord, Power, 16/3, 15ft Blk [Us]	1
20	1026330	(10000000- 20000000 )	Cord, Power, 1.0mm2 [2.5meter] (China)	1
20	1026325	(10000000- 20000000 )	Cord, Power, 1.0mm2/3 Blk[2.5meter, Aus]	1
20	1048304	(10000000- 20000000 )	Cord, Power [4.5meter, India, S.Africa]	1
21	130161	(10000000- 20000000 )	Plug, Hole, Rnd, 0.88d, Blk (Push Model)	1
22	582150	(10000000- 20000000 )	Plug, Hole, Rt, 1.23 X 1.12, Nyl (Standard Model)	1
23	06922	(10000000- 20000000 )	Screw, Pan, Phl, M3 X 0.50 X 20, 4.8	2

▽ ASSEMBLY

▲ INCLUDED IN ASSEMBLY

HANDLE GROUP, PRO-MEMBRANE, PROPEL, ACTUATED DOWN PRESSURE

355324



**HANDLE GROUP, PRO-MEMBRANE, PROPEL, ACTUATED DOWN PRESSURE**

Ref.	Part No.	Serial Number	Description	Qty.
▽	1	9014133*	(10000000- 20000000 ) Bezel Kit, Propel, Promembrane, Ci[T300] (Kit Includes Circuitboard)	1
▲▽	2	9014139	(10000000- 20000000 ) Screen Kit, Propel, Pro- Membrn, Ci[T300]	1
▲▲	3	1245824	(xxxxxxx- 20000000 ) Gasket, Console	1
▲▲	4	1205618	(10000000- 20000000 ) Cap, Usb	1
▲	5	1071235	(10000000- 20000000 ) Cable [Usb, 2m, A- Male To Mini- B- Male]	1
	6	1256757	(11009138- 20000000 ) Potentiometer [100k, 1 Turn, Multi- Mach]	1
	6	1246392	(10947955- 11009137 ) Potentiometer [100k, 1 Turn, Multi- Mach] (Replaced By 1256757)	1
	6	1204930	(10000000- 10947954 ) Potentiometer [100k, 1 Turn, B5/B7] (Replaced By 1256757)	1
	7	1209730	(10000000- 20000000 ) Cap, Toggle, Direction	1
	8	1209673	(10000000- 20000000 ) Switch Assy, Toggle, Direction	1
	9	1203787	(10000000- 20000000 ) Housing, Handle, Cntrl, Top	1
	10	1063909	(xxxxxxx- 20000000 ) Seal, Afmkt, Rbr, Clsd, Adh, 01ft	1
	11	1205143	(10000000- 20000000 ) Shaft Assy, Bail, Handle	1
	12	1205323	(10000000- 20000000 ) Switch, 0.1a, Spdt [Micro, Straight]	1
	13	1205781	(10000000- 20000000 ) Spring, Return, Bail	1
	14	1205799	(10000000- 20000000 ) Screw, Btn, M5 X 0.8 X 16, 8.8, NI, Torx	2
	15	1205778	(10000000- 20000000 ) Handle, Bail [Machined]	1
	16	1207004	(10000000- 20000000 ) Cover, Handle, Cntrl	1
	17	1234365	(10000000- 20000000 ) Dial, Range, Speed	1
	18	1020341	(10000000- 10795904 ) Screw, Hex, M8 X 1.25 X 20, Ss, Sems	2
	19	1020280	(10000000- 20000000 ) Seal, Afmkt, Rbr, Clsd, Adh, 01ft	1
	20	1215863	(10795905- 20000000 ) Screw, Pan, Torx, M8 X 3.5 X 25[Remform]	2
	21	140027	(10795905- 20000000 ) Washer, Flat, 0.35b 0.75d .04, Ss	2
	22	1043573	(10000000- 20000000 ) Screw, #10- 14 X 0.675, Spl[Shcs,Selftap]	15
	23	1222608	(10000000- 20000000 ) Housing, Handle, Cntrl, Bottom, Slotted	1
	N/S	1072524	(10000000- 20000000 ) Harness, Ele [Bail Switch]	1

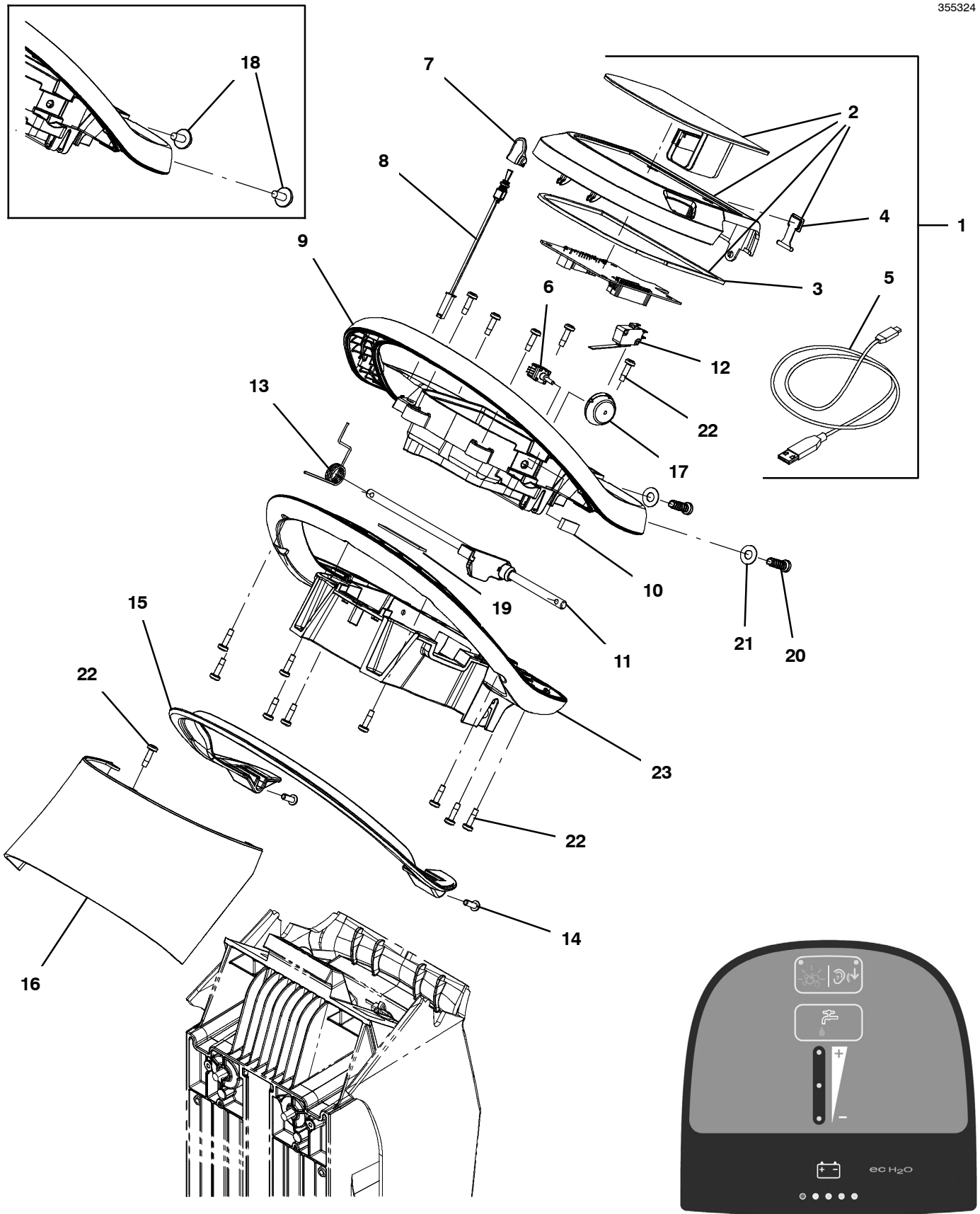
**\* Requires Tennant *True* service or an authorized Tennant service provider.**

▽ ASSEMBLY

▲ INCLUDED IN ASSEMBLY

HANDLE GROUP, MEMBRANE, PROPEL, MANUAL DOWN PRESSURE

355324



## HANDLE GROUP, MEMBRANE, PROPEL, MANUAL DOWN PRESSURE

Ref.	Part No.	Serial Number	Description	Qty.
▽	1	9014815*	(10000000- 20000000 ) Bezel Kit, Propel, Membrane,Std,Ci[T300] (Kit Includes Circuitboard)	1
▲▽	2	9014817	(10000000- 20000000 ) Screen Kit, Propel,Membrane,Std,Ci[T300]	1
▲▲	3	1245824	(xxxxxxx- 20000000 ) Gasket, Console	1
▲▲	4	1205618	(10000000- 20000000 ) Cap, Usb	1
▲	5	1071235	(10000000- 20000000 ) Cable [Usb, 2m, A- Male To Mini- B- Male]	1
	6	1256757	(11009138- 20000000 ) Potentiometer [100k, 1 Turn, Multi- Mach]	1
	6	1246392	(10947955- 11009137 ) Potentiometer [100k, 1 Turn, Multi- Mach] (Replaced By 1256757)	1
	6	1204930	(10000000- 10947954 ) Potentiometer [100k, 1 Turn, B5/B7] (Replaced By 1256757)	1
	7	1209730	(10000000- 20000000 ) Cap, Toggle, Direction	1
	8	1209673	(10000000- 20000000 ) Switch Assy, Toggle, Direction	1
	9	1203787	(10000000- 20000000 ) Housing, Handle, Cntrl, Top	1
	10	1063909	(xxxxxxx- 20000000 ) Seal, Afmkt, Rbr, Clsd, Adh, 01ft	1
	11	1205143	(10000000- 20000000 ) Shaft Assy, Bail, Handle	1
	12	1205323	(10000000- 20000000 ) Switch, 0.1a, Spdt [Micro, Straight]	1
	13	1205781	(10000000- 20000000 ) Spring, Return, Bail	1
	14	1205799	(10000000- 20000000 ) Screw, Btn, M5 X 0.8 X 16, 8.8, NI, Torx	2
	15	1205778	(10000000- 20000000 ) Handle, Bail [Machined]	1
	16	1207004	(10000000- 20000000 ) Cover, Handle, Cntrl	1
	17	1234365	(10000000- 20000000 ) Dial, Range, Speed	1
	18	1020341	(10000000- 10795904 ) Screw, Hex, M8 X 1.25 X 20, Ss, Sems	2
	19	1020280	(10000000- 20000000 ) Seal, Afmkt, Rbr, Clsd, Adh, 01ft	1
	20	1215863	(10795905- 20000000 ) Screw, Pan, Torx, M8 X 3.5 X 25[Remform]	2
	21	140027	(10795905- 20000000 ) Washer, Flat, 0.35b 0.75d .04, Ss	2
	22	1043573	(10000000- 20000000 ) Screw, #10- 14 X 0.675, Spl[Shcs,Selftap]	15
	23	1222608	(10000000- 20000000 ) Housing, Handle, Cntrl, Bottom, Slotted	1
	N/S	1072524	(10000000- 20000000 ) Harness, Ele [Bail Switch]	1

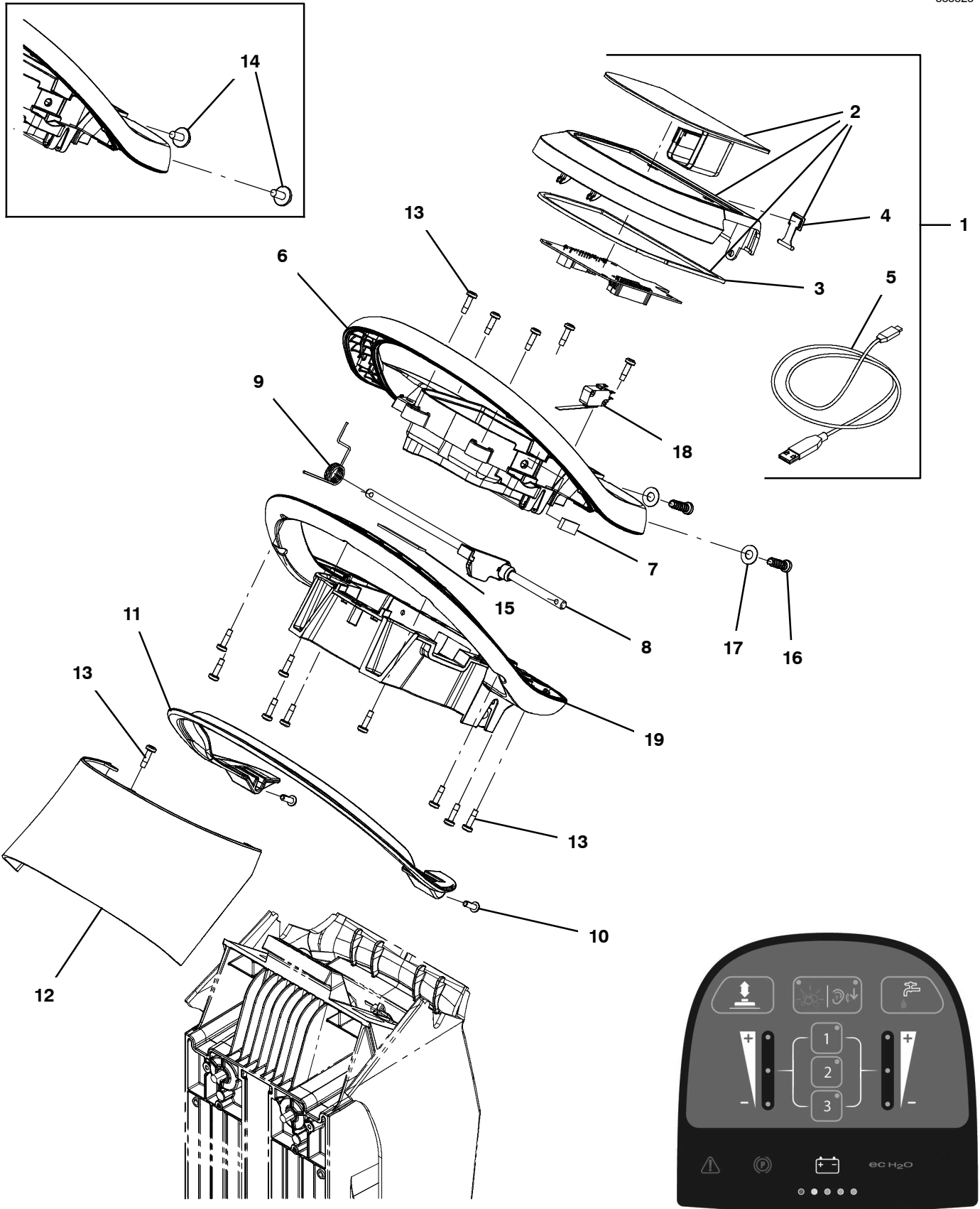
\* Requires Tennant *True* service or an authorized Tennant service provider.

▽ ASSEMBLY

▲ INCLUDED IN ASSEMBLY

HANDLE GROUP, PRO-MEMBRANE, PUSH, ACTUATED DOWN PRESSURE

355325





## HANDLE GROUP, PRO-MEMBRANE, PUSH, ACTUATED DOWN PRESSURE

Ref.	Part No.	Serial Number	Description	Qty.
▽	1	9014132*	(10000000- 20000000 ) Bezel Kit, Push, Pro- Membrane, Ci [T300] (Kit Includes Circuitboard)	1
▲▽	2	9014138	(10000000- 20000000 ) Screen Kit, Push, Pro- Membrn, Ci[T300]	1
▲▲	3	1245824	(xxxxxxx- 20000000 ) Gasket, Console	1
▲▲	4	1205618	(10000000- 20000000 ) Cap, Usb	1
▲	5	1071235	(10000000- 20000000 ) Cable [Usb, 2m, A- Male To Mini- B- Male]	1
	6	1203787	(10000000- 20000000 ) Housing, Handle, Cntrl, Top	1
	7	1063909	(xxxxxxx- 20000000 ) Seal, Afmkt, Rbr, Clsd, Adh, 01ft	1
	8	1205143	(10000000- 20000000 ) Shaft Assy, Bail, Handle	1
	9	1205781	(10000000- 20000000 ) Spring, Return, Bail	1
	10	1205799	(10000000- 20000000 ) Screw, Btn, M5 X 0.8 X 16, 8.8, NI, Torx	2
	11	1205778	(10000000- 20000000 ) Handle, Bail [Machined]	1
	12	1207004	(10000000- 20000000 ) Cover, Handle, Cntrl	1
	13	1043573	(10000000- 20000000 ) Screw, #10- 14 X 0.675, Spl[Shcs,Selftap]	15
	14	1020341	(10000000- 10795904 ) Screw, Hex, M8 X 1.25 X 20, Ss, Sems	2
	15	1020280	(10000000- 20000000 ) Seal, Afmkt, Rbr, Clsd, Adh, 01ft	1
	16	1215863	(10795905- 20000000 ) Screw, Pan, Torx, M8 X 3.5 X 25[Remform]	2
	17	140027	(10795905- 20000000 ) Washer, Flat, 0.35b 0.75d .04, Ss	2
	18	1205323	(10000000- 20000000 ) Switch, 0.1a, Spdt [Micro, Straight]	1
	19	1222608	(10000000- 20000000 ) Housing, Handle, Cntrl, Bottom, Slotted	1
	N/S	1072524	(10000000- 20000000 ) Harness, Ele [Bail Switch]	1

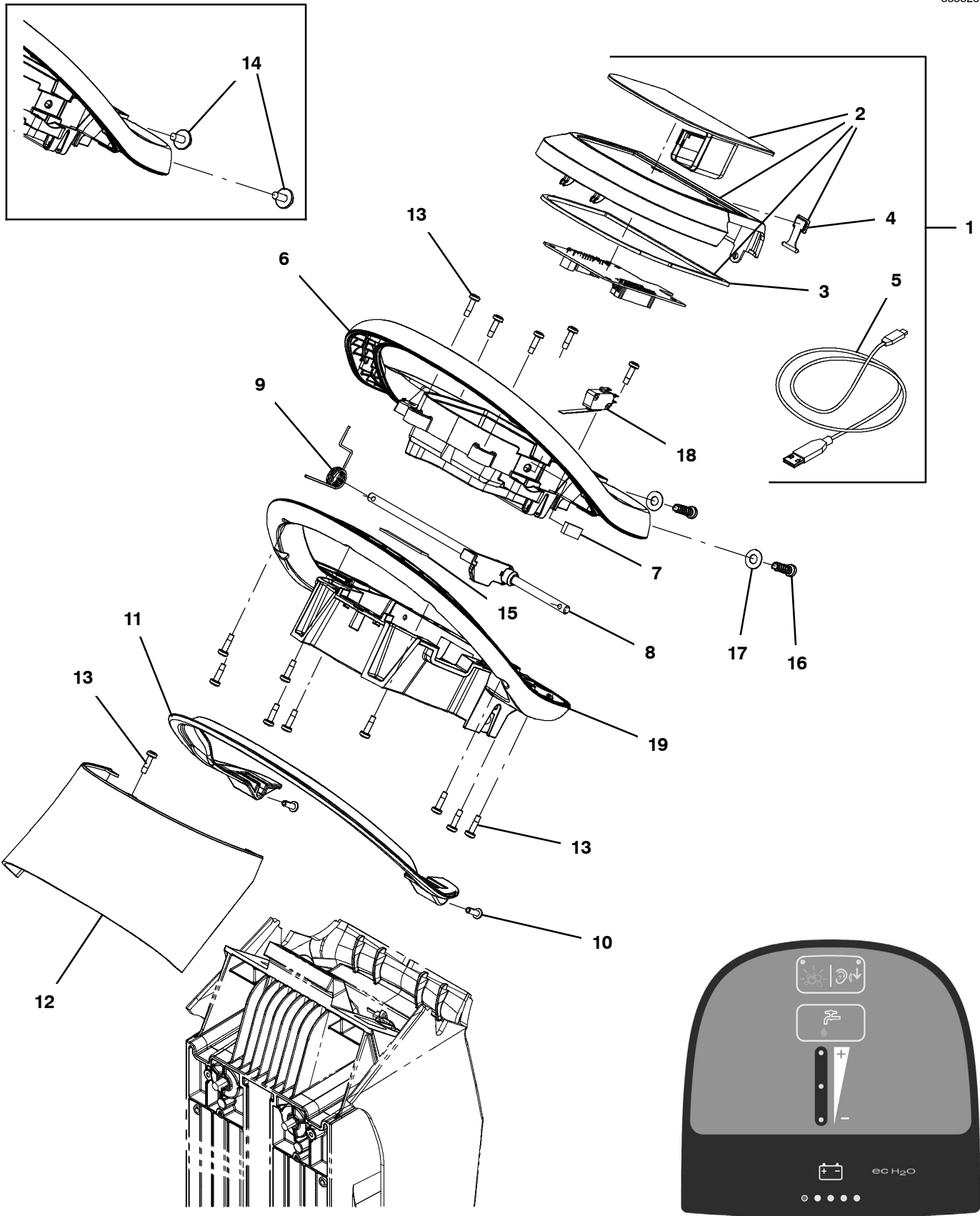
\* Requires Tennant *True* service or an authorized Tennant service provider.

▽ ASSEMBLY

▲ INCLUDED IN ASSEMBLY

HANDLE GROUP, MEMBRANE, PUSH, MANUAL DOWN PRESSURE

355325



## HANDLE GROUP, MEMBRANE, PUSH, MANUAL DOWN PRESSURE

Ref.	Part No.	Serial Number	Description	Qty.
▽	1	9014814*	(10000000- 20000000 ) Bezel Kit, Push, Membrane, Std, Ci[T300] (Kit Includes Circuitboard)	1
▲▽	2	9014816	(10000000- 20000000 ) Screen Kit, Push, Membrane, Std,Ci[T300]	1
▲▲	3	1245824	(xxxxxxx- 20000000 ) Gasket, Console	1
▲▲	4	1205618	(10000000- 20000000 ) Cap, Usb	1
▲	5	1071235	(10000000- 20000000 ) Cable [Usb, 2m, A- Male To Mini- B- Male]	1
	6	1203787	(10000000- 20000000 ) Housing, Handle, Cntrl, Top	1
	7	1063909	(xxxxxxx- 20000000 ) Seal, Afmkt, Rbr, Clsd, Adh, 01ft	1
	8	1205143	(10000000- 20000000 ) Shaft Assy, Bail, Handle	1
	9	1205781	(10000000- 20000000 ) Spring, Return, Bail	1
	10	1205799	(10000000- 20000000 ) Screw, Btn, M5 X 0.8 X 16, 8.8, NI, Torx	2
	11	1205778	(10000000- 20000000 ) Handle, Bail [Machined]	1
	12	1207004	(10000000- 20000000 ) Cover, Handle, Cntrl	1
	13	1043573	(10000000- 20000000 ) Screw, #10- 14 X 0.675, Spl[Shcs,Selftap]	15
	14	1020341	(10000000- 10795904 ) Screw, Hex, M8 X 1.25 X 20, Ss, Sems	2
	15	1020280	(10000000- 20000000 ) Seal, Afmkt, Rbr, Clsd, Adh, 01ft	1
	16	1215863	(10795905- 20000000 ) Screw, Pan, Torx, M8 X 3.5 X 25[Remform]	2
	17	140027	(10795905- 20000000 ) Washer, Flat, 0.35b 0.75d .04, Ss	2
	18	1205323	(10000000- 20000000 ) Switch, 0.1a, Spdt [Micro, Straight]	1
	19	1222608	(10000000- 20000000 ) Housing, Handle, Cntrl, Bottom, Slotted	1
	N/S	1072524	(10000000- 20000000 ) Harness, Ele [Bail Switch]	1

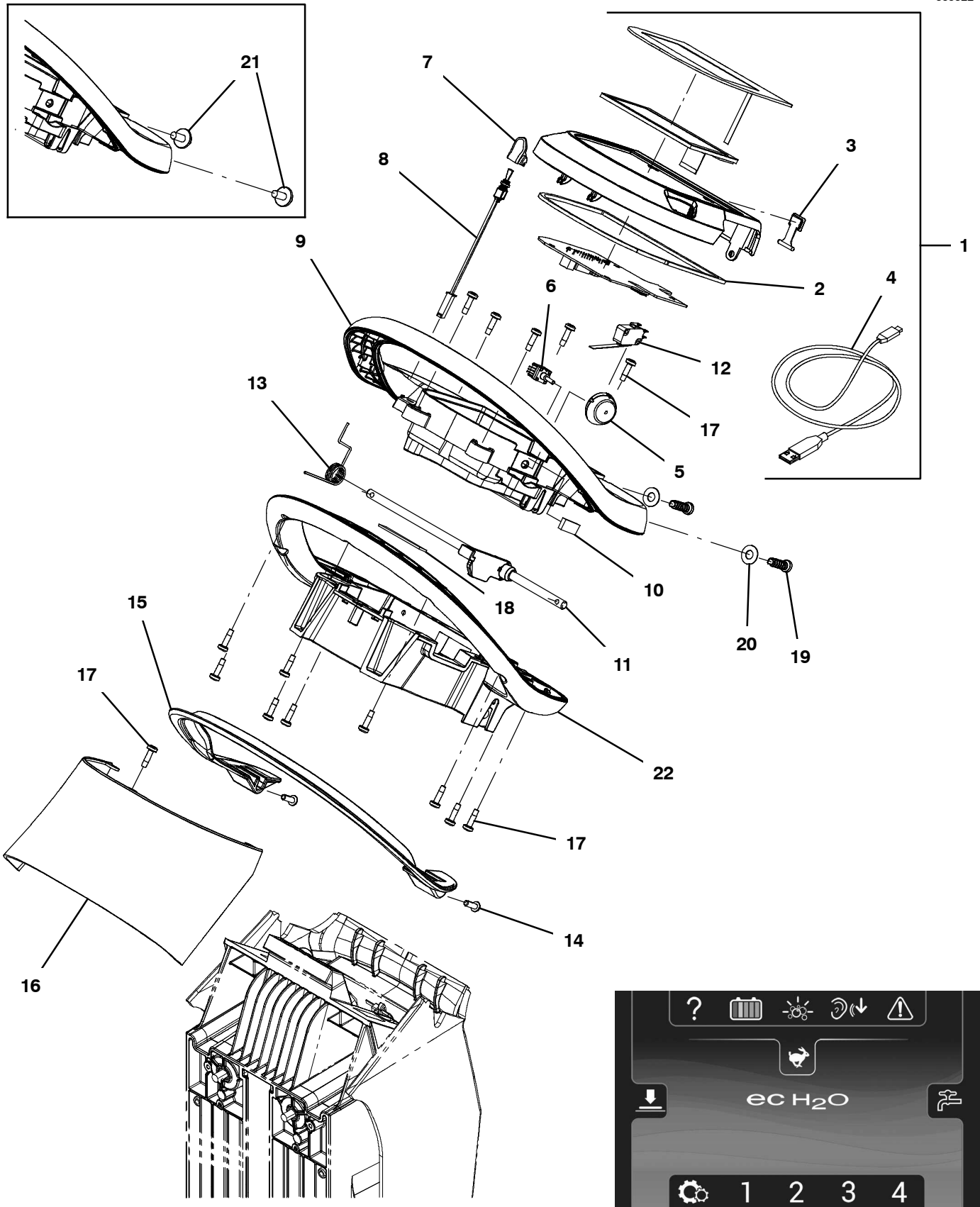
\* Requires Tennant *True* service or an authorized Tennant service provider.

▽ ASSEMBLY

▲ INCLUDED IN ASSEMBLY

HANDLE GROUP, PRO-PANEL (LCD), PROPEL

355322



## HANDLE GROUP, PRO-PANEL (LCD), PROPEL

Ref.	Part No.	Serial Number	Description	Qty.
▽	1	9014135*	(10000000- 20000000 ) Bezel Kit, Propel, Lcd Pro- Panl,Ci[T300] (Kit Includes Circuitboard)	1
▲	2	1245824	(xxxxxxx- 20000000 ) Gasket, Console	1
▲	3	1205618	(10000000- 20000000 ) Cap, Usb	1
▲	4	1071235	(10000000- 20000000 ) Cable [Usb, 2m, A- Male To Mini- B- Male]	1
	5	1234365	(10000000- 20000000 ) Dial, Range, Speed	1
	6	1256757	(11009138- 20000000 ) Potentiometer [100k, 1 Turn, Multi- Mach]	1
	6	1246392	(10947955- 11009137 ) Potentiometer [100k, 1 Turn, Multi- Mach] (Replaced By 1256757)	1
	6	1204930	(10000000- 10947954 ) Potentiometer [100k, 1 Turn, B5/B7] (Replaced By 1256757)	1
	7	1209730	(10000000- 20000000 ) Cap, Toggle, Direction	1
	8	1209673	(10000000- 20000000 ) Switch Assy, Toggle, Direction	1
	9	1203787	(10000000- 20000000 ) Housing, Handle, Cntrl, Top	1
	10	1063909	(xxxxxxx- 20000000 ) Seal, Afmkt, Rbr, Clsd, Adh, 01ft	1
	11	1205143	(10000000- 20000000 ) Shaft Assy, Bail, Handle	1
	12	1205323	(10000000- 20000000 ) Switch, 0.1a, Spdt [Micro, Straight]	1
	13	1205781	(10000000- 20000000 ) Spring, Return, Bail	1
	14	1205799	(10000000- 20000000 ) Screw, Btn, M5 X 0.8 X 16, 8.8, NI, Torx	2
	15	1205778	(10000000- 20000000 ) Handle, Bail [Machined]	1
	16	1207004	(10000000- 20000000 ) Cover, Handle, Cntrl	1
	17	1043573	(10000000- 20000000 ) Screw, #10- 14 X 0.675, Spl[Shcs,Selftap]	15
	18	1020280	(10000000- 20000000 ) Seal, Afmkt, Rbr, Clsd, Adh, 01ft	1
	19	1215863	(10795905- 20000000 ) Screw, Pan, Torx, M8 X 3.5 X 25[Remform]	2
	20	140027	(10795905- 20000000 ) Washer, Flat, 0.35b 0.75d .04, Ss	2
	21	1020341	(10000000- 10795904 ) Screw, Hex, M8 X 1.25 X 20, Ss, Sems	2
	22	1222608	(10000000- 20000000 ) Housing, Handle, Cntrl, Bottom, Slotted	1
	N/S	1072524	(10000000- 20000000 ) Harness, Ele [Bail Switch]	1

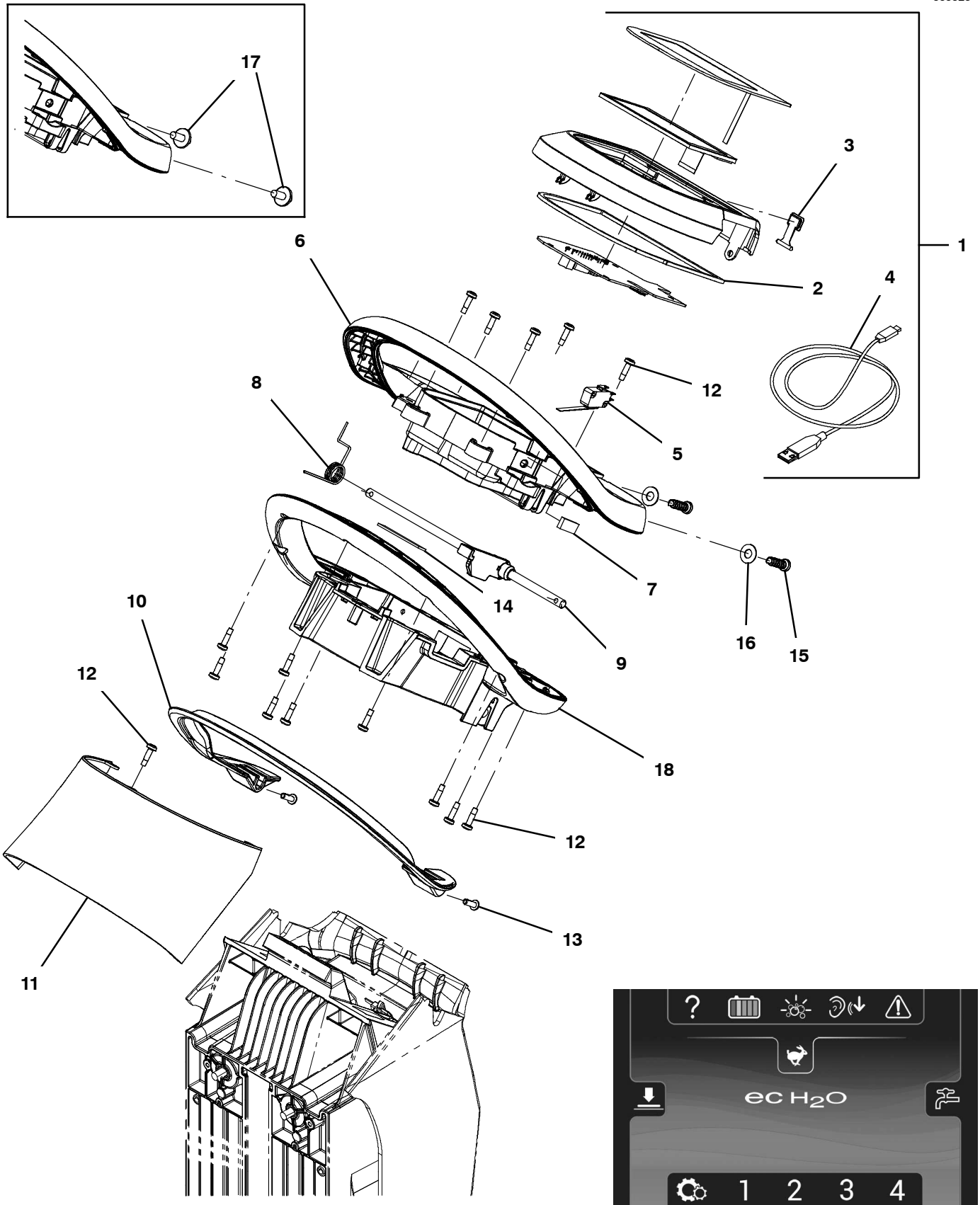
\* Requires Tennant *True* service or an authorized Tennant service provider.

▽ ASSEMBLY

▲ INCLUDED IN ASSEMBLY

HANDLE GROUP, PRO-PANEL (LCD), PUSH

355323



## HANDLE GROUP, PRO-PANEL (LCD), PUSH

Ref.	Part No.	Serial Number	Description	Qty.
▽	1	9014134*	(10000000- 20000000 ) Bezel Kit, Push, Lcd Pro- Panl, Ci [T300] (Kit Includes Circuitboard)	1
▲	2	1245824	(xxxxxxx- 20000000 ) Gasket, Console	1
▲	3	1205618	(10000000- 20000000 ) Cap, Usb	1
▲	4	1071235	(10000000- 20000000 ) Cable [Usb, 2m, A- Male To Mini- B- Male]	1
	5	1205323	(10000000- 20000000 ) Switch, 0.1a, Spdt [Micro, Straight]	1
	6	1203787	(10000000- 20000000 ) Housing, Handle, Cntrl, Top	1
	7	1063909	(xxxxxxx- 20000000 ) Seal, Afmkt, Rbr, Clsd, Adh, 01ft	1
	8	1205781	(10000000- 20000000 ) Spring, Return, Bail	1
	9	1205143	(10000000- 20000000 ) Shaft Assy, Bail, Handle	1
	10	1205778	(10000000- 20000000 ) Handle, Bail [Machined]	1
	11	1207004	(10000000- 20000000 ) Cover, Handle, Cntrl	1
	12	1043573	(10000000- 20000000 ) Screw, #10- 14 X 0.675, Spl[Shcs,Selftap]	15
	13	1205799	(10000000- 20000000 ) Screw, Btn, M5 X 0.8 X 16, 8.8, NI, Torx	2
	14	1020280	(10000000- 20000000 ) Seal, Afmkt, Rbr, Clsd, Adh, 01ft	1
	15	1215863	(10795905- 20000000 ) Screw, Pan, Torx, M8 X 3.5 X 25[Remform]	2
	16	140027	(10795905- 20000000 ) Washer, Flat, 0.35b 0.75d .04, Ss	2
	17	1020341	(10000000- 10795904 ) Screw, Hex, M8 X 1.25 X 20, Ss, Sems	2
	18	1222608	(10000000- 20000000 ) Housing, Handle, Cntrl, Bottom, Slotted	1
	N/S	1072524	(10000000- 20000000 ) Harness, Ele [Bail Switch]	1

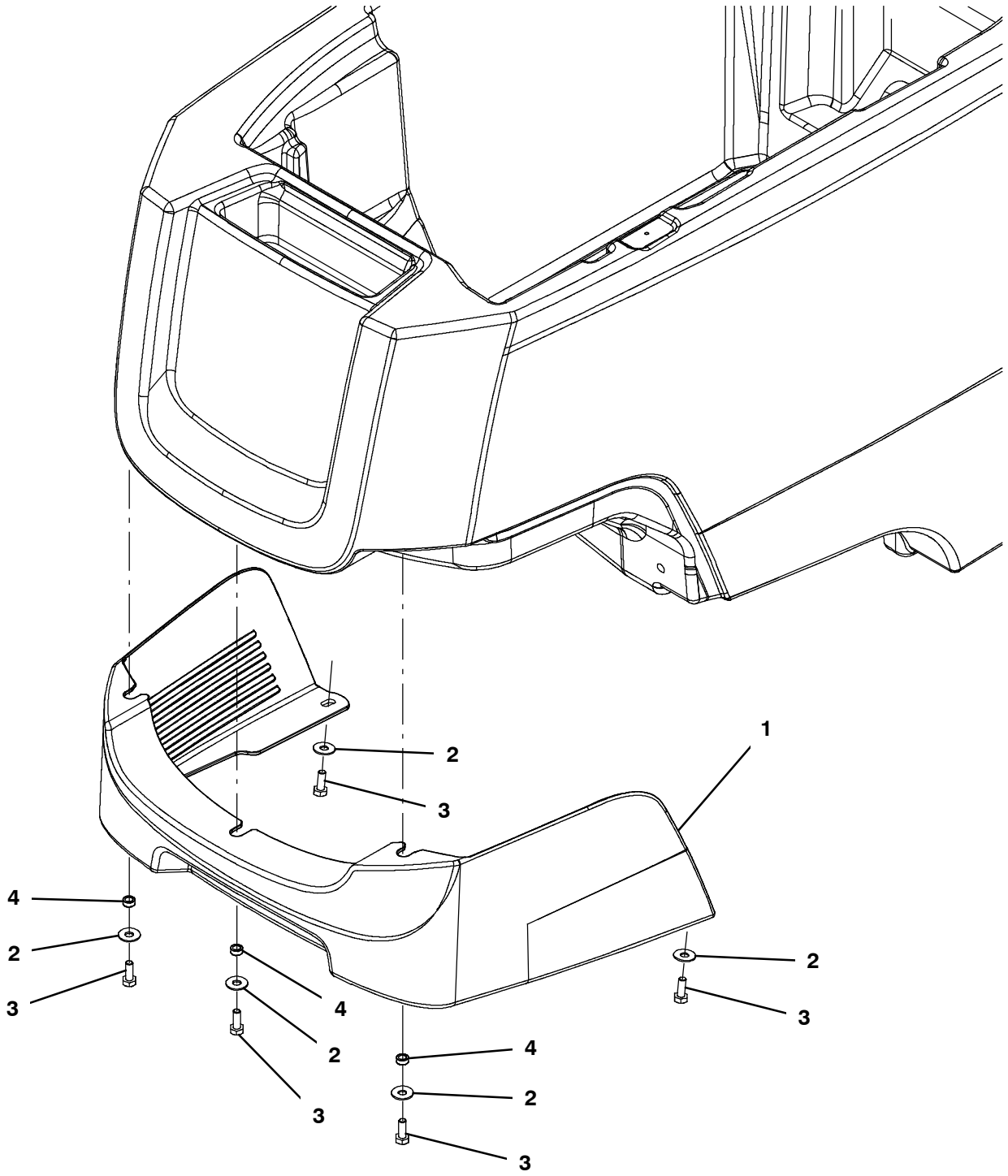
\* Requires Tennant *True* service or an authorized Tennant service provider.

▽ ASSEMBLY

▲ INCLUDED IN ASSEMBLY

SHROUD GROUP, DISK AND ORBITAL HEAD

355299



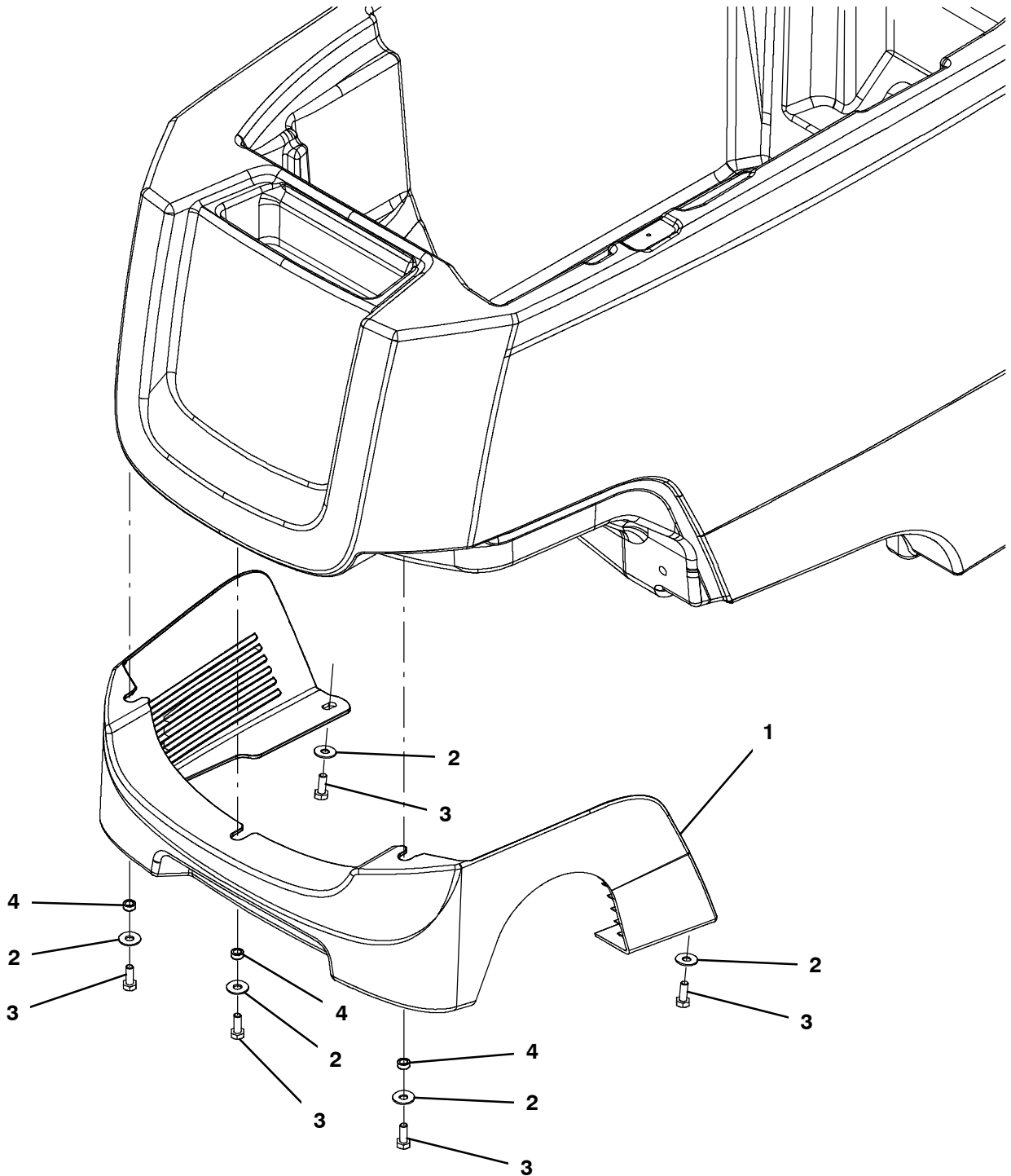


## SHROUD GROUP, DISK AND ORBITAL HEAD

Ref.	Part No.	Serial Number	Description	Qty.
1	1210029	(10000000- 20000000 )	Cover, Head, Disk, Im- Hg [T300]	1
2	01684	(10000000- 20000000 )	Washer, Flat, 0.27b 0.69d .05, Ss	5
3	11329	(10000000- 20000000 )	Screw, Hex, M6 X 1.00 X 16, NI, Ss	5
4	80491	(10000000- 20000000 )	Sleeve, P/M, 0.25b 0.38d 0.2l [430ss]	3

SHROUD GROUP, CYLINDRICAL HEAD

355300



## SHROUD GROUP, CYLINDRICAL HEAD

Ref.	Part No.	Serial Number	Description	Qty.
1	1213570	(10000000- 20000000 )	Cover, Head, Cylrcl, Im- Hg [T300]	1
2	01684	(10000000- 20000000 )	Washer, Flat, 0.27b 0.69d .05, Ss	5
3	11329	(10000000- 20000000 )	Screw, Hex, M6 X 1.00 X 16, NI, Ss	5
4	80491	(10000000- 20000000 )	Sleeve, P/M, 0.25b 0.38d 0.2l [430ss]	3

▽ ASSEMBLY

▲ INCLUDED IN ASSEMBLY



## SCRUB HEAD LIFT GROUP, 43CM DISK MODEL

Ref.	Part No.	Serial Number	Description	Qty.
1	222504	(10778394- 20000000 )	Screw, Hex, M8 X 1.25 X 55, Ss	1
2	1028796	(10778394- 20000000 )	Washer, Flat, 0.33b 1.00d .18, Stl, Pl	2
3	1014020	(10778394- 20000000 )	Roller, 0.99d 0.50b 0.95l, Acetal	1
4	1034731	(10000000- 20000000 )	Screw, Hex, M6 X 1.00 X 16, Sems, Ss	2
5	1213063	(10000000- 20000000 )	Bracket, Guide, Head [Vw]	1
6	1032420	(10000000- 20000000 )	Spring, Extn, 0.85od 0.09wir 02.9l	1
▽	7	9016811	(10887017- 20000000 ) Kit, Lift, Head, Ci [T300/T300e/Ss300]	1
▲	8	630188	(10000000- 20000000 ) Bearing, Journal, .50id X .25l	8
▽	7	9014170	(10000000- 10887016 ) Kit, Lift, Head[T300/T300e/Ss300] (Replaced by 9016811)	1
▲	8	630188	(10000000- 20000000 ) Bearing, Journal, .50id X .25l	8
9	1209093	(10000000- 10757507 )	Cover, Pedal (Replaced by 1218694)	1
10	1043573	(10000000- 10757507 )	Screw, #10- 14 X 0.675, Spl[Shcs,Selftap]	2
11	09011	(10000000- 20000000 )	Screw, Hex, M8 X 1.25 X 30, Ss	2
12	1013936	(10000000- 20000000 )	Washer, Flat, 0.51b 0.94d .10, Nyl	8
13	222460	(10000000- 20000000 )	Sleeve, P/M, 0.32b 0.50d 0.5l [430ss]	7
14	08713	(10000000- 20000000 )	Nut, Hex, Lock, M8 X 1.25, NI, Ss	4
15	1235108	(10000000- JAN2020 )	Bolt, Carriage, M8 X 1.25 X 90, Fl	1
16	200101017	(10000000- JAN2020 )	Nut, Hex, Jam, M8 X 1.25	1
17	1016399	(10000000- 20000000 )	Screw, Hex, M8 X 1.25 X 30, NI, Ss	2
18	01685	(10000000- 20000000 )	Washer, Flat, 0.38b 0.88d .08, Ss	8
19	1014163	(10000000- 20000000 )	Screw, Hex, M8 X 1.25 X 60, Fl, Ss	1
20	140430	(10000000- 20000000 )	Spring, Cmpr, 0.70od .10wir 01.7l	1
21	140127	(10000000- 20000000 )	Washer, Thrust, 0.51b 1.00d 0.12w, Brz	2
22	1210258	(10000000- 20000000 )	Bracket Wldt, Head Mtg, 43d/50d, Short	1
23	12333	(10000000- 20000000 )	Screw, Hex, M8 X 1.25 X 25, Ss, NI	4
24	1223982	(10802498- 20000000 )	Spacer, Head, 4mm	1
25	1223962	(10802498- 20000000 )	Bracket Wldt, Mtg, Head, 43d/50d, Tall	1
26	1218694	(10757508- 20000000 )	Pad, Pedal, Lift	1
27	222460	(10778394- 20000000 )	Sleeve, P/M, 0.32b 0.50d 0.5l [430ss]	2
28	49694	(10000000- 10778393 )	Screw, Hex, M8 X 1.25 X 50, Ss	1
29	01685	(10000000- 10778393 )	Washer, Flat, 0.38b 0.88d .08, Ss	1
30	1214039	(10000000- 10778393 )	Roller, Lift, Head	1
31	1032791	(10000000- 10802497 )	Spacer, Head, 4mm [Ss3] (Push Model)	1
32	1210256	(10000000- 10802497 )	Bracket Wldt, Mtg, Head, 50d, Tall [Vw] (Replaced By 1223962)	1

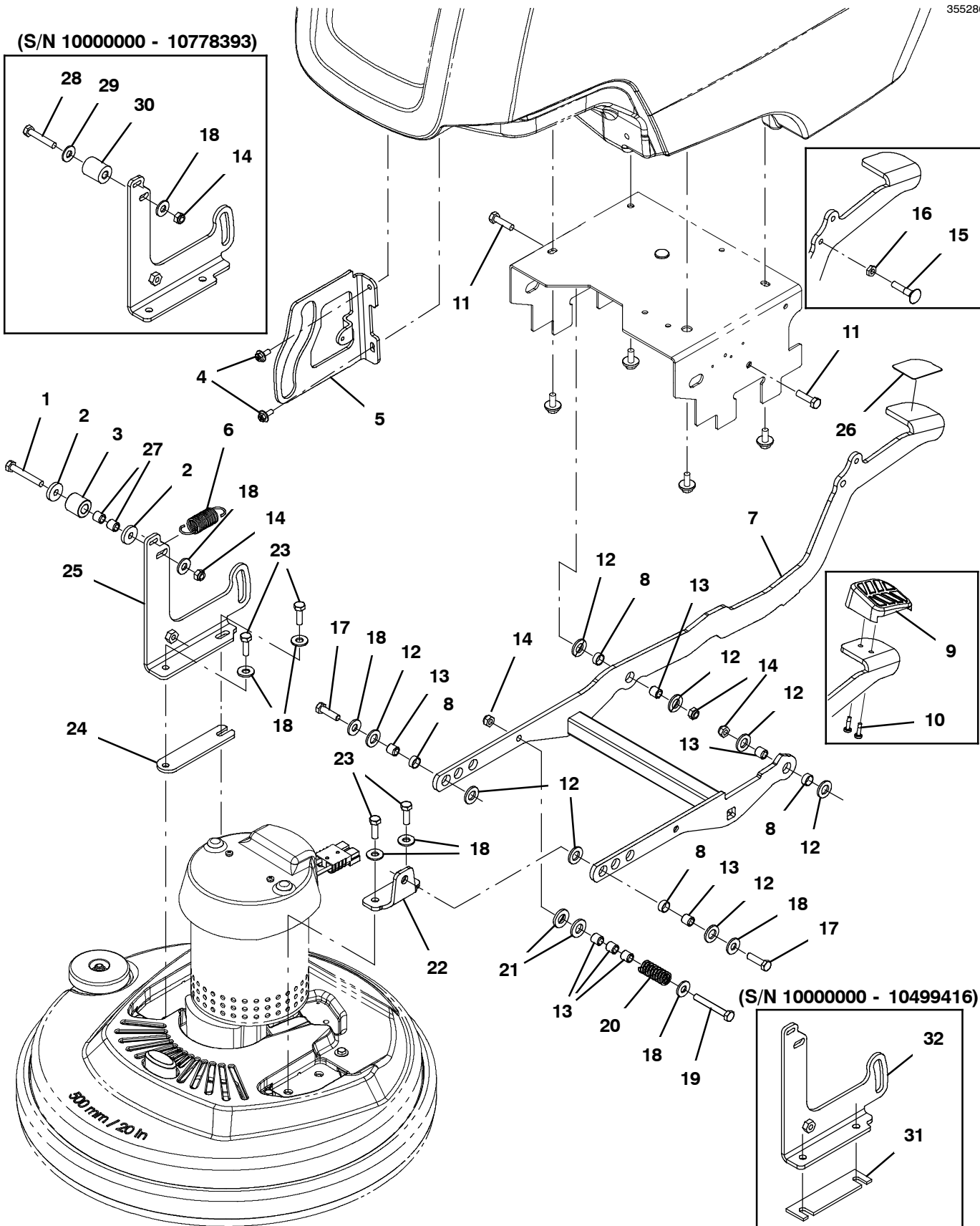
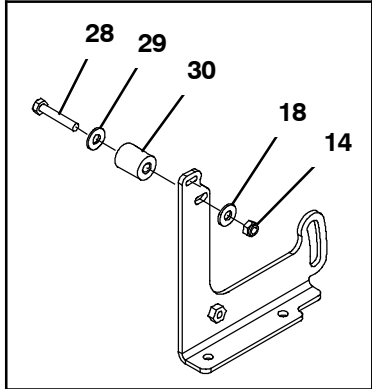
▽ ASSEMBLY

▲ INCLUDED IN ASSEMBLY

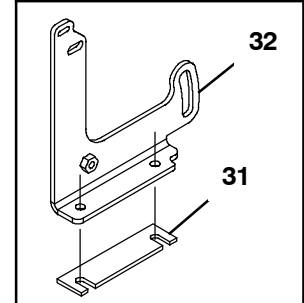
SCRUB HEAD LIFT GROUP, 50CM DISK MODEL

355286

(S/N 1000000 - 10778393)



(S/N 1000000 - 10499416)



## SCRUB HEAD LIFT GROUP, 50CM DISK MODEL

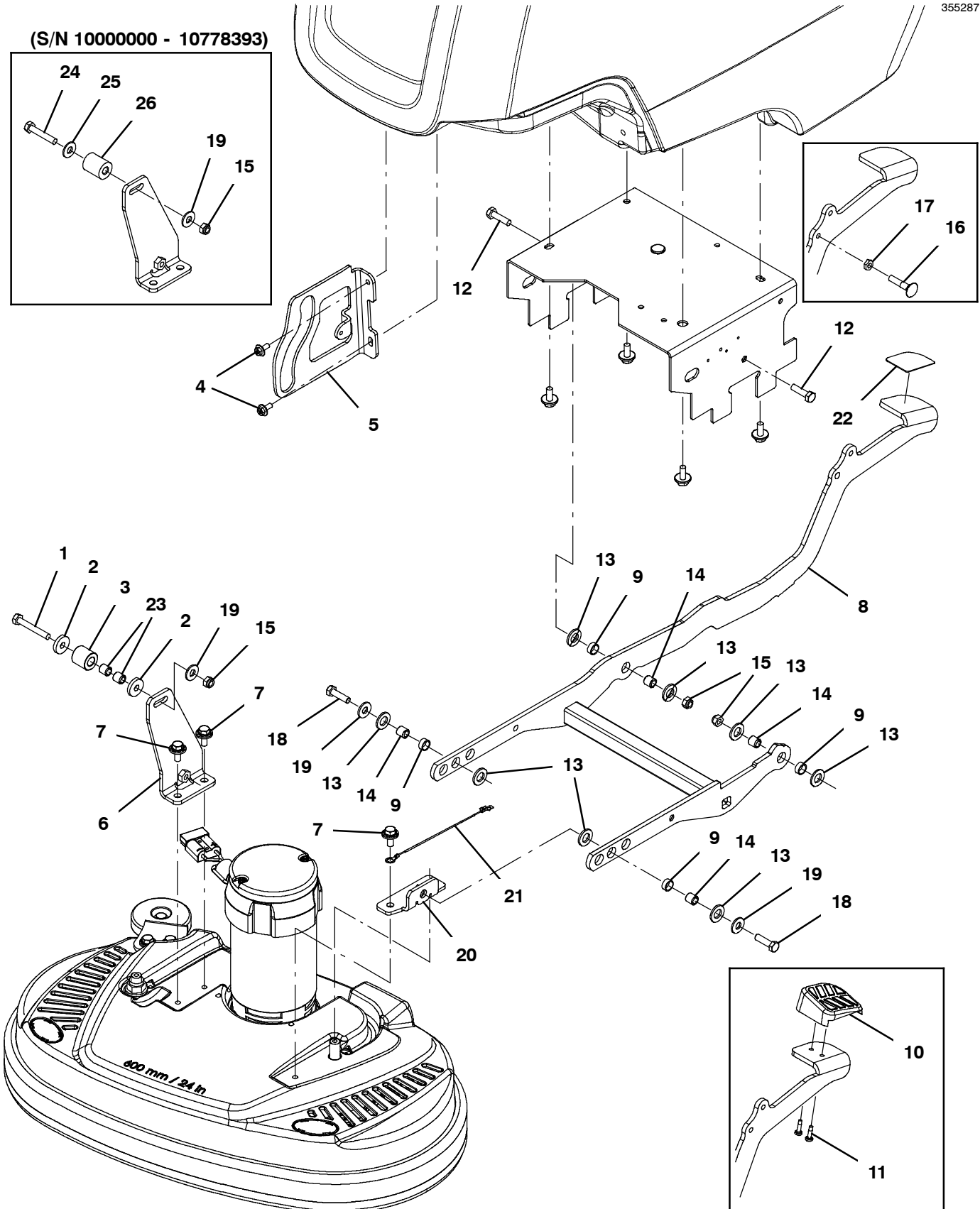
Ref.	Part No.	Serial Number	Description	Qty.
1	222504	(10778394- 20000000 )	Screw, Hex, M8 X 1.25 X 55, Ss	1
2	1028796	(10778394- 20000000 )	Washer, Flat, 0.33b 1.00d .18, Stl, Pl	2
3	1014020	(10778394- 20000000 )	Roller, 0.99d 0.50b 0.95l, Acetal	1
4	1034731	(10000000- 20000000 )	Screw, Hex, M6 X 1.00 X 16, Sems, Ss	2
5	1213063	(10000000- 20000000 )	Bracket, Guide, Head [Vw]	1
6	1032420	(10000000- 20000000 )	Spring, Extn, 0.85od 0.09wir 02.9l	1
▽	7	9016811	(10887017- 20000000 ) Kit, Lift, Head, Ci [T300/T300e/Ss300]	1
▲	8	630188	(10000000- 20000000 ) Bearing, Journal, .50id X .25l	8
▽	7	9014170	(10000000- 10887016 ) Kit, Lift, Head[T300/T300e/Ss300] (Replaced by 9016811)	1
▲	8	630188	(10000000- 20000000 ) Bearing, Journal, .50id X .25l	8
9	1209093	(10000000- 10757507 )	Cover, Pedal (Replaced by 1218694)	1
10	1043573	(10000000- 10757507 )	Screw, #10- 14 X 0.675, Spl[Shcs,Selftap]	2
11	09011	(10000000- 20000000 )	Screw, Hex, M8 X 1.25 X 30, Ss	2
12	1013936	(10000000- 20000000 )	Washer, Flat, 0.51b 0.94d .10, Nyl	8
13	222460	(10000000- 20000000 )	Sleeve, P/M, 0.32b 0.50d 0.5l [430ss]	7
14	08713	(10000000- 20000000 )	Nut, Hex, Lock, M8 X 1.25, NI, Ss	4
15	1235108	(10000000- JAN2020 )	Bolt, Carriage, M8 X 1.25 X 90, Fl	1
16	200101017	(10000000- JAN2020 )	Nut, Hex, Jam, M8 X 1.25	1
17	1016399	(10000000- 20000000 )	Screw, Hex, M8 X 1.25 X 30, NI, Ss	2
18	01685	(10000000- 20000000 )	Washer, Flat, 0.38b 0.88d .08, Ss	8
19	1014163	(10000000- 20000000 )	Screw, Hex, M8 X 1.25 X 60, Fl, Ss	1
20	140430	(10000000- 20000000 )	Spring, Cmpr, 0.70od .10wir 01.7l	1
21	140127	(10000000- 20000000 )	Washer, Thrust, 0.51b 1.00d 0.12w, Brz	2
22	1210258	(10000000- 20000000 )	Bracket Wldt, Head Mtg, 43d/50d, Short	1
23	12333	(10000000- 20000000 )	Screw, Hex, M8 X 1.25 X 25, Ss, NI	4
24	1223982	(10499417- 20000000 )	Spacer, Head, 4mm	1
25	1223962	(10499417- 20000000 )	Bracket Wldt, Mtg, Head, 43d/50d, Tall	1
26	1218694	(10757508- 20000000 )	Pad, Pedal, Lift	1
27	222460	(10778394- 20000000 )	Sleeve, P/M, 0.32b 0.50d 0.5l [430ss]	2
28	49694	(10000000- 10778393 )	Screw, Hex, M8 X 1.25 X 50, Ss	1
29	01685	(10000000- 10778393 )	Washer, Flat, 0.38b 0.88d .08, Ss	1
30	1214039	(10000000- 10778393 )	Roller, Lift, Head	1
31	1032791	(10000000- 10499416 )	Spacer, Head, 4mm [Ss3] (Push Model)	1
32	1210256	(10000000- 10499416 )	Bracket Wldt, Mtg, Head, 50d, Tall [Vw] (Replaced By 1223962)	1

▽ ASSEMBLY

▲ INCLUDED IN ASSEMBLY

SCRUB HEAD LIFT GROUP, 60CM DUAL DISK MODEL

355287





## SCRUB HEAD LIFT GROUP, 60CM DUAL DISK MODEL

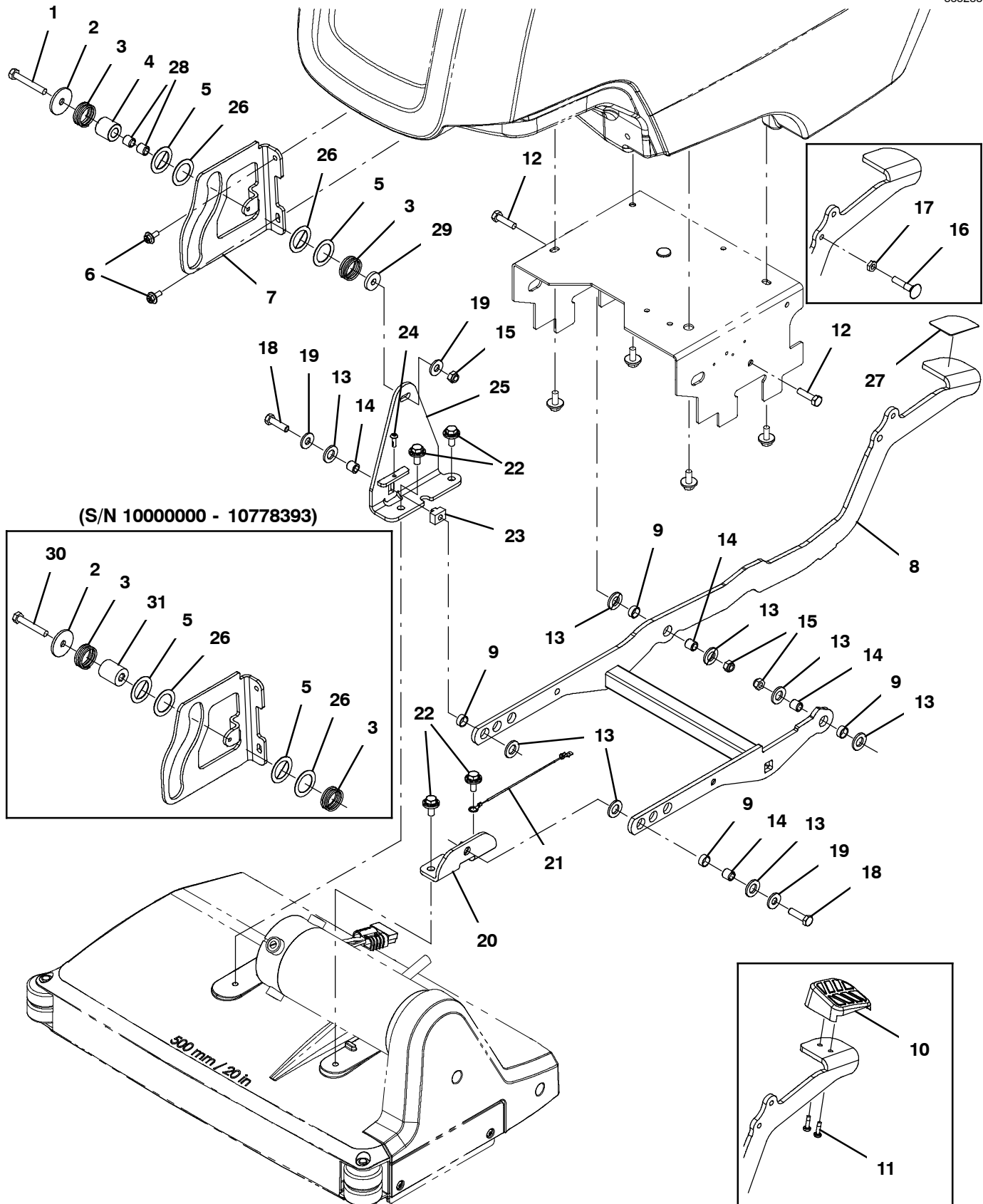
Ref.	Part No.	Serial Number	Description	Qty.
1	222504	(10778394- 20000000 )	Screw, Hex, M8 X 1.25 X 55, Ss	1
2	1028796	(10778394- 20000000 )	Washer, Flat, 0.33b 1.00d .18, Stl, Pl	2
3	1014020	(10778394- 20000000 )	Roller, 0.99d 0.50b 0.95l, Acetal	1
4	1034731	(10000000- 20000000 )	Screw, Hex, M6 X 1.00 X 16, Sems, Ss	2
5	1213063	(10000000- 20000000 )	Bracket, Guide, Head [Vw]	1
6	1213220	(10000000- 20000000 )	Bracket Wldt, Mtg, Head, 60dd, Tall [Vw]	1
7	1020341	(10000000- 20000000 )	Screw, Hex, M8 X 1.25 X 20, Ss, Sems	3
▽	8	9016811	(10887017- 20000000 ) Kit, Lift, Head, Ci [T300/T300e/Ss300]	1
▲	9	630188	(10000000- 20000000 ) Bearing, Journal, .50id X .25l	8
▽	8	9014170	(10000000- 10887016 ) Kit, Lift, Head[T300/T300e/Ss300] (Replaced by 9016811)	1
▲	9	630188	(10000000- 20000000 ) Bearing, Journal, .50id X .25l	8
	10	1209093	(10000000- 10757507 ) Cover, Pedal (Replaced by 1218694)	1
	11	1043573	(10000000- 10757507 ) Screw, #10- 14 X 0.675, Spl[Shcs,Selftap]	2
	12	09011	(10000000- 20000000 ) Screw, Hex, M8 X 1.25 X 30, Ss	2
	13	1013936	(10000000- 20000000 ) Washer, Flat, 0.51b 0.94d .10, Nyl	8
	14	222460	(10000000- 20000000 ) Sleeve, P/M, 0.32b 0.50d 0.5l [430ss]	4
	15	08713	(10000000- 20000000 ) Nut, Hex, Lock, M8 X 1.25, NI, Ss	3
	16	1235108	(10000000- JAN2020 ) Bolt, Carriage, M8 X 1.25 X 90, Fl	1
	17	200101017	(10000000- JAN2020 ) Nut, Hex, Jam, M8 X 1.25	1
	18	1016399	(10000000- 20000000 ) Screw, Hex, M8 X 1.25 X 30, NI, Ss	2
	19	01685	(10000000- 20000000 ) Washer, Flat, 0.38b 0.88d .08, Ss	3
	20	1213224	(10000000- 20000000 ) Bracket Wldt, Mtg, Head, 60dd, Short[Vw]	1
	21	1074344	(10000000- 20000000 ) Harness, Ele [Ring With .250m Tail]	1
	22	1218694	(10757508- 20000000 ) Pad, Pedal, Lift	1
	23	222460	(10778394- 20000000 ) Sleeve, P/M, 0.32b 0.50d 0.5l [430ss]	2
	24	49694	(10000000- 10778393 ) Screw, Hex, M8 X 1.25 X 50, Ss	1
	25	01685	(10000000- 10778393 ) Washer, Flat, 0.38b 0.88d .08, Ss	1
	26	1214039	(10000000- 10778393 ) Roller, Lift, Head	1

▽ ASSEMBLY

▲ INCLUDED IN ASSEMBLY

SCRUB HEAD LIFT GROUP, 50CM CYLINDRICAL MODEL

355288



(S/N 1000000 - 10778393)

500 mm / 20 in

## SCRUB HEAD LIFT GROUP, 50CM CYLINDRICAL MODEL

Ref.	Part No.	Serial Number	Description	Qty.
1	222504	(10778394- 20000000 )	Screw, Hex, M8 X 1.25 X 55, Ss	1
2	379829	(10000000- 20000000 )	Washer, Flat, 0.34b 1.50d .12, Stl, PI	1
3	1210103	(10000000- 20000000 )	Spring, Cmpr, 1.23od 0.085wir 0.88l	2
4	1014020	(10778394- 20000000 )	Roller, 0.99d 0.50b 0.95l, Acetal	1
5	20955	(10000000- 20000000 )	Washer, Flat, 1.03b 1.50d .04, Stl, PI	2
6	1034731	(10000000- 20000000 )	Screw, Hex, M6 X 1.00 X 16, Sems, Ss	2
7	1213063	(10000000- 20000000 )	Bracket, Guide, Head [Vw]	1
▽	8	9016811	(10887017- 20000000 ) Kit, Lift, Head, Ci [T300/T300e/Ss300]	1
▲	9	630188	(10000000- 20000000 ) Bearing, Journal, .50id X .25l	8
▽	8	9014170	(10000000- 10887016 ) Kit, Lift, Head[T300/T300e/Ss300] (Replaced by 9016811)	1
▲	9	630188	(10000000- 20000000 ) Bearing, Journal, .50id X .25l	8
10	1209093	(10000000- 10757507 )	Cover, Pedal (Replaced by 1218694)	1
11	1043573	(10000000- 10757507 )	Screw, #10- 14 X 0.675, Spl[Shcs,Selftap]	2
12	09011	(10000000- 20000000 )	Screw, Hex, M8 X 1.25 X 30, Ss	2
13	1013936	(10000000- 20000000 )	Washer, Flat, 0.51b 0.94d .10, Nyl	8
14	222460	(10000000- 20000000 )	Sleeve, P/M, 0.32b 0.50d 0.5l [430ss]	4
15	08713	(10000000- 20000000 )	Nut, Hex, Lock, M8 X 1.25, NI, Ss	3
16	1235108	(10000000- JAN2020 )	Bolt, Carriage, M8 X 1.25 X 90, FI	1
17	200101017	(10000000- JAN2020 )	Nut, Hex, Jam, M8 X 1.25	1
18	1016399	(10000000- 20000000 )	Screw, Hex, M8 X 1.25 X 30, NI, Ss	2
19	01685	(10000000- 20000000 )	Washer, Flat, 0.38b 0.88d .08, Ss	3
20	1213226	(10000000- 20000000 )	Bracket Wldt, Mtg, Head, 50cyl [Short]	1
21	1074344	(10000000- 20000000 )	Harness, Ele [Ring With .250m Tail]	1
22	1020341	(10000000- 20000000 )	Screw, Hex, M8 X 1.25 X 20, Ss, Sems	4
23	1221434	(10000000- 20000000 )	Nut, T, M8 X 1.25, Pm, PI [B5/B7, T300]	1
24	1205799	(10000000- 20000000 )	Screw, Btn, M5 X 0.8 X 16, 8.8, NI, Torx	1
25	1216222	(10000000- 20000000 )	Bracket Wldt, Mtg, Head	1
26	1210112	(10000000- 20000000 )	Washer, Flat, 1.03b 1.50d .03, Nylon	2
27	1218694	(10757508- 20000000 )	Pad, Pedal, Lift	1
28	222460	(10778394- 20000000 )	Sleeve, P/M, 0.32b 0.50d 0.5l [430ss]	2
29	1028796	(10778394- 20000000 )	Washer, Flat, 0.33b 1.00d .18, Stl, PI	1
30	49694	(10000000- 10778393 )	Screw, Hex, M8 X 1.25 X 50, Ss	1
31	1214039	(10000000- 10778393 )	Roller, Lift, Head	1

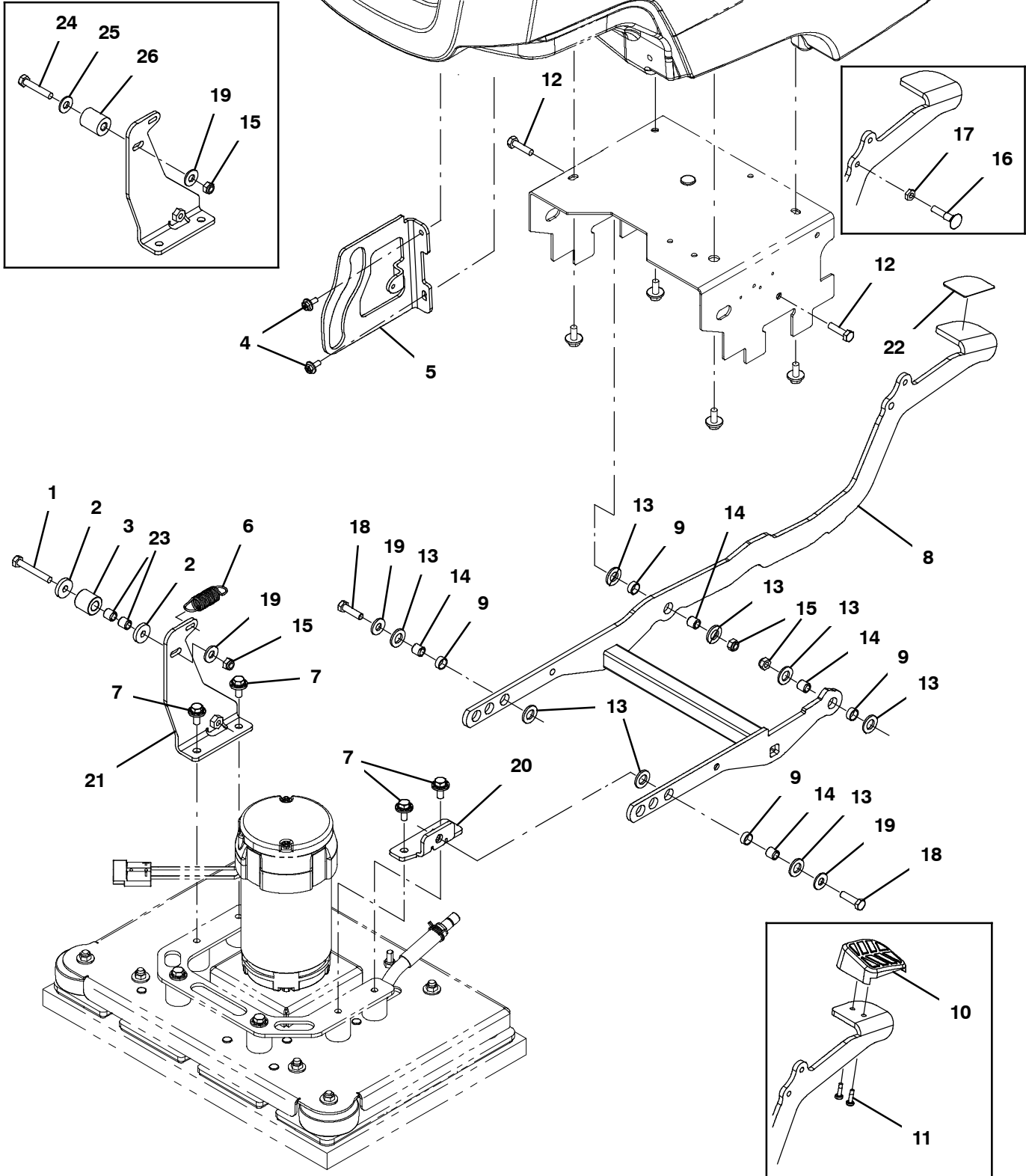
▽ ASSEMBLY

▲ INCLUDED IN ASSEMBLY

SCRUB HEAD LIFT GROUP, 50CM ORBITAL MODEL

355289

(S/N 1000000 - 10778393)



## SCRUB HEAD LIFT GROUP, 50CM ORBITAL MODEL

Ref.	Part No.	Serial Number	Description	Qty.
1	222504	(10778394- 20000000 )	Screw, Hex, M8 X 1.25 X 55, Ss	1
2	1028796	(10778394- 20000000 )	Washer, Flat, 0.33b 1.00d .18, Stl, Pl	2
3	1014020	(10778394- 20000000 )	Roller, 0.99d 0.50b 0.95l, Acetal	1
4	1034731	(10000000- 20000000 )	Screw, Hex, M6 X 1.00 X 16, Sems, Ss	2
5	1213063	(10000000- 20000000 )	Bracket, Guide, Head [Vw]	1
6	1032420	(10000000- 20000000 )	Spring, Extn, 0.85od 0.09wir 02.9l	1
7	1020341	(10000000- 20000000 )	Screw, Hex, M8 X 1.25 X 20, Ss, Sems	4
▽	8	9016811	(10887017- 20000000 ) Kit, Lift, Head, Ci [T300/T300e/Ss300]	1
▲	9	630188	(10000000- 20000000 ) Bearing, Journal, .50id X .25l	8
▽	8	9014170	(10000000- 10887016 ) Kit, Lift, Head[T300/T300e/Ss300] (Replaced by 9016811)	1
▲	9	630188	(10000000- 20000000 ) Bearing, Journal, .50id X .25l	8
	10	1209093	(10000000- 10757507 ) Cover, Pedal (Replaced by 1218694)	1
	11	1043573	(10000000- 10757507 ) Screw, #10- 14 X 0.675, Spl[Shcs,Selftap]	2
	12	09011	(10000000- 20000000 ) Screw, Hex, M8 X 1.25 X 30, Ss	2
	13	1013936	(10000000- 20000000 ) Washer, Flat, 0.51b 0.94d .10, Nyl	8
	14	222460	(10000000- 20000000 ) Sleeve, P/M, 0.32b 0.50d 0.5l [430ss]	4
	15	08713	(10000000- 20000000 ) Nut, Hex, Lock, M8 X 1.25, NI, Ss	3
	16	1235108	(10000000- JAN2020 ) Bolt, Carriage, M8 X 1.25 X 90, Fl	1
	17	200101017	(10000000- JAN2020 ) Nut, Hex, Jam, M8 X 1.25	1
	18	1016399	(10000000- 20000000 ) Screw, Hex, M8 X 1.25 X 30, NI, Ss	2
	19	01685	(10000000- 20000000 ) Washer, Flat, 0.38b 0.88d .08, Ss	3
	20	1212572	(10000000- 20000000 ) Bracket Wldt, Mtg, Head, Orb, Short [Vw]	1
	21	1213223	(10000000- 20000000 ) Bracket Wldt, Mtg, Head, Orb, Tall [Vw]	1
	22	1218694	(10757508- 20000000 ) Pad, Pedal, Lift	1
	23	222460	(10778394- 20000000 ) Sleeve, P/M, 0.32b 0.50d 0.5l [430ss]	2
	24	49694	(10000000- 10778393 ) Screw, Hex, M8 X 1.25 X 50, Ss	1
	25	01685	(10000000- 10778393 ) Washer, Flat, 0.38b 0.88d .08, Ss	1
	26	1214039	(10000000- 10778393 ) Roller, Lift, Head	1

▽ ASSEMBLY

▲ INCLUDED IN ASSEMBLY



## SQUEEGEE ASSEMBLY, 500MM / 20IN

Ref.	Part No.	Serial Number	Description	Qty.
▽	9014172	(10000000- 20000000 )	Squeegee Kit, Linatex, Ci [T300/E/Ss300]	1
▲	1 1230946	(10000000- 20000000 )	Frame, Sqge, 50cm, Mach [T300]	1
▲	2 07786	(10000000- 20000000 )	Nut, Hex, Std, M8 X 1.25, Ss	2
▲	3 140027	(10000000- 20000000 )	Washer, Flat, 0.35b 0.75d .04, Ss	4
▲	4 222460	(10000000- 20000000 )	Sleeve, P/M, 0.32b 0.50d 0.5l [430ss]	2
▲	5 1010560	(10000000- 20000000 )	Wheel, Bmpr, 80d X 25w, Non- Marking	2
▲	6 1016399	(10000000- 20000000 )	Screw, Hex, M8 X 1.25 X 30, NI, Ss	2
▲	7 1255358	(10000000- 20000000 )	Screw, Btn, M8 X 1.25 X 85, Ss	2
▲	8 1213677	(10000000- 20000000 )	Knob, Star, 2.00od 4ear M8x1.25 [Yel]	4
▲	9 17461	(10000000- 20000000 )	Pin, Clevis, 0.37d X 1.75l	2
▲	10 1216647	(10000000- 20000000 )	Pin, Cotter, Hair, 0.38d .054 Wir	2
▲	11 1017091	(10000000- 20000000 )	Spring, Cmpr, 0.50od .04wir 00.8l	2
▲	12 22290	(10000000- 20000000 )	Spring, Cmpr, 0.72od .06wir 02.3l	2
▲	13 09026	(10000000- 20000000 )	Screw, Hex, M8 X 1.25 X 40, Ss	2
▲	14 630477	(10000000- 20000000 )	Wheel, Pyu, 02.0d 0.38w, Gray	2
▲	15 1222109	(xxxxxxx- 20000000 )	Knob, Sqge, 58l, M6 X 1.00, Plstc	1
▲	16 1209631	(10000000- 20000000 )	Cover, Trap, Water, Sqge	1
▲	17 1210756	(10000000- 20000000 )	Gasket, Trap, Water, Sqge	1
▲	18 140154	(xxxxxxx- 20000000 )	Sleeve, P/M, 0.25b 0.38d 0.3l, PI	1
▲	19 140060	(xxxxxxx- 20000000 )	Washer, .505 X .750 X 0.45 Wave	1
▲	20 01684	(xxxxxxx- 20000000 )	Washer, Flat, 0.27b 0.69d .05, Ss	1
▲	21 12277	(xxxxxxx- 20000000 )	Screw, Hex, M6 X 1.00 X 20, NI, Ss	1
▲	22 1203638	(10000000- 20000000 )	Retainer, Sqge [T300]	1
▲▽	23 9015731	(10000000- 20000000 )	Blade Kit, 500mm, Linatex (Standard)	1
▲▲	24 1203953	(10000000- 20000000 )	Blade, Sqge, Rear, 836l, Linatex[500mm] (Standard)	1
▲▲	25 1203954	(10000000- 20000000 )	Blade, Sqge, Front, 788l, Linatex[500mm] (Standard)	1
▽	23 9015732	(10000000- 20000000 )	Blade Kit, 500mm, Urethane (Option)	1
▲	24 1215609	(10000000- 20000000 )	Blade, Sqge, Rear, 836l, Urethane[500mm] (Option)	1
▲	25 1215611	(10000000- 20000000 )	Blade, Sqge, Front, 788l, Urethane[500mm] (Option)	1
▽	23 9015730	(10000000- 20000000 )	Blade Kit, 500mm, Gum (Option)	1
▲	24 1215610	(10000000- 20000000 )	Blade, Sqge, Rear, 836l, Gum[500mm] (Option)	1
▲	25 1215612	(10000000- 20000000 )	Blade, Sqge, Front, 788l, Gum[500mm] (Option)	1
	26 1212683	(10000000- xxxxxxx )	Screw, Captive, M5, Knurled [Snap In]	1

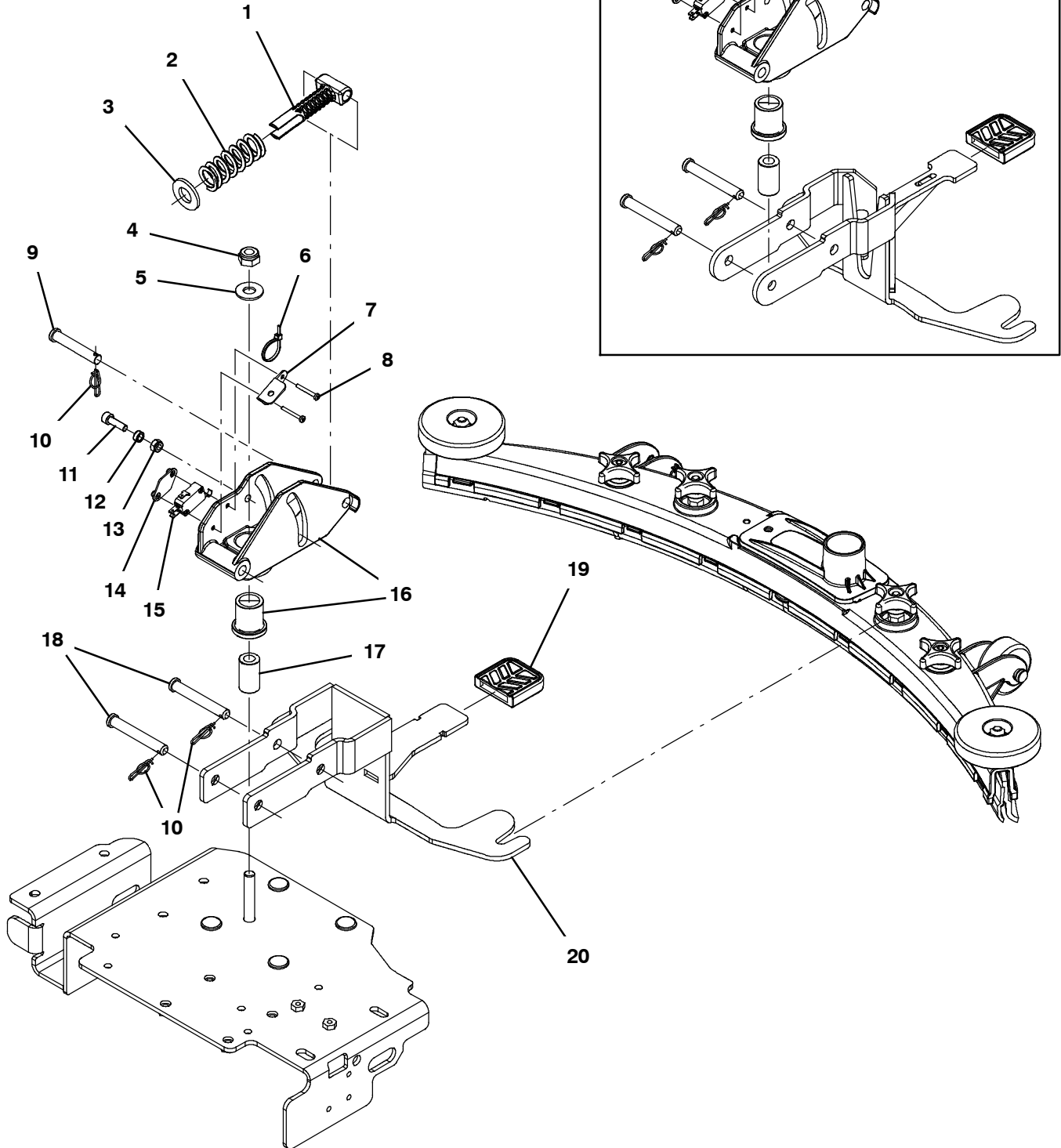
▽ ASSEMBLY

▲ INCLUDED IN ASSEMBLY

SQUEEGEE LIFT GROUP

355305

(S/N 1000000 - 10859579)



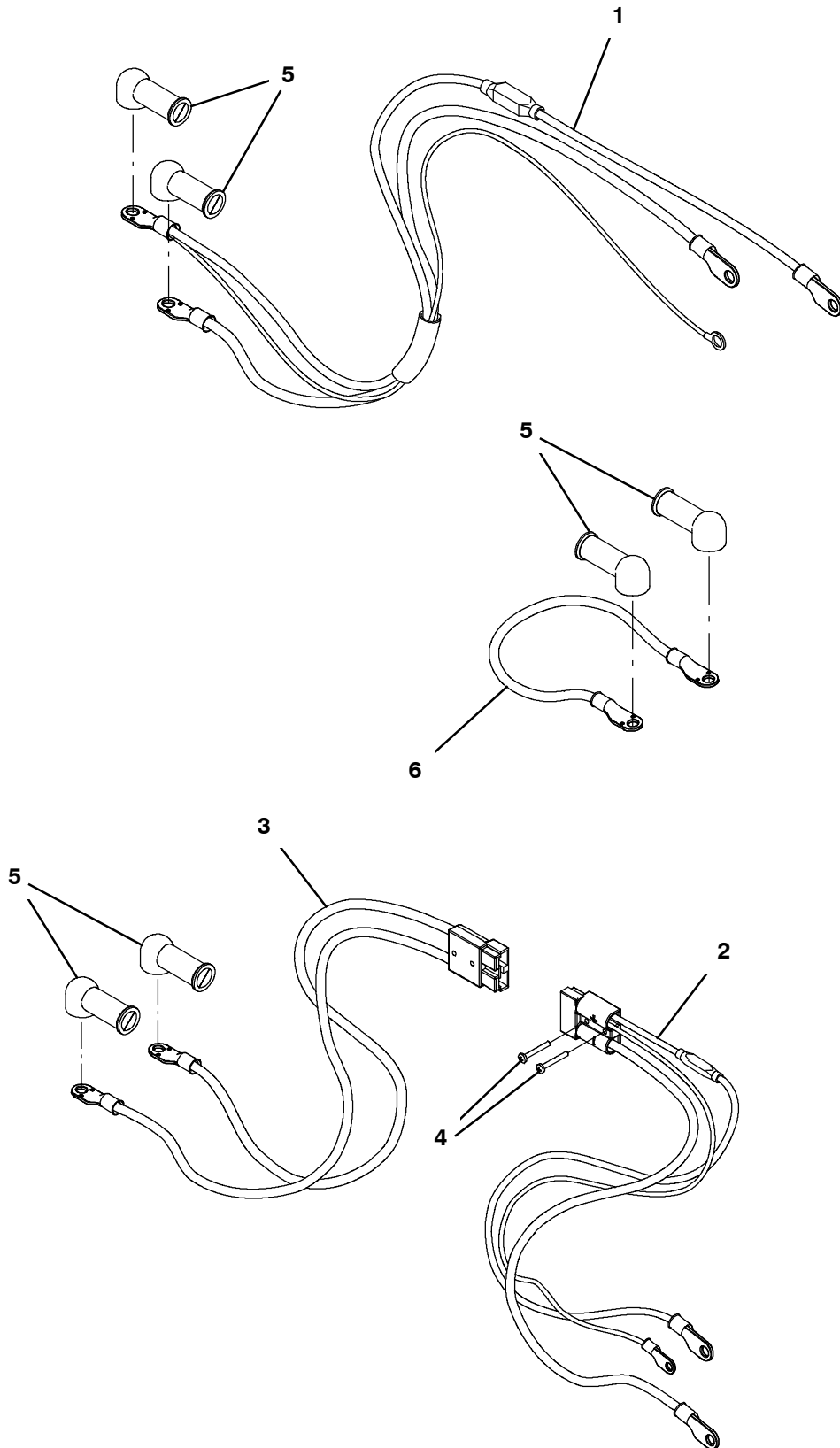


## SQUEEGEE LIFT GROUP

Ref.	Part No.	Serial Number	Description	Qty.
1	1230485	(10000000- 20000000 )	Pin, Guide, Spring [T300]	1
2	1215756	(10000000- 20000000 )	Spring, Cmpr, 0.98od .146wir 02.5l	1
3	69954	(10000000- 20000000 )	Washer, Thrust, 0.63b 1.25d 0.13w	1
4	08714	(10000000- 20000000 )	Nut, Hex, Lock, M10 X 1.5, NI, Ss	1
5	140045	(10000000- 20000000 )	Washer, Flat, 0.51b 1.25d .06, Ss	1
6	130773	(10859580- 20000000 )	Tie, Cable, Nyl, 11.0l, .14w, 3.0 Max. D	1
7	1233709	(10859580- 20000000 )	Bracket, Retaining, Wire [T300]	1
8	33933	(10000000- 20000000 )	Screw, Pan, Phl, M3 X 0.50 X 25, Ss	2
9	51813	(10000000- 20000000 )	Pin, Clevis, 0.37d X 2.12l	1
10	1216647	(10000000- 20000000 )	Pin, Cotter, Hair, 0.38d .054 Wir	3
11	33951	(10000000- 20000000 )	Screw, Soc, M6 X 1.00 X 20, 12.9	1
12	80491	(10000000- 20000000 )	Sleeve, P/M, 0.25b 0.38d 0.2l [430ss]	1
13	08712	(10000000- 20000000 )	Nut, Hex, Lock, M6 X 1.00, NI, Ss	1
14	1013705	(10000000- 20000000 )	Plate, Thread, Switch, M3 Nut, 96hr PI	1
15	1215716	(10000000- 20000000 )	Switch, 0.1a, Spdt[Micro, Gold Contacts]	1
16	9014301	(10000000- 20000000 )	Bracket Kit, Sqge, Lift [T300/E, Ss300]	1
17	1214467	(10000000- 20000000 )	Sleeve, P/M, 0.41b 0.75d 1.3l [430ss]	1
18	391179	(10000000- 20000000 )	Pin, Clevis, 0.37d X 2.62l	2
19	1212533	(10000000- 20000000 )	Cover, Pedal, Lift	1
20	9014303	(10000000- 20000000 )	Bracket Kit, Sqge, Wdt [T300/E, Ss300]	1

BATTERY CABLE GROUP

355402



## BATTERY CABLE GROUP

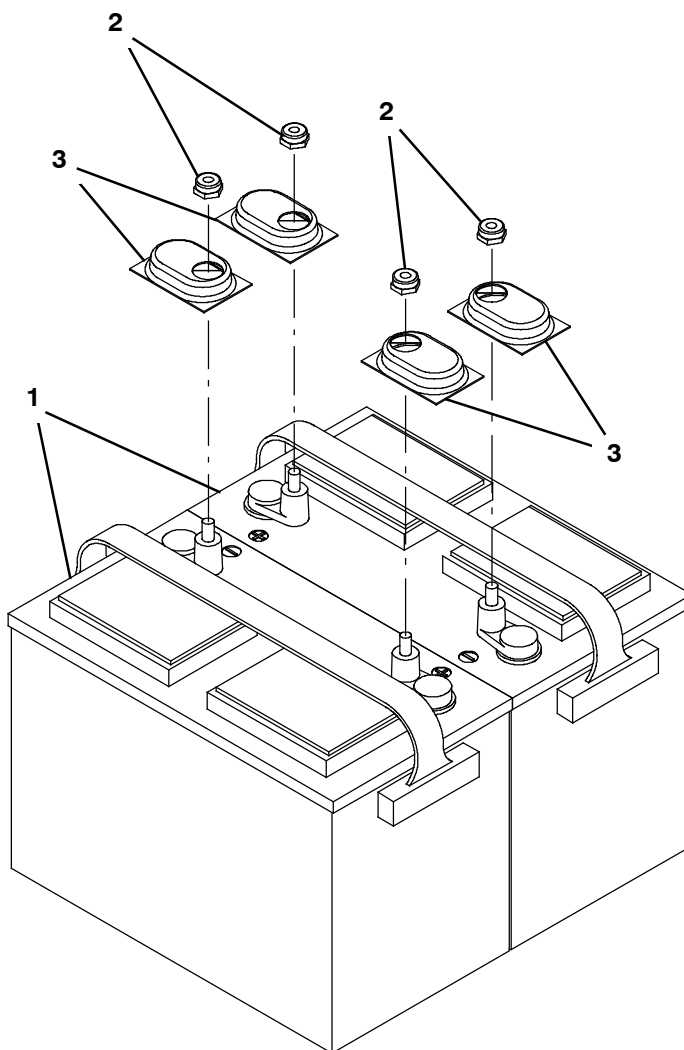
Ref.	Part No.	Serial Number	Description	Qty.	
1	1074848	(10790532- 20000000 )	Cable, Assy, Fuse [T300] (Standard - Without Battery Lift Out Kit Option)	1	
∇	9014778	(10000000- 20000000 )	Cable Kit, Battery, Ring, Tray,Ci [T300] (Required for Battery Lift Out Kit Option)	1	
▲	2	1073996	(10000000- 10790531 )	Cable, Battery, Fuse [Sb120, 70a]	1
▲	3	1073628	(10000000- 10790531 )	Cable, Battery, 4ga [M8 Ring/M8 Ring]	1
▲	4	33931	(10000000- 10790531 )	Screw, Pan, Phl, M4 X 0.70 X 30, Ss	2
	5	611221	(10790532- 20000000 )	Boot, Terminal, Battery, 25.4mm, Blk	2
	5	611221	(10000000- 10790531 )	Boot, Terminal, Battery, 25.4mm, Blk	4
	6	1073680	(10000000- 20000000 )	Cable, 04ga 15.0l Blk [M8 Ring/M8 Ring]	1

∇ ASSEMBLY

▲ INCLUDED IN ASSEMBLY

BATTERY GROUP, 105AH C20 WET

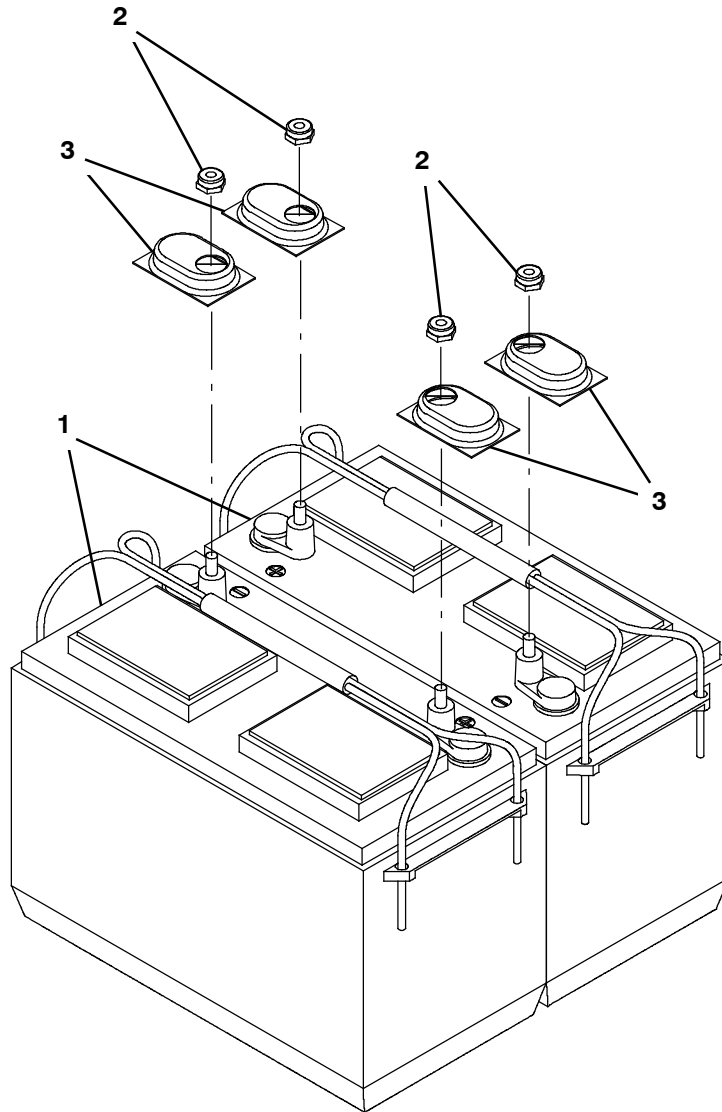
355359



Ref.	Part No.	Serial Number	Description	Qty.
1	578426	(10000000-20000000 )	Battery, Wet, 12vdc 0105ah [S8, 27tmx]	2
2	87435	(10000000-20000000 )	Nut, Hex, Flexlock, .31 - 18	4
3	45962	(10000000-20000000 )	Cap, Battery, White [For 105ah & 130ah]	4

BATTERY GROUP, 130AH C20 WET

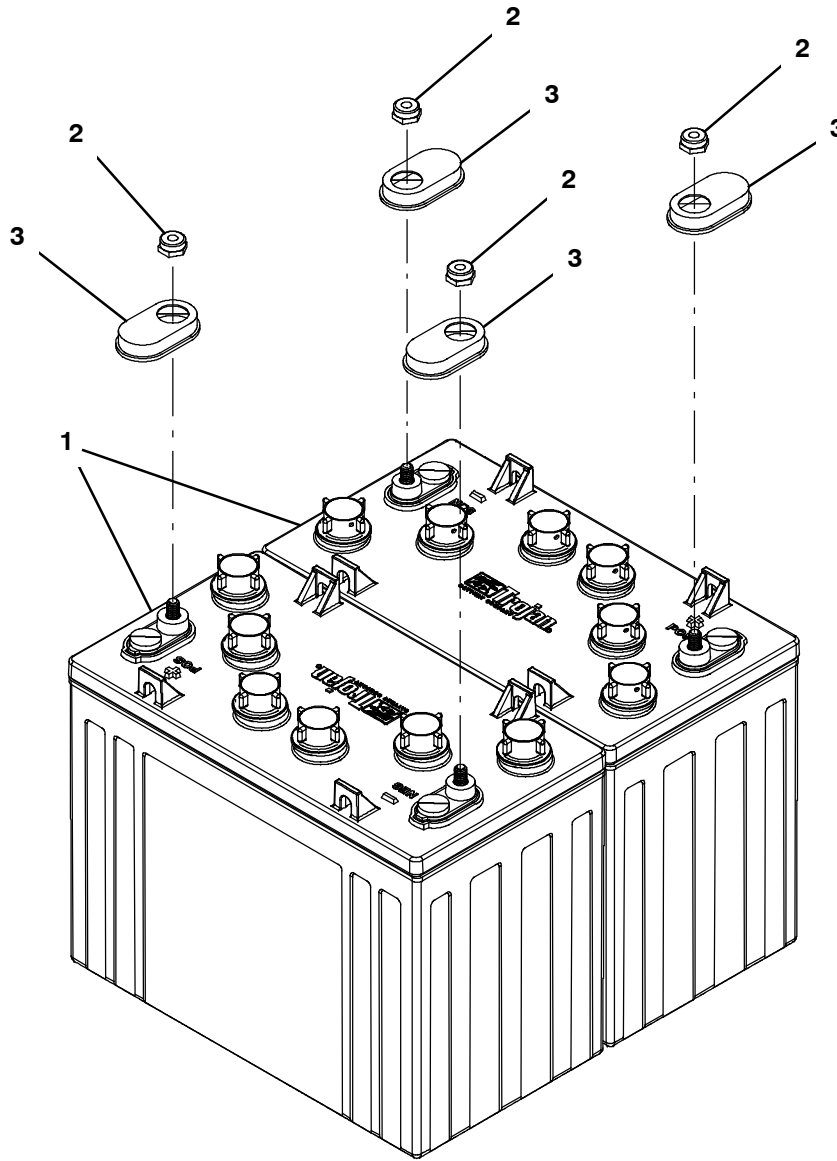
355360



Ref.	Part No.	Serial Number	Description	Qty.
1	130869	(10000000-20000000 )	Battery, Wet, 12vdc 0130ah [30xhs- Wnt]	2
2	87435	(10000000-20000000 )	Nut, Hex, Flexlock, .31 - 18	4
3	45962	(10000000-20000000 )	Cap, Battery, White [For 105ah & 130ah]	4

BATTERY GROUP, 150AH C20 WET

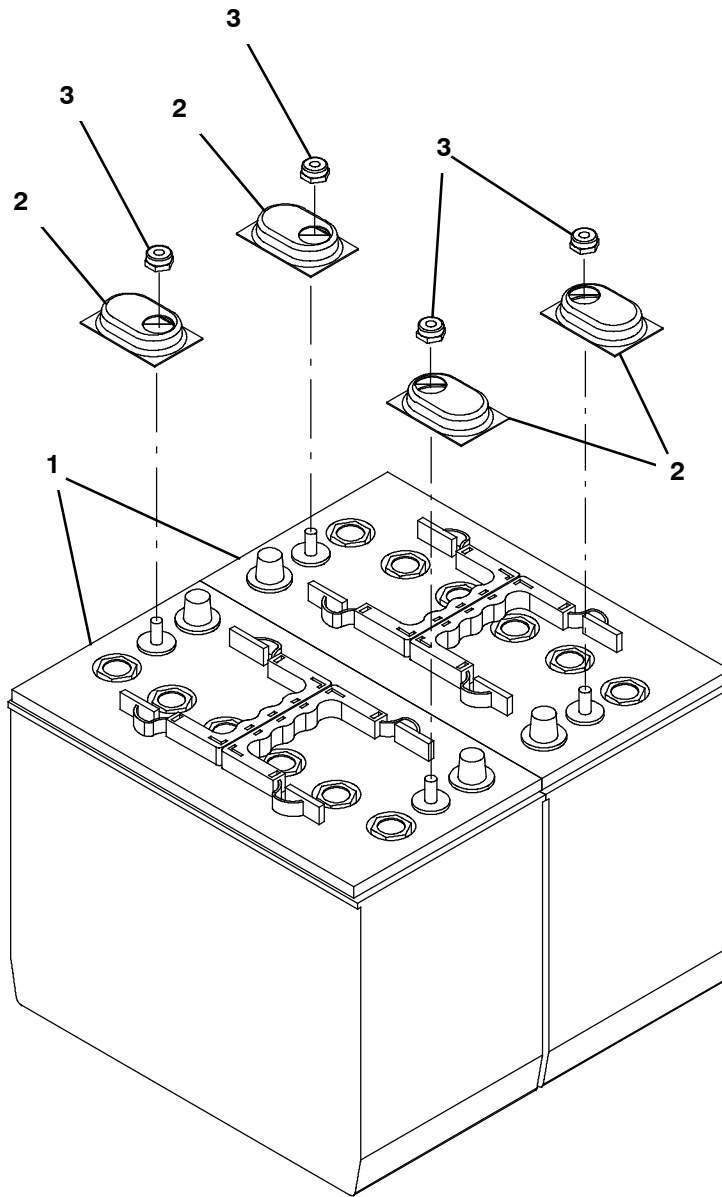
355361



Ref.	Part No.	Serial Number	Description	Qty.
1	1015046	(10000000-20000000 )	Battery, Wet, 12vdc 0150ah	2
2	87435	(10000000-20000000 )	Nut, Hex, Flexlock, .31 - 18	4
3	1041030	(10000000-20000000 )	Cap, Battery, Black [For 155ah]	4

BATTERY GROUP, 140AH C20 AGM

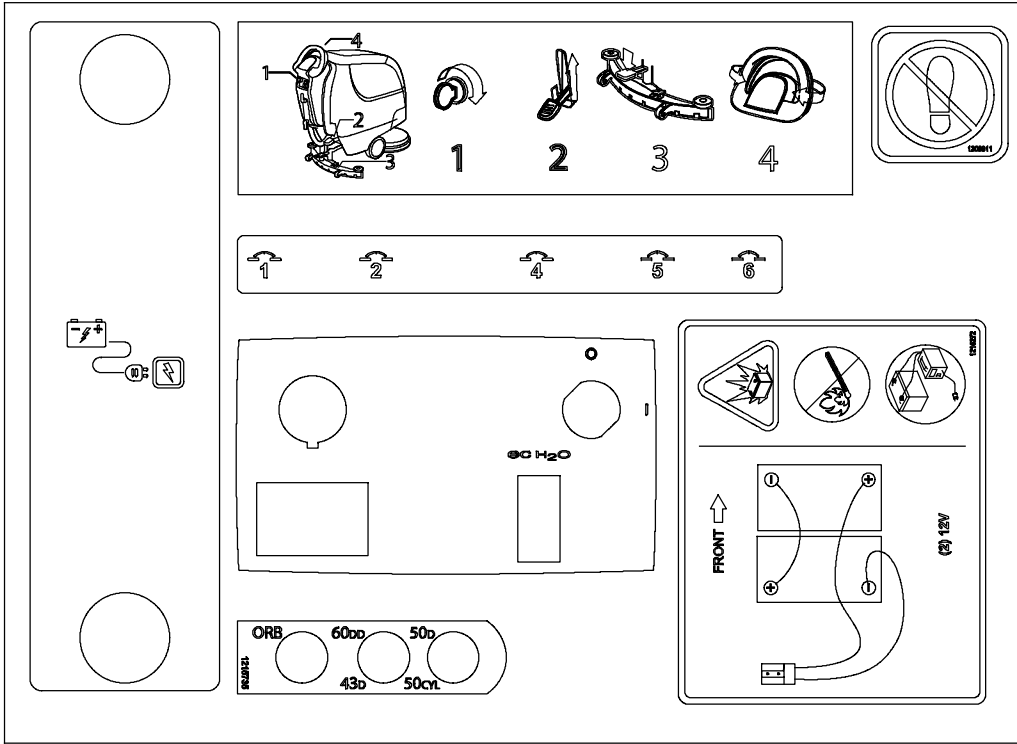
355362



Ref.	Part No.	Serial Number	Description	Qty.
1	1053408	(10000000-20000000 )	Battery, 12vdc 0140ah [Agm]	2
2	45962	(10000000-20000000 )	Cap, Battery, White [For 105ah & 130ah]	4
3	87435	(10000000-20000000 )	Nut, Hex, Flexlock, .31- 18	4

LABEL GROUP

355363



500 x 355 mm / 20 x 14 in

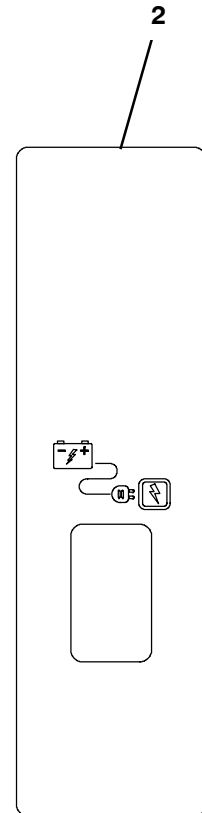
T300

oz/gal	%
0.25	0.2
0.6	0.4
1	0.8
2	1.6
3	2.3
4	3.1

1210440

PAT. 1210440 REV. B

ec H<sub>2</sub>O NanoClean™








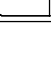


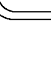



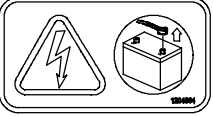
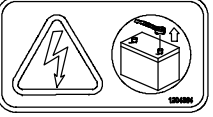



## LABEL GROUP

Ref.	Part No.	Serial Number	Description	Qty.
1	1236088	(10000000- 20000000 )	Label Sheet, Operational [T300/Ss300]	1
2	1225763	(10000000- 20000000 )	Label, Decal, Charger, Off- Board	1
3	1214279	(10000000- 20000000 )	Label, Orbital, Size, 50cm (Orbital Head)	1
4	1215262	(10000000- 20000000 )	Label, T300	2
5	1210440	(10000000- 20000000 )	Label, Opertnl, Detergent Metering (Severe Environment)	1
6	1216520	(10000000- 20000000 )	Label, Logo [Ech2o Nano] (ec- H2O Model)	2



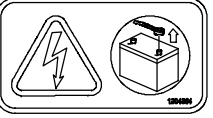
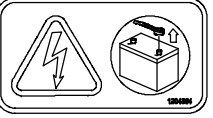
LABEL GROUP - CONT'D

355364



1

⚠ WARNING			⚠ AVERTISSEMENT			⚠ ADVERTENCIA		
<b>TO REDUCE THE RISK OF FIRE, EXPLOSION, ELECTRICAL SHOCK, OR INJURY:</b> <ul style="list-style-type: none"> <li>Read manual before operating machine.</li> <li>Do not use or plug up flammable materials.</li> <li>Do not use near flammable liquids, vapors or combustible dusts.</li> <li>Batteries emit hydrogen gas. Explosion or fire can result. Keep sparks and open flame away when charging.</li> <li>Disconnect battery cables and charge plug before servicing machine.</li> <li>Do not charge batteries with damaged cord.</li> <li>Do not use outdoors. Store indoors.</li> </ul>			<b>POUR RÉDUIRE LES RISQUES D'INCENDIE, L'EXPLOSION, DE CHOC ÉLECTRIQUE OU DE LÈSSURE:</b> <ul style="list-style-type: none"> <li>Lisez le manuel avant d'utiliser la machine.</li> <li>N'utilisez pas ou ne remettez pas de matériaux inflammables.</li> <li>N'utilisez pas près de liquides, vapeurs ou poussières inflammables.</li> <li>Les batteries émettent du Hydrogène gazeux. Risque d'incendie et d'explosion. Évitez toute étincelle et toute flamme nue lors de la charge des batteries.</li> <li>Déconnectez les câbles des batteries et le cordon du chargeur avant l'entretien de la machine.</li> <li>Ne chargez pas les batteries avec un cordon endommagé.</li> <li>N'utilisez pas à l'extérieur. Entrez-les à l'intérieur.</li> </ul>			<b>PARA REDUCIR EL RIESGO DE INCENDIO, EXPLOSION, CHOQUE ELECTRICO, O LESIONES:</b> <ul style="list-style-type: none"> <li>Lea el manual antes de utilizar la máquina.</li> <li>No utilice ni rellene materiales inflamables.</li> <li>No utilice la máquina cerca de líquidos, polvo o vapores inflamables.</li> <li>Las baterías emiten hidrógeno. Peligro de incendio o explosión. Evite las chispas y llamas cuando se está cargando.</li> <li>Desconecte los cables de la batería antes de realizar el servicio a la máquina.</li> <li>No cargue las baterías si el cable está dañado.</li> <li>No utilice la máquina al aire libre. Guárdela en un lugar cerrado.</li> </ul>		
								
								
								




2

		<b>警告</b> <b>火災、爆発、感電やけがを防ぐために行うこと:</b> <ul style="list-style-type: none"> <li>• 本機を使用する前に、マニュアルをお読みください。</li> <li>• 引火性物質を使用または取り扱わないでください。</li> <li>• 可燃性液体、蒸気、粉塵、または可燃物の近くでは、作業しないでください。</li> <li>• バッテリーは水素ガスを発生します。燃焼や爆発の危険があります。火花や炎を近づけないでください。</li> <li>• 本機を充電するときは、充電ケーブルと充電プラグを外してください。</li> <li>• 破損した充電ケーブル（バッテリー）を使用しないでください。</li> <li>• 屋外では使用しないでください。屋内で保管してください。</li> </ul>			
					

3

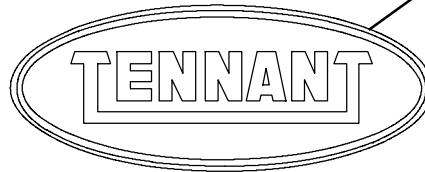
4

5



6



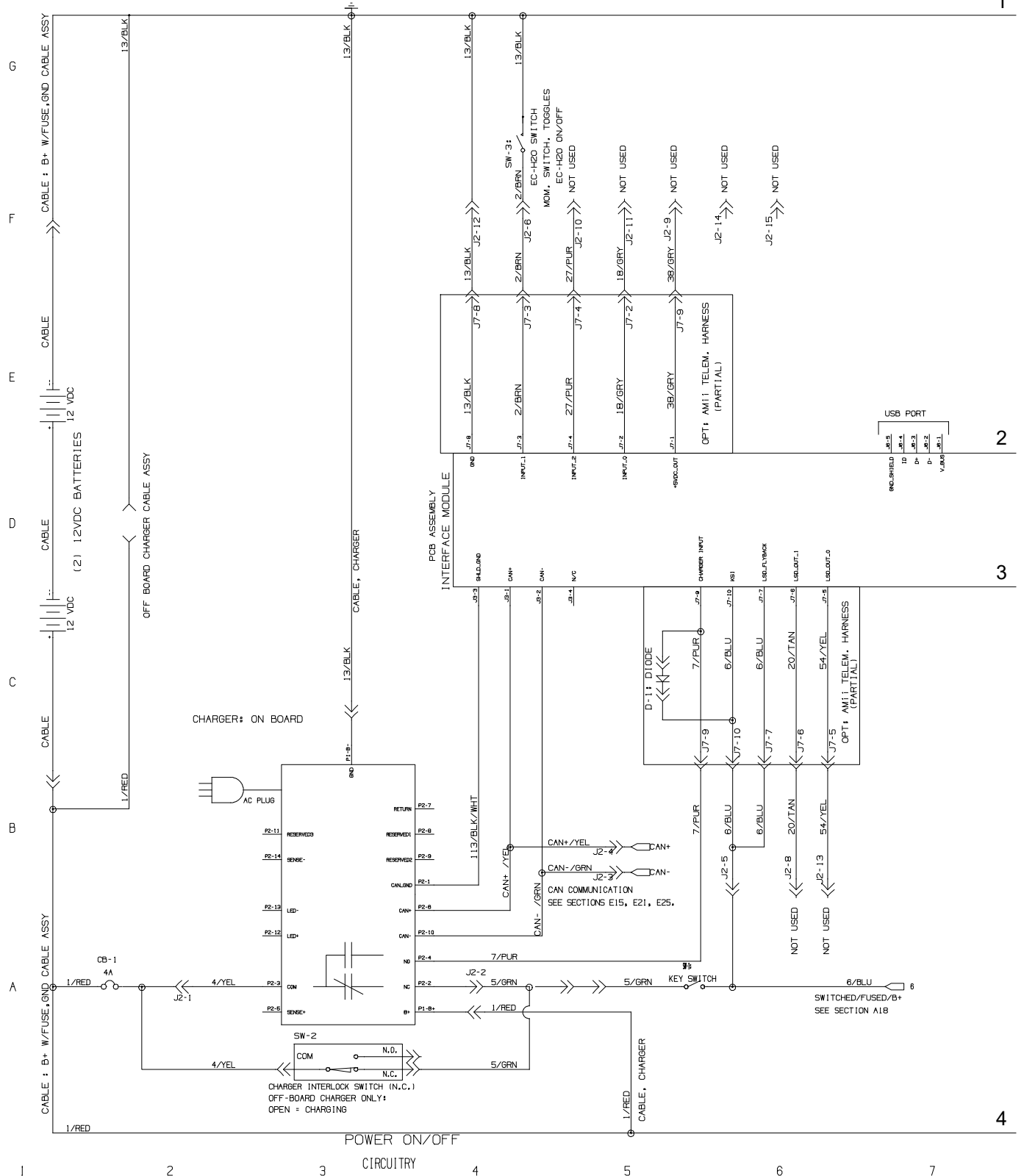
## LABEL GROUP - CONT'D

Ref.	Part No.	Serial Number	Description	Qty.
1	1220962	(10000000- 20000000 )	Label Sheet, Info/Hzrd [T500, Na]	1
2	1220966	(10000000- 20000000 )	Label Sheet, Info/Hzrd [T500, Jp]	1
3	1218392	(10000000- 20000000 )	Label, Safety, Magnet, Med (Magnetic Heads)	1
4	1050003	(10000000- 20000000 )	Label [User, Attention, Ec- H2o] (Japan Only)	1
5	1224990	(10000000- 20000000 )	Label, Opertnl, Parking Brake (Optional)	1
6	1213114	(10000000- 20000000 )	Label, Logo, 05.5l, Blk/Sil [Tennant]	1
6	1205477	(10000000- 20000000 )	Nameplate, Tennant, Dome, 5.5in	1

ELECTRICAL DIAGRAM, PROPEL (S/N 10887923 - ) (PAGE 1 OF 4)

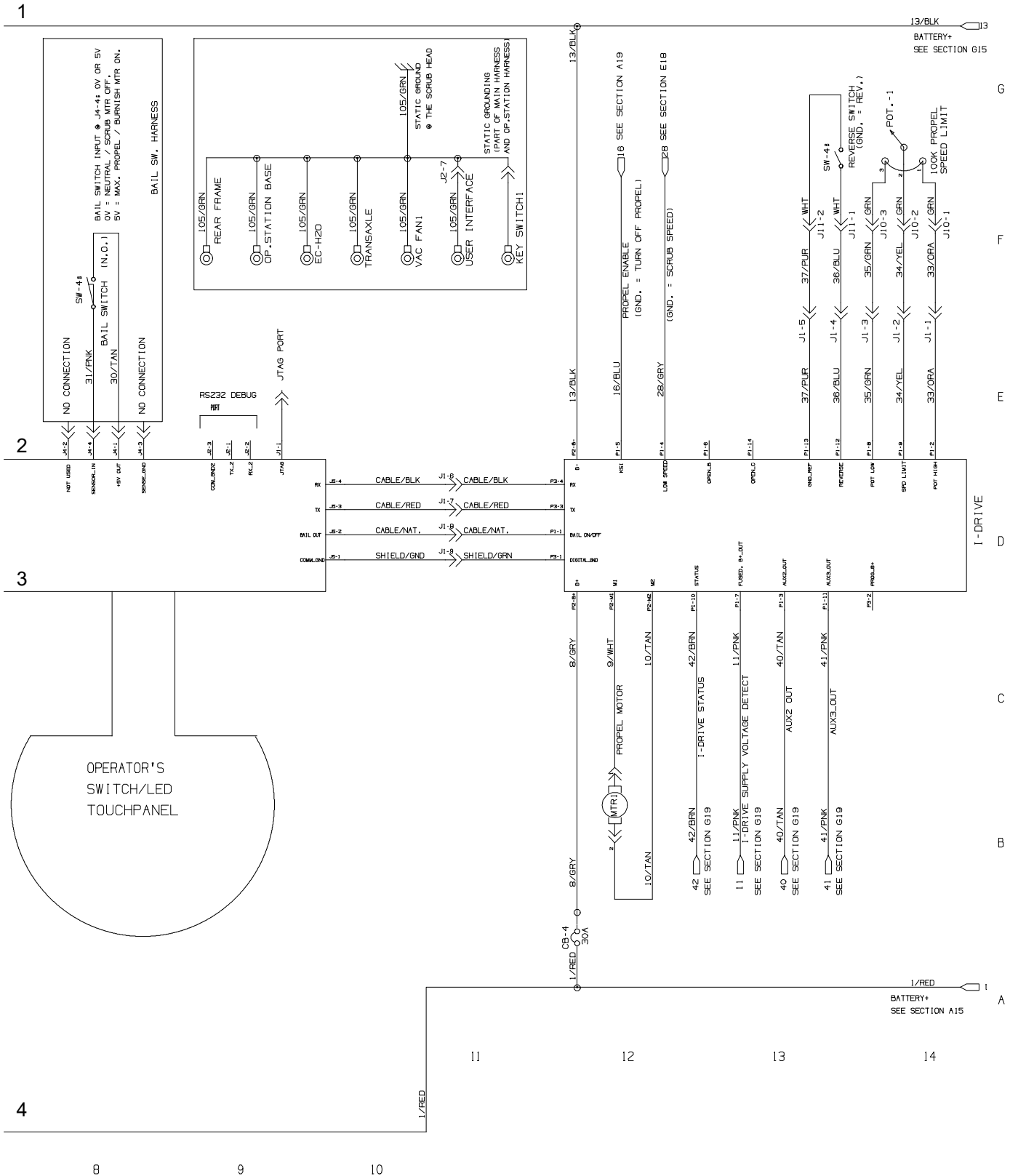
1074705\_03

MODULE



ELECTRICAL DIAGRAM, PROPEL (S/N 10887923 - ) (PAGE 2 OF 4)

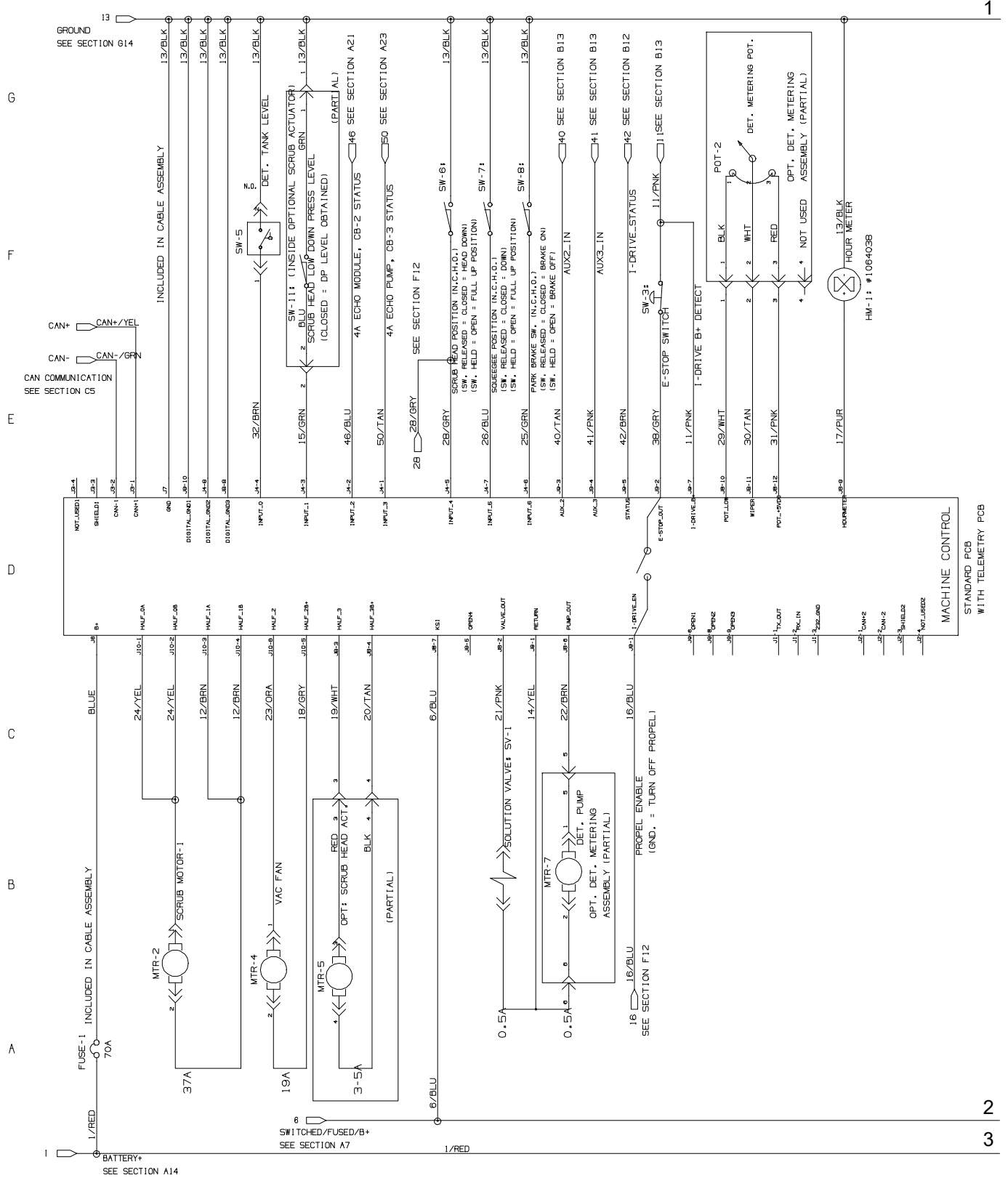
1074705\_03



ELECTRICAL DIAGRAM, PROPEL (S/N 10887923 - ) (PAGE 3 OF 4)

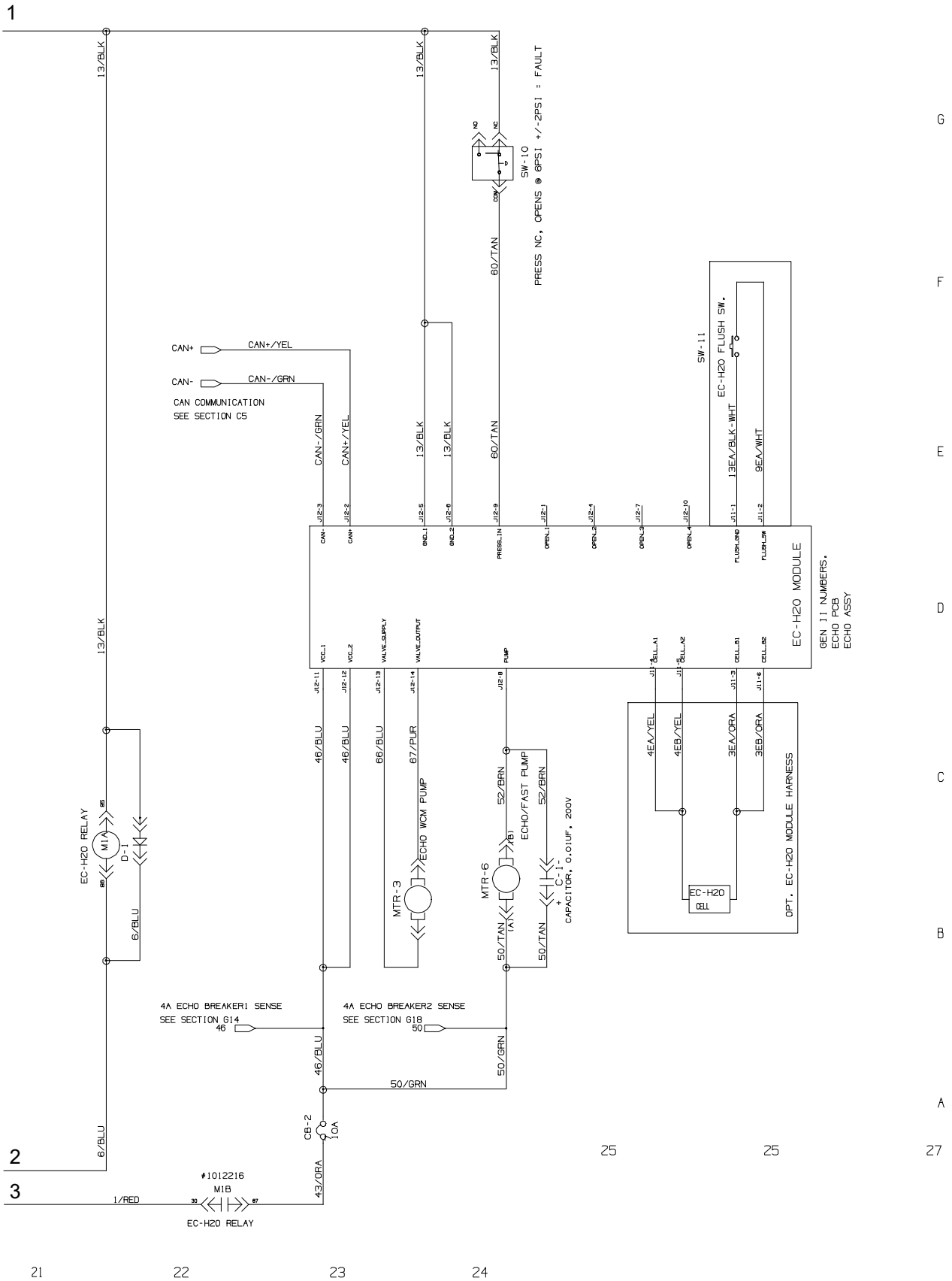
PREMIUM CONTROLLER

1074705\_03



ELECTRICAL DIAGRAM, PROPEL (S/N 10887923 - ) (PAGE 4 OF 4)

1074705\_03



21

22

23

24

25

25

27



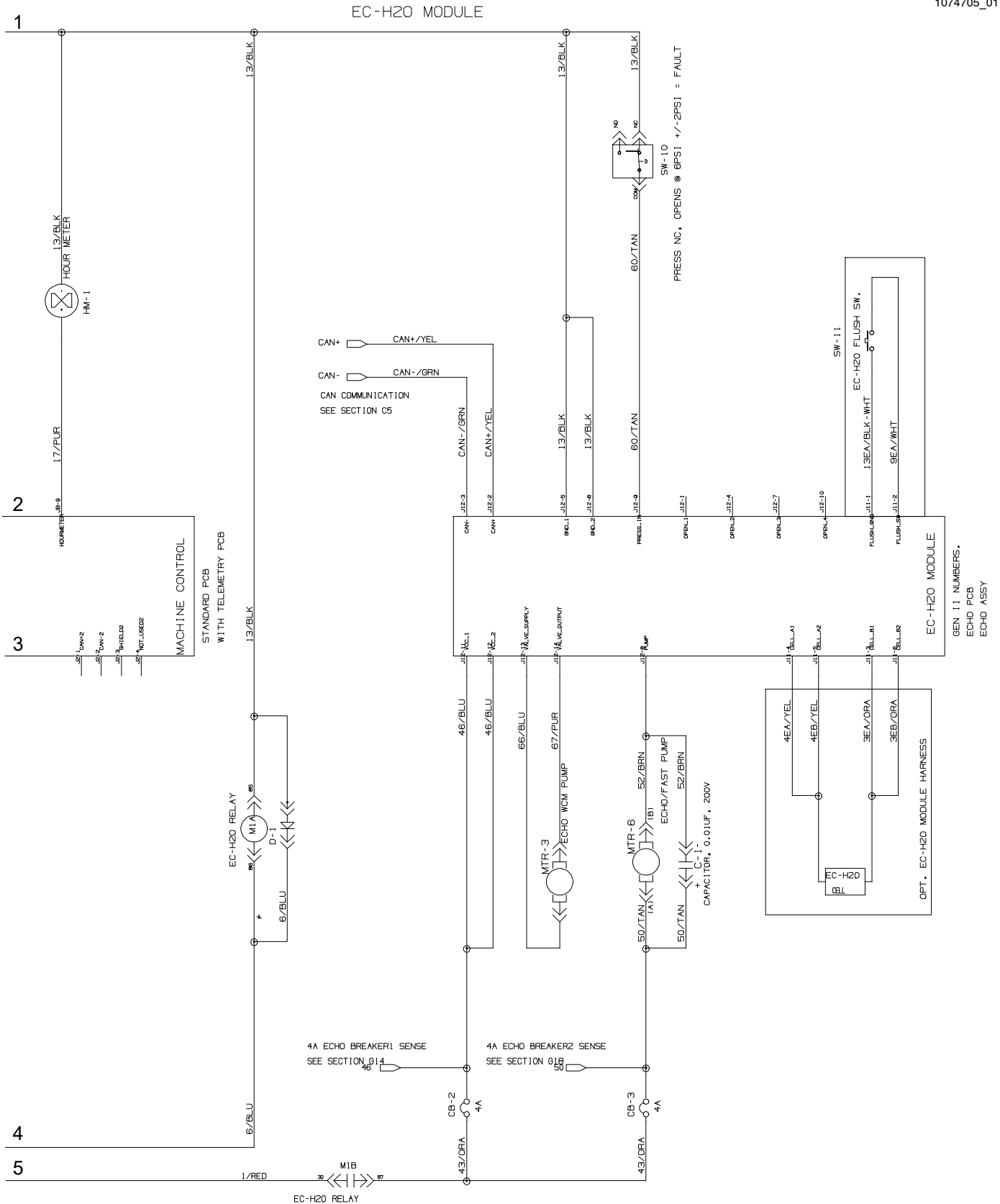






ELECTRICAL DIAGRAM, PROPEL (S/N 1000000 - 10887922) (PAGE 4 OF 4)

1074705\_01

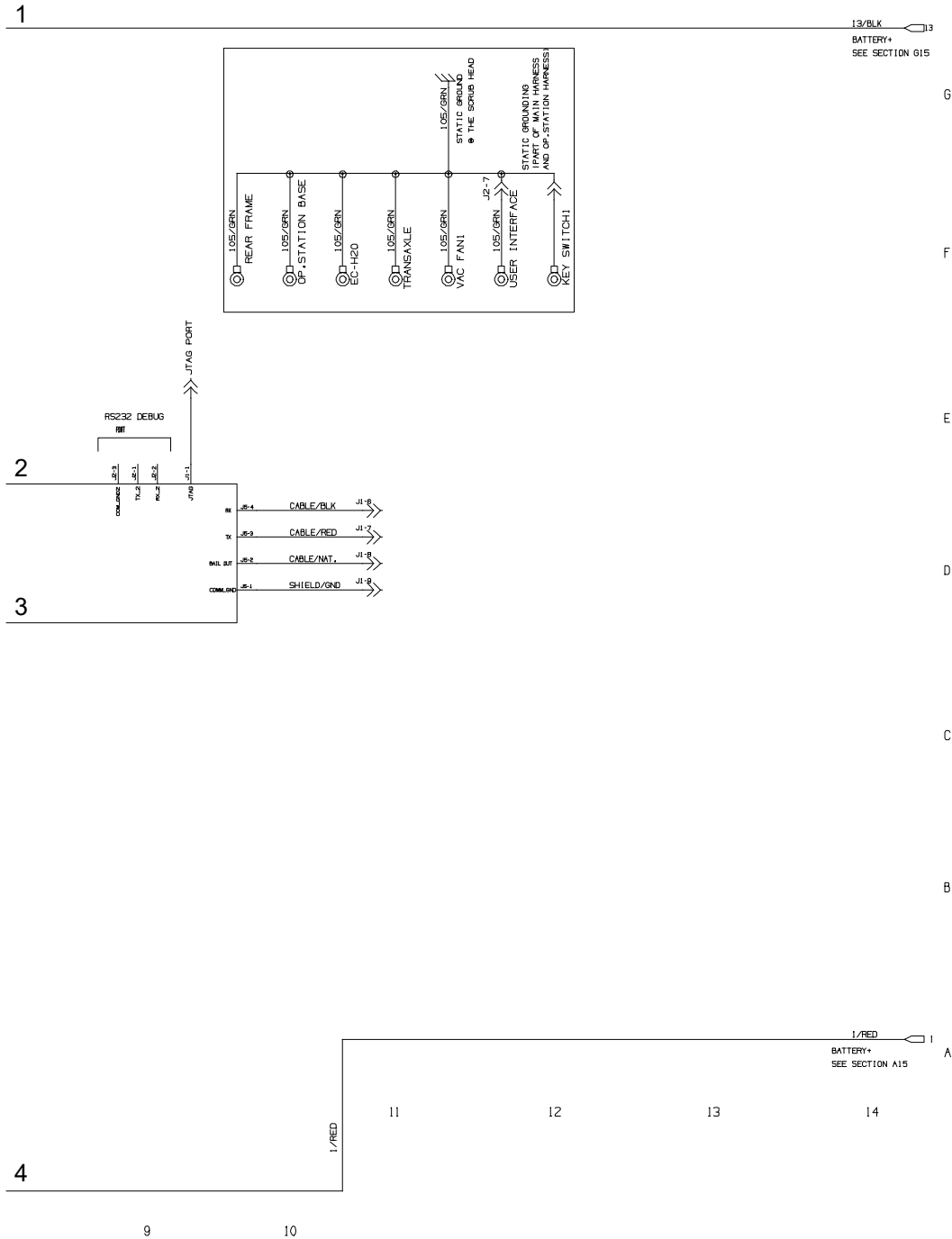




ELECTRICAL DIAGRAM, PUSH (S/N 10891948 - ) (PAGE 2 OF 4)

1074706\_03

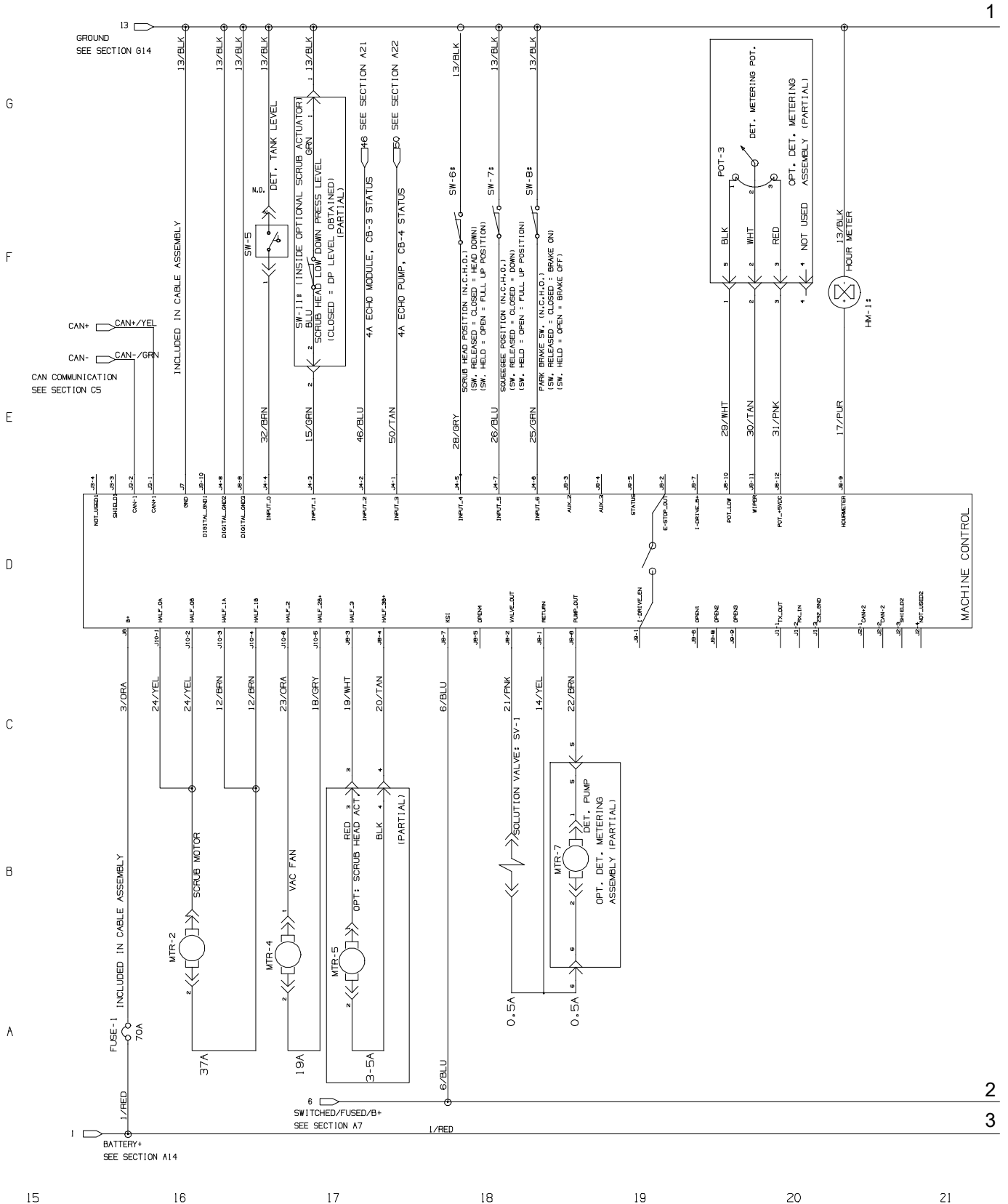
PROPEL SYSTEM



ELECTRICAL DIAGRAM, PUSH (S/N 10891948 - ) (PAGE 3 OF 4)

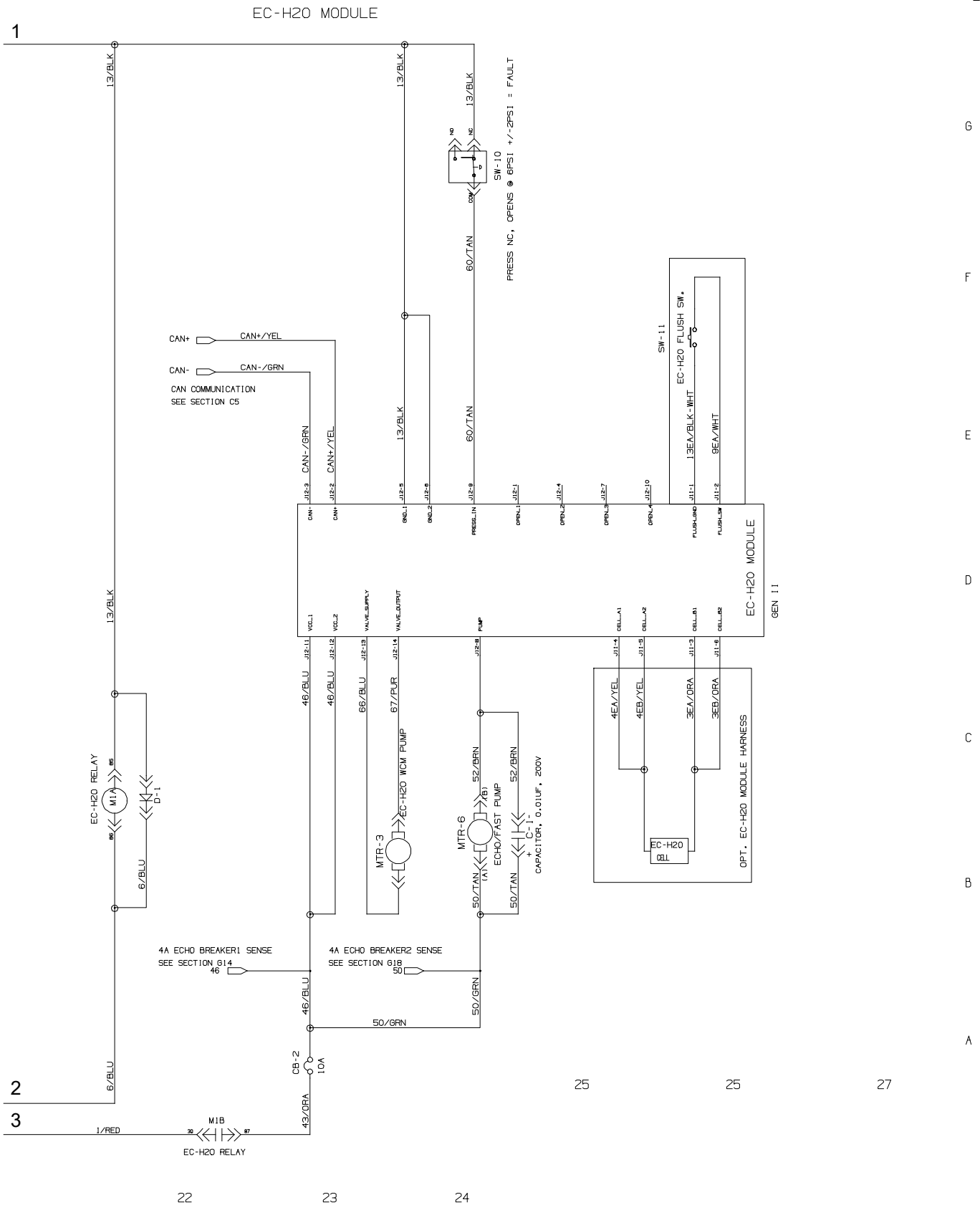
1074706\_03

PREMIUM CONTROLLER



ELECTRICAL DIAGRAM, PUSH (S/N 10891948 - ) (PAGE 4 OF 4)

1074706\_03





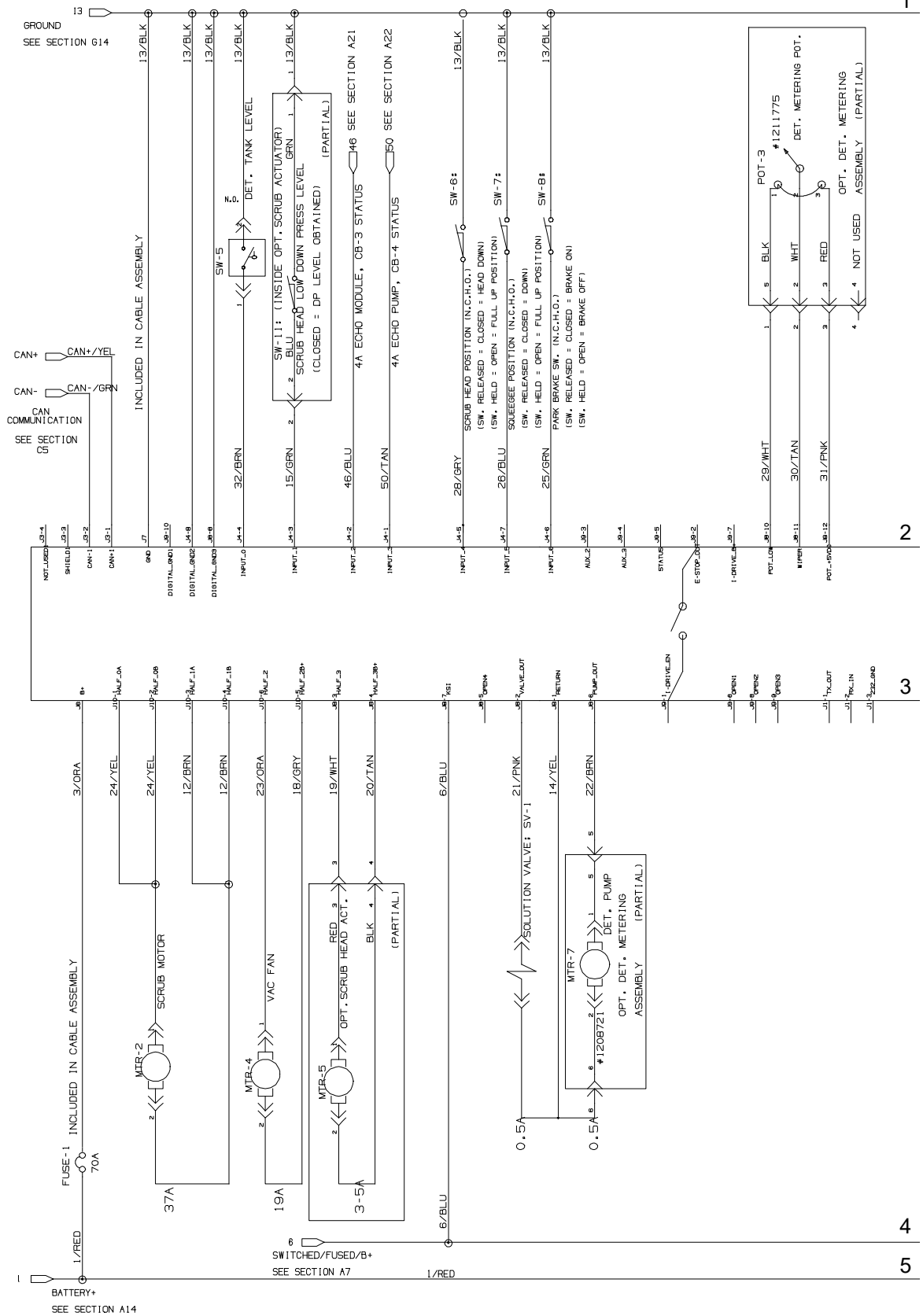




ELECTRICAL DIAGRAM, PUSH (S/N 1000000 - 10891947) (PAGE 3 OF 4)

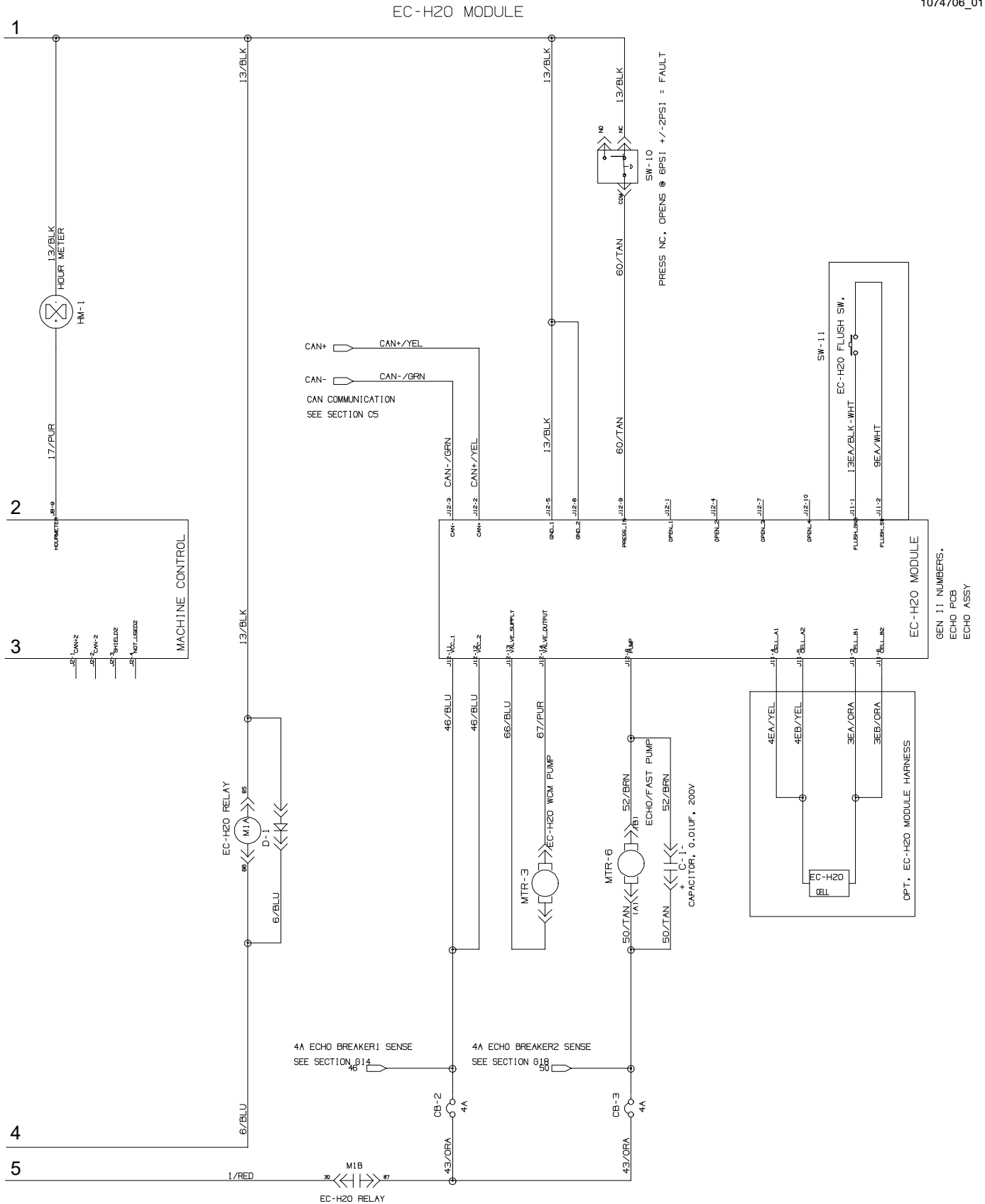
PREMIUM CONTROLLER

1074706\_01



ELECTRICAL DIAGRAM, PUSH (S/N 1000000 - 10891947) (PAGE 4 OF 4)

1074706\_01









ELECTRICAL HARNESS, MAIN PROPEL (S/N 10887923 - )

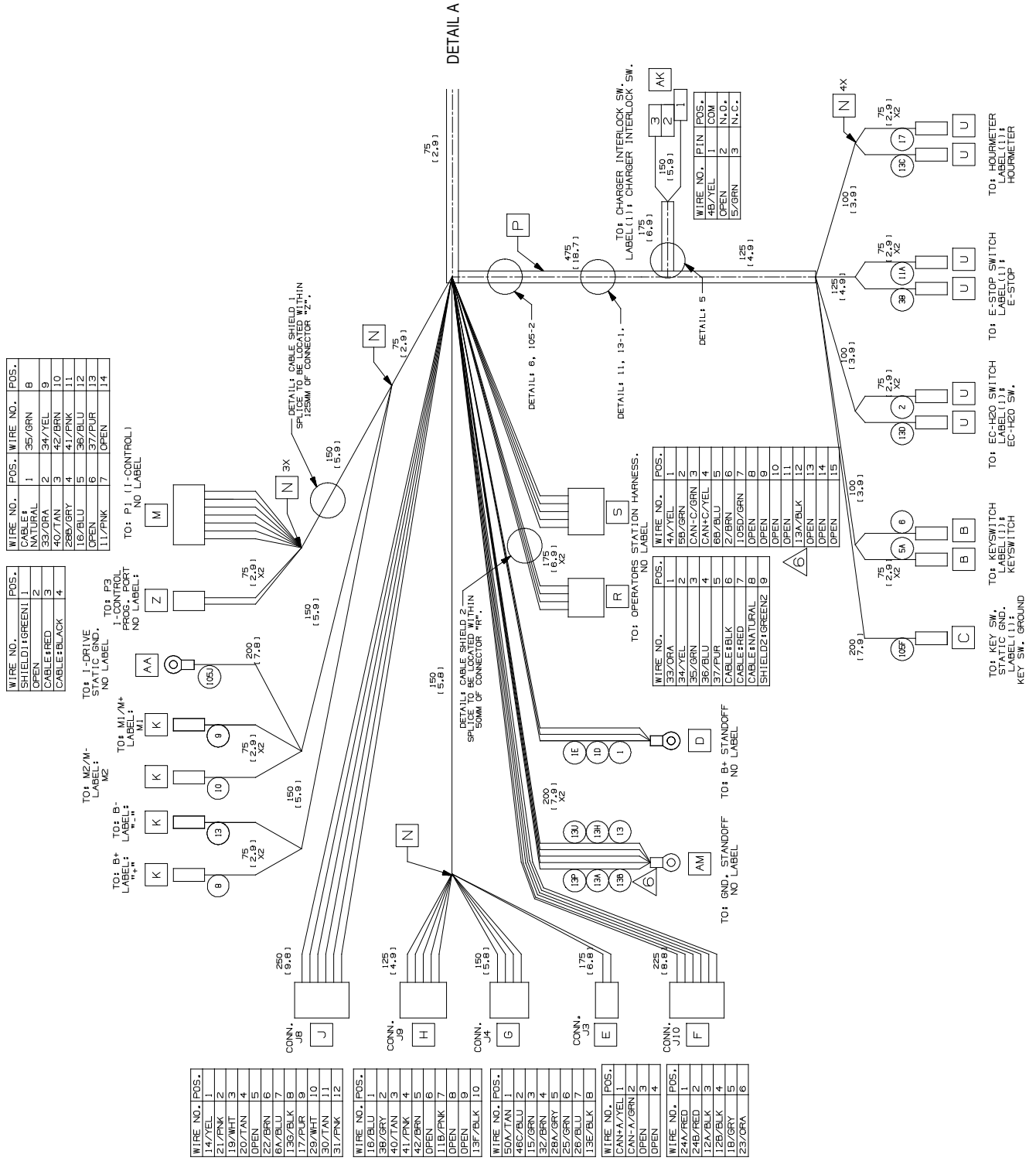
	Part No.	Serial Number	Description	Qty.
▽	9015157	(10887923- 20000000 )	Harness Kit, Main, Ele [Vw, Prem,Propel]	1
▲	222290	(10887923- 20000000 )	Diode, Ele, Plug	4
▲	1040868	(10000000- 20000000 )	Capacitor, Plug [.01 Uf, 200v]	1

▽ ASSEMBLY

▲ INCLUDED IN ASSEMBLY

ELECTRICAL HARNESS, MAIN PROPEL (S/N 10825195 - 10887922) (PAGE 1 OF 3)

1075323\_02

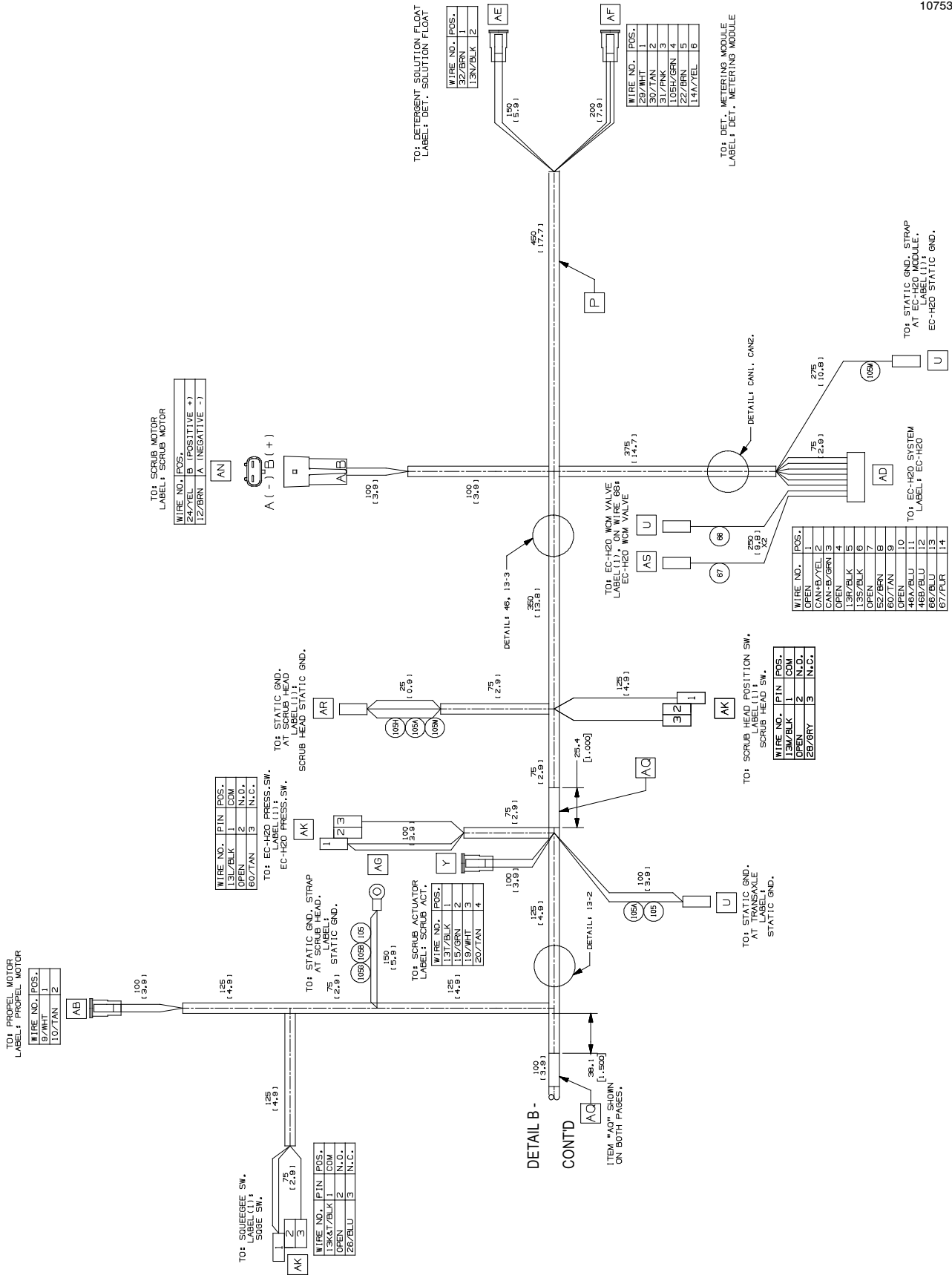






ELECTRICAL HARNESS, MAIN PROPEL (S/N 10825195 - 10887922) (PAGE 3 OF 3)

1075323\_02



**ELECTRICAL HARNESS, MAIN PROPEL (S/N 10825195 - 10887922)**

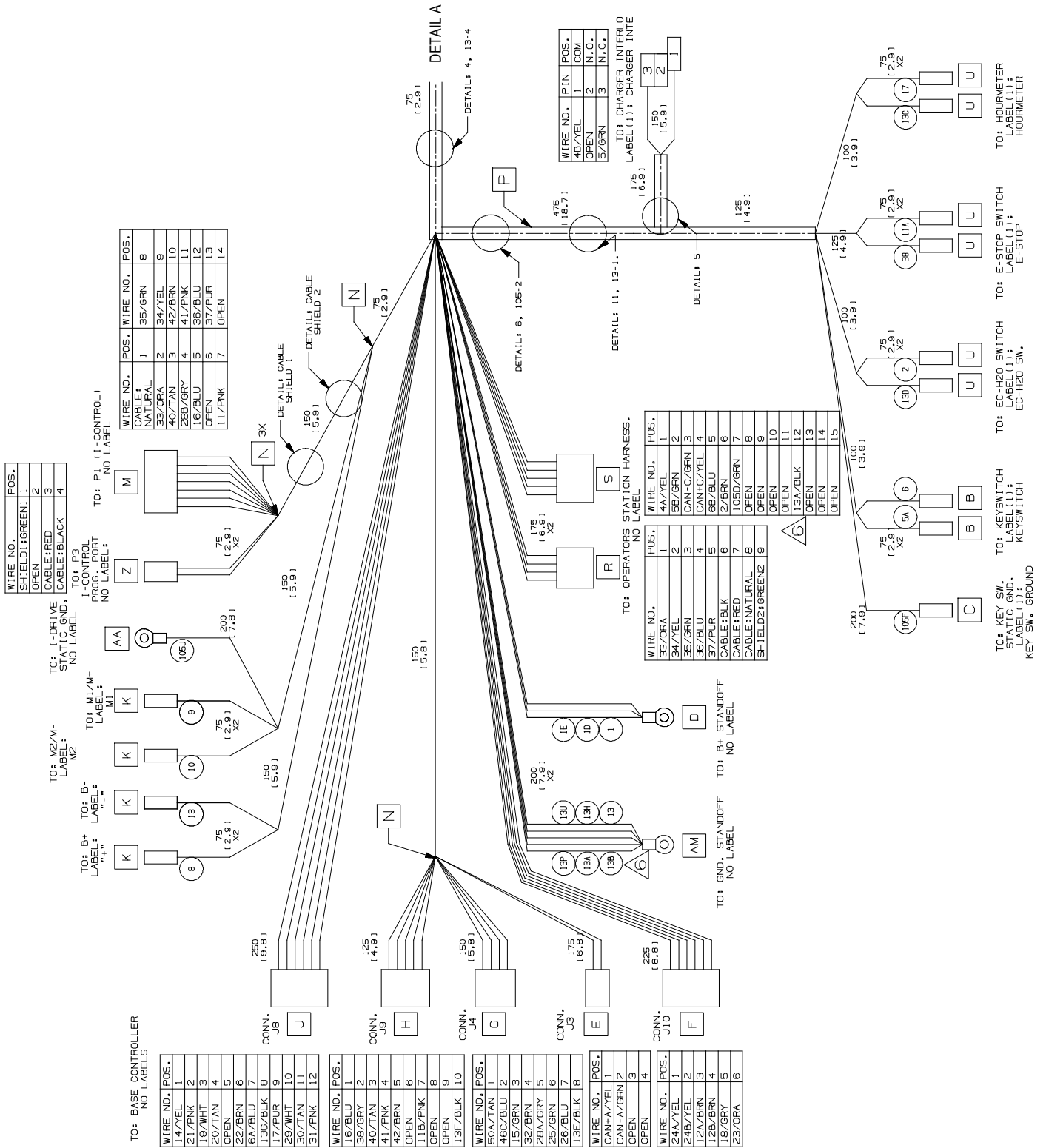
	<b>Part No.</b>	<b>Serial Number</b>	<b>Description</b>	<b>Qty.</b>
▽	1075323	(10825195- 10887922 )	Harness, Main, Ele [Vw, Premium, Propel] (Replaced By 9015157)	1
▲	222290	(10000000- 10887922 )	Diode, Ele, Plug	3
▲	1040868	(10000000- 20000000 )	Capacitor, Plug [.01 Uf, 200v]	1

▽ ASSEMBLY

▲ INCLUDED IN ASSEMBLY

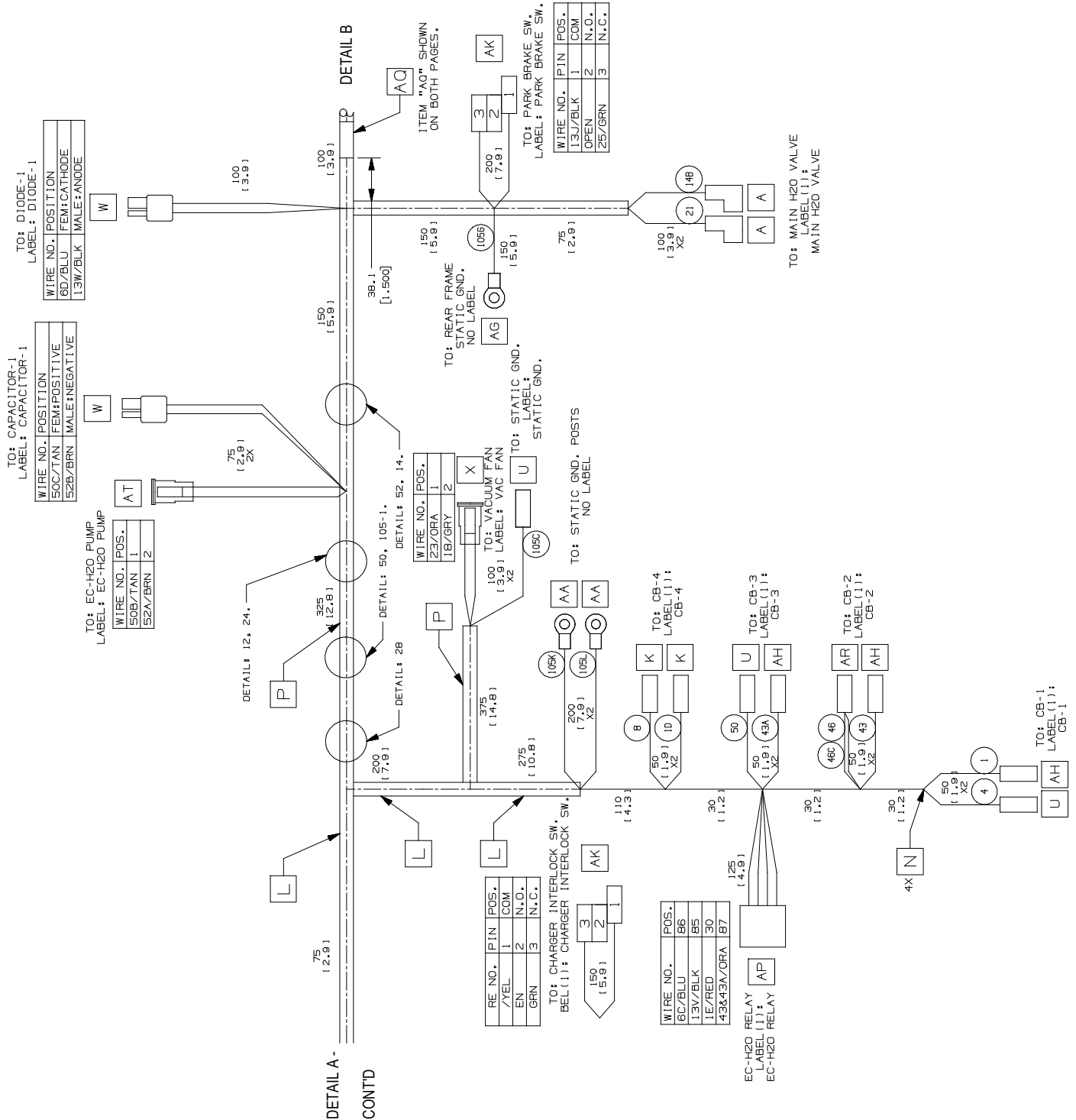
ELECTRICAL HARNESS, MAIN PROPEL (S/N 1000000 - 10825194) (PAGE 1 OF 3)

1073678



ELECTRICAL HARNESS, MAIN PROPEL (S/N 1000000 - 10825194) (PAGE 2 OF 3)

1073678





**ELECTRICAL HARNESS, MAIN PROPEL (S/N 10000000 - 10825194)**

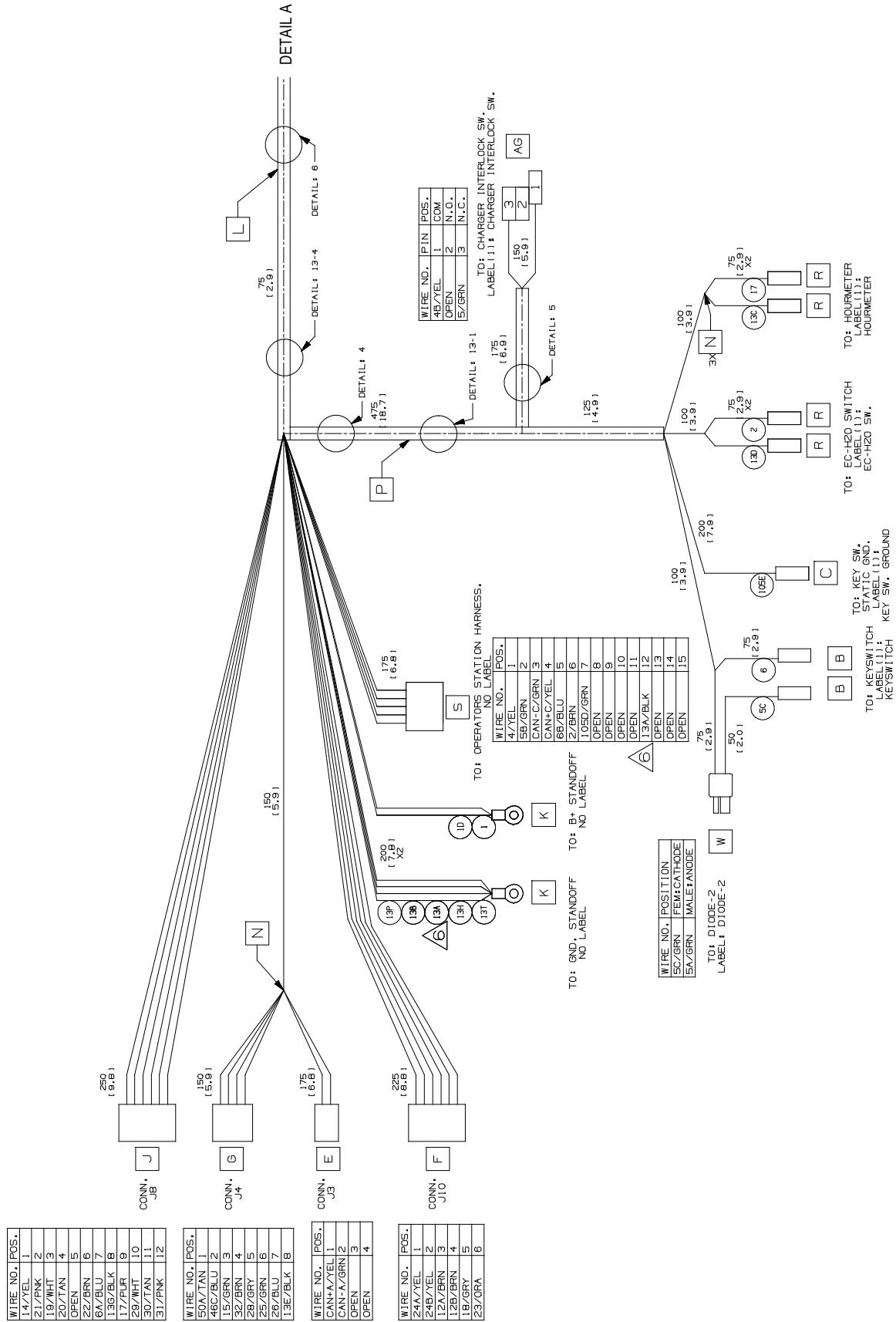
	<b>Part No.</b>	<b>Serial Number</b>	<b>Description</b>	<b>Qty.</b>
▽	1073678	(10000000- 10825194 )	Harness, Main, Ele [Vw, Premium, Propel] (Replaced By 9015157)	1
▲	222290	(10000000- 20000000 )	Diode, Ele, Plug	3
▲	1040868	(10000000- 20000000 )	Capacitor, Plug [.01 Uf, 200v]	1

▽ ASSEMBLY

▲ INCLUDED IN ASSEMBLY

ELECTRICAL HARNESS, MAIN PUSH (S/N 10891948 - ) (PAGE 1 OF 3)

1076143\_02

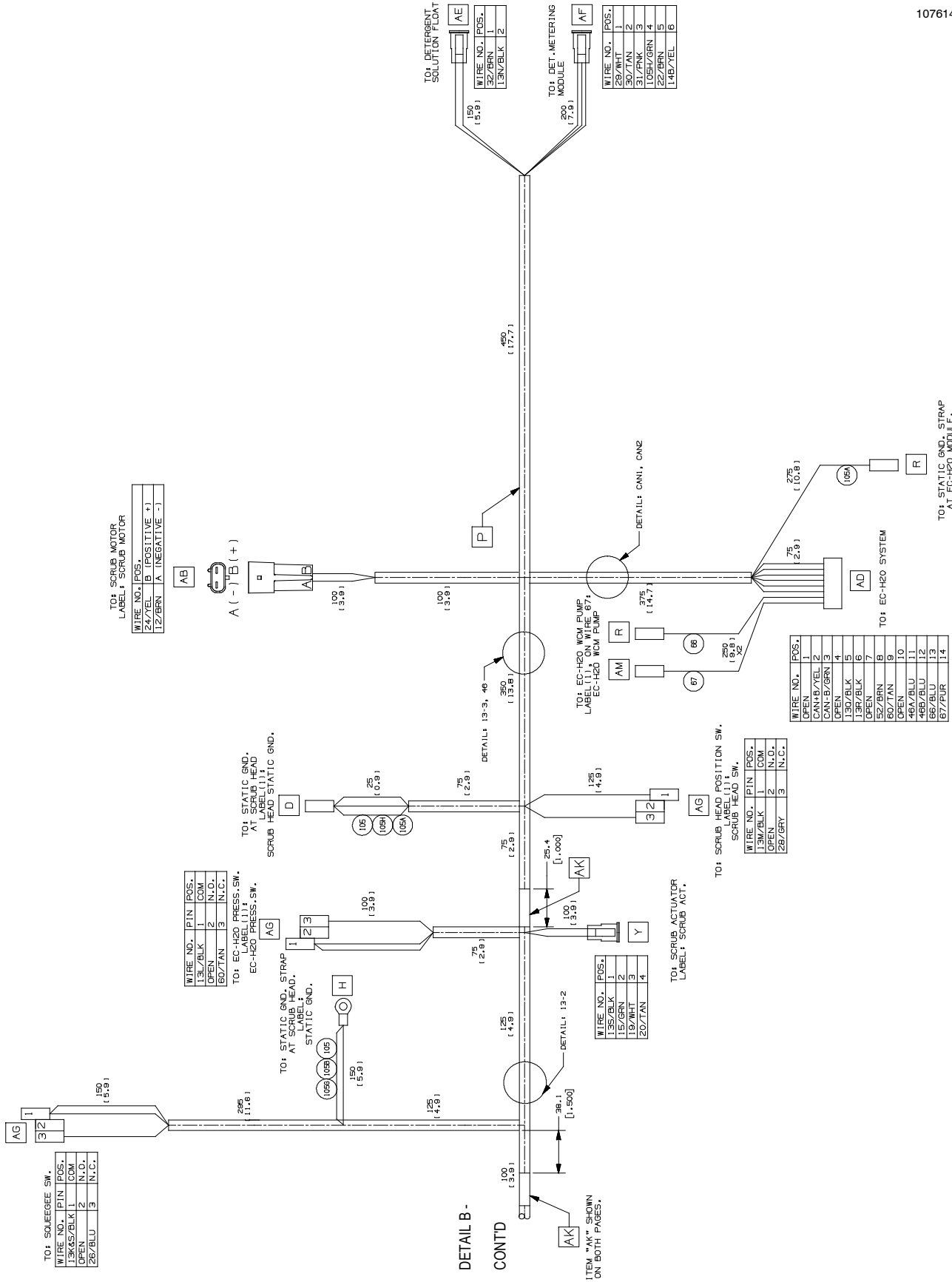






ELECTRICAL HARNESS, MAIN PUSH (S/N 10891948 - ) (PAGE 3 OF 3)

1076143\_02



ELECTRICAL HARNESS, MAIN PUSH (S/N 10891948 - )

	Part No.	Serial Number	Description	Qty.
▽	9015158	(10891948- 20000000 )	Harness Kit, Main, Ele [Vw, Prem, Push]	1
▲	222290	(10000000- 20000000 )	Diode, Ele, Plug	4
▲	1040868	(10000000- 20000000 )	Capacitor, Plug [.01 Uf, 200v]	1

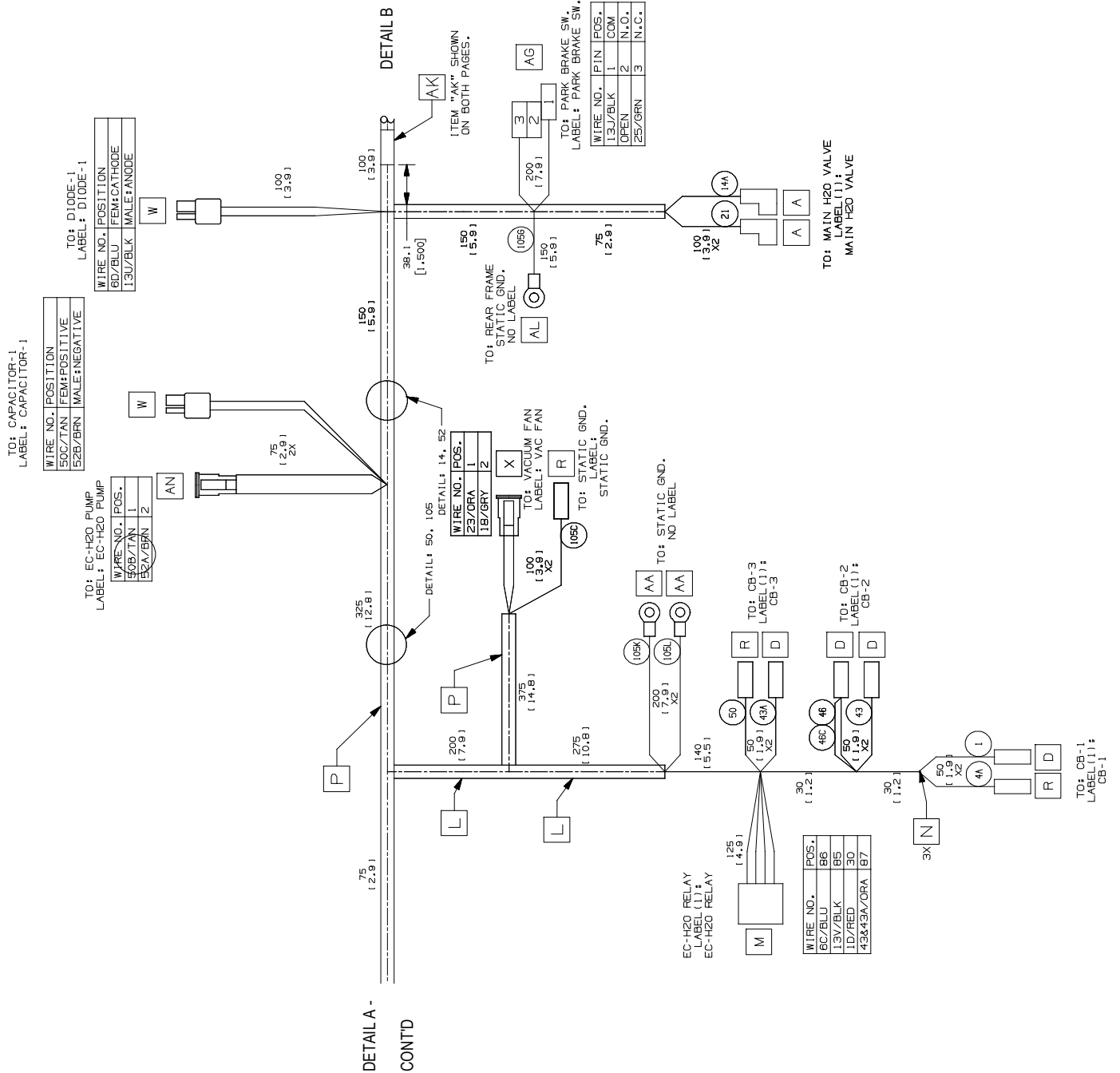
▽ ASSEMBLY

▲ INCLUDED IN ASSEMBLY



ELECTRICAL HARNESS, MAIN PUSH (S/N 10838962 - 10891947) (PAGE 2 OF 3)

1075324\_02





---

**ELECTRICAL HARNESS, MAIN PUSH (S/N 10838962 - 10891947)**

	<b>Part No.</b>	<b>Serial Number</b>	<b>Description</b>	<b>Qty.</b>
▽	1075324	(10838962- 10891947 )	Harness, Main, Ele [Vw, Premium, Push] (Replaced By 9015158)	1
▲	222290	(10000000- 10891947 )	Diode, Ele, Plug	3
▲	1040868	(10000000- 20000000 )	Capacitor, Plug [.01 Uf, 200v]	1

▽ ASSEMBLY

▲ INCLUDED IN ASSEMBLY

ELECTRICAL HARNESS, MAIN PUSH (S/N 1000000 - 10838961) (PAGE 1 OF 3)

1073679

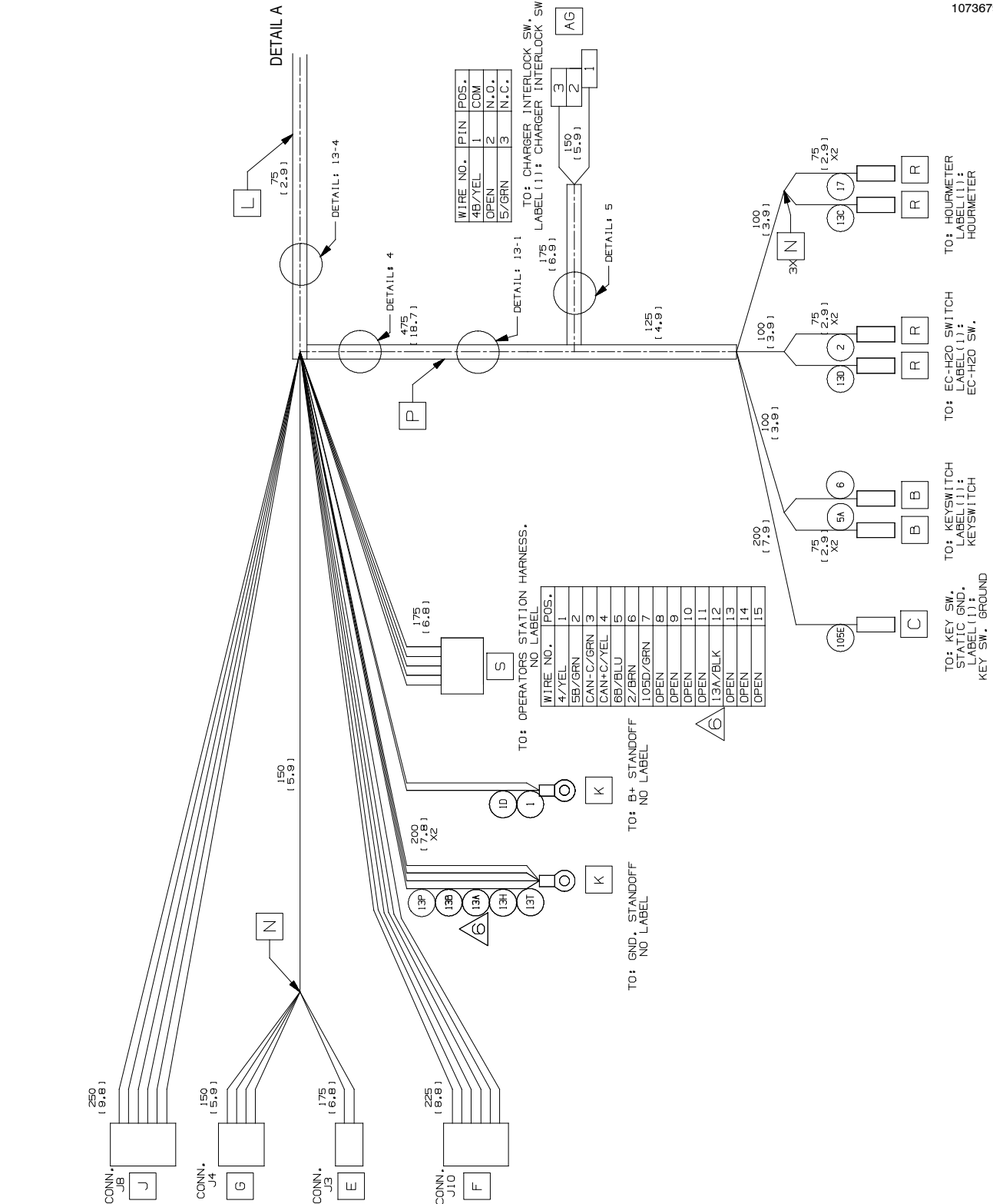
TO: BASE CONTROLLER  
NO LABELS

WIRE NO.	PIN	POS.
14	YEL	1
21	PNK	2
19	WHT	3
20	TAN	4
OPEN		5
22	BRN	6
6A	BLU	7
13G	BLK	8
17	PLUR	9
29	WHT	10
30	TAN	11
31	PNK	12

WIRE NO.	PIN	POS.
50A	TAN	1
46C	BLU	2
15	GRN	3
32	BRN	4
28	GRY	5
25	GRN	6
26	BLU	7
13E	BLK	8

WIRE NO.	PIN	POS.
CAN	A/YEL	1
CAN	A/GRN	2
OPEN		3
OPEN		4

WIRE NO.	PIN	POS.
24A	YEL	1
24B	YEL	2
12A	BRN	3
12B	BRN	4
18	GRY	5
23	ORA	6









**ELECTRICAL HARNESS, MAIN PUSH (S/N 10000000 - 10838961)**

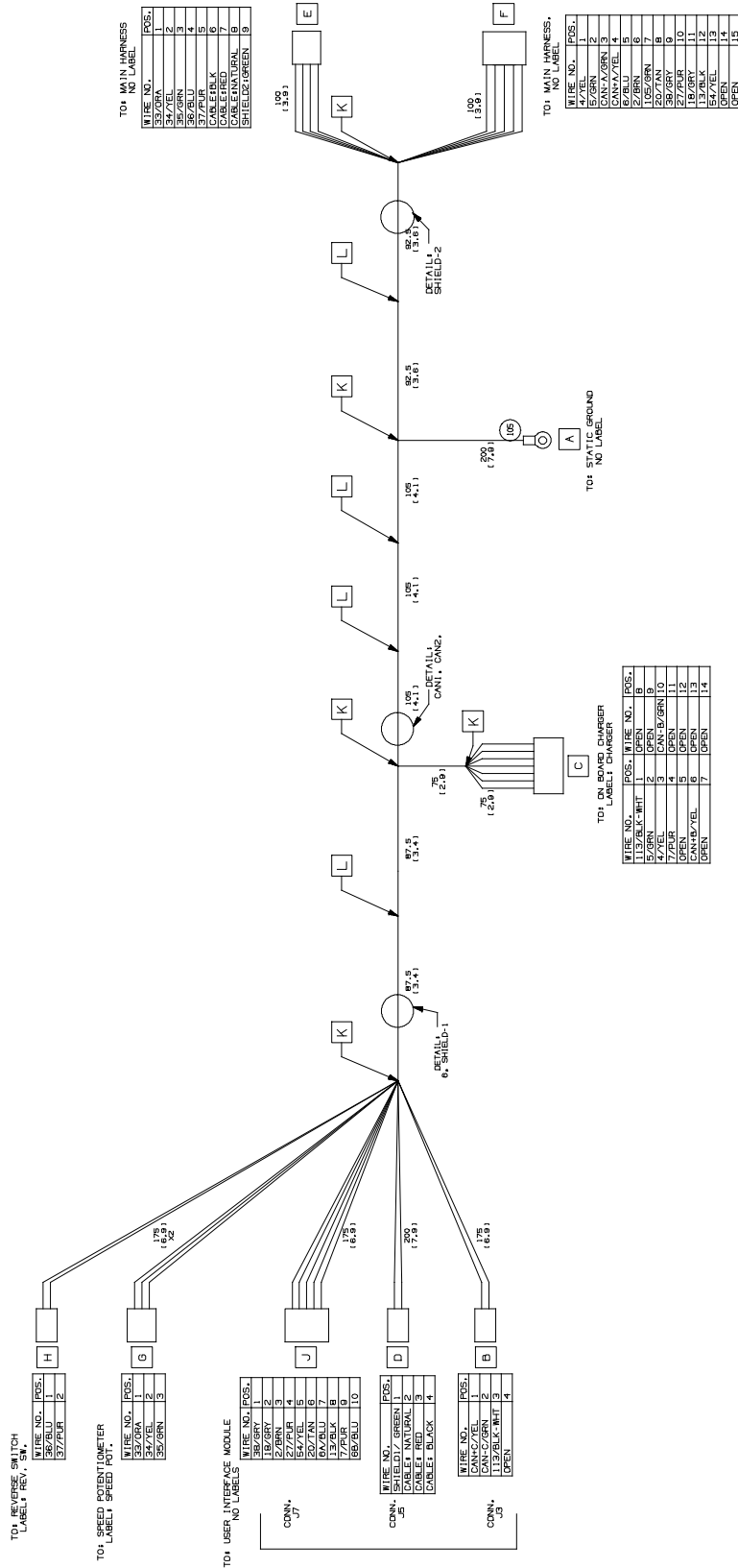
	<b>Part No.</b>	<b>Serial Number</b>	<b>Description</b>	<b>Qty.</b>
▽	1073679	(10000000- 10838961 )	Harness, Main, Ele [Vw, Premium, Push] (Replaced By 9015158)	1
▲	222290	(10000000- 20000000 )	Diode, Ele, Plug	3
▲	1040868	(10000000- 20000000 )	Capacitor, Plug [.01 Uf, 200v]	1

▽ ASSEMBLY

▲ INCLUDED IN ASSEMBLY

ELECTRICAL HARNESS, OPERATOR PROPEL

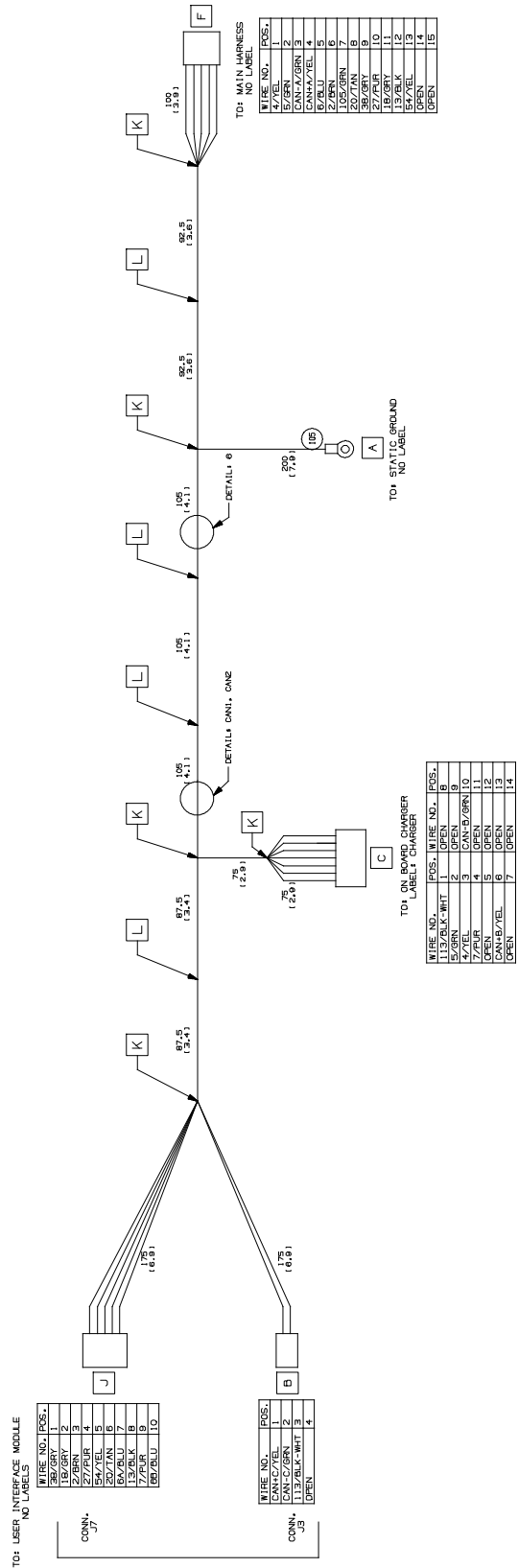
1073592



Part No.	Serial Number	Description	Qty.
1073592	(1000000-2000000 )	Harness, Ele [Vw, Op.Sta, Propel ]	1

ELECTRICAL HARNESS, OPERATOR PUSH

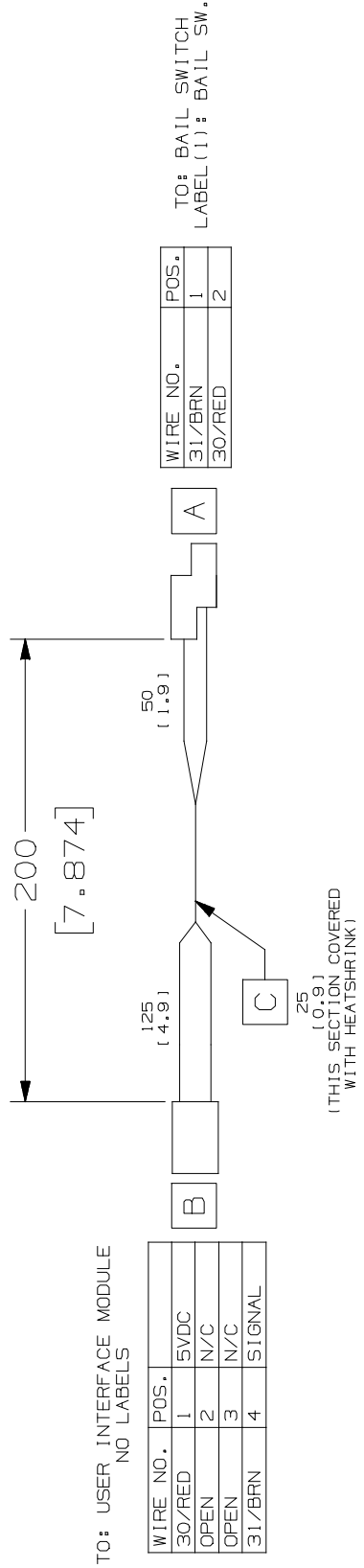
1073593



Part No.	Serial Number	Description	Qty.
1073593	(10000000-20000000 )	Harness, Ele [Vw, Op.Stat, Push]	1

ELECTRICAL HARNESS, BAIL SWITCH

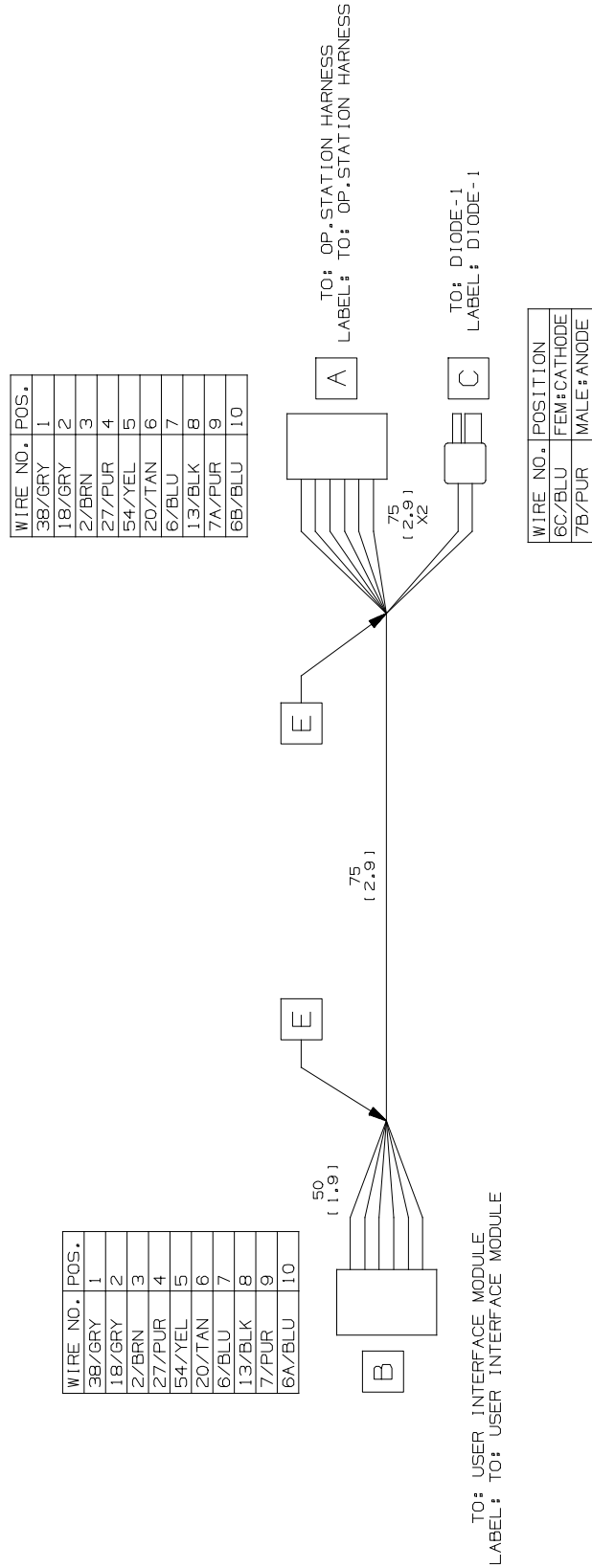
1072524



Part No.	Serial Number	Description	Qty.
1072524	(10000000-20000000 )	Harness, Ele [Bail Switch]	1

ELECTRICAL HARNESS, ADAPTER (TELEMETRY MODELS)

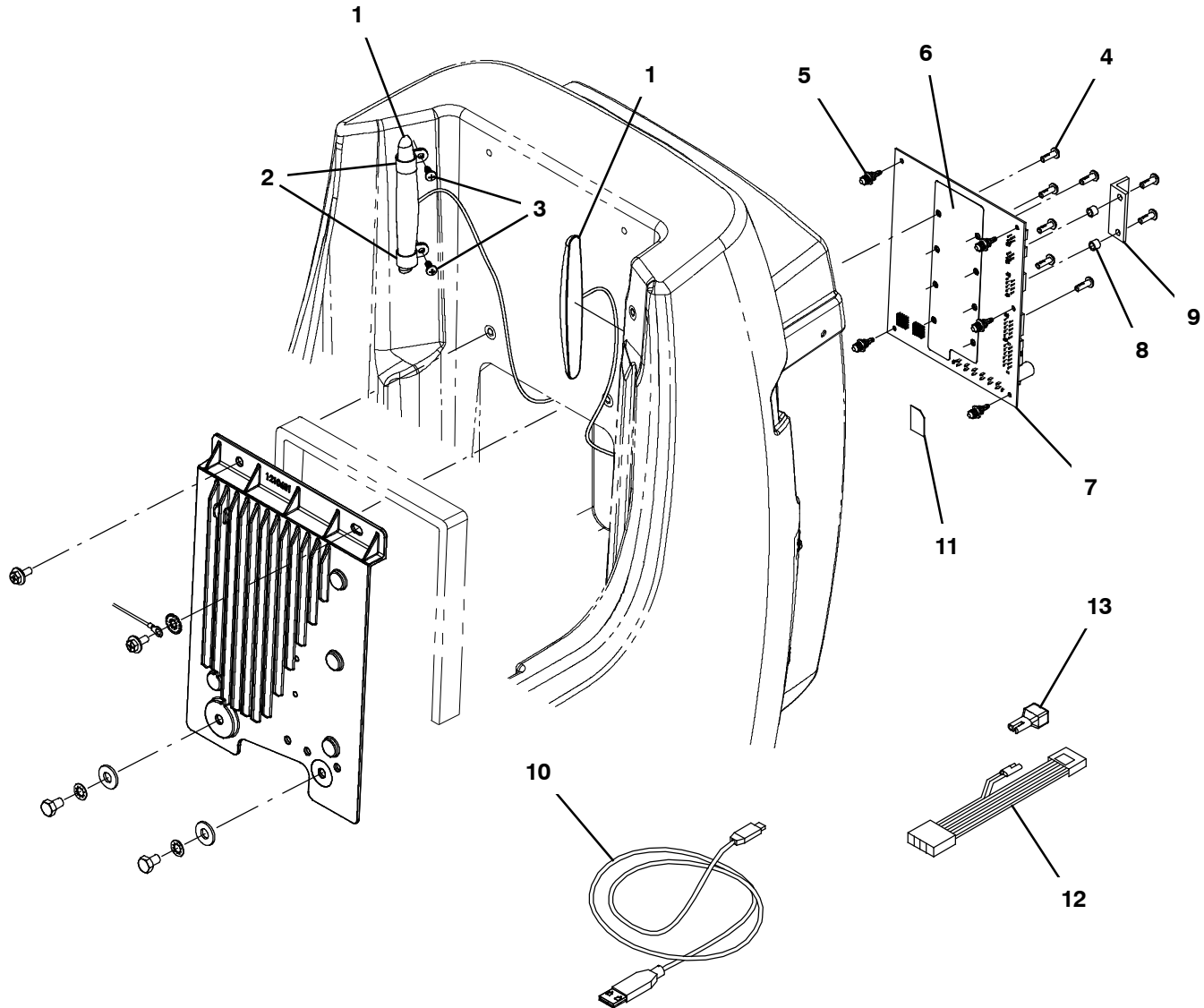
1075195



Part No.	Serial Number	Description	Qty.
1075195	(10830389- 20000000 )	Harness, Ele, Adaptor [T300, Amii]	1
222290	(10830389- 20000000 )	Diode, Ele, Plug	1

TELEMETRY GROUP

355764





TELEMETRY GROUP

Ref.	Part No.	Serial Number	Description	Qty.
1	1247569	(10972936- 20000000 )	Antenna, Telem [4g, 36"]	2
1	315724	(10000000- 10972935 )	Antenna, Telem, 18.0 In [Gprs] (Replaced By 1247569)	1
	768531	(10000000- 20000000 )	Sleeve, Heatshrink, 0.38id, 06.0l	1
2	140916	(10000000- 20000000 )	Clamp, Cable, Nyl, 0.62d, Nat	2
3	1018155	(10000000- 20000000 )	Screw, Pan, Phl, M5 X 0.80 X 16, Tcut, Ss	2
4	1205799	(10000000- 20000000 )	Screw, Btn, M5 X 0.8 X 16, 8.8, NI, Torx	9
5	1209448	(10000000- 20000000 )	Standoff, Circuitboard, .25	5
6	1210381	(10000000- 20000000 )	Circuitboard, Silpad [Vw, Lower]	1
▽	7 9014185*	(10000000- 20000000 )	Kit, Circuitboard, Telem, Ci [T300]	1
▲	27964	(10000000- 20000000 )	Strap, Ground, Static, Disposable	1
▲	130773	(10000000- 20000000 )	Tie, Cable, Nyl, 11.0l, .14w, 3.0 Max. D	2
▲	8 1227815	(10000000- 20000000 )	Spacer, Unthreaded, Aluminium	2
▲	9 1227812	(10000000- 20000000 )	Bracket, Sma Connector	1
▲	10 1071235	(10000000- 20000000 )	Cable [Usb, 2m, A- Male To Mini- B- Male]	1
	11 9014186	(10000000- 20000000 )	Kit, Telem, Ci [Sim, Usa, T300]	1
	11 9014187	(10000000- 20000000 )	Kit, Telem, Ci [Sim, Intl, T300]	1
▽	9015197	(10000000- 10830388 )	Harness Kit, Amii, Ci [T300] (Kit Needed to Add Battery Charger Communication Functionality to Telemetry Models)	1
▲	12 1075195	(10830389- 20000000 )	Harness, Ele, Adaptor [T300, Am2]	1
▲	13 222290	(10830389- 20000000 )	Diode, Ele, Plug	1

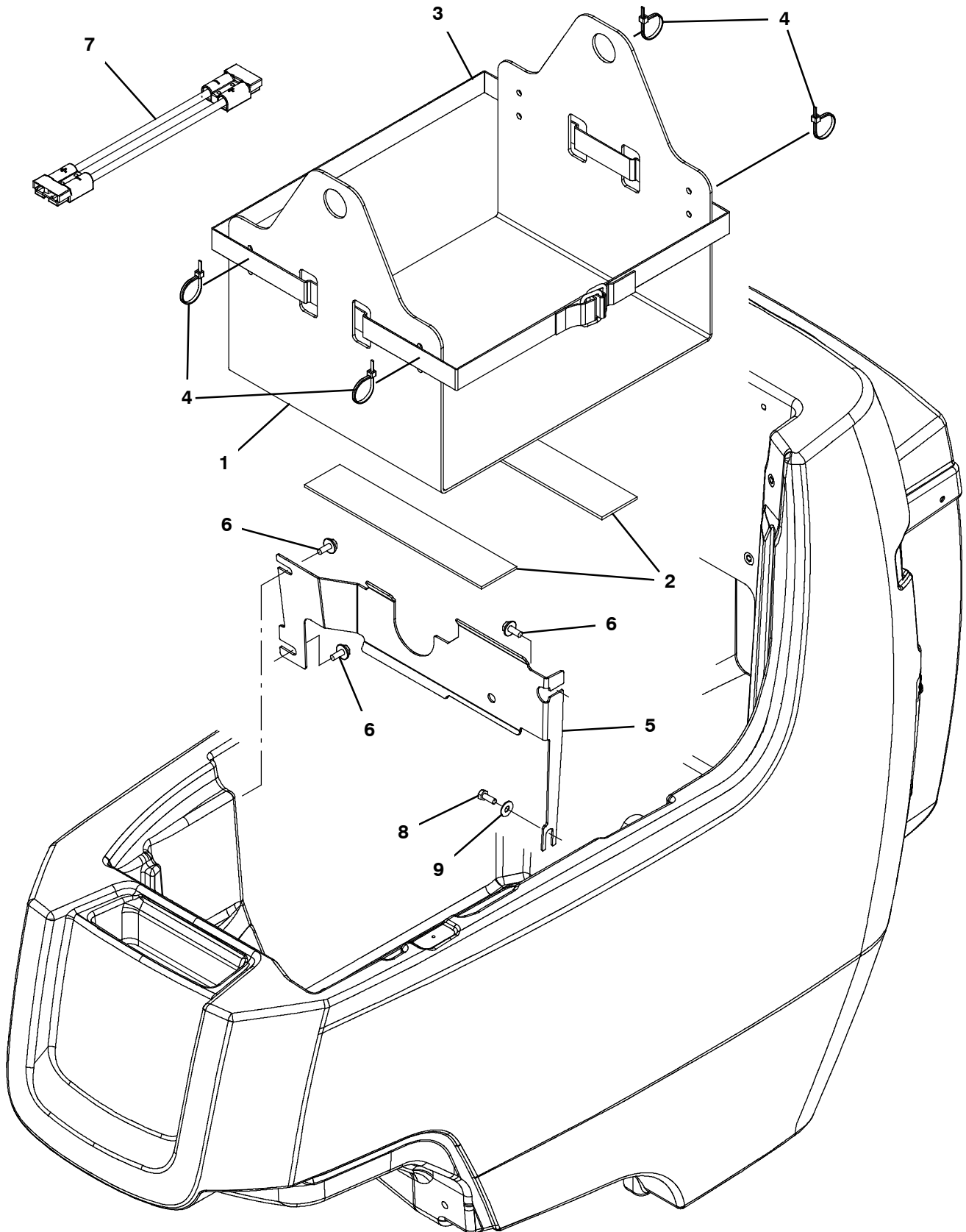
\* Requires Tennant *True* service or an authorized Tennant service provider.

▽ ASSEMBLY

▲ INCLUDED IN ASSEMBLY

BATTERY LIFT OUT BOX KIT

355306



**BATTERY LIFT OUT BOX KIT**

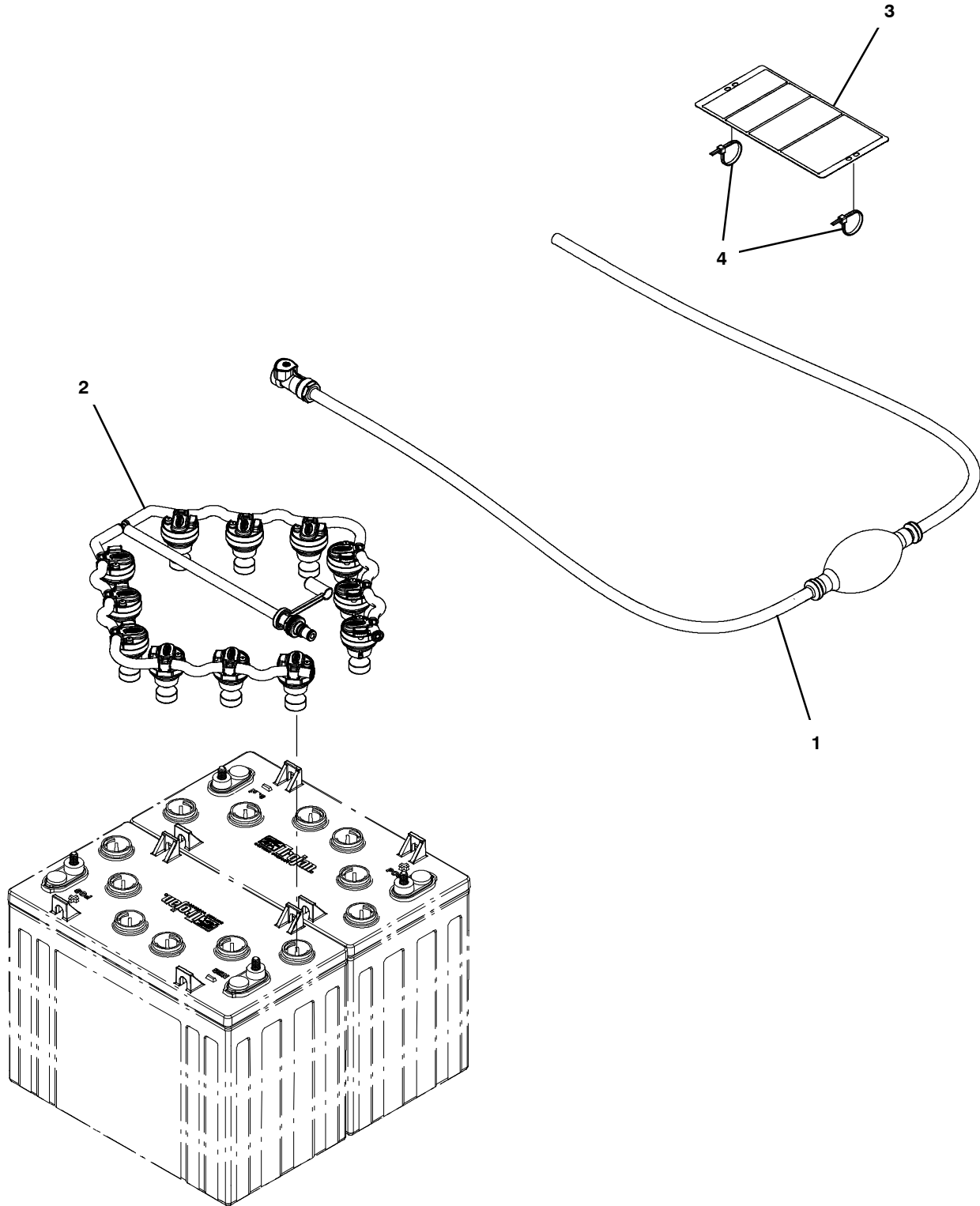
	<b>Ref.</b>	<b>Part No.</b>	<b>Serial Number</b>	<b>Description</b>	<b>Qty.</b>
▽		9014173	(10000000- 20000000 )	Box Kit, Lift, Batt, Am [T300/E/Ss300] (Additional Battery Cable Kit May Also Be Required)	1
▲	1	1207816	(10000000- 20000000 )	Box, Battery [Lift- Out]	1
▲	2	1212689	(10000000- 20000000 )	Pad, Box, Battery	2
▲	3	1208697	(10000000- 20000000 )	Strap, Pyp, Buckle, Friction	1
▲	4	130773	(10000000- 20000000 )	Tie, Cable, Nyl, 11.0l, .14w, 3.0 Max. D	4
▲	5	1214509	(10000000- 20000000 )	Bracket, Deflector, Battery	1
▲	6	1034731	(10000000- 20000000 )	Screw, Hex, M6 X 1.00 X 16, Sems, Ss	4
▲	7	1074798	(10000000- 20000000 )	Cable, Adaptor, Batt [Sb120- Sb50, Red] (Off- Board Charger Models Only)	1
▲	8	11329	(10000000- 20000000 )	Screw, Hex, M6 X 1.00 X 16, NI, Ss	1
▲	9	01684	(10000000- 20000000 )	Washer, Flat, 0.27b 0.69d .05, Ss	1

▽ ASSEMBLY

▲ INCLUDED IN ASSEMBLY

MANUAL BATTERY WATERING SYSTEM (S/N 11028698 - )

355837



**MANUAL BATTERY WATERING SYSTEM (S/N 11028698 - )**

	<b>Ref.</b>	<b>Part No.</b>	<b>Serial Number</b>	<b>Description</b>	<b>Qty.</b>
▽		9021730*	(11028698- 20000000 )	Fill Kit, D, 2 Btry, Mnl, Ci [Trojan]	1
▲	1	1236295	(11028698- 20000000 )	Pump, Hand, Battery	1
▲	2	1257356	(11028698- 20000000 )	Manifold Assy, Water, D, 2 Btry [Trojan]	1
▲	3	1253250	(11028698- 20000000 )	Label, Tag, Battery [Bwt Watering]	1
▲	4	130773	(10000000- 20000000 )	Tie, Cable, Nyl, 11.0l, .14w, 3.0 Max. D	2

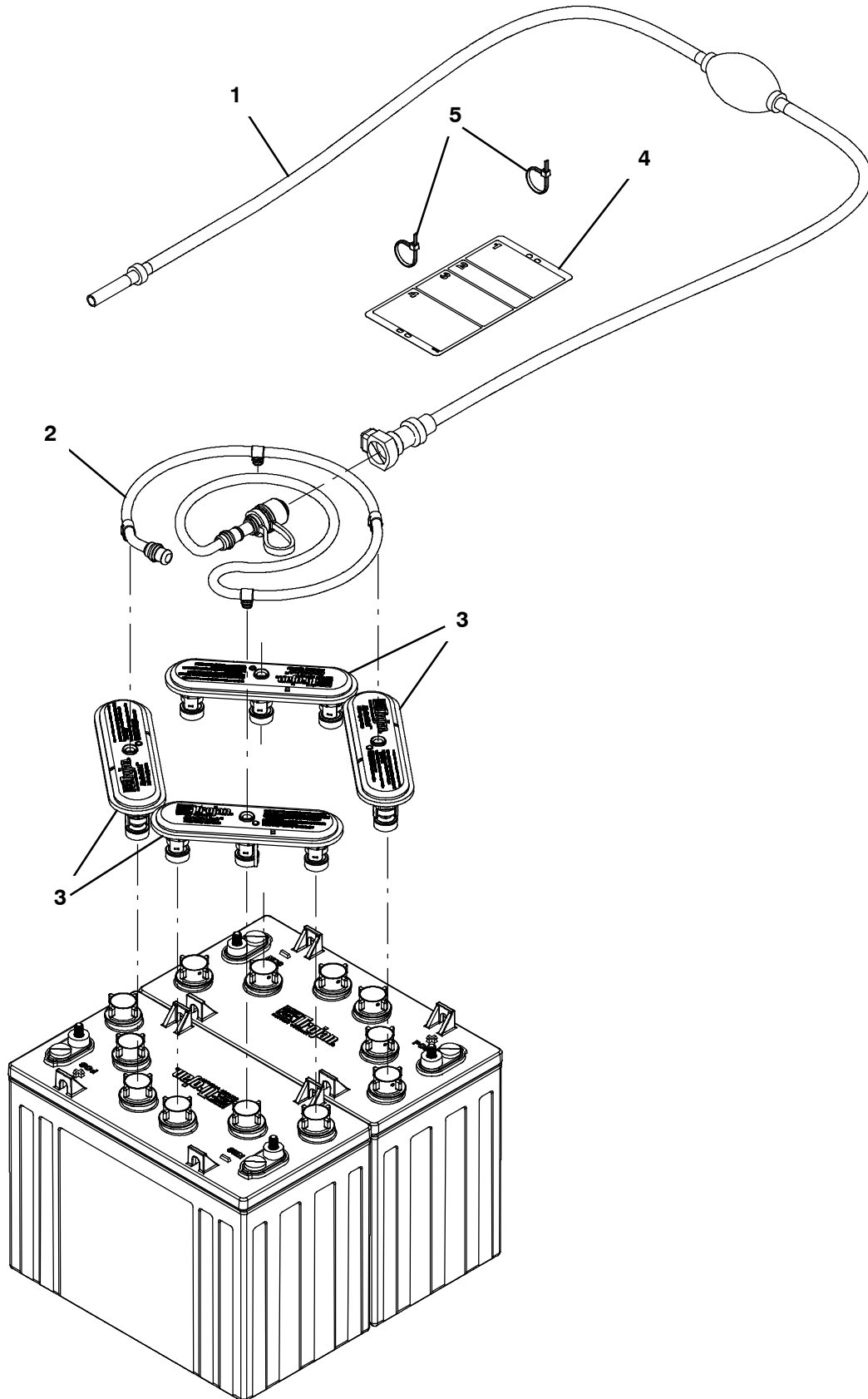
\*THIS KIT IS INTENDED FOR USE WITH TROJAN® LEAD ACID BATTERIES ONLY.

▽ ASSEMBLY

▲ INCLUDED IN ASSEMBLY

HYDROLINK® BATTERY WATERING SYSTEM KIT (S/N 1000000 - 11028697)

355316



**HYDROLINK® BATTERY WATERING SYSTEM KIT (S/N 10000000 - 11028697)**

	<b>Ref.</b>	<b>Part No.</b>	<b>Serial Number</b>	<b>Description</b>	<b>Qty.</b>
▽		9010300*	(10000000- 11028697 )	Battery Fill Kit, 24v, Ci [Hydrolink] (Replaced By 9021730) (For Use Only With 150AH Trojan Batteries)	1
▲	1	1058939	(10000000- 11028697 )	Pump Kit, Fill, Battery	1
▲	2	1229544	(10000000- 11028697 )	Tube, Water, Battery, 24vdc [Trojan]	1
▲	3	1204142	(10000000- 11028697 )	Cap, Fill, Battery [Trojan]	4
▲	4	1071084	(10000000- 11028697 )	Label, Tag, Battery [Hydrolink Watering]	1
▲	5	130773	(10000000- 20000000 )	Tie, Cable, Nyl, 11.0l, .14w, 3.0 Max. D	2

\*THIS KIT IS INTENDED FOR USE WITH TROJAN® LEAD ACID BATTERIES ONLY.

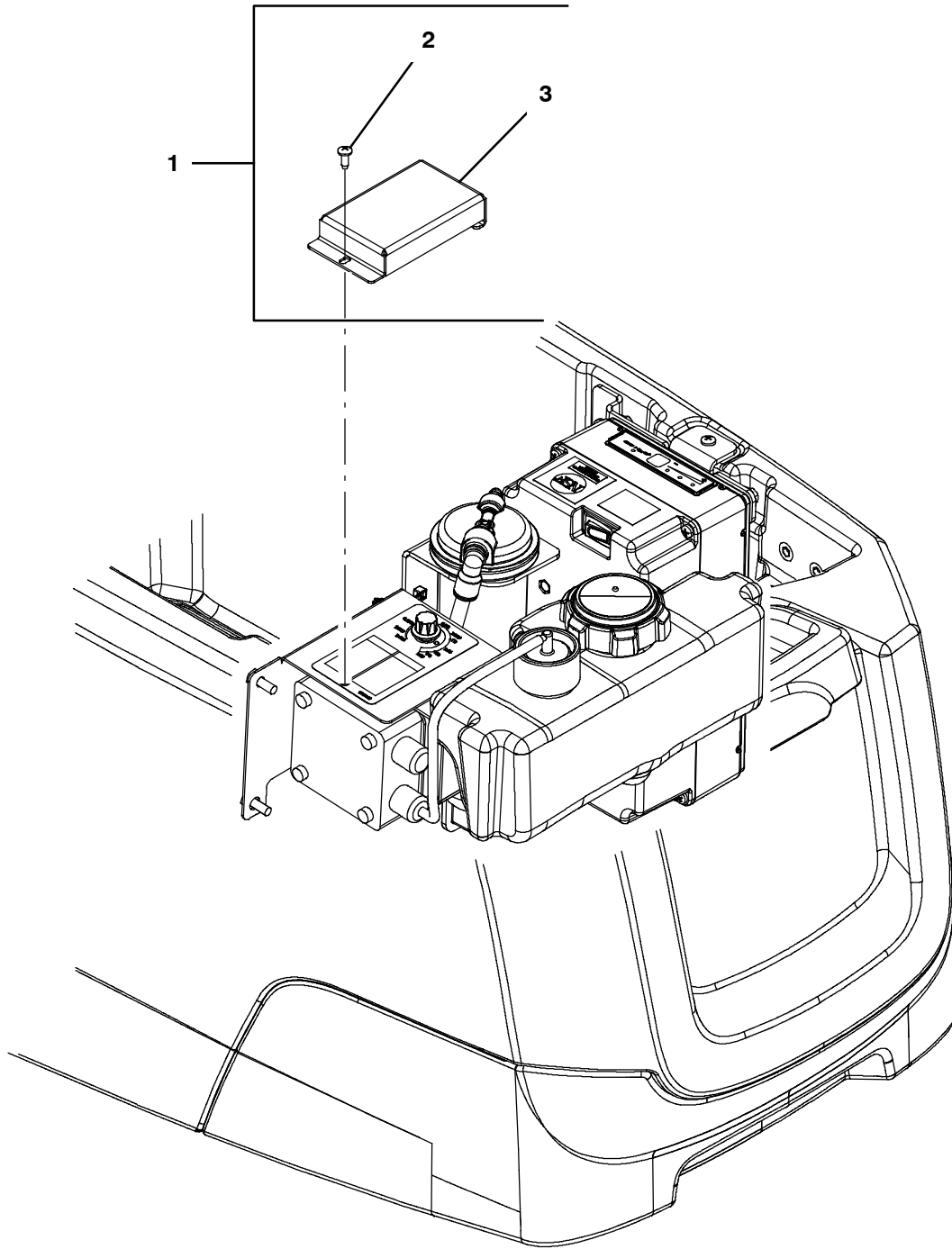
HYDROLINK® IS A REGISTERED TRADEMARK OF TROJAN BATTERY COMPANY.

▽ ASSEMBLY

▲ INCLUDED IN ASSEMBLY

SEVERE ENVIRONMENT LOCKOUT KIT

355703



	Ref.	Part No.	Serial Number	Description	Qty.
▽	1	9017884	(10000000-20000000 )	Lockout Kit, Severe Environment	1
▲	2	140350	(10000000-20000000 )	Screw, Pan, Phl, 10- 16 X 0.50, Ss[Typ25]	1
▲	3	1239732	(10000000-20000000 )	Cover, Knob, Severe Environment	1

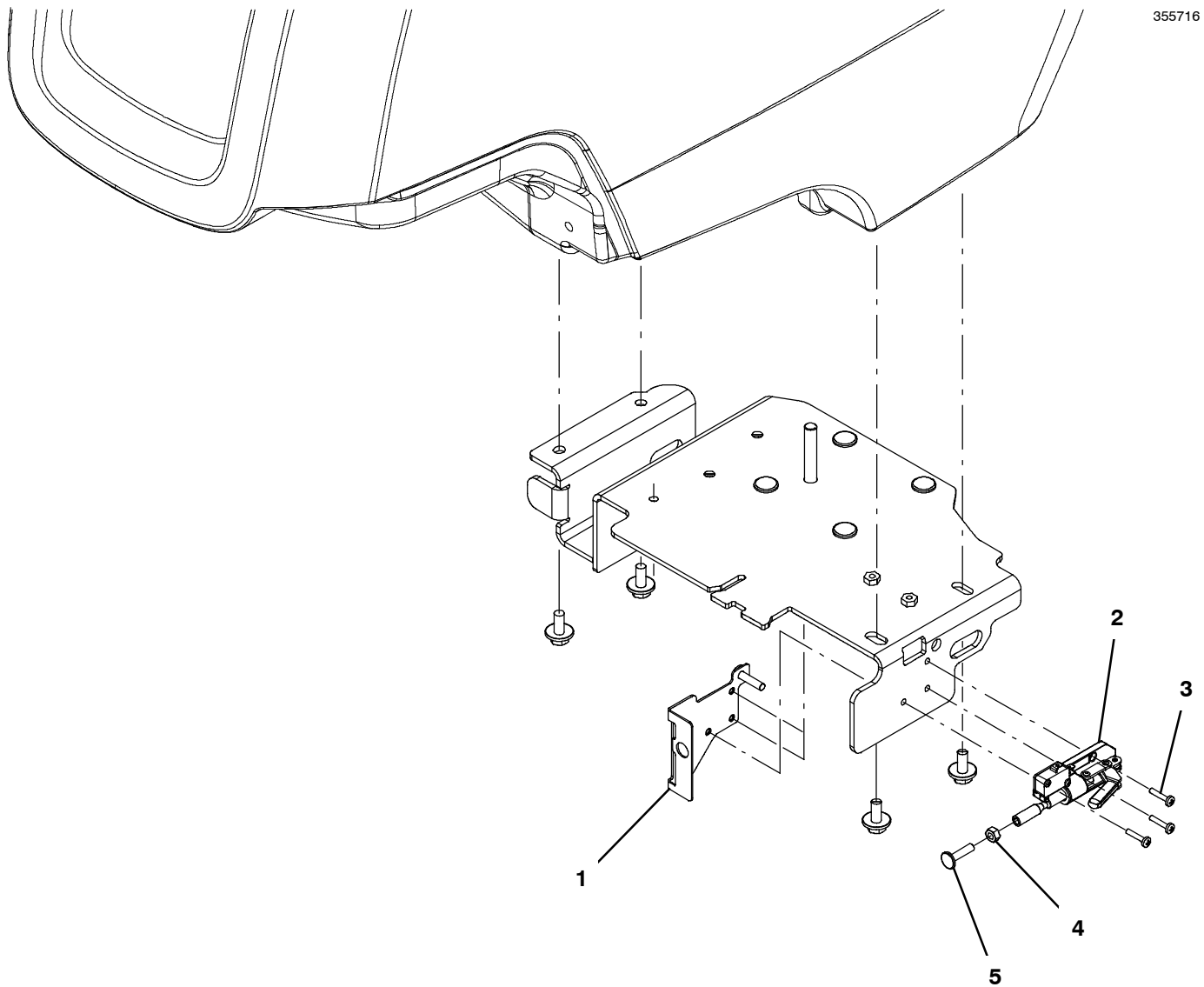
▽ ASSEMBLY

▲ INCLUDED IN ASSEMBLY



PARKING BRAKE GROUP

355716



Ref.	Part No.	Serial Number	Description	Qty.
1	1211230	(10000000- 20000000 )	Plate Wldt, Brake	1
2	1209983	(10000000- 20000000 )	Clamp, Brake, Parking	1
3	24265	(10000000- 20000000 )	Screw, Pan, Phl, M4 X 0.70 X 16, Ss	3
4	07785	(10000000- 20000000 )	Nut, Hex, Std, M6 X 1.00, Ss	1
5	1017416	(10000000- 20000000 )	Screw, Weld, M6 X 1.00 X 25, Thru, Ss	1

# OPTIONS

---

## DOCUMENTATION GROUP (ONLINE ONLY)

Ref.	Part No.	Serial Number	Description	Qty.
	9014500	(10000000- 20000000 )	Manual, Parts [T300, Na]	1
	9014501	(10000000- 20000000 )	Manual, Oprtr [T300, En, Na]	1
	9014502	(10000000- 20000000 )	Manual, Oprtr [T300, Es, Na]	1
	9014503	(10000000- 20000000 )	Manual, Oprtr [T300, Fr, Na]	1
	9014504	(10000000- 20000000 )	Instr, Wall Chart [T300, Na]	1
	9014510	(10000000- 20000000 )	Manual, Service [T300/T300e, En]	1



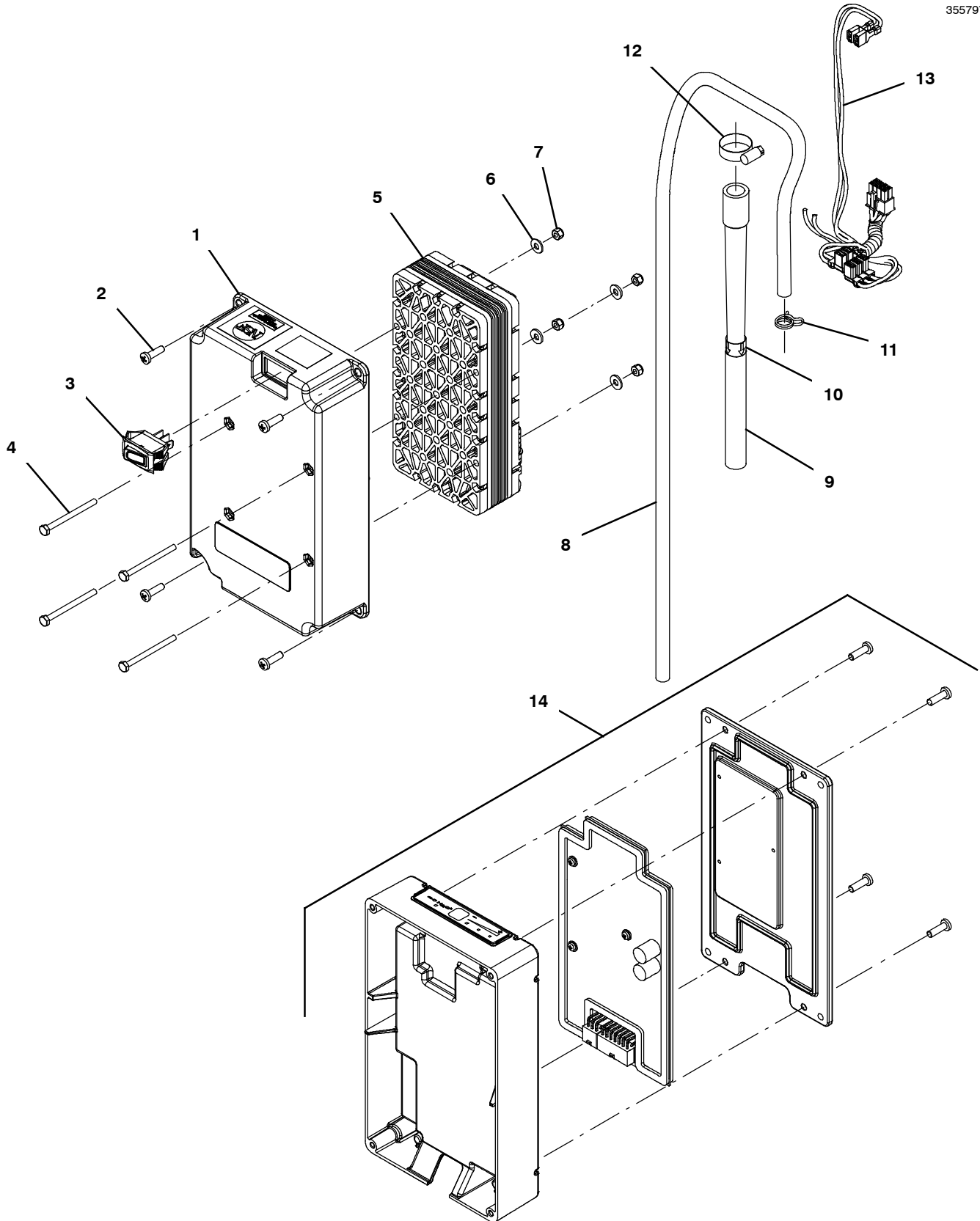
To view, print, order, download the latest Parts manual, other language Operator manuals, and Use and Care Guides (wall charts), visit:

[www.tennantco.com/manual](http://www.tennantco.com/manual)



ec- H2O NANOCLEAN MODULE BREAKDOWN 9020643  
(S/N 10998111 - )

355797



**ec- H2O NANOCLEAN MODULE BREAKDOWN 9020643  
(S/N 10998111 - )**

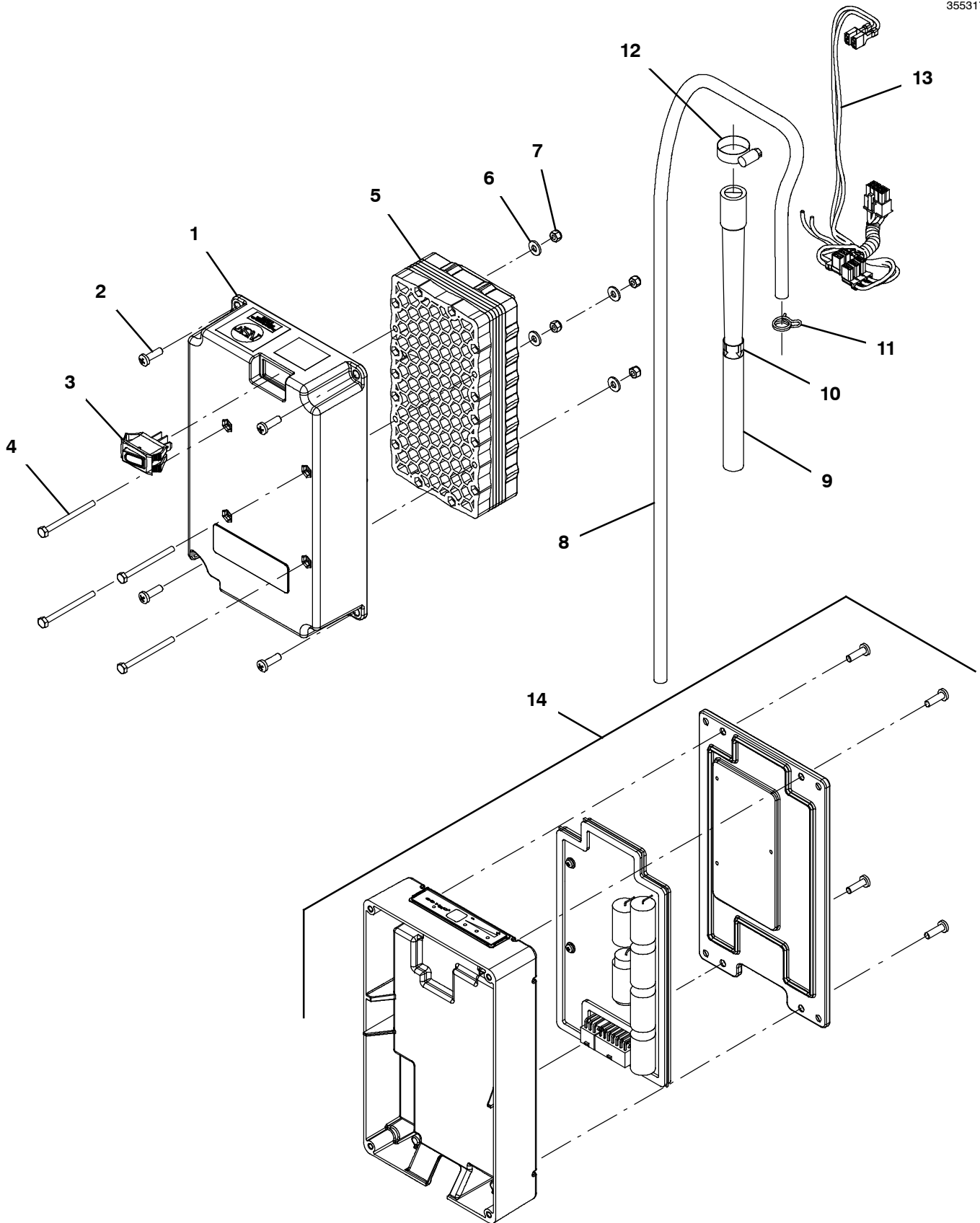
	<b>Ref.</b>	<b>Part No.</b>	<b>Serial Number</b>	<b>Description</b>	<b>Qty.</b>
▽		9020643	(10998111- 20000000 )	Module Kit, Replmt [Ec- H2o, B 02] (Includes ec- H2O NanoClean Cartridge)	1
▲▽		9014126	(10000000- 20000000 )	Ec- H2o Nc Kit [Module B, Plumbing]	1
▲▲	1	1208823	(10000000- 20000000 )	Housing, Module, Upper, Ec- H2o	1
▲▲	2	1015506	(10000000- 20000000 )	Screw, Pan, Phl, M5 X 16, Tcut [Plastic]	4
▲▲	3	1044393	(10000000- 20000000 )	Switch, Rocker, Spst, Mom	1
▲▲	4	32509	(10000000- 20000000 )	Screw, Hex, M4 X 0.70 X 50, Ss	4
▲▲	5	1233516	(10983853- 20000000 )	Electrode, 5 Plate [De Nora Tech]	1
▲▲	6	41579	(10000000- 20000000 )	Washer, Flat, 08, Ss	4
▲▲	7	33932	(10000000- 20000000 )	Nut, Hex, Lock, M4 X 0.70, NI, Ss	4
▲▲	8	1006415	(10000000- 20000000 )	Hose, Afrmkt, Pvc, Clr, 0.25id, 03ft	1
▲▲	9	1208526	(10000000- 20000000 )	Hose, Molded, Bm08/Bm06	1
▲▲	10	1049637	(10000000- 20000000 )	Label, Direction [Ec- H2o]	1
▲▲	11	613735	(10000000- 20000000 )	Clamp, Hose, Wir, .40 - .42, Yel	1
▲▲	12	54333	(10000000- 20000000 )	Clamp, Hose, Wormdrive, 0.31- 0.88d, .31w	1
▲▲	13	1073286	(10000000- 20000000 )	Harness, Ele, Module B2 [Ec- H2o]	1
▲	14	9020642	(10998111- 20000000 )	Controller Kit, Replmt [Ec- H2o Nc] (Includes ec- H2O NanoClean Cartridge)	1

▽ ASSEMBLY

▲ INCLUDED IN ASSEMBLY

ec- H2O NANOCLEAN MODULE BREAKDOWN 9011810  
(S/N 10000000 - 10998110)

355317



**ec- H2O NANOCLEAN MODULE BREAKDOWN 9011810  
(S/N 10000000 - 10998110)**

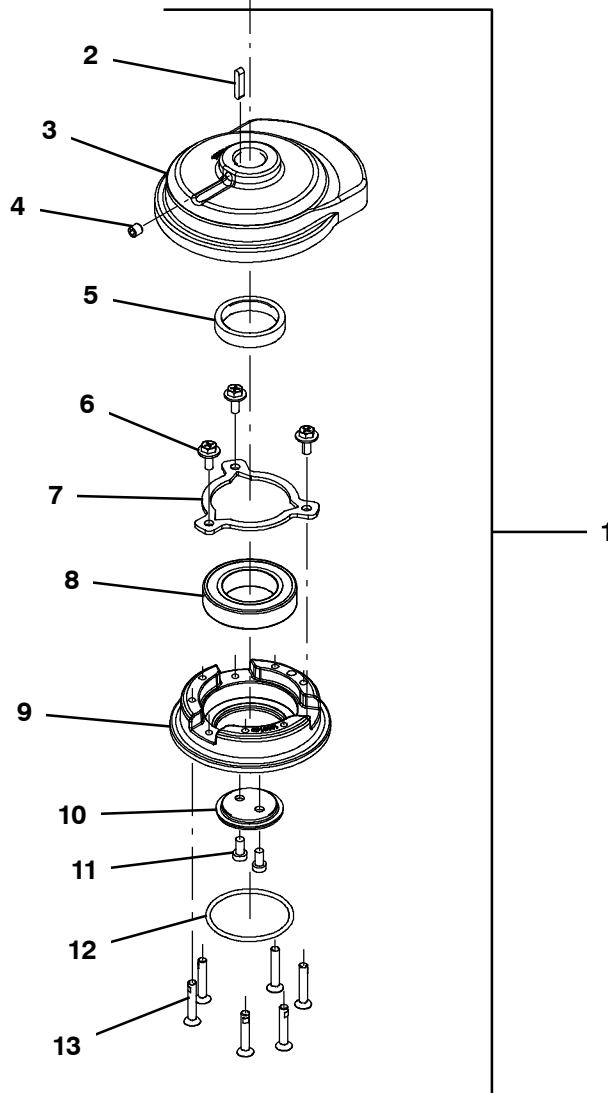
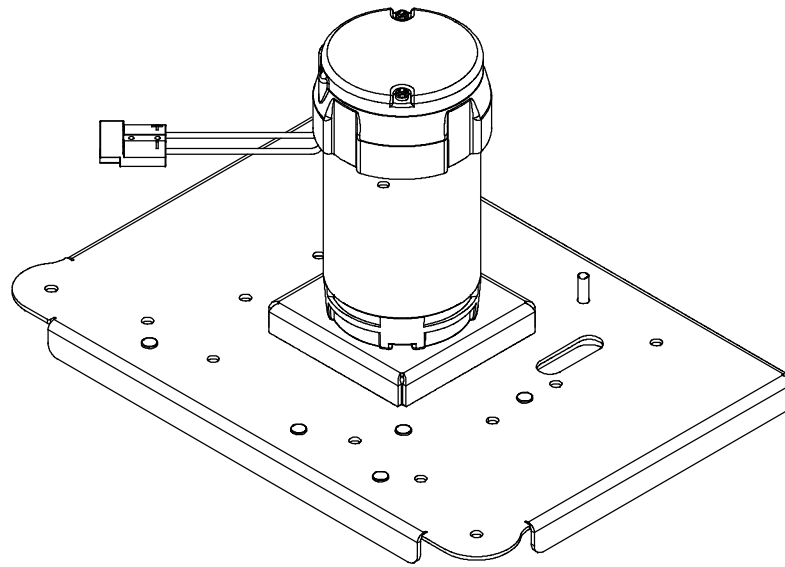
	<b>Ref.</b>	<b>Part No.</b>	<b>Serial Number</b>	<b>Description</b>	<b>Qty.</b>
▽		9011810	(10000000- 10998110 )	Module Kit, Replmt [Ec- H2o, B 02] (Includes ec- H2O NanoClean Cartridge) (Replaced By 9020643)	1
▲▽		9014126	(10000000- 20000000 )	Ec- H2o Nc Kit [Module B, Plumbing]	1
▲▲	1	1208823	(10000000- 20000000 )	Housing, Module, Upper, Ec- H2o	1
▲▲	2	1015506	(10000000- 20000000 )	Screw, Pan, Phl, M5 X 16, Tcut [Plastic]	4
▲▲	3	1044393	(10000000- 20000000 )	Switch, Rocker, Spst, Mom	1
▲▲	4	32509	(10000000- 20000000 )	Screw, Hex, M4 X 0.70 X 50, Ss	4
▲▲	5	1208164	(10000000- 10983852 )	Electrode, 5 Plate, High Flow (Replaced By 1233516)	1
▲▲	6	41579	(10000000- 20000000 )	Washer, Flat, 08, Ss	4
▲▲	7	33932	(10000000- 20000000 )	Nut, Hex, Lock, M4 X 0.70, NI, Ss	4
▲▲	8	1006415	(10000000- 20000000 )	Hose, Afrmkt, Pvc, Clr, 0.25id, 03ft	1
▲▲	9	1208526	(10000000- 20000000 )	Hose, Molded, Bm08/Bm06	1
▲▲	10	1049637	(10000000- 20000000 )	Label, Direction [Ec- H2o]	1
▲▲	11	613735	(10000000- 20000000 )	Clamp, Hose, Wir, .40 - .42, Yel	1
▲▲	12	54333	(10000000- 20000000 )	Clamp, Hose, Wormdrive, 0.31- 0.88d, .31w	1
▲▲	13	1073286	(10000000- 20000000 )	Harness, Ele, Module B2 [Ec- H2o]	1
▲	14	9014127	(10000000- 10998110 )	Controller Kit, Replmt [Ec- H2o Nc] (Includes ec- H2O NanoClean Cartridge) (Replaced By 9020642)	1

▽ ASSEMBLY

▲ INCLUDED IN ASSEMBLY

ORBITAL HEAD ECCENTRIC DRIVE BREAKDOWN

355337





## ORBITAL HEAD ECCENTRIC DRIVE BREAKDOWN

	Ref.	Part No.	Serial Number	Description	Qty.
▽	1	9014175	(00000000-	) Kit, Eccentric Assy, [T300]	1
▲	2	1014328	(00000000-	) Key, Sq, 05mm X 05mm, 25mm	1
▲	3	N/A	(00000000-	) Balance, Eccentric, Step [Machined]	1
▲	4	N/A	(00000000-	) Screw, Set, M8 X 1.25 X 8, SS	1
▲	5	N/A	(00000000-	) Spacer, Eccentric	1
▲	6	N/A	(00000000-	) Screw, Hex, M6 X 1.00 X 16, Sems	3
▲	7	N/A	(00000000-	) Plate, Retainer, Brg, Outer	1
▲	8	1206608	(00000000-	) Bearing, Ball, 1.58b 2.68d 0.59w [2seal]	1
▲	9	N/A	(00000000-	) Housing, Bearing, Outer [Machined]	1
▲	10	N/A	(00000000-	) Retainer, Bearing, Inner [Qpq]	1
▲	11	N/A	(00000000-	) Screw, Soc, M6 X 1.00 X 12, 8.8, Low	2
▲	12	1208266	(00000000-	) O- Ring, 57.15 X 3.18, Nbr	1
▲	13	1212710	(00000000-	) Screw, Flt, Soc, M6 X 1.00 X 35, 10.9,NI	6

▽ ASSEMBLY

▲ INCLUDED IN ASSEMBLY