

3-GALLON SPOT EXTRACTOR SERIES

By Ultimate Solutions | Sandia Products

Please fill out the following information for your records:

Model No: _____

Serial No: _____

Distributor Name: _____

Distributor Phone No: _____

Date of Purchase: _____



Built With Pride
in the USA



The Ultimate Solutions Group
Our Family of Companies
TOGETHER WE'RE BETTER!

Sandia
PRODUCTS

Your Ultimate Choice in
Profitable Cleaning Performance!

Ultimate Carpet Solutions
www.sandiaplastics.com



Ultimate Hard Floor Solutions
www.mercurymachines.com



Ultimate Cleaning Solutions
www.ultimatesolutionsinc.net



SAFETY, OPERATION AND MAINTENANCE MANUAL WITH PARTS LIST

Please read before use!

2- AND 3-GALLON CAPACITY



THE SPOTTER SPOT EXTRACTOR
2- and 3-Gallon Spotter Machine Series



Manufactured with
Pride in the U.S.A.



IMPORTANT INFORMATION AND SAFETY INSTRUCTIONS

Serial No: _____

Another Innovative
Product from
Sandia
PRODUCTS
Your Ultimate Choice in
Profitable Cleaning Performance!



Notes:

Dear Valued Client,

Congratulations on the purchase of your 3-Gallon Spot Extractor carpet and upholstery machine! The world of carpet cleaning is becoming more high-tech and competitive and we strive to provide you with the most innovative products. Our spot extractor with heat is yet another example of this, bringing a new dimension to carpet and upholstery cleaning with its cutting-edge features, quality and value.

Please review this manual, paying careful attention to the Safety Instructions section. Keep in mind that any unnecessary damage, neglect or abuse of this machine will void your warranty. You can be confident that simple maintenance will ensure that your spot extractor with heat provides quality performance for many years to come.

If warranty questions arise, please consult your manual or contact your Ultimate Solutions representative. Should you have any questions regarding maintenance, replacing parts or ordering parts, please call your Ultimate Solutions representative.

Before you begin using your Spot Extractor, please thoroughly review the Owner's Manual.

Again, congratulations on the purchase of your 3-Gallon Spot Extractor carpet and upholstery machine!

Equipment Videos

Machine Training: www.sandiplastics.com/equipmentVideos.aspx

Machine Features and Benefits: www.sandiplastics.com/featuresVideos.aspx

Questions or Comments?

Phone: 714-901-8400

Toll Free: 800-983-5834

Fax: 714-901-8404

Ultimate Solutions Corporate Offices:

15571 Container Lane, Huntington Beach, CA 92649

Visit our website at: www.sandiplastics.com



16.0 Troubleshooting Guide

CAUTION: Always disconnect power cord before servicing vacuum. Never operate this spot extractor when the equipment is not performing as expected or when any part is visibly damaged.

WARNING: Repairs should only be performed by an authorized service center. Failure to do so will VOID warranty.

PROBLEM: Loss of vacuum

CAUSE	SOLUTION
Float not pushed down	Open the screw cap and push the float down
Hose cuff disconnected	Secure the hose cuff to the front of the extractor

PROBLEM: Spotter is not Running

CAUSE	SOLUTION
Faulty on/off switch	Call manufacturer or authorized service center
Power cord defective	Call manufacturer or authorized service center
Loose connection or wiring	Call manufacturer or authorized service center
Motor defective	Call manufacturer or authorized service center
Blown fuse or tripped circuit breaker	Replace fuse or reset circuit breaker

PROBLEM: Loss of Solution Pressure

CAUSE	SOLUTION
Pump is not working	Verify by removing jet from the end of hand tool and press trigger on wand - Call manufacturer or authorized service center
Solution intake is dirty	Clean solution intake in the solution tank - check quick-disconnect for debris

Table of Contents

New Equipment Warranty.....	4
RMA / Warranty Procedure.....	5
Returned Material Authorization (RMA) Procedure.....	5
1.0 Safety Instructions.....	6
2.0 Setup / Prepare Unit for Use.....	6
3.0 How to Use the Spot Extractor.....	7
4.0 Maintenance.....	8
5.0 Grounding Instructions.....	8
6.0 3-Gallon Machine Schematic Drawing - No Heat.....	9
7.0 3-Gallon Machine Parts List - No Heat.....	10
8.0 3-Gallon Machine Schematic Drawing - with Heat.....	11
9.0 3-Gallon Machine Parts List - with Heat.....	12
10.0 2-Gallon Machine Image with Parts List.....	13
11.0 Completed 2-Gallon Machine Parts List.....	14
12.0 Hoses and Hand Tools Drawing - Stainless Steel.....	15
13.0 Hoses and Hand Tools Drawing - Clear View.....	16
14.0 Wiring Diagram - All Models.....	17

New Equipment Warranty

Lifetime on body, 2 years on vacuum motors and pump, 1 year on heater and on all electrical components, 90 days on tools and accessories.

At Sandia Products, we proudly stand behind our manufactured products, and our warranty policies 100%

Limited Warranty Policy

All equipment is inspected and tested before shipping from the manufacturer. All parts are warranted to be new and free from defects in workmanship and material, under normal use to the original retail purchaser. This warranty limits manufacturer's liability for defects in workmanship or materials for replacement of defective parts only. The manufacturer accepts no liability for incidental or consequential damages arisen from the use of any equipment, defective or not. This warranty is in lieu of all expressed or implied warranties and is extended only to the original retail purchaser. Manufacturer sales and service representatives are not authorized to waive or alter the terms of this warranty, or to increase the obligations of the manufacturer under the warranty. Parts replaced or repaired under this warranty are warranted for the remainder of the original warranty period.

Labor is only provided by authorized service centers. If an authorized service center is not near you, it is the purchaser's responsibility to take their machine to an authorized service center. International clients are responsible for all shipping needed for complete warranty. Freight charges and travel charges are not covered by the manufacturer.

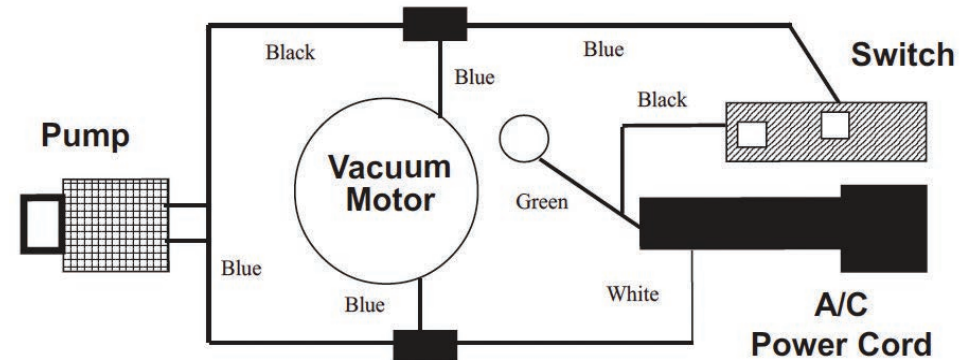
The manufacturer covers up to one (1) year (365 days) of service labor at the manufacturer's calculated hourly labor rate/repair time when performed by a manufacturer-authorized service provider. Ultimately, labor reimbursement costs are at the discretion of the manufacturer. At no time is the manufacturer responsible for travel time to complete on-call repairs. After one (1) year, the original retail purchaser is responsible for all labor costs with no manufacturer reimbursement. Shipping is covered up to 90 days for all warranty parts.

The original distributor must contact the manufacturer to follow correct RMA/warranty procedures. They must include a copy of the RMA Sheet enclosed in the box with the returned item. No returns shall be authorized unless the proper RMA procedures are followed. It is the responsibility of the distributor to repair the client's equipment as soon as possible.

The manufacturer charges a 25% restocking fee for any items that are being returned to stock. Items must be new, unused, and free of damage and are only good for up to 30 days. After 30 days, the manufacturer does not accept the return of any items for a store credit.

Authorized warranty replacement parts need to come directly from the manufacturer. Any use of any other parts will void warranty. The manufacturer does not reimburse for parts used by client that were not supplied directly for the machine under warranty.

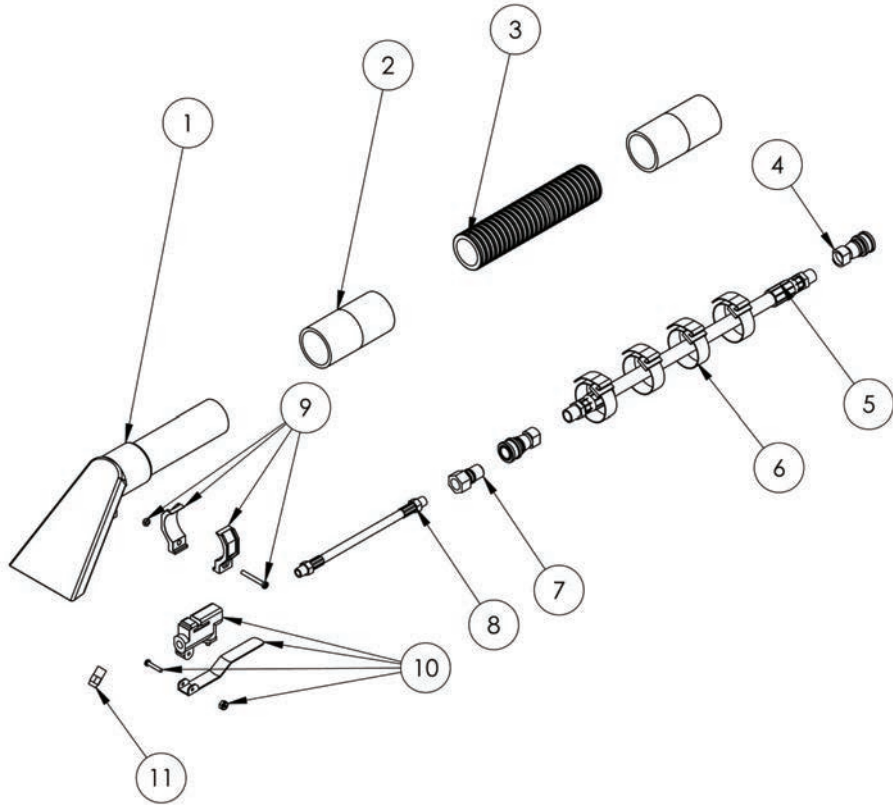
14.0 Wiring Diagram - All Models



CAUTION – Electrical wire colors may vary. Determine start and end point of each wire to confirm connection point.

13.0 Hoses and Hand Tool Drawing and Parts List

10-0505 4" Stainless Steel Hand Tool with Clear View Head for Machines with No Heat



Parts List

Drawing No.	Item No.	Item Description	Qty. Needed
1	10-0505	4" Stainless Steel Hand Tool with Clear View Head	1.00
2	10-0463	Black Slip Hose Cuff for Spotter	2.00
3	50-1007	7-Foot Black Hose for Spotter	1.00
4	10-0474	1/8" Female QD for Spotter	1.00
5	10-0475	Solution Hose for Spotter	1.00
6	10-0388	Velcro Strap	1.00
7	10-0402	1/8" Male QD for Stainless Steel Hand Tool	1.00
8	10-0403	1/8" Brass Female Coupler	1.00
9	10-0506	Valve Clamp for Stainless Steel Hand Tool	1.00
10	10-0504	Valve for Stainless Steel Hand Tool	1.00
11	10-0502	Jet for Stainless Steel Hand Tool	1.00

RMA / Warranty Procedures

Please contact Ultimate Solutions at 800-983-5834 or sandiawarranty@us-group.com prior to working on or changing out any warranty parts, etc. for pre-approval. Please have the following ready and available:

- Serial Number and Model Number of the Machine
- Date of Purchase or End-User Date of Purchase,
- Detailed Description of the Problem
- Photos of the Problem Area and Inside of the Machine

For all Pumptec pump warranty claims, you must provide the serial numbers on both the pump head and pump motor.

If parts or a piece of equipment is approved to be returned, an RMA will be issued. The RMA Number needs to be written on the box with the item to be returned. There is a 25% restocking fee on any returned merchandise not under warranty or with no issues found upon inspection.

Warranties will be issued for items with a manufacturer defect and will not apply to normal wear-and-tear or abuse. We reserve the right to refuse warranties in cases of abuse, including but not limited to rust, corrosion (water damage), dents, ingestion of foreign matter, or items modified from its original design and unauthorized labor on repairs.

If a new part or piece of equipment has been approved under warranty, the new item will be sent out under the RMA Number. Freight charges will be applied to any warranty after 90 days of original purchase or any expedited shipping requests. Pumps, motors and heaters being replaced after 90 days must be returned to Sandia Products at you or your customer's cost in order to determine manufacturer's defect.

Labor is covered for one year from the purchase date. If labor time has been approved by Sandia Products, an invoice must be issued from your company and sent to us in order to receive credit on your account. Please reference the RMA Number on the invoice to Sandia Products. Labor time must be pre-approved by Sandia Products at the rate of \$45 an hour. All replacement parts must come from Sandia Products. Use of any parts that are not from the manufacturer will void any future warranties.

Do not send parts or equipment back to Sandia Products without an RMA Number and approval. No labor will be paid, nor parts cost reimbursed, that has not been previously approved by the manufacturer. All warranty procedures must be strictly followed.

1.0 Safety Instructions

WARNING: PLEASE READ AND SAVE! FOLLOW THESE PRECAUTIONS WHEN USING YOUR SPOT EXTRACTOR.

- DO NOT operate this unit if any part of the unit appears to be damaged.
- DO NOT operate if ground plug is broken.
- DO NOT operate if the unit is in standing water.
- DO NOT use volatile substances or operate where volatile substances exist.
- DO NOT service while unit is running or connected to electricity. Unplug the unit!
- DO NOT use water more than 120 degrees Fahrenheit.
- DO NOT use solvents with this unit.
- DO NOT use as a dry vacuum.
- DO NOT use unit unless completely assembled.
- Use only liquid detergents. Powders do not fully dissolve and damage motor.
- Always use defoamer. Foam will suspend moisture particles that damage motor.

2.0 Setup / Prepare Unit for Use

DO NOT EXPOSE TO RAIN. STORE INDOORS.

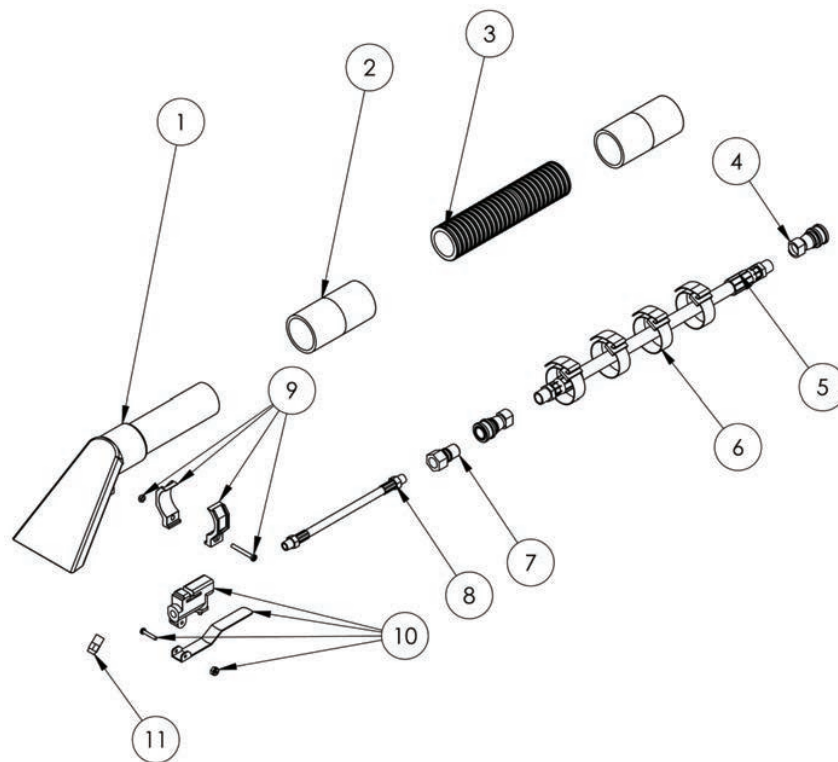
- All spot extractors – no matter what the time of year – are shipped with antifreeze in the pump and solution lines. Prior to first use, fill the tank with one quart of warm water. Attach the hose and using the hand tool, flush out the system by spraying the one quart of water through the pump.
- Attach the 1-1/2-inch vacuum hose and the brass quick disconnect.
- Fill the base unit (the recovery tank must be removed) with warm water (less than 100 degrees Fahrenheit). Fill to approximately 4 inches from the top. Use a liquid detergent made for carpet cleaning or upholstery. Read and mix to the dilution ratios as directed.
- DO NOT turn heater on until the heater is full of water.
- NEVER run the vacuum only with the pump on for more than 3 minutes. Water/solution needs to run through pump at all times to keep the pump cool while in use. Failure to do so will void the warranty.
- Be sure to replace any filters back into the machine prior to use.
- Do not use citrus acid, buterol or harsh degreasers inside the machine.

Vacuum Shut-Off

The spot extractor is designed with a vacuum restrictor to reduce the vacuum when the recovery tank is full. When the vacuum is restricted, the liquid will not travel up the nozzle of the hand tool. The motor speeds up (the sound of the motor will change) and this is your warning to dispose of recovered solution. The restrictor is a foam float that slides up and down the vacuum tube in the recovery tank.

12.0 Hoses and Hand Tool Drawing and Parts List

10-0501 Stainless Steel Hand Tool for Machines with Heat



Parts List

Drawing No.	Item No.	Item Description	Qty. Needed
1	10-0501	4" Stainless Steel Upholstery Tool	1.00
2	10-0463	Black Slip Hose Cuff for Spotter	2.00
3	50-1008	15-Foot Black Hose 1-1/4"	1.00
4	10-0868	1/4" Female QD for Spotter	1.00
5	80-8007	1/4" x 15-Foot Extractor Hose	1.00
6	10-0388	Velcro Strap	1.00
7	10-0870	1/4" Male QD	1.00
8	10-0507	8" Black Hose for Stainless Steel Hand Tool	1.00
9	10-0506	Valve Clamp for Stainless Steel Hand Tool	1.00
10	10-0504	Valve for Stainless Steel Hand Tool	1.00
11	10-0502	Jet for Stainless Steel Hand Tool	1.00

11.0 Complete 2-Gallon Machine Parts List

Item ID	Item Description	Qty. Needed
SP-2-ST-BLKGRAN	2-Gallon Solution Tank - Black Granite	1
10-0447	2-Gallon Spotter Motor	1
10-0386	Stamped Motor Screen	1
10-1030	Spotter Motor Gasket	1
SP-2-RT-USI BLUE	2-Gallon Recovery Tank - USI BLUE	1
10-0302-A	Hatch Cover Gasket for Spotter	1
10-0405	1-1/2" PVC SCH40 Slip Thread	1
10-0416-A	Black ABS Stand Pipe	0.6
10-0022	Shoulder and Waist Belt Screw	4
10-0304	Spotter Cap and Float Assembly	1
10-0302	Hatch Cover for 2-Gallon Solution Tank	1
RG-SAN	Sandia Floor Care Graphic	1
10-0407	1/8" Strait Nylon Barb NPT	1
10-0845-2	1/8" Strainer for Spotter	1
10-0403	1/8" Brass Female Coupler	1
10-0435	Oetiker Clamp	2
10-0434	Threaded Hose for Spotter	1
10-0406	Nylon Barb 90 1/8" NPT 1/4"	2
10-0015	1/4" Flat Washer	6
10-0473	Bolt for 2-Gallon Spotter Body	3
10-0483	Bottom Base Plate for 2-Gallon Spotter	1
10-0015	1/4" Flat Washer	6
10-0380	10-32 x 3/8" Screw	2
10-0402	1/8" Male QD	1
10-0300	55 psi Pump for Spotter	1
10-0301	L Bracket for Spotter	1
Nylon Tie	Nylon Tie	3
10-0027-A	Strain Relief Nut	1
10-0467	Switch Panel for 2-Gallon Spotter	1
10-0383	6-32 x 1/4" Phil Pan Screw	2
10-0027	Pigtail Strain Relief	1
10-0448	20-Foot Spotter/Air Mover Power Cord	1
10-0025	On/Off Switch	1
10-0463	Black Slip Hose Cuff for Spotter	2
10-0474	1/8" Female QD for Spotter	1
10-0475	Solution Hose for Spotter	1
10-0499	Nut for Jet on Hand Tool	1
10-0499-A	Tee Jet for Hand Tool	1
10-0500	4" Clear View Upholstery Tool	1
10-1024	Motor Mount Plate for Spotter	1
50-1007	7-Foot Black Hose for Spotter	1

3.0 How to Use the Spot Extractor

- Remove 3-Gallon Spotter from its box.
- Place on level surface.
- Open rotating lock on back of machine and remove top tank (recovery tank) from bottom tank (solution tank). Note: tip tank to allow it to come free from the bottom of tank.
- Fill bottom tank with about a quart of water.
- Replace top tank by tipping front of tank to allow it to connect with bottom tank. Center tank properly and then close rotating lock at back to secure in place.
- Plug unit into a grounded electrical outlet.
- Attach Solution Hose to Unit: Hold female quick disconnect (female QD) on hose and slide collar back on female QD. Slide on to male quick disconnect (male QD) on machine. Release collar of female QD. You should hear hose click into place. If you do not hear it click into place, repeat the previous steps.
- Secure vacuum hose securely onto drain spout on front of recovery tank. You may have to force vacuum hose on by turning it back and forth while pushing hose onto drain spout. If tool is not connected to hoses, repeat procedures to attach tool to hoses.
- Turn on pump only and depress trigger on tool to flush the antifreeze completely from unit.
- After flushing antifreeze from unit, remove top tank, fill bottom tank with desired amount of clean water only (highly recommended), leaving water level at least 4" from top. Do not over fill.
- Tip solution tank into sink or drain if overfilled or to empty tank after use.
- Pre-spray a small section of carpet with carpet cleaning solution. Agitate with brush. Allow it to dwell a few minutes before extraction begins.
- For a heated unit, turn on heater for about 3 minutes to preheat water.
- For cold or heated spotters, turn on pump and depress trigger on tool to begin spraying solution to carpet. Agitate carpet with end of tool. Then alternate spraying solution and vacuuming. Alternating spraying and vacuuming will allow heater to keep water at optimal temperature. CAUTION: brass QD's can get hot. Allow to cool before disconnecting.
- If you are not spraying solution for more than a few minutes, turn off heater. Water should remain hot. When you begin to spray solution again, turn heater back on.
- Listen for any changes to the vacuum motors. When recovery tank fills, the yellow vacuum restrictor slides up pipe to partially block air. The sound of the motor will be different and this is notice to shut off machine completely and empty recovery tank. Failure to stop at this point will void warranty, as water will be sucked into vacuum motors.
- Remove top tank from unit, open hatch on top by unscrewing counter clockwise to allow air in and tip and pour recovered solution into a sink, toilet or drain.
- Close top hatch by screwing it on clockwise, fill bottom tank if necessary, reattach top tank to unit and continue cleaning.

4.0 Maintenance

Following Each Use

Remove the vacuum hose from the upper body. Un-clip and rotate the latch on the back of the unit and remove the upper section of the spotter. Dispose of the used solution by pouring the solution out of the vacuum inlet (not the hatch cover) into the toilet or janitor's closet sink.

IMPORTANT! Be sure to thoroughly drain water out of heater lines prior to storage in colder climates. This heater will freeze and possibly crack, voiding your warranty.

Prevent Mineral Deposit Buildup

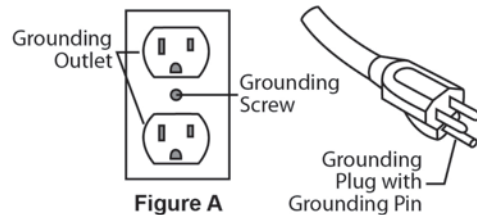
Vinegar may be used to prevent mineral deposit buildup in your machine's lines and pump. Failure to do so may clog your lines and pump. Every two weeks, pour vinegar into the solution tank (dilute with 1/2 water). Run the pump, while squeezing your wand or upholstery tool's trigger until you smell vinegar or notice it coming out of the tool. Let the machine sit overnight, and no longer, with the vinegar in its lines. The next day, flush the machine with 1 gallon of clean water or until you do not smell vinegar any longer.

PLEASE NOTE: If you choose to use CLR, follow the directions on the bottle. **DO NOT** leave CLR in the machine's lines. Be sure to flush thoroughly. CLR may corrode the machine's components and **VOID** your warranty. If you choose to use vinegar, you **MUST** dilute with 1/2 water. Failure to do so may damage the machine's components and **VOID** your warranty.

5.0 Grounding Instructions

DANGER: IMPROPER INSTALLATION OF THE GROUNDING PLUG CAN RESULT IN A RISK OF ELECTRIC SHOCK!

This product must be grounded. In the event of an electrical short circuit, grounding reduces the risk of electric shock by providing an escape wire with an appropriate grounding plug. The plug must be plugged into an outlet that is installed properly and grounded in accordance with all local codes and ordinances.



Check with a qualified electrician or serviceman if the grounding instructions are not completely understood, or if in doubt as to whether the product is grounded properly. **DO NOT** modify the plug provided. If it will not fit into the outlet, have a proper outlet installed by a qualified electrician.

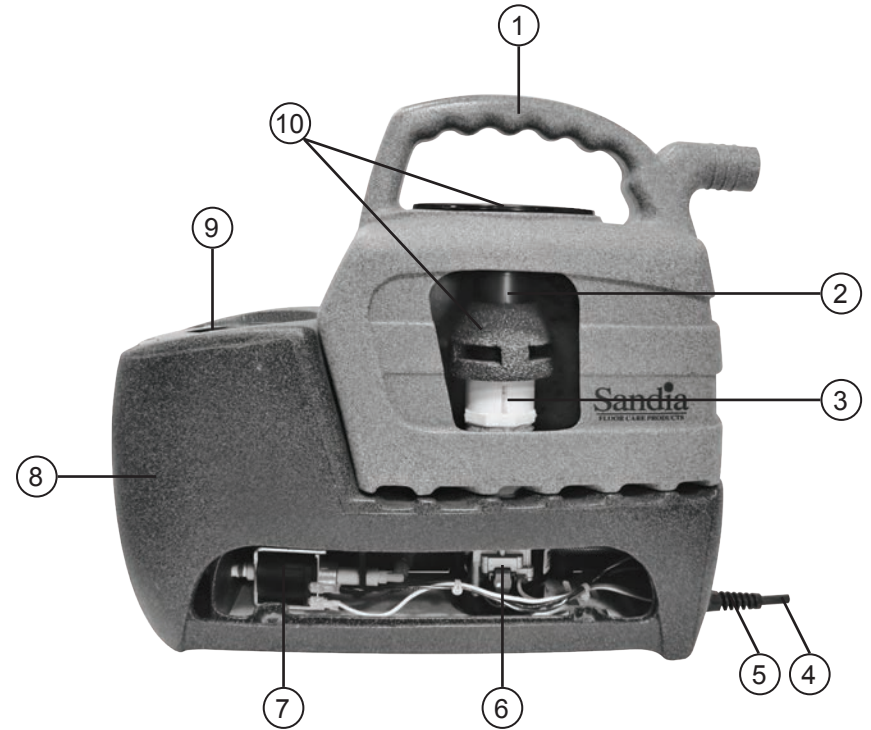
This electric equipment is for use on a normal 120 volt circuit. It has a grounded plug that looks like the plug illustrated in (Fig A). The use of a temporary adaptor is **NOT** recommended.

NOTE: In Canada, the use of a temporary adaptor is not permitted by the Canadian Electrical Code.

9.0 3-Gallon Machine Parts List Continued - with Heat

Drawing No.	Item ID	Item Description	Qty. Needed
65	10-0027	Pigtail Strain Relief	1.00
66	10-0448	20-Foot Spotter/Air Mover Cord	1.00
67	10-0025	On/Off Switch	3.00
68	10-1026	Switch Plate for 3-Gallon w/ Heat	1.00
69	10-0400-C	Keeper Latch for Sniper	1.00
70	80-0022-A	Screw for 500 PSI Panel	2.00
71	10-0204	Motor Mount Back-Up Washer	2.00

10.0 2-Gallon Machine Image with Parts List

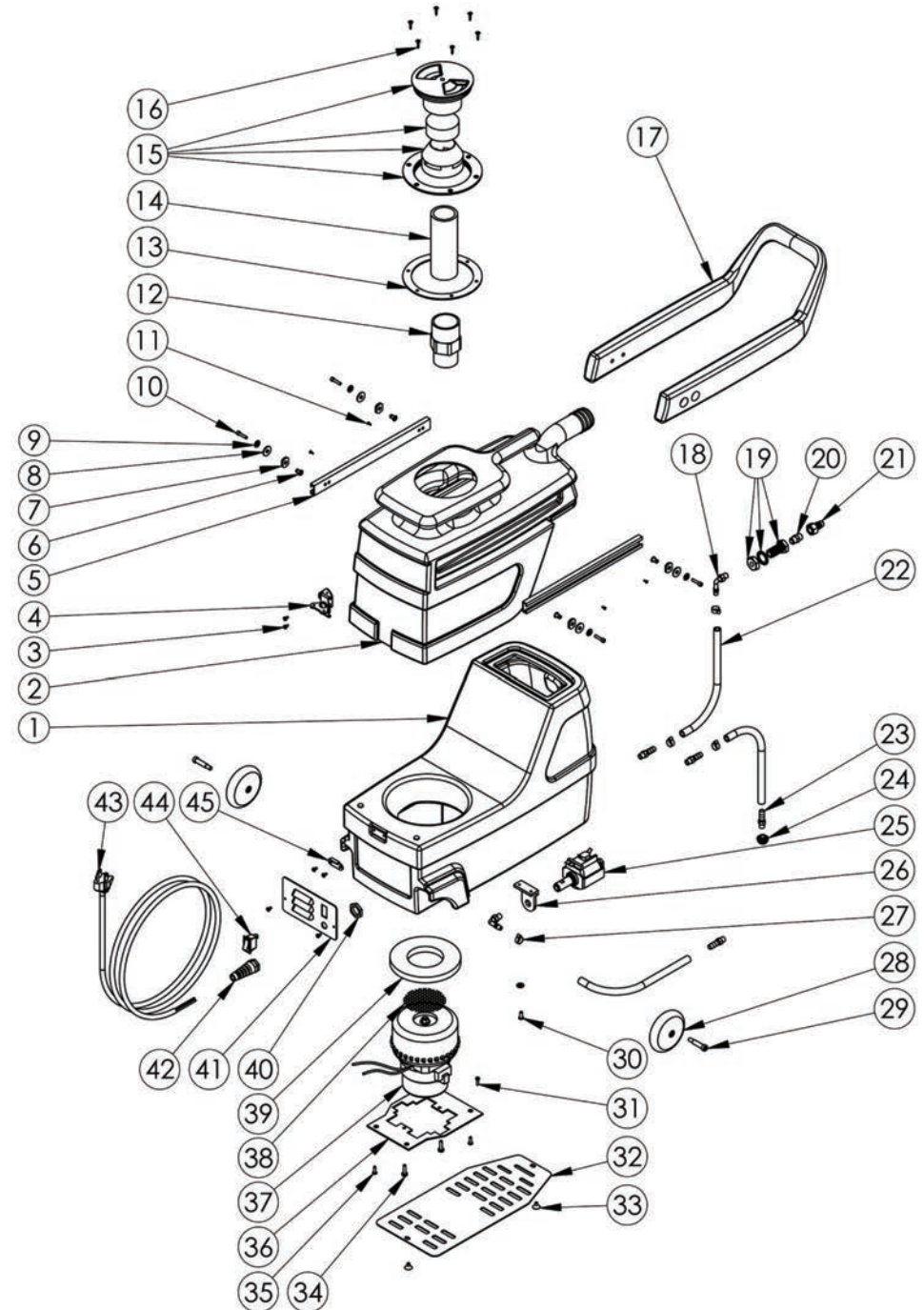


Drawing No.	Item Description	Item No.
1	2-Gallon Recovery Tank - USI Blue	SP-2-RT-USI BLUE
2	Black ABS Stand Pipe	10-0416-A
3	1-1/2" PVC SCH40 Slip Thread	10-0405
4	20-Foot Spotter Cord	10-0448
5	Pigtail Strain Relief	10-0027
6	2-Gallon Spotter Motor	10-0447
7	55 psi Pump for Spotter	10-0300
8	2-Gallon Solution Tank - Black Granite	SP-2-ST-BLKGRAN
9	Hatch Cover for Solution Tank	10-0302
10	Spotter Cap and Float Assembly	10-0304

9.0 3-Gallon Machine Parts List - with Heat

Drawing No.	Item ID	Item Description	Qty. Needed
1	SP-3-ST-BLKGRAN	3-Gallon Solution Tank - Black Granite	1.00
2	SP-3-RT-USI BLU	3-Gallon Recovery Tank - USI Blue	1.00
3	10-0383	6-32 x 1/4" Phil Pan Screw	6.00
4	10-0400-D	Latch for Sniper	1.00
5	10-0412	C-Channel for Spotter Handle	2.00
6	10-0414	Rivet for Spotter Handle	4.00
7	10-0384	.125 Thick Nylon Washer	4.00
8	10-0385	.06 Thick Nylon Washer	4.00
9	10-0074	Flat Washer #8 SAE	11.00
10	10-0216	Allen Head Screw for Backpack	4.00
11	10-0379	8-32 x 3/8" Screw	4.00
12	10-0405	1-1/2" PVC SCH40 Slip Thread	1.00
13	10-0302-A	Hatch Cover Gasket for Spotter	1.00
14	10-0416-A	1-1/2" Black ABS Stand Pipe	1.00
15	10-0304	Spotter Cap and Float Assembly	1.00
16	10-0419	Screw for Spotter Hatch	6.00
17	SP-3-HS-BLKGRAN	3-Gallon Heater Skirt - Black Granite	1.00
18	10-0831	S/R Bracket for Sniper	1.00
19	10-0832	S/R Strap Bolts	2.00
20	10-0300	55 PSI Pump for Spotter	1.00
21	10-0403-M	1/8" Brass Male Nipple	1.00
22	10-0901	175 PSI Relief Valve for Heater	1.00
23	10-0510	1/8" Brass Plug	1.00
24	80-0017	Bulk Head fitting for Sniper	2.00
25	80-0024-B	1/4" MPT x 3/8" Barb	4.00
26	10-0826	3/4" Hose Clamp for Sniper	6.00
27	10-0843	3/8" Black Hose for Sniper	1.00
28	10-0434	Threaded Hose for Spotter	1.00
29	10-0407	1/8" Strait Nylon Barb NPT	2.00
30	10-0845-2	1/8" Strainer for Spotter	1.00
31	10-0301	L Bracket for Spotter	1.00
32	10-0828	90 Degree Brass Fitting for Sniper	1.00
33	10-0022	Shoulder and Waist Belt Screw	3.00
34	10-0017	Deflector Screw	1.00
35	T-C-011	Female Terminal Connector	10.00
36	T-WPUR	Purple Wire	
37	80-0011-2	90 Degree Street Elbow	1.00
38	80-0010	1/4" Brass Tee	1.00
39	10-0843	3/8" Black Hose for Sniper	1.00
40	10-0852	1/4" 90 Degree Brass Elbow	1.00
41	80-0101-M	1/4" Male Check Valve	1.00
42	80-0014	3/8" B x 1/4" F 90 Degree	1.00
43	10-0479	1/4" Male Close Nipple	1.00
44	10-0870	1/4" Male QD	1.00
45	10-1500-B	Heater Element 600 Watt	1.00
46	10-0814	Senor for Sniper Heater	1.00
47	10-0814-B	Manual Sensor for Heater	1.00
48	10-0907	Strain Relief for Tube Heater	1.00
49	10-0906	Box for Tubular Heater	1.00
50	10-0900	Heater Body Tubular	1.00
51	10-0801-G	Pipe Wrap Insulation for Heater	1.00
52	SP-3-H-BLK	3-Gallon Spotter Handle - Black	1.00
53	10-0387	5/16" x 1" Spotter Wheel Bolt	2.00
54	10-0303	Roller Blade Wheel for Spotter	2.00
55	10-0822	Exhaust Grate for Sniper	2.00
56	10-0419-A	Screw for Sniper Hatch	2.00
57	10-0014	Motor Screw	2.00
58	10-0380	10-32 x 3/8" Screw	2.00
59	10-1024	Motor Mount Plate for Spotter	1.00
60	10-0354	3 Gallon Spotter Motor	1.00
61	10-0386	Stamped Motor Screen	1.00
63	10-1030	Spotter Motor Gasket	1.00
64	10-0027-A	Strain Relief Nut	1.00
65	T-WBLA	Black Wire	

6.0 3-Gallon Machine Schematic Drawing - No Heat



7.0 3-Gallon Machine Parts List - No Heat

Drawing No.	Item ID	Item Description	Qty. Needed
1	SP-3-ST-BLKGRAN	3-Gallon Solution Tank - Black Granite	1.00
2	SP-3-R-USI BLUE	3-Gallon Recovery Tank - USI Blue	1.00
3	10-0383	6-32 x 1/4" Phil Pan Screw	6.00
4	10-0400-D	Latch for Sniper	1.00
5	10-0412	C-Channel for Spotter Handle	2.00
6	10-0414	Rivet for Spotter Handle	4.00
7	10-0384	.125 Thick Nylon Washer	4.00
8	10-0385	.06 Thick Nylon Washer	4.00
9	10-0074	Flat Washer #8 SAE	5.00
10	10-0216	Allen Head Screw for Backpack	4.00
11	10-0379	8-32 x 3/8" Screw	4.00
12	10-0405	1-1/2" PVC SCH40 Slip Thread	1.00
13	10-0302-A	Hatch Cover Gasket for Spotter	1.00
14	10-0416-A	1-1/2" Black ABS Stand Pipe	0.60
15	10-0304	Spotter Cap and Float Assembly	1.00
16	10-0419	Screw for Spotter Hatch	6.00
17	SP-3-H-BLK	3-Gallon Spotter Handle - Black	1.00
18	10-0406	Nylon Barb 90 1/8" NPT 1/4"	2.00
19	80-0017-2	Bulk Head fitting for Spotter	1.00
20	10-0403	1/8" Brass Female Coupler	1.00
21	10-0402	1/8" Male QD	1.00
22	10-0434	Threaded Hose for Spotter	2.50
23	10-0407	1/8" Strait Nylon Barb NPT	4.00
24	10-0845-2	1/8" Strainer for Spotter	1.00
25	10-0300	55 PSI Pump for Spotter	1.00
26	10-0301	L Bracket for Spotter	1.00
27	10-0435	Oetiker Clamp	4.00
28	10-0303	Roller Blade Wheel for Spotter	2.00
29	10-0387	5/16" x 1" Spotter Wheel Bolt	2.00
30	10-0022	Shoulder and Waist Belt Screw	1.00
31	10-0017	Deflector Screw	1.00
32	10-1028	Bottom Base Plate for Spotter	1.00
33	10-0492	Screw for Plates on Spotter	2.00
34	10-0014	Motor Screw	2.00
35	10-0380	10-32 x 3/8" Screw	2.00
36	10-1024	Motor Mount Plate for Spotter	1.00
37	10-0354	3-Gallon Spotter Motor	1.00
38	10-0386	Stamped Motor Screen	1.00
39	10-1030	Spotter Motor Gasket	1.00
40	10-0027-A	Strain Relief Nut	1.00
41	10-1026	Switch Plate for 3-Gallon w/ Heat	1.00
42	10-0027	Pigtail Strain Relief	1.00
43	10-0448	20-Foot Spotter Cord	1.00
44	10-0025	On/Off Switch	2.00
45	10-0400-C	Keeper Latch for Spotter	1.00

8.0 3-Gallon Machine Schematic Drawing - with Heat

