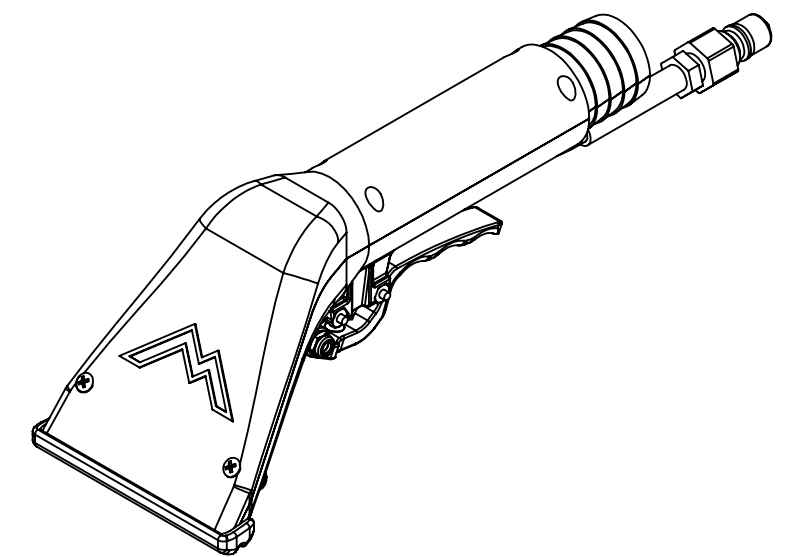
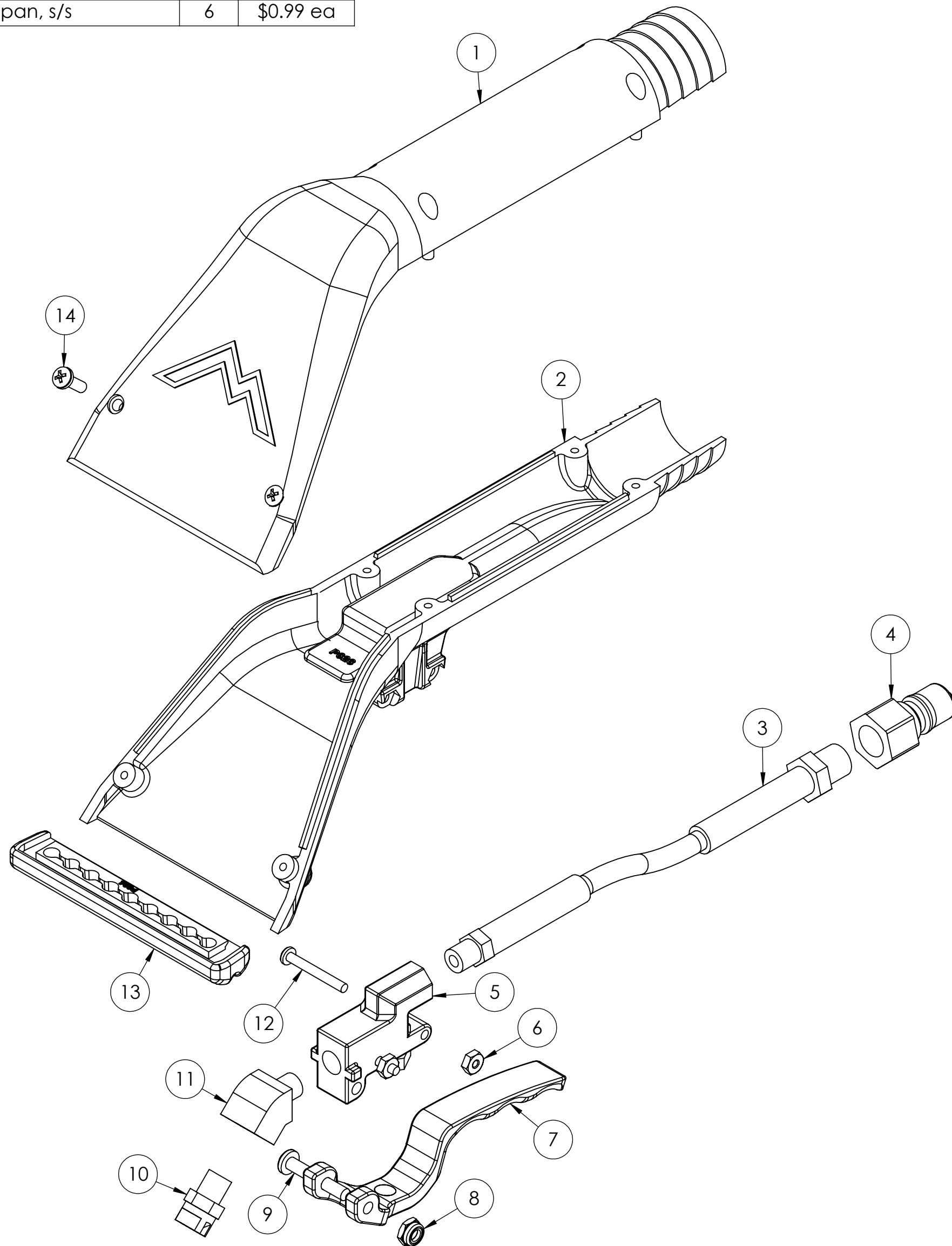


ITEM NO.	PART NO.	DESCRIPTION	QTY.	MSRP
1	P622	housing, upper clear, handtool	1	\$29.99 ea
2	P623	housing, lower black, handtool	1	\$29.99 ea
3	A935	sol hose, pigtail, 1/8 x 7 1/2"	1	\$14.99 ea
4	B101	qd, brass, 1/4" m	1	\$8.49 ea
5	B144B	valve assy, hand tool, 8400P	1	\$32.99 ea
6	H792	nut, lock, 6-32, nylon insert, s/s	2	\$0.99 ea
7	P625	lever, upholstery tool	1	\$4.99 ea
8	H458	nut, lock, 10-32, thin pattern	1	\$0.99 ea
9	H788	screw, 10-32 x 1-3/8", phil pan head, s/s	1	\$0.99 ea
10	B163	jet, 1/8", vv8002, brass	1	\$14.99 ea
11	B657	elbow, 45 deg street, 1/8" mpt x 1/8" fpt	1	\$4.99 ea
12	H791	screw, 6-32 X 1-1/8", phil pan, s/s	2	\$0.99 ea
13	P624	glide, upholstery tool	1	\$17.99 ea
14	H794	#8 x 1/2", phil pan, s/s	6	\$0.99 ea

REVISIONS			
REV.	DESCRIPTION	DATE	APPROVED
OD	ORIGINAL DRAFT	10/2017	JFL



	NAME	DATE	MYTEE PRODUCTS, INC.		
DRAWN	M.LaBarbera	10/2017	858-679-1191		
CHECKED			TITLE:		
<small>PROPRIETARY AND CONFIDENTIAL THE INFORMATION CONTAINED IN THIS DRAWING IS THE SOLE PROPERTY OF MYTEE PRODUCTS, INC. ANY REPRODUCTION IN PART OR AS A WHOLE WITHOUT THE WRITTEN PERMISSION OF MYTEE PRODUCTS, INC. IS PROHIBITED.</small>			Air Lite		
			SIZE	DWG. NO.	REV
			C	8400P	OD
			SCALE: 1:5	DO NOT SCALE DRAWING	SHEET 1 OF 1