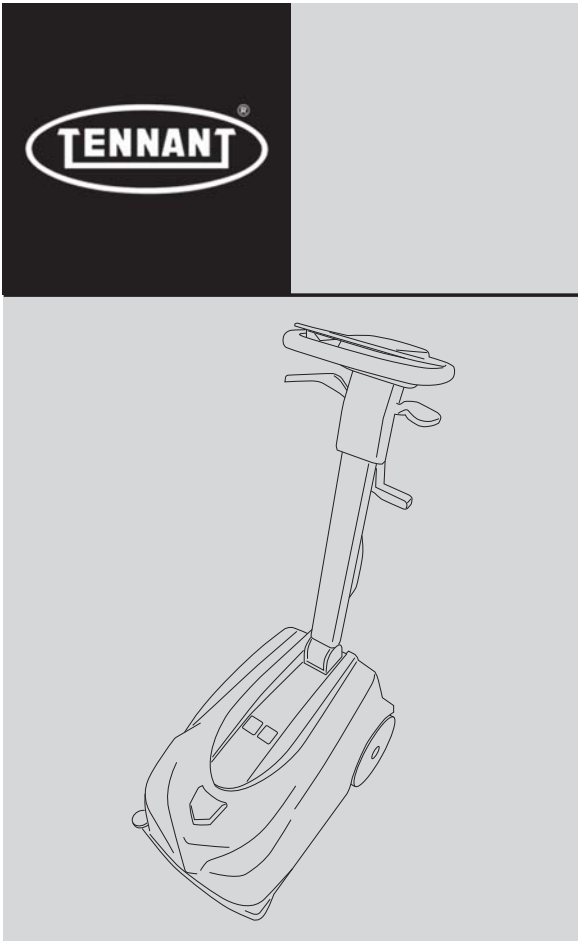




CS5

BATTERY FLOOR SCRUBBER

OPERATOR'S MANUAL (EN)
MANUAL DE INSTRUCCIONES (ES)
MANUEL D'INSTRUCTIONS (FR)



Model Part No.:
1251580 - SCRUBBER [CS5 NA]



North America



To view, print or download
the parts manual, visit:
www.tennantco.com/manuals

(Translated instructions)

TABLE OF CONTENTS

IMPORTANT SAFETY PRECAUTIONS	2
MEANING OF SYMBOLS.....	6
TECHNICAL SPECIFICATIONS.....	7
MACHINE DIMENSIONS.....	8
GENERAL INFORMATION.....	9
Purpose of this manual	9
Identifying the machine	9
Documentation/equipment accompanying the machine	9
TECHNICAL INFORMATION.....	10
General description	10
Parts of the machine	10
Accessories.....	11
HANDLING AND INSTALLATION.....	11
Lifting and transporting the palletized machine.....	11
Delivery checks.....	11
Unpacking	11
Selection of parking position	12
Lifting and transporting the machine.....	12
Transport on wheels.....	12
Adjusting the handle rake angle.....	13
Fitting the brush/pad driver	13
Brush/pad driver release.....	13
Battery: preparation / installation / recharging.....	13
Battery: removal.....	14
Battery: disposal.....	14
PRACTICAL GUIDE FOR THE OPERATOR.....	15
Preparing the machine for work	15
Controls.....	16
Working.....	17
Removal of dirty water tank lid.....	18
Installation of dirty water tank lid.....	18
Filling the water/detergent tank.....	18
Emptying the water/detergent tank	18
Emptying the dirty water tank.....	19
Drive adjustment	19
PERIODS OF INACTIVITY	20
MAINTENANCE INSTRUCTIONS.....	20
Maintenance - General rules.....	20
Cleaning the suction float.....	21
Cleaning the water/detergent tank filter	21
Cleaning the suction filter.....	21
Cleaning the front squeegee suction hose.....	21
Cleaning the rear squeegee suction hose.....	21
Cleaning the diverter valve.....	22
Cleaning the squeegee	22
Squeegee adjustment	22
Replacing the brush	23
TROUBLESHOOTING.....	24
ALARMS	25
RECOMMENDED SPARE PARTS	26

IMPORTANT SAFETY **PRECAUTIONS**

- Read the operating instructions carefully before using the machine for the first time.
- Keep the instructions handy, in a safe place. They constitute an important component of the machine and must be handed over together with the machine in the event of its being sold or transferred.

TABLE OF CONTENTS

Whilst the machine is manufactured to a high standard of safety, safety in operation can be guaranteed only by complying with the instructions in this manual.

Correct use

- The machine is not designed for use by persons (including children) with reduced physical, sensory or mental capabilities, or lack of experience and knowledge.
- Use of the machine as a toy is prohibited: make certain this does not happen.
- Children should be supervised to ensure they do not play with the machine.
- Cleaning and maintenance of the machine must in any event be carried out exclusively by adults in full possession of the requisite mental and physical faculties.
- The machine is designed to operate in temperatures between +4°C/39,2°F and +40°C/104°F. When the machine is not being used, the temperature range is +0°C/32°F and +50°C/122°F
- The machine is designed to operate at relative humidity levels between 30% and 95%.
- The machine can operate at altitudes up to 2000 m maximum.
- This machine is intended for commercial use, for example in hotels, schools, hospitals, factories, shops, offices and business premises generally.

- The machine must only be used indoors.
- The machine must be kept indoors at all times.
- Do not use the machine on surfaces with a gradient steeper than 2%.

Danger of electric shock

- Switch off the machine and disconnect the battery before commencing any cleaning or maintenance work.
- If the machine is not working as it should, or if it has suffered a heavy impact, or been dropped, damaged, left out in the open or fallen into water, do not use it until it has been checked out; contact a specialist technician approved by Tennant or take the machine to any Tennant service centre.
- Do not clean the machine with water or a high pressure hose.
- Never attempt to carry out repairs on the machine. Should the need arise, contact a specialist technician approved by Tennant or take the machine to any Tennant service centre.

Fire risk

- Do not use the machine to clean up flammable or combustible liquids such as petrol, and do not operate the machine in areas where these liquids may be present.
- Do not pick up burning or smoking material like cigarettes, matches or hot ashes.
- Do not position the machine on or in close proximity to a cooker or any other hot surface, as the battery could catch fire or explode.

Risk of injury

- Keep hair, loose garments, fingers and all other parts of the body well clear of slots and moving parts.
- Avoid any contact with moving parts of the machine (brushes and pad drivers).
- Take particular care when cleaning steps and stairs.
- Do not use the machine if plastic parts are damaged as a result of a fall or impact; avoid contact with broken pieces and sharp edges.
- Always keep detergents out of the reach of children. In the event of detergent making contact with the eyes or the skin,

immediately wash repeatedly with water, and if swallowed, consult a doctor immediately.

- Carefully follow the facility safety guidelines concerning wet floors.
- Place wet floor signs as needed when operating the machine.

Risk of damage caused by improper use












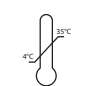
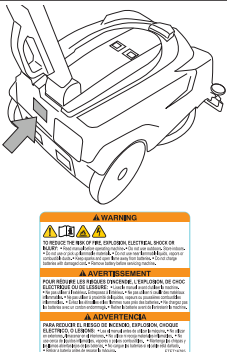

- Use only original spare parts supplied by the manufacturer.
- Use only commercially approved cleaning detergents. Machine damage caused by improper detergents will void the manufacturer's warranty.
- Do not insert objects of any kind into the ventilation slots. Do not operate the machine with blocked ventilation slots. Remove all dust, dirt, hair and debris that might be blocking the air flow.

Battery charger and Battery

- Battery charger: inspect the battery charge cable periodically for possible damage. If damage has occurred, do not use the battery charger until the cable has been replaced;
- Make certain the power sockets used for battery chargers are properly earthed and protected by a 2-pole thermal magnetic switch with differential circuit-breaker:
 - rated current 10-16A
 - $I_{\Delta n}$ differential current: 0.03A
 - I_{cn} breaking capacity: 6000 A
 - AC differential breaker trip
- When recharging the battery, use only the battery charger (BACA00263 code), supplied by the manufacturer of the machine.
- NEVER unplug the battery charger by pulling the power cable, grip the plug, not the cable.
- NEVER touch the battery charger power cable with wet hands.
- DO NOT use extensions to power the battery charger.
- Use only batteries supplied by the manufacturer (BAAC00196 code), as other types of battery could explode, causing injury to persons and damage to property.
- Keep the battery away from sparks and flames.
- DO NOT smoke near battery or charger.

- DO NOT charge the battery outdoors.
- DO NOT expose the battery to temperatures above 100°C / 212°F.
- Charge the battery at a temperature between + 4°C / 39.2°F and + 40°C / 104°F.
- NEVER leave the battery in enclosed areas, such as in cars on hot days, where temperatures can be much higher than the outside temperature.
- DO NOT attempt to repair or modify the battery or battery charger, replace it if faulty.
- DO NOT short circuit the battery or charger terminals with conductive objects such as paper clips, the battery may ignite or explode.
- DO NOT crush, drop, incinerate or damage the battery.
- DO NOT use a damaged battery in any way.
- DO NOT remove the battery with the machine on, risk of unintentional operation of the machine and risk of voltage fluctuation on the electronic equipment.
- Ensure the battery is disposed of correctly, in compliance with current local environmental regulations. Do not throw the battery away as household waste.

MEANING OF SYMBOLS

	NEGOTIABLE GRADIENT
	OPERATOR MANUAL, INSTRUCTIONS FOR USE
	READ THE MANUAL BEFORE USING THE MACHINE
	DIRECT CURRENT
	CLASS III APPLIANCE. AN APPLIANCE IS IDENTIFIED AS CLASS III WHEN ITS EXPLOSION-PROOF PROTECTION IS BASED ON THE FACT THAT THERE ARE NO VOLTAGES HIGHER THAN THE ULTRA-LOW SAFETY EXTRA-LOW VOLTAGE (SELV). THIS MEANS IN PRACTICE THAT THE APPLIANCE IS POWERED BY A BATTERY OR A SELV TRANSFORMER.
	BRUSHES ON/OFF.
	DETERGENT SOLUTION FLOW ON/OFF AND REGULATION.
	SUCTION ON/OFF.
	"ECO" OPERATING MODE.
	MACHINE ON/OFF.
	SPECIAL WASTE. DO NOT DISPOSE OF AS NORMAL WASTE.
	MINIMUM AND MAXIMUM TEMPERATURE OF LIQUID IN TANK.
	SAFETY LABEL THE SAFETY LABEL IS MOUNTED ON THE MACHINE IN THE LOCATION INDICATED. REPLACE THE LABEL IF BECOMES DAMAGED OR ILLEGIBLE.
	BATTERY RECYCLING LABEL.

TECHNICAL SPECIFICATIONS

Cleaning width	mm	280
	inches	11.02
Squeegee width	mm	380
	inches	14.96
Productivity (for Hour) Theoretically Max.	m ² /h	976
	ft ² /h	10505
Productivity (for Hour) Estimate Coverage	m ² /h	639
	ft ² /h	6875
Number of brushes	no.	1
Brush diameter	mm	280
	inches	11.02
Maximum brush pressure	g/cm ²	30
	kPa	3.4
Brush rotation speed	rpm	160
	rpm	
Rated brush motor power	W	100
	HP	0.134
Rated suction motor power	W	160
	HP	0.21
Overall power of the machine in operation P _M	W	248
	HP	0.33
Maximum speed	km/h	3.5
	mph	2.17
Solution tank	l	5
	galls.	1.32
Dirty water tank	l	5
	galls.	1.32
Rear wheel diameter	mm	200
	inches	7.87
Maximum slope	%	2
Gross weight (GVW)	kg	26
	lbs	57.32
Weight of the machine in transit without battery	kg	18.3
	lbs	40.34
Weight of the machine in transit with battery	kg	19.8 - 20.2
	lbs	43.65 - 44.53
Number of batteries	no.	1
Machine / battery voltage V _M	V	36

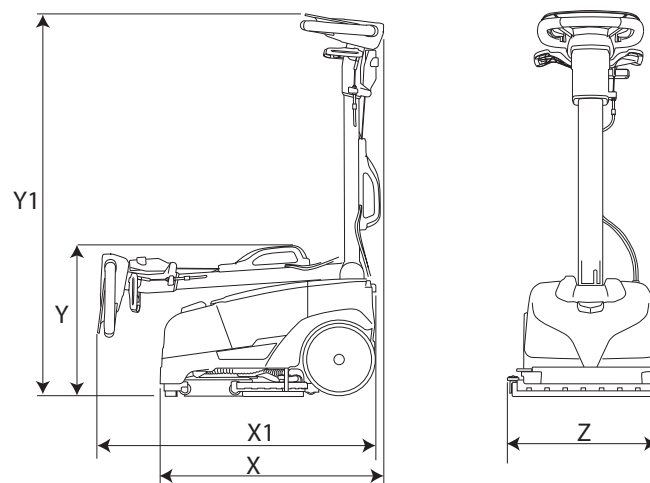
Battery capacity (2 versions)	Ah	5.5 - 8.25
Battery recharge supply voltage, V	V	42
Max battery charging current, I	A	4
Battery charging current (battery charger included)	A	2
Machine dimensions (X, Y, Z)	mm	X= 615, X1= 770, Y= 399, Y1= 1049, Z= 412.5
	inches	X= 24.21, X1= 30.31, Y= 15.7, Y1= 41.29, Z= 16.24
Battery compartment dimensions	mm	Custom battery compartment
Packing Size	mm	800 x 400 x 470
	inches	31.49 x 15.74 x 18.5
Sound pressure - Annex DD (Emission of acoustical noise) EN 60335-2-72: 2012	LpA (dBA)	63
Sound pressure uncertainty	K(dBA)	3
Vibration level (hand) - IEC 60335-2-72	ahv m/sec ²	<=2,5
Maximum water and detergent temperature	°C	40
	°F	104
Degree of protection	IP	IPX3

Gross weight (GVW): maximum permissible weight with the machine fully loaded and ready for use. The gross weight of the machine comprises the detergent tank filled with clean water, the dirty water tank, empty, the largest recommended battery pack and all accessories, namely cables, hoses, detergents and brushes.

V, I: charging / supply values

V_M, P_M: machine in operation (all active functions)

MACHINE DIMENSIONS



X-Y-Z: See "TECHNICAL SPECIFICATIONS" table

GENERAL INFORMATION

Purpose of this manual

This manual has been written by the Manufacturer and is an integral part of the equipment package making up the **machine**¹.

It defines the purpose for which the machine has been designed and built and contains all the information needed by **operators**².

In addition to this manual, containing information intended essentially for users, other publications are available providing specific information for technicians entrusted with **maintenance**³.

The terms “right” and “left”, “clockwise” and “anti-clockwise” refer to the forward movement of the machine.

Constant compliance with the instructions provided in this manual guarantees the safety of the operator and the machine, ensures low running costs and high quality results and extends the working life of the machine. Failure to follow these instructions may lead to injury to the operator or damage to the machine, floor and environment.

Consult the table of contents at the beginning of the manual to find the section of interest without delay.

Parts of the text requiring special attention are printed in bold and preceded by the symbols illustrated and described here.

! DANGER

Indicates the need for attention in order to avoid a series of consequences which could cause death or serious injury to personnel.

! WARNING

Indicates the need for attention in order to avoid a series of consequences which could cause injury to personnel or damage to the machine or work environment or financial loss.

! INFORMATION

Important information

In line with the company's policy of constant product development and updating, the Manufacturer reserves the right to make modifications without prior notice.

Whilst the machine in your possession may differ appreciably from the illustrations in this document, the safety and the information regarding the product are guaranteed reliable.

Identifying the machine

The nameplate provides the following information:

- Model
- Battery voltage.
- Rated current draw.
- Serial number.
- Year of manufacture.
- IP degree of protection.
- Gross weight.
- Maximum negotiable gradient.
- Name of manufacturer.

Documentation/equipment accompanying the machine

- Operator's manual;
- Quick Guide

¹ The definition "machine" replaces the trade name "CT5" of the product to which this manual refers.

² Persons responsible for using the machine without performing any operations requiring precise technical skills.

³ Persons with experience, technical training and a knowledge of legislation and standards, able to perform all the necessary operations and to recognise and avoid possible risks in handling, installation, use and maintenance of this machine.

TECHNICAL INFORMATION

General description

This machine is a scrubber dryer for sweeping, washing and drying flat, horizontal, smooth or moderately rough, uniformly structured and obstacle-free floors in civil and industrial premises.

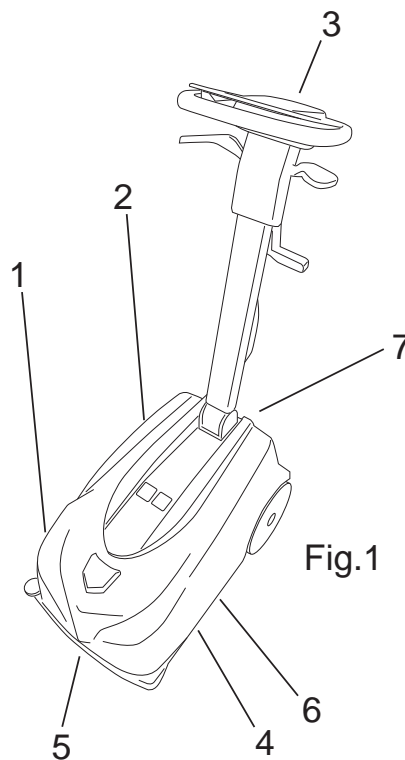
The scrubber dryer spreads a solution of water and detergent in the correct concentration on the floor and then scrubs it to remove the dirt. By carefully choosing the detergent and brushes (or abrasive disks) from the wide range of accessories available, the machine can be adapted to a wide range of combinations of types of floor and dirt.

The machine incorporates a wet vacuuming system which dries the floor immediately after washing. The drying action is produced by the suction motor, which generates a partial vacuum in the dirty water tank. Squeegees mounted beneath the tank are designed to collect the film of dirty water with the machine moving in both forward and reverse directions.

Parts of the machine

Main parts of the machine:

- The water/detergent tank (fig. 1, ref. 1) contains and carries the mixture of clean water and cleaning product.
- The dirty water tank (fig. 1, ref. 2) collects the dirty water picked up from the floor after washing;
- Control panel (fig. 1, ref. 3).
- Head assembly (fig. 1, ref. 4), the main element comprises the brush that spreads the detergent solution over the floor and washes the surface, bringing about the removal of the dirt.
- Front squeegee assembly (fig. 1, ref. 5), which wipes and dries the floor when the machine is pulled toward the operator.
- Rear squeegee assembly (fig. 1, ref. 6), which wipes and dries the floor when the machine is pushed forward by the operator.
- Battery (fig. 1, ref. 7).



Accessories

- Brushes; Soft (SPPV02580 code); Medium [Standard] (SPPV02438 code); Hard (SPPV02581 code).
- Pad Holder (SPPV02582 code).
- Standard battery (BAAC00192 code).
- Battery charger (BACA00263 code).

HANDLING AND INSTALLATION

Lifting and transporting the palletized machine

The machine comes packed in a cardboard box by the manufacturer.

Handle with care to avoid impact and ensure the machine is not overturned.

Delivery checks

On taking delivery of the machine, check carefully that the packing and machine it contains are both intact.

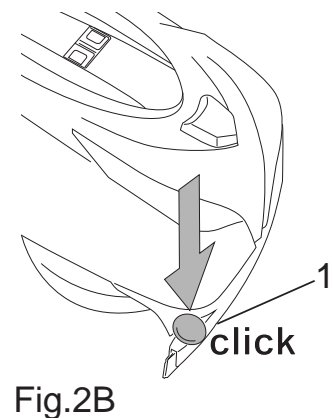
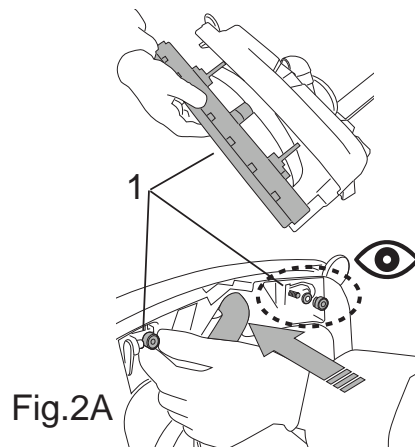
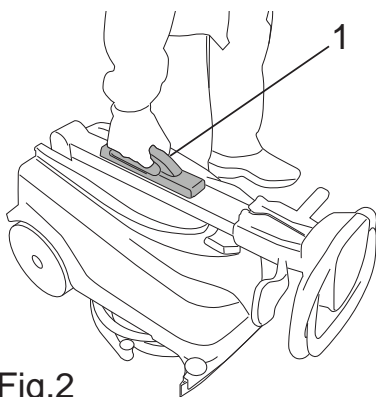
Unpacking

When unpacking the machine, proceed as follows:

- Cut and remove the plastic straps using scissors or nippers;
- Open the box;
- Remove the following items from the packaging:
 - use and maintenance manual;
 - warranty reply card;
 - quick guide;
 - bumper wheel;
 - front squeegee;
 - brush;
 - battery charger.
- Lift the machine out of the box by the handle (fig. 2, ref. 1) and set it down on the floor.
- Pull the handle up at right angles to the machine, referring to the section "Adjusting the handle rake angle"
- Remove the dirty water tank and the detergent tank and set them on the floor, referring to the section "Emptying the water/detergent tank" and "Emptying the dirty water tank".
- Tilt the machine backwards and rest the handle on the floor.
- Cut the ties applied to the rear squeegee.
- Install the front squeegee (fig. 2A, ref. 1).
- Install the bumper wheel (fig. 2B, ref. 1).

! WARNING

Keep the packaging materials and store in a safe place: in the event of relocation or shipment to authorized workshops, the original packaging will ensure that the machine and battery pack remain undamaged.



Selection of parking position

! WARNING

Before placing the machine in the parking position, empty the detergent tank and the dirty water tank, referring to the relative sections "Emptying the water/detergent tank" and "Emptying the dirty water tank".

! WARNING

The machine must always be parked standing on end (vertical); if left in the normal operating position (horizontal), the weight of the machine can cause the bristles of the brush, and the squeegee blades, to bend out of shape.

- Turn off the machine off at the main switch (fig. 3, ref. 1).
- Raise the squeegee by operating the lever (fig. 3, ref. 2).
- Fold the handle fully forward toward the head assembly, referring to the section "Adjusting the handle rake angle"
- Pull the machine up into the vertical position (fig. 4).
- Wipe dry the front squeegee, rear squeegee and brush with a cloth.

Lifting and transporting the machine

! DANGER

Risk of injury if handle is not properly locked in position.

! WARNING

Empty the detergent tank and the dirty water tank, referring to the relative sections "Emptying the water/detergent tank" and "Emptying the dirty water tank".

- Turn off the machine off at the main switch (fig. 6, ref. 1).
- Raise the squeegee by operating the lever (fig. 5, ref. 1).
- Fold the handle fully forward toward the head assembly.
- Lift the machine by the grip on the shaft of the handle (fig. 6, ref. 2).

Transport on wheels

The machine can be moved from one place to another on its wheels and steered in all directions:

- Set the angle of the handle so that it stands perpendicular to the machine.

Tilt the machine backwards (fig. 7), and it can be wheeled backwards or forwards as required.

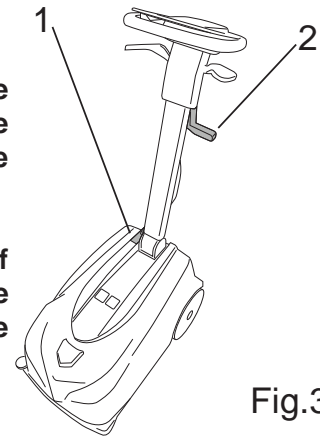


Fig.3

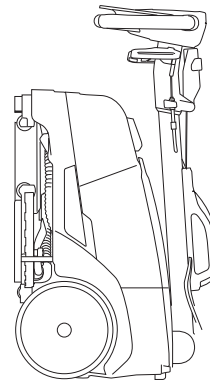


Fig.4

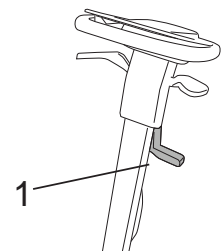


Fig.5

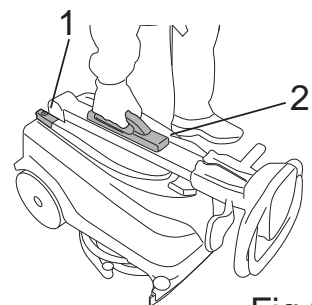


Fig.6

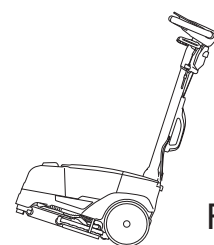


Fig.7

Adjusting the handle rake angle

Pull the adjustment lever (fig. 9, ref. 1) and hold, then set the handle at the desired angle. Releasing the lever, the handle will remain locked in the position selected.

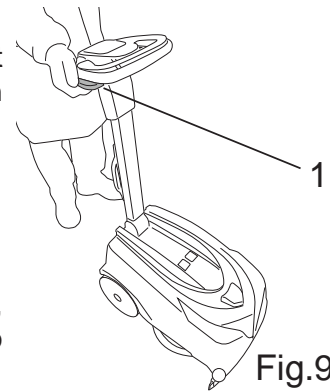


Fig.9

Fitting the brush/pad driver

- Press the main switch (fig. 10, ref. 1) to turn on the machine.
- Press the brush control button (fig. 11, ref. 1).
- Rest the brush on the floor in front of the machine.
- Pull back on the handle to elevate the front part of the machine, position the brush cowling directly over the brush, and proceed to lower the machine (fig. 12).
- Jog the brush control lever (fig. 11, ref. 2) repeatedly; this will enable the brush to engage automatically with the hub of the flange. If the operation is not successful, reposition the machine as before, then repeat the steps of aligning the brush and jogging the control lever.

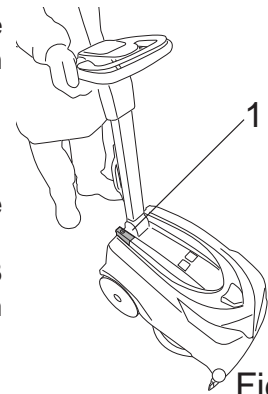


Fig.10

Brush/pad driver release

- Press the main switch (fig. 10, ref. 1) to turn on the machine.
- Pull back on the handle to elevate the front part of the machine (fig. 12).
- Press the brush control button (fig. 11, ref. 1) and hold for 3 seconds; the machine will activate the brush release mechanism automatically.

Battery: preparation / installation / recharging

! DANGER

- Use only batteries supplied by the manufacturer (**BAAC00196 code**), as other types of battery could explode, causing injury to persons and damage to property.
- Keep the battery away from sparks and flames.
- DO NOT smoke near battery or charger.
- DO NOT charge the battery outdoors.
- DO NOT expose the battery to temperatures above 100°C / 212°F.
- Charge the battery at a temperature between + 4°C / 39.2°F and + 40°C / 104°F.
- NEVER leave the battery in enclosed areas, such as in cars on hot days, where temperatures can be much higher than the outside temperature.
- DO NOT attempt to repair or modify the battery or battery charger, contact Tennant for any issues.
- DO NOT short circuit the battery or charger terminals with conductive objects such as paper clips, the battery may ignite or explode.
- DO NOT crush, drop, incinerate or damage the battery.
- DO NOT use a damaged battery in any way.

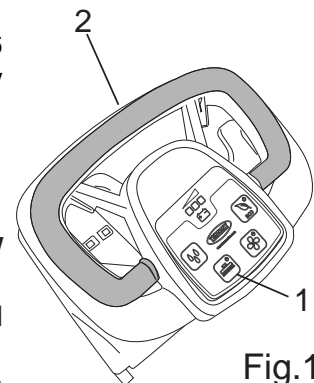


Fig.11

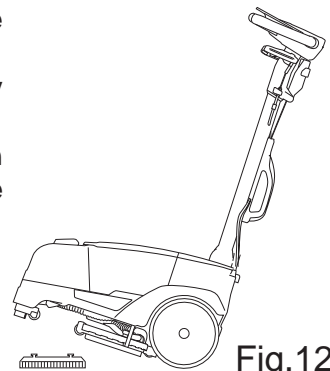


Fig.12

! WARNING

When recharging the battery, use only the battery charger (BACA00263 code), supplied by the manufacturer of the machine.

The battery is a sealed unit and guaranteed safe under normal circumstances; in the unlikely event of fluid leaking from the battery, do not touch the fluid and be sure to take the following precautions:

- Contact with the skin can cause irritation; wash with soap and water.
- Inhalation of vapours can cause irritation to the airways; stay out in the open air and consult a doctor.
- Contact with the eyes can cause irritation; flood the eyes with water immediately and thoroughly for at least 15 minutes, and consult a doctor.

Whilst the battery will normally come fully charged and ready for use, it is good policy nonetheless to run a recharge cycle before the machine is put into service, proceeding as indicated below:

- Insert the jack plug of the battery charger into the socket on the battery (fig. 13).
- Plug the battery charger into the mains power socket.
- Wait for the recharge cycle to finish; the Led on the battery charger will turn green.
- Disconnect the battery charger from the power socket and from the battery.

Battery: removal

! DANGER

When removing the battery from the machine, keep a safe distance from naked flames and heat sources, do not short-circuit the battery poles, avoid creating sparks and do not smoke.

! DANGER

The battery can be removed only with the machine switched off.

Press the two sliding release catches and remove the battery from its housing (fig. 13A, ref. 1).

Battery: disposal

Ensure the battery is disposed of correctly, in compliance with current local environmental regulations. Do not throw the battery away as household refuse.

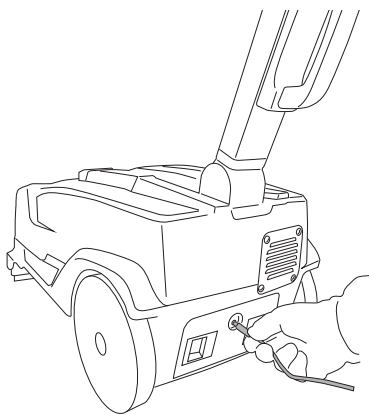


Fig.13

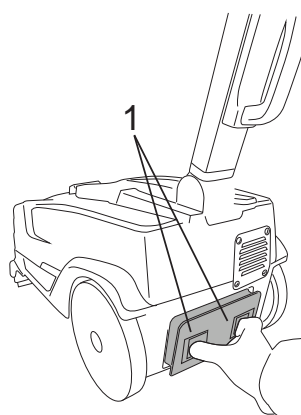


Fig.13A

PRACTICAL GUIDE FOR THE OPERATOR

! INFORMATION

If the machine is being used by an operator for the first time, it should be tried out initially in a spacious and obstacle-free area to acquire the necessary familiarity with the functions and controls.

! WARNING

To avoid damaging the surface of the floor being cleaned, do not leave the brushes rotating with the machine stationary.

! WARNING

Always dilute the detergent according to the manufacturer's instructions. Do not use sodium hypochlorite (bleach) or other oxidants, particularly in strong concentrations. Do not use solvents or hydrocarbons. The water and detergent temperature must not exceed the maximum indicated in the "Technical specifications". There must be no sand and/or other impurities in the solution.

! INFORMATION

The machine has been designed for use with low-foam biodegradable detergents made specifically for scrubber dryers.

! WARNING

Use only commercially approved cleaning detergents. Machine damage caused by improper use of the cleaner will void the manufacturer's warranty.

! INFORMATION

Use products suitable for the floor and dirt to be removed only.

Follow the safety precautions concerning the use of detergents given in the section "Important Safety Precautions".

! DANGER

Before starting work, put on overalls, non-slip shoes, gloves and all other personal protection devices recommended by the supplier of the detergent used or appropriate for the type of work environment.

Preparing the machine for work

Proceed as follows before starting work.

- Check the battery charge indicator lights to ensure that the battery is fully charged and, if not, run the recharge cycle, referring to the section "Battery: preparation / installation / recharging".
- Make certain that the dirty water tank is empty, and if not, empty it, referring to the section "Emptying the dirty water tank".
- Make certain that the detergent solution tank is full, and if not, proceed to fill it, referring to the section "Filling the water/detergent tank".
- Adjust the position of the handle, referring to the section "Adjusting the handle rake angle".
- Fit the brush, referring to the section "Fitting the brush/pad driver".

Controls

The machine has the following controls and indicator lights:

- Main switch (fig. 14, ref. 1): connects and disconnects electrical power to and from all functions of the machine.
- Battery charge indicator (fig. 15, ref. 1): consists of 3 Leds, red, yellow and green, showing the battery charge level. Possible charge level indications:
 - 100% battery: red, yellow and green LED on.
 - 30% battery: red and yellow LED on.
 - 10% battery: red LED on steadily.
 - 5% battery: red LED on blinking, battery completely flat, after a few seconds the brush and suction motors will be shut off;
- Brush control button (fig. 15, ref. 2): enables (Led alight) and disables (Led dark) operation of the "Brush" function; the brush does not start rotating until the "Brush control lever"(fig. 14, ref. 2) is operated.

! INFORMATION

Pressing the brush control button also has the effect of automatically enabling the suction and detergent solution flow functions, which can then be controlled and adjusted by way of the respective single buttons on the console.

- Suction control button (fig. 15, ref. 3): switches on ("Led alight") and switches off ("Led dark") the suction motor, which generates the vacuum needed to dry the floor after scrubbing. The motor comes into operation only when activated by way of the "Brush control lever".
- Detergent flow button (Fig.15-Ref.5): to enable, disable or change the flow of detergent solution, proceed as follows:
 - press the detergent flow button once, all three drops will light up and maximum flow will be enabled. When the button is pressed a second time, the flow is decreased and only two drops remain lit. Repeating the same procedure decreases the flow further until it stops, at which stage none of the drops will be lit.Flow is enabled only with the brush in operation.
- ECO button (fig.15, ref. 4): enables (Led alight) and disables (Led dark) ECO operating mode.

! INFORMATION

In ECO operating mode, the power of the brush motor and suction motor is reduced automatically and the flow of detergent solution defaults to delivery level 1.

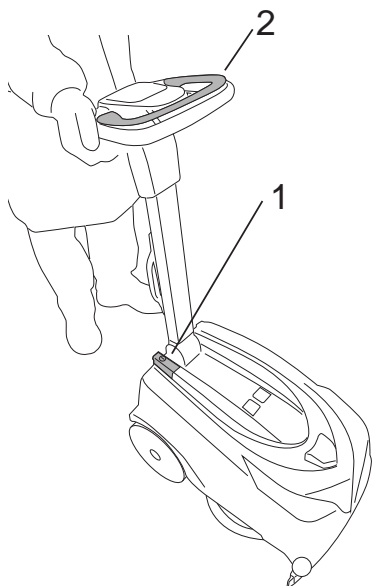


Fig.14

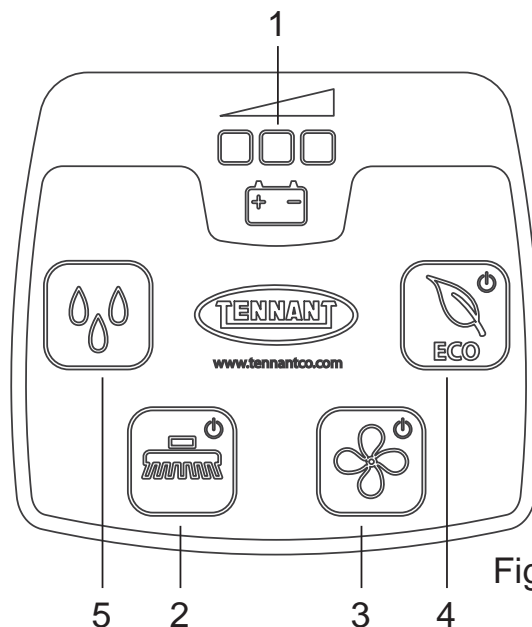


Fig.15

Working

- Press the main switch (fig. 16, ref. 1).
- Press the brush button or the ECO button (fig. 17, ref. 1), in addition to activating the brush, this will also enable the vacuum function and the flow of detergent solution.
- Lower the squeegee by operating the lever (fig. 16, ref. 2).
- Depress the brush control lever (fig. 16, ref. 3).
- Begin working.

! INFORMATION

This machine can dry the floor moving both forward and in reverse. To operate the drying function in reverse, pull the lever upwards (fig. 18, ref. 1).

- When work is in progress, check the thoroughness of the wash and regulate the flow of detergent solution accordingly, with the relative button (fig. 17, ref. 3).

! INFORMATION

Check periodically that the detergent solution is reaching the brush, and take care to fill the tank when empty.

! WARNING

Should the red Led of the battery charge indicator light up when work is in progress, this means that the battery is almost out of power, and after a few seconds the brush and vacuum functions will shut off automatically. Proceed to recharge the battery, referring to the section "Battery: preparation / installation / recharging".

In cases where floors are soiled with particularly stubborn dirt, scrubbing and drying operations can be performed in two separate stages.

Prewashing with brushes or pads:

- Raise the squeegee by operating the lever (fig. 16, ref. 2).
- Press the main switch (fig. 16, ref. 1).
- Press the brush control button (fig. 17, ref. 1).
- Switch off the vacuum function by pressing the suction control button (fig. 17, ref. 2).
- Depress the brush control lever (fig. 16, ref. 3).
- When scrubbing particularly dirty areas, give the detergent sufficient time to perform its chemical action of detaching and suspending the dirt in the film of water, and allow the brushes time to exert an effective mechanical action.

Drying:

- Lower the squeegee by operating the lever (fig. 16, ref. 2).
- Press the suction control button to activate the vacuum function, and pass over the area washed previously: this will produce an effect similar to a thorough scrub, with the result that subsequent routine maintenance work on the floor will be less time-consuming.

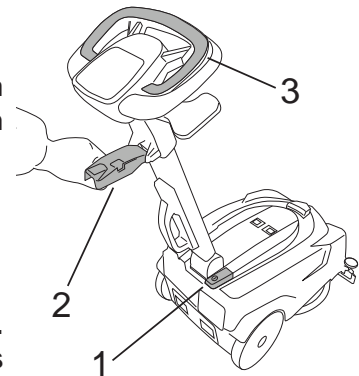


Fig.16

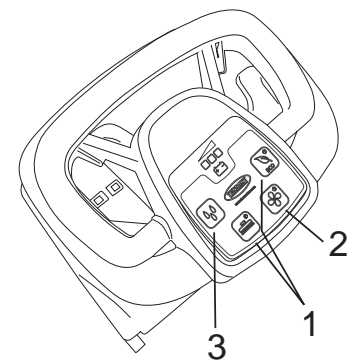


Fig.17

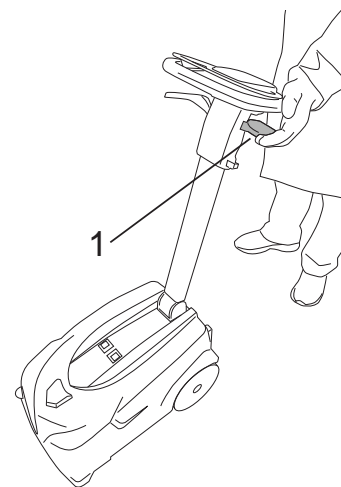


Fig.18

Removal of dirty water tank lid

- Release the lid of the dirty water tank by pressing the two sliding catches toward one another (fig. 19, ref. 1).
- Lift off the lid.

Installation of dirty water tank lid

! INFORMATION

INCORRECT positioning of the lid on the dirty water tank will cause the machine to malfunction when the floor is being dried.

- Place the lid on the tank.
- Apply downward pressure to the lid, sufficient to make certain that the two sliding release catches spring outwards and engage with the top of the dirty water tank (Fig.20).

! INFORMATION

The lid is correctly installed when the **RED** background in the seats of the two catches can **NOT** be seen (fig. 20).

Filling the water/detergent tank

! INFORMATION

Remember to empty the dirty water tank every time the clean water and detergent tank is filled.

The tank can be filled in two different ways:

Tank installed on the machine:

- Turn off the machine at the main switch.
- Remove the cap of the detergent tank (fig.21, ref. 1).
- Fill the tank.

Tank removed from the machine:

- Turn off the machine at the main switch.
- Press in the two lateral tank retaining catches (fig. 22, ref. 1), separate the dirty water tank from the frame and set it down on the floor.
- Remove the cap of the detergent tank.
- Separate the detergent tank from the frame.
- Fill the tank (fig. 23).

Emptying the water/detergent tank

The tank can be emptied by proceeding as follows:

- Turn off the machine at the main switch.
- Take the machine to the disposal area.
- Press in the two lateral tank retaining catches (fig. 22, ref. 1), separate the dirty water tank from the frame and set it down on the floor.
- Separate the detergent tank from the frame.
- Remove the cap of the detergent tank.
- Empty the contents of the tank by way of the front opening (fig. 24).

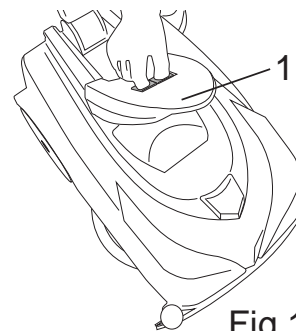


Fig.19

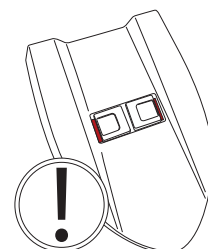


Fig.20

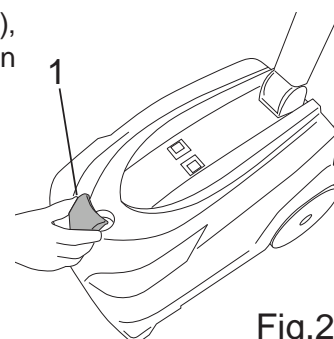
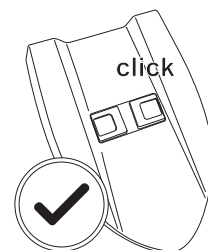


Fig.21

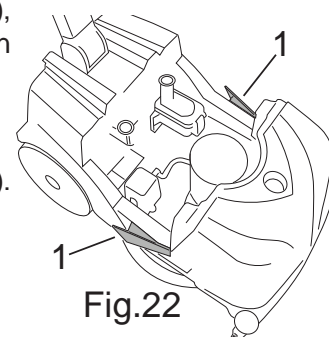


Fig.22

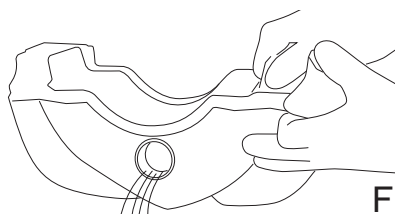


Fig.24

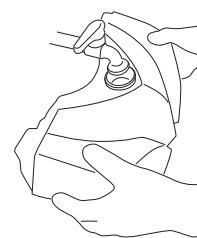


Fig.23

Emptying the dirty water tank

An automatic float-controlled shut-off device mounted to the lid of the dirty water tank is designed to inhibit further operation of the vacuuming system when the tank is full. It is possible to recognize when the vacuuming system has been shut off, as the suction motor will suddenly become noisier in operation, and the floor will not dry as expected. In this situation, the operator must stop the machine and empty the dirty water tank, proceeding as follows:

- Turn off the machine at the main switch.
- Take the machine to the disposal area.
- Press in the two lateral tank retaining catches (fig. 25, ref. 1), and separate the dirty water tank from the frame.
- Remove the cap of the dirty water tank (fig.26, ref. 1).
- Empty the tank (fig. 27).

Drive adjustment

The machine is equipped with a special mechanical drive device that exploits the friction created between brush and floor to generate forward movement.

The driving force produced by the device can be varied by turning the relative knob (fig. 28, ref. 1), which presents two sectors of different colour, one green and the other yellow:

- turning the knob to the position that exposes the green sector, the driving force is increased.
- turning the knob to the position that exposes the yellow sector, the driving force is decreased.
- To make the adjustment, proceed as follows:
- Turn off the machine at the main switch.
- Remove the dirty water tank and the detergent tank and set them on the floor, referring to the section "Emptying the water/detergent tank" and "Emptying the dirty water tank".
- Elevate the brush/motor by taking up the weight with one hand, and with the other hand, turn the knob (fig. 28, ref. 1) to the position desired.

Finishing work

- Turn off the machine at the main switch.
- Empty the dirty water tank and rinse with clean water, referring to the section "Emptying the dirty water tank".
- Empty the detergent solution tank, referring to the section "Emptying the water/detergent tank".
- Stow the machine in the parking position, referring to the section "Selection of parking position".

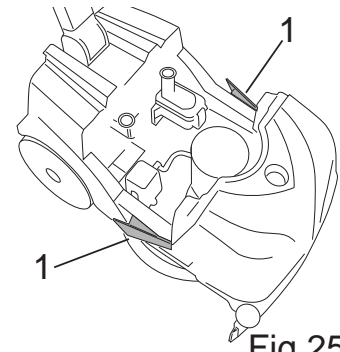


Fig.25

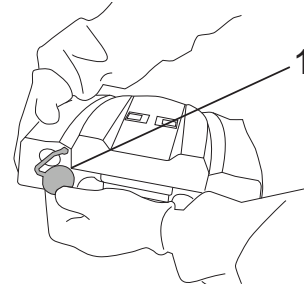


Fig.26

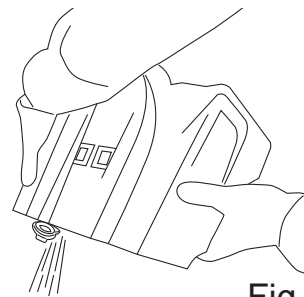


Fig.27

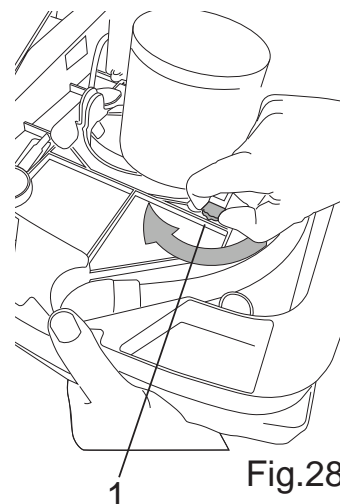


Fig.28

PERIODS OF INACTIVITY

Proceed as follows to prepare the machine for extended periods of inactivity:

- Remove the battery from the machine, referring to the section "Battery: removal" and recharge it fully, referring to the section "Battery: preparation / installation / recharging". The battery should also be recharged regularly when the machine is not in use, so as to keep it constantly at the maximum charge level.
- Clean the squeegee blades with a moist cloth, referring to the section "Cleaning the squeegees".
- Open up and clean the chamber of the diverter valve, referring to the section "Cleaning the diverter valve".
- Detach and clean the suction hoses of the squeegees, referring to the section "Cleaning the front squeegee suction hose" and "Cleaning the rear squeegee suction hose".
- Make certain the tanks have been emptied completely and are perfectly clean, referring to the section "Emptying the dirty water tank" and "Emptying the water/detergent tank".
- Stow the machine in the parking position, referring to the section "Selection of parking position".

MAINTENANCE INSTRUCTIONS

! DANGER

Never perform any maintenance operations without first removing the battery pack from the machine.

! WARNING

Before proceeding with any maintenance operation on the machine, always be sure to empty the detergent tank and the dirty water tank, referring to the relative sections "Emptying the water/detergent tank" and "Emptying the dirty water tank".

! INFORMATION

Maintenance operations involving all servicing or repair operations not explicitly described in this manual, must be entrusted to a specialist technician in accordance with current safety regulations.

! INFORMATION

Ensure the machine undergoes regular maintenance, so that it will always deliver optimum performance.

! INFORMATION

Do not clean seals with ethyl alcohol.

This chapter describes how maintenance is carried out.

Maintenance - General rules

When cleaning the machine, always observe the following precautions:

- Avoid the use of high pressure washers. Water could penetrate the electrical compartment or the motors, leading to damage or the risk of short circuit.
- Do not use steam, as the heat generated could cause plastic parts to lose their shape.
- Do not use solvents or hydrocarbon based products. These can damage the cowlings and rubber components.

Cleaning the suction float

- Release the lid of the dirty water tank.
- Turn the lid over and check that the floats can move freely (fig. 29, ref. 1).
- Clean the seals with a moist cloth (fig. 29, ref. 2).
- Refit the lid.

! INFORMATION

Do not clean seals with ethyl alcohol.

Cleaning the water/detergent tank filter

- Remove the dirty water tank and the detergent tank and set them on the floor, referring to the section "Emptying the water/detergent tank" and "Emptying the dirty water tank".
- Remove the filter and wash with water (fig. 30, ref. 1).

Cleaning the suction filter

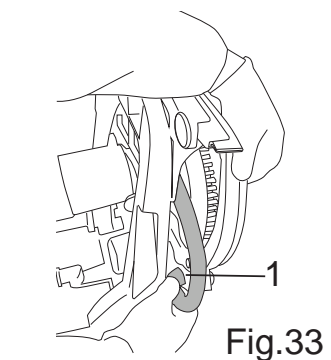
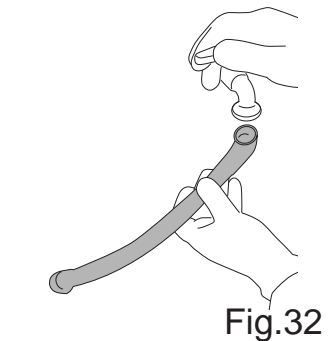
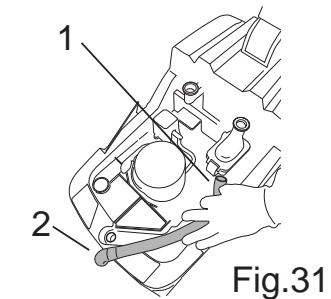
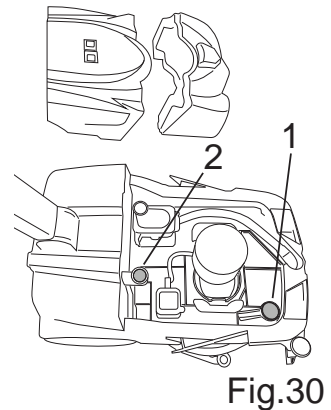
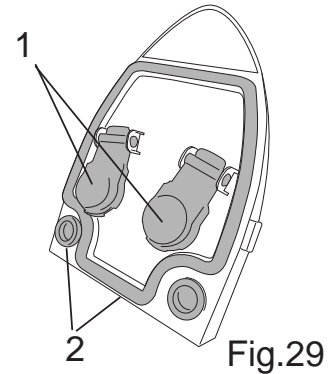
- Remove the dirty water tank from the machine and set it on the floor, referring to the section "Emptying the dirty water tank".
- Remove the filter and wash with water (fig. 30, ref. 2).

Cleaning the front squeegee suction hose

- Remove the dirty water tank and the detergent tank and set them on the floor, referring to the section "Emptying the water/detergent tank" and "Emptying the dirty water tank".
- Detach the hose from the diverter valve (fig. 31, ref. 1) and from the front squeegee (fig. 31, ref. 2).
- Wash the hose by directing water into the bore (fig. 32)
- Reattach the hose.

Cleaning the rear squeegee suction hose

- Remove the dirty water tank and the detergent tank and set them on the floor, referring to the section "Emptying the water/detergent tank" and "Emptying the dirty water tank".
- Pull the handle up perpendicular to the machine.
- Lower the squeegee by operating the lever.
- Tilt the machine backwards and rest the handle on the floor.
- Detach the hose from the diverter valve and from the rear squeegee (fig. 33, ref. 1).
- Wash the hose by directing water into the bore (fig. 32)
- Reattach the hose.



Cleaning the diverter valve

! INFORMATION

This procedure should take place in an area suitable for servicing operations, as the floor will become dirty and wet.

! WARNING

Wear overalls, non-slip shoes, gloves and all other items of PPE appropriate for the work environment.

- Remove the dirty water tank and the detergent tank and set them on the floor, referring to the section "Emptying the water/detergent tank" and "Emptying the dirty water tank".
- Detach the front squeegee suction hose from the diverter valve.
- Detach the rear squeegee suction hose from the diverter valve.
- Release the retaining lever (fig. 35, ref. 1) and remove the cover of the diverter valve.
- Clean the chamber of the valve (fig. 36, ref. 1), removing any encrustations, and rinse with clean water; wipe the seals of the cover with a soft cloth.

! INFORMATION

Do not clean seals with ethyl alcohol.

Cleaning the squeegee

- Remove the dirty water tank and the detergent tank and set them on the floor, referring to the section "Emptying the water/detergent tank" and "Emptying the dirty water tank".
- Pull the handle up perpendicular to the machine.
- Tilt the machine backwards and rest the handle on the floor.
- Clean the blades of both squeegees with a moist cloth (fig. 37, ref. 1).
- Clean the suction inlet port of both squeegees (fig. 37, ref. 2).

Squeegee adjustment

The squeegee is factory-adjusted to give an optimum drying action on different types of floor surface, but in the event that results do not meet expectations, there are further adjustments that can be made.

To ensure a faultless drying action, the lip of the squeegee blade should deflect 45° along its entire length, relative to the floor surface; the height of the squeegee can be adjusted by raising or lowering the wheels (fig. 38, ref. 1).

Replacing the squeegee blades

The squeegee blades collect the film of water and detergent from the floor and prepare the way for perfect drying. With time, the constant wiping action causes the edge of the blade in contact with the floor to become rounded and cracked, with the result that drying is less thorough and the blade must be replaced. Proceed as follows:

- Remove the dirty water tank and the detergent tank and set them on the floor, referring to the section "Emptying the water/detergent tank" and "Emptying the dirty water tank".

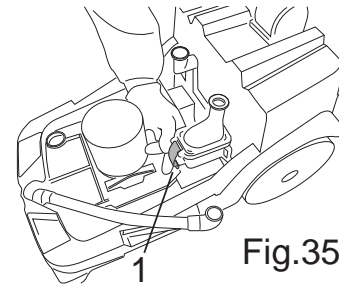


Fig.35

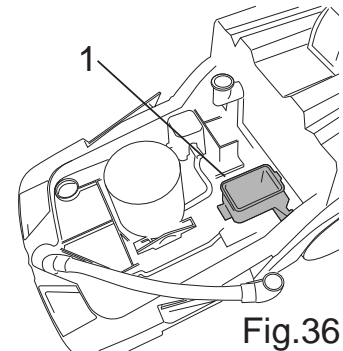


Fig.36

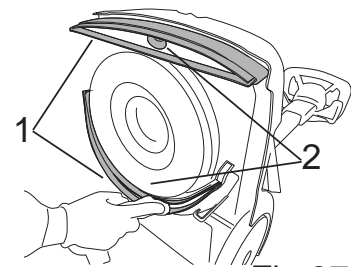


Fig.37

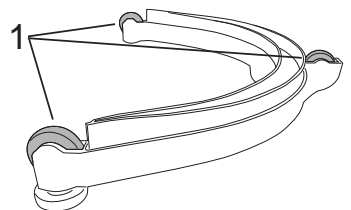
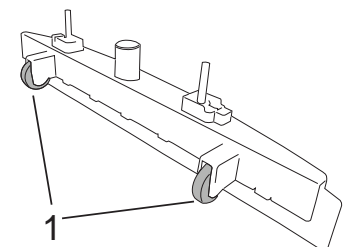


Fig.38



- Pull the handle up perpendicular to the machine.
- Tilt the machine backwards and rest the handle on the floor.

Front squeegee:

- Detach the suction hose from the squeegee (fig. 39, ref. 1).
- Unscrew the knobs (fig.39, ref. 2).
- Separate the squeegee from the machine (fig. 40, ref. 1).
- Pull out the blade, so as to free the entire assembly (fig. 41).
- Remove the blade.
- Either refit the same blade with the wiping edges reversed, so that it can be used until both edges are worn out, or replace with a new blade, clipping it to the slots in the body of the squeegee;
- Refit the squeegee to the machine, following the instructions described previously.

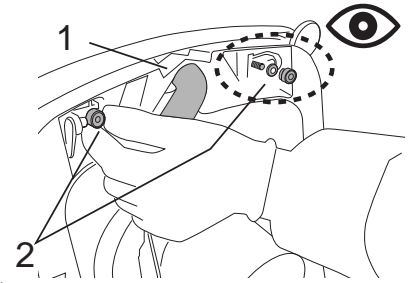


Fig.39

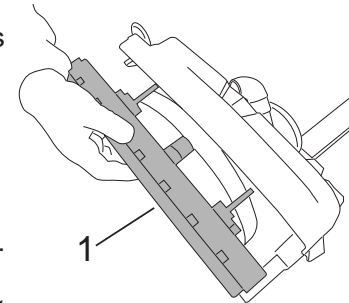


Fig.40

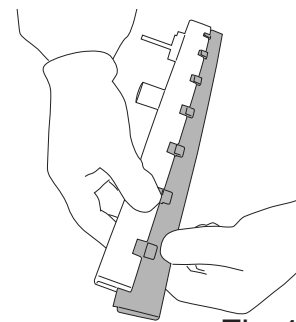


Fig.41

Rear squeegee:

- Lower the squeegee control lever.
- Detach the suction hose from the squeegee (fig. 42, ref. 1).
- Unscrew the knobs (fig.42, ref. 2).
- Pull out the blade, so as to free the entire assembly (fig. 43, ref. 1).
- Remove the blade (fig. 44).
- Either refit the same blade with the wiping edges reversed, so that it can be used until both edges are worn out, or replace with a new blade, clipping it to the slots in the body of the squeegee;
- Refit the squeegee to the machine, following the instructions described previously.

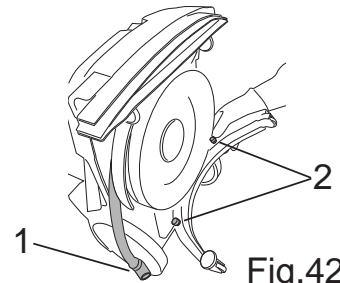


Fig.42

Replacing the brush

The brush presents a number of tufts, coloured red, with bristles shorter in length than the rest (fig. 45). When the tufts of black bristles wear down to the same length as the red bristles, the brush must be replaced. For directions on replacement of the brush, refer to the sections "Releasing the brush/pad drive board" and "Fitting the brush/pad drive board".

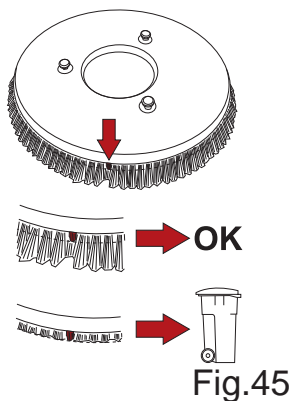


Fig.45

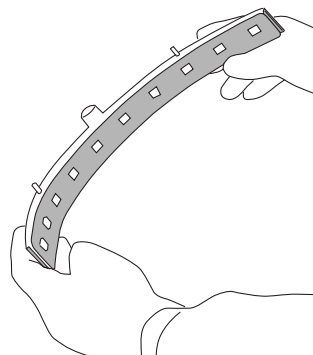


Fig.44

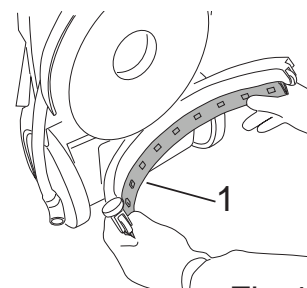


Fig.43

Periodic checks

CHECK	DAILY OPERATIONS	WEEKLY OPERATIONS	MONTHLY OPERATIONS
Cleaning the dirty water tank	X		
Cleaning the suction floats		X	
Cleaning the water/detergent tank filter		X	
Cleaning the suction filter		X	
Cleaning the front squeegee suction hose	X		
Cleaning the rear squeegee suction hose	X		
Cleaning the diverter valve		X	
Cleaning the squeegee blades	X		
Checking squeegee blade wear		X	
Checking brush wear			X

TROUBLESHOOTING

PROBLEMS	CAUSES	SOLUTIONS
Machine not working.	Flat battery.	Recharge the battery.
	Main switch is not on.	Press main switch.
Brush not rotating.	Brush control button not depressed.	Press the brush button.
	Brush control lever not activated.	Activate brush control lever.
Brush motor not starting easily.	You are working with a dry brush on a very rough floor.	Increase the quantity of detergent.
Machine not scrubbing uniformly.	The brush or disk is worn.	Replace the brush.
Detergent solution not reaching brush.	The detergent tank is empty	Fill detergent tank.
	The filter is dirty.	Clean filter of water/detergent tank.
	The hose delivering the detergent to the brush is clogged.	Remove blockage.
Suction motor not working.	Suction control button not depressed.	Press the suction button.

Squeegee not cleaning or vacuum weak.	The edge of the squeegee rubber blades in contact with the floor is worn.	Replace the rubber blades.
	Float controlled shut-off has been tripped (dirty water tank full).	Empty the dirty water tank.
	Squeegee suction hose clogged.	Unclog the hose.
	The suction hose is not connected to the squeegee or is damaged.	Connect or repair the hose.
	Diverter valve dirty.	Clean diverter valve.
Battery not giving expected operational endurance.	The battery charger is not working.	Replace battery charger.

ALARMS

Red Led alight on brush control button, 1 fast blink.	Brush motor overcurrent/short circuit.	Switch off all functions of the machine. Restart the machine. If the alarm appears again, make certain that the brush is not being used on a particularly rough floor. If the problem persists, contact customer service.
Red Led alight on brush control button, 2 fast blinks.	Detergent pump overcurrent/short circuit.	Switch off all functions of the machine. Restart the machine. If the problem persists, contact customer service.
Red Led alight on suction control button, 1 fast blink.	Suction motor overcurrent/short circuit.	Switch off all functions of the machine. Restart the machine. If the problem persists, contact customer service.
Green battery charge Led blinking.	Excess battery voltage.	Check the integrity, operation and use of the battery charger supplied with the machine. Wait 10 minutes then try again.
Battery charge LEDs flash in sequence.	Battery charging.	Detach the charging power connector from the battery.
Battery charge LEDs flash simultaneously.	No communication between Power Board and Touch Board.	Wiring or board problem. Contact customer service.
Logo LED is flashing slowly and double beep of buzzer occurs when the brush control lever is pressed.	Incorrect machine position.	Place the machine horizontally.

RECOMMENDED SPARE PARTS

Part No.	WEAR PARTS
SPPV02580	BRUSH, SCRUB, DISK, 28CM PYP, SOFT [OPTION]
SPPV02438	BRUSH, SCRUB, DISK, 28CM PYP, MEDIUM [STANDARD]
SPPV02581	BRUSH, SCRUB, DISK, 28CM PYP, HARD [OPTION]
SPPV02582	DRIVER ASM., PAD, 28CM
SPPV02583	PAD, SCRUB, 28CM, WHITE, [PKG OF 5 PADS]
SPPV02584	PAD, SCRUB, 28CM, RED, [PKG OF 5 PADS]
KTRI06148	BLADE KIT, SQUEEGEE, 28CM, LINATEX, FRONT [STANDARD]
KTRI06149	BLADE KIT, SQUEEGEE, 28CM, LINATEX, REAR [STANDARD]
KTRI06150	BLADE KIT, SQUEEGEE, 28CM, GUM RUBBER, FRONT [OPTION]
KTRI06151	BLADE KIT, SQUEEGEE, 28CM, GUM RUBBER, REAR [OPTION]
KTRI06152	BLADE KIT, SQUEEGEE, 28CM, PYU, FRONT [OPTION]
KTRI06153	BLADE KIT, SQUEEGEE, 28CM, PYU, REAR [OPTION]
Part No.	SERVICE PARTS
KTRI06154	SQUEEGEE ASM., 28CM, LINATEX, FRONT [STANDARD]
KTRI06155	SQUEEGEE ASM., 28CM, LINATEX, REAR [STANDARD]
MECE00813	BOARD MAIN, RV1
MECE00814	BOARD POWER 36VDC
MECI00588	MICROSWITCH
MECI00681	SWITCH
MFVR00305	DRIVE DISK
MOCC00477	MOTOR, BRUSH, 36V, 100W
MOCC00481	MOTOR, VACUUM
MPVR12254	SWITCH ON-OFF
MPVR12348	FILTER CS5 SOLUTION TANK
MPVR12484	FILTER, AIR INLET
GUGO00622	GASKET, RECOVERY TANK LID
KTRI06106	CARBON BRUSH, BRUSH MOTOR
PPEL00140	PUMP 24VDC
RTRT00708	WHEEL D.200
TBFX01282	HOSE, REAR SQUEEGEE
TBFX01283	HOSE, FRONT SQUEEGEE
KTRI06057	BATTERY, LITHIUM ION, 36V, 5.5AH [STD]
KTRI06058	BATTERY, LITHIUM ION, 36V, 8.25AH [OPTION]
BACA00263	CHARGER, BATTERY, 36VDC
MECB02131	CORD, POWER, CHARGER, 120V [NA]

MECB02130	CORD, POWER, CHARGER, 230V [CE]
MECB02135	CORD, POWER, CHARGER, 230V [UK]
MECB02133	CORD, POWER, CHARGER, 240V [CN/AUS]
MECB02134	CORD, POWER, CHARGER, 220V [BRZ]
KTRI06048	COVER ASSY, RECOVERY TANK [CS5]
KTRI06097	TANK ASM., RECOVERY
KTRI06104	TANK ASM., SOLUTION
KTRI06105	VALVE KIT, SUCTION

(Traducción de las instrucciones originales)

ÍNDICE

INSTRUCCIONES IMPORTANTES SOBRE LA SEGURIDAD.....	2
LEYENDA DE LOS SÍMBOLOS.....	6
CARACTERÍSTICAS TÉCNICAS.....	7
MEDIDAS DE LA MÁQUINA.....	8
INFORMACIÓN GENERAL.....	9
Finalidad del manual.....	9
Identificación de la máquina.....	9
Documentación/equipamiento adjunta a la máquina.....	9
INFORMACIÓN TÉCNICA.....	10
Descripción general.....	10
Leyenda.....	10
Accesorios.....	11
DESPLAZAMIENTO E INSTALACIÓN.....	11
Levantamiento y transporte de la máquina embalada.....	11
Controles que se deben realizar en el momento de la entrega.....	11
Desembalaje.....	11
Configuración de la posición de aparcamiento.....	12
Levantamiento y transporte de la máquina.....	12
Transporte sobre ruedas.....	12
Regule la inclinación del mango.....	13
Instalación del cepillo / disco de arrastre.....	13
Desenganche del cepillo / disco de arrastre.....	13
Batería: preparación / instalación / recarga.....	13
Batería: desmontaje.....	14
Batería: eliminación.....	14
GUÍA PRÁCTICA PARA EL OPERADOR.....	15
Preparación de la máquina para el trabajo.....	15
Mandos.....	16
Trabajo.....	17
Desmontaje de la tapa del depósito de agua sucia.....	18
Instalación de la tapa del depósito de agua sucia.....	18
Llenado del depósito de agua/detergente.....	18
Vaciado del depósito de agua/detergente.....	18
Vaciado del depósito del agua sucia.....	19
Regulación de la tracción.....	19
PERÍODOS DE INACTIVIDAD.....	20
INSTRUCCIONES PARA EL MANTENIMIENTO.....	20
Mantenimiento – Reglas generales.....	20
Limpieza del flotador de aspiración.....	21
Limpieza del filtro del depósito de agua/detergente.....	21
Limpieza del filtro de aspiración.....	21
Limpieza del tubo de aspiración del secador de suelo delantero.....	21
Limpieza del tubo de aspiración del secador de suelo trasero.....	21
Limpieza de la válvula parcializadora.....	22
Limpieza del secador de suelo.....	22
Regulación del secador de suelos.....	22
Sustitución del cepillo.....	23
INCONVENIENTES, CAUSAS Y SOLUCIONES.....	24
ALARMAS.....	25
PIEZAS DE REPUESTO RECOMENDADAS.....	26

INSTRUCCIONES IMPORTANTES

SOBRE LA SEGURIDAD

- Lea detenidamente las instrucciones de uso antes de utilizar la máquina por primera vez.
- Conserve las instrucciones de uso. Representan un componente importante de la máquina y deben entregarse junto con la máquina en caso de reventa.

ADVERTENCIAS

La máquina tiene un alto nivel de seguridad; sin embargo, la seguridad de la máquina solo se puede garantizar si sigue las instrucciones de este manual.

Uso previsto

- Esta máquina no está destinada para ser utilizada por personas (incluidos los niños) con discapacidades físicas, sensoriales o mentales o sin experiencia ni conocimiento.
- No está permitido utilizarla como juguete, evite que se utilice como tal.
- Los niños deben ser vigilados para que no jueguen con el aparato.
- La limpieza y el mantenimiento de la máquina deben ser llevados a cabo exclusivamente por adultos que sean plenamente conscientes y estén capacitados para hacerlo.
- El rango de temperatura previsto para utilizar la máquina varía entre +4 °C/39,2 °F y +40 °C/104 °F; cuando la máquina no se utiliza, el rango de temperatura oscila entre +0 °C/32 °F y +50 °C/122 °F.
- El rango de humedad previsto para la máquina en cualquier condición en que se encuentre es entre 30% y 95%.
- La máquina se debe utilizar en lugares con una altitud inferior a 2000 m.
- Esta máquina está destinada a un uso comercial, por ejemplo en hoteles, escuelas, hospitales, fábricas, tiendas, oficinas y

actividades comerciales.

- La máquina está destinada solo para uso en interiores.
- La máquina debe guardarse únicamente en lugares cerrados.
- No utilice la máquina para limpiar superficies con un gradiente superior al 2 %.

Peligro de descarga eléctrica

- Apague la máquina, desconecte la batería antes de realizar la limpieza y el mantenimiento.
- Si la máquina no funciona como debería, recibió un golpe fuerte, se dejó caer, se dañó, se dejó afuera o se dejó caer al agua, no la utilice y contacte al personal técnico especializado calificado de Tennant, o la actividad debe ser realizada en un centro de asistencia Tennant.
- No limpie la máquina con agua o con una hidrolimpiadora.
- No realice jamás por su cuenta las reparaciones de la máquina, póngase en contacto con el personal técnico especializado calificado de Tennant, o la actividad debe realizarse en un centro de asistencia Tennant.

Peligro de incendio

- No utilice la máquina para recoger líquidos inflamables o combustibles, tales como gasolina, ni la use en áreas donde puedan estar presentes dichas sustancias.
- No recoja nada que esté ardiendo o quemando, como cigarrillos, cerillas o cenizas calientes.
- No coloque la máquina sobre o cerca de una cocina ni de cualquier otra superficie caliente, la batería podría incendiarse o explotar.

Peligro de lesiones

- Mantenga el cabello, la ropa ancha, los dedos y todas las partes del cuerpo lejos de las aberturas y de las piezas móviles.
- Evite cualquier contacto con las piezas móviles de la máquina (cepillos y discos de arrastre).
- Tenga mucho cuidado al limpiar las escaleras.
- No utilice la máquina si las piezas de plástico están dañadas debido a caídas o golpes; protéjase de las piezas rotas y afiladas.

- Se recomienda conservar los detergentes en un lugar lejos del alcance de los niños; en caso de contacto con los ojos o contacto con la piel, lávese de inmediato y abundantemente con agua; en caso de ingestión, acuda con urgencia a un médico.
- Respete las normas de seguridad del lugar de trabajo relativas a los pavimentos mojados.
- Cuando sea necesario, coloque sobre el pavimento mojado las señales de seguridad durante el uso de la máquina.

Nota, peligro de daños debido al uso inadecuado












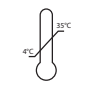
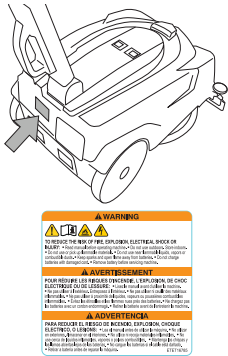

- Utilice únicamente piezas de repuesto originales del fabricante.
- Utilice solo detergentes de limpieza comerciales aprobados. Los daños causados a la máquina por un uso inadecuado del detergente anulan la garantía del fabricante.
- No coloque ningún objeto en las aberturas de ventilación. No use la máquina con las aberturas bloqueadas; elimine el polvo, residuos, cabellos y cualquier otra cosa que pueda reducir el flujo de aire.

Cargador de batería y Batería

- Cargador de batería, controle periódicamente el cable del cargador de batería comprobando que no esté dañado.
- Asegúrese de que las tomas de corriente para la alimentación del cargador de batería estén conectadas a una descarga a tierra adecuada y protegidas por interruptores magnetotérmicos de 2 polos con diferencial:
 - corriente nominal 10-16A
 - $I_{\Delta n}$ corriente diferencial: 0,03A
 - I_{cn} poder de corte: 6000 A
 - activación diferencial tipo AC
- Utilice exclusivamente el cargador de batería suministrado por el fabricante (código BACA00263), para cargar la batería.
- NO tire del cable del cargador de batería para desconectarlo de la toma, desconecte la clavija, no el cable.
- NO manipule el cable del cargador de batería con las manos mojadas.
- NO utilice cables de extensión con el cargador de batería.

- Utilice solo las baterías suministradas por el fabricante (código BAAC00196); otros tipos de baterías podrían explotar, provocando lesiones a las personas y daños a bienes.
- Mantenga la batería lejos de chispas y llamas.
- NO fume cerca de la batería ni del cargador de batería.
- NO cargue la batería al aire libre.
- NO exponga la batería a temperaturas superiores a 100 °C / 212 °F.
- Cargue la batería a una temperatura comprendida entre +4 °C/39,2 °F y +40 °C/104 °F.
- NUNCA deje la batería en espacios cerrados, por ejemplo en el interior de automóviles en días calurosos, donde las temperaturas pueden ser mucho más altas que la temperatura exterior.
- NO intente reparar o modificar la batería o el cargador de batería, sustitúyalo si estuviera averiado.
- NO cortocircuite los terminales de la batería o del cargador de batería con objetos conductores como grapas, la batería podría incendiarse o explotar.
- NO aplaste la batería, ni la deje caer, ni la incinere, ni la dañe.
- NO utilice una batería dañada por ningún motivo.
- NO retire la batería con la máquina encendida, riesgo de arranque involuntario de la máquina y riesgo de fluctuaciones de tensión en la parte electrónica.
- Elimine correctamente la batería, de conformidad con las normas ambientales locales vigentes. No desecharla con los residuos domésticos.

LEYENDA DE LOS SÍMBOLOS

	PENDIENTE SUPERABLE.
	MANUAL DEL OPERADOR, INSTRUCCIONES DE FUNCIONAMIENTO.
	LEER EL MANUAL ANTES DE UTILIZAR LA MÁQUINA.
	SÍMBOLO CORRIENTE CONTINUA.
	APARATO DE CLASE III. UN APARATO SE DEFINE DE CLASE III CUANDO LA PROTECCIÓN CONTRA LA ELECTROCUCIÓN SE BASA EN EL HECHO DE QUE NO HAY TENSIONES SUPERIORES A LA TENSIÓN DE SEGURIDAD MUY BAJA SELV (SAFETY EXTRA-LOW VOLTAGE). ESTE APARATO ESTÁ ALIMENTADO POR UNA BATERÍA O POR UN TRANSFORMADOR SELV.
	SÍMBOLO DE ENCENDIDO - APAGADO DEL CEPILLO.
	SÍMBOLO DE ENCENDIDO - APAGADO - REGULACIÓN DEL FLUJO DE LA SOLUCIÓN.
	SÍMBOLO DE ENCENDIDO - APAGADO DE LA ASPIRACIÓN.
	SÍMBOLO DE FUNCIONAMIENTO "ECO".
	SÍMBOLO DE ENCENDIDO - APAGADO DE LA MÁQUINA.
	RESIDUO ESPECIAL, NO DESECHAR EN LOS RESIDUOS COMUNES.
	TEMPERATURA MÍNIMA Y MÁXIMA DEL LÍQUIDO CONTENIDO EN EL DEPÓSITO.
	ETIQUETA DE SEGURIDAD. LA ETIQUETA DE SEGURIDAD APARECE EN LA MÁQUINA EN LA POSICIÓN INDICADA. SUSTITUYA LA ETIQUETA SI FALTARA O SI ESTUVIERA DAÑADA O FUERA ILEGIBLE.
	ETIQUETA RECICLAJE BATERÍA.

CARACTERÍSTICAS TÉCNICAS

Anchura de trabajo	mm	280
	pulgadas	11.02
Anchura secador de suelos	mm	380
	pulgadas	14.96
Productividad (por hora) Valor Teórico Máx.	m ² /h	976
	ft ² /h	10505
Productividad (por hora) Área estimada	m ² /h	639
	ft ² /h	6875
Número de cepillos	n°	1
Diámetro del cepillo	mm	280
	pulgadas	11.02
Presión máxima del cepillo	g/cm ²	30
	kPa	3.4
Velocidad de rotación del cepillo	r.p.m. RPM	160
Potencia nominal del motor del cepillo	W	100
	HP	0.134
Potencia nominal del motor de aspiración	W	160
	HP	0.21
Potencia total de la máquina durante el trabajo P _M	W	248
	HP	0.33
Velocidad máxima	km/h	3.5
	mph	2.17
Depósito de la solución	L	5
	gal	1.32
Depósito de agua sucia	L	5
	gal	1.32
Diámetro de las ruedas traseras	mm	200
	pulgadas	7.87
Pendiente superable	%	2
Peso bruto (GVW)	kg	26
	lbs	57.32
Peso durante el transporte sin la batería	kg	18.3
	lbs	40.34
Peso durante el transporte con la batería	kg	19.8 / 20.2
	lbs	43.65 / 44.53
Número de baterías	n°	1
Tensión de la máquina/batería V _M	V	36

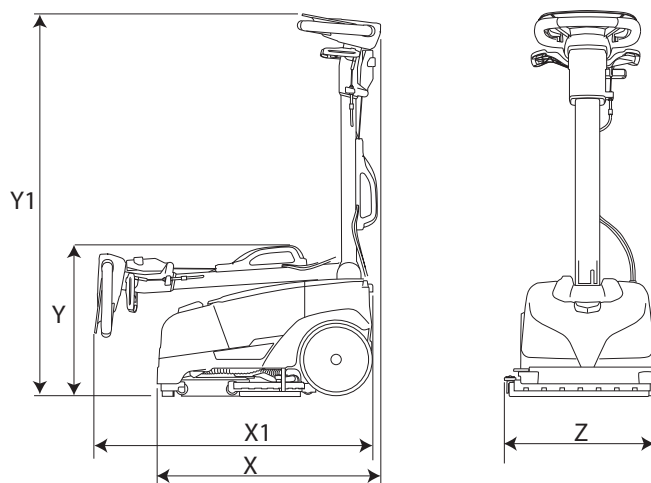
Capacidad de la batería (2 versiones)	Ah	5.5 / 8.25
Tensión de alimentación recarga baterías, V	V	42
Amperios máx. recarga baterías, I	A	4
Amperios recarga baterías (cargador de batería suministrado)	A	2
Medidas de la máquina (X, Y, Z)	mm	X= 615, X1= 770, Y= 399, Y1= 1049, Z= 412.5
	pulgadas	X= 24.21, X1= 30.31, Y= 15.7, Y1= 41.29, Z= 16.24
Dimensiones del alojamiento de la batería	mm	Alojamiento de la batería personalizado
Dimensiones del embalaje	mm	800 x 400 x 470
	pulgadas	31.49 x 15.74 x 18.5
Presión acústica - Anexo DD (Emisión del ruido acústico) EN 60335-2-72: 2012	LpA (dBA)	63
Incertidumbre de la presión acústica	K (dBA)	3
Vibraciones mano - IEC 60335-2-72	ahv m/s ²	<=2,5
Temperatura máxima del agua y detergente	°C	40
	°F	104
Grado de protección	IP	IPX3

Peso bruto (GVW): peso máximo con carga plena admitido de la máquina lista para el uso y de su carga útil. El peso bruto de la máquina incluye el depósito de agua y detergente lleno de agua limpia, el depósito de agua sucia, las baterías más grandes recomendadas, todos los accesorios como cables, tubos, detergentes y cepillos.

V, I : valores para la recarga/alimentación

V_M, P_M : máquina trabajando (todas las funciones activas)

MEDIDAS DE LA MÁQUINA



X-Y-Z: Véase la tabla "CARACTERÍSTICAS TÉCNICAS"

INFORMACIÓN GENERAL

Finalidad del manual

Este manual ha sido redactado por el Fabricante y forma parte integrante de la **máquina**¹. En el manual se define el uso previsto de la máquina y también contiene toda la información necesaria para los **operadores**².

Además de este manual, que contiene la información necesaria para los usuarios, se han redactado otras publicaciones que contiene información específica para los técnicos encargados del **mantenimiento**³.

Las indicaciones derecha o izquierda, horario o antihorario presentes en este manual siempre se refieren al sentido de avance de la máquina.

El respeto constante de las indicaciones garantiza la seguridad de las personas y de la máquina, un uso económico, la calidad de los resultados y una mayor duración del funcionamiento de la misma máquina. El incumplimiento de las prescripciones podría provocar daños al hombre, a la máquina, al suelo lavado y al medio ambiente.

Para localizar rápidamente los argumentos, consulte el índice descriptivo que se encuentra en el comienzo del manual.

Los párrafos que revisten una importancia particular están destacados en negrita y anteceditos por los símbolos que se ilustran y definen a continuación.

! PELIGRO

Indica que es necesario tener cuidado para no incurrir en consecuencias serias que podrían provocar la muerte del personal o posibles daños a la salud.

! ATENCIÓN

Indica que es necesario tener cuidado para no incurrir en consecuencias serias que podrían causar daños a la máquina, al entorno en que se trabaja o pérdidas económicas.

! INFORMACIÓN

Indicaciones que revisten particular importancia

El Fabricante, en su afán de mantener una política de desarrollo y actualización constante del producto, puede modificarlo sin ningún aviso previo.

Si bien la máquina en su poder se diferencia sensiblemente de las ilustraciones contenidas en este documento, se garantizan la seguridad y la información sobre la misma.

Identificación de la máquina

En la placa de características se hallan las siguientes informaciones:

- Modelo.
- Tensión de alimentación.
- Corriente nominal absorbida.
- Número de serie (número de matrícula).
- Año de fabricación.
- Grado de protección IP.
- Peso bruto.
- Pendiente máxima.
- Identificación del Fabricante.

Documentación/equipamiento adjunta a la máquina

- Manual de uso;
- Guía rápida para el uso;

¹ La definición "máquina" sustituye la denominación comercial "CT5" a la que se refiere este manual.

² Son las personas que tienen la función de utilizar la máquina sin realizar trabajos que requieran una capacitación técnica específica.

³ Las personas con experiencia, capacitación técnica y conocimientos de la normativa pueden realizar los trabajos necesarios y son las que logran reconocer y evitar posibles peligros durante el desplazamiento, instalación, uso y mantenimiento de la máquina.

INFORMACIÓN TÉCNICA

Descripción general

La máquina en cuestión es una fregadora-secadora de suelos, que se utiliza en entornos civiles e industriales para barrer, lavar y secar los suelos planos, horizontales, lisos o moderadamente irregulares, uniformes y sin obstáculos.

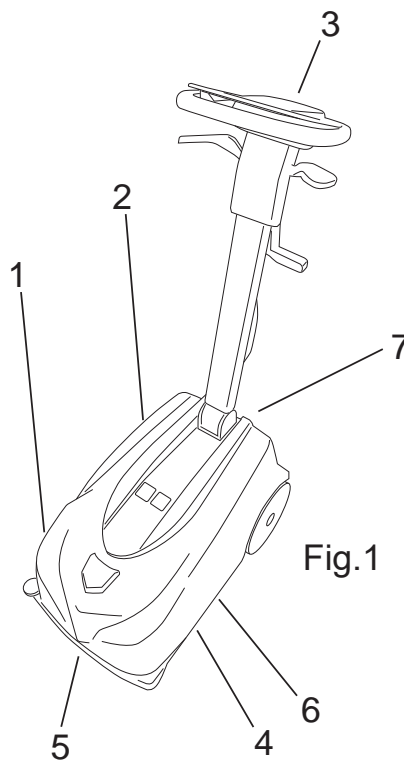
La máquina distribuye sobre el suelo una solución dosificada de agua y detergente y lo cepilla adecuadamente a fin de remover la suciedad. Seleccionando atentamente el detergente para limpieza y los cepillos (o discos abrasivos) entre la dilatada gama de accesorios disponibles, la máquina se puede adaptar a diferentes combinaciones de tipos de suelo y de suciedad.

Un sistema de aspiración de líquidos, integrado en la máquina, permite secar el suelo recién lavado. El secado se produce a través del vacío generado por el motor de aspiración en el depósito de agua sucia. Los secadores de suelo, conectados al mismo depósito, permiten recoger el agua sucia tanto con la máquina avanzando como retrocediendo.

Leyenda

Los componentes principales de la máquina son los siguientes:

- El depósito de agua/detergente (Fig. 1-Ref. 1), sirve para contener y transportar la mezcla de agua limpia y del producto de limpieza.
- El depósito de agua sucia (Fig. 1-Ref. 2): sirve para recoger el agua sucia aspirada del suelo durante el lavado.
- Cuadro de mandos (Fig. 1-Ref. 3).
- Grupo cabezal (Fig. 1-Ref. 4), el elemento principal está representado por el cepillo que distribuye la solución de detergente sobre el suelo, eliminando la suciedad.
- Secador de suelo delantero (Fig. 1-Ref. 5), tiene la función de arrastrar el agua y secar el suelo al tirar de la máquina en dirección al operador.
- Secador de suelo trasero (Fig. 1-Ref. 6), tiene la función de arrastrar el agua y secar el suelo mientras se avanza.
- Batería (Fig. 1-Ref. 7).



Accesorios

- Cepillos: Soft (código SPPV02580); Medium [Estándar] (código SPPV02438); Hard (código SPPV02581) .
- Porta Pad (código SPPV02582).
- Batería estándar (código BAAC00196).
- Cargador de baterías (código BACA00263).

DESPLAZAMIENTO E INSTALACIÓN

Levantamiento y transporte de la máquina embalada

La máquina es colocada dentro de un embalaje de cartón por el Fabricante. Manipule con cuidado sin golpear la máquina ni volcarla.

Controles que se deben realizar en el momento de la entrega

En el momento de la entrega, controle con atención la integridad del embalaje y la de la máquina embalada.

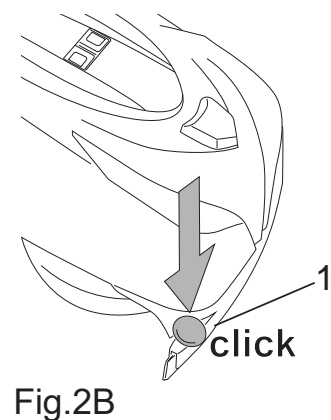
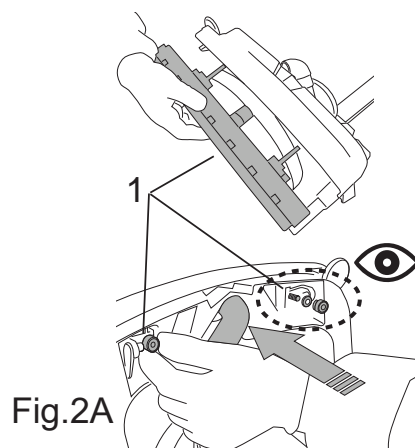
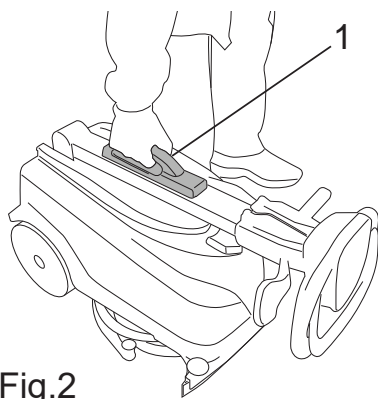
Desembalaje

Desembale la máquina siguiendo estas operaciones:

- corte los flejes de plástico con tijeras o tenazas y elimínelos;
- abra el cartón;
- Quite del embalaje el siguiente material:
 - manual de uso y mantenimiento,
 - tarjeta de garantía;
 - guía rápida para el uso;
 - rueda paragolpes;
 - secador de suelo delantero;
 - cepillo;
 - cargador de batería;
- Retire la máquina del embalaje levantándola desde el mango (Fig. 2-Ref. 1), apóyela sobre el pavimento.
- Plegar el mango perpendicular a la máquina, consulte el apartado “Regular la inclinación del mango”.
- Retire de la máquina el depósito de agua sucia y el depósito de detergente y colóquelos en el suelo, consulte el apartado “Vaciado del depósito de agua/detergente” y “Vaciado del depósito de agua sucia”.
- Gire la máquina hacia atrás apoyando el mango sobre el suelo.
- Corte las bridas aplicadas en el secador trasero.
- Instale el secador delantero (Fig.2A-Ref.1).
- Instale la rueda paragolpes (Fig.2B-Ref.1).

! ATENCIÓN

Conserve los elementos del embalaje puesto que en caso de traslado o envío a los talleres autorizados garantizará la seguridad de la máquina y de la batería instalada.



Configuración de la posición de aparcamiento

! ATENCIÓN

Antes de colocar la máquina en la posición de aparcamiento, vacíe el depósito de agua y detergente y el depósito de agua sucia, consulte los apartados “Vaciado del depósito de agua/detergente y Vaciado del depósito de agua sucia”.

! ATENCIÓN

La máquina siempre debe estacionarse en posición vertical, si se deja en posición de trabajo (horizontal) las cerdas del cepillo pueden deformarse al igual que los labios de los secadores.

- Apague la máquina con el interruptor general (Fig. 3-Ref. 1).
- Levante el secador de suelo con la palanca (Fig. 3-Ref. 2).
- Pliegue completamente el mango hacia el cabezal, consulte el apartado “Regulación de la inclinación del mango”.
- Gire la máquina en posición vertical (Fig. 4).
- Con un paño seque el secador de suelo delantero, trasero y el cepillo.

Levantamiento y transporte de la máquina

! PELIGRO

Peligro de lesiones si el mango no está correctamente bloqueado.

! ATENCIÓN

Vacíe el depósito de agua y detergente y el depósito de agua sucia, consulte los apartados “Vaciado del depósito de agua/detergente y Vaciado del depósito de agua sucia”.

- Apague la máquina con el interruptor general (Fig. 6-Ref. 1).
- Levante el secador de suelo con la palanca (Fig. 5-Ref. 1).
- Pliegue el mango completamente hacia el cabezal.
- Levante la máquina desde la empuñadura del mango (Fig. 6-Ref. 2).

Transporte sobre ruedas

Es posible transportar la máquina con las ruedas y guiarla en todas las direcciones:

- Incline el mango de manera que quede perpendicular a la máquina. Pliegue la máquina hacia atrás (Fig. 7), transporte la máquina en la dirección deseada.



Fig.3

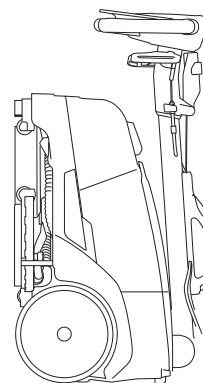


Fig.4

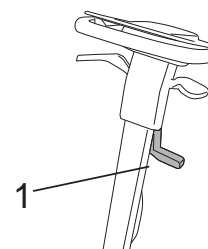


Fig.5

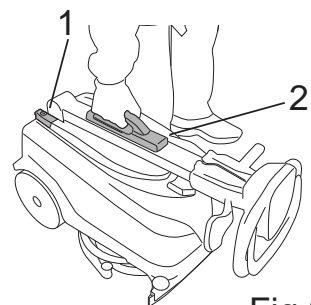


Fig.6

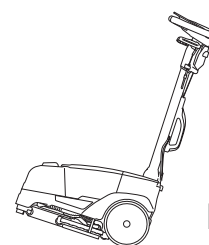


Fig.7

Regule la inclinación del mango

Tire de la palanca de regulación (Fig. 9-Ref. 1), luego incline el mango hacia la posición deseada, al soltar la palanca, el mango quedará bloqueado en esa posición.

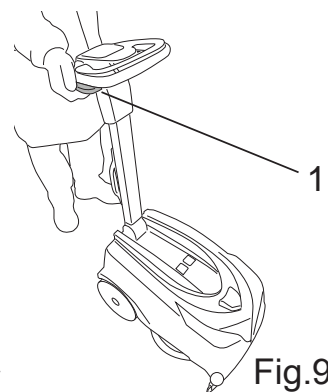


Fig.9

Instalación del cepillo / disco de arrastre

- Encienda la máquina pulsando el interruptor general (Fig. 10-Ref. 1).
- Pulse el botón del cepillo (Fig. 11-Ref. 1).
- Apoye el cepillo sobre el suelo, delante de la máquina.
- Haciendo palanca con el mango, levante la parte delantera de la máquina, coloque el cubrecepillo de la máquina sobre el cepillo y luego baje la máquina (Fig. 12).
- Accione la palanca de mando del cepillo (Fig. 11-Ref. 2) brevemente; de esta manera, el cepillo se engrana automáticamente en el cubo de la brida. Si con esta maniobra no lograra enganchar el cepillo, presione nuevamente sobre la empuñadura y repita el centrado y los impulsos con la palanca de mando del cepillo.

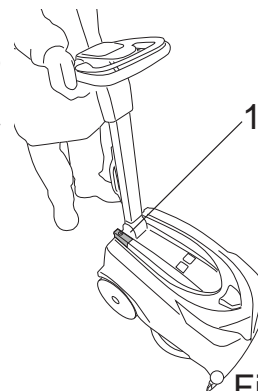


Fig.10

Desenganche del cepillo / disco de arrastre

- Encienda la máquina pulsando el interruptor general (Fig. 10-Ref. 1).
- Levante la parte delantera de la máquina haciendo palanca con el mango (Fig.12).
- Pulse el botón del cepillo (Fig. 11-Ref. 1) durante tres segundos, la máquina desenganchará el cepillo automáticamente.

Batería: preparación / instalación / recarga

! PELIGRO

- Utilice solo las baterías suministradas por el fabricante (código BAAC00196); otros tipos de baterías podrían explotar, provocando lesiones a las personas y daños a bienes.
- Mantenga la batería lejos de chispas y llamas.
- NO fume cerca de la batería ni del cargador de batería.
- NO cargue la batería al aire libre.
- NO exponga la batería a temperaturas superiores a 100 °C / 212 °F.
- Cargue la batería a una temperatura comprendida entre +4 °C/39,2 °F y +40 °C/104 °F.
- NUNCA deje la batería en espacios cerrados, por ejemplo en el interior de automóviles en días calurosos, donde las temperaturas pueden ser mucho más altas que la temperatura exterior.
- NO intente reparar ni modificar la batería o el cargador de batería, póngase en contacto con Tennant por cualquier problema.
- NO cortocircuite los terminales de la batería o del cargador de batería con objetos conductores como grapas, la batería podría incendiarse o explotar.
- NO aplaste la batería, ni la deje caer, ni la incinere, ni la dañe.
- NO utilice una batería dañada por ningún motivo.

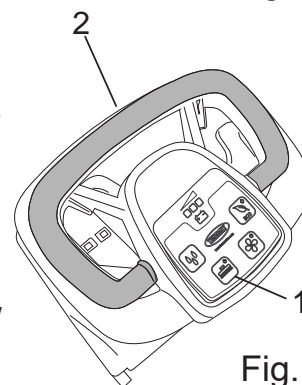


Fig.11

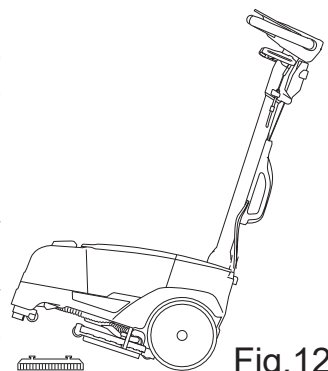


Fig.12

! ATENCIÓN

Utilice exclusivamente el cargador de batería suministrado por el fabricante (código BACA00263), para cargar la batería.

La batería es una unidad sellada y su seguridad está garantizada en circunstancias normales; en el caso improbable de fugas de líquido de la batería, no toque el líquido y observe las siguientes precauciones:

- El contacto con la piel puede causar irritación, lavar con agua y jabón.
- La inhalación puede causar irritación de las vías respiratorias, exponer al aire libre y consultar a un médico.
- El contacto con los ojos puede causar irritación, lavar inmediatamente los ojos con abundante agua durante al menos 15 minutos, consultar a un médico.

La batería se suministra normalmente cargada y lista para su uso; sin embargo, se recomienda realizar una recarga antes de poner en marcha la máquina; para esta operación, realice el siguiente procedimiento:

- Conecte el conector jack del cargador de batería en el conector situado en la batería (Fig.13).
- Conecte el cargador de batería a la toma de corriente.
- Espere a que termine el ciclo completo de recarga, el led en el cargador de baterías de ilumina de verde.
- Desconecte el cargador de batería de la toma de corriente y de la máquina.

Batería: desmontaje

! PELIGRO

Durante la desconexión de la batería, aléjese de las llamas abiertas y fuentes de calor, no cortocircuite los polos de la batería, no provoque chispas ni fume.

! PELIGRO

La batería solo se puede desconectar con la máquina apagada.

Presione los dos cierres deslizantes de desbloqueo, extraiga la batería (Fig. 13A-Ref. 1).

Batería: eliminación

Elimine de forma adecuada, de conformidad con las normas ambientales locales vigentes. No desecharla con los residuos domésticos.

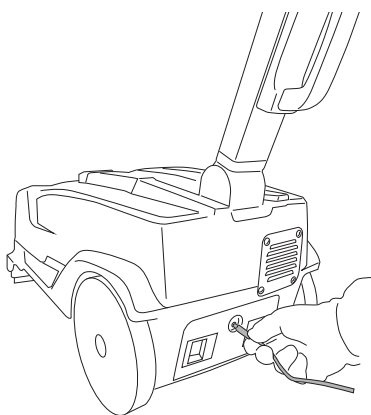


Fig.13

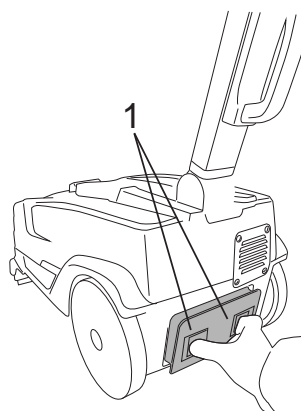


Fig.13A

GUÍA PRÁCTICA PARA EL OPERADOR

! INFORMACIÓN

Si utilizara la máquina por primera vez, se recomienda un breve período de prueba sobre una superficie amplia y sin obstáculos, para adquirir la confianza necesaria.

! ATENCIÓN

Para no arruinar la superficie del suelo, no deje que los cepillos giren con la máquina detenida.

! ATENCIÓN

Diluya siempre los detergentes según las indicaciones del proveedor. No utilice hipoclorito de sodio (lejía) u otros oxidantes, especialmente en concentraciones altas, ni utilice disolventes o hidrocarburos. La temperatura del agua y del detergente no debe superar la temperatura máxima indicada en las “Características Técnicas” y dichos elementos no deben contener arena ni otras impurezas.

! INFORMACIÓN

La máquina ha sido diseñada para ser utilizada con detergentes no espumosos y biodegradables, específicos para fregadoras-secadoras de suelos.

! ATENCIÓN

Utilice solo detergentes de limpieza comerciales aprobados. Los daños causados a la máquina por un uso inadecuado del detergente anulan la garantía del fabricante.

! INFORMACIÓN

Utilice solo productos adecuados para el suelo y para la suciedad que deba limpiar. Respete las normas de seguridad sobre el uso de los detergentes indicadas en el capítulo “Instrucciones importantes sobre la seguridad”.

! PELIGRO

Antes de empezar a trabajar, póngase batas, zapatos antideslizantes, guantes y cualquier otro equipo de protección indicado por el Proveedor del detergente empleado o necesario para el lugar donde se trabaja.

Preparación de la máquina para el trabajo

Antes de comenzar a trabajar, lleve a cabo las siguientes operaciones:

- Controle a través de los indicadores luminosos de control de la carga de la batería, que la batería esté completamente cargada; de lo contrario, cargue la batería consultando el apartado “Batería: preparación / instalación / recarga”.
- Asegúrese de que el depósito de agua sucia esté vacío; si así no fuera, vacíelo, véase el apartado “Vaciado del depósito de agua sucia”.
- Asegúrese de que el depósito de la solución de detergente esté lleno; si así no fuera, llénelo, véase el apartado “Llenado del depósito de agua/detergente”.
- Regule la inclinación del mango, consulte el apartado “Regulación de la inclinación del mango”.
- Instale el cepillo, consulte el apartado “Instalación del cepillo / disco de arrastre”.

Mandos

La máquina incorpora los siguientes mandos e indicadores luminosos:

- Interruptor general (Fig. 14-Ref. 1): habilita y deshabilita la alimentación eléctrica de todas las funciones de la máquina.
- Indicador luminoso de control de la carga de la batería (Fig. 15, Ref. 1): formado por 3 ledes de color rojo, amarillo y verde que señalan el nivel de la carga de la batería. Las posibles situaciones son:
 - batería 100%: led rojo, amarillo y verde encendidos.
 - batería 30%: ledes rojo y amarillo encendidos.
 - batería 10%: led rojo encendido.
 - batería 5%: led rojo encendido e intermitente, batería completamente descargada, después de algunos segundos, se activa el bloqueo del motor del cepillo y del motor de aspiración.
- Botón del cepillo (Fig. 15-Ref. 2): habilita (“LED encendido”) e inhabilita (“LED apagado”) la función “Cepillo”, el cepillo entra en funcionamiento solo accionando la “Palanca de accionamiento del cepillo” (Fig. 14-Ref. 2).

! INFORMACIÓN

Al pulsar el botón del cepillo, también se habilitan automáticamente las funciones de aspiración y distribución del flujo de la solución; estas habilitaciones se pueden modificar posteriormente utilizando individualmente los botones respectivos.

- Botón de aspiración (Fig. 15-Ref. 3): enciende (“LED encendido”) y apaga (“LED apagado”) el motor de aspiración, así permitiendo secar el suelo que se está limpiando. El motor funciona solo cuando se activa la “Palanca de mando del cepillo”.
- Botón flujo de la solución (Fig. 15-Ref. 5): para habilitar, inhabilitar o modificar la salida del flujo de la solución, proceda de la siguiente manera:
 - pulsando una vez el botón flujo de la solución, las tres gotas se encenderán y el flujo será máximo; pulsando de nuevo el botón, el flujo disminuye y las gotas encendidas serán dos; al repetir el mismo procedimiento, es posible disminuir aún más el flujo hasta que se interrumpe, no se encenderá ninguna gota.

La solución sale únicamente cuando el cepillo está funcionando.

- Botón ECO (Fig. 15-Ref. 4): habilita (“LED encendido”) e inhabilita (“LED apagado”) el funcionamiento ECO.

! INFORMACIÓN

Funcionamiento ECO, reduce automáticamente la potencia del motor del cepillo y del motor de aspiración, la salida del flujo de la solución se configura en el nivel 1.

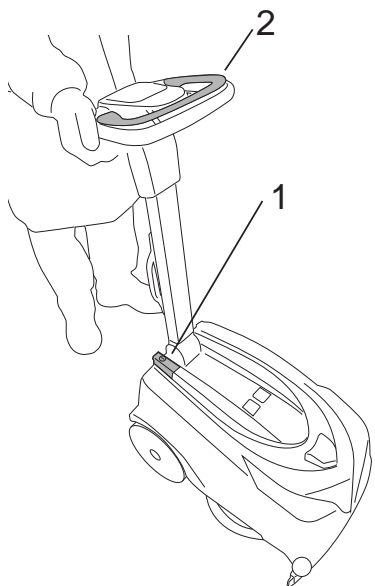


Fig.14

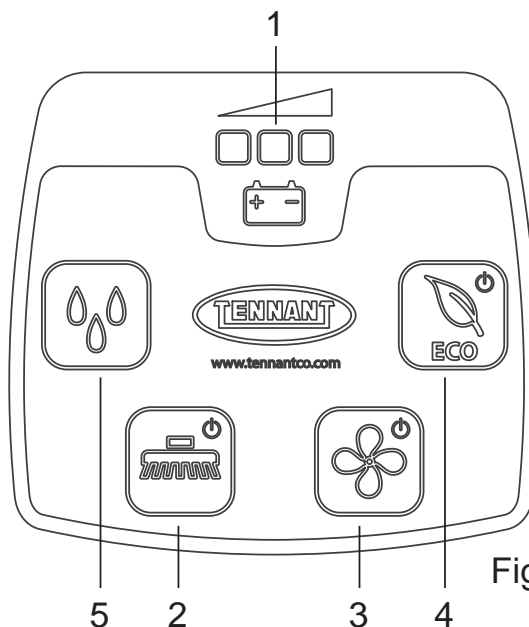


Fig.15

Trabajo

- Pulse el interruptor general (Fig. 16-Ref. 1).
- Pulse el botón del cepillo o el botón ECO (Fig. 17-Ref. 1), además del cepillo, se activará la aspiración y la salida del flujo de la solución.
- Baje el secador de suelo con la palanca (Fig. 16-Ref. 2).
- Accione la palanca de mando del cepillo (Fig. 16-Ref. 3).
- Comience a trabajar.

! INFORMACIÓN

Esta máquina puede secar el pavimento tanto avanzando como en marcha atrás.

Para accionar el secado en marcha atrás, tire de la palanca (Fig. 18-Ref. 1).

- Durante el trabajo, compruebe la calidad del lavado y regule la salida del flujo de la solución con el botón de flujo de solución (Fig. 17-Ref. 3).

! INFORMACIÓN

Controle periódicamente que llegue solución al cepillos y rellene cuando se termine.

! ATENCIÓN

Si durante el trabajo el LED rojo del indicador luminoso de control de la carga de la batería comienza a destellar, significa que la batería está por descargarse; después de unos segundos se bloquea el funcionamiento del cepillo y de la aspiración; recargue la batería consultando el apartado “Batería: preparación / instalación / recarga”.

Si en el suelo hubiera un tipo de suciedad difícil de limpiar, la máquina puede hacer las operaciones de lavado y secado por separado.

Prelavado con el uso de cepillos o pad:

- Levante el secador de suelo con la palanca (Fig. 16-Ref. 2).
- Pulse el interruptor general (Fig. 16-Ref. 1).
- Pulse el botón del cepillo (Fig. 17-Ref. 1).
- Apague el aspirador pulsando el botón de aspiración (Fig. 17-Ref. 2).
- Accione la palanca de mando del cepillo (Fig. 16-Ref. 3).
- Lave en especial los puntos más sucios, de esta manera el detergente tendrá el tiempo necesario como para cumplir su acción química de separación y suspensión de la suciedad y los cepillos podrán cumplir una acción mecánica eficaz.

Secado:

- Baje el secador de suelo con la palanca (Fig. 16-Ref. 2).
- Presione el pulsador aspirador para activar la aspiración, pase nuevamente por la misma zona antes lavada, así se obtiene un resultado equivalente al lavado profundo y se reducirán las operaciones de mantenimiento ordinario.

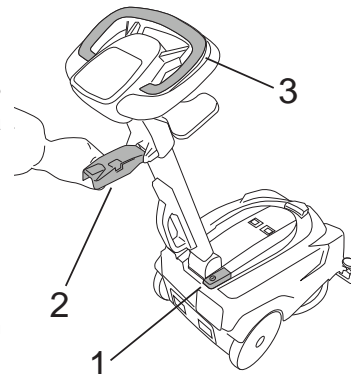


Fig.16

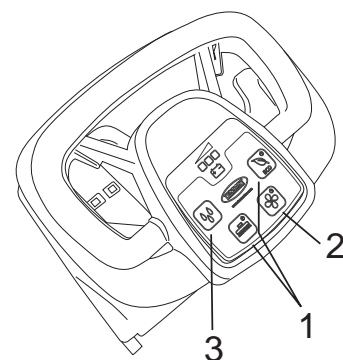


Fig.17

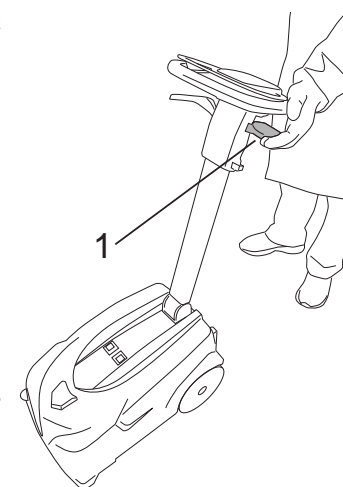


Fig.18

Desmontaje de la tapa del depósito de agua sucia

- Desenganche la tapa del depósito de agua sucia presionando hacia adentro los dos cierres deslizantes (Fig.19-Ref.1).
- Levante la tapa.

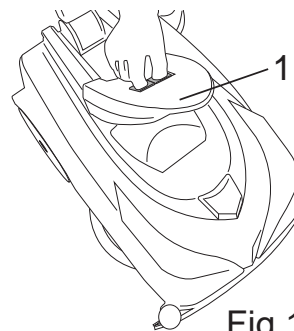


Fig.19

Instalación de la tapa del depósito de agua sucia

! INFORMACIÓN

La instalación **INCORRECTA** de la tapa en el depósito de agua sucia determina el funcionamiento defectuoso de la máquina durante el secado del suelo.

- Apoye la tapa sobre el depósito.
- Ejercer una presión en la tapa hasta notar que se enganchan los dos cierres deslizantes en el depósito de agua sucia, los dos cierres deberán deslizarse hacia el exterior del depósito (Fig.20).

! INFORMACIÓN

La tapa está instalada correctamente cuando **NO** se ve el fondo **ROJO** en los dos alojamientos de los dos cierres (Fig. 20).

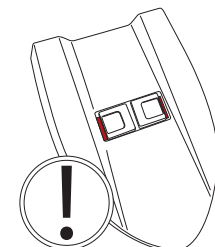


Fig.20

Llenado del depósito de agua/detergente

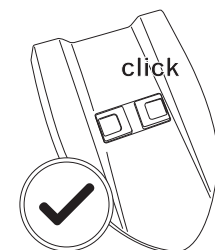
! INFORMACIÓN

Cada vez que se rellene el depósito, vacíe siempre el depósito de agua sucia.

El depósito se puede llenar de dos maneras diferentes:

Depósito instalado en la máquina:

- Apague la máquina con el interruptor general.
- Quite el tapón del depósito de detergente (Fig. 21-Ref. 1).
- Llène el depósito.



Depósito desmontado de la máquina:

- Apague la máquina con el interruptor general.
- Presione las dos palancas laterales de bloqueo del depósito (Fig. 22-Ref. 1), extraiga el depósito de agua sucia del bastidor y apóyelo en el suelo.
- Quite el tapón del depósito de detergente.
- Extraiga el depósito de detergente del bastidor.
- Llène el depósito (Fig. 23).

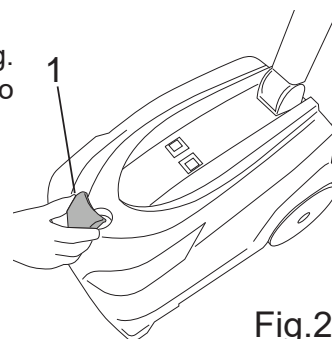


Fig.21

Vaciado del depósito de agua/detergente

El depósito se puede vaciar siguiendo estas instrucciones:

- Apague la máquina con el interruptor general.
- Coloque la máquina en la zona de vaciado.
- Presione las dos palancas laterales de bloqueo del depósito (Fig. 22-Ref. 1), extraiga el depósito de agua sucia del bastidor y apóyelo en el suelo.
- Extraiga el depósito de detergente del bastidor.
- Quite el tapón del depósito de detergente.
- Vacíe el contenido del depósito desde la abertura frontal (Fig. 24).

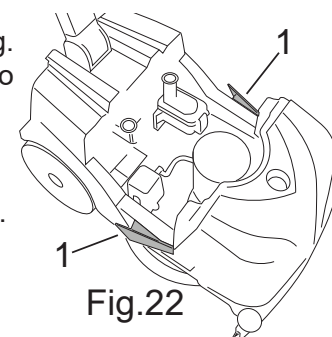


Fig.22

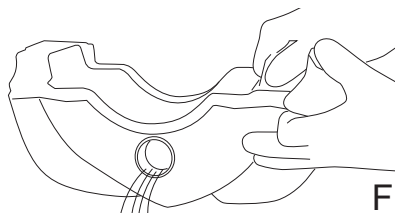


Fig.24

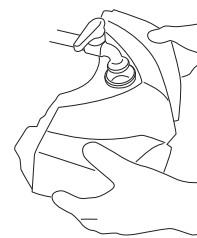


Fig.23

Vaciado del depósito del agua sucia

Un sistema de cierre automático de flotador, situado en la cubierta del depósito de agua sucia, bloquea el sistema de aspiración cuando el depósito de agua sucia está lleno. Es posible darse cuenta del bloqueo del sistema de aspiración, advirtiéndolo un aumento repentino del ruido del motor del sistema de aspiración; además, el pavimento no se seca, es necesario detenerse y vaciar el depósito siguiendo las instrucciones a continuación:

- Apague la máquina con el interruptor general.
- Coloque la máquina en la zona de vaciado.
- Presione las dos palancas laterales de bloqueo de los depósitos (Fig. 25-Ref. 1), extraiga el depósito de agua sucia del chasis.
- Retire el tapón del depósito de agua sucia (Fig. 26-Ref. 1).
- Vacíe el depósito (Fig. 27).

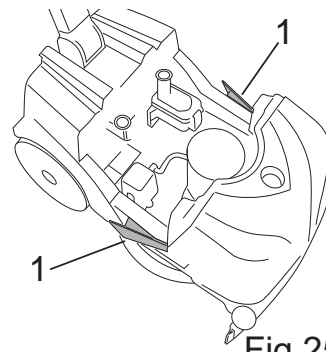


Fig.25

Regulación de la tracción

La máquina incorpora un dispositivo especial de tracción mecánica que utiliza la fricción que se produce entre el cepillo y el suelo para empujarla hacia adelante

Es posible modificar la intensidad de la tracción girando el regulador (Fig.28-Ref.1), el regulador está dividido en dos partes, una verde y una amarilla:

- al girarlo hacia la posición en que queda visible el color verde se aumenta la tracción.
- al girarlo hacia la posición en que queda visible el color amarillo se reduce la tracción.

Para regular siga las instrucciones dadas a continuación:

- Apague la máquina con el interruptor general.
- Retire de la máquina el depósito de agua sucia y el depósito de detergente y colóquelos en el suelo, consulte el apartado “Vaciado del depósito de agua/detergente” y “Vaciado del depósito de agua sucia”.
- Con una mano empuje hacia arriba el cepillo/motor, con la otra mano gire el regulador (Fig.28-Ref.1) hacia la posición deseada.

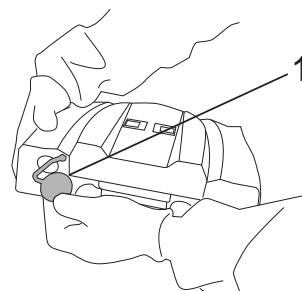


Fig.26

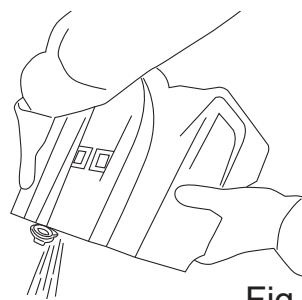


Fig.27

Fin del trabajo

- Apague la máquina con el interruptor general.
- Vacíe el depósito de agua sucia y enjuáguelo con agua limpia, consulte el apartado “Vaciado del depósito de agua sucia”.
- Vacíe el depósito de detergente, consulte el apartado “Vaciado del depósito de agua/detergente”.
- Coloque la máquina en la posición de aparcamiento, consulte el apartado “Configuración de la posición de aparcamiento”.

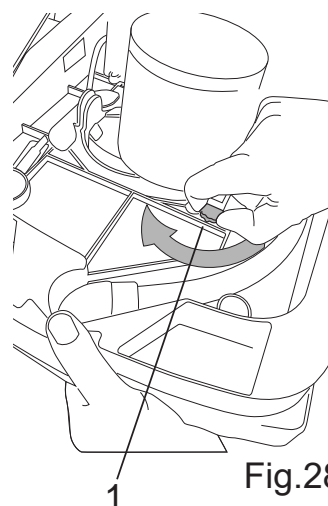


Fig.28

PERÍODOS DE INACTIVIDAD

Cuando tenga que dejar la máquina inactiva durante mucho tiempo, siga estos pasos:

- Retire la batería de la máquina, consulte el apartado “Batería: desmontaje” y recárguela completamente, consulte el apartado “Batería: preparación / instalación / recarga”. También realice recargas periódicas de reserva para mantener la batería constantemente con la carga máxima.
- Limpie los labios de los secadores de suelo con un paño húmedo, consulte el apartado “Limpieza del secador de suelo”.
- Abra y limpie el interior de la válvula parcializadora, consulte el apartado “Limpieza de la válvula parcializadora”.
- Desmonte y limpie los tubos de aspiración de los secadores de suelo, consulte el apartado “Limpieza del tubo de aspiración del secador de suelo delantero” y “Limpieza del tubo de aspiración del secador de suelo trasero”.
- Asegúrese de que los depósitos estén completamente vacíos y limpios, consulte el apartado “Vaciado del depósito de agua sucia” y “Vaciado del depósito de agua/detergente”.
- Coloque la máquina en la posición de aparcamiento, consulte el apartado “Configuración de la posición de aparcamiento”.

INSTRUCCIONES PARA EL MANTENIMIENTO

! PELIGRO

No hay que llevar a cabo ninguna operación de mantenimiento sin haber quitado antes las baterías de la máquina.

! ATENCIÓN

Antes de hacer cualquier operación de mantenimiento, vacíe el depósito de agua y detergente y el depósito de agua sucia, consulte los apartados “Vaciado del depósito de agua/detergente y Vaciado del depósito de agua sucia”.

! INFORMACIÓN

Las operaciones de mantenimiento o reparación no descritas explícitamente en este manual de uso deben ser realizadas por personal técnico especializado, de conformidad con las normas de seguridad vigentes.

! INFORMACIÓN

Someta regularmente la máquina a un mantenimiento para que siempre funcione de manera óptima.

! INFORMACIÓN

Está prohibido limpiar las juntas con alcohol etílico.

Este capítulo describe cómo realizar el mantenimiento.

Mantenimiento – Reglas generales

Cuando limpie la máquina siempre siga estos pasos:

- No utilice hidrolimpiadoras: podría entrar agua en el interior del compartimento eléctrico o de los motores, produciendo averías o cortocircuitos.
- No utilice vapor porque el calor podría deformar las piezas de plástico.
- no utilice hidrocarburos ni disolventes: se podrían arruinar los capós y las piezas de goma.

Limpeza del flotador de aspiración

- Desenganche la tapa del depósito de agua sucia.
- Gire la tapa y compruebe que el flotador pueda moverse libremente (Fig. 29-Ref. 1).
- Limpie las juntas con un paño húmedo (Fig. 29-Ref. 2).
- Instale la tapa.

! INFORMACIÓN

Está prohibido limpiar las juntas con alcohol etílico.

Limpeza del filtro del depósito de agua/detergente

- Retire de la máquina el depósito de agua sucia y el depósito de detergente y colóquelos en el suelo, consulte el apartado “Vaciado del depósito de agua/detergente” y “Vaciado del depósito de agua sucia”.
- Retire el filtro y lávelo con agua (Fig. 30-Ref. 1).

Limpeza del filtro de aspiración

- Retire de la máquina el depósito de agua sucia y colóquelo en el suelo, consulte el apartado “Vaciado del depósito de agua sucia”.
- Retire el filtro y lávelo con agua (Fig. 30-Ref. 2).

Limpeza del tubo de aspiración del secador de suelo delantero

- Retire de la máquina el depósito de agua sucia y el depósito de detergente y colóquelos en el suelo, consulte el apartado “Vaciado del depósito de agua/detergente” y “Vaciado del depósito de agua sucia”.
- Desenganche el tubo de la válvula parcializadora (Fig. 31-Ref. 1) y del secador de suelo delantero (Fig. 31-Ref. 2).
- Lave el tubo dejando correr agua en su interior (Fig. 32).
- Vuelva a montar el tubo.

Limpeza del tubo de aspiración del secador de suelo trasero

- Retire de la máquina el depósito de agua sucia y el depósito de detergente y colóquelos en el suelo, consulte el apartado “Vaciado del depósito de agua/detergente” y “Vaciado del depósito de agua sucia”.
- Pliegue el mango perpendicular a la máquina.
- Baje el secador de suelo con la palanca.
- Gire la máquina hacia atrás apoyando el mango sobre el suelo.
- Desenganche el tubo de la válvula parcializadora y del secador de suelo trasero (Fig. 33-Ref. 1).
- Lave el tubo dejando correr agua en su interior (Fig. 32).
- Vuelva a montar el tubo.

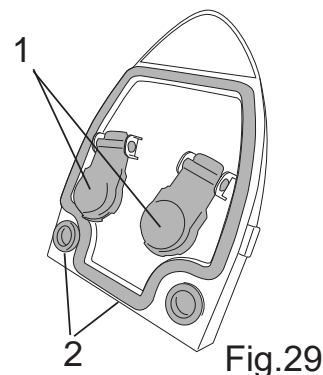


Fig.29

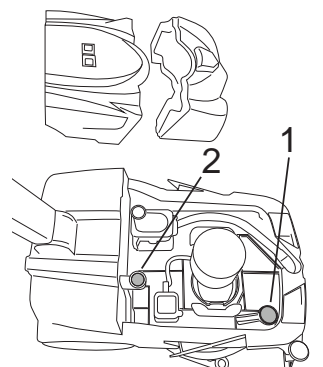


Fig.30

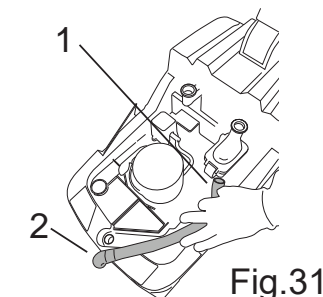


Fig.31

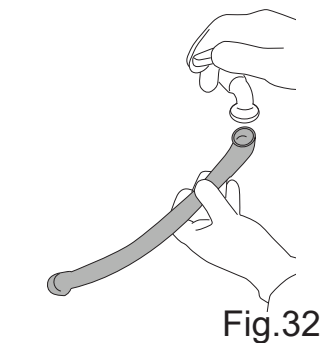


Fig.32

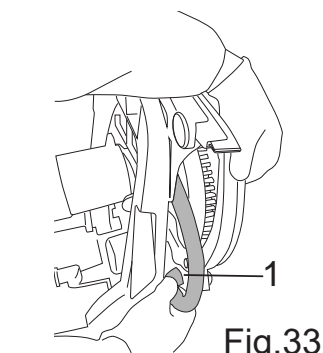


Fig.33

Limpeza de la válvula parcializadora

! INFORMACIÓN

Para realizar esta operación, colóquese en un entorno adecuado, el pavimento en el que trabajará se ensuciará y se mojará.

! ATENCIÓN

Póngase batas, zapatos antideslizantes, guantes y cualquier otro dispositivo requerido para el entorno en el que trabaja.

- Retire de la máquina el depósito de agua sucia y el depósito de detergente y colóquelos en el suelo, consulte el apartado “Vaciado del depósito de agua/detergente” y “Vaciado del depósito de agua sucia”.
- Desenganche de la válvula parcializadora el tubo de aspiración del secador de suelo delantero.
- Desenganche de la válvula parcializadora el tubo de aspiración del secador de suelo trasero.
- Quite la cubierta de la válvula parcializadora desenganchando la palanca (Fig. 35-Ref. 1).
- Limpie el interior de la válvula parcializadora (Fig. 36-Ref. 1) eliminando posibles incrustaciones y enjuague con agua, limpie las juntas de la cubierta con un paño suave.

! INFORMACIÓN

Está prohibido limpiar las juntas con alcohol etílico.

Limpeza del secador de suelo

- Retire de la máquina el depósito de agua sucia y el depósito de detergente y colóquelos en el suelo, consulte el apartado “Vaciado del depósito de agua/detergente” y “Vaciado del depósito de agua sucia”.
- Pliegue el mango perpendicular a la máquina.
- Gire la máquina hacia atrás apoyando el mango sobre el suelo.
- Con un paño húmedo, limpie los labios de ambos secadores de suelo (Fig. 37, Ref. 1).
- Limpie el colector de aspiración de ambos secadores de suelo (Fig. 37-Ref. 2).

Regulación del secador de suelos

El secador de suelo está regulado de fábrica para obtener un secado óptimo en diferentes tipos de pavimentos, en caso de que el secado se considere insatisfactorio, es posible realizar otras regulaciones.

Para obtener un secado perfecto, es necesario que el borde del labio que seca se flexione durante la fase de trabajo 45 ° con respecto al pavimento en cada punto, regule la altura del secador de suelo con las ruedas (Fig. 38-Ref. 1).

Sustitución de los labios del secador de suelos

Los labios del secador de suelo sirven para recoger del suelo la película de agua y detergente, permitiendo así un secado perfecto. Con el pasar del tiempo, el arrastre continuo redondea y fisura el canto vivo en contacto con el pavimento, perjudicando la eficacia del secado y requiriendo así la sustitución del labio. Proceda de la siguiente manera:

- Retire de la máquina el depósito de agua sucia y el depósito de detergente y colóquelos en el suelo, consulte el apartado “Vaciado del depósito de agua/detergente” y “Vaciado del depósito de agua sucia”.

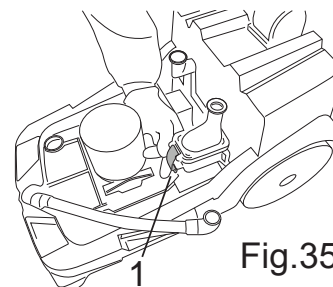


Fig.35

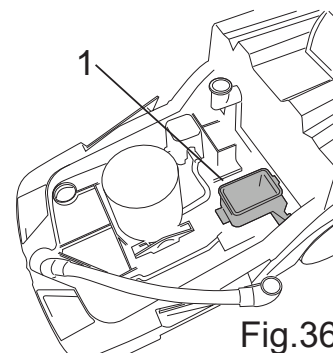


Fig.36



Fig.37

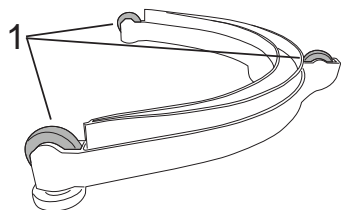
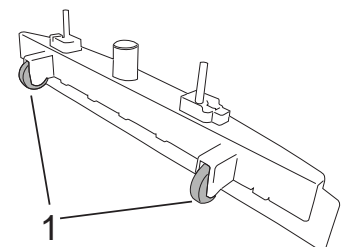


Fig.38



- Pliegue el mango perpendicular a la máquina.
- Gire la máquina hacia atrás apoyando el mango sobre el suelo.

Secador de suelo delantero:

- Desenganche el tubo de aspiración del secador de suelo (Fig. 39-Ref. 1).
- Desenrosque los volantes (Fig. 39-Ref. 2).
- Extraiga el secador de suelo de la máquina (Fig. 40-Ref. 1).
- Tire de los labios para extraer el grupo (Fig. 41).
- Desmonte el labio.
- Reinstale el labio, invirtiendo el canto en contacto con el suelo hasta que se desgasten los dos cantos, o monte un nuevo labio encastrándolo en los alojamientos del soporte del secador.
- Reinstale el secador de suelo siguiendo las indicaciones descritas anteriormente.

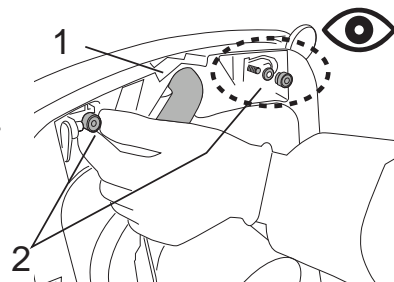


Fig.39

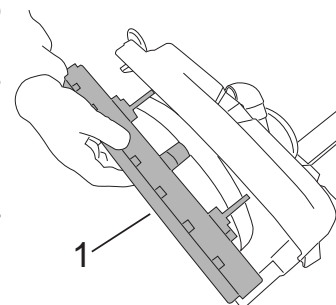


Fig.40

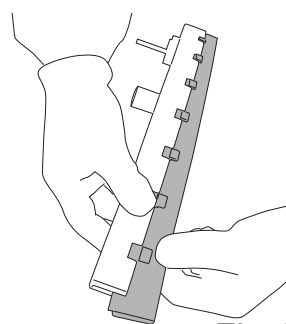


Fig.41

Secador de suelo trasero:

- Baje la palanca del secador de suelo.
- Desenganche el tubo de aspiración del secador de suelo (Fig. 42-Ref. 1).
- Desenrosque los volantes (Fig. 42-Ref. 2).
- Tire de los labios para extraer el grupo (Fig. 43-Ref. 1).
- Desmonte el labio (Fig. 44).
- Reinstale el labio, invirtiendo el canto en contacto con el pavimento hasta que se desgasten los dos cantos, o monte un nuevo labio encastrándolo en los alojamientos del soporte del secador.
- Reinstale el secador de suelo siguiendo las indicaciones descritas anteriormente.

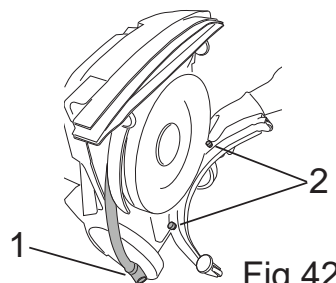


Fig.42

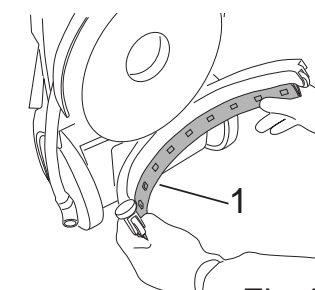


Fig.43

Sustitución del cepillo

En el cepillo hay cerdas más cortas de color rojo (Fig. 45). Cuando las cerdas de color negro llegan a la misma altura de las rojas se deben sustituir. Para el desenganche/enganche del cepillo consulte el apartado “Desenganche cepillo / disco de arrastre” e “Instalación cepillo / disco de arrastre”.

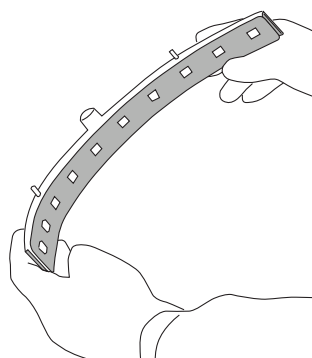
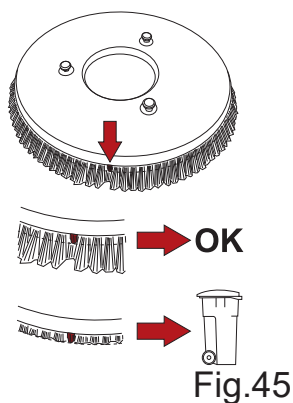


Fig.44

Controles periódicos

CONTROL	OPERACIONES DIARIAS	OPERACIONES SEMANALES	OPERACIONES MENSUALES
Limpieza del depósito de agua sucia	X		
Limpieza de los flotadores de aspiración		X	
Limpieza del filtro del depósito de agua/detergente		X	
Limpieza del filtro de aspiración		X	
Limpieza del tubo de aspiración del secador de suelo delantero	X		
Limpieza del tubo de aspiración del secador de suelo trasero	X		
Limpieza de la válvula parcializadora		X	
Limpieza de los labios del secador de suelo	X		
Control del desgaste de los labios del secador de suelo		X	
Control del desgaste del cepillo			X

INCONVENIENTES, CAUSAS Y SOLUCIONES

INCONVENIENTES	CAUSAS	SOLUCIONES
La máquina no funciona.	La batería está descargada.	Recargue la batería.
	El interruptor general no está accionado.	Pulse el interruptor general.
El cepillo no gira.	El botón del cepillo no está pulsado.	Pulse el botón del cepillo.
	La palanca del cepillo no está accionada.	Accione la palanca de mando del cepillo.
Al motor del cepillo le cuesta ponerse en marcha.	Se está trabajando con el cepillo seco sobre un suelo muy rugoso.	Aumente la cantidad de detergente.
La máquina no lava uniformemente.	El cepillo o el disco están desgastados.	Sustituya el cepillo.
La solución no sale.	El depósito de detergente está vacío	Llene el depósito de detergente.
	El filtro está sucio.	Limpie el filtro del depósito de agua/detergente.
	El tubo que lleva la solución al cepillo está atascado.	Elimine el atascamiento.
El motor de aspiración no funciona.	El botón de aspiración no está pulsado.	Pulse el botón de aspiración.

El secador de suelo no limpia o no aspira bien.	El canto de los labios de goma, que está en contacto con el suelo, está desgastado.	Sustituya el labio de goma.
	Se ha activado el flotador (depósito de agua sucia lleno).	Vacíe el depósito de agua sucia.
	El tubo de aspiración del secador de suelo está atascado.	Limpie el tubo.
	El tubo de aspiración está desconectado del secador de suelos o está averiado.	Conecte o repare el tubo.
	La válvula parcializadora está sucia.	Limpie la válvula parcializadora.
La batería no asegura la autonomía normal.	El cargador de batería no funciona.	Sustituya el cargador de batería.

ALARMAS

El LED rojo botón del cepillo, 1 destello rápido.	Error de sobrecorriente/cortocircuito del cepillo.	Apague todas las funciones de la máquina. Ponga en marcha de nuevo la máquina. Si el error vuelve a ocurrir, compruebe que el cepillo no esté funcionando en un pavimento muy áspero. Si el problema persiste contacte con el servicio de asistencia.
LED rojo botón del cepillo, 2 destellos rápidos.	Error de sobrecorriente/cortocircuito de la bomba de la solución.	Apague todas las funciones de la máquina. Ponga en marcha de nuevo la máquina. Si el problema persiste contacte con el servicio de asistencia.
LED rojo botón del aspirador, 1 destello rápido.	Error de sobrecorriente/cortocircuito en el circuito del aspirador.	Apague todas las funciones de la máquina. Ponga en marcha de nuevo la máquina. Si el problema persiste contacte con el servicio de asistencia.
El Led verde control de la carga de la batería destella.	Error tensión excesiva batería.	Compruebe la integridad del cargador de batería y el uso del cargador de batería suministrado de serie. Espere 10 minutos y vuelva a probar
Los Ledes de control de la carga de la batería destellan en secuencia.	Batería cargándose	Quite el conector de carga de la batería.
Los Ledes de control de la carga de la batería destellan al mismo tiempo.	Falta comunicación entre Tarjeta Potencia y Tarjeta Touch.	Problema de cableado o en las tarjetas. Póngase en contacto con con el servicio de asistencia.
El Led logo destella lento y doble "Tono de aviso del zumbador" al presionar la palanca de mando del cepillo.	Posición incorrecta de la máquina.	Ponga la máquina en posición horizontal.

PIEZAS DE REPUESTO RECOMENDADAS

Cód. pieza	PIEZAS SUJETAS A DESGASTE
SPPV02580	CEPILLO SUAVE, 28 CM, PPL, PARA FREGADORAS DE SUELOS [OPCIÓN]
SPPV02438	CEPILLO MEDIO, 28 CM, PPL, PARA FREGADORAS DE SUELOS [ESTÁNDAR]
SPPV02581	CEPILLO DURO, 28 CM, PPL, PARA FREGADORAS DE SUELOS [OPCIÓN]
SPPV02582	DISCO DE ARRASTRE, 28 CM
SPPV02583	PAD ABRASIVO, 28 CM, BLANCO, [PAQUETE DE 5 PADS]
SPPV02584	PAD ABRASIVO, 28 CM, ROJO, [PAQUETE DE 5 PADS]
KTRI06148	KIT LABIO, SECADOR DE SUELOS, 28 CM, LINATEX, DELANTERO [ESTÁNDAR]
KTRI06149	KIT LABIO, SECADOR DE SUELOS, 28 CM, LINATEX, TRASERO [ESTÁNDAR]
KTRI06150	KIT LABIO, SECADOR DE SUELOS, 28 CM, GOMA, DELANTERO [OPCIÓN]
KTRI06151	KIT LABIO, SECADOR DE SUELOS, 28 CM, GOMA, TRASERO [OPCIÓN]
KTRI06152	KIT LABIO, SECADOR DE SUELOS, 28 CM, POLIURETANO, DELANTERO [OPCIÓN]
KTRI06153	KIT LABIO, SECADOR DE SUELOS, 28 CM, POLIURETANO, TRASERO [OPCIÓN]
Cód. pieza	PIEZAS DE REPUESTO
KTRI06154	KIT SECADOR DE SUELOS, 28 CM, LINATEX, DELANTERO [ESTÁNDAR]
KTRI06155	KIT SECADOR DE SUELOS, 28 CM, LINATEX, TRASERO [ESTÁNDAR]
MECE00813	TARJETA ELECTRÓNICA PRINCIPAL, RV1
MECE00814	TARJETA DE ALIMENTACIÓN, 36 VCC
MECI00588	MICROINTERRUPTOR
MECI00681	INTERRUPTOR
MFVR00305	DISCO DE ARRASTRE
MOCC00477	MOTOR DEL CEPILLO, 36 V, 100 W
MOCC00481	MOTOR DE ASPIRACIÓN
MPVR12254	INTERRUPTOR DE ENCENDIDO
MPVR12348	FILTRO CS5, DEPÓSITO DE LA SOLUCIÓN
MPVR12484	FILTRO ENTRADA AIRE
GUGO00622	JUNTA DE LA TAPA DEL DEPÓSITO DE AGUA SUCIA
KTRI06106	ESCOBILLA PARA MOTOR CEPILLO
PPEL00140	BOMBA 24 VCC
RTRT00708	RUEDA Ø 200
TBFX01282	MANGUERA, SECADOR DE SUELOS TRASERO
TBFX01283	MANGUERA, SECADOR DE SUELOS DELANTERO
KTRI06057	BATERÍA, IONES DE LITIO, 36 V, 5,5 AH [ESTÁNDAR]
KTRI06058	BATERÍA, IONES DE LITIO, 36 V, 8,25 AH [OPCIÓN]
BACA00263	CARGADOR DE BATERÍAS, 36 VCC
MECB02131	CABLE DE ALIMENTACIÓN, CARGADOR DE BATERÍAS, 120 V [NA]

MECB02130	CABLE DE ALIMENTACIÓN, CARGADOR DE BATERÍAS, 230 V [CE]
MECB02135	CABLE DE ALIMENTACIÓN, CARGADOR DE BATERÍAS, 230 V [UK]
MECB02133	CABLE DE ALIMENTACIÓN, CARGADOR DE BATERÍAS, 240 V [CN/AUS]
MECB02134	CABLE DE ALIMENTACIÓN, CARGADOR DE BATERÍAS, 220 V [BRZ]
KTRI06048	TAPA, DEPÓSITO DE AGUA SUCIA [CS5]
KTRI06097	DEPÓSITO DE AGUA SUCIA
KTRI06104	DEPÓSITO DE LA SOLUCIÓN
KTRI06105	KIT VÁLVULA DE ASPIRACIÓN

(Traduction du mode d'emploi original)

TABLE DES MATIERES

CONSIGNES DE SÉCURITÉ IMPORTANTES.....	2
LÉGENDE DES SYMBOLES.....	6
CARACTÉRISTIQUES TECHNIQUES.....	7
DIMENSIONS MACHINE.....	8
INFORMATIONS GÉNÉRALES.....	9
But du manuel.....	9
Identification de la machine.....	9
Documentation / Équipement joint à la machine.....	9
INFORMATIONS TECHNIQUES.....	10
Description générale.....	10
Légende.....	10
Accessoires.....	11
MANUTENTION ET INSTALLATION.....	11
Levage et transport de la machine emballée.....	11
Contrôles à la livraison.....	11
Déballage.....	11
Réglage position de stationnement.....	12
Levage et transport de la machine.....	12
Transport sur roues.....	12
Régler l'inclinaison du guidon.....	13
Installation brosse/plateau d'entraînement.....	13
Décrochage brosse/plateau d'entraînement.....	13
Batterie : préparation / installation / recharge.....	13
Batterie : retrait.....	14
Batterie : élimination.....	14
GUIDE PRATIQUE POUR L'OPÉRATEUR.....	15
Préparation de la machine pour le travail.....	15
Commandes.....	16
Travail.....	17
Retirer le couvercle du réservoir de récupération.....	18
Installation couvercle du réservoir de récupération.....	18
Remplissage du réservoir d'eau/détergent.....	18
Vidange du réservoir d'eau/détergent.....	18
Vidange du réservoir de récupération.....	19
Réglage traction.....	19
PÉRIODES D'INACTIVITÉ.....	20
INSTRUCTIONS POUR L'ENTRETIEN.....	20
Entretien - Règles générales.....	20
Nettoyage flotteur aspiration.....	21
Nettoyage du filtre réservoir d'eau/détergent.....	21
Nettoyage filtre aspiration.....	21
Nettoyage tuyau aspiration suceur avant.....	21
Nettoyage tuyau aspiration suceur avant.....	21
Nettoyage soupape d'étranglement.....	22
Nettoyage suceur.....	22
Réglage du suceur.....	22
Remplacement de la brosse.....	23
PROBLÈMES, CAUSES ET REMÈDES.....	24
ALARMES.....	25
PIÈCES DE RECHANGE CONSEILLÉES.....	26

CONSIGNES DE SÉCURITÉ **IMPORTANTES**

- Lire attentivement le mode d'emploi avant d'utiliser la machine pour la première fois.
- Conserver le mode d'emploi. Il fait partie intégrante de la machine et doit être remis avec la machine en cas de vente de celle-ci.

AVERTISSEMENTS

La machine présente un niveau de sécurité élevé, toutefois la sécurité de la machine ne peut être garantie que si on respecte toutes les instructions données dans ce manuel.

Utilisation conforme

- Cette machine n'est pas destinée à être utilisée par des personnes (y compris les enfants) ayant des capacités physiques, psychiques ou sensorielles réduites ou dénuées d'expérience et de connaissance.
- Ne pas permettre qu'elle soit utilisée comme un jouet.
- Les enfants doivent être surveillés pour s'assurer qu'ils ne jouent pas avec l'appareil.
- Le nettoyage et l'entretien de la machine doit être effectué exclusivement par des adultes, ayant reçu une formation spécifique et connaissant les risques associés .
- La plage de température prévue pour l'utilisation de la machine est comprise entre +4 °C/39,2 °F et +40 °C/104 °F par contre, quand la machine n'est pas utilisée, cette plage de température va de +0 °C/32 °F à +50 °C/122 °F.
- La plage d'humidité prévue pour la machine est comprise entre 30% et 95%, quelles que soient les conditions.
- La machine doit être utilisée à une altitude inférieure à 2 000 m.
- Cette machine est destinée à une utilisation commerciale, par exemple dans des hôtels, écoles, hôpitaux, usines, magasins,

bureaux et centres commerciaux.

- La machine est destinée uniquement à une utilisation en intérieur.
- La machine doit être stockée uniquement dans un local fermé.
- Ne pas utiliser la machine pour nettoyer des surfaces présentant une pente supérieure à 2%.

Risque de décharge électrique

- Éteindre la machine et débrancher la batterie avant toute intervention de nettoyage et d'entretien.
- Si la machine ne fonctionne pas correctement, si elle a reçu un coup violent, si elle est tombée, si elle est endommagée, si elle a été laissée à l'extérieur ou si elle est tombée dans l'eau, ne pas l'utiliser et s'adresser à un professionnel spécialisé agréé par Tennant ou à un centre assistance Tennant.
- Ne pas laver la machine à l'eau ou avec un nettoyeur haute pression.
- Ne pas réparer la machine soi-même, s'adresser à un professionnel spécialisé agréé par Tennant ou un centre d'assistance Tennant.

Risque d'incendie

- Ne pas utiliser pour aspirer des liquides inflammables ou combustibles, comme l'essence et ne pas utiliser dans des lieux où de tels liquides peuvent être présents.
- Ne recueillir aucun objet brûlant ou fumant, comme les cigarettes, les allumettes ou les cendres chaudes.
- Ne pas placer la machine au-dessus ou près d'une cuisinière ou toute autre surface chaude, la batterie pourrait prendre feu ou exploser.

Risque de lésions

- Faire en sorte que les cheveux, les vêtements, les doigts ou toute autre partie du corps ne puissent être happés par les ouvertures et les parties mobiles.
- Éviter tout contact avec les parties en mouvement de la machine (brosses et plateaux d'entraînement).
- Faire particulièrement attention durant le nettoyage des escaliers.

- Ne pas utiliser la machine si les parties en plastique sont endommagés à la suite d'une chute ou d'un choc, se protéger contre les parties cassées et aiguisées.
- Nous recommandons de conserver les détergents dans un endroit non accessible aux enfants. En cas de contact avec les yeux ou avec la peau, rincer immédiatement et abondamment à l'eau. En cas d'ingestion, consulter immédiatement un médecin.
- Respecter scrupuleusement les règles de sécurité du lieu d'intervention en ce qui concerne les sols mouillés.
- Si nécessaire, placer des panneaux de sécurité sur le sol mouillé lors de l'utilisation de la machine.

Note, risque de dommages à cause d'une utilisation non conforme












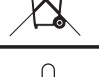
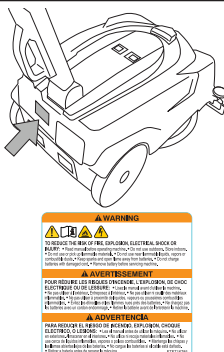

- Utiliser uniquement des pièces détachées originales du fabricant.
- Utilisez uniquement des détergents de nettoyage approuvés dans le commerce. Les dommages causés à la machine par une mauvaise utilisation du détergent annuleront la garantie du fabricant.
- N'insérer aucun objet dans les fentes d'aération. Ne pas utiliser avec les ouvertures bouchées ; éliminer la poussière, les résidus, les cheveux et tout autre objet pouvant réduire le flux d'air.

Chargeur de batterie et batterie

- Chargeur de batterie : contrôler régulièrement le câble du chargeur de batterie pour vérifier qu'il n'est pas endommagé ;
- S'assurer que les prises de courant pour l'alimentation du chargeur de batterie soient reliées à un réseau de terre et protégées par des interrupteurs magnétothermiques à 2 pôles avec différentiel :
 - courant nominal 10-16 A
 - $I\Delta n$ courant différentiel : 0.03A
 - I_{cn} pouvoir de coupure : 6000 A
 - intervention différentielle de type AC
- Utiliser exclusivement le chargeur de batterie fourni par le

- fabricant (référence BACA00263) pour recharger la batterie.
- NE PAS tirer sur le câble du chargeur de batterie pour le débrancher de la prise, débrancher la fiche, pas le câble.
 - NE PAS manipuler le câble du chargeur de batterie avec les mains mouillées.
 - NE PAS utiliser de rallonges avec le chargeur de batterie.
 - Utiliser exclusivement les batteries fournies par le constructeur (référence BAAC00196) ; tout autre type de batterie pourrait exploser et causer des dommages corporels et matériels.
 - Éloigner les étincelles et les flammes de la batterie.
 - NE PAS fumer à proximité de la batterie ou du chargeur de batterie.
 - NE PAS charger la batterie à l'extérieur.
 - NE PAS exposer la batterie à des températures supérieures à 100 °C/212 °F.
 - Charger la batterie à une température comprise entre +4 °C/39,2 °F et +40 °C/104 °F.
 - NE JAMAIS laisser la batterie dans des endroits fermés, comme dans des voitures par temps chaud, où les températures peuvent être beaucoup plus élevées que la température extérieure.
 - NE PAS tenter de réparer ou de modifier la batterie ou le chargeur de batterie ; le remplacer s'il est défectueux.
 - NE PAS court-circuiter la batterie ou les bornes du chargeur de batterie avec des objets conducteurs tels que des trombones, la batterie peut s'enflammer ou exploser.
 - NE PAS écraser, laisser tomber, incinérer ou endommager la batterie.
 - NE JAMAIS utiliser une batterie endommagée.
 - NE PAS retirer la batterie avec la machine allumée, risque de démarrage involontaire de la machine et risque de fluctuations de tension sur l'électronique.
 - Éliminer la batterie conformément aux normes environnementales locales en vigueur. Ne pas jeter avec les ordures ménagères.

LÉGENDE DES SYMBOLES

	PENTE FRANCHISSABLE
	MANUEL DE L'OPÉRATEUR, INSTRUCTIONS POUR LE FONCTIONNEMENT
	LIRE LE MANUEL AVANT D'UTILISER LA MACHINE
	SYMBOLE DE COURANT CONTINU
	APPAREIL DE CLASSE III. UN APPAREIL EST CONSIDÉRÉ DE CLASSE III QUAND LA SÉCURITÉ REPOSE SUR L'ALIMENTATION EN TRÈS BASSE TENSION DE SÉCURITÉ SELV (SAFETY EXTRA LOW VOLTAGE). DANS LA PRATIQUE UN TEL APPAREIL EST ALIMENTÉ PAR UNE BATTERIE OU UN TRANSFORMATEUR SELV.
	SYMBOLE DE MISE EN MARCHE - ARRET BROSSÉ
	SYMBOLE MISE EN MARCHE -ARRET - REGLAGE DEBIT SOLUTION
	SYMBOLE MISE EN MARCHE - ARRET ASPIRATION
	SYMBOLE FONCTIONNEMENT "ECO"
	SYMBOLE MISE EN MARCHE - ARRET MACHINE
	DÉCHET SPÉCIAL. NE PAS ÉLIMINER AVEC LES DÉCHETS MÉNAGERS.
	TEMPÉRATURE MINIMUM ET MAXIMUM DU LIQUIDE CONTENU DANS LE RÉSERVOIR
	ÉTIQUETTES DE SÉCURITÉ. L'ÉTIQUETTE DE SÉCURITÉ APPARAÎT SUR LA MACHINE DANS LA POSITION INDICUÉE. REMPLACER L'ÉTIQUETTE SI ELLE EST MANQUANTE OU SI ELLE EST ENDOMMAGÉE OU ILLISIBLE.
	ÉTIQUETTE RECYCLAGE BATTERIE.

CARACTÉRISTIQUES TECHNIQUES

Largeur de travail	mm	280
	pouce	11.02
Largeur suceur	mm	380
	pouce	14.96
Productivité (horaire) Valeur théorique max.	m ² /h	976
	ft ² /h	10505
Productivité (horaire) Surface estimée	m ² /h	639
	ft ² /h	6875
Nombre de brosses	nbre	1
Diamètre brosse	mm	280
	pouce	11.02
Pression maximale brosse	g/cm ²	30
	kPa	3.4
Vitesse rotation brosse	g/1° tr/min	160
Puissance nominale moteur brosse	W	100
	CV	0.134
Puissance nominale moteur aspiration	W	160
	CV	0.21
Puissance totale de la machine au travail P _M	W	248
	CV	0.33
Vitesse maximale	Km/h	3.5
	mph	2.17
Réservoir solution	L	5
	gal	1.32
Réservoir récupération	L	5
	gal	1.32
Diamètre roues arrière	mm	200
	pouce	7.87
Pente franchissable	%	2
Poids brut (GVW)	Kg	26
	lbs	57.32
Poids de transport sans batterie	Kg	18.3
	lbs	40.34
Poids de transport avec batterie	Kg	19.8 / 20.2
	lbs	43.65 / 44.53
Nombre de batteries	nbre	1
Tension machine/batterie V _M	V	36

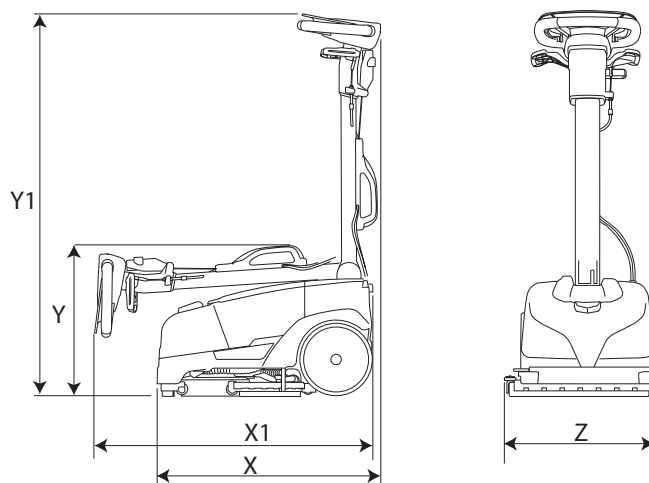
Capacité batterie (2 versions)	Ah	5.5 / 8.25
Tension d'alimentation chargeur de batterie, V	V	42
Intensité max. chargeur de batterie, I	A	4
Intensité chargeur de batterie (chargeur de batterie fourni)	A	2
Dimension machine (X, Y, Z)	mm	X= 615, X1= 770, Y= 399, Y1= 1049, Z= 412.5
	pouce	X= 24.21, X1= 30.31, Y= 15.7, Y1= 41.29, Z= 16.24
Dimension compartiment batterie	mm	Logement batterie personnalisé
Dimensions d'emballage	mm	800 x 400 x 470
	pouce	31.49 x 15.74 x 18.5
Pression sonore - Annexe DD (Émission de bruit acoustique) EN 60335-2-72: 2012	LpA (dBA)	63
Incertitude de la pression sonore	K (dBA)	3
Vibrations, main- CEI 60335-2-72	ahv m/s ²	<=2,5
Température maximale eau et détergent	°C	40
	°F	104
Indice de protection	IP	IPX3

Poids total en charge (GVW) : poids maximum autorisé en charge de la machine prête à l'utilisation et de sa charge utile. Le poids brut de la machine comprend le réservoir d'eau détergent plein d'eau propre, le réservoir de récupération vide, les batteries les plus grandes conseillées, tous les accessoires tels que câbles, tubes, détergents et brosses.

V, I : valeurs pour la recharge/alimentation

V_M, P_M : machine au travail (toutes les fonctions actives)

DIMENSIONS MACHINE



X-Y-Z: Voir tableau « **CARACTÉRISTIQUES TECHNIQUES** ».

INFORMATIONS GÉNÉRALES

But du manuel

Ce manuel a été rédigé par le Constructeur et fait partie intégrante de la [machine](#)¹. Il définit l'usage pour lequel la machine a été conçue et il contient toutes les informations nécessaires aux [opérateurs](#)².

Outre ce manuel qui contient les informations nécessaires aux utilisateurs, d'autres notices ont été rédigées plus spécifiquement à destination des techniciens chargés de la [maintenance](#)³.

Les éventuelles indications droite ou gauche, sens des aiguilles d'une montre ou sens inverse des aiguilles d'une montre présentes dans ce livret se réfèrent toujours à la direction de marche de la machine.

Le respect des instructions données dans cette notice garantit la sécurité des conditions de travail, une réduction des frais d'exploitation, la qualité des résultats ainsi qu'une longévité accrue de la machine. Le non-respect de ces prescriptions peut entraîner des risques pour les personnes et provoquer des dommages à la machine, à la surface lavée et à l'environnement.

Pour une recherche plus rapide des sujets traités, consulter la table des matières au début du manuel.

Certaines parties de cette notice requièrent une attention particulière, elles sont mises en évidence en caractères gras et sont précédées par des symboles illustrés et définis ci-après.

! DANGER

Ce symbole attire l'attention sur les dangers pouvant entraîner des risques pour la santé, voire la mort.

! ATTENTION

Ce symbole attire l'attention sur les dangers pouvant entraîner des dommages à la machine ou à l'environnement dans lequel elle évolue, ou des pertes sur le plan économique.

! INFORMATION

Indications très importantes

Le Constructeur mène une politique permanente en matière de développement et de modernisation de ses produits, qui peut l'amener à apporter des modifications sans préavis.

Même si votre machine est différente des illustrations contenues dans ce document, la sécurité et les informations concernant cette machine sont garanties.

Identification de la machine

La plaque machine indique:

- Modèle.
- Tension d'alimentation.
- Courant nominal absorbé.
- Numéro de série (matricule).
- Année de fabrication.
- Indice de protection IP.
- Poids brut
- Pente maximale.
- Identification du constructeur.

Documentation / Équipement joint à la machine

- manuel d'utilisation;
- Guide rapide d'utilisation ;

¹ La définition "machine" remplace la dénomination commerciale "CT5" à laquelle se rapporte ce manuel.

² Ce sont les personnes qui utilisent la machine mais qui n'effectuent pas les interventions requérant une compétence technique précise.

³ Ce sont les personnes possédant l'expérience, la formation technique et de bonnes connaissances des normes et réglementations, leur permettant de reconnaître et éviter tout danger lors de la manutention, l'installation, l'utilisation et l'entretien de la machine.

INFORMATIONS TECHNIQUES

Description générale

La machine en question est une autolaveuse qui peut être utilisée dans un milieu aussi bien domestique qu'industriel pour balayer, laver et sécher des sols plats, horizontaux, lisses et peu rugueux, uniformes et libres de tout encombrement.

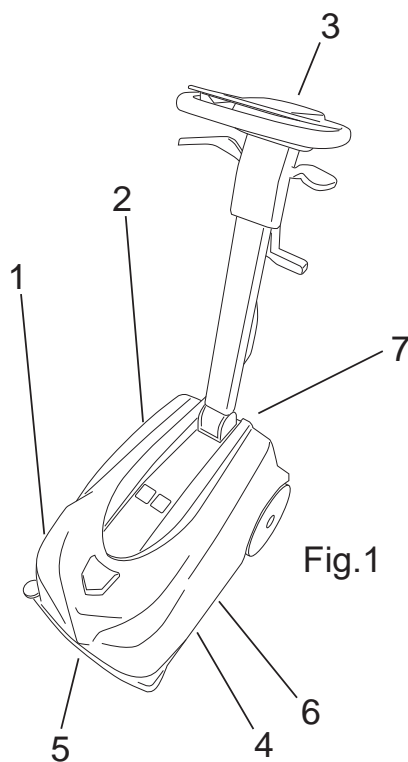
L'autolaveuse répand sur le sol une solution d'eau et de détergent opportunément dosée puis balaie pour enlever la saleté. En choisissant avec attention le détergent pour le nettoyage et les brosses (ou disques abrasifs) parmi la large gamme d'accessoires disponibles, il est possible de nettoyer tous les sols et d'éliminer tous les types de saleté.

Un système d'aspiration des liquides intégré à la machine permet de sécher le sol qui vient d'être lavé. Le séchage s'effectue à travers la dépression du réservoir de récupération générée par le moteur d'aspiration. Les suceurs, raccordés au réservoir, permettent de recueillir l'eau sale aussi bien en marche avant qu'en marche arrière.

Légende

Les principales pièces de la machine sont :

- Le réservoir eau/détergent (Fig.1-Réf.1): sert à contenir et transporter le mélange d'eau propre et du produit nécessaire au nettoyage.
- Le réservoir de récupération (Fig.1-Réf.2): sert à récupérer l'eau sale aspirée sur le sol pendant le lavage;
- Tableau de commandes (Fig.1-Réf.3).
- Groupe tête (fig. A, Rep.4): l'élément principal est composé de la brosse .qui distribue la solution détergente sur le sol et enlève la saleté;
- Suceur avant (Fig.1-Rep.5), nettoie et sèche le sol quand l'opérateur tire la machine vers lui.
- Suceur arrière (Fig.1-Rep.6), nettoie et sèche le sol quand la machine avance.
- Batterie (Fig.1- Rep.7)



Accessoires

- Brosses : Soft (référence SPPV02580) ; Medium [Standard] (référence SPPV02438) ; Hard (référence SPPV02581) .
- Pad Holder (référence SPPV02582).
- Batterie standard (référence BAAC00196).
- Chargeur de batterie (référence BACA00263).

MANUTENTION ET INSTALLATION

Levage et transport de la machine emballée

La machine est livrée emballée dans un carton.

Manipuler avec précautions de façon à éviter les chocs et tout renversement.

Contrôles à la livraison

Au moment de la livraison, vérifier soigneusement que l'emballage et la machine sont intacts.

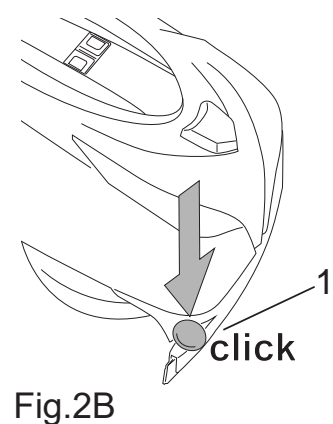
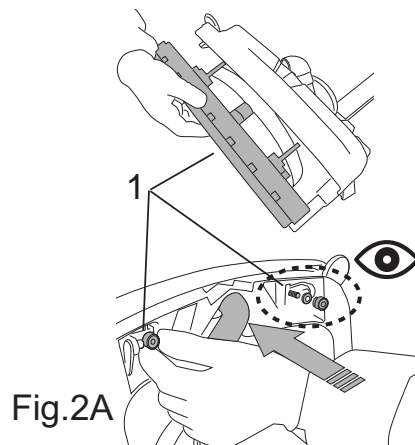
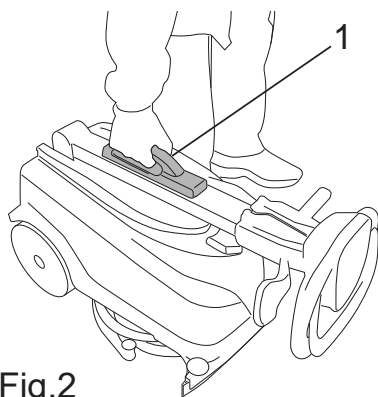
Déballage

Déballer la machine en procédant de la manière suivante :

- Couper et éliminer les feuillards plastiques à l'aide de ciseaux ou de cisailles ;
- Ouvrir le carton ;
- Sortir de l'emballage :
 - manuel d'instructions pour l'utilisation et la maintenance,
 - carte de garantie;
 - guide rapide d'utilisation ;
 - roue pare-chocs ;
 - suceur avant ;
 - brosse ;
 - chargeur de batterie.
- Retirer la machine de l'emballage en la soulevant à l'aide du guidon (Fig.2 - Rep. 1) la poser par terre.
- Replier le guidon perpendiculairement à la machine (voir paragraphe "Réglage inclinaison guidon").
- Retirer le réservoir de récupération et le réservoir détergent et les poser par terre (voir paragraphe "Vidange réservoir eau/détergent" et "Vidange réservoir de récupération").
- Basculer la machine vers l'arrière et la mettre en appui sur le guidon;
- Couper les bandelettes de fixation qui se trouvent sur le suceur arrière.
- Installer le suceur avant (Fig. 2A - Rep. 1).
- Installer la roue pare-chocs (Fig. 2B - Rep. 1).

! ATTENTION

Conserver tous les éléments de l'emballage car ils permettent d'assurer la sécurité de la machine et du pack batterie en cas de changement de site ou lors de l'envoi la machine aux ateliers de réparation agréés.



Réglage position de stationnement

! ATTENTION

Avant de mettre la machine en position de stationnement vider le réservoir eau détergent et le réservoir de récupération (voir paragraphes "Vidange du réservoir eau/détergent" et "Vidange réservoir de récupération").

! ATTENTION

La machine doit toujours être rangée en position verticale, si elle est laissée en position de travail (horizontale) les poils de la brosse peuvent se déformer ainsi que les lames du suceur.

- Éteindre la machine à l'aide de l'interrupteur général (Fig. 3 - Rep.1).
- Relever le suceur à l'aide du levier (Fig. 3- Rep. 2).
- Replier complètement le guidon vers la tête (voir paragraphe "Réglage inclinaison guidon").
- Mettre la machine en position verticale (Fig. 4).
- À l'aide d'un chiffon essuyer le suceur avant, arrière et la brosse.

Levage et transport de la machine

! DANGER

Risque de lésions si le guidon n'est pas correctement bloqué.

! ATTENTION

Vider le réservoir eau détergent et le réservoir de récupération (voir paragraphes "Vidange du réservoir eau/détergent" et "Vidange réservoir de récupération").

- Éteindre la machine à l'aide de l'interrupteur général (Fig. 6 - Rep. 1).
- Relever le suceur à l'aide du levier (Fig. 5-Rep.1).
- Replier complètement le guidon vers la tête.
- Soulever la machine à l'aide de la poignée sur le guidon (Fig.6 - Rep.2).

Transport sur roues

Il est possible de déplacer la machine sur les roues et de la guider dans toutes les directions.

- Incliner le guidon de façon à ce qu'il soit perpendiculaire à la machine.

Basculer la machine vers l'arrière (Fig.7) déplacer la machine dans la direction voulue.

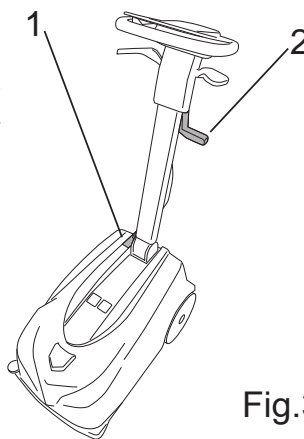


Fig.3

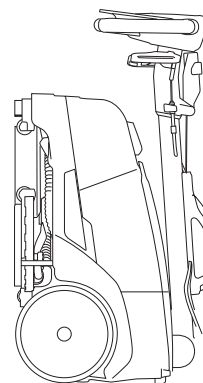


Fig.4

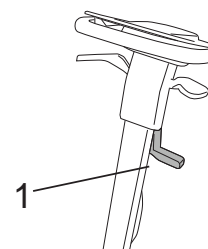


Fig.5

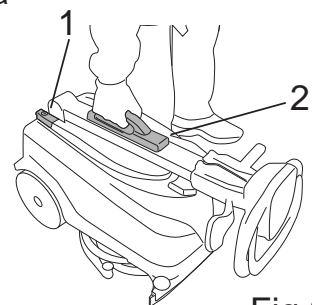


Fig.6

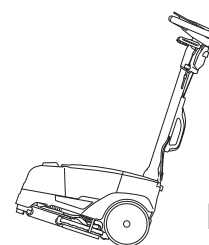


Fig.7

Régler l'inclinaison du guidon.

Tirer le levier de réglage (Fig.9-Rep.1) puis incliner le guidon dans la position voulue; quand on relâche le levier le guidon reste bloqué dans cette position.

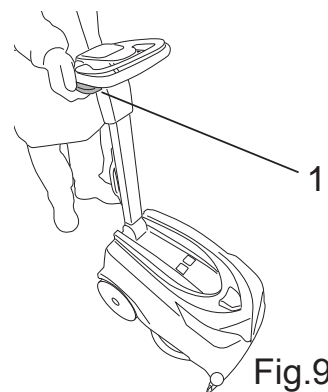


Fig.9

Installation brosse/plateau d'entraînement

- Allumer la machine en appuyant sur l'interrupteur général (Fig.10-Rep.1).
- Appuyer sur le bouton brosse (Fig. 11 - Rep.1)
- Poser la brosse sur le sol devant la machine.
- À l'aide du guidon soulever la partie avant de la machine, mettre le capot brosse de la machine sur la brosse puis abaisser la machine (Fig,12).
- Actionner à plusieurs reprises le levier de commande brosse (Fig.11, Rep. 2): la brosse s'enclenche automatiquement sur le moyeu. Si elle ne s'enclenche pas, appuyer de nouveau sur la poignée, centrer de nouveau la brosse et actionner le levier de commande brosse comme décrit précédemment.

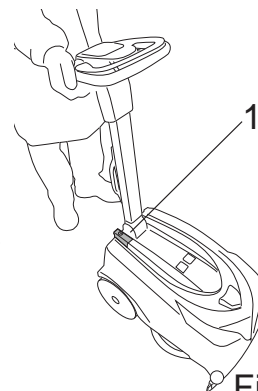


Fig.10

Décrochage brosse/plateau d'entraînement

- Allumer la machine en appuyant sur l'interrupteur général (Fig.10-Rep.1).
- À l'aide du guidon soulever la partie avant de la machine (Fig.12).
- Appuyer sur le bouton brosse (Fig. 11-Rep.1) pendant 3 secondes, la brosse se décroche automatiquement.

Batterie : préparation / installation / recharge

! DANGER

- **Utiliser exclusivement les batteries fournies par le constructeur (référence BAAC00196) ; tout autre type de batterie pourrait exploser et causer des dommages corporels et matériels.**
- **Éloigner les étincelles et les flammes de la batterie.**
- **NE PAS fumer à proximité de la batterie ou du chargeur de batterie.**
- **NE PAS charger la batterie à l'extérieur.**
- **NE PAS exposer la batterie à des températures supérieures à 100 °C/212 °F.**
- **Charger la batterie à une température comprise entre +4 °C/39,2 °F et +40 °C/104 °F.**
- **NE JAMAIS laisser la batterie dans des endroits fermés, comme dans des voitures par temps chaud, où les températures peuvent être beaucoup plus élevées que la température extérieure.**
- **NE PAS tenter de réparer ou de modifier la batterie ou le chargeur de batterie ; contacter Tennant pour tout problème.**
- **NE PAS court-circuiter la batterie ou les bornes du chargeur de batterie avec des objets conducteurs tels que des trombones, la batterie peut s'enflammer ou exploser.**
- **NE PAS écraser, laisser tomber, incinérer ou endommager la batterie.**
- **NE JAMAIS utiliser une batterie endommagée.**

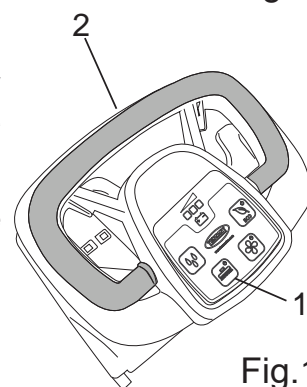


Fig.11

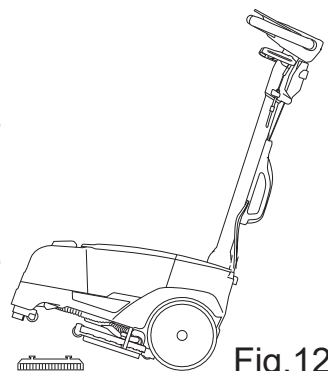


Fig.12

! ATTENTION

Utiliser exclusivement le chargeur de batterie fourni par le fabricant (référence BACA00263) pour recharger la batterie.

La batterie est scellée et dans des conditions normales sa sécurité est assurée: dans le cas improbable d'une fuite de liquide de la batterie ne pas toucher le liquide et prendre les précautions suivantes :

- Le contact avec la peau peut causer des irritations, laver à l'eau et au savon.
- L'inhalation peut causer une irritation des voies respiratoires, sortir à l'air frais et consulter un médecin.
- Le contact avec les yeux peut provoquer une irritation, laver immédiatement les yeux à l'eau pendant au moins 15 minutes et consulter un médecin.

La batterie est normalement fournie chargée et prête à l'emploi; il convient toutefois d'effectuer une charge avant d'utiliser la machine; pour cela suivre la procédure suivante :

- Insérer la fiche jack du chargeur de batterie dans la prise placée sur la machine (Fig. 13).
- Brancher le chargeur de batterie à la prise de courant
- Attendre la fin du cycle de recharge, la led sur le chargeur de batterie s'allume en vert.
- Débrancher le chargeur de batterie de la prise de courant et de la batterie.

Batterie : retrait

! DANGER

Lors du retrait de la batterie s'éloigner des flammes nues, des sources d'ignition, ne pas court-circuiter les pôles de la batterie, ne pas provoquer d'étincelles et ne pas fumer.

! DANGER

La batterie doit être enlevée uniquement lorsque la machine est éteinte.

Déverrouiller les deux ergots coulissants, retirer la batterie (Fig. 13A - Rep. 1).

Batterie : élimination

Éliminer conformément aux normes environnementales locales en vigueur. Ne pas jeter avec les ordures ménagères.

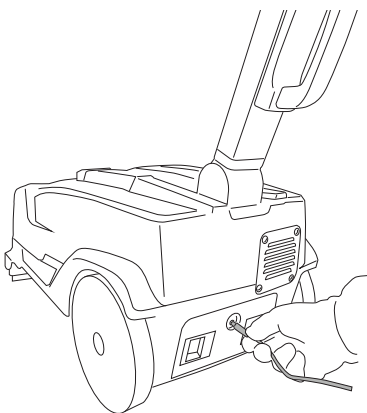


Fig.13

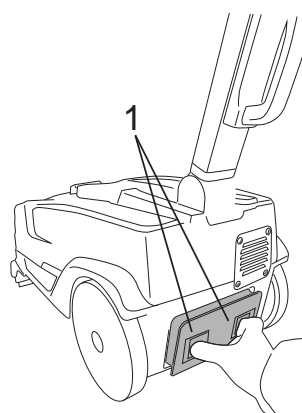


Fig.13A

GUIDE PRATIQUE POUR L'OPÉRATEUR

! INFORMATION

Si on utilise la machine pour la première fois, il est conseillé d'effectuer une brève période d'essai sur une vaste surface sans obstacles afin d'acquérir l'habileté nécessaire.

! ATTENTION

Pour ne pas endommager la surface à nettoyer, les brosses ne doivent pas rester en rotation lorsque la machine est arrêtée.

! ATTENTION

Diluer toujours les détergents selon les indications du fournisseur. Ne pas utiliser d'hypochlorite de sodium (eau de javel) ou d'autres oxydants, surtout en concentrations élevées. Ne pas utiliser de solvants ou hydrocarbures. La température de l'eau et du détergent ne doit pas être supérieure à la température maximale indiquée dans les « Caractéristiques techniques ». En outre, eau et détergent ne doivent pas contenir de sable et/ou d'impuretés.

! INFORMATION

La machine a été conçue pour être utilisée avec des détergents non moussants et biodégradables, spécifiques pour autolaveuses.

! ATTENTION

Utilisez uniquement des détergents de nettoyage approuvés dans le commerce. Les dommages causés à la machine par une mauvaise utilisation du détergent annuleront la garantie du fabricant.

! INFORMATION

Utiliser exclusivement des détergents adaptés au sol à nettoyer et à la saleté à éliminer. Suivre les normes de sécurité relatives à l'utilisation des détergents indiquées dans le chapitre « Consignes de sécurité importantes ».

! DANGER

Avant de commencer le travail, revêtir combinaison, chaussures antidérapantes, gants et tout autre équipement de protection conseillé par le fournisseur du détergent employé ou exigé par le milieu dans lequel on travaille.

Préparation de la machine pour le travail

Effectuer les opérations suivantes avant de commencer à travailler:

- Contrôler à l'aide des témoins de charge que la batterie est complètement chargée, si ce n'est pas le cas la recharger (voir paragraphe "Batterie, préparation / installation / charge")
- S'assurer que le réservoir de récupération est vide ; si ce n'est pas le cas, le vider (voir paragraphe « Vidange du réservoir de récupération »).
- S'assurer que le réservoir de solution détergente est plein, si ce n'est pas le cas le remplir (voir le paragraphe "Remplissage réservoir eau/détergent").
- Régler l'inclinaison du guidon (voir paragraphe "Régler l'inclinaison du guidon").
- Installer la brosse (voir paragraphe "Installation brosse / plateau d'entraînement").

Commandes

Les commandes et les témoins de la machine sont:

- Interrupteur général (Fig. 14 - Rep 1): active et désactive l'alimentation électrique de toutes les fonctions de la machine.
- Témoin de charge de la batterie (Fig. 15, Rep. 1) : constitué de 3 leds de couleur rouge, jaune et verte qui indiquent le niveau de charge de la batterie. Les situations possibles sont:
 - batterie à 100% : led rouge, jaune et verte allumées.
 - batterie à 30% : led rouge et jaune allumées.
 - batterie à 10% : led rouge allumée.
 - batterie à 5% : led rouge clignotante, batterie complètement déchargée, au bout de quelques secondes le moteur brosse et le moteur aspiration s'éteignent.
- Bouton brosse (Fig. 15 - Rep 1) : active ("led allumée") et désactive ("led éteinte") la fonction "Brosse", la brosse ne se met en marche que lorsqu'on actionne le "Lever de commande brosse" (Fig. 14 - Rep 2).

! INFORMATION

L'appui sur le bouton brosse active également, et automatiquement, les fonctions d'aspiration et d'écoulement solution, ces activations peuvent être ensuite modifiées en appuyant sur les boutons correspondants.

- Bouton aspiration (Fig. 15 - Rep 3) : met en marche ("led allumée") et arrête ("led éteinte") le moteur d'aspiration, qui permet de sécher le sol. Le moteur se met en marche uniquement lorsqu'on actionne le "Lever commande brosse".
- Bouton de débit de solution (Fig. 15 - Rep. 5) : pour activer, désactiver ou modifier la distribution du flux de solution, procéder comme suit :
 - appuyer une fois sur le bouton de débit de solution, les trois gouttes seront allumées, le débit est maximal, une deuxième pression sur le bouton diminue le débit, il y aura deux gouttes allumées ; en répétant la même procédure, il est possible de réduire davantage la distribution jusqu'à ce que l'alimentation soit interrompue, aucune goutte ne s'allume. La solution ne s'écoule que lorsque la brosse est en marche.
- Bouton ECO (Fig. 15 - Rep. 4) : active ("led allumée") ou désactive ("led éteinte") le fonctionnement ECO.

! INFORMATION

Fonctionnement ECO : la puissance du moteur brosse et du moteur aspiration est automatiquement réduite, l'écoulement de solution est réglé sur 1.

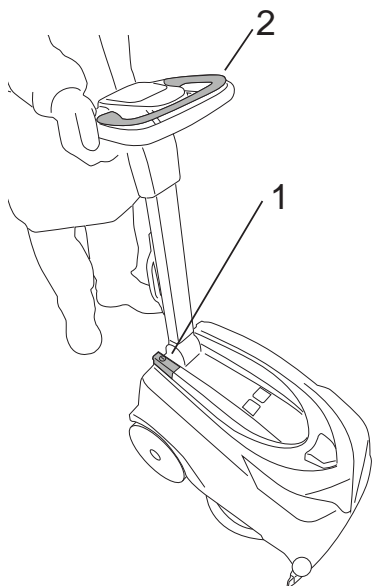


Fig.14

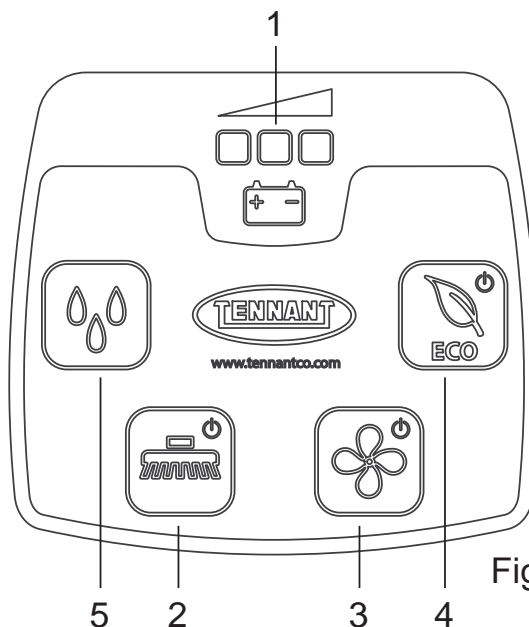


Fig.15

Travail

- Appuyer sur l'interrupteur général (Fig.16-Réf.1).
- Appuyer sur le bouton brosse ou le bouton ECO (Fig. 17 - Rep. 1) l'aspiration et l'écoulement de la solution sont activés ainsi que la brosse.
- Abaisser le suceur à l'aide du levier (Fig. 16- Rep. 2).
- Actionner le levier de commande brosse (Fig. 16 - Rep. 3).
- Commencer le travail.

! INFORMATION

Cette machine peut sécher le sol aussi bien en marche avant qu'en marche arrière.

Pour actionner le séchage en marche arrière tirer le levier (Fig. 18 - Rep. 1).

- Vérifier pendant le travail la qualité du lavage et régler l'écoulement de la solution à l'aide du bouton écoulement solution (Fig. 17 - Rep. 3).

! INFORMATION

Contrôler régulièrement que la solution détergente arrive bien jusqu'à la brosse et remplir le réservoir lorsqu'il est vide;

! ATTENTION

Si pendant le travail la led rouge du témoin de charge de la batterie commence à clignoter cela signifie que la batterie est presque déchargée, au bout de quelques secondes le fonctionnement de la brosse et de l'aspiration s'arrête: recharger la batterie (voir paragraphe "Batterie : préparation / installation / recharge").

Si la saleté présente sur le sol est particulièrement tenace, il est possible d'effectuer un pré-lavage puis un séchage en deux temps distincts.

Pré-lavage avec l'utilisation de brosses ou d'un pad :

- Lever le suceur à l'aide du levier (Fig. 16- Rep. 2).
- Appuyer sur l'interrupteur général (Fig.16-Réf.1).
- Appuyer sur le bouton brosse (Fig. 17 - Rep. 2).
- Éteindre l'aspiration en appuyant sur le bouton aspiration (Fig. 17 - Rep.2).
- Actionner le levier de commande brosse (Fig. 16 - Rep. 3).
- Insister sur les endroits les plus sales: cela permet au détergent d'exercer son action chimique et aux brosses d'effectuer une action mécanique efficace.

Séchage :

- Abaisser le suceur à l'aide du levier (Fig. 16- Rep. 2).
- Appuyer sur le bouton aspirateur pour mettre en marche l'aspiration, repasser sur la zone précédemment lavée : on obtient ainsi le même résultat qu'un lavage en profondeur et on raccourcit considérablement les opérations d'entretien courant.

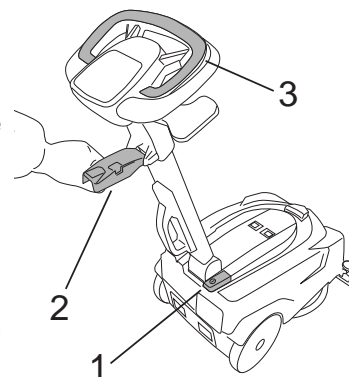


Fig.16

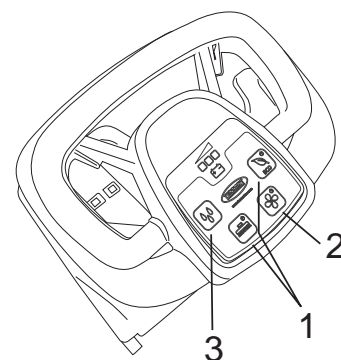


Fig.17

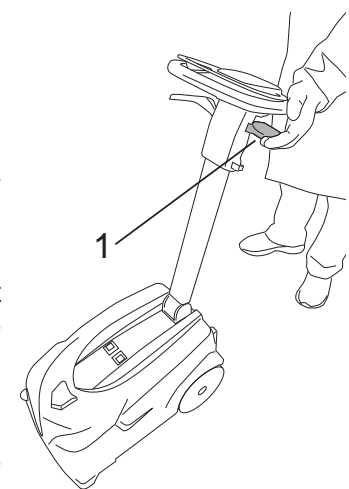


Fig.18

Retirer le couvercle du réservoir de récupération

- Déverrouiller le couvercle du réservoir de récupération en poussant les deux ergots coulissants vers le centre (Fig. 19-Rep.1)
- Soulever le couvercle.

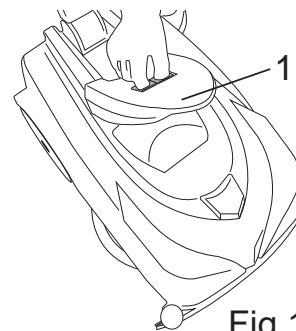


Fig.19

Installation couvercle du réservoir de récupération

! INFORMATION

Si le couvercle N'EST PAS BIEN installé sur le réservoir de récupération la machine fonctionne mal pendant le séchage.

- Poser le couvercle sur le réservoir.
- Appuyer sur le couvercle jusqu'à ce que les deux ergots coulissants se clipsent sur le réservoir de récupération, les deux ergots devront se déplacer vers l'extérieur du couvercle (Fig. 20).

! INFORMATION

Le couvercle est installé correctement quand le fond de couleur ROUGE présent dans le logement des deux ergots N'EST PAS visible (Fig. 20).

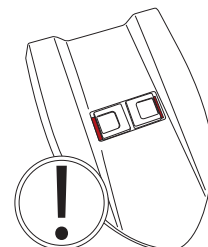


Fig.20

Remplissage du réservoir d'eau/détergent

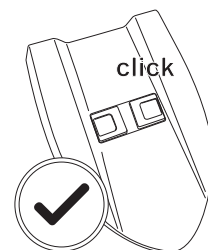
! INFORMATION

Vider toujours le réservoir de récupération lorsqu'on remplit le réservoir de solution.

Le réservoir peut être rempli de deux manières :

Réservoir installé sur la machine :

- Éteindre la machine à l'aide de l'interrupteur général.
- Retirer le bouchon du réservoir détergent (Fig. 21 - Rep 1).
- Remplir le réservoir.



Réservoir démonté de la machine :

- Éteindre la machine à l'aide de l'interrupteur général.
- Appuyer sur les deux leviers de déverrouillage du réservoir (Fig. 22 - Rep. 1), retirer le réservoir de récupération et le poser par terre.
- Retirer le bouchon du réservoir détergent.
- Sortir le réservoir détergent.
- Remplir le réservoir (Fig. 23).

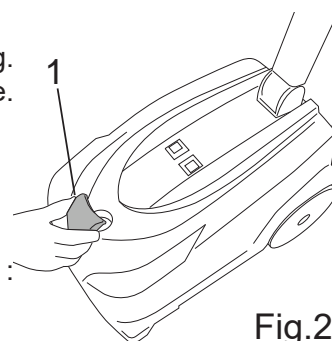


Fig.21

Vidange du réservoir d'eau/détergent

Il est possible de vider le réservoir en suivant les instructions ci-dessous :

- Éteindre la machine à l'aide de l'interrupteur général.
- Amener la machine dans la zone de vidange choisie.
- Appuyer sur les deux leviers de déverrouillage du réservoir (Fig. 22 - Rep. 1), retirer le réservoir de récupération et le poser par terre.
- Sortir le réservoir détergent.
- Retirer le bouchon du réservoir détergent.
- Vider le réservoir par l'ouverture frontale (Fig. 24).

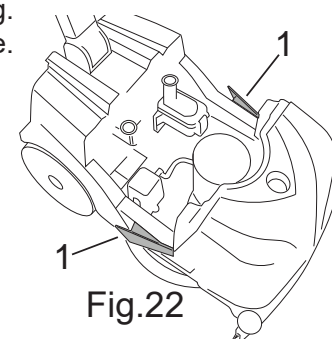


Fig.22

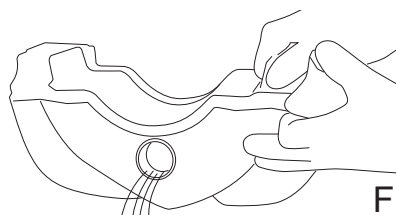


Fig.24

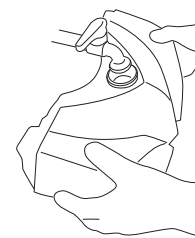


Fig.23

Vidange du réservoir de récupération

Un système de fermeture automatique à flotteur placé dans le couvercle du réservoir de récupération bloque le système d'aspiration quand le réservoir de récupération est plein. Lorsque le système d'aspiration est bloqué le bruit du moteur d'aspiration augmente brusquement, le sol n'est pas séché. Dans ce cas il faut s'arrêter et vider le réservoir en suivant les instructions ci-dessous :

- Éteindre la machine à l'aide de l'interrupteur général.
- Amener la machine dans la zone de vidange choisie.
- Appuyer sur les deux leviers de déverrouillage réservoir /Fig. 25 - Rep 1), retirer le réservoir de récupération.
- Retirer le bouchon du réservoir de récupération (Fig. 26 - Rep. 1).
- Vider le réservoir (Fig. 27).

Réglage traction

La machine est munie d'un dispositif de traction mécanique spécial, grâce auquel le frottement entre la brosse et le sol permet de générer une poussée vers l'avant.

Il est possible de régler l'intensité de la traction en tournant le bouton (Fig. 28 - Rep. 1); le bouton est divisé en deux parties une de couleur verte et une de couleur jaune :

- en tournant le bouton du côté vert on augmente la traction.
- en tournant le bouton du côté jaune on diminue la traction.

Pour régler la traction suivre les instructions ci-dessous :

- Éteindre la machine à l'aide de l'interrupteur général.
- Retirer le réservoir de récupération et le réservoir détergent et les poser par terre (voir paragraphe "Vidange réservoir eau/détergent" et "Vidange réservoir de récupération").
- D'une main pousser vers le haut la brosse/moteur, de l'autre main tourner le bouton (Fig.28- Rep.1) dans la position voulue.

Fin du travail

- Éteindre la machine à l'aide de l'interrupteur général.
- Vider le réservoir de récupération et le rincer à l'eau propre (voir paragraphe "Vidange du réservoir de récupération".)
- Vider le réservoir détergent (voir paragraphe "Vidange du réservoir eau/détergent").
- Mettre la machine en position de stationnement (voir paragraphe "réglage position de stationnement").

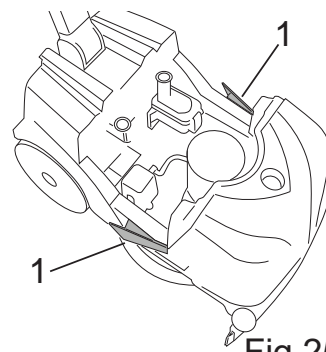


Fig.25

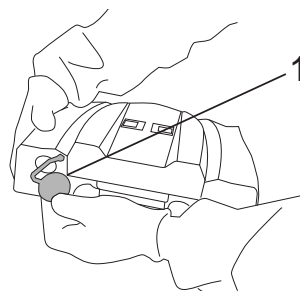


Fig.26

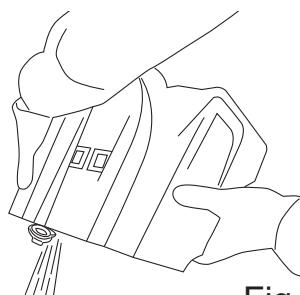


Fig.27

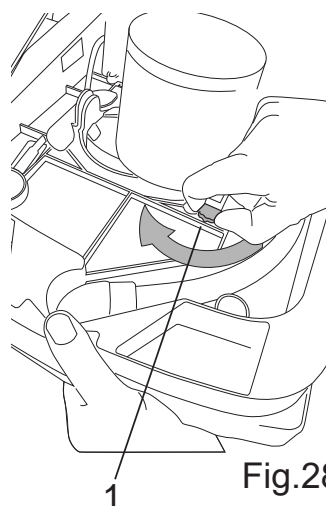


Fig.28

PÉRIODES D'INACTIVITÉ

Lorsque la machine ne doit pas être utilisée pendant une longue période, suivre les points indiqués ci-dessous :

- Retirer la batterie de la machine, voir paragraphe « Batterie : retrait » et la recharger complètement, voir paragraphe « Batterie : préparation / installation / recharge ». Effectuer des recharges périodiques afin de maintenir la batterie constamment en charge pleine.
- Nettoyer les lames du suceur avec un chiffon humide (voir paragraphe "Nettoyage suceur").
- Ouvrir et nettoyer l'intérieur de la soupape d'étranglement (voir paragraphe "Nettoyage soupape d'étranglement").
- Démontez et nettoyez les tuyaux d'aspiration (voir paragraphe "Nettoyage tuyau aspiration suceur avant" et "Nettoyage tuyau aspiration suceur arrière").
- S'assurer que les réservoirs sont parfaitement vides et propres (voir paragraphe "Vidange réservoir de récupération" et "Vidange réservoir eau/détergent").
- Mettre la machine en position de stationnement (voir paragraphe "Réglage position de stationnement").

INSTRUCTIONS POUR L'ENTRETIEN

! DANGER

Avant toute opération d'entretien retirer impérativement le pack batterie de la machine.

! ATTENTION

Avant toute opération d'entretien vider le réservoir eau détergent et le réservoir de récupération (voir paragraphes "Vidange du réservoir eau/détergent" et "Vidange réservoir de récupération").

! INFORMATION

Les opérations d'entretien ou de réparation non décrites explicitement dans ce manuel, doivent être effectuées par des techniciens spécialisés, conformément aux normes de sécurité en vigueur.

! INFORMATION

Entretenir régulièrement la machine afin qu'elle fonctionne toujours de manière optimale.

! INFORMATION

Il est interdit de nettoyer les joints avec de l'alcool éthylique.

Ce chapitre décrit comment effectuer l'entretien.

Entretien - Règles générales

Lors du nettoyage de la machine il est recommandé de prendre les précautions suivantes:

- Ne pas utiliser de nettoyeurs haute pression, de l'eau pourrait entrer à l'intérieur du coffret électrique ou des moteurs et les endommager ou provoquer un court-circuit.
- Ne pas utiliser de vapeur, la chaleur pourrait déformer les pièces en plastique;
- Ne pas employer d'hydrocarbures ou de solvants: cela pourrait endommager les capots et les parties en caoutchouc.

Nettoyage flotteur aspiration

- Déverrouiller le couvercle du réservoir de récupération
- Basculer le couvercle et vérifier que les flotteurs se déplacent librement (Fig. 29 - Rep. 1).
- Nettoyer les joints avec un chiffon humide (Fig. 29 - Rep. 2).
- Remettre le couvercle.

! INFORMATION

Il est interdit de nettoyer les joints avec de l'alcool éthylique.

Nettoyage du filtre réservoir d'eau/détergent

- Retirer le réservoir de récupération et le réservoir détergent et les poser par terre (voir paragraphe "Vidange réservoir eau/détergent" et "Vidange réservoir de récupération").
- Retirer le filtre et le laver à l'eau (Fig. 30-Rep.1).

Nettoyage filtre aspiration

- Retirer le réservoir de récupération et le poser par terre (voir paragraphe "Vidange réservoir de récupération").
- Retirer le filtre et le laver à l'eau (Fig. 30-Rep.2).

Nettoyage tuyau aspiration suceur avant

- Retirer le réservoir de récupération et le réservoir détergent et les poser par terre (voir paragraphe "Vidange réservoir eau/détergent" et "Vidange réservoir de récupération").
- Débrancher le tuyau de la soupape d'étranglement (Fig. 31 - Rep. 1) et du suceur avant (Fig. 31- Rep. 2).
- Faire couler de l'eau dans le tuyau pour le nettoyer (Fig. 32).
- Remonter le tuyau.

Nettoyage tuyau aspiration suceur avant

- Retirer le réservoir de récupération et le réservoir détergent et les poser par terre (voir paragraphe "Vidange réservoir eau/détergent" et "Vidange réservoir de récupération").
- Replier le guidon perpendiculairement à la machine.
- Abaisser le suceur à l'aide du levier.
- Basculer la machine vers l'arrière et la mettre en appui sur le guidon;
- Débrancher le tuyau de la soupape d'étranglement et du suceur arrière (Fig. 33-Rep.1).
- Faire couler de l'eau dans le tuyau pour le nettoyer (Fig. 32).
- Remonter le tuyau.

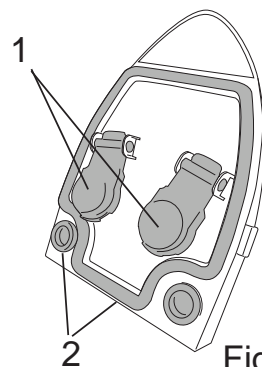


Fig.29

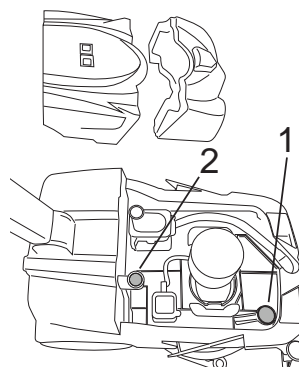


Fig.30

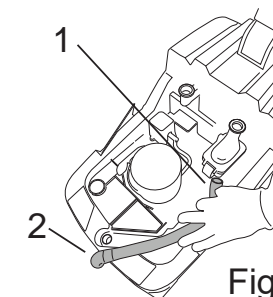


Fig.31

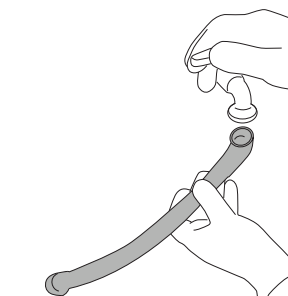


Fig.32

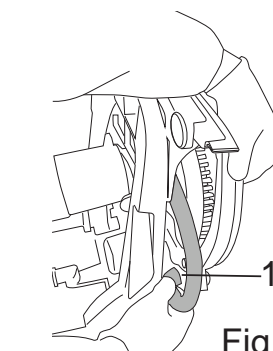


Fig.33

Nettoyage soupape d'étranglement

! INFORMATION

Travailler dans un endroit approprié car cette opération risque de mouiller et de salir le sol.

! ATTENTION

Revêtir combinaison, chaussures antidérapantes, gants et toute autre équipement de protection exigé par le milieu dans lequel on travaille.

- Retirer le réservoir de récupération et le réservoir détergent et les poser par terre (voir paragraphe "Vidange réservoir eau/détergent" et "Vidange réservoir de récupération").
- Débrancher le tuyau d'aspiration suceur avant de la soupape d'étranglement.
- Débrancher le tuyau aspiration suceur arrière de la soupape d'étranglement.
- Déverrouiller et retirer le capot de la soupape d'étranglement (Fig. 35-Rep.1).
- Nettoyer l'intérieur de la soupape d'étranglement (Fig.36-Rep.1) en éliminant les éventuels dépôts et rincer à l'eau, puis avec un chiffon doux nettoyer les joints du couvercle.

! INFORMATION

Il est interdit de nettoyer les joints avec de l'alcool éthylique.

Nettoyage suceur

- Retirer le réservoir de récupération et le réservoir détergent et les poser par terre (voir paragraphe "Vidange réservoir eau/détergent" et "Vidange réservoir de récupération").
- Replier le guidon perpendiculairement à la machine.
- Basculer la machine vers l'arrière et la mettre en appui sur le guidon;
- Avec un chiffon humide nettoyer les lames des deux suceurs / Fig.37 - Rep.1).
- Nettoyer le collecteur d'aspiration des deux suceurs (Fig.37-Rep.2).

Réglage du suceur

Le suceur est réglé en usine pour obtenir un séchage optimal sur différents types de sol; si on juge que le séchage est insuffisant il est possible de le régler différemment.

Pour obtenir un séchage parfait il faut que la lèvre de la lame soit inclinée de 45° par rapport au sol sur toute sa longueur; régler la hauteur du suceur à l'aide des routes (Fig. 38-Rep.1).

Remplacement lames suceur

Les lames du suceur détachent le film d'eau et de détergent pour permettre un séchage parfait. A la longue, le frottement continu arrondit et abîme la partie en contact avec le sol, le séchage est moins efficace et la lame doit être remplacée.

- Retirer le réservoir de récupération et le réservoir détergent et les poser par terre (voir paragraphe "Vidange réservoir eau/détergent" et "Vidange réservoir de récupération").

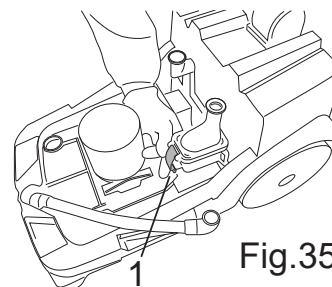


Fig.35

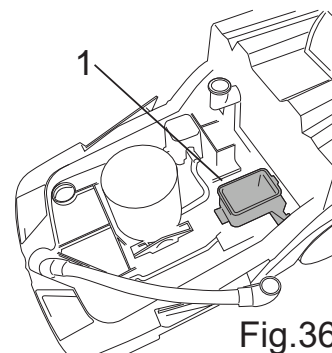


Fig.36

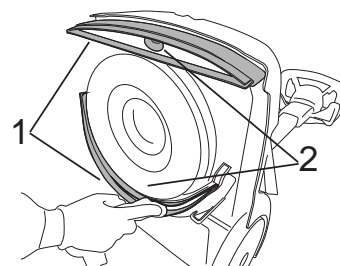


Fig.37

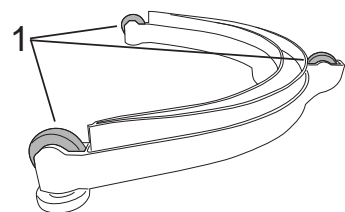
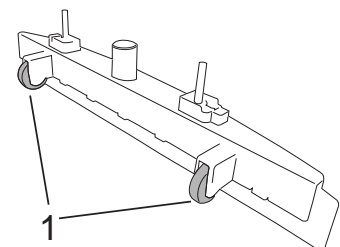


Fig.38



- Replier le guidon perpendiculairement à la machine.
- Basculer la machine vers l'arrière et la mettre en appui sur le guidon;

Suceur avant :

- Débrancher le tuyau d'aspiration du suceur (Fig.39-Rep.1).
- Dévisser les molettes (Fig. 39-Rep.2).
- Retirer le suceur de la machine (Fig.40-Rep.1).
- Tirer les lames pour extraire le groupe (Fig.41).
- Retirer la lame.
- Remonter la même lame en inversant la face en contact avec le sol (cette opération peut être répétée jusqu'à ce que les deux faces soient usées) ou poser une nouvelle lame en l'emboîtant dans les logements du support suceur.
- Remonter le suceur en suivant les instructions données précédemment..

Suceur arrière :

- Abaisser le levier suceur.
- Débrancher le tuyau d'aspiration du suceur (Fig.42-Rep.1).
- Dévisser les molettes (Fig.42-Rep.2).
- Tirer sur les lames pour extraire le groupe (Fig.43-Rep.1).
- Remonter la lame (Fig. 44).
- Remonter la même lame en inversant la face en contact avec le sol (cette opération peut être répétée jusqu'à ce que les deux faces soient usées) ou poser une nouvelle lame en l'emboîtant dans les logements du support suceur.;
- Remonter le suceur en suivant les instructions données précédemment..

Remplacement de la brosse

La brosse comporte des poils plus courts de couleur rouge (Fig. 45). Quand les poils noirs atteignent la même hauteur que les rouges il faut remplacer la brosse. Pour le décrochage/accrochage voir le paragraphe "Décrochage brosse / plateau d'entraînement" et "Installation brosse / plateau d'entraînement"

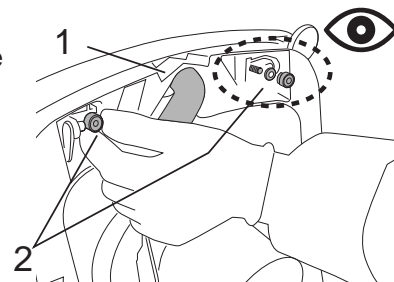


Fig.39

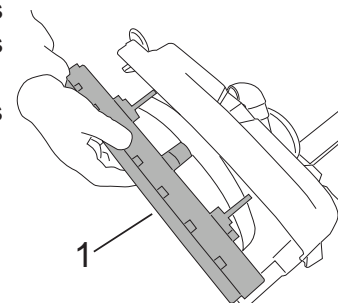


Fig.40

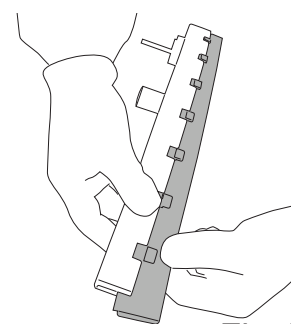


Fig.41

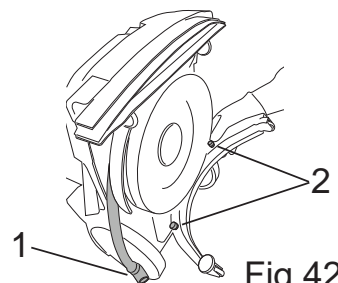


Fig.42

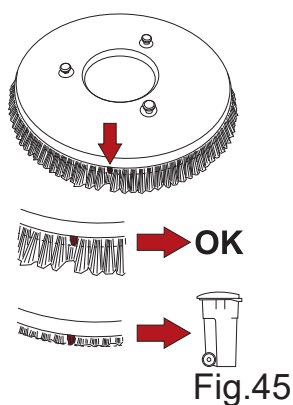


Fig.45

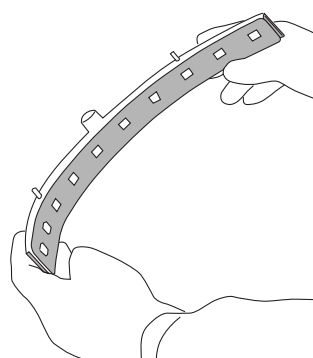


Fig.44

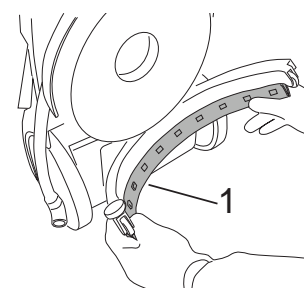


Fig.43

Contrôles périodiques

CONTRÔLE	OPÉRATIONS JOURNALIÈRES	OPÉRATIONS HEBDOMADAIRES	OPÉRATIONS MENSUELLES
Nettoyage du réservoir de récupération	X		
Nettoyage des flotteurs aspiration		X	
Nettoyage du filtre réservoir d'eau/détergent		X	
Nettoyage filtre aspiration		X	
Nettoyage tuyau aspiration suceur avant	X		
Nettoyage tuyau aspiration suceur avant	X		
Nettoyage soupape d'étranglement		X	
Remplacement lames suceur	X		
Contrôle usure lames suceur		X	
Contrôle usure brosses			X

PROBLÈMES, CAUSES ET REMÈDES

ANOMALIES	CAUSES	REMÈDES
La machine ne fonctionne pas.	Batterie déchargée.	Recharger la batterie.
	Interrupteur général non actionné.	Appuyer sur l'interrupteur général.
La brosse ne tourne pas.	Bouton brosse pas pressé.	Appuyer sur la touche brosse.
	Levier commande brosse pas actionné.	Actionner le levier de commande brosse.
Le moteur brosse a du mal à démarrer.	On utilise une brosse sèche sur un sol très rugueux.	Augmenter la quantité de détergent.
La machine ne lave pas uniformément.	La brosse ou le disque est usé.	Remplacer la brosse.
La solution ne coule pas.	Le réservoir de détergent est vide	Remplir le réservoir détergent.
	Le filtre est encrassé.	Nettoyer le filtre réservoir eau/détergent.
	Le tuyau d'alimentation qui amène la solution jusqu'aux brosses est bouché.	Éliminer l'obstruction.
Le moteur d'aspiration ne fonctionne pas.	Bouton aspiration pas pressé.	Appuyer sur le bouton aspiration.

Le suceur ne nettoie pas ou n'aspire pas bien.	Le bord des lames en caoutchouc qui est en contact avec le sol est émoussé.	Remplacer la lame de caoutchouc.
	Le flotteur s'est déclenché (réservoir de récupération plein).	Vider le réservoir de récupération.
	Le tuyau d'aspiration suceur est bouché.	Déboucher le tuyau.
	Le tuyau d'aspiration n'est pas raccordé au suceur ou il est endommagé.	Raccorder ou réparer le tuyau.
	Soupape d'étranglement encrassée.	Nettoyer la soupape d'étranglement.
La batterie n'assure pas l'autonomie normale.	Le chargeur de batterie ne fonctionne pas.	Remplacer le chargeur de batterie.

ALARMES

Led rouge bouton brosse, 1 clignotement rapide.	Erreur surtension/court-circuit brosse.	Éteindre toutes les fonctions de la machine. Redémarrer la machine. Si l'erreur se présente de nouveau vérifier que la brosse ne travaille pas sur un sol très rugueux. Si le problème persiste contacter l'assistance.
Led rouge bouton brosse, 2 clignotements rapides.	Erreur surtension/court-circuit pompe solution.	Éteindre toutes les fonctions de la machine. Redémarrer la machine. Si le problème persiste contacter l'assistance.
Led rouge bouton aspirateur 1 clignotement rapide.	Erreur surtension/court-circuit aspirateur.	Éteindre toutes les fonctions de la machine. Redémarrer la machine. Si le problème persiste contacter l'assistance.
La led verte de charge batterie clignote.	Erreur tension batterie excessive	Vérifier le chargeur de batterie et l'utilisation du chargeur de batterie fourni avec la machine. Attendre 10 minutes et réessayer.
Les leds de contrôle de charge de la batterie clignotent en séquence.	Batterie en charge.	Retirer le connecteur de recharge de la batterie.
Les leds de contrôle de charge de la batterie clignotent simultanément.	Absence de communication entre carte Power et carte Touch.	Problème sur le câblage ou sur les cartes. Contacter l'assistance.
La led du logo clignote lentement et un double « Bip Buzzer » est émis à l'appui sur le levier de commande de brosse.	Position de la machine incorrecte.	Mettre la machine à l'horizontale.

PIÈCES DE RECHANGE CONSEILLÉES

Pièce n°	COMPOSANTS D'USURE
SPPV02580	BROSSE SOUPLE, 28 CM, PPL, POUR AUTOLAVEUSES [OPTION]
SPPV02438	BROSSE MOYENNE, 28 CM, PPL, POUR AUTOLAVEUSES [STANDARD]
SPPV02581	BROSSE DURE, 28 CM, PPL, POUR AUTOLAVEUSES [OPTION]
SPPV02582	DISQUE ENTRAÎNEUR, 28 CM
SPPV02583	TAMPON ABRASIF, 28 CM, BLANC, [LOT DE 5 TAMPONS]
SPPV02584	TAMPON ABRASIF, 28 CM, ROUGE, [LOT DE 5 TAMPONS]
KTRI06148	KIT LAME, SUCEUR, 28 CM, LINATEX, AVANT [STANDARD]
KTRI06149	KIT LAME, SUCEUR, 28 CM, LINATEX, ARRIÈRE [STANDARD]
KTRI06150	KIT LAME, SUCEUR, 28 CM, CAOUTCHOUC, AVANT [OPTION]
KTRI06151	KIT LAME, SUCEUR, 28 CM, CAOUTCHOUC, ARRIÈRE [OPTION]
KTRI06152	KIT LAME, SUCEUR, 28 CM, POLYURÉTHANE, AVANT [STANDARD]
KTRI06153	KIT LAME, SUCEUR, 28 CM, POLYURÉTHANE, ARRIÈRE [OPTION]
Pièce n°	PIÈCES DE RECHANGE
KTRI06154	KIT SUCEUR, 28 CM, LINATEX, AVANT [STANDARD]
KTRI06155	KIT SUCEUR, 28 CM, LINATEX, ARRIÈRE [STANDARD]
MECE00813	CARTE ÉLECTRONIQUE PRINCIPALE, RV1
MECE00814	CARTE D'ALIMENTATION, 36 V CC
MECI00588	MICRO-INTERRUPTEUR
MECI00681	INTERRUPTEUR
MFVR00305	DISQUE D'ENTRAÎNEMENT
MOCC00477	MOTEUR BROSSE, 36 V, 100 W
MOCC00481	MOTEUR ASPIRATION
MPVR12254	INTERRUPTEUR D'ALLUMAGE
MPVR12348	FILTRE CS5, RÉSERVOIR SOLUTION
MPVR12484	FILTRE ENTRÉE AIR
GUGO00622	JOINT COUVERCLE RÉSERVOIR DE RÉCUPÉRATION
KTRI06106	CHARBON POUR MOTEUR BROSSE
PPEL00140	POMPE 24 VCC
RTRT00708	ROUE D.200
TBFX01282	TUBE FLEXIBLE, SUCEUR ARRIÈRE
TBFX01283	TUBE FLEXIBLE, SUCEUR AVANT
KTRI06057	BATTERIE, IONS DE LITHIUM, 36 V, 5,5 AH [STANDARD]
KTRI06058	BATTERIE, IONS DE LITHIUM, 36 V, 8,25 AH [OPTION]
BACA00263	CHARGEUR DE BATTERIE, 36 VCC
MECB02131	CÂBLE D'ALIMENTATION, CHARGEUR DE BATTERIE, 120 V [NA]

MECB02130	CÂBLE D'ALIMENTATION, CHARGEUR DE BATTERIE, 230 V [CE]
MECB02135	CÂBLE D'ALIMENTATION, CHARGEUR DE BATTERIE, 230 V [UK]
MECB02133	CÂBLE D'ALIMENTATION, CHARGEUR DE BATTERIE, 240 V [CN/AUS]
MECB02134	CÂBLE D'ALIMENTATION, CHARGEUR DE BATTERIE, 220 V [BRZ]
KTRI06048	COUVERCLE, RÉSERVOIR DE RÉCUPÉRATION [CS5]
KTRI06097	RÉSERVOIR DE RÉCUPÉRATION
KTRI06104	RÉSERVOIR SOLUTION
KTRI06105	KIT VANNE D'ASPIRATION

Tennant Company

PO. Box

10400 Clean Street

Eden Prairie, MN 55344-2650

Phone: (800) 553- 8033

www.tennantco.com

Copyright © 2019 Tennant Company. All rights reserved.