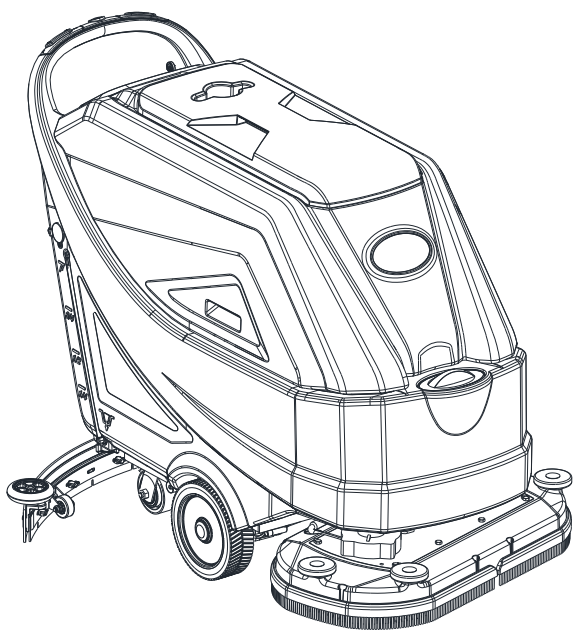


# AS6690T-US & AS7690T-US / AS7190TO-US INSTRUCTION FOR USE



AS6690T-US & AS7690T-US

AS7190TO -US



Model No.: 50000572/50000573/50000574

VS14002 Rev. A Nov. 2019



# TABLE OF CONTENTS

<b>ENGLISH</b>	<b>INSTRUCTION FOR USE.....</b>	<b>1-30</b>
<b>FRANÇAIS</b>	<b>INSTRUCTIONS D'UTILISATION.....</b>	<b>31-60</b>
<b>ESPAÑOL</b>	<b>INSTRUCCIONES DE USO.....</b>	<b>61-90</b>

## TABLE OF CONTENTS

<b>INTRODUCTION .....</b>	<b>2</b>
GUIDE PURPOSE AND CONTENTS .....	2
HOW TO KEEP THIS INSTRUCTION FOR USE .....	2
DECLARATION OF CONFORMITY .....	2
ACCESSORIES AND MAINTENANCE .....	2
CHANGE AND IMPROVEMENT .....	2
SCOPE OF APPLICATION .....	2
MACHINE IDENTIFICATION DATA .....	2
TRANSPORT AND UNPACKING .....	3
<b>SAFETY .....</b>	<b>3</b>
VISIBLE SYMBOLS ON THE MACHINE .....	3
SYMBOLS THAT APPEAR ON THE INSTRUCTION FOR USE .....	3
GENERAL SAFETY INSTRUCTION .....	4
<b>MACHINE DESCRIPTION.....</b>	<b>6</b>
MACHINE STRUCTURE .....	6
CONTROL PANEL .....	8
WORKING MODE DESCRIPTION .....	9
MACHINE SIZE .....	11
TECHNICAL PARAMETERS .....	12
WIRING DIAGRAM .....	13
<b>OPERATING GUIDE .....</b>	<b>14</b>
BATTERY CHECK/SETTING ON A NEW MACHINE .....	14
BATTERY INSTALLATION AND BATTERY TYPE SETTING (WET OR GEL/ AGM) .....	15
BRUSH/PAD-HOLDER INSTALLATION AND REMOVAL .....	17
PAD INSTALLATION AND REMOVAL .....	17
ADJUSTING THE BALANCE OF SQUEEGEE .....	18
FILLING SOLUTION TANK .....	18
MACHINE START AND STOP .....	18
MACHINE OPERATION (SCRUBBING AND DRYING) .....	19
ADJUSTING THE LEVEL OF ORBITAL DECK (ONLY FOR ORBITAL MACHINE) .....	19
TANK EMPTYING .....	20
AFTER USING THE MACHINE .....	21
MACHINE STORAGE DURING LONG INACTIVITY .....	22
FIRST PERIOD OF USE .....	22
<b>MAINTENANCE.....</b>	<b>22</b>
SCHEDULED MAINTENANCE TABLE .....	22
BATTERY CHARGING .....	23
BRUSH/PAD CLEANING .....	25
SOLUTION FILTER CLEANING .....	25
SQUEEGEE CLEANING .....	25
SQUEEGEE BLADE CHECK AND REPLACEMENT .....	26
MACHINE HOUR CHECK .....	26
FUSE CHECK/REPLACEMENT .....	26
TANK AND BALL FLOAT CLEANING, AND COVER GASKET CHECK .....	27
ACCESSORIES/OPTIONS .....	28
<b>TROUBLESHOOTING .....</b>	<b>28</b>
<b>ERROR CODE OF DISPLAY .....</b>	<b>29</b>
<b>SCRAPPING.....</b>	<b>30</b>

**INTRODUCTION**



**NOTE**

The numbers in brackets refer to the components shown in Machine Description chapter.

**GUIDE PURPOSE AND CONTENTS**

The purpose of this instruction for use is to provide the operator with all basic information and technical characteristics, operation, machine inactivity, spare parts and safety conditions etc.

Before performing any procedure on the machine, the operators and qualified technicians must read the Instruction for Use manual. Contact our company in case of doubts concerning the interpretation of the instructions or for any further information.

**HOW TO KEEP THIS INSTRUCTION FOR USE**

The instruction for use must be kept near the machine, inside an adequate case, away from liquids and other substances that can cause any damage to it.

**DECLARATION OF CONFORMITY**

Declaration of Conformity is supplied with the machine and certifies machine conformity with the law in force.



**NOTE**

The copies of the original declaration of conformity are provided together with the machine documentation.

**ACCESSORIES AND MAINTENANCE**

All the necessary operation, maintenance and repair procedures must be made by qualified personnel, our company appointed repair center. ONLY original or approved spare parts and accessories can be used.

Contact our company customer service for any service or purchase of accessories or spare parts if necessary.

**CHANGE AND IMPROVEMENT**

We are committed to continuous improvement of our products, and the company reserves the right to machine changes and improvements without additional information.

**SCOPE OF APPLICATION**

The scrubber applies to commercial and industrial use. It is suitable for cleaning smooth and solid floor, operating by a qualified person in safe circumstances. It is not suitable for outdoor use or on carpet or rough floor cleaning.

**MACHINE IDENTIFICATION DATA**

The machine serial number and model name are marked on the serial label.

This information is useful. Use the following table to write down the machine identification data when requiring spare parts for the machine.

MACHINE MODEL.....
MACHINE SERIAL NUMBER.....



## TRANSPORT AND UNPACKING

When the carrier delivers the machine, make sure the packaging and machine are both whole and undamaged. If any damage is observed, inform the carrier of the damage before accepting the goods, to reserve the right to compensation for the damage.

Follow the instructions on packaging strictly when unpacking the machine.

Check the package to ensure following items are included:

1. Technical documentation - Instruction for use, and Parts list.
2. Battery connection components.
3. Electronic battery charger manual (if installed) (\*)

## SAFETY

The following symbols indicate potentially dangerous situations. Always read this information carefully and take all necessary precautions to safeguard people and property.

### VISIBLE SYMBOLS ON THE MACHINE



#### WARNING!

Read all the instructions carefully before performing any operation on the machine.



#### WARNING!

Do not wash the machine with direct or pressurized water jets.



#### WARNING!

Do not use the machine on slopes with a gradient exceeding that is defined in the specifications section.

### SYMBOLS THAT APPEAR ON THE INSTRUCTION FOR USE



#### DANGER!

It indicates a dangerous situation with risk of death for the operator.



#### WARNING!

It indicates a potential risk of injury for people.



#### CAUTION!

It indicates a caution, or a remark related to important or useful functions.  
Pay attention to the paragraphs marked by this symbol.



#### NOTE

It indicates a remark related to important or useful functions.



#### CONSULTATION

It indicates the necessity to refer to the Instruction for Use manual before performing any procedure.

**GENERAL SAFETY INSTRUCTION**

Specific warnings and cautions to inform about potential damages to people and machine are shown below.

**DANGER!**

- This machine must be operated by trained and authorized personnel according to guidance of the manual.
- Before performing any cleaning, maintenance, repair or replacement procedure, read all the instructions carefully, ensure to turn the machine OFF and disconnect the battery connector.
- Do not operate the machine near toxic, dangerous, flammable and/or explosive powders, liquids or vapour. This machine is not suitable for collecting dangerous powders.
- Do not wear jewelry when working near electrical components.
- Do not work under the lifted machine without supporting it with safety stands.
- When using lead (WET) batteries, they may emit inflammable gas under normal use, must keep sparks, flames, smoking materials and radiating, illuminating and burning items away from the batteries.
- When charging lead (WET) batteries, they may emit hydrogen gas which may cause explosive. Must ensure the charging environment is well ventilated and away from flames.

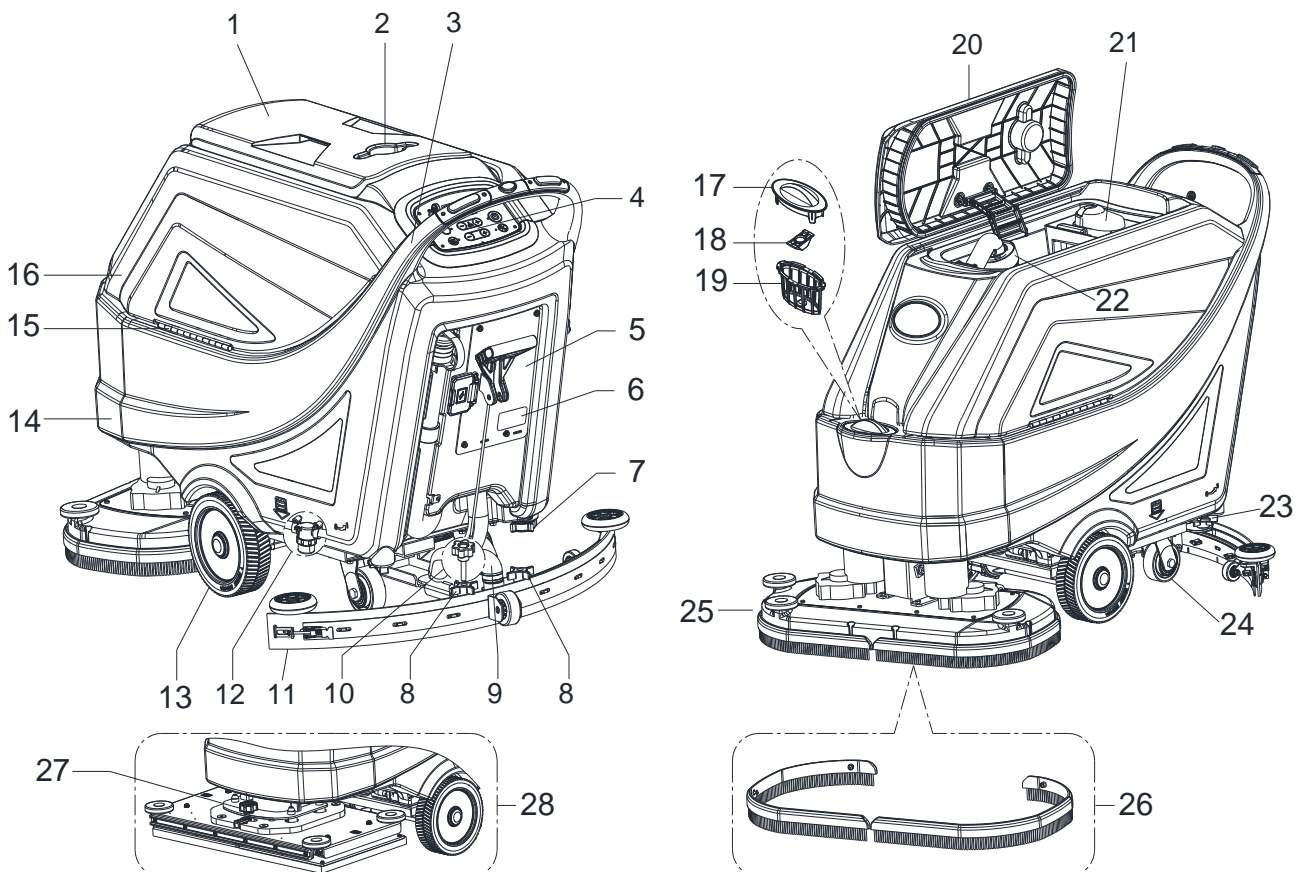
**WARNING!**

- This machine is intended for COMMERCIAL USE, for example in hotels, schools, hospitals, factories, shops, offices and rental businesses.
- Machines left unattended shall be secured against unintentional movement.
- In order to prevent unauthorized use of the machine, the power source shall be switched off or locked, for example by removing the key of the main switch or the ignition key.
- Check the machine carefully before each use. Ensure that all the components have been well assembled before use. Loose components may cause damage to people and properties.
- Before using the battery charger, ensure that the values of frequency and voltage indicated on the machine serial number label match those of mains.
- Never move the machine by pulling the battery charger cable. Do not pass the cable through a closed door or wind the cable around sharp edges or corners. Do not run the machine over the battery charger cable. Keep the battery charger cable away from heated surfaces.
- Do not charge the batteries if the battery charger cable or the plug are damaged.
- To reduce the risk of fire, electric shock, or injury, make sure machine is off before leaving.
- Use or store the machine indoors in dry conditions, it is not allowed for outdoor use.
- The machine storage and working temperature must be between 0 °C and +40 °C, the humidity of air must be between 30% - 95%.
- Do not use the machine on slopes with a gradient exceeding the specifications shown.
- When using and handling floor cleaning detergents, follow the instructions on the labels of the detergent bottles and wear suitable gloves and other protective devices.
- Use brushes and pads supplied with the machine or defined in the manual. Using other brushes or pads could reduce safety.
- In case of machine malfunctions, ensure that these are not due to lack of maintenance. If necessary, request assistance from the authorized personnel or from an authorized Service Center.
- Take all necessary precautions to prevent hair, jewelry, and loose clothes from being caught by the machine moving parts.
- Do not use the machine in particularly dusty areas.

- Do not wash the machine with direct or pressured water jets, or with corrosive substances.
- Do not bump into shelves or scaffoldings, especially where there is a risk of falling objects.
- Do not lean liquid containers on the machine, use the relevant can holder.
- To avoid damaging the floor, do not allow the brush/pad to operate while the machine is stationary.
- In case of fire, use a dry powder fire extinguisher. Do not use liquid fire extinguishers.
- Do not remove or modify the machine stickers.
- Do not tamper with the machine safety guards and follow the scheduled maintenance instructions closely.
- Pay attention during machine transportation when temperature is below freezing point. The water in the recovery tank and in the hoses could freeze and cause serious damage to the machine.
- If spare parts need be replaced, order ORIGINAL spare parts from an Authorized Dealers or Retailers.
- Return the machine to the Service Center if it doesn't work as usual or it is in condition such as damaged, placed outdoors, dropped into water.
- To ensure machine proper and safe operation, the scheduled maintenance shown in the relevant chapter of this Manual, must be performed by the authorized personnel or an authorized Service Center.
- The machine must be properly disposed of, due to the presence of toxic-harmful materials (batteries, etc.), which are subject to standards that require disposal in special centers (see Scrapping chapter).
- This machine as a cleaning tool only, not for any other purpose use.
- Always keep the openings free from dust, hairs and any other foreign material which could reduce the air flow. Do not use the machine if the openings are clogged.
- Use the machine only where proper lighting is provided.
- This machine is not intended for use by persons (including children) with reduced physical, sensory or mental capabilities, or lack of experience and knowledge.
- Close attention is necessary when used near children.
- Children should be supervised to ensure that they do not play with the machine.
- While using this machine, take care not to cause damage to people or objects.
- Cleaning and user maintenance shall not be made by children without supervision.

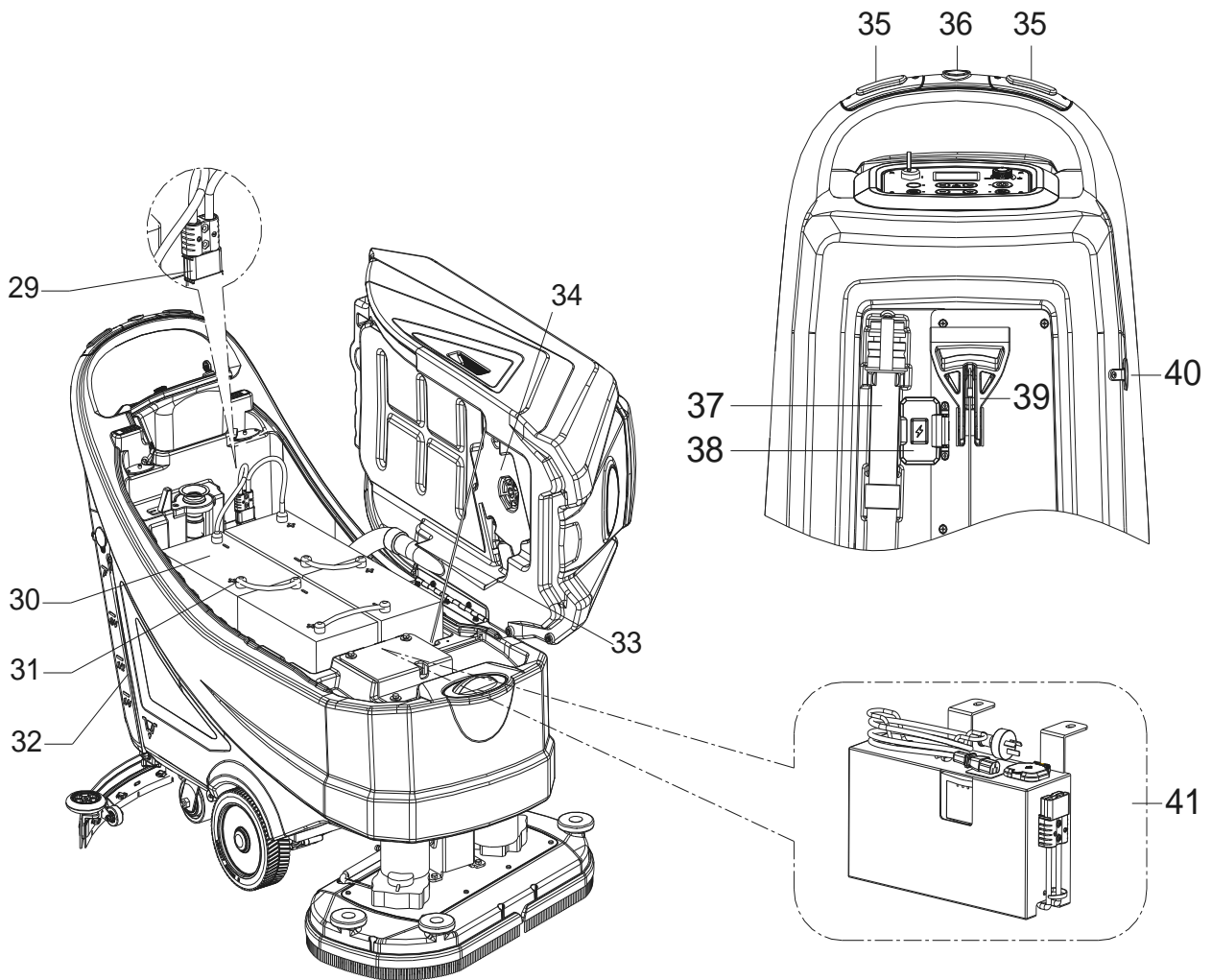
**MACHINE DESCRIPTION****MACHINE STRUCTURE (as shown in Figure 1)**

- |     |                                    |     |   |
|-----|------------------------------------|-----|---|
| 1.  | Recovery tank lid                  | 15. | Hinge                                     |
| 2.  | Can holder                         | 16. | Recovery tank                             |
| 3.  | Handlebar                          | 17. | Filter cover                              |
| 4.  | Control panel                      | 18. | Filler hose holder                        |
| 5.  | Control box                        | 19. | Filter support                            |
| 6.  | Serial number plate/technical data | 20. | Tank cover gasket                         |
| 7.  | Outlet cover                       | 21. | Debris collection box                     |
| 8.  | Squeegee knobs                     | 22. | Float ball filter                         |
| 9.  | Squeegee vacuum hose               | 23. | Solution /clean water tap                 |
| 10. | Squeegee balance adjusting knob    | 24. | Rear steering wheels                      |
| 11. | Squeegee                           | 25. | Brush system (only for disc machine)      |
| 12. | Solution filter                    | 26. | Splash guard                              |
| 13. | Driving wheels                     | 27. | Orbital head adjusting knob               |
| 14. | Solution tank                      | 28. | Orbital system (only for orbital machine) |

**Figure 1**

**MACHINE STRUCTURE (as shown in Figure 2)**

- 29. Battery connector (red)
  - 30. Batteries (\*)
  - 31. Battery caps
  - 32. Water level indicator tube
  - 33. Tank safety cable
  - 34. Vacuum system
  - 35. Safety switch
  - 36. Machine reverse switch
  - 37. Recovery water drain hose
  - 38. Security cover of charging jack
  - 39. Squeegee lifting/lowering handle
  - 40. Solution tank side filler cap
  - 41. On-Board Charger (\*)
- (\*): Optional



**Figure 2**

**CONTROL PANEL (as shown in Figure 3)**

41. Multifunction display
  - Items displayed:
  - A) Battery type
  - B) Battery charge level
  - C) Hours worked
  - D) ECO mode
  - E) Vacuum normal mode
  - F) Vacuum silence mode
  - G) Reverse mode
  - H) Extra pressure active
  - I) Detergent solution flow quantity
  - J) Brush work mode
  - K) Vacuum mode
  - L) Floor prep mode
42. Ignition key (0 - I)
43. ECO mode button
  - LED on-below function activated
  - water flow at minimum (level 1)
  - pressure at minimum (level 1)
  - The vacuum in silent mode
44. Brush/pad-holder release button (only for disc machine)
  - Flashing LED-Releasing system activated
45. Floor prep button (only for orbital machine)
  - Travel speed pre-set to 1Km/hour
  - LED on-below function activated
  - water flow at minimum (level 1)
  - pressure at maximum (level 3)
  - The vacuum in normal mode
46. Brush pressure adjusting button
47. Solution flow adjusting button
48. Speed adjuster
49. One-button start
50. Vacuum system adjustment button (press the button 1 second to activation)
  - LED on-normal mode
  - Flashing LED-Slient mode

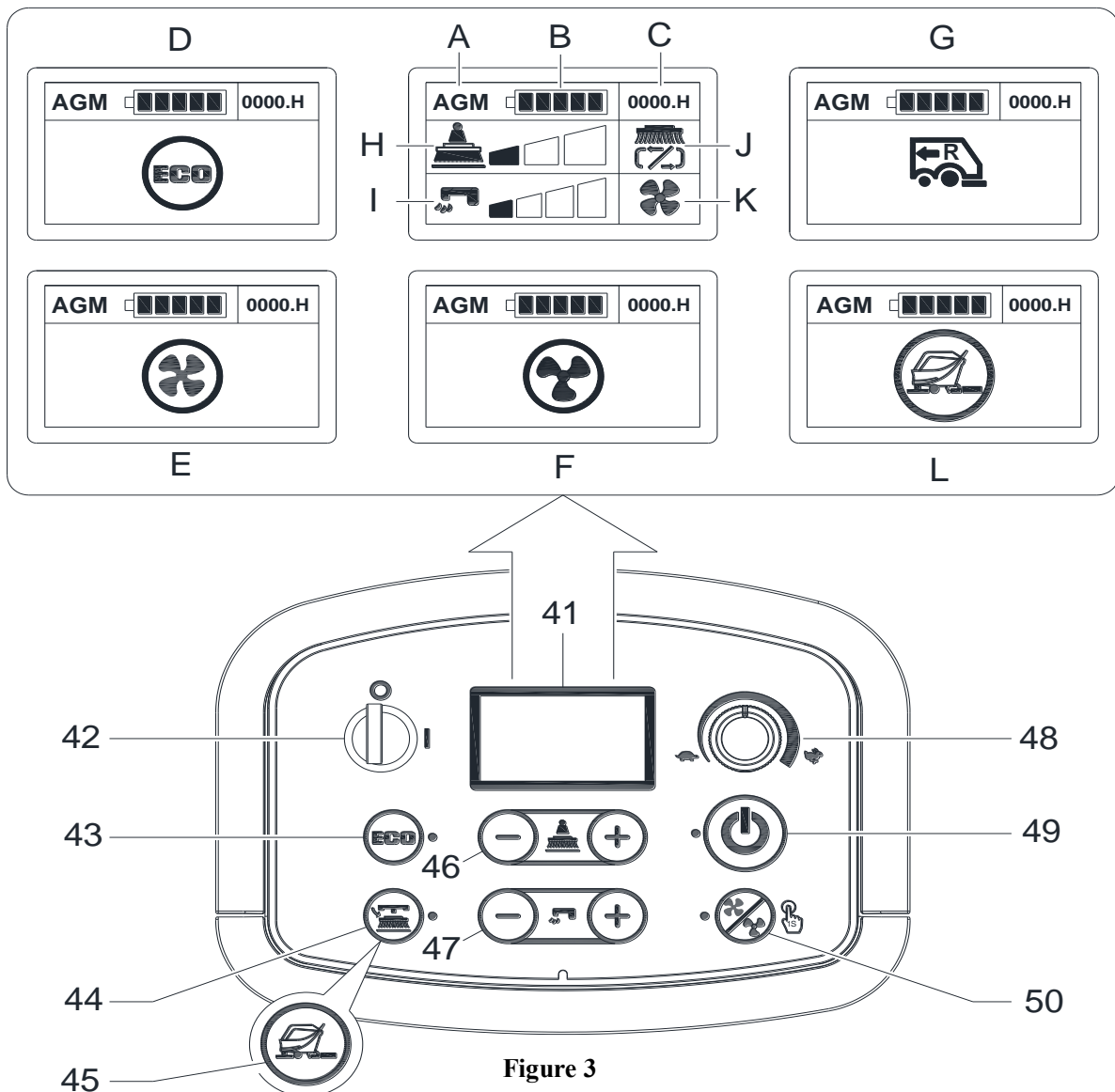
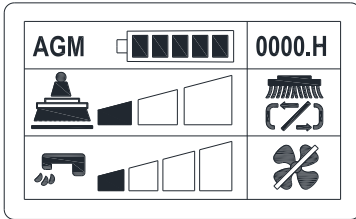
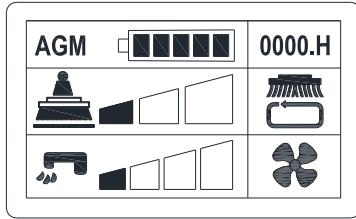
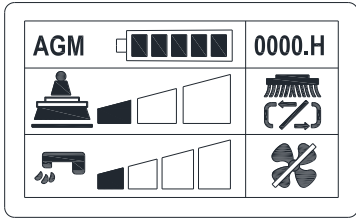
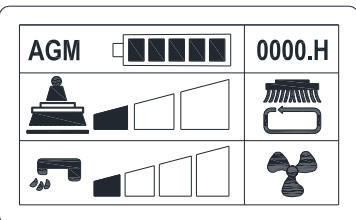
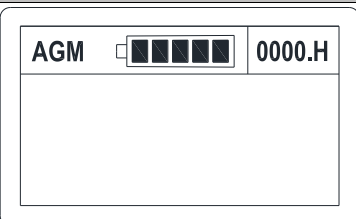
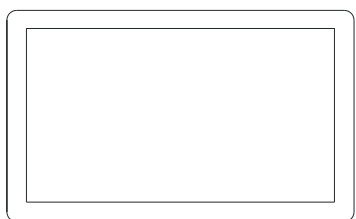
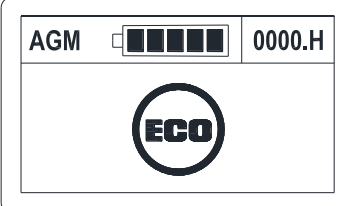
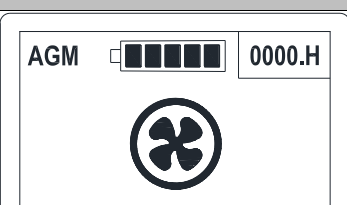
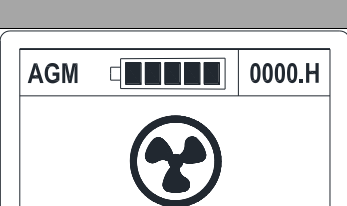
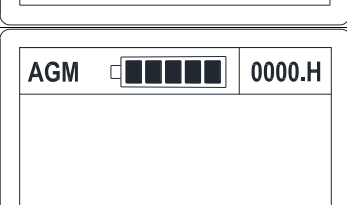
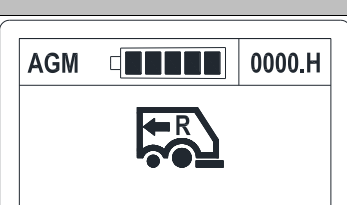
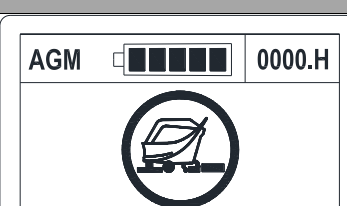


Figure 3

## WORKING MODE DESCRIPTION

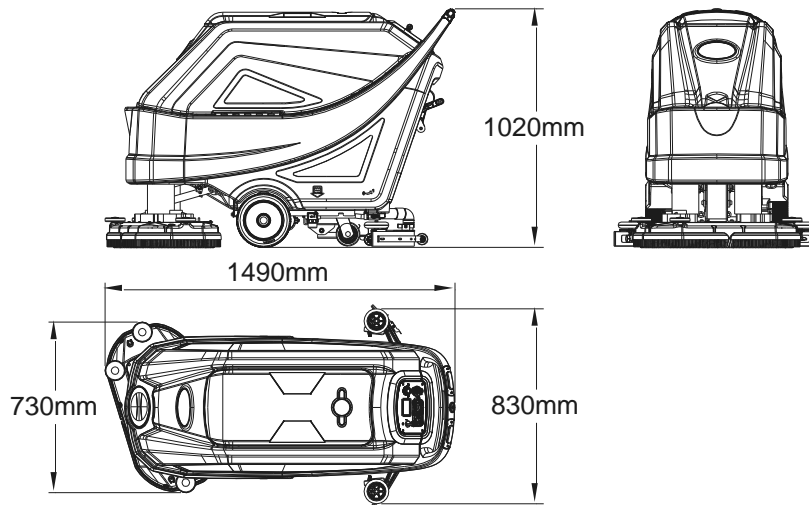
HOW TO OPERATE	DISPLAY	DESCRIPTION
<b>Normal mode</b>		
Key (42) on One button start (49) on		<ol style="list-style-type: none"> <li>1: Hour meter point does not flash.</li> <li>2: The brush arrow does not rotate.</li> <li>3: The fan does not flash.</li> <li>4: The tap water does not flash.</li> <li>5: The actuator puts down to the first level pressure.</li> </ol>
Key (42) on One button start (49) on Safety switch (35) on		<ol style="list-style-type: none"> <li>1: Hour meter point flashes.</li> <li>2: The brush arrow rotates.</li> <li>3: The fan flashes. (Four blades)</li> <li>4: The tap water flashes.</li> </ol>
<b>Silent mode</b>		
Key (42) on One button start (49) on		<ol style="list-style-type: none"> <li>1: Hour meter point does not flash.</li> <li>2: The brush arrow does not rotate.</li> <li>3: The fan does not flash.</li> <li>4: The tap water does not flash.</li> </ol>
Key (42) on One button start (49) on Press vacuum system adjustment button (50) on for 1 second Safety switch (35) on		<ol style="list-style-type: none"> <li>1: Hour meter point flashes.</li> <li>2: The brush arrow rotates.</li> <li>3: The fan flashes. (Three blades)</li> <li>4: The tap water flashes.</li> </ol>
<b>Off mode</b>		
Safety switch (35) off One button start (49) off Key (42) on		<ol style="list-style-type: none"> <li>1: Hour meter point does not flash.</li> <li>2: All panel button closure. (The vacuum motor delays 12 seconds to stop.)</li> <li>3: The brush head puts up to the highest position.</li> </ol>
Key (42) off		<ol style="list-style-type: none"> <li>1. The power cut off.</li> <li>2. The display is off.</li> </ol> <p><b>Note: After turning off the one button start (49), wait until the brush head raises to the full up position, before turning off the key (42).</b></p>

HOW TO OPERATE	DISPLAY	DESCRIPTION
<b>ECO mode</b>		
Key (42) on One button start (49) on ECO button(43) on		Water flow at minimum (level 1) Pressure at minimum (level 1) The vacuum in silent mode. <b>Note:</b> Turn on one button start (49), before turning on ECO button (43).
<b>Vacuum system mode (press the button 1 second to activation)</b>		
<b>Normal mode</b>		
Key (42) on One button start (49) off Press vacuum system adjustment button (50) for 1 second		The fan flashes(four blades)
<b>Silent mode</b>		
Key (42) on One button start (49) off Press vacuum system adjustment button (50) for 1 second		The fan flashes(three blades)
Vacuum system adjustment button (50) Off		NO fan <b>Note: When the vacuum system adjustment button is off, the vacuum motor immediately stops.</b>
<b>Reverse mode</b>		
Handle reverse button (36) on		1: Hour meter point flashes. 2: All the button LEDs shut down.
<b>Floor prep mode (only for orbital machine)</b>		
Key (42) on One button start(49) on Floor prep button (45) on		Machine working speed 1Km/h Water flow at minimum (level 1) Pressure at maximum (level 3) The vacuum in normal mode

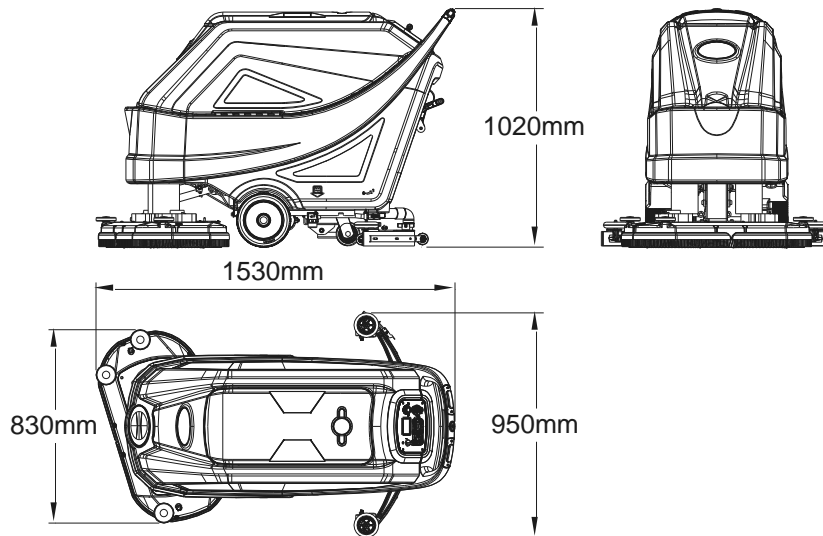


MACHINE SIZE

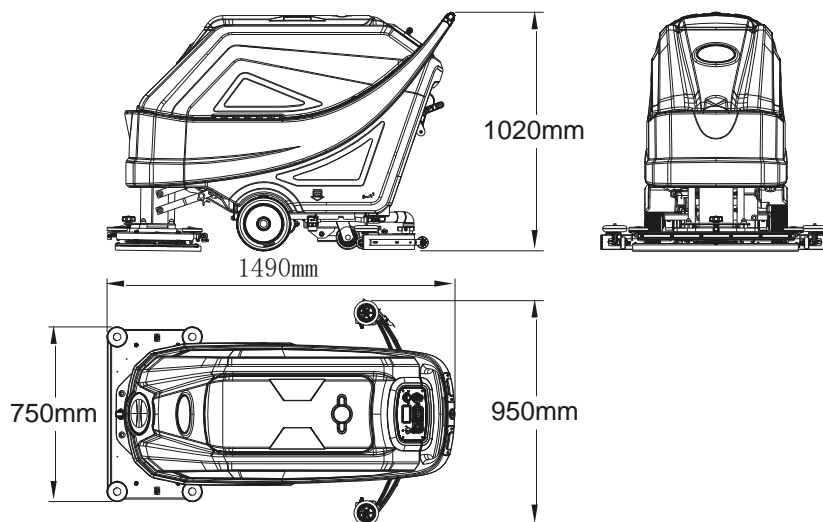
AS6690T



AS7690T



AS7190TO

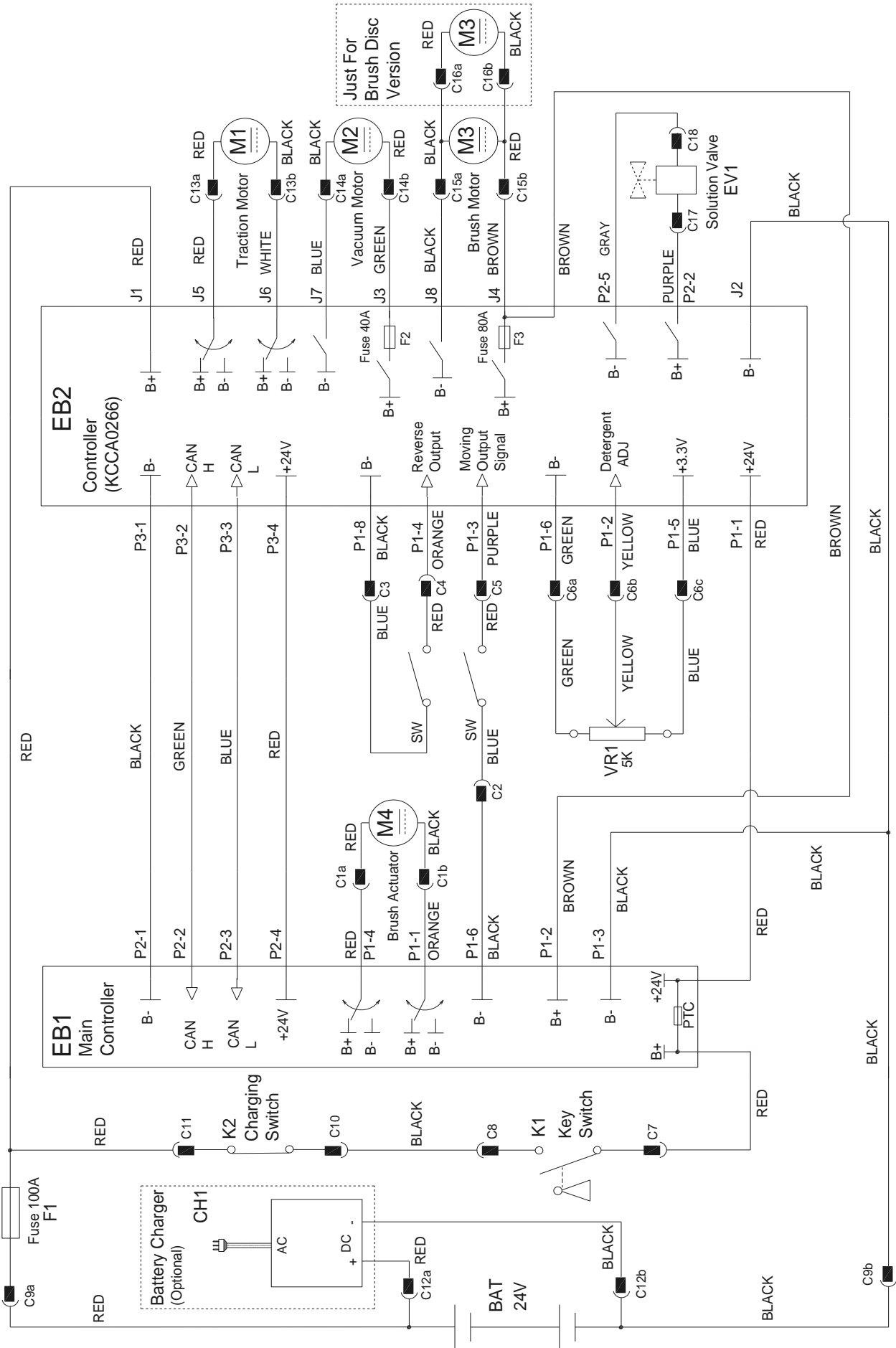


## TECHNICAL PARAMETERS

Parameter Type	Units	Model		
		AS6690T	AS7690T	AS7190TO
Solution tank capacity	L / Gal	85 L / 22 Gal.		
Recovery tank capacity	L / Gal	90 L / 24 Gal.		
Machine Length	mm/Inches	1490 mm/ 59 Inches	1550mm/ 61 Inches	1490 mm/ 59 Inches
Machine width with squeegee	mm/Inches	830 mm / 33 Inches	950 mm / 38 Inches	
Machine width without squeegee	mm/Inches	730 mm/29 Inches	830mm/33 Inches	750mm/30 Inches
Machine Height	mm/Inches	1020 mm / 40 Inches		
Working width	mm/Inches	660 mm / 26 Inches	760 mm / 30 Inches	710 mm / 28 Inches
Driving wheel diameter	mm/Inches	230 mm / 9 Inches		
Driving wheel specific pressure on the floor	N/mm <sup>2</sup>	0.67 N/mm <sup>2</sup>		
Rear wheel diameter	mm/Inches	101 mm / 4 Inches		
Rear wheel specific pressure on the floor	N/mm <sup>2</sup>	0.82 N/mm <sup>2</sup>		
Brush/Pad diameter	mm/Inches	330 mm x 2 / 13 Inches x 2	380mm x 2 / 15 Inches x 2	355x710 mm / 14x28 Inches
Brush/Pad pressure (max)	Kg/Lbs.	32 Kg /71 Lbs 41 Kg /90 Lbs 49 Kg /108 Lbs	35 Kg /77 Lbs 43 Kg /95 Lbs 51 Kg /112 Lbs	42 Kg / 93 Lbs 54 Kg / 120 Lbs 65 Kg / 143 Lbs
Solution Flow (max) per setting	L / Gal per minute	(0.9/1.5/2.2/3) Liters (0.24/0.39/0.58/0.79) Gallons		(0.6/1.1/1.9/2.5) Liters (0.16/0.29/0.5/0.66) Gallons
Sound pressure level	dB (A)	69 ± 3 dB (A)		
Sound pressure level in ECO mode or in silent mode	dB (A)	65 ± 3 dB (A)		
Handle Vibration Level (max)	m/s <sup>2</sup>	< 2.5 m/s <sup>2</sup>		
Climbing capacity (max)	% grade	2%		
Min. aisle turn	cm/Inches	155cm/61 Inches	165 cm/65 Inches	160 cm/63 Inches
Drive motor Power	Watt / H.P.	250 W / 0.33 HP		350 W / 0.47 HP
Working Speed	Km / Miles per hour	0 - 4.0 Km / 0 - 2.5 Miles per hour		0 - 3.2 Km / 0 - 2.0 Miles per hour
Forward speed	Km / Miles per hour	0 - 4.0 Km / 0 - 2.5 Miles per hour		
Reverse speed	Km / Miles per hour	0 - 2.0 Km / 0 - 1.25 miles per hour		
Vacuum motor power	Watt / H.P.	500 W / 0.66 HP		
Vacuum capacity	mm/In of H <sub>2</sub> O	1500 mm / 60 In of H <sub>2</sub> O		
Vacuum capacity in ECO mode or in silent mode	mm/In of H <sub>2</sub> O	900 mm / 35 In of H <sub>2</sub> O		
Brush motor power	Watt / H.P.	500 x 2 Watt / 0.66 x 2 HP		750 Watt / 1.0 HP
Brush speed in normal mode	RPM	200 RPM		2200 RPM
Brush speed in ECO mode	RPM	160 RPM		1600 RPM
IP protection class	IP	IP24		
Battery Compartment Size with Off-board charger (L x W x H)	mm/Inches	(620 x 385 x 390) mm / 24.4 x 15.1 x 15.3 Inches		
Battery Compartment Size with on-board charger (L x W x H) (*)	mm/Inches	(535 x 385 x 390) mm / 21 x 15.1 x 15.3 Inches		
Voltage	DC	24 V		
Batteries (*)	Ah	N/A		
Battery run time (standard batteries) (*)	Hour	Up to 4 hours		
On-Board Charger (*)	Volts/Amps	24V 25A		
Productivity (max)	m <sup>2</sup> /h	2640 m <sup>2</sup> /h	3040 m <sup>2</sup> /h	2272 m <sup>2</sup> /h
Machine weight with empty tanks (without batteries)	Kg/Lbs.	135 Kg / 298 Lbs.	138 Kg/304 Lbs.	148 Kg/326 Lbs.
Gross Vehicle Weight (GVW)	Kg/Lbs.	347 Kg / 765 Lbs.	350 Kg / 772 Lbs.	360 Kg / 794 Lbs.
Shipping Weight	Kg/Lbs.	202 Kg / 444 Lbs.	205 Kg / 451 Lbs.	215 Kg / 473 Lbs.
Packing dimensions (L x W x H)	mm/Inches	(1620 x 810 x 1200 mm) / (64 x 32 x 48 Inches)	(1660 x 910 x 1200 mm) / (66 x 36 x 48 Inches)	

(\*) : Optional

WIRING DIAGRAM



## OPERATING GUIDE

**WARNING!**

On some points of the machine there are some adhesive plates indicating:

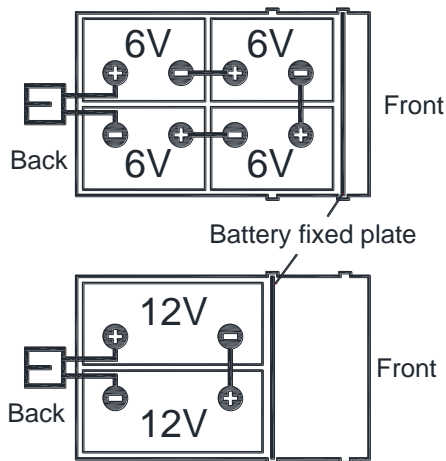
- DANGER!
- WARNING!
- CAUTION!
- CONSULTATION

While reading this Manual, the operator must pay particular attention to the symbols shown on the plates. Do not cover these plates for any reason and immediately replace them if damaged.

## BATTERY CHECK/SETTING ON A NEW MACHINE

**WARNING!**

The electric components of the machine can be seriously damaged if the batteries are either improperly installed or connected. The batteries must be installed by qualified personnel only. Set the function electronic board and the built-in battery charger according to the type of batteries used (WET or GEL/AGM batteries). Check the batteries for damage before installation. Disconnect the battery connector and the battery charger plug. Handle the batteries with great care. Install the battery terminal protection caps supplied with the machine.

**NOTE**

The machine requires two 12V batteries or four 6V Batteries, connected according to the diagram (Figure 4). Put the battery fixed plate correctly as (Figure. 4).

**Figure 4**

**Batteries already installed on the machine**

1. Ensure that the battery connector (29, Figure. 2) is connected.
2. When first using the machine with new batteries, perform a full charging cycle (see the procedure in Maintenance chapter).

**Without batteries**

1. Buy appropriate batteries (see "Technical Data" paragraph). For battery choice and installation, apply to qualified battery Retailers.
2. Set the machine according to the type of batteries installed as shown in the Super User key section of the Maintenance chapter.

**BATTERY INSTALLATION AND BATTERY TYPE SETTING (WET OR GEL/ AGM)****Battery installation**

1. Open the recovery tank lid (1, Figure. 1) and check that the recovery tank (16) is empty; otherwise empty it with the drain hose. (37, Figure. 2)
2. Close the recovery tank lid (1, Figure. 1).
3. Raise the recovery tank (16, Figure. 1) carefully.
4. The machine is supplied with cables suitable to install two 12V batteries or four 6V batteries. Carefully put the batteries into the compartment, then install them correctly. Put the battery fixed plate correctly as (Figure. 4).
5. Route and install the battery cable as shown in (Figure 4), then carefully tighten the nut on each battery terminal.
6. Place the protection cap on each terminal, then connect the battery connector (29, Figure. 2).
7. Carefully lower the recovery tank (16, Figure. 1).

**Battery type setting (WET OR GEL/AMG)****Access to select battery mode**

According to the type of batteries (WET or GEL/AGM), set the machine as follows:

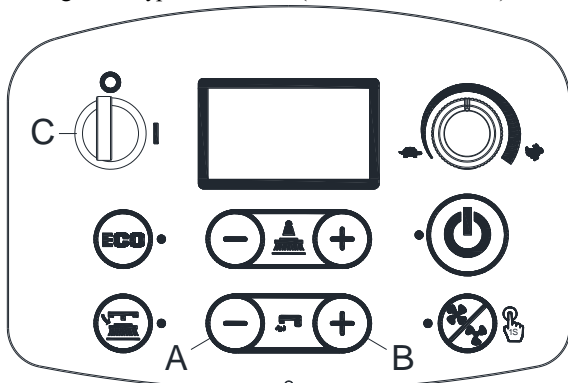


Figure 5

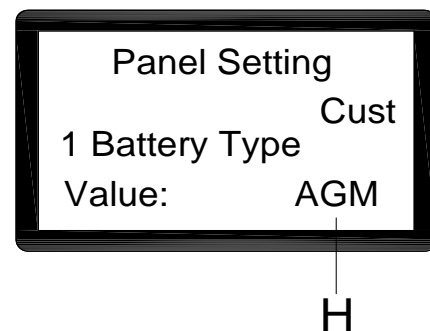
**Access to select battery mode**

Figure 6

1. Press water flow button "+"(A, Figure. 5) and "-"(B, Figure. 5) at the same time.
2. Insert the ignition key (C, Figure. 5) and turn it to "I".
3. Several seconds later enter to the screen of selecting battery mode (Figure. 6)
4. Press water flow button "-"(A, Figure. 5) and "+"(B, Figure. 5) to select battery mode (H, Figure. 6)
5. 3 seconds later show " Update OK" means setting succeeds, turn on to restart. (C, Figure. 5)

**Battery charger setting (only for on-board charger if installed)****WARNING!**

**Do not to set charger unless you have professional training**

1. Turn off the machine and disassemble the On-board charger (A, Figure.7) from the machine. Then pry open the label on the charger cover (B, Figure.7) you will find the 2 sets of dipswitches (SW1 and SW2) in the charger.
2. Only the set of dipswitch SW1 (the one on the left side) has effect on charging curve selection accordingly to the table below.

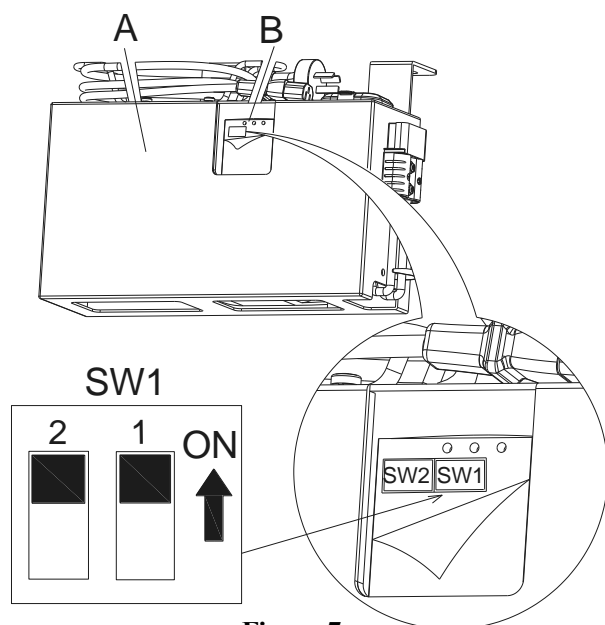


Figure 7

DP1	DP2	CHARGING CURVE
ON	OFF	IUIa-ACD for Lead-acid (Wet)batteries
OFF	OFF	IUIa-GEL for Gel batteries of Exide-Sonnenschein
OFF	ON	IUU0-GEL for HAZE Gel and AGM batteries of other manufacturers
ON	ON	IUIUa-AGM for Discover AGM batteries

### Battery charging

Fully charge the batteries (see the procedure in Maintenance chapter).

### Battery discharge

When the batteries pattern is full (G, Figure 8), the batteries allow the machine to work normally. When the batteries pattern is low (H, Figure 8), the batteries must be charged. A few seconds after the low battery pattern shows, the brush/pad-holder is automatically turned off, while the drive system stays on. Drive the machine to the appointed recharging area immediately.

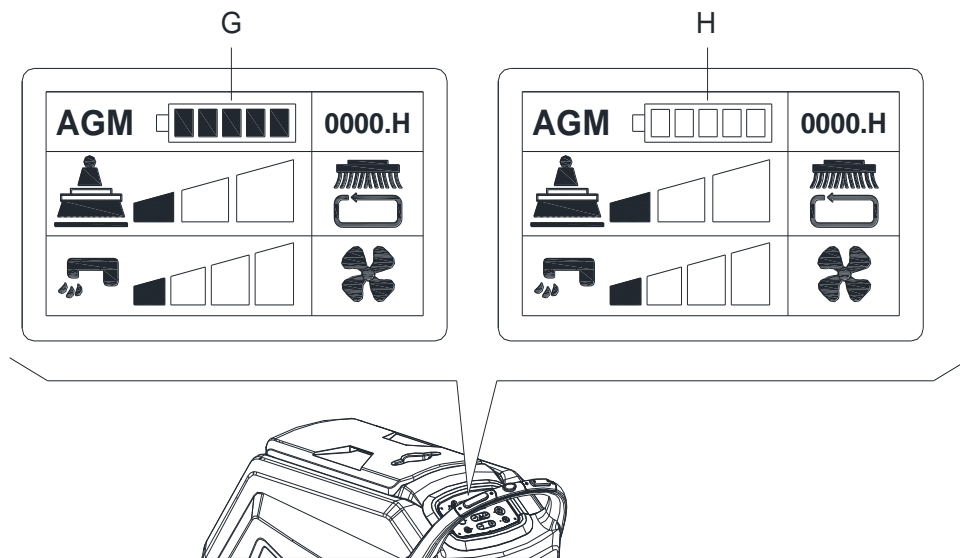


Figure 8



#### CAUTION!

When the batteries are discharged, charge them as soon as possible, as that condition makes their life shorter. Check for battery charge at least once a week.

**BRUSH/PAD-HOLDER INSTALLATION AND REMOVAL (only for disc machine)****NOTE**

Install either the brush (A, Figure 9) or pad-holder (B and C, Figure 9) according to the type of floor to be cleaned.

**CAUTION!**

Before installation or removal of brush or pad-holder, make sure all the switches on machine are in off position and the squeegee is lifted off the floor. The operator must be equipped with suitable personnel protection devices, such as gloves to reduce the risk of accidents.

Proceed as following:

**INSTALLATION:**

1. Insert the ignition key (42, Figure 3) and turn it to "I". Lift the deck. Turn off the machine by removing the ignition key (42).
2. Turn the speed adjuster (47) to idle by turning it counter-clockwise.
3. Place the brushes (A, Figure 9) or the pad-holder (B) under the deck.
4. Use the manual method by turning the brush/pad-holder in the direction opposite to the normal turning direction, and it can be installed. (as shown in Figure 9)

**REMOVAL:**

1. Insert the ignition key (42, Figure 3) and turn it to "I". To remove the brush/pad-holder lift the deck by pressing the Brush/pad-holder release button (44), the brush/pad-holder will be automatically released.

**PAD INSTALLATION AND REMOVAL (only for orbital machine)**

1. Insert the ignition key (42, Figure 3) and turn it to "I". Lift the deck. Turn off the machine by removing the ignition key.
2. Use the manual method to install or remove the pad as (Figure 10)

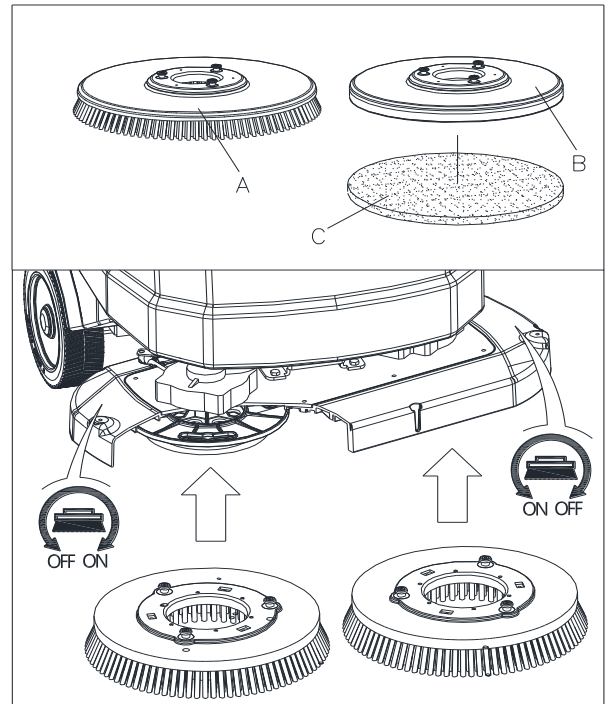


Figure 9

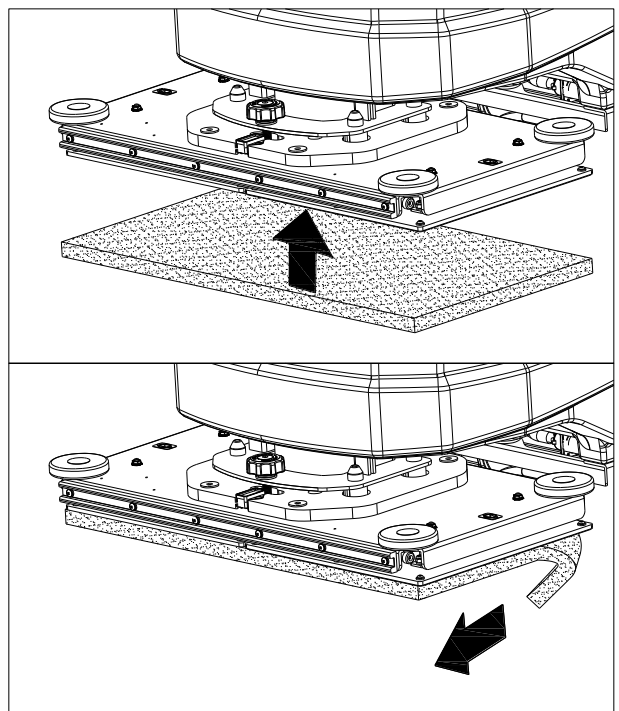
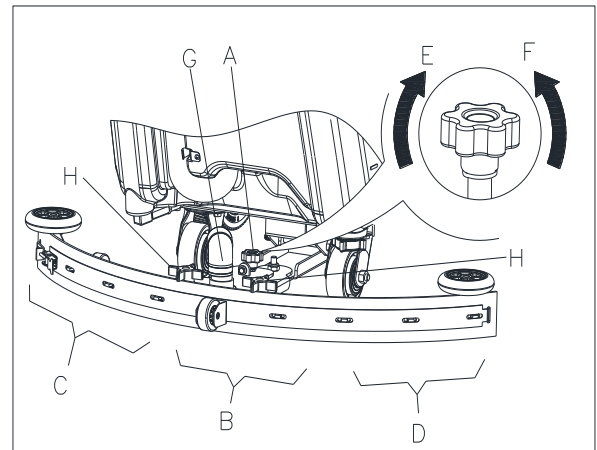


Figure 10

**ADJUSTING THE BALANCE OF SQUEEGEE**

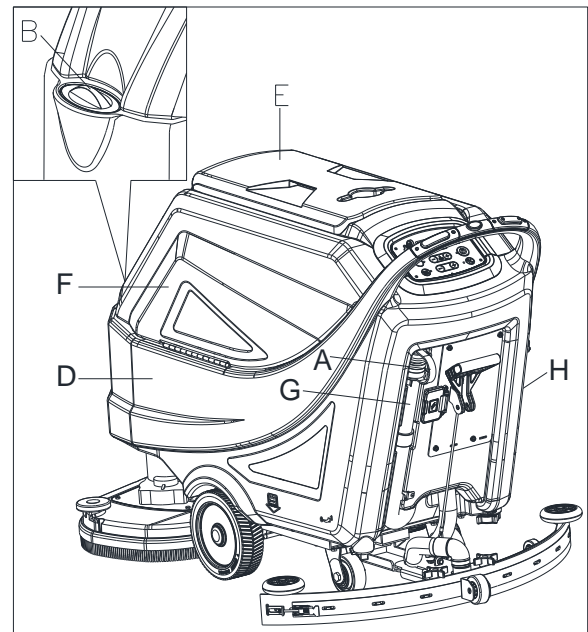
1. Install the squeegee and tighten up the nuts (H, Figure 11), then connect the vacuum hose (G) to the squeegee.
2. Adjust the squeegee by squeegee adjusting handle (A, Figure 11).
  - a) If there is gap between the ground and middle *section* of rear squeegee blade (B), adjust the knob (A) in counterclockwise direction (F) until all sections of the rear squeegee blade make good contact with the ground, the front blade touches the ground slightly.
  - b) If there is gap between the ground and both end section of rear blade (C and D), adjust the knob (A) in clockwise direction (E) until all sections of the rear squeegee blade make good contact with the ground, the front blade touches the ground slightly.

**Figure 11****FILLING SOLUTION TANK**

1. Open the water inlet cover (B, Figure 12).
2. Fill with water or solution suitable for work performance through the water inlet with filter.  
The solution temperature must not exceed +104F (+40°C).
3. Do not overfill the tank, refer to water level indicator (H) for the water volume.

**WARNING!**

Use only low-foam and non-flammable detergents, intended for automatic scrubber applications.

**Figure 12****MACHINE START AND STOP****Starting the machine**

1. Prepare the machine as shown in the previous paragraph.
2. Insert the ignition key (A, Figure 13) and turn it to "I". Check Batteries status from display screen. If necessary charge the batteries (see the procedure in Maintenance chapter).
3. Drive the machine to the working area:
  - By pushing either safety switch (F) to move forward or pressing the safety switch (F) together with the reverse switch (G) to move backward. The forward speed can be adjusted with the adjuster (H).
4. Lower the squeegee (I) with the Squeegee lifting/lowering handle (J).
5. Lower the brush/pad-holder deck (K) by pressing the one button start (L)
6. Press the solution flow control buttons (O) as necessary, depending on the type of cleaning to be performed.
7. Start cleaning:
  - Press either safety switch (F) to activate the machine drive. If necessary, the forward speed can be adjusted with the adjuster (H).



**NOTE**

To move the machine forward, press either the left or right safety switch (F, Figure 13) or both.

**Stopping the machine**

1. Stop the machine by releasing the safety switches (F, Figure 13)
2. The brushes stop. The vacuum system stops after a few seconds.
3. Lift the brush/pad-holder deck (K) by pressing the one button start (L).
4. Lift the squeegee (I) with the Squeegee lifting/lowering handle (J).
5. Turn the ignition key (A) to "0".
6. Make sure that the machine cannot move independently.

**MACHINE OPERATION (SCRUBBING AND DRYING)**

1. Start the machine as shown in previous paragraphs.
2. While pressing either safety switch (35, Figure 2), maneuver the machine and start scrubbing/drying the floor.
3. If necessary, stop the machine then adjust squeegee according to section "Adjusting balance of squeegee".

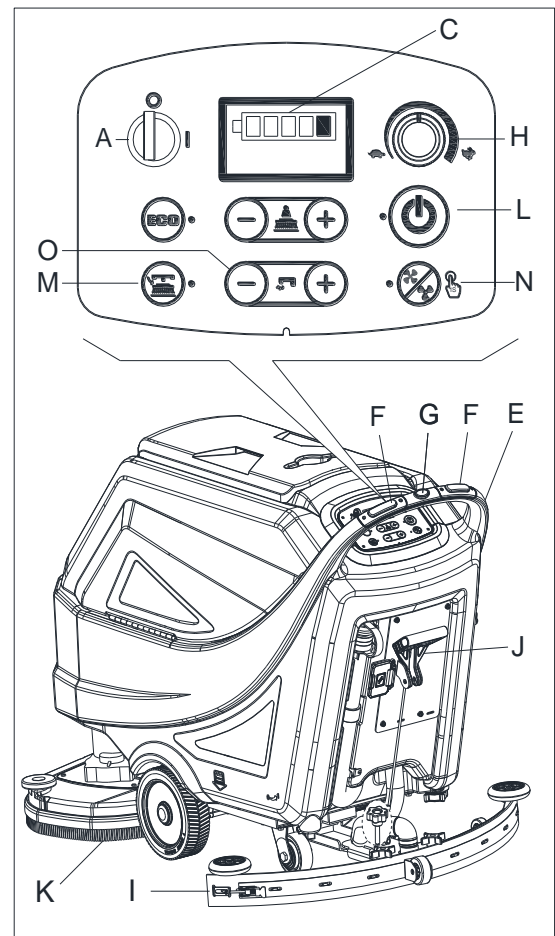


Figure 13

**ADJUSTING THE LEVEL OF ORBITAL DECK (ONLY FOR ORBITAL MACHINE)**

1. Insert the ignition key (42) and turn it to "I".
2. Lower the brush/pad-holder deck (25) by pressing the one button start (48)
3. Adjust the level of orbital deck by adjusting handle (A, Figure 14) so that the bubble is in the center (B Figure 14).

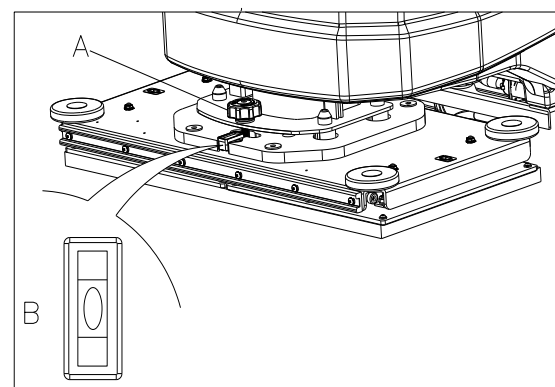


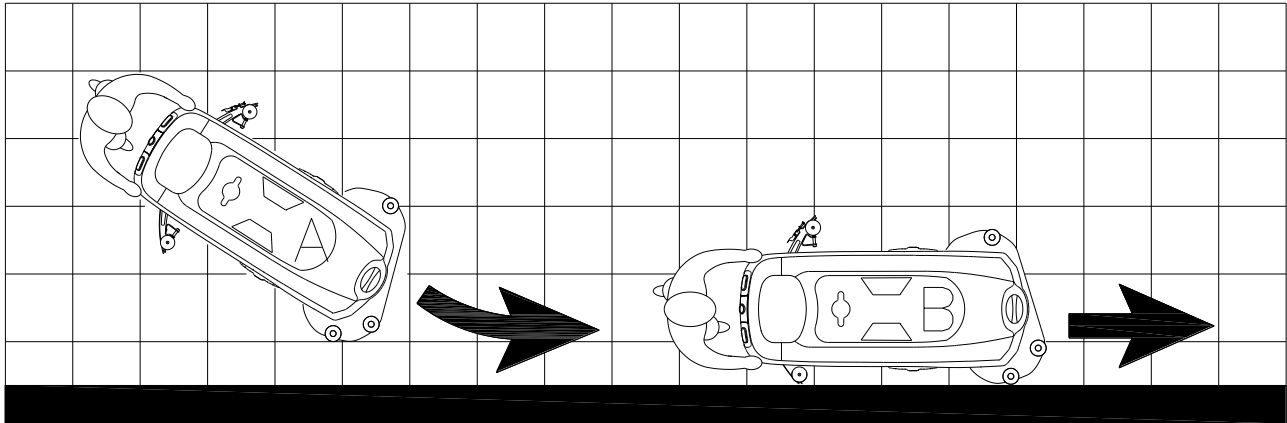
Figure 14

**NOTE**

For correct scrubbing/drying of floors at the sides of the walls. It is suggested to go near the walls with the right side of the machine (A and B, Figure 15) as shown in the figure.

**CAUTION!**

To avoid any damage to the floor surface, turn off the brushes/pad-holders when the machine stops in one place.



**Figure 15**

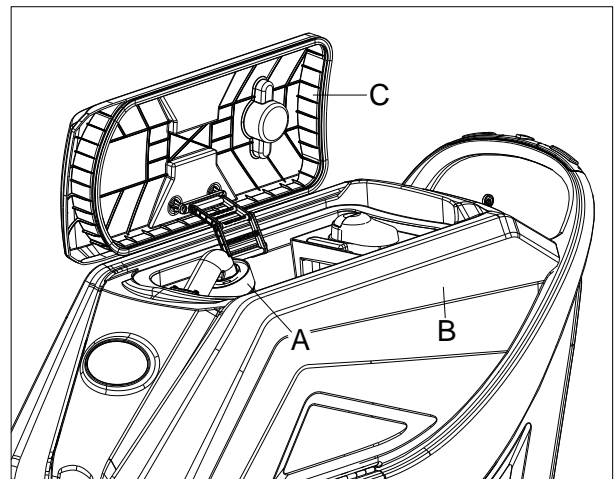
**TANK EMPTYING**

An automatic float shut-off system (A, Figure 16) blocks the vacuum system when the recovery water tank (B) is full. The vacuum system deactivation is signaled by a sudden increase in the vacuum system motor noise frequency, also the floor has not dried.

**CAUTION!**

If the vacuum system turns off accidentally (for example, when the float is activated because of a sudden machine movement), to resume the operation: turn off the vacuum system by pressing the switch (49, Figure 3), then open the cover (C, Figure 16) and check that the float inside the grid (A) has gone down to the water level. Then close the cover (C) and turn on the vacuum system by pressing the switch (49, Figure 3).

When the recovery water tank (B, Figure 16) is full, empty it according to the following procedure.



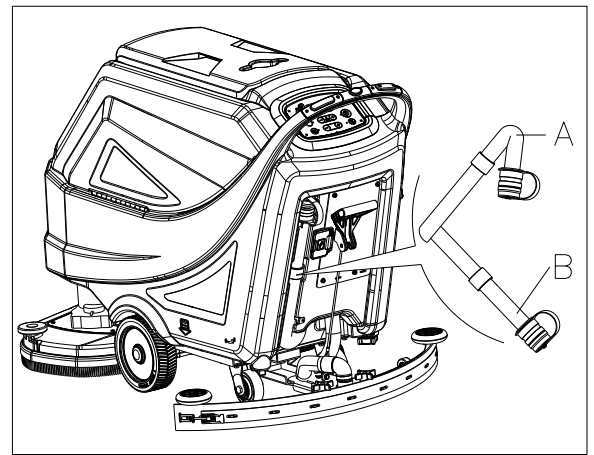
**Figure 16**

**Recovery water tank emptying**

1. Stop the machine.
2. Lift the brush/pad-holder deck (25, Figure 1) by pressing the one-button start (49, Figure 3) or restart the machine by Ignition key (42, Figure 3).
3. Lift the squeegee (11, Figure 1) with the squeegee lifting/lowering handle (39, Figure 2).
4. Drive the machine to the appointed disposal area.
5. Empty the recovery water tank with the hose (A, Figure 17). Then, rinse the tank (B, Figure 16) with clean water.

**CAUTION!**

When draining the wastewater, the vacuum tube for waste must be folded (A, Figure 17) and lowered to a lower position (B, Figure 17), and then open the lid of the vacuum tube for waste to drain the water. Do not make the outlet of the vacuum tube for waste face upward to drain the water vertically. This is to avoid wastewater spilling onto the operator.

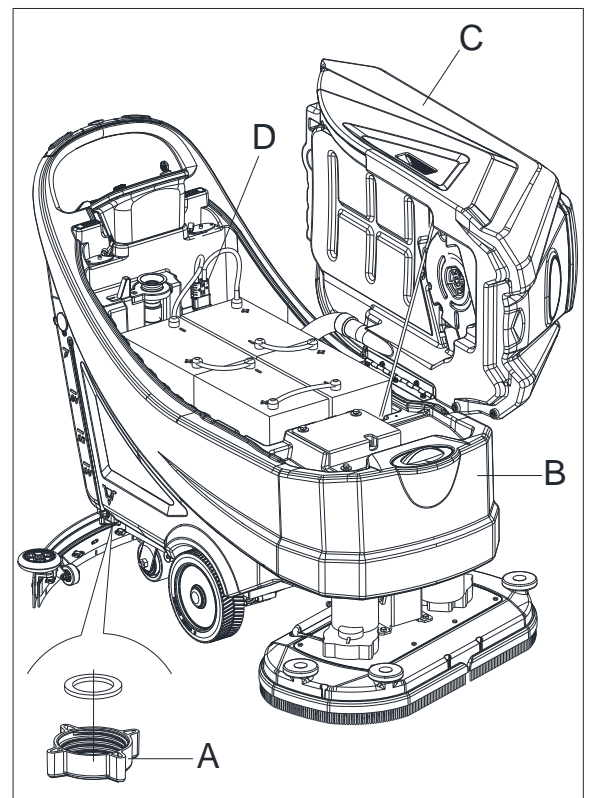
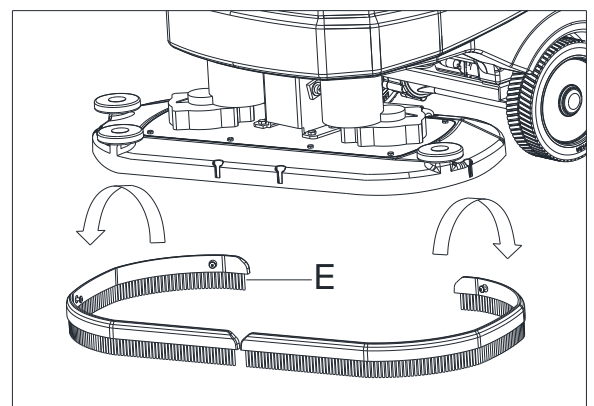
**Figure 17****Solution/clean water tank emptying**

1. Empty the solution tank with the outlet cover (A, Figure 18). After working, rinse the tank with clean water.

**AFTER USING THE MACHINE**

After working, before leaving the machine:

1. Remove the brushes/pad-holders by pressing the release button (44, Figure 3) and clean them (only for disc machine).
2. Remove the splash guard as (E, Figure 19) and cleaning it. (only for disc machine)
3. Remove the Pad and clean it. (only for orbital machine)
4. Empty the tanks (B and C, Figure 18) as shown in the previous paragraph.
5. Perform the daily maintenance procedures (see the Maintenance chapter).
6. Store the machine in a clean and dry place, with the brushes/ pad-holders and the squeegee lifted or removed.

**Figure 18****Figure 19**

**MACHINE STORAGE DURING LONG INACTIVITY**

If the machine is not going to be used for more than 30 days, proceed as follows:

1. Perform the procedures shown in After Using the machine paragraph.
2. Disconnect the battery connector (29, Figure 2).

**FIRST PERIOD OF USE**

After the first 8 hours, check the machine fastening and connecting parts for proper tightening and check the visible parts for wear and leakage.

**MAINTENANCE****WARNING!**

**Maintenance procedures must be performed after the machine is turned off and the battery charger cable is disconnected. In addition, carefully read the safety chapters in the manual.**

All scheduled or extraordinary maintenance procedures must be performed by qualified personnel or an authorized Service Center. This manual only describes the general and common maintenance procedures.

For other maintenance procedures that are not in below maintenance schedule table, please refer to the Service Manual that can be consulted at any our company Service Center.

**SCHEDULED MAINTENANCE TABLE****CAUTION!**

**The procedure marked with (1) must be performed when the machine is used after 8 hours for the first time. The procedure marked with (2) must be done by Service Center that qualified by our company.**

Procedure	Daily, after each use	Weekly	semiannually	Yearly
Battery charging				
Squeegee cleaning				
Brush/Pad-holder cleaning				
Tank cleaning				
Tank sealing strip inspection				
Float ball filter cleaning				
Pad cleaning				
Splash guard cleaning (only for disc machine)				
Squeegee blade check and replacement				
Cleaning water filter cleaning				
Suction filter cleaning				
WET battery fluid level check				
Screw and nut tightness inspection			(1)	
Lower Isolator (only for orbital machine)			(2)	
Brush motor carbon brush check or replacement				(2)
Vacuum motor carbon brush check or replacement				(2)
Drive system motor carbon brush check or replacement				(2)

**BATTERY CHARGING****NOTE**

Charge the batteries when the battery is low.

**CAUTION!**

Keeping the batteries charged make their life last longer.

**CAUTION!**

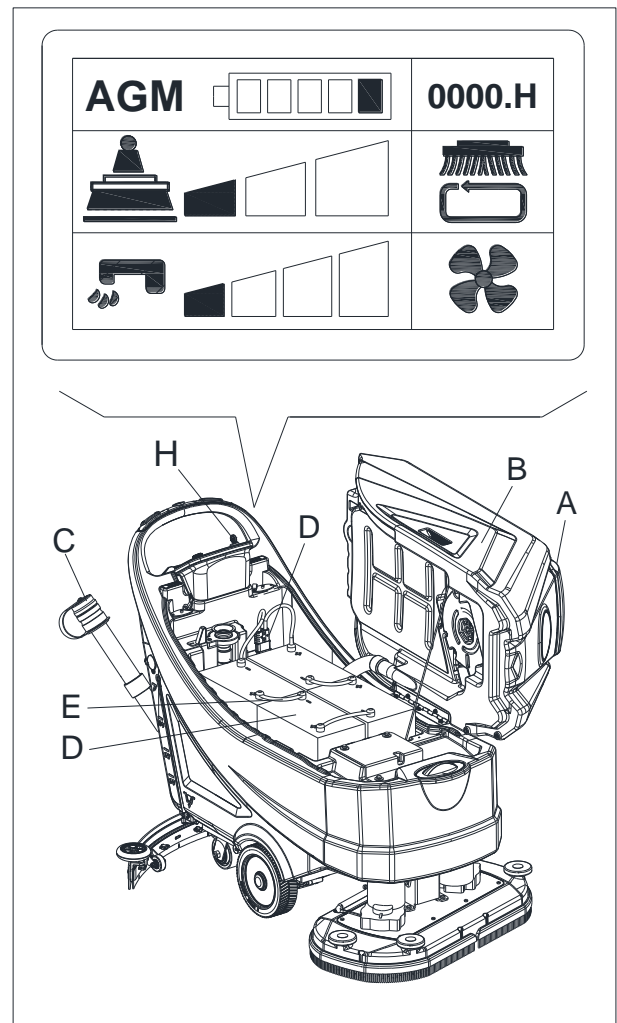
When the batteries are discharged, charge them as soon as possible, as that condition makes their life shorter. Check for battery charge at least once a week.

**WARNING!**

WET battery charging produces highly explosive hydrogen gas. Charge the batteries in well-ventilated areas and away from naked flames. Do not smoke while charging the batteries. Keep the tank open while charging the batteries.

**WARNING!**

Pay careful attention when charging the batteries as there may be battery fluid leakages. The battery fluid is corrosive. If it comes in contact with skin or eyes, rinse thoroughly with water and consult a physician.

**Figure 20****Preliminary procedures**

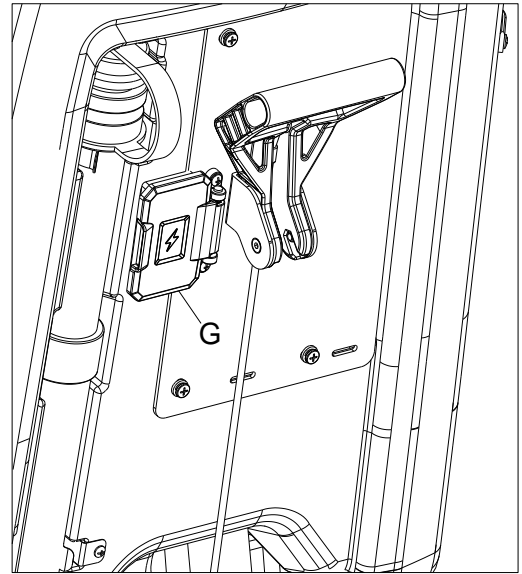
1. Open the cover (A, Figure 20) and check that the recovery water tank (B) is empty, otherwise empty it with the drain hose (C).
2. Drive the machine on a level floor.
3. Turn the ignition key (H) to "0".
4. Carefully lift the tank (B).
5. Charge the batteries according to the following procedure.

**Battery charging (The machine with off-board charger)**

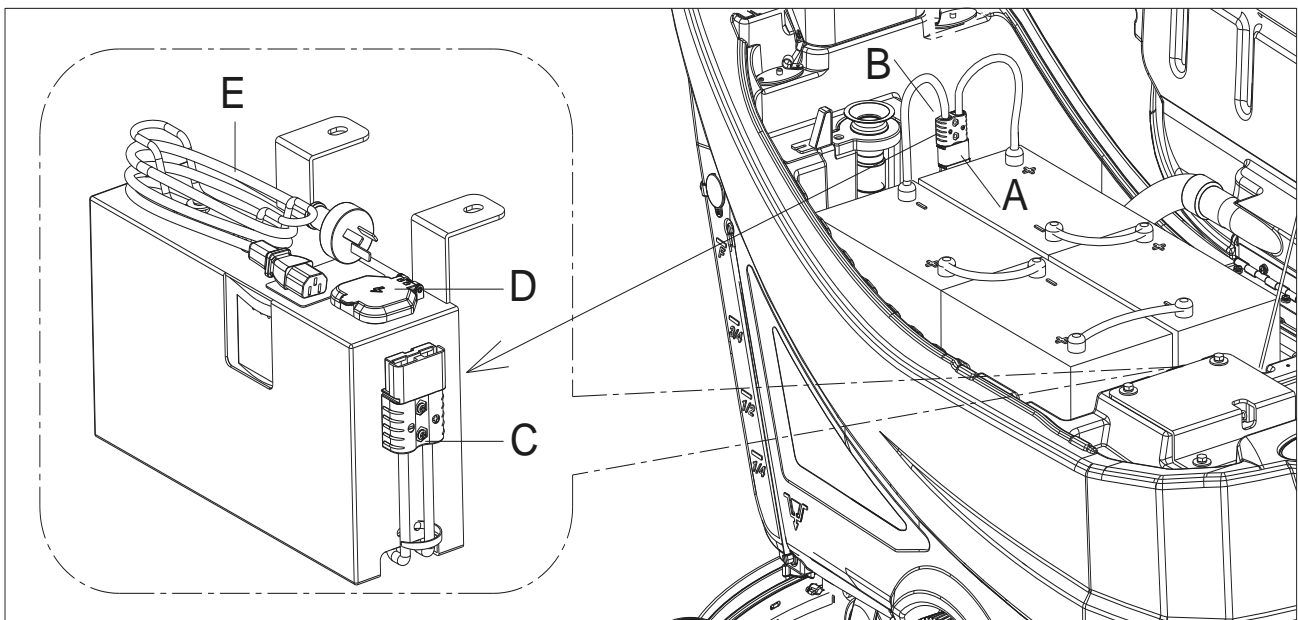
6. Connect the battery charger cable to the electrical mains (G, Figure 21) (the electrical mains voltage and frequency must be compatible with the battery. When the battery charger is connected to the electrical mains, all machine functions are automatically cut off).
7. When the battery charging is completed, disconnect the battery charger cable from the electrical mains (G).
8. Electrolyte levels should be checked after the batteries are charged.
9. Insert the ignition key (42) and turn it to "I". Check the status of batteries on display screen (B, Figure 3)
10. Carefully lower the tank.

**NOTE**

**If the machine is not equipped with on-board battery charger, please choose an external battery charger suitable for the type of batteries installed.**

**Figure 21****Battery charging (The machine with on-board charger) (\*)**

1. Change the battery connections (B, Figure 22) from (A) to (C).
2. Connect the battery charging cable (E) to (D) and connect the other end of the cable to the electrical outlet.
3. When the battery charging is completed, the green warning light on the charger turns on. Disconnect the battery charger cable (E) and Change the battery connections (B) from (C) to (A).
4. Electrolyte levels should be checked after the batteries are charged.
5. Insert the ignition key (42, Figure 3) and turn it to "I". Check the status of batteries on display screen (B, Figure 3)
6. Carefully lower the tank.

**Figure 22**



**BRUSH/PAD CLEANING****CAUTION!**

It is advisable to use protective gloves when cleaning the brush/pad because there may be sharp debris.

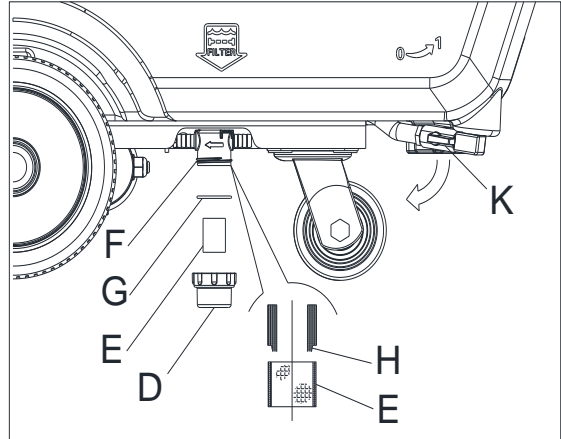
1. Remove the brush/pad from the machine, as shown in the Use chapter.
2. Clean and wash the brush/pad with water and detergent.
3. Check that the brushes/pads are in working condition and not excessively worn; if necessary replace them.

**SOLUTION FILTER CLEANING**

1. Drive the machine a level section of floor.
2. Ensure that the machine is off and the ignition key (42, Figure 3) has been removed.
3. Empty the solution tank or turn off the tap (K, Figure 23)
4. Remove the transparent cover (D), then remove the filter strainer (E). Clean and install them on the support (F).

**NOTE**

The filter strainer (E) must be correctly positioned on the housing (H) of the support (F).

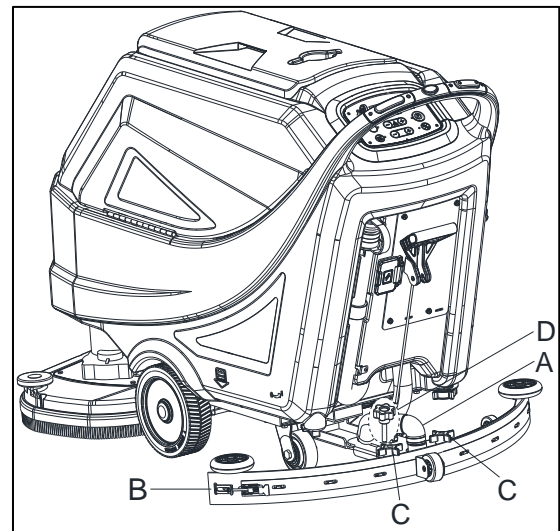
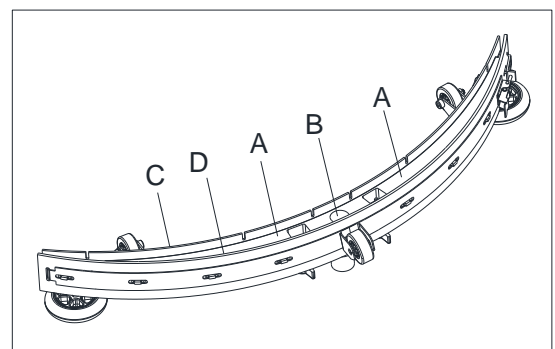
**Figure 23****SQUEEGEE CLEANING****NOTE**

The squeegee must be clean, and its blades must be in good conditions in order to get good drying action.

**CAUTION!**

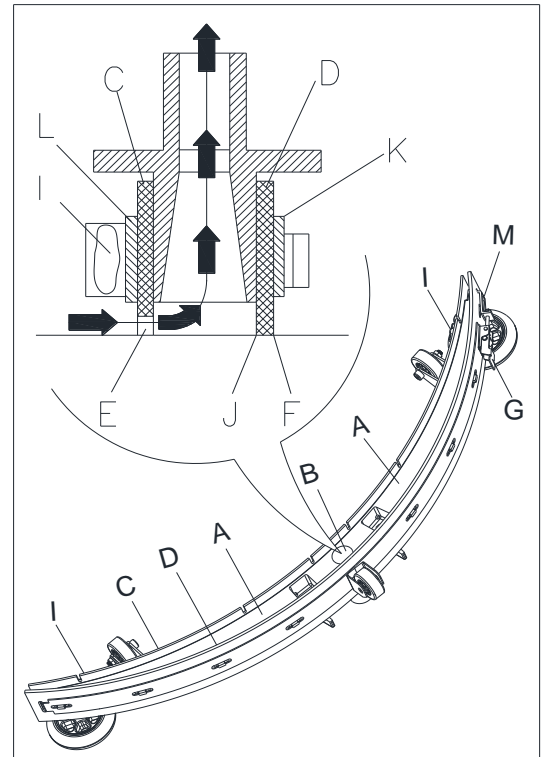
It is advisable to wear protective gloves when cleaning the squeegee because there may be sharp debris.

1. Drive the machine to a level section of floor.
2. Turn the ignition key (42, Figure 3) to "0".
3. Lower the squeegee (11, Figure 1) with the squeegee lifting/lowering handle (39, Figure 2).
4. Loosen the knobs (C, Figure 24) and remove the squeegee (B).
5. Disconnect the vacuum hose (A) from the squeegee.
6. Clean the steel or aluminum squeegee (Figure 25). Clean the compartments (A) and the hole (B) especially. Check the front blade (C) and the rear blade (D) for integrity, cuts and tears; if necessary replace them (see the procedure in the following paragraph).
7. Assemble the squeegee in the reverse order of disassembly.

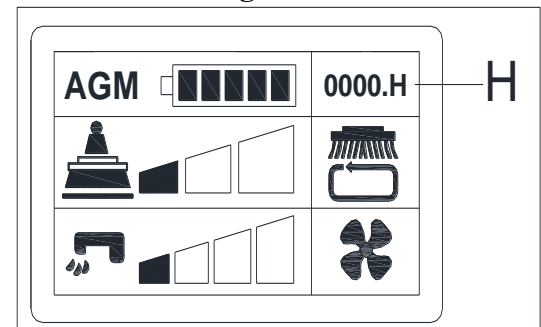
**Figure 24****Figure 25**

**SQUEEGEE BLADE CHECK AND REPLACEMENT**

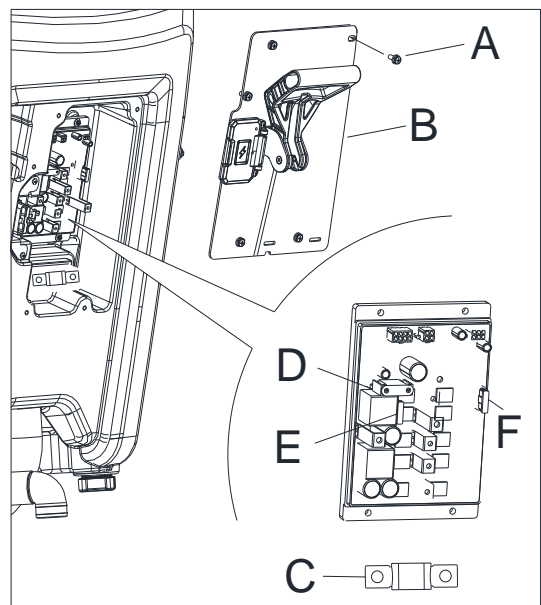
1. Clean the steel or aluminum squeegee, as shown in the previous paragraph.
2. Check that the edges (E, Figure 26) of the front blade (C) and the edges (F) of the rear blade (D) lay down on the same level, along their length; if necessary adjust their height according to the following procedure:
  - Remove the tie rod (G), disengage the fasteners (M) and adjust the rear blade (D), then engage the fasteners (M) and install the tie rod (G).
  - Loosen the knobs (I) and adjust the front blade (C), then tighten the knobs.
3. Check the front blade (C) and rear blade (D) for wear, cuts and tears; if necessary replace them according to the following procedure. Check that the front edge (J) of the rear blade (D) is not worn; if necessary, turn the blade over to replace the worn edge with an integral one. If the other edges are worn too, replace the blade according to the following procedure:
  - Remove the tie rod (G), disengage the fasteners (M) and remove the retaining strip (K), then replace the rear blade (D). Assemble the blade in the reverse order of disassembly.
  - Unscrew the knobs (I) and remove the retaining strip (L), then replace the front blade (C). Assemble the blade in the reverse order of disassembly. After the blade replacement (or turning over), adjust the height as shown in the previous step.
4. Connect the vacuum hose (A, Figure 24) to the squeegee.
5. Install the squeegee (B) and screw down the knobs (C).
6. If necessary, adjust the squeegee balance adjusting knob (D).

**Figure 26****MACHINE HOUR CHECK**

1. Turn the ignition key (42, Figure 3) to "I".
2. Press the switch (35, Figure 2), the hour meter begins to work and it at the same time shows the total number of working hours (H, Figure 27) on the display screen.
3. Release the switch (35).
4. Turn the ignition key (42) to "0".

**Figure 27****FUSE CHECK/REPLACEMENT**

1. Turn the ignition key (42, Figure 3) to "0".
2. Disconnect the Battery connector (red) (29, Figure 2) from the electrical mains.
3. Remove the screws (A, Figure 28) on control box cover (B).
4. Check/replace the following fuses:
  - a) F1 fuse (D, Figure 28), brush fuse(80A)
  - b) F2 fuse (E, Figure 28), vacuum fuse(40A)
  - c) F3 fuse (F, Figure 28), control board fuse(2A)
  - d) F4 fuse (C, Figure 28), main fuse(100A)

**Figure 28**



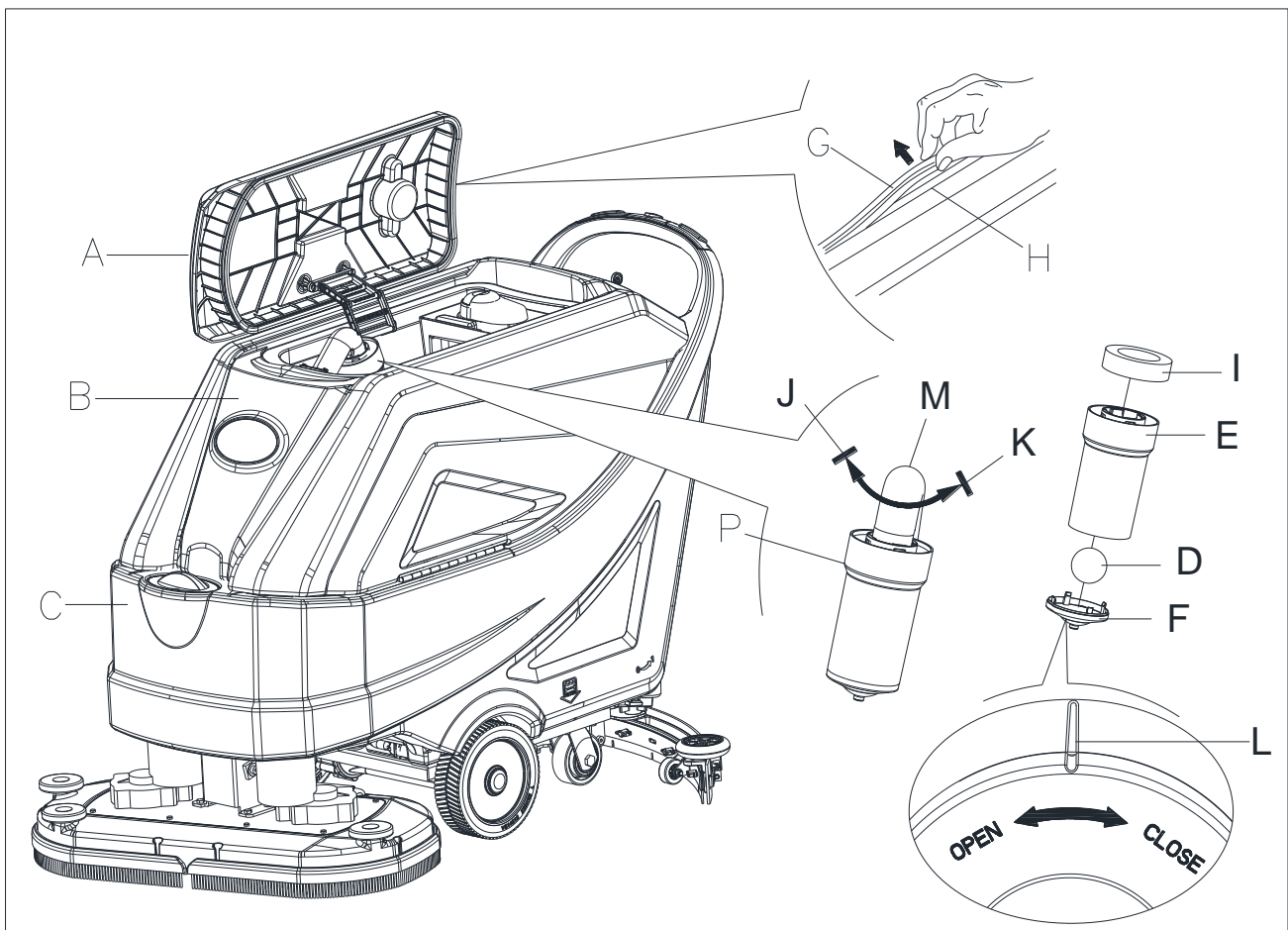
**TANK AND BALL FLOAT CLEANING, AND COVER GASKET CHECK**

1. Drive the machine on a level floor.
2. Ensure that the machine is off and the ignition key (42, Figure 3) has been removed.
3. Open the recovery tank lid (A, Figure 29) to a 90degree position, and then remove the ball float filter (P) from the tank.
4. Clean the recovery tank lid (A), recovery tank (B), and the float ball filter support frame (E). Empty the recovery tank with the drain hose.
5. If necessary, follow the symbols “OPEN” and “CLOSE” as shown in (Figure 29) to open the bottom cover (F) of float ball filter and then clean the float ball (D), filter support frame (E) and filter sponge (I). After cleaning, fix the float ball (D) into the filter support frame (E) and then align the mark groove (L) of the bottom cap (F) of the float ball filter with the mark groove (L) of the float filter support frame (E). Screw the bottom cap of the float ball filter tight, and fix the filter sponge (I) onto the float filter support frame (E). Finally, connect it to the vacuum standpipe (M).
6. Inspect the integrity of the tank sealing strip.

**NOTE**

**Tank sealing strip (G) is critical to produce the suction inside the tank when the vacuum motor works. The tank must be sealed so it can effectively move the water from the ground to recovery tank.**

7. Check whether the contact surface of sealing strip (G) is good condition and sealing is sufficient. If necessary, take the sealing strip of the tank out of the groove (H) and replace it. Assembly the new sealing strip as shown in (Figure 29), the joint should be back in the middle area.
8. Close the recovery tank lid (A).



**Figure 29**

**ACCESSORIES/OPTIONS**

In addition to the standard components, the machine can be equipped with the following accessories/options, according to the machine specific use:

For further information concerning the above-mentioned optional accessories, contact an authorized Retailer.

**ACCESSORIES/OPTIONS**

See "Parts List" section

1. Brush of different materials
2. Battery tray
3. On-board charger
4. Blade of different materials

**TROUBLESHOOTING**

Trouble	Probable causes	Remedy
The motors do not work, error code on display	The battery connector is disconnected.	Connect the battery connector.
	The batteries are completely discharged.	Charge the batteries.
	Error code see the table	Restart the machine
The machine does not move	The machine has been turned on by using the ignition key and by keeping one of the switches pressed.	Turn the ignition key to "0", then try to start the machine again without pressing the switches.
The recovery water vacuuming is insufficient.	The recovery water tank is full.	Empty the tank.
	The hose is disconnected from the squeegee.	Connect.
	The vacuum grid is clogged or the float is stuck closed.	Clean the grid or check the float.
	The squeegee is dirty or the squeegee blades are worn or damaged.	Clean and check the squeegee.
	The tank cover is not properly closed, or the gasket is damaged, or the standpipe tube is clogged.	Close the cover correctly, or replace the gasket or clean the Bend tube.
	The vacuum hose is clogged.	Clean.
The solution flow to the brushes is insufficient.	The solution/clean water filter is dirty.	Clean the filter.
The squeegee leaves marks on the floor.	There are debris under the squeegee blades.	Remove the debris.
	The squeegee blades are worn, chipped or torn.	Replace the blades.
	The squeegee has not been adjusted with the knob.	Adjust.

**NOTE**

**If the machine is installed with the optional on-board charger, and when the on-board charger is defective, the machine can not be operated. In case of battery charger malfunction, contact an authorized Service Center.**

**ERROR CODE OF DISPLAY**

<b>Error#</b>	<b>Error Description</b>	<b>Notes</b>
Error 1	Valve Overload	Valve short or overload
Error 2	Brush Motor Overload	Brush motor short or overload
Error 3	Vacuum Motor Overload	Vacuum motor short or overload
Error 4	Traction Motor Overload	Traction motor short or overload
Error 5	Brush Deck Motor Overload	Brush deck motor short or overload
Error 6	Battery Low	Low battery voltage
Error 7	Brush Motor Open	Brush motor is open
Error 8	Vacuum Motor Open	Vacuum motor is open
Error 9	Valve Open	Water valve is open
Error 11	Change Traction Motor Carbon	Remind user to change traction motor carbon
Error 12	Change Brush Motor Carbon	Remind user to change brush motor carbon
Error 13	Change Vacuum Motor Carbon	Remind user to change vacuum motor carbon
Error 14	Controller EEPROM Error	EEPROM error or parameter setting error
Error 15	Panel EEPROM Error	EEPROM error or parameter setting error
Error 16	Communication Error	Communication wire broken Wrong wiring Controller power off
Error 17	Controller Self-Test NG	Accelerator fault Internal relay welded Mosfet or other hardware fault
Error 18	Controller Overheat	Controller over heat Mosfet overheat
Error 19	Battery High	battery >34V
Error 20	Machine Sleep Mode	Machine enter sleep mode, must cycle power to recover
Error 27	Water Pump Error	Water pump short or overload
Error 31	Speed Potentiometer broken or Mismatch	Speed potentiometer is out of range(100+/-20K)
Error 34	Machine Locked	Machine is locked (IoT module function)
Error 35	IoT module Missing	IoT module is missing (IoT module function is enabled)
Error 37	Safety SW SRO	Push safe button before the key on

**NOTE**

**When the screen displays an error code. Restart the machine by Ignition key (42, Figure 3). If the error can not be eliminated . Please contact our company service center.**

**SCRAPPING**

Scrap the machine by the qualified waste treatment institution.

Before the machine is scrapped, please take away and segregate below subassembly that relevant laws and regulations request must be disposed in appropriate way.

- Battery
- Brush/Pad-holder
- Plastic hose and plastic parts
- Electrical and electronic components (\*)

(\*) Please contact our company service center destroying any electrical and electronic components.

**Machine material composition and recyclability**

Type	Recyclable percentage	AS6690T/AS7690T weight percentage%	AS7190TO weight percentage%
Aluminium	100%	2%	4%
Electric motors-various	29%	23%	15%
Ferrous materials	100%	32%	42%
Wiring harness	80%	1%	1%
Liquids	100%	0%	0%
Plastic-non-recyclable material	0%	1%	1%
Plastic-recyclable material	100%	38%	34%
Rubber	20%	3%	3%

## TABLE DES MATIÈRES

<b>INTRODUCTION</b> .....	<b>32</b>
BUT ET CONTENU DU GUIDE .....	32
COMMENT CONSERVER CES INSTRUCTIONS D'UTILISATION .....	32
DÉCLARATION DE CONFORMITÉ.....	32
ACCESSOIRES ET ENTRETIEN .....	32
CHANGEMENT ET AMÉLIORATION .....	32
CHAMP D'APPLICATION .....	32
DONNÉES D'IDENTIFICATION DE LA MACHINE .....	32
TRANSPORT ET DÉBALLAGE.....	33
<b>SÉCURITÉ</b> .....	<b>33</b>
SYMBOLES VISIBLES SUR LA MACHINE .....	33
SYMBOLES UTILISÉS DANS CES INSTRUCTIONS D'UTILISATION .....	33
CONSIGNES GÉNÉRALES DE SÉCURITÉ.....	34
<b>DESCRIPTION DE LA MACHINE</b> .....	<b>36</b>
STRUCTURE DE LA MACHINE .....	36
PANNEAU DE COMMANDE.....	38
DESCRIPTION DE MODE DE TRAVAIL.....	39
DIMENSIONS DE LA MACHINE .....	41
CARACTERISTIQUES TECHNIQUES .....	42
SCHÉMA DE CÂBLAGE .....	43
<b>GUIDE D'UTILISATION</b> .....	<b>44</b>
VÉRIFICATION/RÉGLAGE DE LA BATTERIE SUR UNE NOUVELLE MACHINE .....	44
INSTALLATION DES BATTERIES ET RÉGLAGE DU TYPE DE BATTERIE (AVEC ENTRETIEN OU GEL/AGM).....	45
POSE ET DÉPOSE DE BALAI/SUPPORT DISQUE .....	47
POSE ET DÉPOSE DE DISQUE .....	47
AJUSTEMENT DE L'ÉQUILIBRE DE L'EMBOUCHURE .....	48
REMPLISSAGE DU RÉSERVOIR DE SOLUTION .....	48
DÉMARRAGE/ARRÊT DE LA MACHINE .....	48
FONCTIONNEMENT DE LA MACHINE (BROSSAGE ET SÉCHAGE) .....	49
RÉGLAGE DU NIVEAU DE PLATEAU ORBITAL (UNIQUEMENT POUR LES MACHINES ORBITALES) .....	49
VIDANGE DU RÉSERVOIR .....	50
APRÈS UTILISATION DE LA MACHINE .....	51
STOCKAGE DE MACHINE PENDANT UNE LONGUE INACTIVITÉ .....	52
PREMIÈRE PÉRIODE D'UTILISATION .....	52
<b>ENTRETIEN</b> .....	<b>52</b>
TABLE D'ENTRETIEN PRÉVU .....	52
CHARGEMENT DE LA BATTERIE.....	53
NETTOYAGE DE LA BROSSE/DU DISQUE.....	55
NETTOYAGE DU FILTRE DE SOLUTION .....	55
NETTOYAGE DE L'EMBOUCHURE .....	55
VÉRIFICATION ET REMPLACEMENT DE LA LAMELLE DE L'EMBOUCHURE .....	56
CONTRÔLE DES HEURES DE FONCTIONNEMENT DE LA MACHINE.....	56
VÉRIFICATION / REMPLACEMENT DU FUSIBLE .....	56
NETTOYAGE DU RÉSERVOIR ET DU FLOTTEUR, VÉRIFICATION DU JOINT DE COUVERCLE.....	57
ACCESSOIRES/OPTIONS .....	58
<b>DÉPANNAGE</b> .....	<b>58</b>
<b>CODE D'ERREUR DE L'ÉCRAN</b> .....	<b>59</b>
<b>RECYCLAGE</b> .....	<b>60</b>

## INTRODUCTION



### REMARQUE

Les chiffres entre parenthèses renvoient aux éléments présentés dans le chapitre Description de la Machine.

## BUT ET CONTENU DU GUIDE

Le but de ces instructions d'utilisation est de fournir à l'opérateur toutes les informations de base et les caractéristiques techniques, les conditions de fonctionnement, d'inactivité, les pièces détachées et les conditions de sécurité de la machine, etc.

Avant d'effectuer toute opération sur la machine, les opérateurs et les techniciens qualifiés doivent lire les Instructions d'utilisation. Contacter notre société en cas de doutes concernant l'interprétation des instructions ou pour toute information complémentaire.

## COMMENT CONSERVER CES INSTRUCTIONS D'UTILISATION

Les instructions d'utilisation doivent être conservées près de la machine, dans une pochette spéciale, à l'écart des liquides et d'autres substances susceptibles de l'abîmer.

## DÉCLARATION DE CONFORMITÉ

La déclaration de conformité est fournie avec la machine et certifie la conformité de la machine rapport à la loi en vigueur.



### REMARQUE

Les copies de la déclaration originale de conformité sont fournies avec la documentation de la machine.

## ACCESSOIRES ET ENTRETIEN

Toutes les opérations nécessaires, des procédures d'entretien et de réparation doivent être effectuées par un personnel qualifié ou par le centre d'entretien désigné de notre société. SEULS les pièces détachées et les accessoires autorisés devraient être utilisés.

Contacter le service à la clientèle de notre société pour tout service ou achat d'accessoires ou pièces détachées si nécessaire.

## CHANGEMENT ET AMÉLIORATION

Nous nous engageons à l'amélioration continue de nos produits. La société se réserve le droit de modifier et d'améliorer la machine sans informations supplémentaires.

## CHAMP D'APPLICATION

L'autolaveuse s'applique à l'usage commercial et industriel. Elle convient pour le nettoyage de sols lisses et fermes et doit être manipulée par mesure de sécurité par une personne qualifiée. Elle ne convient pas pour une utilisation en extérieur ou pour le nettoyage de la moquette ou des revêtements de sol rugueux.

## DONNÉES D'IDENTIFICATION DE LA MACHINE

Le numéro de série et le nom du modèle de la machine sont indiqués sur l'étiquette de série.

Ces informations sont utiles. Utiliser le tableau suivant pour noter les données d'identification de la machine, lors de communication nécessitant des pièces de rechange pour la machine.

MODÈLE DE LA MACHINE.....
NUMÉRO DE SÉRIE DE LA MACHINE.....

**TRANSPORT ET DÉBALLAGE**

Lorsque le transporteur livre la machine, s'assurer que l'emballage et la machine sont à la fois intacts et en bon état. En cas de dommages, informer le transporteur des dommages avant d'accepter les marchandises afin de se réserver le droit à la réparation des dommages.

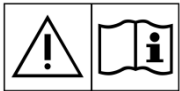
Suivre attentivement les instructions sur l'emballage, lors du déballage de la machine.

Vérifier l'emballage pour assurer que les éléments suivants sont inclus :

1. Documentation technique - Instructions d'utilisation et nomenclature des pièces détachées.
2. Composants de connexion de la batterie.
3. Manuel du chargeur électronique de la batterie (selon les modèles) (\*)

**SÉCURITÉ**

Les symboles suivants indiquent les situations potentiellement dangereuses. Toujours lire attentivement ces informations et prendre toutes les précautions nécessaires pour protéger les personnes et les biens.

**SYMBOLES VISIBLES SUR LA MACHINE****AVERTISSEMENT !**

Lire toutes les instructions avec attention avant d'effectuer toute opération sur la machine.

**AVERTISSEMENT !**

Ne pas laver la machine avec des jets d'eau directs ou sous pression.

**AVERTISSEMENT !**

Ne pas utiliser la machine sur des pentes dont l'inclinaison dépasse les indications du chapitre des spécifications.

**SYMBOLES UTILISÉS DANS CES INSTRUCTIONS D'UTILISATION****DANGER !**

Cela indique une situation dangereuse avec risque de mort pour l'opérateur.

**AVERTISSEMENT !**

Cela indique un risque potentiel de blessure pour les personnes.

**ATTENTION !**

Cela indique un avertissement ou une remarque concernant des fonctions importantes ou utiles. Prêter l'attention aux paragraphes marqués par ce symbole.

**REMARQUE**

Cela indique une remarque sur des fonctions importantes ou utiles.

**CONSULTATION**

Ceci indique la nécessité de se référer aux instructions d'utilisation avant d'entreprendre toute procédure.

**CONSIGNES GÉNÉRALES DE SÉCURITÉ**

Les avertissements et les mises en garde spécifiques, pour informer des dommages potentiels aux personnes et à la machine, sont indiqués ci-dessous.

**DANGER !**

- Cette machine doit être exploitée par du personnel qualifié et autorisé selon les conseils du manuel.
- Avant d'effectuer toute opération de nettoyage, d'entretien, de réparation ou de remplacement, lire attentivement toutes les instructions, veiller à éteindre la machine et à débrancher le connecteur de la batterie.
- Ne pas faire fonctionner la machine à proximité de poudres, vapeurs ou liquides toxiques, dangereux, inflammables et/ou explosifs. Cette machine ne convient pas pour la collecte des poudres dangereuses.
- Ne pas porter de bijoux, lorsque l'on travaille à proximité de composants électriques.
- Ne pas travailler sous la machine soulevée sans qu'elle soit supportée par des béquilles de sécurité.
- Lors de l'utilisation de batteries au plomb (À LIQUIDE), celles-ci peuvent émettre des gaz inflammables en utilisation normale. Éloigner les étincelles, les flammes, les substances fumigènes et les éléments rayonnants, éclairants et brûlants des batteries.
- Lors du chargement de batteries au plomb (À LIQUIDE), de l'hydrogène gazeux peut s'en dégager risquant de provoquer des explosions. Veiller à ce que le local de charge soit bien aéré et éloigné des flammes nues.

**AVERTISSEMENT !**

- Cette machine est conçue pour l'USAGE COMMERCIAL, par exemple dans des hôtels, des écoles, des hôpitaux, des usines, des magasins, des bureaux et des entreprises de location.
- Les machines laissées sans surveillance seront bloquées afin d'empêcher tout mouvement involontaire.
- Afin de prévenir un usage non-autorisé de la machine, la source d'alimentation sera commutée ou verrouillée, par exemple en enlevant la clé du commutateur principal ou la clé de contact.
- Inspecter attentivement la machine avant chaque utilisation. Veiller à ce que tous les composants aient été bien assemblés avant l'utilisation. Les éléments lâches peuvent causer des dommages aux personnes et aux biens.
- Avant d'utiliser le chargeur de batterie, veiller à ce que les valeurs de fréquence et de tension indiquées sur la plaquette du numéro de série de la machine correspondent à celles du secteur.
- Ne jamais déplacer la machine en tirant sur le câble du chargeur de batterie. Ne pas faire passer le câble par une porte fermée ni l'enrouler autour de bords ou d'arêtes tranchantes. Ne pas faire fonctionner la machine sur le câble du chargeur de batterie. Éloigner le câble du chargeur de batterie des surfaces chauffées.
- Ne pas charger les batteries si le câble de chargeur de batterie ou la fiche sont endommagés.
- Pour réduire le risque d'incendie, de choc électrique ou de blessure, s'assurer que la machine est éteinte avant de partir.
- Utiliser ou stocker la machine en intérieur dans des conditions sèches. Il est interdit de l'utiliser en extérieur.
- La température de stockage et de travail doit être comprise entre 0 °C et +40 °C, l'humidité de l'air doit être comprise entre 30% et 95%.
- Ne pas utiliser la machine sur des pentes dont l'inclinaison dépasse les spécifications.
- Lors de l'utilisation et de la manipulation de détergents de nettoyage de sols, suivre les instructions des étiquettes des bouteilles de détergent et porter des gants et des équipements de protection appropriés.
- Utiliser les balais et les supports de disque fournis avec la machine ou définis dans le manuel. L'utilisation d'autres brosses ou support de disque pourrait diminuer la sécurité.
- En cas de mauvais fonctionnements de la machine, veiller à ce qu'ils ne soient pas dus à un manque d'entretien. Si nécessaire, demander l'assistance du personnel autorisé ou d'un centre d'entretien autorisé.
- Prendre toutes les précautions nécessaires pour empêcher les cheveux, les bijoux et les vêtements amples d'être retenus par des pièces en mouvement de la machine.
- Ne pas utiliser la machine dans des endroits particulièrement poussiéreux.



- Ne pas laver la machine avec des jets d'eau directs ou sous pression, ou avec des substances corrosives.
- Ne pas heurter d'étagères ou d'échafaudages, en particulier lorsqu'il y a un risque de chute d'objets.
- Ne pas poser de récipients de liquide sur la machine, utiliser le porte-gobelet prévu à cet effet.
- Pour éviter d'endommager le sol, ne pas laisser le balai/le disque fonctionner alors que la machine est à l'arrêt.
- En cas d'incendie, utiliser un extincteur à poudre. Ne pas utiliser les extincteurs liquides.
- Ne pas enlever ou modifier les autocollants de la machine.
- Ne pas manipuler frauduleusement les dispositifs de protection et suivre scrupuleusement les instructions d'entretien.
- Faire attention pendant le transport de la machine, si la température est sous le point de congélation. L'eau, dans le réservoir de récupération et dans les tuyaux pourrait geler et causer de sérieux dommages à la machine.
- Si les pièces détachées doivent être remplacées, commander les pièces détachées D'ORIGINE auprès d'un concessionnaire agréé.
- Ramener la machine au centre d'entretien, si elle ne fonctionne pas comme d'habitude ou si elle est endommagée, placée à l'extérieur ou si elle est tombée dans l'eau.
- Pour assurer un fonctionnement adéquat et sécurisé de la machine, l'entretien prévu indiqué dans le chapitre respectif de ce manuel, doit être effectué par le personnel autorisé ou un centre d'entretien agréé.
- La machine doit être correctement mise à la ferraille, étant donné la présence de matières toxiques (batteries, etc.) soumises à des normes qui exigent l'élimination dans des centres spéciaux (voir le chapitre Démolition).
- Cette machine est un simple outil de nettoyage et ne doit pas être utilisée à d'autres fins.
- Toujours veiller à ce que les ouvertures soient libres de poussière, poils et tout autre corps étranger qui pourrait réduire le flux d'air. Ne pas utiliser la machine si les ouvertures sont bouchées.
- Utiliser la machine à condition de disposer d'un éclairage adapté.
- Cette machine n'est pas conçue pour être utilisée par des personnes (y compris des enfants) avec des facultés physiques, sensorielles ou mentales réduites, ou manquant d'expérience et de connaissances.
- Une attention particulière est nécessaire lorsqu'elle est utilisée à proximité d'enfants.
- Les enfants doivent être surveillés afin de s'assurer qu'ils ne jouent pas avec la machine.
- Tout en utilisant cette machine, prendre soin de ne pas causer de dommages aux personnes ou aux objets se trouvant aux alentours.
- Le nettoyage et l'entretien réservés à l'utilisateur ne doivent pas être confiés à des enfants sans surveillance.

## DESCRIPTION DE LA MACHINE

### STRUCTURE DE LA MACHINE (cf. Figure 1)

- |  |  |
|--|--|
| 1. Couvercle du réservoir de récupération            | 15. Charnière  |
| 2. Porte gobelet                                     | 16. Réservoir de récupération                                |
| 3. Guidon  | 17. Couvercle du filtre                                      |
| 4. Panneau de commande                               | 18. Support de tuyau de remplissage                          |
| 5. Boîtier de commande                               | 19. Support du filtre  |
| 6. Plaque signalétique/ données techniques           | 20. Joint du couvercle du réservoir                          |
| 7. Bouchon de vidange                                | 21. Boîtier de collecte des débris                           |
| 8. Boutons de l'embouchure                           | 22. Filtre à flotteur  |
| 9. Tuyau d'aspiration de l'embouchure                | 23. Robinet de solution/d'eau claire                         |
| 10. Bouton de réglage de l'équilibre de l'embouchure | 24. Roues directrices arrière                                |
| 11. Embouchure                                       | 25. Système de balai (uniquement pour les machines à disque) |
| 12. Filtre de solution                               | 26. Bavette garde-boue                                       |
| 13. Roues motrices                                   | 27. Bouton de réglage de tête orbitale                       |
| 14. Réservoir de la solution                         | 28. Système orbital (uniquement pour les machines orbitales) |

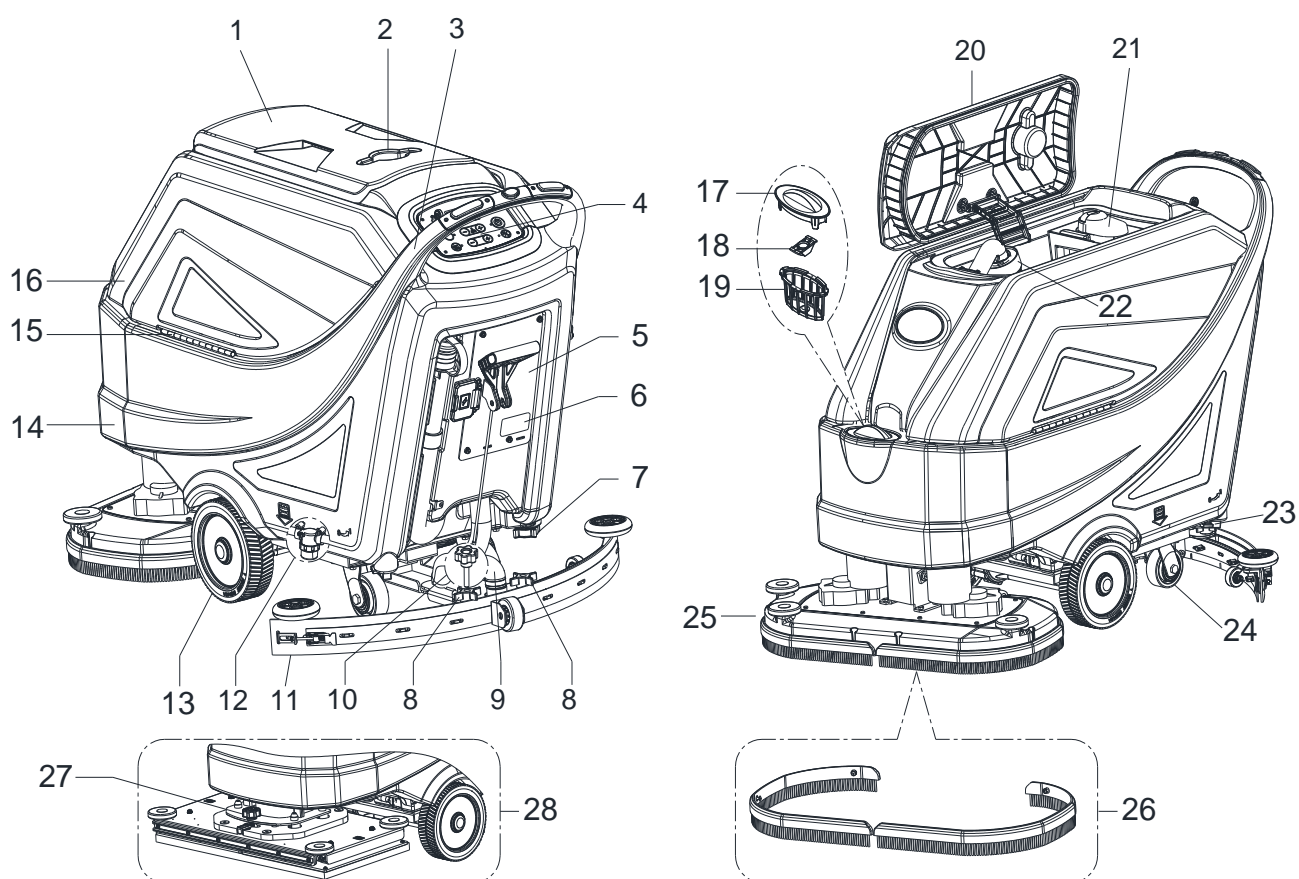
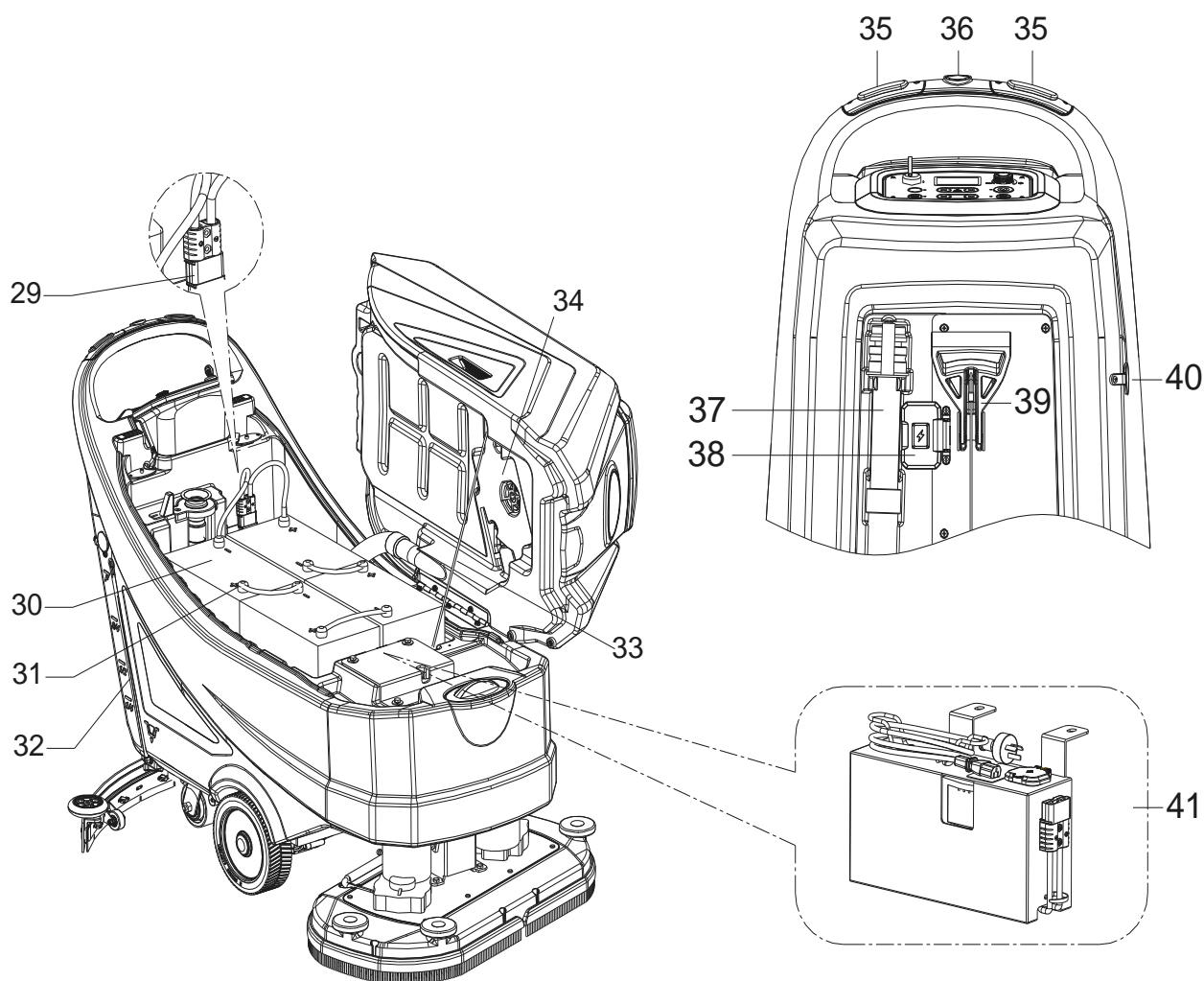


Figure 1

**STRUCTURE DE LA MACHINE (comme représenté sur la Figure 2)**

- |  |   |
|--|---|
| 29. Connecteur de batterie (rouge)     | 36. Interrupteur de marche arrière machine                  |
| 30. Batteries (*)                      | 37. Tuyau de vidange de l'eau de récupération               |
| 31. Bouchons de batterie               | 38. Couvercle de sécurité de la prise de chargement         |
| 32. Tuyau d'indicateur de niveau d'eau | 39. Poignée de levage/d'abaissement de l'embouchure         |
| 33. Câble de sécurité du réservoir     | 40. Bouchon de remplissage latéral du réservoir de solution |
| 34. Système d'aspiration               | 41. Chargeur embarqué (*)                                   |
| 35. Commutateur de sécurité            | (*) : Options   |

**Figure 2**

**PANNEAU DE COMMANDE (cf. Figure 3)**

41. Affichage multifonction  
Éléments affichés :
- A) Type de batterie
  - B) Niveau de charge de la batterie
  - C) Heures de fonctionnement
  - D) Mode ECO
  - E) Mode d'aspiration normal
  - F) Mode d'aspiration silencieux
  - G) Mode de marche arrière
  - H) Forte pression active
  - I) Quantité de débit de solution détergente
  - J) Mode de travail du balai
  - K) Mode d'aspiration
  - L) Mode de préparation de sol
42. Clé de contact (0 - I)
43. Bouton de mode ECO
- DEL allumée-fonction inférieure activée
  - débit d'eau au minimum (niveau 1)
  - pression au minimum (niveau 1)
  - L'aspiration est en mode silencieux
44. Bouton de déblocage de balai/support disque (uniquement pour les machines à disque)
- DEL clignotante - Déblocage du système activé
45. Bouton de préparation du sol (uniquement pour les machines orbitales)
- Pré-réglage de vitesse de déplacement à 1 km/h
  - DEL allumée-fonction inférieure activée
  - débit d'eau au minimum (niveau 1)
  - pression au maximum (niveau 3)
  - L'aspiration est en mode normal
46. Bouton de réglage de pression de balai
47. Bouton de réglage du débit de solution
48. Régulateur de vitesse
49. Démarrage un bouton
- DEL allumée-fonction inférieure activée
  - système d'eau au minimum (niveau 1)
  - pression au minimum (niveau 1)
  - système d'aspiration normal
50. Bouton de réglage du système d'aspiration (presser le bouton pendant 1 seconde pour l'activation)
- DEL allumée-mode normal
  - DEL clignotante- mode silencieux

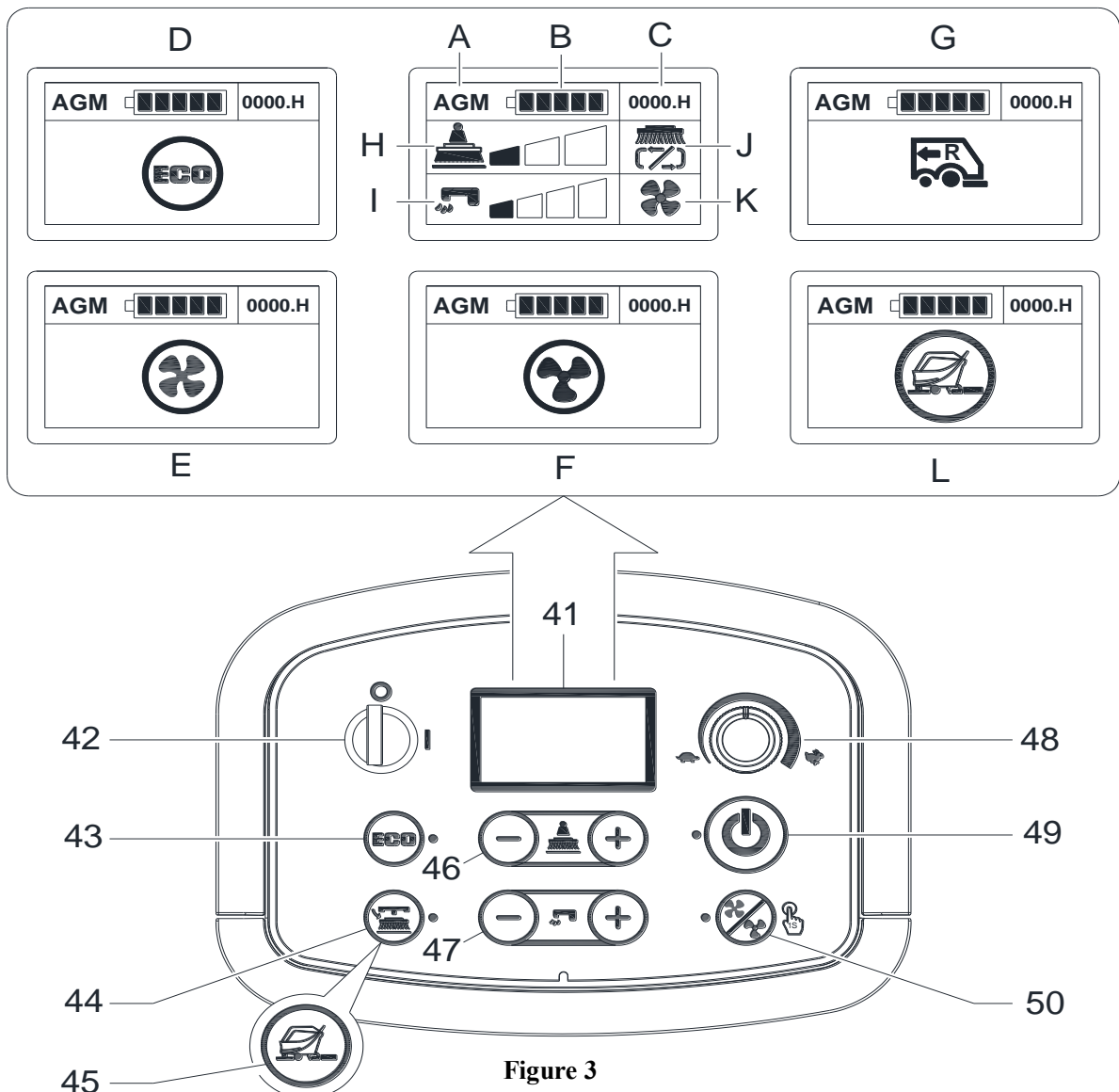
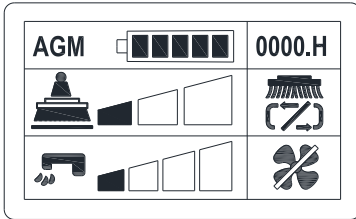
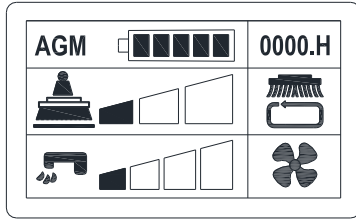
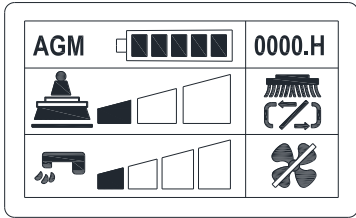
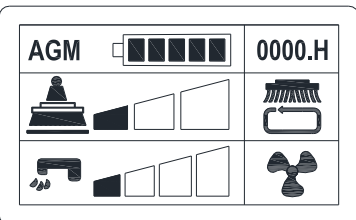
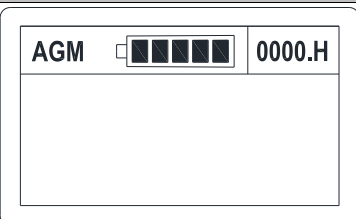
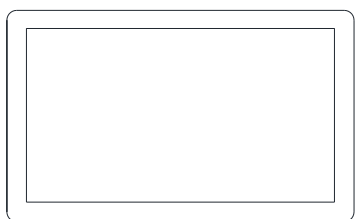
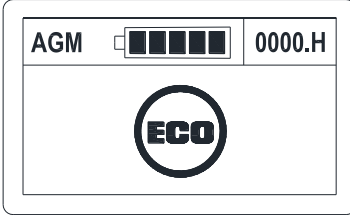
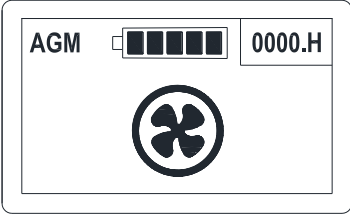
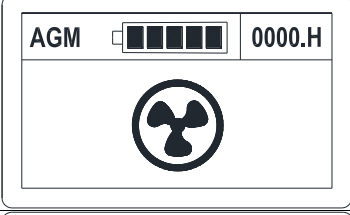
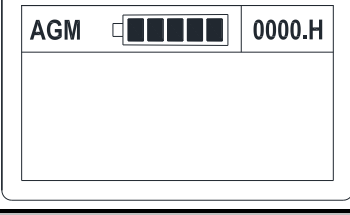
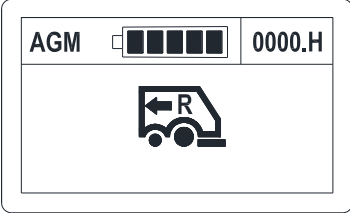
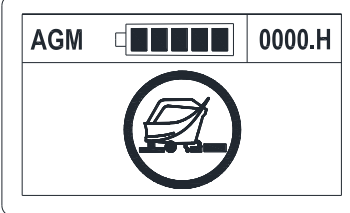


Figure 3

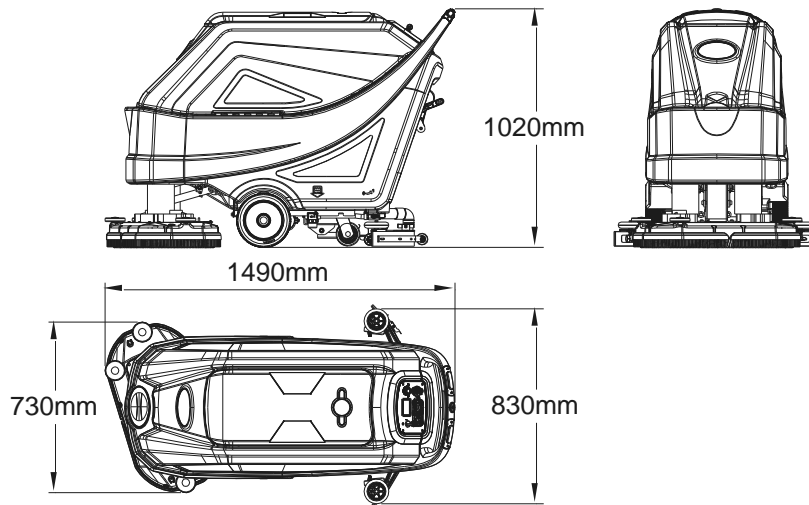
## DESCRIPTION DE MODE DE TRAVAIL

QUE FAIRE	AFFICHEUR	DESCRIPTION
<b>Mode normal</b>		
Touche (42) allumée Bouton un démarrage (49) allumé		<ol style="list-style-type: none"> <li>1: Le point du compteur horaire ne clignote pas.</li> <li>2: La flèche du balai ne tourne pas.</li> <li>3: Le ventilateur ne clignote pas.</li> <li>4: L'eau du robinet ne clignote pas.</li> <li>5: L'actionneur descend au premier niveau de pression.</li> </ol>
Touche (42) allumée Bouton un démarrage (49) allumé Commutateur de sécurité (35) allumé		<ol style="list-style-type: none"> <li>1: Le point du compteur horaire clignote.</li> <li>2: La flèche de balai tourne.</li> <li>3: Le ventilateur clignote. (Quatre barres)</li> <li>4: L'eau du robinet clignote.</li> </ol>
<b>Mode silencieux</b>		
Touche (42) allumée Bouton un démarrage (49) allumé		<ol style="list-style-type: none"> <li>1: Le point du compteur horaire ne clignote pas.</li> <li>2: La flèche du balai ne tourne pas.</li> <li>3: Le ventilateur ne clignote pas.</li> <li>4: L'eau du robinet ne clignote pas.</li> </ol>
Touche (42) allumée Bouton un démarrage (49) allumé Appuyer sur le bouton de réglage du système d'aspiration (50) pendant 1 seconde Commutateur de sécurité (35) allumé		<ol style="list-style-type: none"> <li>1: Le point du compteur horaire clignote.</li> <li>2: La flèche de balai tourne.</li> <li>3: Le ventilateur clignote. (trois barres)</li> <li>4: L'eau du robinet clignote.</li> </ol>
<b>Mode éteint</b>		
Commutateur de sécurité (35) éteint Bouton un démarrage (49) éteint Touche (42) allumée		<ol style="list-style-type: none"> <li>1: Le point du compteur horaire ne clignote pas.</li> <li>2: Fermeture de boutons de tout le panneau (Le moteur d'aspiration retarde l'arrêt de 12 secondes).</li> <li>3: La tête du balai se place en position la plus haute.</li> </ol>
Touche (42) éteinte		<ol style="list-style-type: none"> <li>3: Coupure de courant.</li> <li>4: L'afficheur est éteint.</li> </ol> <p><b>Remarque : Après avoir coupé le bouton un démarrage (49), attendre jusqu'à ce que la tête de balai se soulève en position supérieure, avant d'éteindre la touche (42).</b></p>

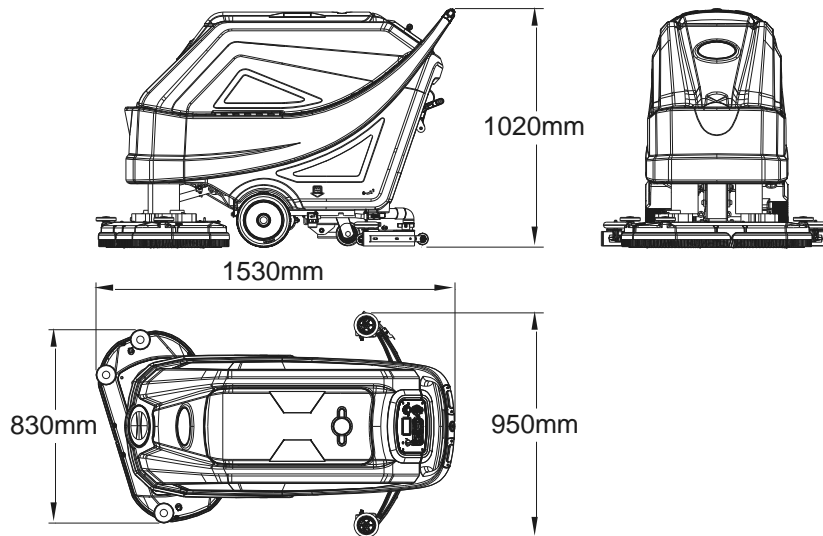
QUE FAIRE	AFFICHEUR	DESCRIPTION
<b>Mode ECO</b>		
Touche (42) allumée Bouton un démarrage (49) allumé Bouton ECO (43) allumé		Débit d'eau au minimum (niveau 1) Pression au minimum (niveau 1) L'aspiration est en mode silencieux. <b>Remarque :</b> Activer le bouton un démarrage (49), avant d'allumer le bouton ECO (43).
<b>Mode du système d'aspiration (presser le bouton pendant 1 seconde pour l'activation)</b>		
<b>Mode normal</b>		
Touche (42) allumée Bouton un démarrage (49) éteint Presser le bouton de réglage du système d'aspiration (50) pendant 1 seconde		Le ventilateur clignote (quatre barres)
<b>Mode silencieux</b>		
Touche (42) allumée Bouton un démarrage (49) éteint Presser le bouton de réglage du système d'aspiration (50) pendant 1 seconde		Le ventilateur clignote (trois barres)
Bouton de réglage du système d'aspiration (50) éteint		PAS de ventilateur <b>Remarque :</b> Lorsque le bouton de réglage du système d'aspiration est éteint, le moteur d'aspiration s'arrête immédiatement.
<b>Mode de marche arrière</b>		
Bouton de poignée marche arrière (36) allumé		1: Le point du compteur horaire clignote. 2: Toutes les DEL des boutons sont coupées.
<b>Mode de préparation du sol (uniquement pour les machines orbitales)</b>		
Touche (42) allumée Bouton un démarrage (49) allumé Bouton de préparation du sol (45) allumé		Vitesse de travail de la machine 1 km/h Débit d'eau au minimum (niveau 1) Pression au maximum (niveau 3) L'aspiration est en mode normal

DIMENSIONS DE LA MACHINE

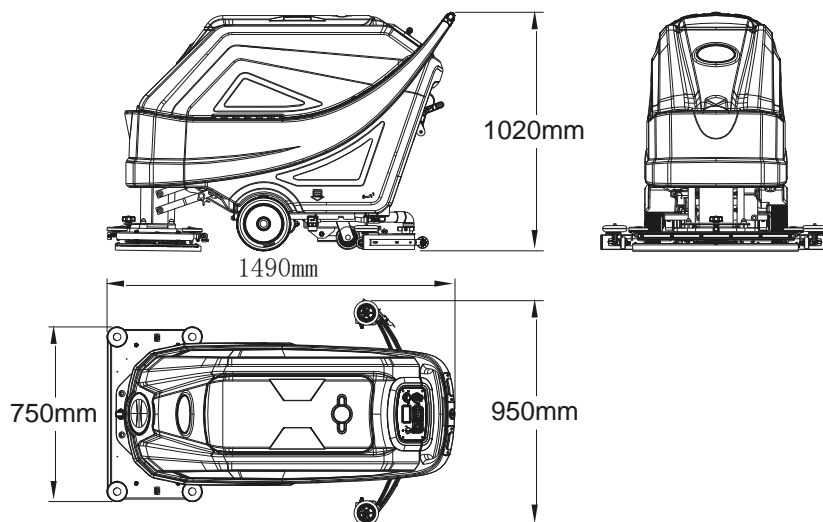
AS6690T



AS7690T



AS7190TO



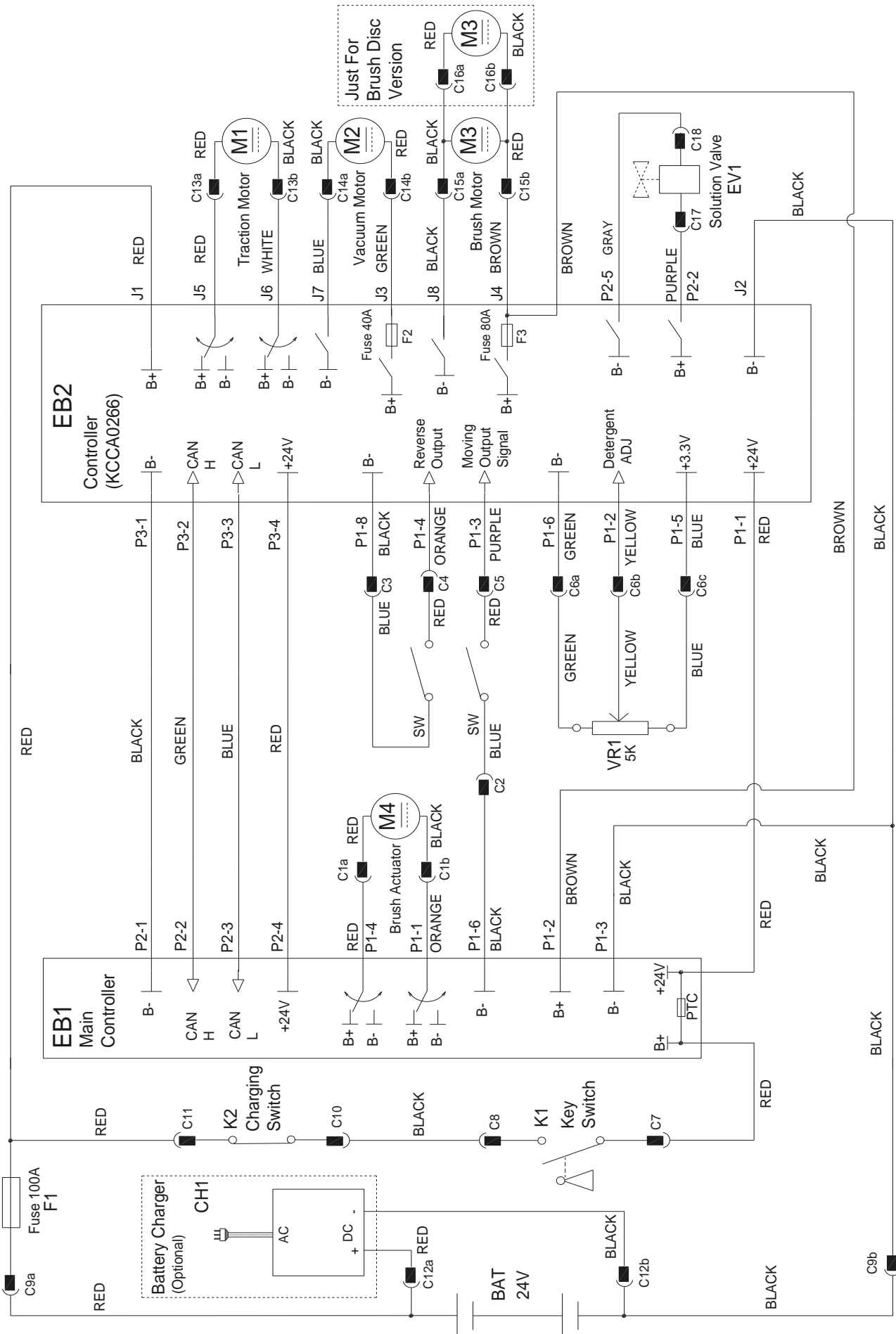
## CARACTERISTIQUES TECHNIQUES

Type de paramètre	Unités	Modèle		
		AS6690T	AS7690T	AS7190TO
Capacité du réservoir de solution	L / Gal	85 l / 22 gal.		
Capacité du réservoir de récupération	L / Gal	90 L / 24 gal.		
Longueur de la machine	mm/Pouces	1490 mm/ 59 pouces	1550mm/ 61 pouces	1490 mm/ 59 pouces
Largeur de la machine avec embou- chure	mm/Pouces	830 mm/33 pouces	950 mm/ 38 pouces	
Largeur de la machine sans embou- chure	mm/Pouces	730 mm/29 pouces	830mm/33 pouces	750mm/30 pouces
Hauteur de la machine	mm/Pouces	1020 mm/40 pouces		
Largeur de travail	mm/Pouces	660 mm/26 pouces	760 mm/30 pouces	710 mm/28 pouces
Diamètre des roues motrices	mm/Pouces	230 mm/9 pouces		
Pression spécifique des roues mo- trices sur le sol	N/mm <sup>2</sup>	0,67 N/mm <sup>2</sup>		
Diamètre roue arrière	mm/Pouces	101 mm/4 pouces		
Pression spécifique des roues arrière sur le sol	N/mm <sup>2</sup>	0,82 N/mm <sup>2</sup>		
Diamètre du balai/disque	mm/Pouces	330 mm x 2 / 13 pouces x 2	380mm x 2 / 15 pouces x 2	355x710 mm / 14x28 pouces
Pression du balai/disque (max)	kg/lbs.	32 kg / 71 lbs 41 kg / 90 lbs 49 kg / 108 lbs	35 kg / 77 lbs 43 kg / 95 lbs 51 kg / 112 lbs	42 kg / 93 lbs 54 kg / 120 lbs 65 kg / 143 lbs
Débit de solution (max) pour réglage	L/gal par minute	(0,9/1,5/2,2/3) litres (0,24/0,39/0,58/0,79) gallons		(0,6/1,1/1,9/2,5) litres (0,16/0,29/0,5/0,66) gallons
Niveau de pression acoustique	dB (A)	69 ± 3 dB (A)		
Niveau de pression acoustique en mode ECO ou en mode silencieux	dB (A)	65 ± 3 dB (A)		
Niveau de vibration de la poignée (max)	m/s <sup>2</sup>	< 2,5 m/s <sup>2</sup>		
Pente admissible (max)	% degré	2 %		
Braquage min	cm/Pouces	155cm/61 pouces	165 cm/65 pouces	160 cm/63 pouces
Puissance du moteur d'entraînement	Watt / CV	250 W / 0,33 CV		350 W / 0,47 CV
Vitesse de travail	Km/milles à l'heure	0- 4,0 km / 0- 2,5 milles à l'heure		0 - 3,2 km / 0 - 2.0 milles à l'heure
Vitesse d'avancement	Km/milles à l'heure	0- 4,0 km / 0 - 2,5 milles à l'heure		
Vitesse de marche arrière	Km/milles à l'heure	0- 2,0 km / 0 - 1,25 mille à l'heure		
Puissance du moteur d'aspiration	Watt / CV	500 W / 0,66 CV		
Capacité d'aspiration	mm/In de H <sub>2</sub> O	1500 mm/ 60 In de H <sub>2</sub> O		
Capacité d'aspiration en mode ECO ou en mode silencieux	mm/In de H <sub>2</sub> O	900 mm/ 35 In de H <sub>2</sub> O		
Puissance du moteur de la brosse	Watt / CV	500 x 2 Watt / 0,66 x 2 CV		750 Watt / 1,0 CV
Vitesse de balai en mode normal	Tr/min	200 tr/min		2200 tr/min
Vitesse de balai en mode ECO	Tr/min	160 tr/min		1600 tr/min
Indice de protection IP	IP	IP24		
Dimensions du compartiment de la batterie avec chargeur non-embarqué (L x l x h)	mm/Pouces	(620 x 385 x 390) mm / 24,4 x 15,1 x 15,3 pouces		
Dimensions du compartiment de la batterie avec chargeur embarqué branché (L x l x h)(*)	mm/Pouces	(535 x 385 x 390) mm / 21 x 15,1 x 15,3 pouces		
Tension	CC	24 V		
Batteries (*)	Ah	SO		
Temps de fonctionnement de la batte- rie (batteries standard) (*)	Heure	Jusqu'à 4 heures		
Chargeur embarqué (*)	Volts/A	24V 25A		
Productivité (max)	m <sup>2</sup> /h	2640 m <sup>2</sup> /h	3040 m <sup>2</sup> /h	2272 m <sup>2</sup> /h
Poids de la machine avec des résér- voirs vides (sans batteries)	kg/lbs.	135 kg / 298 lbs	138 kg / 304 lbs	148 kg / 326 lbs.
Masse totale en charge (MTC)	kg/lbs.	347 kg / 765 lbs.	350 kg / 772 lbs.	360 kg / 794 lbs.
Poids d'expédition	kg/lbs.	202 kg / 444 lbs.	205 kg / 451 lbs.	215 kg / 473 lbs.
Dimensions de l'emballage (L x l x h)	mm/Pouces	(1620 x 810 x 1200 mm) / (64 x 32 x 48 pouces)	(1660 x 910 x 1200 mm) / (66 x 36 x 48 pouces)	

(\*) : Options



SCHEMA DE CÂBLAGE



## GUIDE D'UTILISATION

**AVERTISSEMENT !**

En certains endroits de la machine il y a des plaques adhésives indiquant :

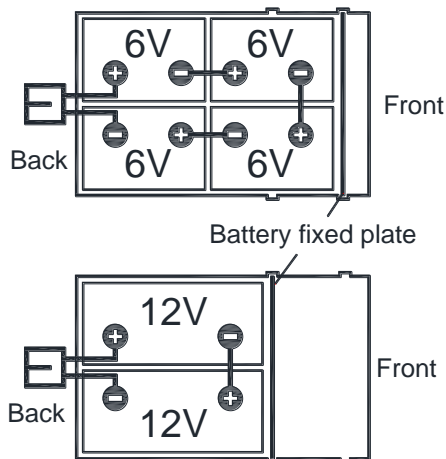
- DANGER !
- AVERTISSEMENT !
- ATTENTION !
- CONSULTATION

En lisant ce manuel, l'opérateur doit prêter une attention particulière aux symboles figurant sur les plaques. Ne pas couvrir ces plaques pour une raison quelconque et les remplacer immédiatement en cas de détérioration.

## VÉRIFICATION/RÉGLAGE DE LA BATTERIE SUR UNE NOUVELLE MACHINE

**AVERTISSEMENT !**

Les composants électriques de la machine peuvent être sérieusement endommagés si les batteries sont soit mal installées ou mal connectées. Les batteries doivent être uniquement installées par un personnel qualifié. Régler le circuit électronique de la fonction et le chargeur de batterie embarqué selon le type de batteries utilisé (batteries à LIQUIDE ou GEL/AGM). Vérifier si les batteries sont endommagées avant de les installer. Déconnecter le connecteur de la batterie et la fiche du chargeur de batterie. Manipuler les batteries avec grande précaution. Installer les bouchons de protection des bornes de la batterie fournis avec la machine.

**REMARQUE**

La machine nécessite deux batteries de 12V ou quatre batteries de 6V, connectées selon le schéma de câblage (Figure 4).

Mettre correctement la plaque fixe de la batterie conformément à la (Figure 4).

**Figure 4**

**Batteries déjà installées dans la machine**

1. Vérifier que le connecteur de batterie (29, Figure 2) est connecté.
2. À la première utilisation de la machine avec des batteries neuves, effectuer un cycle de charge complet (voir la procédure au chapitre Entretien).

**Sans batterie**

1. Acheter des batteries adaptées (voir le paragraphe « Données Techniques »). Pour le choix et l'installation des batteries, s'adresser à des détaillants de batteries qualifiés.
2. Régler la machine selon le type de batteries installé comme dans la section de la touche Super Utilisateur du chapitre Entretien.

## INSTALLATION DES BATTERIES ET RÉGLAGE DU TYPE DE BATTERIE (AVEC ENTRETIEN OU GEL/AGM)

### Installation de la batterie

1. Ouvrir le couvercle du réservoir de récupération (1, Figure 1) et vérifier si le réservoir de récupération (16) est vide ; sinon, le vider avec le tuyau de vidange. (37, Figure 2)
2. Fermer le couvercle du réservoir de récupération (1, Figure 1).
3. Soulever le réservoir de récupération (16, Figure 1) avec prudence.
4. La machine est équipée de câbles adaptés à l'installation de deux batteries de 12V ou de quatre batteries de 6V. Mettre soigneusement les batteries dans le compartiment, puis les installer correctement. Mettre correctement la plaque fixe de la batterie conformément à la (Figure 4).
5. Acheminer et installer le câble de la batterie comme indiqué dans la (Figure 4), puis serrer soigneusement l'écrou sur chaque borne de la batterie.
6. Placer le bouchon de protection sur chaque borne, puis connecter le connecteur de la batterie (29, Figure 2).
7. Abaisser doucement le réservoir de récupération (16, Figure 1).

### Réglage du type de batterie (LIQUIDE OU GEL/AMG)

#### Accès pour sélectionner le mode de batterie

Selon le type de batteries (LIQUIDE ou GEL/AGM), régler la machine comme suit :

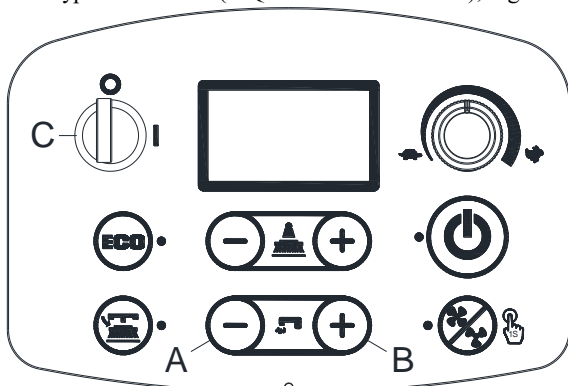


Figure 5

#### Access to select battery mode

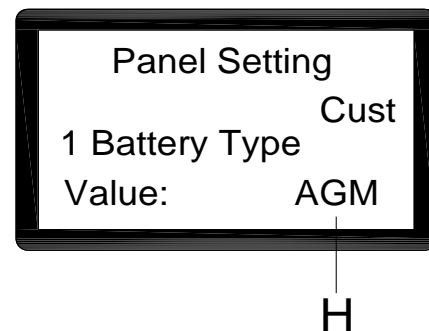


Figure 6

1. Presser le bouton de débit d'eau « + » (A, Figure 5) et « - » (B, Figure 5) en même temps.
2. Mettre la clé de contact (C, Figure 5) et la tourner sur « I ».
3. Plusieurs secondes plus tard, entrer dans l'écran de sélection du mode de batterie (Figure 6)
4. Presser le bouton de débit d'eau « - » (A, Figure 5) et « + » (B, Figure 5) pour sélectionner le mode de batterie (H, Figure 6)
5. 3 secondes plus tard, « Mise à jour OK » s'affiche ce qui signifie que le réglage est réussi. Mettre le contact pour redémarrer. (C, Figure 5)

### Réglage du chargeur de batterie (uniquement pour les chargeurs embarqués, s'ils sont installés)



#### AVERTISSEMENT !

Ne pas régler le chargeur sans avoir une formation professionnelle adaptée

1. Couper la machine et démonter le chargeur embarqué (A, Figure 7) de la machine. Forcer l'ouverture de l'étiquette sur le couvercle du chargeur (B, Figure 7), les 2 réglages de commutateurs Dip (SW1 et SW2) se trouvent dans le chargeur.
2. Seul le réglage du commutateur DIP SW1 (celui de gauche) influence la sélection de la courbe de chargement selon le tableau ci-dessous.

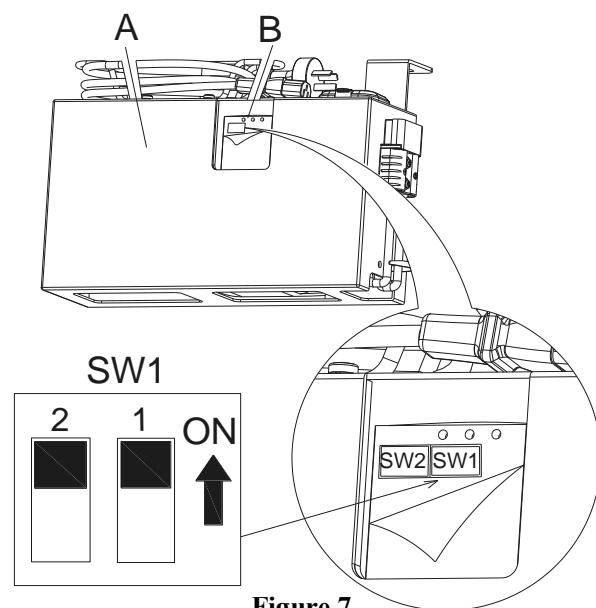


Figure 7

DP1	DP2	COURBE DE CHARGEMENT
Branché	Débranché	IUIa-ACD pour les batteries au plomb (à liquide)
Débranché	Débranché	IUIa-GEL pour les batteries à gel d'Exide-Sonnenschein
Débranché	Branché	IUU0-GEL pour les batteries à gel HAZE et AGM d'autres fabricants
Branché	Branché	IUIUa-AGM pour les batteries Discover AGM

### Chargement de la batterie

Charger totalement les batteries (voir la procédure au chapitre d'entretien).

### Déchargement de batterie

Lorsque la barre indicatrice des batteries est remplie (G, Figure 8), les batteries permettent à la machine de travailler normalement. Lorsque la barre indicatrice des batteries est faible (H, Figure 8), celles-ci doivent être chargées. Quelques secondes après l'affichage de l'indication de batterie faible, le balai/support de disque est automatiquement coupé, tandis que le système d'entraînement reste en marche. Conduire immédiatement la machine jusqu'à l'emplacement de recharge indiqué.

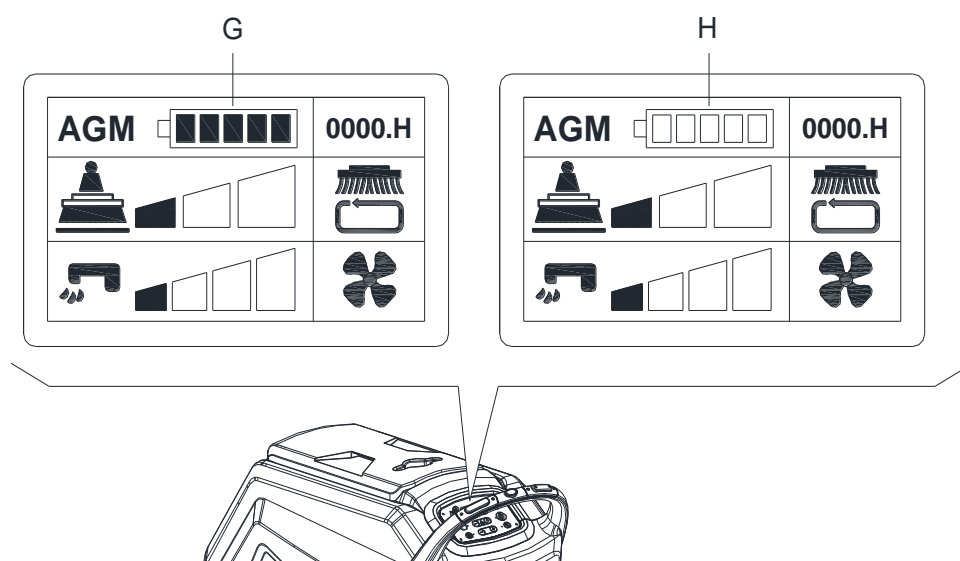


Figure 8



#### ATTENTION !

Lorsque les batteries sont déchargées, les charger dès que possible, puisque cette situation raccourcit leur vie utile. Contrôler la charge des batteries au moins une fois par semaine.

**POSE ET DÉPOSE DE BALAI/SUPPORT DISQUE (uniquement pour les machines à disque)****REMARQUE**

Installer soit la brosse (A, Figure 9) ou le support de disque (B et C, Figure 9) selon le type de sol à nettoyer.

**ATTENTION !**

Avant la pose ou la dépose du balai ou du support de disque, s'assurer que tous les interrupteurs de la machine sont en position d'arrêt et que l'embouchure est soulevée du sol. L'opérateur doit être équipé des équipements de protection individuelle appropriés tels que des gants afin de réduire le risque d'accidents.

Procéder comme suit :

**POSE :**

1. Insérer la clé de contact (42, Figure 3) et la tourner sur « I ». Soulever le plateau. Couper la machine en enlevant la clé de contact (42).
2. Mettre le régulateur de vitesse (47) sur ralenti en le tournant dans le sens anti-horaire.
3. Placer les balais (A, Figure 9) ou le support de disque (B) sous le plateau.
4. Utiliser la méthode manuelle en tournant le balai/support de disque dans le sens contraire du sens de rotation normal. L'installation peut alors avoir lieu. (cf. la Figure 9)

**DÉPOSE :**

1. Insérer la clé de contact (42, Figure 3) et la tourner sur « I ». Pour retirer le balai/support de disque, soulever le plateau en appuyant sur le bouton de déblocage du balai/support de disque (44), le balai/support de disque sera automatiquement débloqué.

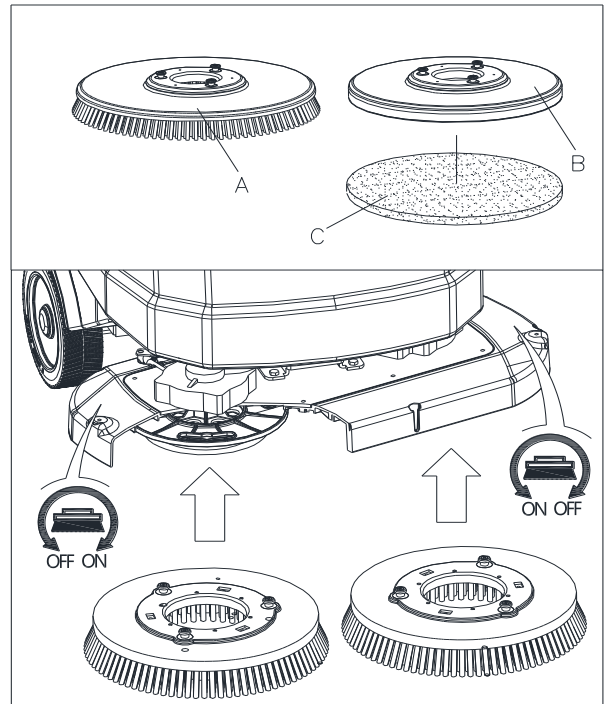


Figure 9

**POSE ET DÉPOSE DE DISQUE (uniquement pour les machines orbitales)**

1. Insérer la clé de contact (42, Figure 3) et la tourner sur « I ». Soulever le plateau. Couper la machine en enlevant la clé de contact.
2. Utiliser la méthode manuelle pour poser ou déposer le disque cf. (Figure 10)

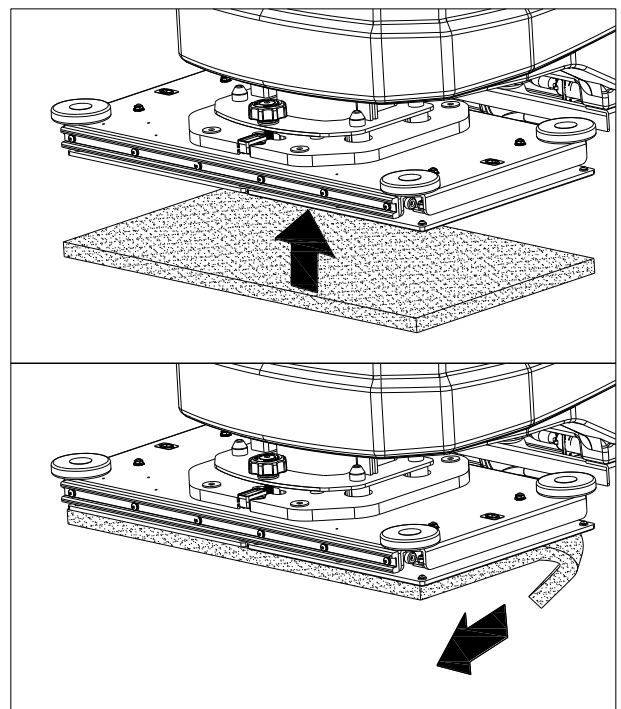


Figure 10

## AJUSTEMENT DE L'ÉQUILIBRE DE L'EMBOUCHURE

1. Poser l'embouchure et serrer l'écrou (H, Figure 11), puis raccorder le tuyau d'aspiration (G) à l'embouchure.
2. Régler l'embouchure par la poignée de réglage (A, Figure 11).
  - a) S'il y a un écart entre le sol et la section centrale de la lame arrière de l'embouchure (B), régler le bouton (A) dans le sens anti-horaire (F) jusqu'à ce que toutes les sections de lamelle arrière de l'embouchure soient bien au contact du sol, la lamelle avant touchant légèrement le sol.
  - c) S'il y a un écart entre le sol et les deux extrémités de la lamelle arrière (C et D), régler le bouton (A) dans le sens horaire (E) jusqu'à ce que toutes les sections de lamelle arrière de l'embouchure soit bien au contact du sol, la lamelle avant touchant légèrement le sol.

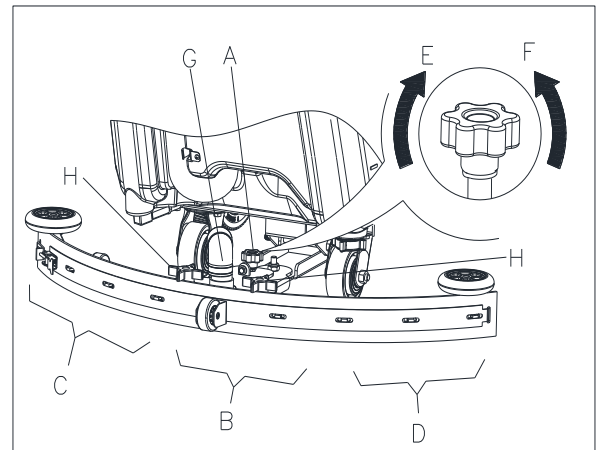


Figure 11

## REMPLEISSAGE DU RÉSERVOIR DE SOLUTION

1. Ouvrir le couvercle d'entrée d'eau (B, Figure 12).
2. Remplir d'eau ou de solution adaptée aux performances par l'entrée d'eau avec filtre.
3. La température de la solution ne doit pas dépasser +104F (+40°C).
4. Ne pas trop remplir le réservoir, se reporter à l'indicateur de niveau d'eau (H) pour le volume d'eau.



### AVERTISSEMENT !

Utiliser uniquement des détergents à faible mousse et non-inflammables, qui sont destinés à des applications à l'autolaveuse.

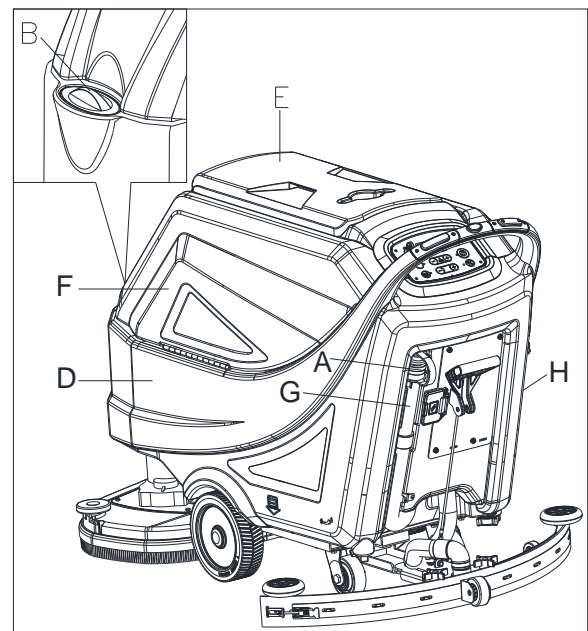


Figure 12

## DÉMARRAGE/ARRÊT DE LA MACHINE

### Démarrage de la machine

1. Préparer la machine comme indiqué dans le paragraphe précédent.
2. Mettre la clé de contact (A, Figure 13) et la tourner sur « I ». Contrôler l'état des batteries à l'écran. Au besoin charger totalement les batteries (voir la procédure au chapitre d'entretien).
3. Conduire la machine jusqu'à la zone de travail :
  - En appuyant soit sur le commutateur de sécurité (F) pour avancer soit sur le commutateur de sécurité (F) et le commutateur de marche arrière (G) pour reculer. La vitesse d'avancement peut être réglée avec le dispositif de réglage (H).
4. Abaisser l'embouchure (I) avec la poignée de levage/d'abaissement de l'embouchure (J).
5. Abaisser le plateau de balai/support de disque (K) en pressant le bouton un démarrage (L)
6. Presser les boutons de commande du débit de solution (O), si nécessaire, en fonction du type de nettoyage à effectuer.
7. Commencer le nettoyage :
  - Presser chaque commutateur de sécurité (F) pour activer la conduite de la machine. Si nécessaire, la vitesse d'avancement peut être réglée avec le dispositif de réglage (H).

**REMARQUE**

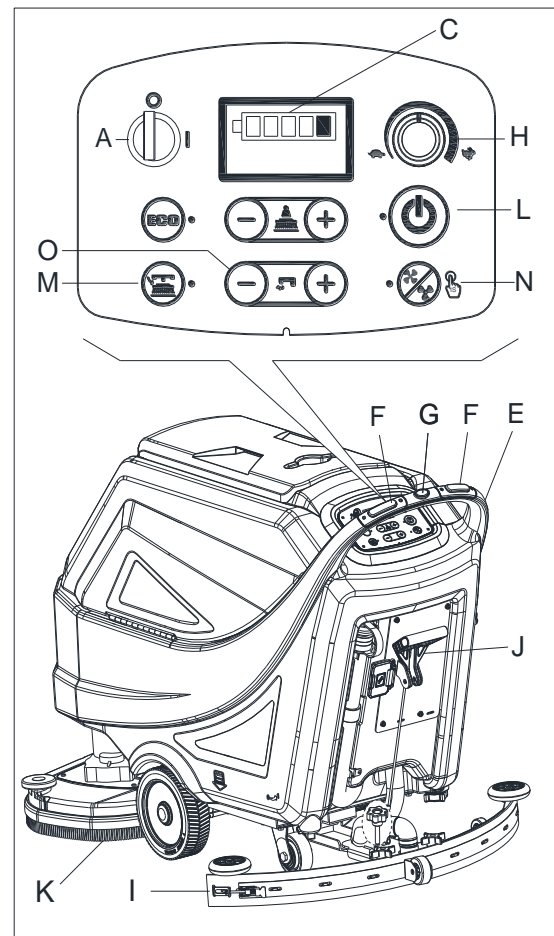
Pour déplacer la machine vers l'avant, appuyer soit sur le commutateur gauche soit sur le droit (F, Figure 13) ou sur les deux.

**Arrêt de la machine**

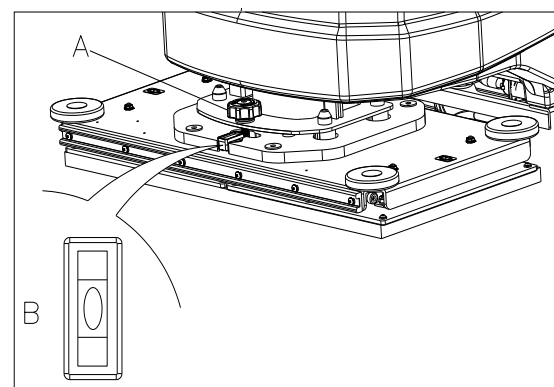
1. Arrêter la machine en relâchant les commutateurs de sécurité (F, Figure 13)
2. Les balais s'arrêtent. Le système d'aspiration s'arrête au bout de quelques secondes.
3. Lever le plateau de balai/support de disque (K) en pressant le bouton un démarrage (L)
4. Soulever l'embouchure (I) avec la poignée de levage/d'abaissement de l'embouchure (J).
5. Tourner la clé de contact (A) sur « 0 ».
6. S'assurer que la machine ne peut pas bouger spontanément.

**FONCTIONNEMENT DE LA MACHINE (BROSSAGE ET SÉCHAGE)**

1. Démarrer la machine, comme indiqué dans les paragraphes précédents.
2. Après avoir pressé chaque commutateur de sécurité (35, Figure 2), manœuvrer la machine et démarrer le lavage/séchage du sol.
3. Si nécessaire, arrêter la machine puis régler l'embouchure selon la section « Réglage de l'équilibre de l'embouchure ».

**Figure 13****RÉGLAGE DU NIVEAU DE PLATEAU ORBITAL (UNIQUEMENT POUR LES MACHINES ORBITALES)**

1. Mettre la clé de contact (42) et la tourner sur « 1 ».
2. Abaisser le plateau de balai/support de disque (25) en pressant le bouton un démarrage (48)
3. Régler le niveau du plateau orbital en réglant la poignée (A, Figure 14) de façon que la bulle soit au centre (B, Figure 14).

**Figure 14**

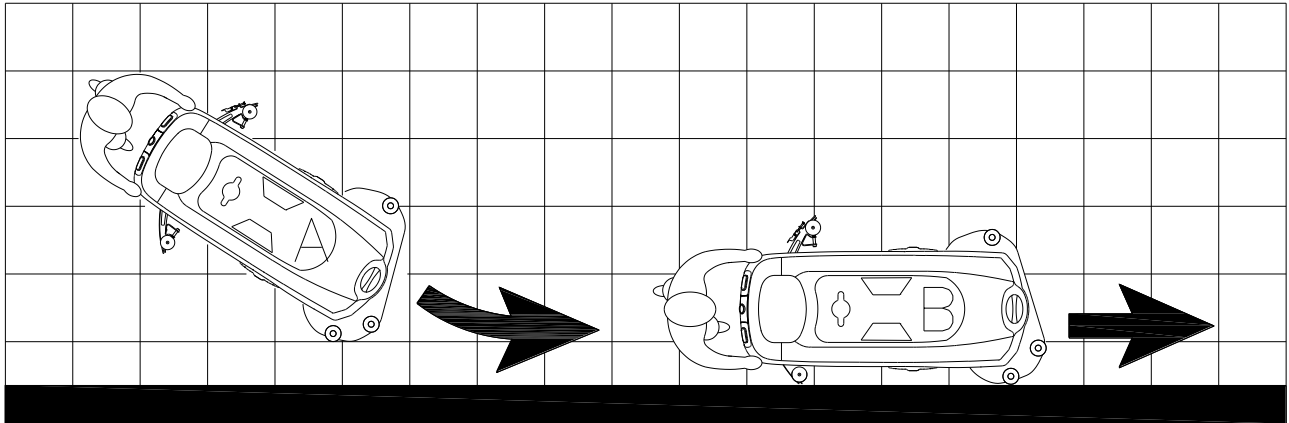


**REMARQUE**

Pour un lavage/séchage corrects des sols aux pieds des murs. Il est suggéré d'aller près des murs avec le côté droit de la machine (A et B, Figure 15) comme sur la figure.

**ATTENTION !**

Pour éviter tout dommage à la surface du sol, éteindre la brosse/le support de disque lorsque la machine s'arrête en un seul endroit, en particulier lorsque la fonction de pression supplémentaire est activée.



**Figure 15**

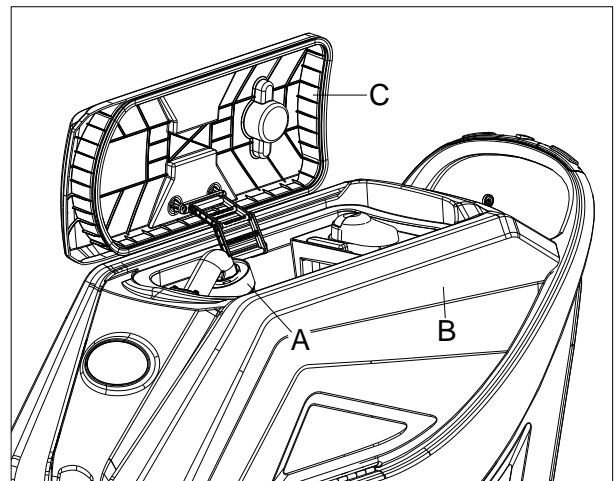
**VIDANGE DU RÉSERVOIR**

Un système automatique de fermeture à flotteur (A, Figure 16) bloque le système d'aspiration lorsque le réservoir d'eau de récupération (B) est plein. La désactivation du système d'aspiration est indiquée par une augmentation soudaine de la fréquence du bruit du moteur du système d'aspiration, le sol aussi ne s'est pas séché.

**ATTENTION !**

Si le système d'aspiration s'éteint accidentellement (par exemple, lorsque le flotteur est activé en raison d'un mouvement soudain de la machine), pour reprendre l'opération : désactiver le système d'aspiration en appuyant sur le commutateur (49, Figure 3), puis ouvrir le couvercle (C, Figure 16) et vérifier que le flotteur à l'intérieur de la grille (A) a baissé jusqu'au niveau de l'eau. Ensuite, fermer le couvercle (C) et mettre le système d'aspiration en marche en appuyant sur le commutateur (49, Figure 3).

Lorsque le réservoir d'eau de récupération (B, Figure 16) est plein, le vider selon la procédure suivante.



**Figure 16**

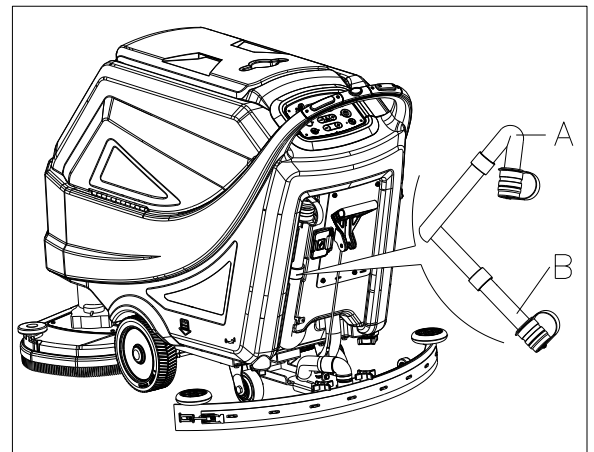


**Vidange du réservoir d'eau récupération**

1. Arrêter la machine.
2. Lever le plateau de balai/support disque (25, Figure 1) en pressant le bouton de démarrage (49, Figure 3) ou redémarrer la machine par la clé de contact (42, Figure 3).
3. Soulever l'embouchure (11, Figure 1) avec la poignée de levage/d'abaissement de l'embouchure (39, Figure 2).
4. Conduire la machine jusqu'à la zone d'élimination désignée.
5. Vider le réservoir d'eau de récupération avec le tuyau (A, Figure 17). Ensuite, rincer le réservoir (B, Figure 16) avec de l'eau propre.

**ATTENTION !**

Lors de la vidange des eaux usées, le tuyau d'aspiration des déchets doit être plié (A, Figure 17) et abaissé en position inférieure (B, Figure 17) puis ouvrir le couvercle du tuyau d'aspiration à déchets pour vider l'eau. Ne pas orienter vers le haut la sortie du tube d'aspiration pour les déchets, afin de drainer l'eau à la verticale. Ceci afin d'éviter que les eaux usées se déversent sur l'opérateur.

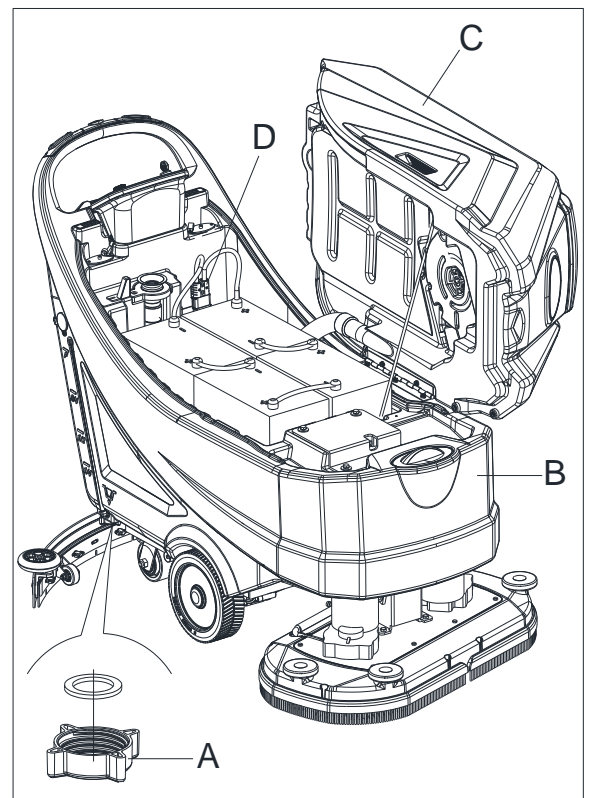
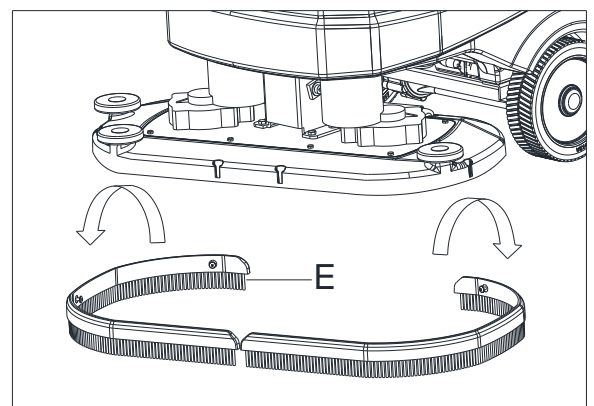
**Figure 17****Vidange du réservoir de solution/d'eau propre**

1. Vider le réservoir de solution par le bouchon de vidange (A, Figure 18). Après avoir travaillé, rincer le réservoir avec de l'eau propre.

**APRÈS UTILISATION DE LA MACHINE**

Après avoir travaillé, avant de quitter la machine :

1. Enlever les balais/supports de disque en pressant le bouton de déblocage (44, Figure 3) et les nettoyer (uniquement pour les machines à disque).
2. Retirer la bavette garde-boue (cf. E, Figure 19) et la nettoyer. (Uniquement pour les machines à disque)
3. Retirer le disque et le nettoyer. (Uniquement pour les machines orbitales)
4. Vider les réservoirs (B et C, Figure 18), comme indiqué dans le paragraphe précédent.
5. Effectuer les procédures d'entretien quotidien (voir le chapitre d'entretien).
6. Ranger la machine dans un endroit propre et sec, avec les balais/supports de disque et l'embouchure soulevés ou retirés.

**Figure 18****Figure 19**

**STOCKAGE DE MACHINE PENDANT UNE LONGUE INACTIVITÉ**

Si la machine ne sera pas utilisée pendant plus de 30 jours, procéder comme suit :

1. Effectuer les procédures indiquées dans le paragraphe « Après utilisation de la machine ».
2. Déconnecter le connecteur de la batterie (29, Figure 2).

**PREMIÈRE PÉRIODE D'UTILISATION**

Après les 8 premières heures, vérifier le serrage de la machine et les pièces de liaison pour un serrage correct et vérifier les pièces visibles pour l'usure et les fuites.

**ENTRETIEN****AVERTISSEMENT !**

Les procédures d'entretien doivent être effectuées après que la machine ait été éteinte et le câble du chargeur de batterie ait été débranché. En outre, lire attentivement les chapitres de sécurité dans le Manuel.

Toutes les procédures de maintenance programmées ou extraordinaires doivent être effectuées par un personnel qualifié ou un centre d'entretien autorisé. Ce manuel ne décrit que les procédures d'entretien générales et communes.

Pour les autres procédures d'entretien qui ne sont pas dans la table de calendrier d'entretien ci-dessous, veuillez vous référer au manuel d'entretien qui peut être consulté à tout centre d'entretien de notre société.

**TABLE D'ENTRETIEN PRÉVU****ATTENTION !**

La procédure marquée de (1) doit être effectuée lorsque la machine est utilisée après 8 heures pour la première fois. La procédure marquée de (2) doit être faite par le centre d'entretien qui est qualifié par notre société.

Procédure	Quotidien, après chaque utilisation	Chaque semaine	Semestriellement	Annuellement
Chargement de la batterie				
Nettoyage de l'embouchure				
Nettoyage de la brosse/du support de disque				
Nettoyage du réservoir				
Inspection du joint de couvercle du réservoir				
Nettoyage du filtre à flotteur				
Nettoyage du disque				
Nettoyage de la bavette garde-boue (uniquement pour les machines à disque)				
Vérification et remplacement de la lamelle de l'embouchure				
Nettoyage du filtre à eau				
Nettoyage du filtre d'aspiration				
Vérification du niveau de liquide de la batterie HUMIDE				
Inspection du serrage des vis et écrous			(1)	
Sectionneur inférieur (uniquement pour les machines orbitales)			(2)	
Vérification ou remplacement des charbons du moteur de balai				(2)
Vérification ou remplacement des charbons du moteur d'aspiration				(2)
Vérification ou remplacement des charbons du moteur du système d'entraînement				(2)

**CHARGEMENT DE LA BATTERIE****REMARQUE**

Charger les batteries lorsque la batterie s'épuise.

**ATTENTION !**

Garder les batteries chargées allonge leur vie utile.

**ATTENTION !**

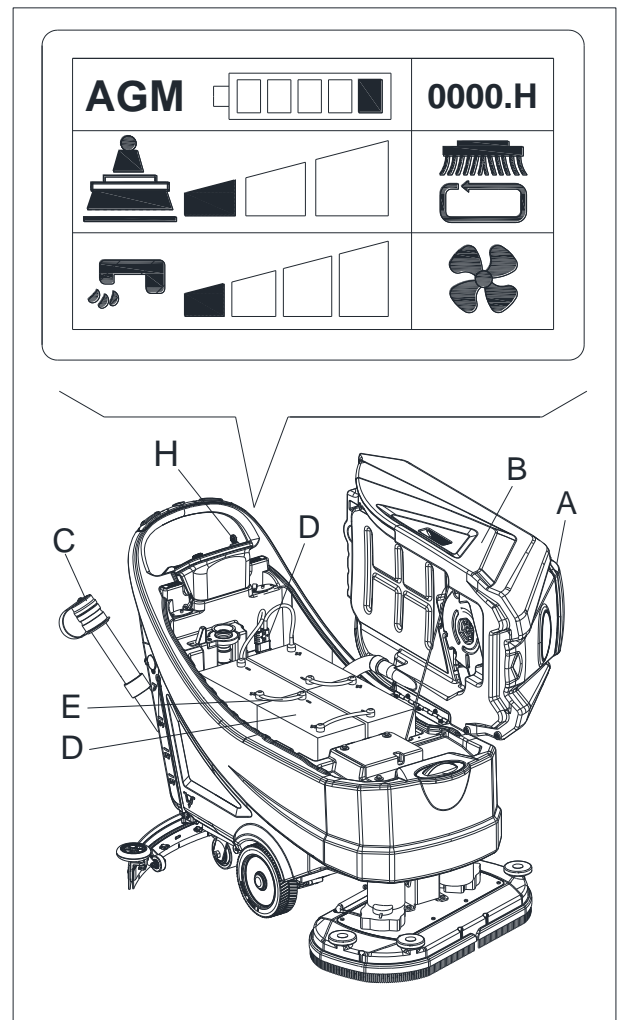
Lorsque les batteries sont déchargées, les charger dès que possible, puisque cette situation raccourcit leur vie utile. Contrôler la charge des batteries au moins une fois par semaine.

**AVERTISSEMENT !**

Le chargement de batterie au plomb produit des gaz d'hydrogène hautement explosifs. Charger les batteries dans des zones bien ventilées et à l'écart des flammes nues. Ne pas fumer pendant le chargement des batteries. Laisser le réservoir ouvert pendant le chargement des batteries.

**AVERTISSEMENT !**

Prendre bien garde lors du chargement des batteries parce qu'il peut y avoir des fuites de liquides de batterie. Le liquide de batterie est corrosif. S'il entre en contact avec la peau ou les yeux, rincer abondamment à l'eau et consulter un médecin.

**Figure 20****Procédures préliminaires**

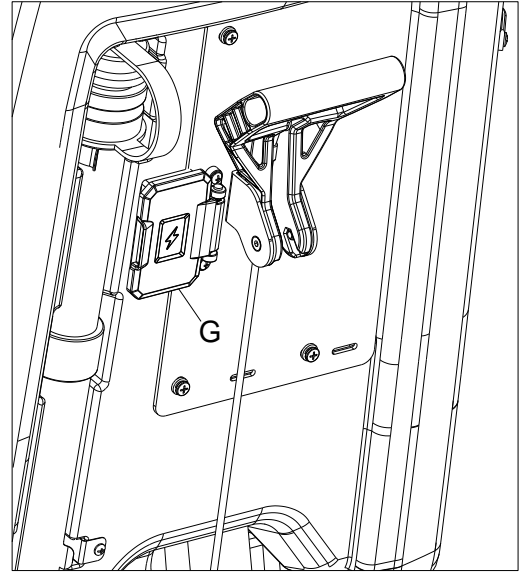
1. Ouvrir le couvercle (A, Figure 20) et vérifier si le réservoir d'eau de récupération (B) est vide ; sinon, le vider avec le tuyau de vidange (C).
2. \* Conduire la machine sur un sol nivelé.
3. Tourner la clé de contact (H) sur « 0 ».
4. Lever doucement le réservoir (B).
5. Charger les batteries selon la procédure suivante.

**Chargement de batterie (la machine avec chargeur non-embarqué).**

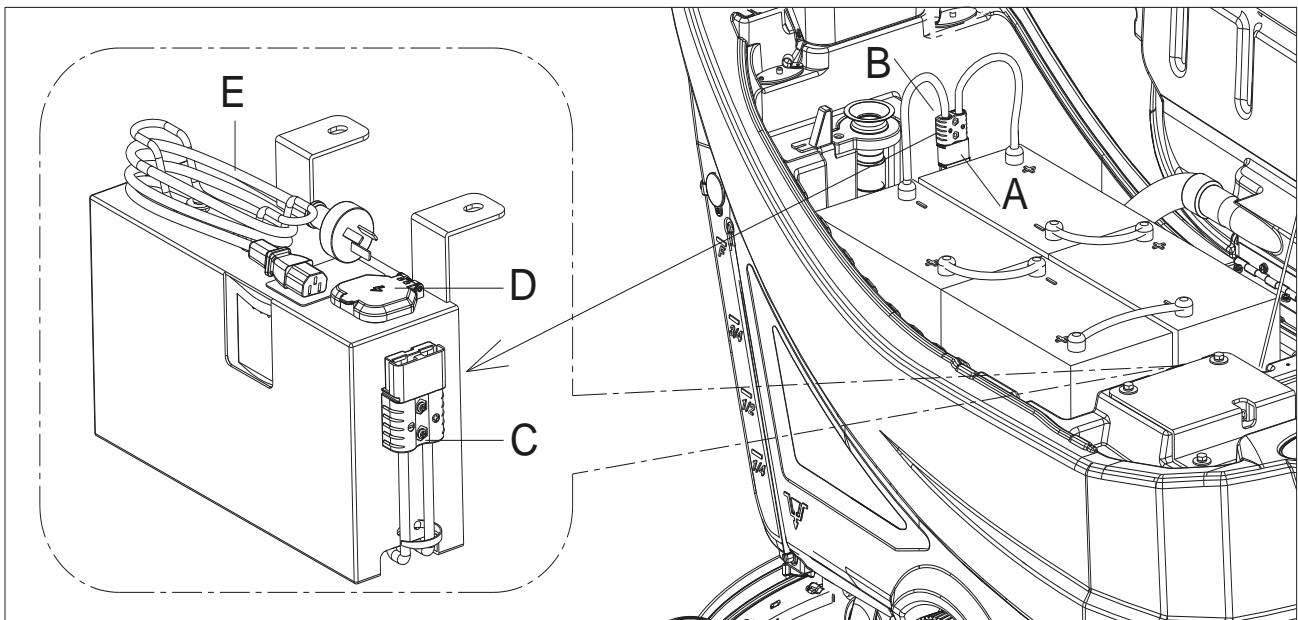
6. Connecter le câble du chargeur de batterie au secteur (G, Figure 21) (la tension du secteur et la fréquence doivent être compatibles avec la batterie. Lorsque le chargeur de batterie est connecté au secteur, toutes les fonctions de la machine sont automatiquement coupées).
7. Lorsque le chargement de la batterie est terminé, déconnecter le câble du chargeur de batterie du secteur (G).
8. Les niveaux d'électrolyte doivent être contrôlés une fois que les batteries sont chargées.
9. Mettre la clé de contact (42) et la tourner sur « I ». Contrôler l'état des batteries à l'écran (B, Figure 3)
10. Lever doucement le réservoir.

**REMARQUE**

Si la machine n'est pas équipée d'un chargeur de batterie embarqué, choisir un chargeur de batterie externe adapté au type de batterie installé.

**Figure 21****Chargement de la batterie (la machine avec chargeur embarqué) (\*).**

1. Changer les connexions de la batterie (B, Figure 22) de (A) à (C).
2. Connecter le câble de chargement de la batterie (E) à (D) et l'autre extrémité du câble à la prise électrique.
3. Lorsque la batterie est chargée, le voyant vert s'allume sur le chargeur. Déconnecter le câble du chargeur de batterie (E) et changer les connexions de la batterie (B) de (C) à (A).
4. Les niveaux d'électrolyte doivent être contrôlés une fois que les batteries sont chargées.
5. Insérer la clé de contact (42, Figure 3) et la tourner sur « I ». Contrôler l'état des batteries à l'écran (B, Figure 3)
6. Lever doucement le réservoir.

**Figure 22**

**NETTOYAGE DE LA BROSSSE/DU DISQUE****ATTENTION !**

Il est conseillé de porter des gants de protection lors du nettoyage du balai/disque, car il peut y avoir des débris pointus.

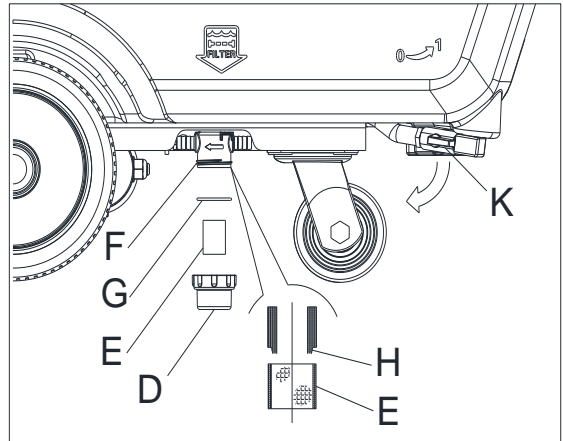
1. Retirer le balai/disque de la machine, tel qu'indiqué au chapitre Utilisation.
2. Nettoyer et laver le balai/disque à l'eau et au détergent.
3. Contrôler que les balais/disques sont en bon état et pas trop usés ; le cas échéant, les remplacer.

**NETTOYAGE DU FILTRE DE SOLUTION**

1. Conduire la machine sur une section de sol horizontale.
2. Vérifier que la machine est éteinte et que la clé de contact (42, Figure 3) a été retirée.
3. Vider le réservoir de solution ou enlever le bouchon (K, Figure 23).
4. Retirer le couvercle transparent (D), puis le tamis du filtre (E). Les nettoyer et les remettre sur le support (F).

**REMARQUE**

Le tamis du filtre (E) doit être bien placé sur le boîtier (H) du support (F).

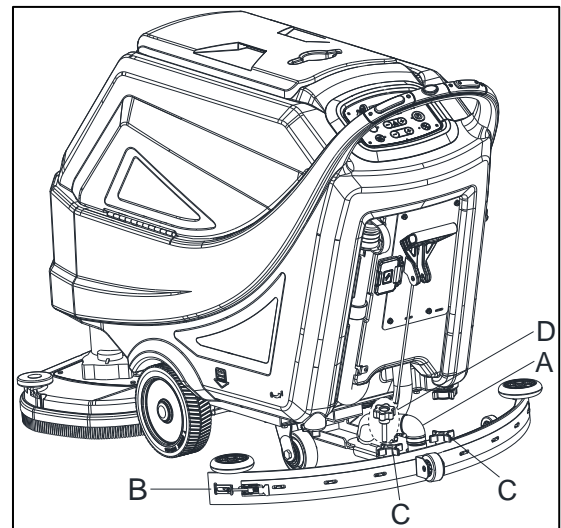
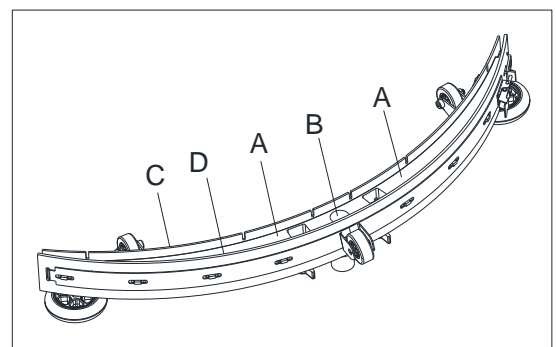
**Figure 23****NETTOYAGE DE L'EMBOUCHURE****REMARQUE**

L'embouchure doit être propre et ses lamelles doivent être en bon état afin d'obtenir un bon séchage.

**ATTENTION !**

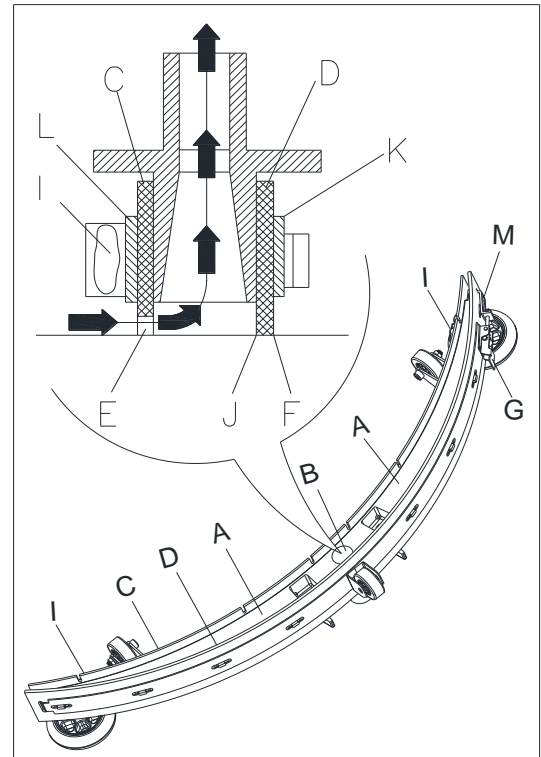
Il est conseillé de porter des gants de protection lors du nettoyage de l'embouchure, car il peut y avoir des débris pointus.

1. Conduire la machine sur une section de sol horizontale.
2. Tourner la clé de contact (42, Figure 3) sur « 0 ».
3. Abaisser l'embouchure (11, Figure 1) avec la poignée de levage/d'abaissement de l'embouchure (39, Figure 2).
4. Desserrer les boutons (C, Figure 24) et retirer l'embouchure.
5. Déconnecter le tuyau d'aspiration (A) de l'embouchure.
6. Nettoyer l'embouchure en acier ou aluminium (Figure 25). Nettoyer les compartiments (A) et en particulier le trou (B). Vérifier l'intégrité de la lamelle avant (C) et de la lamelle arrière (D) à la recherche de coupure et déchirures ; si nécessaire les remplacer (voir la procédure au paragraphe suivant).
7. Assembler l'embouchure dans l'ordre inverse de la dépose.

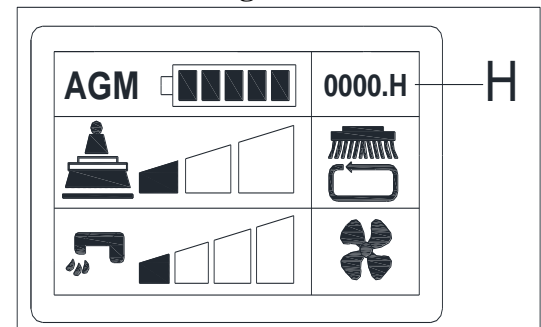
**Figure 24****Figure 25**

**VÉRIFICATION ET REMPLACEMENT DE LA LAMELLE DE L'EMBOUCHURE**

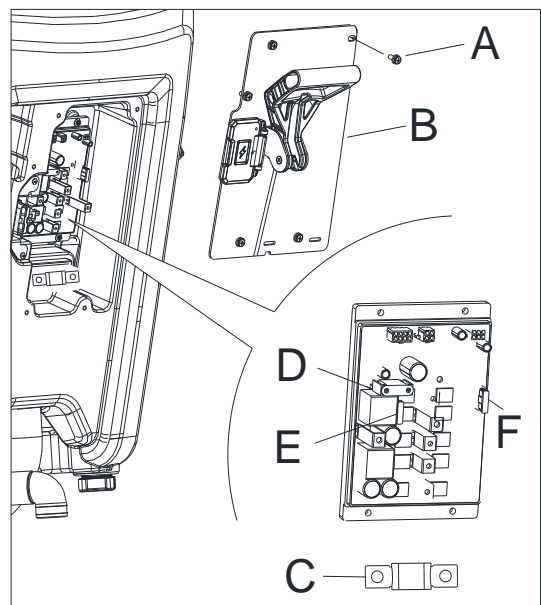
1. Nettoyer l'embouchure en acier ou aluminium, tel qu'indiqué au paragraphe précédent.
2. Vérifier que les bords (E, Figure 26) de la lamelle avant (C) et les bords (F) de la lamelle arrière (D) sont posés au même niveau sur toute leur longueur ; si nécessaire ajuster leur hauteur selon la procédure suivante :
  - Retirer la tige de traction (G), dégager les éléments de fixation (M) et régler la lamelle arrière (D), puis engager les fixations (M) et installer la tige de traction (G).
  - Desserrer les boutons (I) et régler la lamelle avant (C), puis serrer les boutons.
3. Vérifier l'usure de la lamelle avant (C) et de la lamelle arrière (D) à la recherche de coupures ou de déchirures ; si nécessaire les remplacer selon la procédure suivante. Vérifier que le bord avant (J) de la lamelle arrière (D) n'est pas usé ; si nécessaire, retourner la lamelle pour remplacer le bord usé par le bord en parfait état. Si les autres bords sont usés, remplacer aussi la lamelle selon la procédure suivante :
  - Retirer la tige de traction (G), dégager les éléments de fixation (M) et retirer la barrette de retenue (K), puis reposer la lamelle arrière (D). Monter l'embouchure dans l'ordre inverse du démontage.
  - Dévisser les boutons (I) et retirer la barrette de retenue (L), puis remplacer la lamelle avant (C). Monter l'embouchure dans l'ordre inverse du démontage. Après le remplacement de la lamelle (ou son retournement), ajuster la hauteur, comme indiqué à l'étape précédente.
4. Connecter le tuyau d'aspiration (A, Figure 24) à l'embouchure.
5. Installer l'embouchure (B) et visser les boutons (C).
6. Si nécessaire, régler le bouton de réglage de l'équilibre de l'embouchure (D).

**Figure 26****CONTRÔLE DES HEURES DE FONCTIONNEMENT DE LA MACHINE**

1. Tourner la clé de contact (42, Figure 3) sur « I ».
2. Presser le commutateur (35, Figure 2), le compteur horaire se met à tourner et affiche en même temps le nombre total d'heures de travail (H, Figure 27) à l'écran.
3. Relâcher le commutateur (35).
4. Tourner la clé de contact (42) sur « 0 ».

**Figure 27****VÉRIFICATION / REMPLACEMENT DU FUSIBLE**

1. Tourner la clé de contact (42, Figure 3) sur « 0 ».
2. Déconnecter le connecteur de batterie (rouge) (29, Figure 2) du secteur.
3. Enlever les vis (A, Figure 28) sur le couvercle du boîtier de commande (B).
4. Vérifier / remplacer les fusibles suivants :
  - a) fusible F1 (D, Figure 28), fusible de balai (80A)
  - b) fusible F2 (E, Figure 28), fusible d'aspiration (40A)
  - c) fusible F3 (F, Figure 28), fusible du boîtier de commande (2A)
  - d) fusible F4 (C, Figure 28), fusible principal (100A)

**Figure 28**



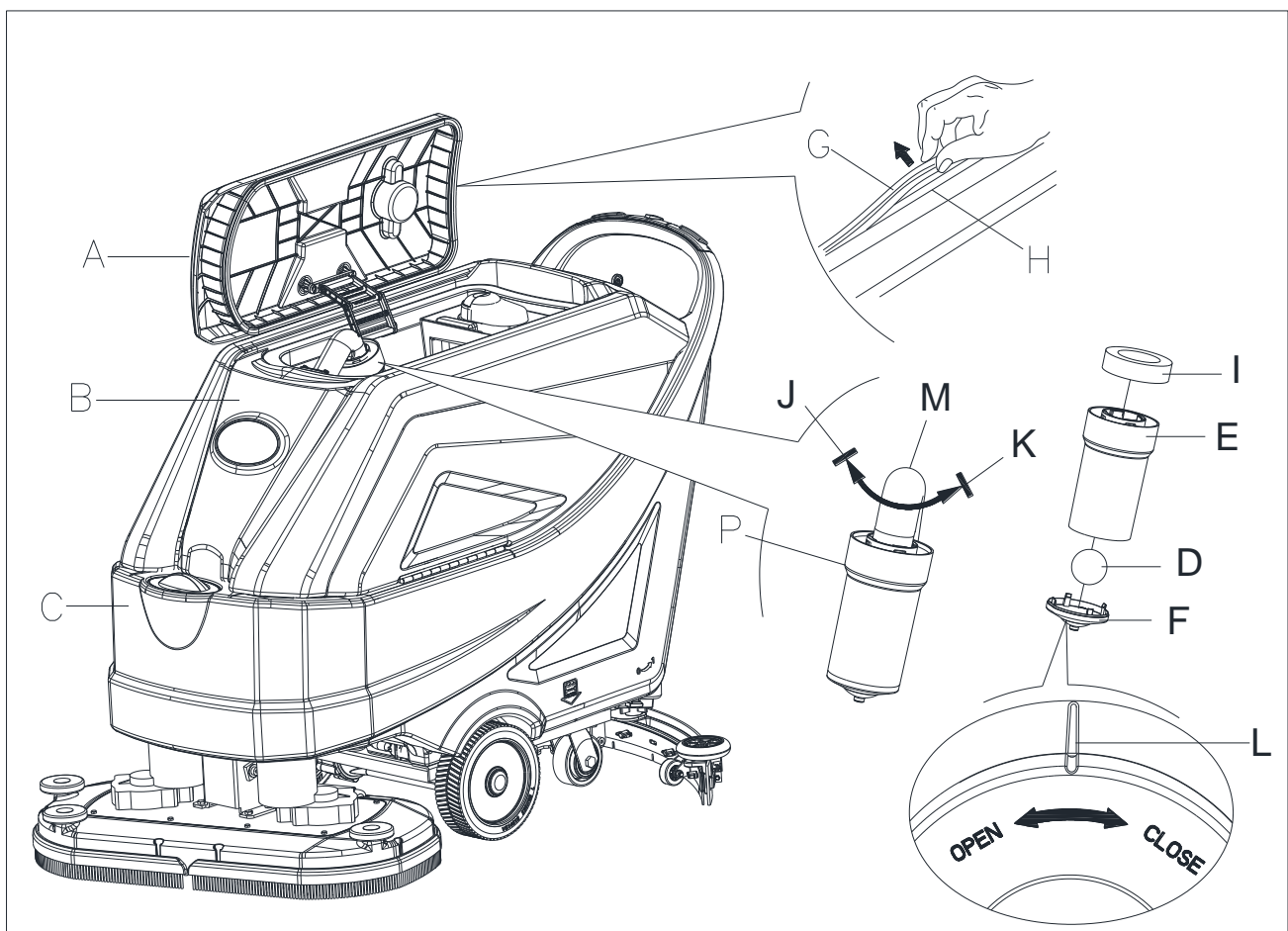
**NETTOYAGE DU RÉSERVOIR ET DU FLOTTEUR, VÉRIFICATION DU JOINT DE COUVERCLE**

1. Conduire la machine sur un sol nivelé.
2. Vérifier que la machine est éteinte et que la clé de contact (42, Figure 3) a été retirée.
3. Ouvrir le couvercle du réservoir de récupération (A, Figure 29) sur une position à 90 degrés, puis enlever le filtre à flotteur (P) du réservoir.
4. Nettoyer le couvercle du réservoir récupération (A), le cadre du support du filtre à flotteur (E). Vider le réservoir de récupération avec le tuyau de vidange.
5. Si nécessaire, suivre les symboles « OPEN » et « CLOSE » comme indiqué sur la (Figure 29) pour ouvrir le couvercle inférieur (F) du filtre à flotteur, puis nettoyer le flotteur (D), le cadre de support du filtre (E) et l'éponge du filtre (I). Après le nettoyage, fixer le filtre à flotteur (D) sur le cadre de support du filtre (E) puis aligner la rainure de marque (L) du capuchon de fond (F) du filtre à flotteur avec la rainure de marque (L) du cadre de support du filtre à flotteur (E). Visser fermement le capuchon de fond du filtre à flotteur, et fixer l'éponge du filtre (I) sur le cadre de support du filtre à flotteur (E). Enfin, le connecter à la colonne montante d'aspiration (M).
6. Inspecter l'intégrité de la bande d'étanchéité du réservoir.

**REMARQUE**

La bande d'étanchéité du réservoir (G) permet de produire l'aspiration à l'intérieur du réservoir lorsque le moteur d'aspiration fonctionne. Le réservoir doit être scellé, pour pouvoir effectivement déplacer l'eau du sol vers le réservoir de récupération.

7. Vérifier si la surface de contact de la bande d'étanchéité (G) est en bon état et est suffisamment étanche. Si nécessaire, sortir la bande d'étanchéité du réservoir de la rainure (H) et la remplacer. Assembler la nouvelle bande d'étanchéité comme indiqué sur la (Figure 29), le joint devant être ramené dans la zone médiane.
8. Fermer le couvercle du réservoir de récupération (A).



**Figure 29**

**ACCESSOIRES/OPTIONS**

En plus des composants standards, la machine peut être équipée des accessoires/options suivants, selon l'utilisation spécifique de la machine :

Pour de plus amples informations concernant les accessoires optionnels mentionnés ci-dessus, contacter un distributeur agréé.

**ACCESSOIRES/OPTIONS**

Voir la section « Nomenclature des pièces »

1. Balai de différents matériaux
2. Plateau de batterie
3. Chargeur embarqué
4. Lamelle de différents matériaux

**DÉPANNAGE**

Problème	Causes probables	Solution
Les moteurs ne fonctionnent pas, code d'erreur à l'écran	Le connecteur de la batterie est déconnecté.	Connecter le connecteur de la batterie.
	Les batteries sont complètement déchargées.	Charger les batteries.
	Code d'erreur, voir le tableau	Redémarrer la machine
La machine n'avance pas	La machine a été allumée en utilisant la clé de contact et en appuyant sur un des commutateurs.	Tourner la clé de contact sur « 0 », puis tenter de redémarrer la machine sans appuyer sur les commutateurs.
L'aspiration de l'eau de récupération est insuffisante.	Le réservoir de l'eau de récupération est plein.	Vider le réservoir.
	Le tuyau est déconnecté de l'embouchure.	Le connecter.
	La grille d'aspiration est encrassée ou le flotteur est bloqué en position fermée.	Nettoyer la grille ou contrôler le flotteur.
	L'embouchure est sale ou les lamelles d'embouchure sont usées ou endommagées.	Nettoyer et contrôler l'embouchure.
	Le couvercle du réservoir est mal fermé, le joint est endommagé ou la colonne montante est bouchée.	Fermer le couvercle correctement, ou remplacer le joint ou nettoyer le tube Bend.
	Le tuyau d'aspiration est bouché.	Le nettoyer.
Le débit de solution aux balais est insuffisant.	Le filtre de solution/eau claire est sale.	Nettoyer le filtre.
L'embouchure laisse des traces sur le sol.	Il y a des débris sous les lamelles de l'embouchure.	Retirer les débris.
	Les lamelles de l'embouchure sont usées, émoussées ou usées.	Remplacer les lamelles.
	L'embouchure n'a pas été réglée avec le bouton.	Régler.

**REMARQUE**

Si la machine est installée avec le chargeur embarqué en option et lorsque le chargeur embarqué est défectueux, la machine ne peut être utilisée. En cas de mauvais fonctionnement du chargeur de batterie, contacter un centre d'entretien agréé.



## CODE D'ERREUR DE L'ÉCRAN

N° de l'erreur	Description de l'erreur	Notes
Erreur 1	Surcharge de vanne	Court-circuit ou surcharge de vanne
Erreur 2	Surcharge du moteur de balai	Court-circuit ou surcharge du moteur de balai
Erreur 3	Surcharge du moteur d'aspiration	Court-circuit ou surcharge du moteur d'aspiration
Erreur 4	Surcharge du moteur de traction	Court-circuit ou surcharge du moteur de traction
Erreur 5	Surcharge du moteur de plateau des balais	Court-circuit ou surcharge du moteur de plateau des balais
Erreur 6	Faible niveau de batterie	Tension de batterie basse
Erreur 7	Moteur de balai ouvert	Le moteur de balai est ouvert
Erreur 8	Moteur d'aspiration ouvert	Le moteur d'aspiration est ouvert
Erreur 9	Vanne ouverte	La vanne d'eau est ouverte
Erreur 11	Changer le charbon du moteur de traction	Rappeler à l'utilisateur de changer le charbon du moteur de traction
Erreur 12	Changer le charbon du moteur de balai	Rappeler à l'utilisateur de changer le charbon du moteur de balai
Erreur 13	Changer le charbon du moteur d'aspiration	Rappeler à l'utilisateur de changer le charbon du moteur d'aspiration
Erreur 14	Erreur EEPROM du contrôleur	Erreur EEPROM ou erreur de paramétrage
Erreur 15	Erreur EEPROM du panneau	Erreur EEPROM ou erreur de paramétrage
Erreur 16	Erreur de communication	Fil de communication cassé Mauvais câblage Coupure du contrôleur
Erreur 17	NG du test automatique du contrôleur	Défaillance de l'accélérateur Relais interne soudé Défaillance de transistor métal-oxyde ou autre matériel
Erreur 18	Surchauffe du contrôleur	Surchauffe du contrôleur Surchauffe de transistor métal-oxyde
Erreur 19	Batterie élevée	Batterie >34V
Erreur 20	Mode de veille machine	La machine passe en mode de veille, alimenter en courant pour redémarrer
Erreur 27	Erreur de pompe à eau	Court-circuit ou surcharge de pompe à eau
Erreur 31	Potentiomètre de vitesse cassé ou décalé	Le potentiomètre de vitesse est hors tolérances (100+/-20K)
Erreur 34	Machine bloquée	La machine est bloquée (fonction du module IDO)
Erreur 35	Module IDO manquant	Le module IDO est manquant (la fonction du module IDO est activée)
Erreur 37	Sécurité SW SRO	Pousser sur le bouton de sécurité avant de mettre le contact

**REMARQUE**

Lorsque l'écran affiche un code d'erreur. Redémarrer la machine par la clé de contact (42, Figure 3). Si l'erreur ne peut être éliminée. Prière de contacter notre centre d'entretien.

**RECYCLAGE**

Effectuer le recyclage de votre machine par un centre agréé.

Avant que la machine ne soit détruite, veuillez à respecter la réglementation en vigueur pour les différents éléments qui la constituent.

- Batteries (option)
- Balai/support disque
- Tuyau en plastique et pièces en plastique
- Composants électriques et électroniques (\*)

(\*) Veuillez contacter notre centre d'entretien en cas de destruction de tout composant électrique et électronique.

**Composition matérielle de la machine et possibilité de recyclage**

Type	Pourcentage recyclable	AS6690T/AS7690T Pourcentage % de poids	Pourcentage % de poids AS7190TO
Aluminium	100%	2 %	4%
Moteurs électriques-divers	29%	23%	15%
Matériaux ferreux	100%	32%	42%
Faisceau de câbles	80%	1%	1%
Liquides	100%	0%	0%
Plastique - matière non recyclable	0%	1%	1%
Plastique - matière recyclable	100%	38%	34%
Caoutchouc	20%	3%	3%

## ÍNDICE

<b>INTRODUCCIÓN</b> .....	<b>62</b>
PROPÓSITO Y CONTENIDOS DE ESTA GUÍA.....	62
CÓMO GUARDAR EL MANUAL DE INSTRUCCIONES DE USO.....	62
DECLARACIÓN DE CONFORMIDAD.....	62
ACCESORIOS Y MANTENIMIENTO.....	62
CAMBIOS Y MEJORAS.....	62
ÁMBITO DE APLICACIÓN.....	62
DATOS DE IDENTIFICACIÓN DE LA MÁQUINA.....	62
TRANSPORTE Y DESEMBALAJE.....	63
<b>SEGURIDAD</b> .....	<b>63</b>
SÍMBOLOS VISIBLES EN LA MÁQUINA.....	63
SÍMBOLOS QUE APARECEN EN EL MANUAL DE INSTRUCCIONES DE USO.....	63
INSTRUCCIONES GENERALES DE SEGURIDAD.....	64
<b>DESCRIPCIÓN DE LA MÁQUINA</b> .....	<b>66</b>
CONSTRUCCIÓN DE LA MÁQUINA.....	66
PANEL DE CONTROL.....	68
DESCRIPCIÓN MODO DE TRABAJO.....	69
DIMENSIONES DE LA MÁQUINA.....	71
PARÁMETROS TÉCNICOS.....	72
ESQUEMA ELÉCTRICO.....	73
<b>GUÍA DE FUNCIONAMIENTO</b> .....	<b>74</b>
CONTROL/CONFIGURACIÓN DE LA BATERÍA EN UNA MÁQUINA NUEVA.....	74
INSTALACIÓN DE LA BATERÍA Y CONFIGURACIÓN DEL TIPO DE BATERÍA (HÚMEDA O DE GEL/AGM).....	75
INSTALACIÓN Y REMOCIÓN CEPILLO/PORTAFIELTRO.....	77
INSTALACIÓN Y REMOCIÓN FIELTRO.....	77
AJUSTE DE LA ESTABILIDAD DE LA BOQUILLA.....	78
LLENADO DEL DEPÓSITO DE LA SOLUCIÓN.....	78
PUESTA EN MARCHA Y PARADA DE LA MÁQUINA.....	78
CONDUCCIÓN DE LA MÁQUINA (FREGAR Y SECAR).....	79
CONFIGURACIÓN DEL NIVEL DEL CABEZAL ORBITAL (SOLO PARA MÁQUINA ORBITAL).....	79
VACIAR LOS DEPÓSITOS.....	80
DESPUÉS DEL USO DE LA MÁQUINA.....	81
ALMACENAMIENTO DE LA MÁQUINA DURANTE LARGOS PERIODOS DE INACTIVIDAD.....	82
PRIMER PERÍODO DE USO.....	82
<b>MANTENIMIENTO</b> .....	<b>82</b>
TABLA DE MANTENIMIENTO PROGRAMADO.....	82
CARGA DE LA BATERÍA.....	83
LIMPIEZA DE LOS CEPILLOS/FIELTROS.....	85
LIMPIEZA DEL FILTRO DE SOLUCIÓN.....	85
LIMPIEZA DE LA BOQUILLA.....	85
CONTROL Y SUSTITUCIÓN DE LOS CAUCHOS DE LA BOQUILLA.....	86
CONTROL DE LAS HORAS DE LA MÁQUINA.....	86
REVISIÓN DE FUSIBLE/REEMPLAZO.....	86
LIMPIEZA DEL DEPÓSITO Y DEL FLOTADOR DE BOLA Y CONTROL DE LA GUARNICIÓN DE LA TAPA.....	87
ACCESORIOS/OPCIONES.....	88
<b>RESOLUCIÓN DE PROBLEMAS</b> .....	<b>88</b>
<b>CÓDIGO DE ERROR DE LA PANTALLA</b> .....	<b>89</b>
<b>DESGUACE</b> .....	<b>90</b>

**INTRODUCCIÓN****NOTA**

Los números entre paréntesis hacen referencia a los componentes que se muestran en la sección Descripción de la Máquina.

**PROPÓSITO Y CONTENIDOS DE ESTA GUÍA**

El propósito del presente Manual de Instrucciones de Uso es proporcionar al operador toda la información básica, los datos técnicos, el funcionamiento, el almacenamiento, las piezas de repuesto, las condiciones de seguridad etc.

Antes de efectuar cualquier operación en la máquina, los operadores y los técnicos calificados tienen que leer cuidadosamente el Manual de Instrucciones de Uso. En caso de dudas sobre la correcta interpretación de las instrucciones, contacte con nuestra empresa para obtener más información.

**CÓMO GUARDAR EL MANUAL DE INSTRUCCIONES DE USO**

El manual de instrucciones de uso debe conservarse junto a la máquina, dentro de su contenedor, lejos de líquidos y otras sustancias que podrían dañarlo.

**DECLARACIÓN DE CONFORMIDAD**

La Declaración de conformidad se suministra con la máquina y certifica la conformidad de la máquina con la ley vigente.

**NOTA**

Las copias de la declaración de conformidad original se proporcionan junto con la documentación de la máquina.

**ACCESORIOS Y MANTENIMIENTO**

Todos los procedimientos de operación, mantenimiento y reparación necesarios deben ser realizados por personal calificado o por los centros de servicio designados de nuestra empresa. SOLO se permite el uso de accesorios y piezas de repuesto originales.

Póngase en contacto con el servicio de atención al cliente de nuestra empresa por cualquier servicio o compra de accesorios o piezas de repuesto según necesario.

**CAMBIOS Y MEJORAS**

Estamos comprometidos con la mejora continua de nuestros productos, y la empresa se reserva el derecho de aportar cambios y mejoras al producto sin aviso previo.

**ÁMBITO DE APLICACIÓN**

La fregadora está destinada al uso comercial e industrial. Es apropiada para la limpieza de suelos lisos y sólidos, cuando es utilizada por personal calificado en condiciones de seguridad. No es apta para el uso al aire libre o para la limpieza de alfombras o suelos ásperos.

**DATOS DE IDENTIFICACIÓN DE LA MÁQUINA**

El número de serie y el modelo de la máquina aparecen marcados en la etiqueta de serie.

Esta información es útil. Utilice la siguiente tabla para anotar los datos de identificación de la máquina a la hora de comprar piezas de repuesto para la máquina.

MODELO DE LA MÁQUINA.....
NÚMERO DE SERIE DE LA MÁQUINA.....

**TRANSPORTE Y DESEMBALAJE**

Cuando el transportista entrega la máquina, asegúrese de que el embalaje y la máquina se encuentran enteros y sin daños. Si se observaran desperfectos, avise al transportista sobre el daño, antes de aceptar las mercancías, para reservarse el derecho de indemnización.

Al desembalar la máquina siga estrictamente las instrucciones en el embalaje.

Compruebe el paquete y asegúrese de que los siguientes artículos están incluidos:

1. Documentación técnica - Manual de instrucciones de uso, y Catálogo de Piezas.
2. Componentes de conexión de la batería.
3. Manual del cargador de baterías electrónico (si está en dotación) (\*)

**SEGURIDAD**

Los siguientes símbolos indican situaciones potencialmente peligrosas. Siempre lea atentamente esta información y tome todas las precauciones necesarias para salvaguardar a las personas y las propiedades.

**SÍMBOLOS VISIBLES EN LA MÁQUINA**

**¡ADVERTENCIA!**

Lea detenidamente todas las instrucciones antes de realizar cualquier operación en la máquina.



**¡ADVERTENCIA!**

No lave la máquina con chorros directos o agua a presión.



**¡ADVERTENCIA!**

No utilice la máquina en pendientes con un grado de inclinación superior al que se define en la especificación.

**SÍMBOLOS QUE APARECEN EN EL MANUAL DE INSTRUCCIONES DE USO**

**¡PELIGRO!**

Indica una situación peligrosa con riesgo de muerte para el operador.



**¡ADVERTENCIA!**

Indica un riesgo potencial de lesiones a las personas.



**¡ATENCIÓN!**

Indica una advertencia o una nota relacionada con funciones importantes o útiles. Preste atención a los párrafos marcados con este símbolo.



**NOTA**

Indica una observación relacionada con funciones importantes o útiles.



**CONSULTA**

Indica la necesidad de consultar el manual de instrucciones de uso antes de realizar cualquier procedimiento.

## INSTRUCCIONES GENERALES DE SEGURIDAD

Advertencias y precauciones específicas para informar acerca de los posibles daños a las personas y a la máquina se muestran a continuación.



## ¡PELIGRO!

- Esta máquina debe ser operada por personal capacitado y autorizado de acuerdo con las instrucciones del manual.
- Antes de realizar cualquier procedimiento de limpieza, mantenimiento, reparación o sustitución, lea todas las instrucciones con cuidado, asegúrese de apagar la máquina y desconectar el conector de la batería.
- No utilice la máquina cerca de polvos, líquidos o vapores tóxicos, peligrosos, inflamables y/o explosivos. Esta máquina no es adecuada para la recogida de polvos peligrosos.
- Quítese las joyas cuando trabaje cerca de los componentes eléctricos.
- No trabajar bajo la máquina levantada si ésta no está fijada con los soportes de seguridad adecuados.
- Cuando se usan baterías de plomo (WET), en condiciones de uso normales estas pueden emitir gases inflamables por lo que hay que mantener las chispas, llamas, materiales humeantes y radiantes, objetos iluminadores y ardientes lejos de las baterías.
- Durante la carga, las baterías de plomo (WET) pueden emitir gas hidrógeno que es explosivo. Asegúrese de que el entorno de la carga está bien ventilado y lejos de llamas descubiertas.



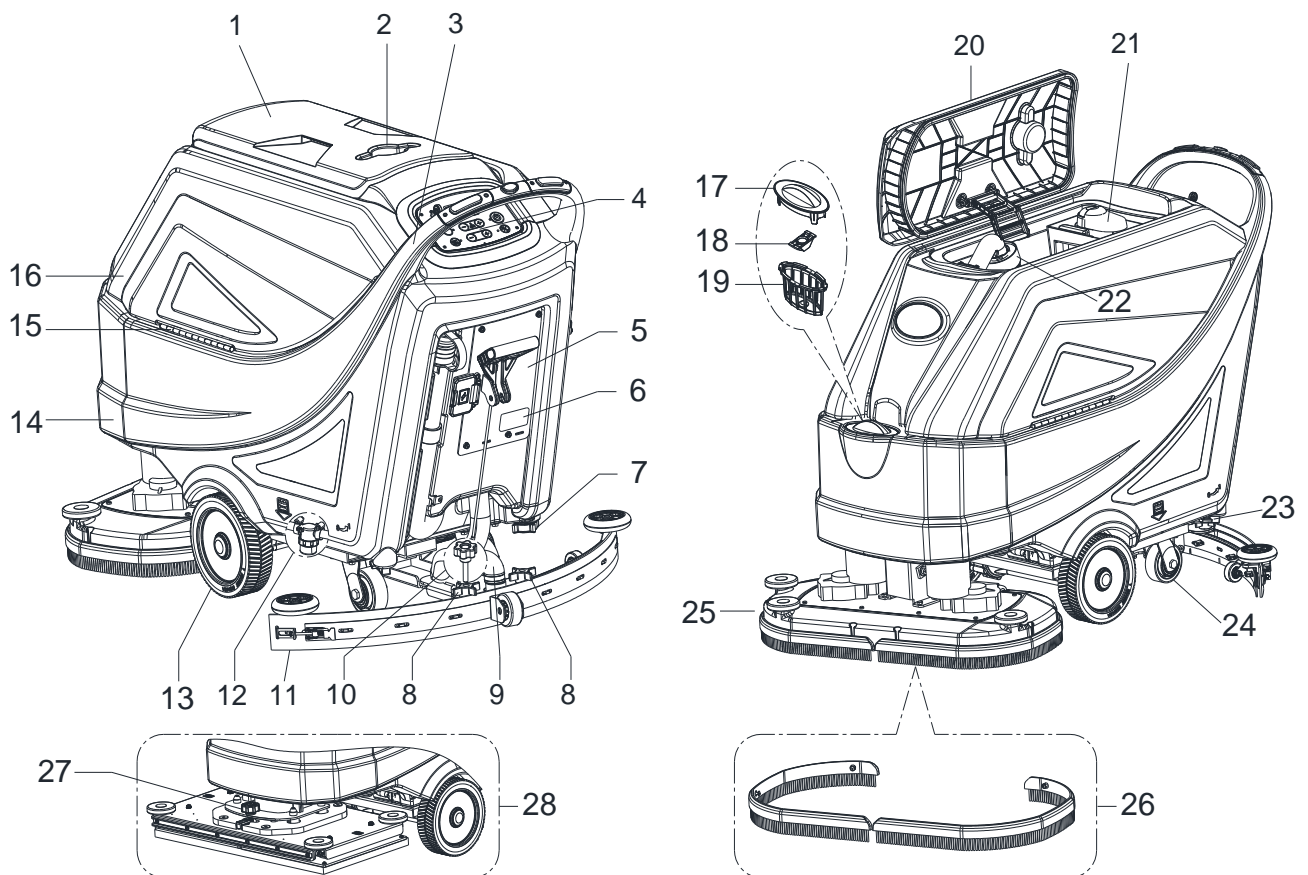
## ¡ADVERTENCIA!

- Esta máquina es para USO COMERCIAL, por ejemplo en hoteles, colegios, hospitales, fábricas, tiendas y oficinas y negocios de alquiler.
- Las máquinas desatendidas deberán estar protegidas ante cualquier movimiento involuntario.
- Para evitar usos no autorizados de la máquina, la fuente de energía debe apagarse o bloquearse, por ejemplo quitando la llave del interruptor principal o la llave de encendido.
- Inspeccione cuidadosamente la máquina antes de cada uso. Asegúrese de que todos los componentes se encuentran montados seguramente antes de su uso. Los componentes sueltos podrían producir daños a las personas y a las propiedades.
- Antes de utilizar el cargador de baterías, asegúrese de que los valores de frecuencia y voltaje indicados en la etiqueta del número de serie de la máquina coincidan con los de la red eléctrica.
- Nunca mueva la máquina tirando del cable del cargador de la batería. No pase el cable a través de puertas cerradas, ni lo enrolle alrededor de bordes o esquinas afiladas. No conduzca la máquina sobre el cable del cargador de la batería. Mantenga el cable del cargador de la batería lejos de superficies calientes.
- No cargue las baterías si el cable o el enchufe del cargador de la batería están dañados.
- Para reducir el riesgo de incendio, descargas eléctricas o lesiones, asegúrese de que la máquina está apagada antes de salir.
- Utilice o guarde la máquina en interiores en condiciones secas, no está permitido usarla al aire libre.
- La temperatura tanto de almacenamiento como de funcionamiento de la máquina debe ser entre 0 °C y +40 °C, la humedad del aire debe oscilar entre 30% y 95%.
- No utilice la máquina en pendientes con un grado de inclinación superior al que se define en la especificación.
- Durante el uso y manipulación de detergentes de limpieza de suelos, siga las instrucciones en las etiquetas del detergente y use guantes y protecciones adecuadas.
- Utilice cepillos y fieltros suministrados con la máquina o definidos en el manual. El uso de otros cepillos o fieltros podría reducir la seguridad.
- Cuando la máquina no funciona correctamente, asegúrese de que esto no sea causado por falta de mantenimiento. Si es necesario, solicite la asistencia del personal autorizado o se un Centro de asistencia autorizado.
- Tomar todas las precauciones necesarias para que el pelo, las joyas y las ropas no sean capturados por las partes móviles de la máquina.
- No usar la máquina en ambientes demasiado polvorientos.

- No lave la máquina con chorros directos o presurizados de agua, o con sustancias corrosivas.
- No chocar contra estanterías o andamios de los que puedan caer objetos.
- No apoyar contenedores de líquidos sobre la máquina, usar el portabebidas.
- Para evitar daños en el suelo, no permita que el cepillo/filtro funcione mientras la máquina está parada.
- En caso de incendio, use un extintor de polvo seco. No utilice extintores líquidos.
- No retire o modifique las pegatinas de la máquina.
- No manipule las protecciones de seguridad de la máquina y siga escrupulosamente las instrucciones para el mantenimiento programado.
- Tener cuidado durante el traslado de la máquina en condiciones de temperatura muy baja. El agua en el depósito de recuperación o en los tubos podría congelarse y dañar la máquina.
- Si deben sustituirse piezas, solicite piezas de repuesto ORIGINALES a un Concesionario y/o Revendedor autorizado.
- Lleve la máquina al Centro de asistencia si no funciona como de costumbre o está en condiciones de haber sido dañada, dejada al aire libre, caída al agua.
- Para garantizar el funcionamiento correcto y seguro de la máquina, el mantenimiento programado que se muestra en el capítulo correspondiente de este Manual, debe ser realizado por el personal autorizado o un Centro de asistencia autorizado.
- La máquina debe desecharse de forma adecuada, debido a la presencia de materiales tóxicos dañinos (baterías, etc.), que están sujetos a las normas que requieren la eliminación en centros especiales (véase capítulo Desguace).
- Esta máquina es una herramienta de limpieza, no sirve para cualquier otro propósito.
- Las aperturas deben mantenerse libre de polvo, hilacha, pelos y cualquier otro cuerpo extraño que pueda reducir el flujo de aire. No utilice la máquina si los orificios están obstruidos.
- Usar la máquina sólo en áreas con suficiente iluminación.
- Esta máquina no debe ser utilizada por personas (incluidos niños) con capacidades físicas, sensoriales o mentales reducidas, o con falta de experiencia y conocimientos.
- Tener mucho cuidado cuando se utiliza cerca de niños.
- Los niños deben ser supervisados para asegurarse de que no jueguen con el aparato.
- Cuando se usa esta máquina, tener cuidado de salvaguardar la incolumidad de personas y cosas.
- Los niños no pueden efectuar limpieza y mantenimiento de la máquina sin supervisión adecuada.

**DESCRIPCIÓN DE LA MÁQUINA****CONSTRUCCIÓN DE LA MÁQUINA (como se indica en Figura 1)**

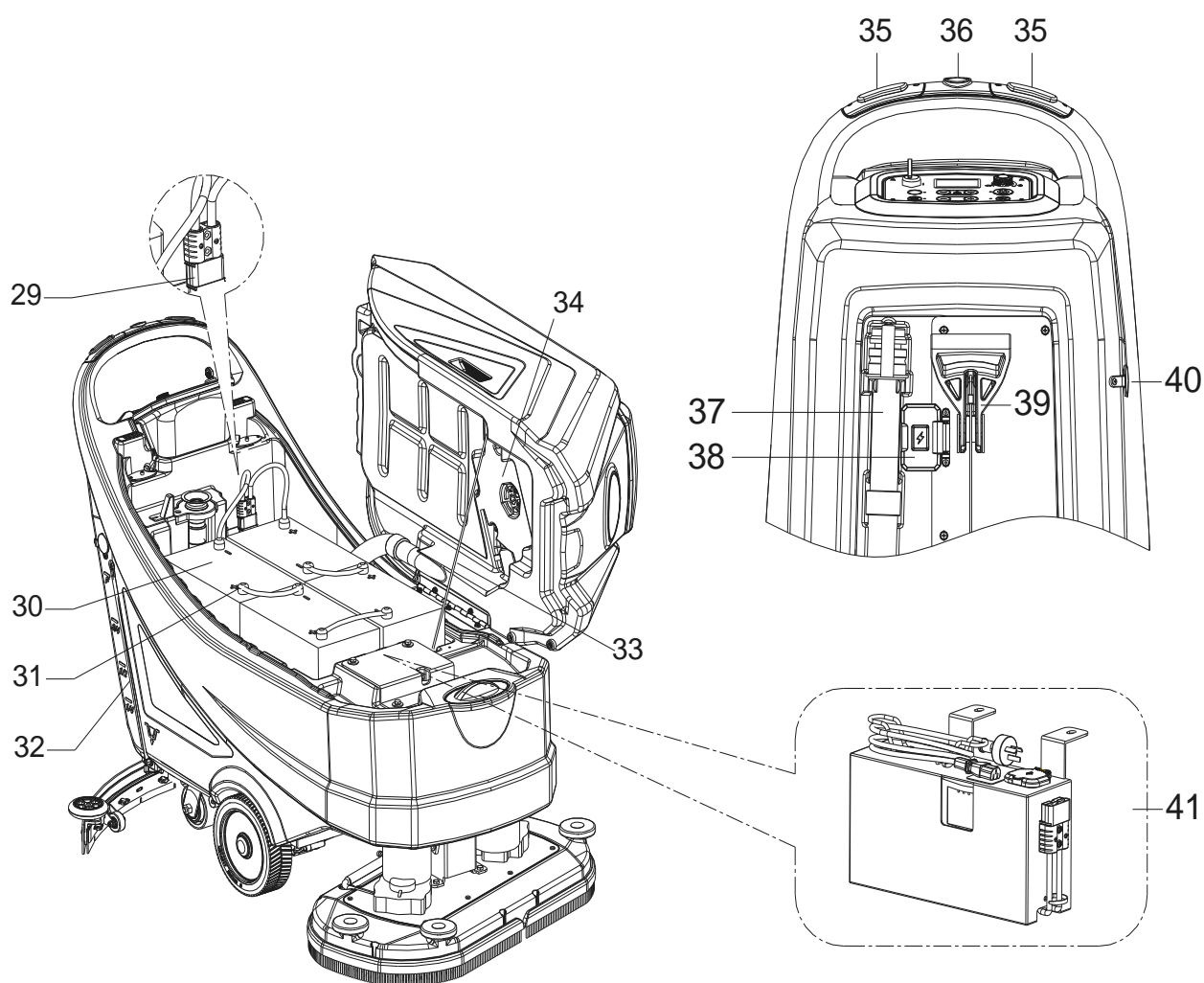
- |   |   |
|---|---|
| 1. Tapa del depósito de recuperación:         | 15. Bisagra   |
| 2. Portaobjetos                               | 16. Depósito de recuperación                        |
| 3. Manillar                                   | 17. Tapa del filtro                                 |
| 4. Panel de control                           | 18. Soporte del tubo de llenado                     |
| 5. Caja de control                            | 19. Soporte del filtro                              |
| 6. Placa número de serie/datos técnicos       | 20. Guarnición de la tapa del depósito              |
| 7. Tapa de salida                             | 21. Caja de recogida de residuos                    |
| 8. Perillas de la boquilla                    | 22. Filtro con flotador de bola                     |
| 9. Tubo de aspiración de la boquilla          | 23. Grifo de solución detergente /agua limpia       |
| 10. Empuñadura de ajuste equilibrado boquilla | 24. Ruedas traseras directrices                     |
| 11. Boquilla                                  | 25. Sistema de cepillo (solo para máquina de disco) |
| 12. Filtro de la solución detergente          | 26. Parasalpicaduras                                |
| 13. Ruedas de tracción                        | 27. Cabeza orbital perilla de ajuste                |
| 14. Depósito de la solución detergente        | 28. Sistema orbital (solo para máquina orbital)     |

**Figura 1**



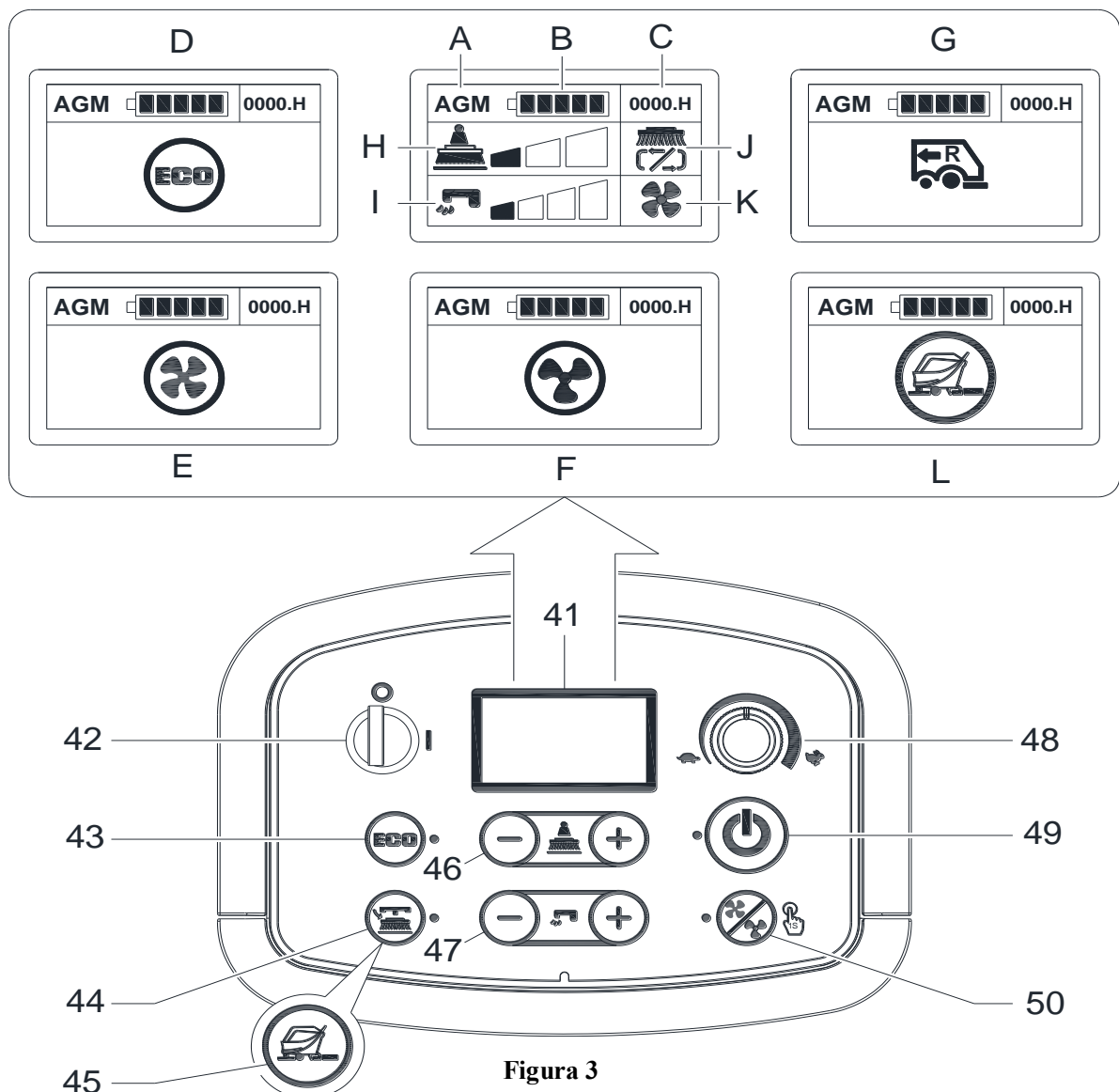
**CONSTRUCCIÓN DE LA MÁQUINA (como se indica en Figura 2)**

- |   |   |
|---|---|
| 29. Conector (rojo) de las baterías       | 36. Interruptor de marcha atrás                                     |
| 30. Baterías (*)                          | 37. Tubo de descarga del agua de recuperación                       |
| 31. Tapones de las baterías               | 38. Tapa de seguridad del conector de carga                         |
| 32. Tubo indicador de nivel de agua       | 39. Palanca de subida/bajada de la boquilla                         |
| 33. Cable de soporte del depósito abierto | 40. Tapón de llenado lateral del depósito de la solución detergente |
| 34. Sistema de aspiración                 | 41. Cargador de a bordo (*)   |
| 35. Interruptor de seguridad              | (*): Opcional   |

**Figura 2**

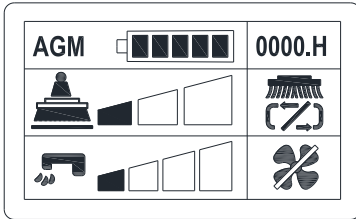
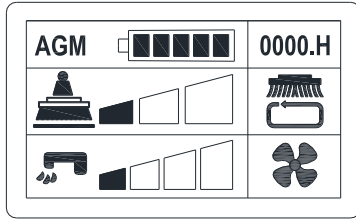
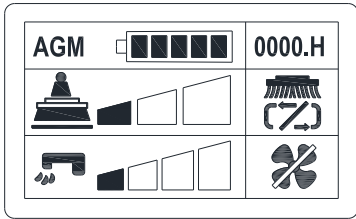
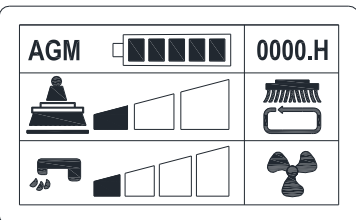
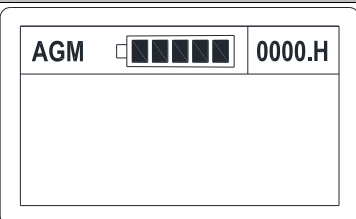
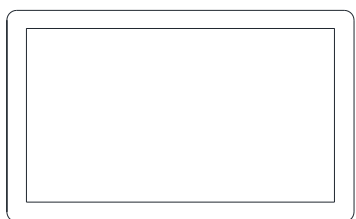
**PANEL DE CONTROL (como se indica en la Figura 3)**

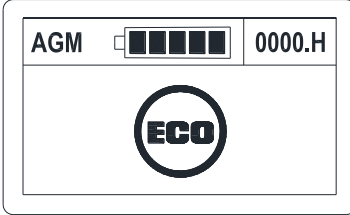
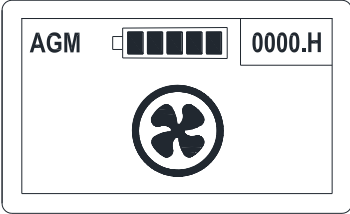
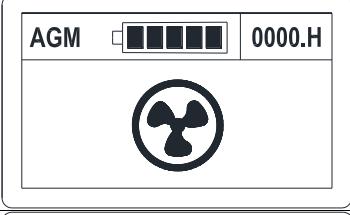
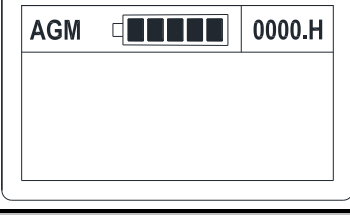
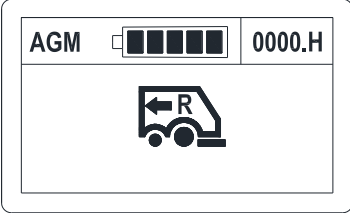
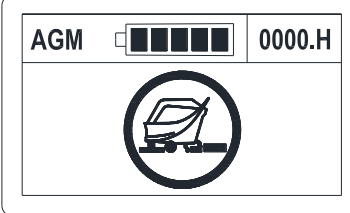
41. Pantalla multifunción  
Visualizaciones:  
A) Tipo de baterías  
B) Nivel de carga de las baterías  
C) Horas de trabajo  
D) Modo ECO  
E) Modalidad aspiración normal  
F) Modalidad aspiración silenciosa  
G) Modalidad marcha atrás  
H) Presión adicional activada  
I) Cantidad del flujo de la solución detergente  
J) Modalidad trabajo del cepillo  
K) Modalidad aspiración  
L) Modalidad preparación suelo
42. Llave de encendido (0 - I)
43. Botón modalidad ECO
  - LED debajo de la función activado
  - flujo del agua al mínimo (nivel 1)
  - presión al mínimo (nivel 1)
  - La aspiradora está en modalidad silenciosa
44. Botón de desbloqueo cepillo/portafiltro (solo para máquina de disco)
  - LED intermitente - sistema desenganche activado
45. Botón preparación suelo (solo para máquina orbital)  
Velocidad de desplazamiento preconfigurada a 1Km/hora.
  - LED debajo de la función activado
  - flujo del agua al mínimo (nivel 1)
  - Presión al máximo (nivel 3)
  - La aspiradora está en modalidad normal
46. Botón de ajuste presión cepillo
47. Botón de ajuste flujo de la solución detergente
48. Regulador de velocidad
49. Botón de arranque
  - LED debajo de la función activado
  - sistema de agua al mínimo (nivel 1)
  - presión al mínimo (nivel 1)
  - sistema de aspiración normal
50. Botón regulación sistema de aspiración:(pulse el botón durante 1 segundo para la activación)
  - LED en modalidad normal
  - LED intermitente - Modalidad silenciosa



**Figura 3**

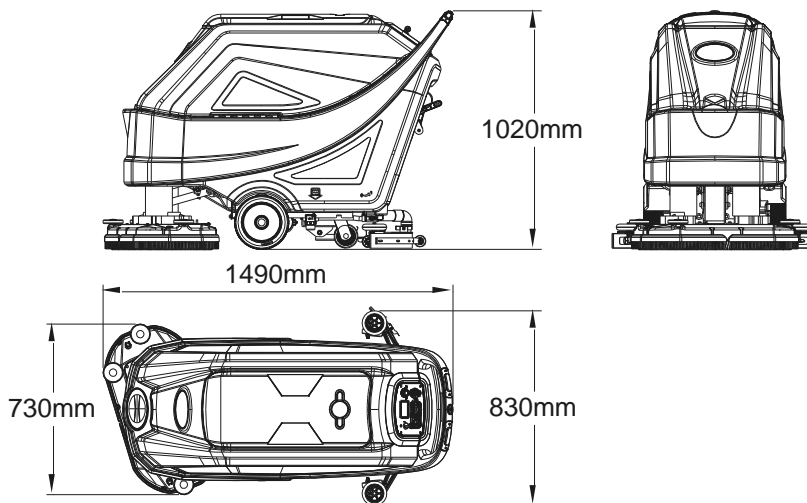
**DESCRIPCIÓN MODO DE TRABAJO**

CÓMO FUNCIONA	DESCRIPCIÓN DE	LA PANTALLA
<b>Modalidad normal</b>		
Llave (42) encendida Botón de arranque (49) encendido		1: Cronómetro no parpadea. 2: La flecha del cepillo no gira. 3: El ventilador no parpadea. 4: El grifo de agua no parpadea. 5: El actuador se coloca en el primer nivel de presión.
Llave (42) encendida Botón de arranque (49) encendido Interruptor de seguridad (35) encendido		1: Cronómetro parpadea. 2: La flecha del cepillo gira. 3: El ventilador parpadea. (Cuatro palas ) 4: El grifo del agua parpadea.
<b>Modalidad silenciosa</b>		
Llave (42) encendida Botón de arranque (49) encendido		1: Cronómetro no parpadea. 2: La flecha del cepillo no gira. 3: El ventilador no parpadea. 4: El grifo de agua no parpadea.
Llave (42) encendida Botón de arranque (49) encendido Presione el pulsador de regulación del sistema de aspiración (50) durante 1 segundo Interruptor de seguridad (35) encendido		1: Cronómetro parpadea. 2: La flecha del cepillo gira. 3: El ventilador parpadea. (Tres palas ) 4: El grifo del agua parpadea.
<b>Modalidad Apagado</b>		
Interruptor de seguridad (35) apagado Botón de arranque (49) apagado Llave (42) encendida		1. El cronómetro no parpadea. 2. Cierre de todo el panel de botón. (El motor de la aspiradora tarda 12 segundos en apagarse.) 3: El cabezal del cepillo se pone en la posición más alta.
Llave (42) apagada.		5. La alimentación se para. 6. La pantalla está apagada. <b>Nota: Después de desactivar el botón de arranque (49), espere hasta que el cabezal del cepillo se eleva hasta la posición de máxima elevación, antes de desconectar la llave (42).</b>

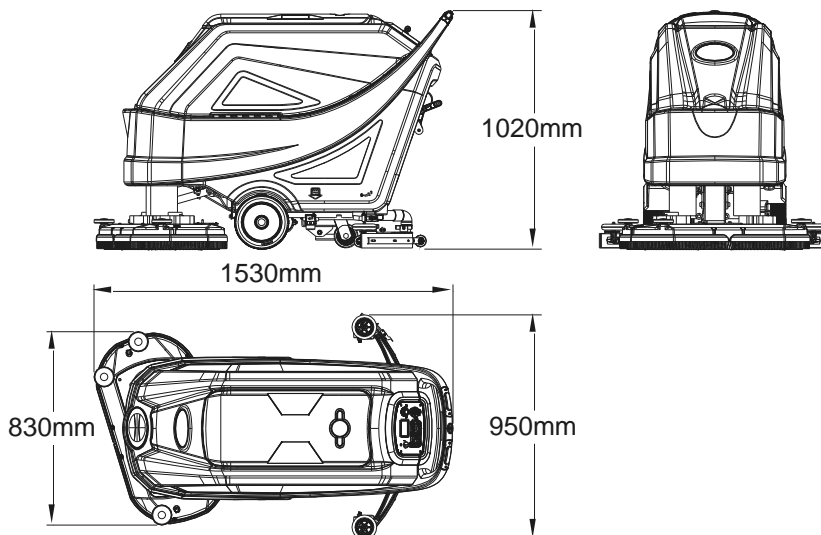
CÓMO FUNCIONA	DESCRIPCIÓN DE	LA PANTALLA
<b>Modo ECO</b>		
Llave (42) encendida Botón de arranque (49) encendido Botón ECO (43) encendido		Flujo del agua al mínimo (nivel 1) Presión al mínimo (nivel 1) La aspiradora está en modalidad silenciosa. <b>Nota:</b> Conecte el botón de arranque (49), antes de conectar el botón ECO (43).
<b>Modalidad sistema de aspiración (pulse el botón durante 1 segundo para la activación)</b>		
<b>Modalidad normal</b>		
Llave (42) encendida Botón de arranque (49) apagado Presione el pulsador de regulación del sistema de aspiración (50) durante 1 segundo		El ventilador parpadea (cuatro palas)
<b>Modalidad silenciosa</b>		
Llave (42) encendida Botón de arranque (49) apagado Presione el pulsador de regulación del sistema de aspiración (50) durante 1 segundo		El ventilador parpadea (tres palas)
Pulsador regulación sistema de aspiración (50) apagado		NINGUN ventilador <b>Nota: Cuando el pulsador de regulación del sistema de aspiración está apagado, el motor de la aspiradora se para inmediatamente.</b>
<b>Modalidad marcha atrás</b>		
Botón asa marcha atrás (36) encendido		1: Cronómetro parpadea. 2: Todos los botones de LED están desconectados.
<b>Modalidad preparación suelo (solo para máquina orbital)</b>		
Llave (42) encendida Botón de arranque (49) encendido Botón de preparación del suelo (45) encendido		Velocidad de trabajo de la máquina 1Km/hora Flujo del agua al mínimo (nivel 1) Presión al máximo (nivel 3) La aspiradora está en modalidad normal

DIMENSIONES DE LA MÁQUINA

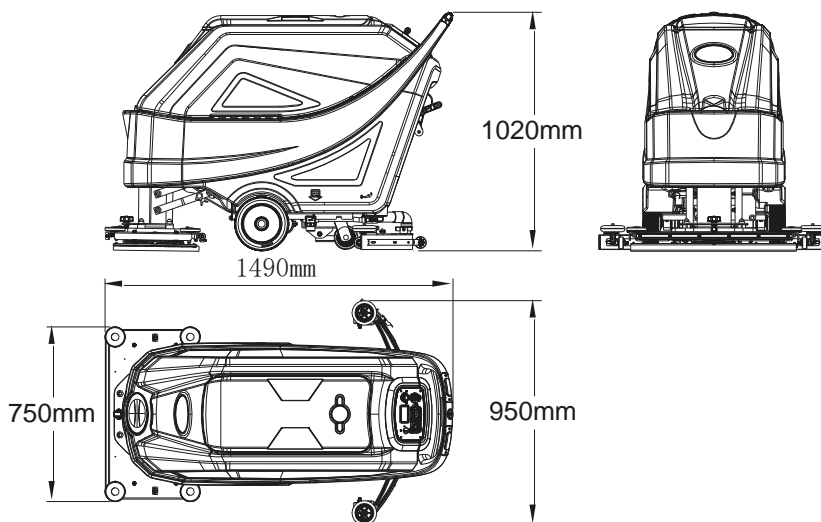
AS6690T



AS7690T



AS7190TO

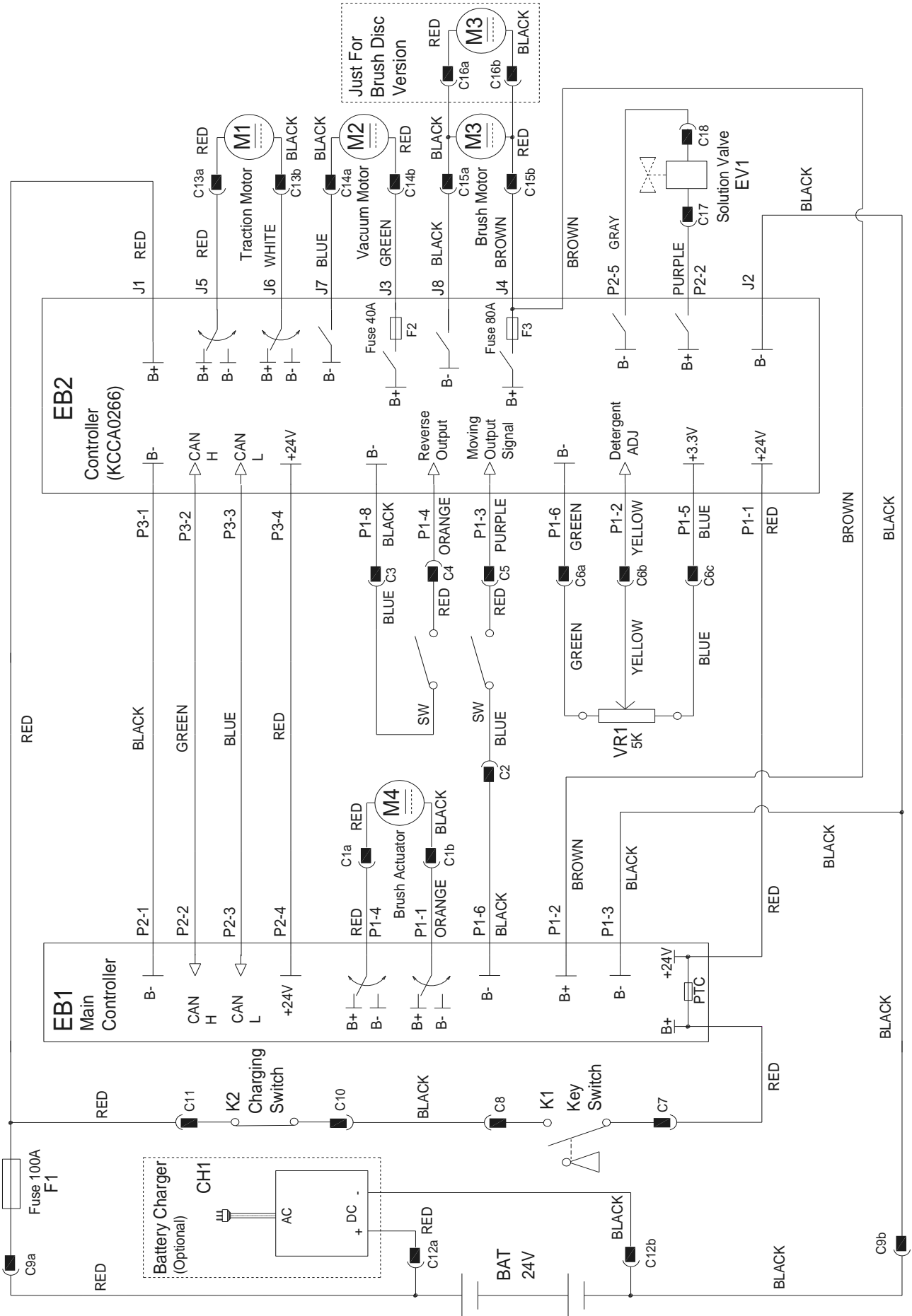


## PARÁMETROS TÉCNICOS

Tipos de parámetros	Unidades	Modelo		
		AS6690T	AS7690T	AS7190TO
Capacidad del depósito de la solución detergente	L / Gal	85 L / 22 Gal.		
Capacidad del depósito de recuperación	L / Gal	90 L / 24 Gal.		
Longitud de la máquina	mm/pulg.	1490 mm/ 59 pulg.	1550mm/ 61 pulg.	1490 mm/ 59 pulg.
Anchura de la máquina con boquilla	mm/pulg.	830 mm/33 pulg.	950 mm/ 38 pulg.	
Anchura de la máquina sin boquilla	mm/pulg.	730 mm/29 pulg.	830mm/33 pulg.	750mm/30 pulg.
Altura de la máquina	mm/pulg.	1020 mm/40 pulg.		
Ancho de trabajo	mm/pulg.	660 mm/26 pulg.	760 mm/30 pulg.	710 mm/28 pulg.
Diámetro ruedas de tracción	mm/pulg.	230 mm/9 pulg.		
Presión específica al suelo de las ruedas de tracción	N/mm <sup>2</sup>	0,67 N/mm <sup>2</sup>		
Diámetro de la rueda trasera	mm/pulg.	101 mm/4 pulg.		
Presión específica al suelo de las ruedas traseras	N/mm <sup>2</sup>	0,82 N/mm <sup>2</sup>		
Diámetro cepillo/filtro	mm/pulg.	330 mm x 2 / 13 pulg. x 2	380mm x 2 / 15 pulg. x 2	355x710 mm / 14x28 pulg.
Presión del cepillo/filtro (máx.)	kg/lbs.	32 kg/71 lbs 41 kg /90 lbs 49 kg /108 lbs	35 kg /77 lbs 43 kg /95 lbs 51 kg /112 lbs	42 kg/93 lbs 54 kg/120 lbs 65 kg/143 lbs
Flujo de la solución detergente (máx) por configuración	L / Gal por minuto	(0,9/1,5/2,2/3) Litros (0,24/0,39/0,58/0,79) Galones		(0,6/1,1/1,9/2,5) Litros (0,16/0,29/0,5/0,66) Galones
Nivel de potencia acústica	dB (A)	69 ± 3 dB (A)		
Nivel de potencia acústica en modalidad ECO o en modalidad silenciosa	dB (A)	65 ± 3 dB (A)		
Nivel de vibración asa (máx)	m/s <sup>2</sup>	< 2,5 m/s <sup>2</sup>		
Capacidad de ascenso (máx.)	% grados	2%		
Rotación mínima pasillo	cm/pulg.	155cm/61 pulg.	165 cm/65 pulg.	160 cm/63 pulg.
Potencia del motor de tracción	Watt/H.P.	250 W/0,33 HP		350 W/0,47 HP
Velocidad de trabajo	Km / Millas por hora	0 - 4,0 Km / 0 - 2,5 Millas por hora		0 - 3,2 Km / 0 - 2,0 Millas por hora
Velocidad hacia adelante	Km / Millas por hora	0 - 4,0 Km / 0 - 2,5 Millas por hora		
Velocidad en marcha atrás	Km / Millas por hora	0 - 2,0 Km / 0 - 1,25 millas por hora		
Potencia del motor de aspiración	Watt/H.P.	500 W/0,66 HP		
Capacidad de aspiración	mm/pulg. de H <sub>2</sub> O	1500 mm/60 pulg. de H <sub>2</sub> O		
Capacidad de aspiración en modalidad ECO o en modalidad silenciosa	mm/pulg. de H <sub>2</sub> O	900 mm/35 pulg. de H <sub>2</sub> O		
Potencia del motor del cepillo	Watt/H.P.	500 x 2 Watt / 0,66 x 2 HP		750 Watt / 1,0 HP
Velocidad cepillos en modalidad normal	RPM	200 RPM		2200 RPM
Velocidad cepillos en modalidad ECO	RPM	160 RPM		1600 RPM
Grado de protección IP	IP	IP24		
Tamaño del compartimento de la batería con cargador externo (L x W x H)	mm/pulg.	(620 x 385 x 390) mm/24,4 x 15,1 x 15,3 pulg.		
Tamaño del compartimento de la batería con cargador a bordo (L x W x H) (*)	mm/pulg.	(535 x 385 x 390) mm/21 x 15,1 x 15,3 pulg.		
Voltaje	CD	24 V		
Baterías (*)	Ah	N/D		
Tiempo de funcionamiento de la batería (baterías estándares) (*)	Horas	Hasta 4 horas		
Cargador de a bordo (*)	Volt/Amp	24V 25A		
Productividad (máx)	m <sup>2</sup> /h	2640 m <sup>2</sup> /h	3040 m <sup>2</sup> /h	2272 m <sup>2</sup> /h
Peso de la máquina con los depósitos vacíos (sin baterías)	kg/lbs.	135 kg/298 lbs	138 kg/304 lbs	148 kg/326 lbs
Peso total de la máquina	kg/lbs.	347 kg/765 lbs	350 kg/772 lbs	360 kg/794 lbs
Peso de transporte	kg/lbs.	202 kg/444 lbs	205 kg/451 lbs	215 kg/473 lbs
Dimensiones del embalaje (L x W x H)	mm/pulg.	(1620 x 810 x 1200 mm) / (64 x 32 x 48 pulgadas)	(1660 x 910 x 1200 mm) / (66 x 36 x 48 pulgadas)	

(\*) Opcional

ESQUEMA ELÉCTRICO



## GUÍA DE FUNCIONAMIENTO



### ¡ADVERTENCIA!

En algunos lugares de la máquina se encuentran algunas placas adhesivas que indican:

- ¡PELIGRO!
- ¡ADVERTENCIA!
- ¡ATENCIÓN!
- CONSULTA

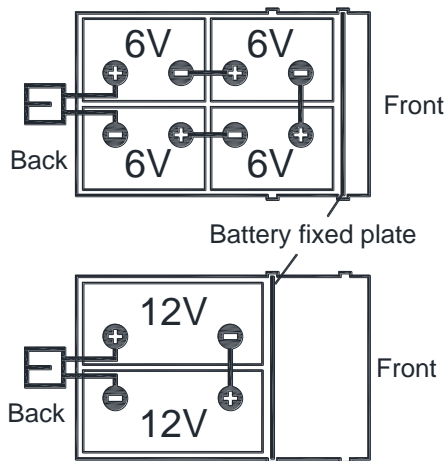
Durante la lectura de este manual, el operario debe prestar especial atención a los símbolos que aparecen en las placas. No cubra estas placas por cualquier motivo y reemplácelas inmediatamente si están dañadas.

## CONTROL/CONFIGURACIÓN DE LA BATERÍA EN UNA MÁQUINA NUEVA



### ¡ADVERTENCIA!

Los componentes eléctricos de la máquina pueden resultar seriamente dañados si las baterías están mal instaladas o conectadas. Las baterías deben ser instaladas solamente por personal cualificado. Ajuste de la tarjeta electrónica funciones y del el cargador de baterías, según el tipo de batería utilizado (WET o GEL/AGM). Antes de instalar las baterías, controlar que no estén dañadas. Desconecte el conector de batería y el enchufe el cargador de batería. Manipule las baterías con gran cuidado. Instale las tapas de protección de los terminales de las baterías suministradas con la máquina.



### NOTA

La máquina requiere dos baterías de 12V o cuatro baterías de 6V, conectadas según el diagrama (Figura 4).

Coloque la plaqueta fija de la batería correctamente como se indica (Figura 4).

**Figura 4**

### Baterías instaladas en la máquina y listas para su uso

1. Asegurarse de que el conector de las baterías (29, Figura 2) esté conectado.
2. Cuando se utiliza la máquina por primera vez con baterías nuevas, efectúe un ciclo de carga completo de las baterías (véase procedimiento en el capítulo Mantenimiento).

### Sin baterías

1. Compre baterías adecuadas (véase el párrafo «Datos técnicos»). Para escoger e instalar las baterías, acudir a un Revendedor calificado.
2. Según el tipo de baterías elegidas, configure la máquina actuando como se indica en el párrafo Llave Super User en el capítulo Mantenimiento.



**INSTALACIÓN DE LA BATERÍA Y CONFIGURACIÓN DEL TIPO DE BATERÍA (HÚMEDA O DE GEL/AGM)****Instalación de las baterías**

1. Abra la tapa del depósito de recuperación (1, Figura 1) y controle que el depósito de recuperación (16) esté vacío, si no vacíelo mediante el tubo de descarga. (37, Figura 2)
2. Cierre la tapa del depósito de recuperación (1, Figura 1).
3. Eleve el depósito de recuperación (16, Figura 1) con cuidado.
4. La máquina está equipada en fábrica con cables adecuados para instalar dos baterías de 12V o cuatro baterías de 6V. Coloque con cuidado las baterías en el compartimiento y a continuación instélaslas correctamente. Coloque la plaqueta fija de la batería correctamente como se indica (Figura 4).
5. Pase e instale el cable de las baterías como se indica (en la Figura 4), luego apriete cuidadosamente la tuerca en cada uno de los terminales de la batería.
6. Coloque la tapa de protección encima de cada borne, luego conecte el conector de las baterías (29, Figura 2).
7. Baje con cuidado el depósito de recuperación (16, Figura 1).

**AJUSTE DEL TIPO DE BATERÍAS (WET O GEL/AGM)****Acceso para seleccionar la modalidad batería**

Según el tipo de baterías (WET o GEL/AGM), configure la máquina realizando el procedimiento siguiente:

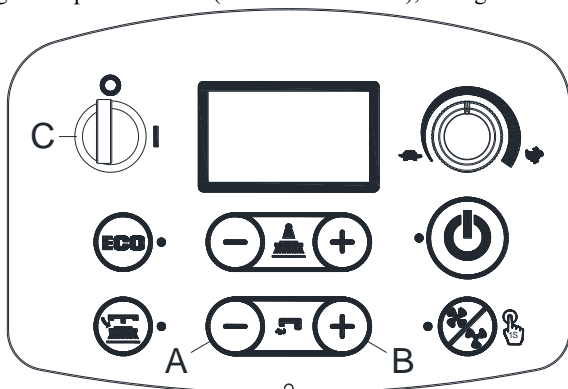


Figura 5

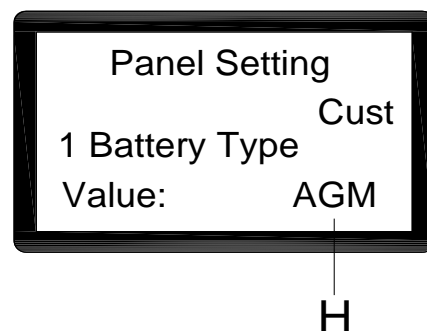
**Access to select battery mode**

Figura 6

1. Pulse el botón caudal de agua «+» (A, Figura 5) y «->» (B, Figura 5) al mismo tiempo.
2. Introduzca la llave de encendido (C, Figura 5) y colóquelo en la posición "I".
3. Varios segundos más tarde, entre en la pantalla de selección de la modalidad batería (Figura 6)
4. Pulse el botón caudal de agua «->» (A, Figura 5) y «+» (B, Figura 5) para seleccionar la modalidad batería (H, Figura 6)
5. Después de 3 segundos aparece «Actualización OK» esto quiere decir que la actualización ha tenido éxito. (C, Figura 5)

**Ajuste del cargador de baterías (solo para cargador de a bordo, si está presente)**

**¡ADVERTENCIA!**  
No ajuste el cargador, a menos que tenga una formación profesional

1. Apague la máquina y desmonte el cargador de a bordo (A, Figura 7) de la máquina. A continuación, abra la etiqueta de la cubierta del cargador (B, Figura 7) encontrará los 2 conjuntos de los interruptores (SW1 y SW2) en el cargador.
2. Sólo el conjunto de interruptor SW1 (en el lado izquierdo) tiene efecto sobre la selección de la curva de carga de acuerdo a la siguiente tabla.

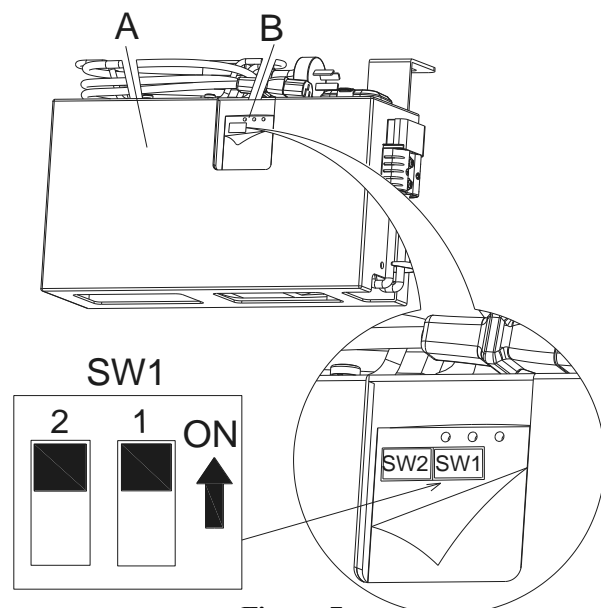


Figura 7

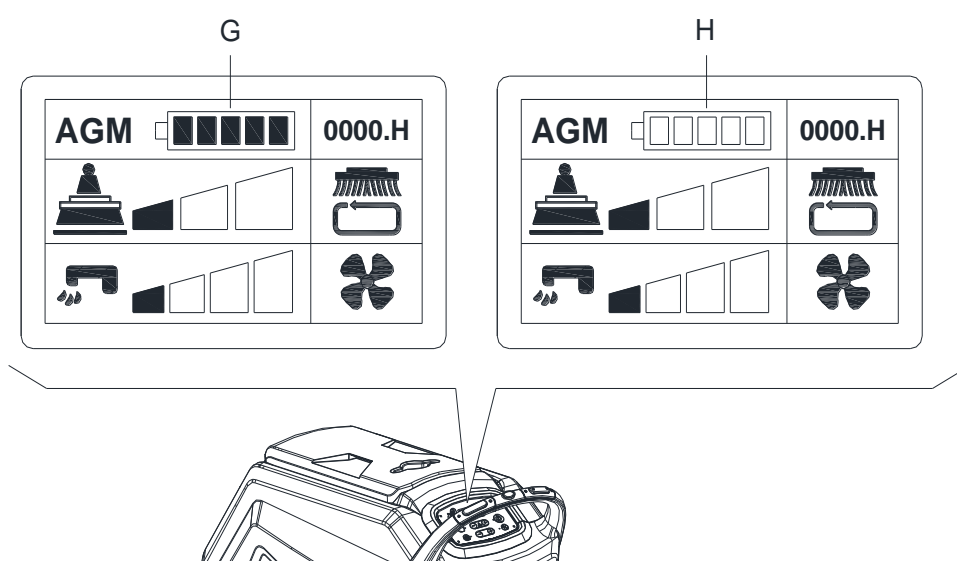
DP1	DP2	CURVA DE CARGA
ON	OFF	IUIa ACD para baterías de plomo-ácido (Wet)
OFF	OFF	IUIa-GEL para baterías de gel de Exide-Sonnenschein
OFF	ON	IUU0-GEL para baterías HAZE Gel y AGM de otros fabricantes
ON	ON	IUIUa-AGM para baterías Discover AGM

### Carga de la batería

Efectuar un ciclo de carga completa de las baterías (véase procedimiento en el capítulo Mantenimiento).

### Descarga de la batería

Cuando el icono de la batería está lleno (G, Figura 8), las baterías permiten el funcionamiento normal de la máquina. Cuando el icono de las baterías es bajo (H, figura 8), es necesario cargar las baterías. Unos segundos después de que el icono de la batería baje, el cepillo/portafiltro se apaga automáticamente, mientras que el sistema de tracción permanece encendido. Lleve inmediatamente la máquina en el área designada para la carga de las baterías.



**Figura 8**



#### ¡ATENCIÓN!

No dejar las baterías descargadas durante mucho tiempo, porque su durabilidad podría reducirse. Controlar la carga de las baterías por lo menos una vez por semana.

**INSTALACIÓN Y REMOCIÓN CEPILLO/PORTAFIELTRO (solo para máquina de disco)****NOTA**

Instale el cepillo (A, Figura 9) o el portafieltro (B y C, Figura 9) según el tipo de suelo a limpiar.

**¡ATENCIÓN!**

Antes de la instalación o remoción del cepillo o portafieltro, asegúrese de que todos los interruptores de la máquina están en posición de apagado y la boquilla levantada del suelo. El operario debe estar equipado con dispositivos de protección como guantes para reducir el riesgo de accidentes.

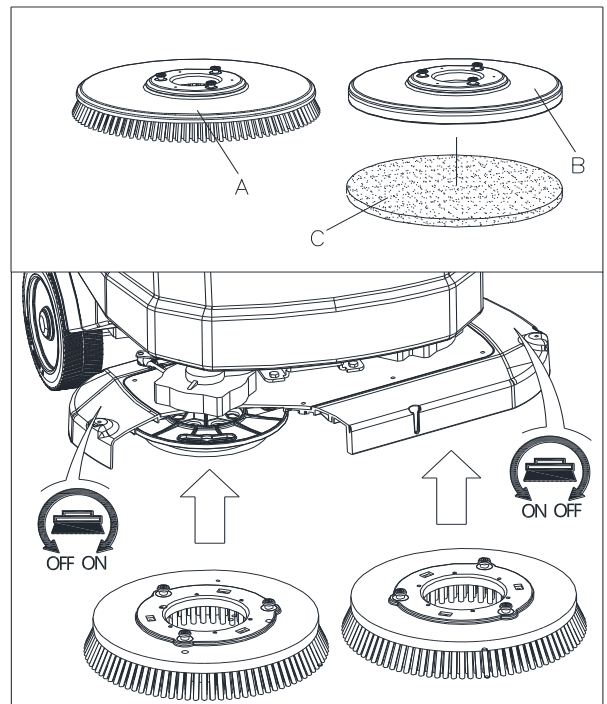
Siga las instrucciones:

**INSTALACIÓN:**

1. Introduzca la llave de encendido (42 Figura 3) y colóquela en la posición «I». Eleve el cabezal. Apague la máquina quitando la llave de encendido (42).
2. Llevar al mínimo el regulador de la velocidad (47), girándolo en sentido antihorario.
3. Coloque los cepillos (A, Figure 9) o el portafieltro (B) debajo del cabezal.
4. Utilice el método manual girando el cepillo/portafieltro en la dirección opuesta a la dirección de giro normal, y puede instalarse. (como se indica en la Figura 9)

**REMOCIÓN:**

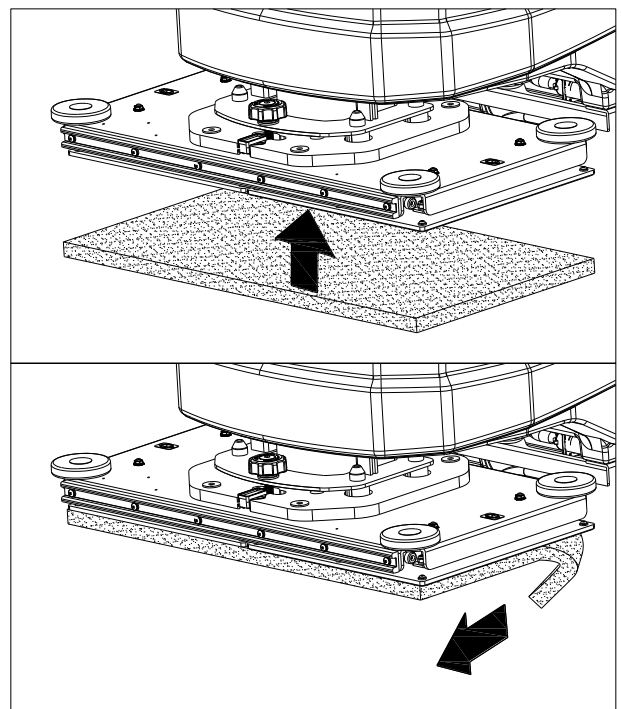
1. Introduzca la llave de encendido (42 Figura 3) y colóquela en la posición «I». Para retirar el cepillos/portafieltro, levante el cabezal presionando el botón de desbloqueo cepillos/portafieltro (44) el cepillo/portafieltro se libera automáticamente.



**Figura 9**

**INSTALACIÓN Y REMOCIÓN FIELTRO (solo para máquina orbital)**

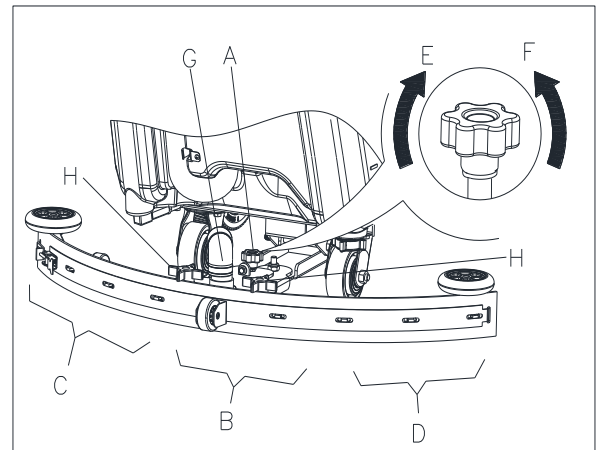
1. Introduzca la llave de encendido (42 Figura 3) y colóquela en la posición «I». Eleve el cabezal. Apague la máquina quitando la llave de encendido.
2. Utilice el método manual para instalar o quitar el fieltro como se indica en (Figura 10)



**Figura 10**

**AJUSTE DE LA ESTABILIDAD DE LA BOQUILLA**

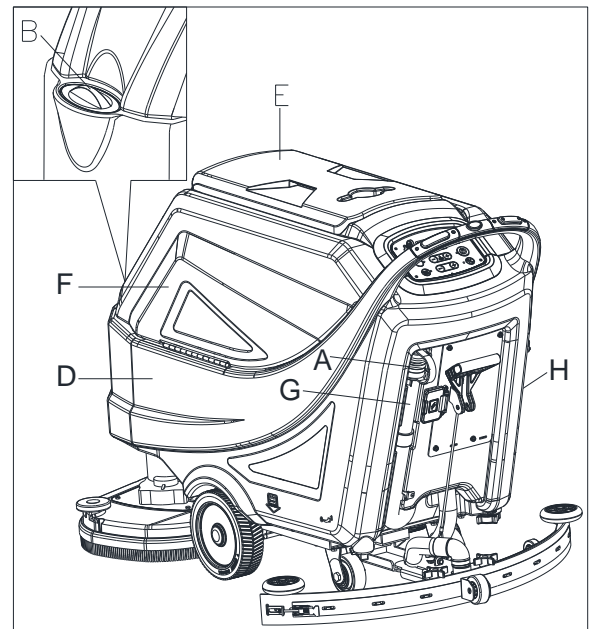
1. Instale la boquilla y enrosque las tuercas (H, Figura 11), luego conecte el tubo de aspiración (G) con la boquilla.
2. Ajuste la posición de la boquilla mediante la palanca de ajuste de la boquilla (A, Figura 11).
  - a) Si queda un espacio entre el suelo y la sección media del caucho trasero de la boquilla (B), ajuste la perilla (A) en dirección anti horaria (F) hasta que la entera sección del caucho trasero de la boquilla entre en buen contacto con el suelo, el caucho delantero tocando el suelo ligeramente.
  - d) Si hay espacio entre el suelo y los dos extremos del caucho trasero (C y D), ajuste la perilla (A) en dirección horaria (E) hasta que la entera sección del caucho trasero entre en buen contacto con el suelo, el caucho delantero tocando el suelo ligeramente.

**Figura 11****LLENADO DEL DEPÓSITO DE LA SOLUCIÓN**

1. Abra la tapa de entrada del agua (B, Figura 12).
2. A través de la entrada de agua con filtro, llene agua o solución adecuada para el tipo de trabajo a realizar.
3. La temperatura de la solución detergente no debe superar +104°F (40°C).
4. No llene demasiado el depósito, refiérase al indicador del nivel de agua (H) en cuanto al volumen del agua.

**¡ADVERTENCIA!**

Utilice solo detergentes no inflamables y de baja espuma, indicados para el uso en fregadoras automáticas.

**Figura 12****PUESTA EN MARCHA Y PARADA DE LA MÁQUINA****Puesta en marcha de la máquina**

1. Preparar la máquina como indicado en el párrafo antecedente.
2. Introduzca la llave de encendido (A, Figura 13) y colóquela en la posición «I». Controle el estado de la batería desde la pantalla de visualización. Si necesario, cargue las baterías (véase procedimiento en el capítulo Mantenimiento).
3. Conduzca la máquina a la zona de trabajo:
  - Presionando el interruptor de seguridad (F) para avanzar o el interruptor de seguridad (F) junto con el interruptor de marcha atrás (G) para ir hacia atrás. La velocidad de avance se puede ajustar mediante el regulador (H).
4. Baje la boquilla (I) con la palanca de subida/bajada de la boquilla (J).
5. Baje el cabezal portacepilllos/portafiltros (K) presionando el botón de arranque (L)
6. Accione los botones de ajuste del flujo de la solución detergente (O) según sus necesidades, en función del trabajo que se debe efectuar.
7. Empiece a limpiar:
  - Pulse el interruptor de seguridad (F) para activar el sistema de tracción. Si es necesario, la velocidad de avance se puede ajustar mediante el regulador (H).

**NOTA**

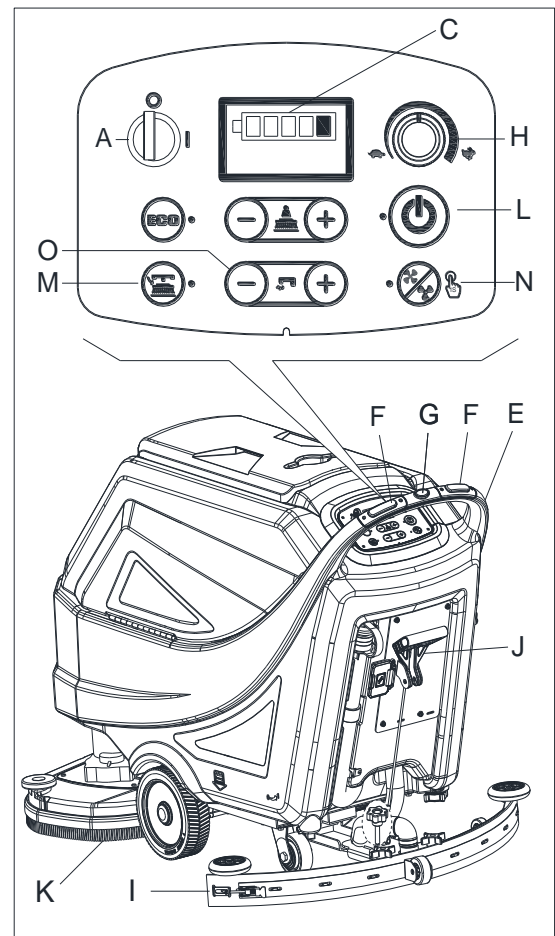
Para la marcha adelante, pulse el interruptor de seguridad (F, Figura 13) derecho o izquierdo, o ambos.

**Parada de la máquina**

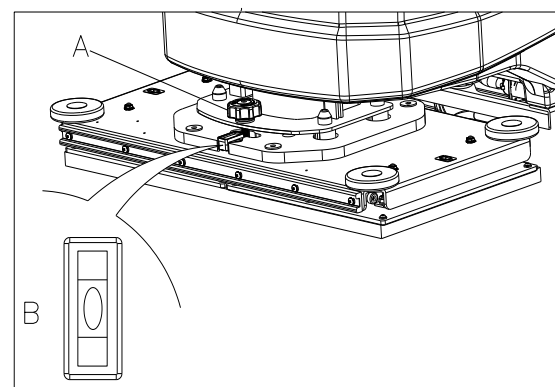
1. Pare la máquina soltando los interruptores de seguridad (F, Figura 13)
2. Los cepillos se paran. El sistema de aspiración se detiene al cabo de algunos segundos.
3. Levante el cabezal portacepillos/portafiltros (K) presionando el botón de arranque (L).
4. Levante la boquilla (I) con la palanca de subida/bajada de la boquilla (J).
5. Gire la llave de encendido (A) a la posición «0».
6. Asegurarse de que la máquina no pueda moverse de forma autónoma.

**CONDUCCIÓN DE LA MÁQUINA (FREGAR Y SECAR)**

1. Ponga la máquina en marcha como se indica en los párrafos anteriores.
2. Mientras presione el interruptor de seguridad (35, Figura 2), conduzca la máquina y empiece a lavar/secar el suelo.
3. Si es necesario, detenga la máquina y luego ajuste la boquilla como indicado en la sección «Ajuste de la estabilidad de la boquilla».

**Figura 13****CONFIGURACIÓN DEL NIVEL DEL CABEZAL ORBITAL (SOLO PARA MÁQUINA ORBITAL)**

1. Introduzca la llave de encendido (42) y gírela a la posición «I».
2. Baje el cabezal portacepillos/portafiltros (25) presionando el botón de arranque (48)
3. Configure el nivel del cabezal orbital configurando el asa (A, Figura 14) para que la burbuja esté en el centro (B Figura 14).

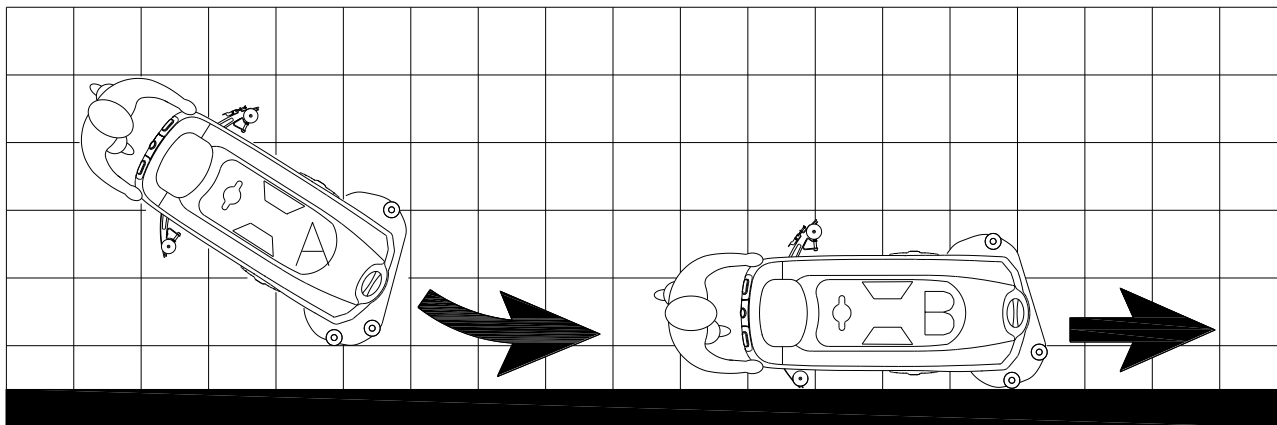
**Figura 14**

**NOTA**

Para un correcto lavado/secado de los suelos en los bordes de las paredes. Se aconseja acercarse a las paredes con la parte derecha de la máquina (A y B, Figura 15) como se indica en la figura.

**¡ATENCIÓN!**

Para evitar cualquier daño a la superficie del suelo, apague los cepillos/porta-filtro cuando la máquina se detiene en un lugar, especialmente cuando la función de presión extra está activa.

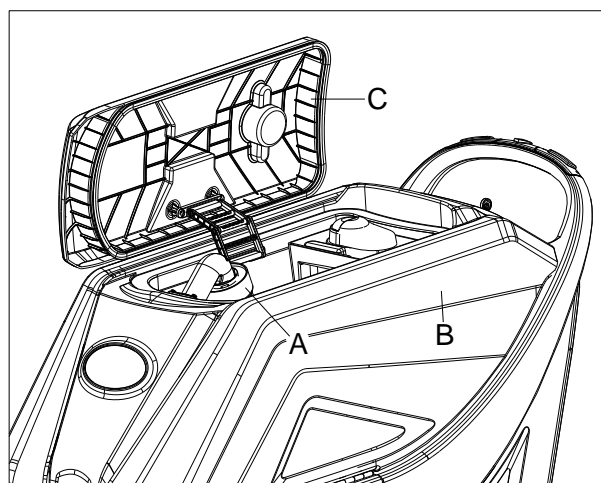
**Figura 15****VACIAR LOS DEPÓSITOS**

Un sistema de cierre del flotador automático (A, Figura 16) bloquea el sistema de aspiración cuando el depósito de recuperación del agua (B) está lleno. La desactivación del sistema de aspiración se indica mediante un aumento repentino en la frecuencia de ruido del motor del sistema de aspiración, y también el suelo no se seca.

**¡ATENCIÓN!**

Si el sistema de aspiración se apaga accidentalmente (por ejemplo, cuando el flotador se activa debido a un movimiento brusco de la máquina), para reanudar la operación: apague el sistema de aspiración pulsando el interruptor (49, Figura 3), a continuación, abra la tapa (C, Figura 16) y compruebe que el flotador dentro de la rejilla (A) ha bajado al nivel del agua. Luego cierre la tapa (C) y ponga en marcha el sistema de aspiración pulsando el interruptor (49, Figure 3).

Cuando el depósito de recuperación (B, Figura 16) está lleno, vacíelo de acuerdo con el siguiente procedimiento.

**Figura 16**

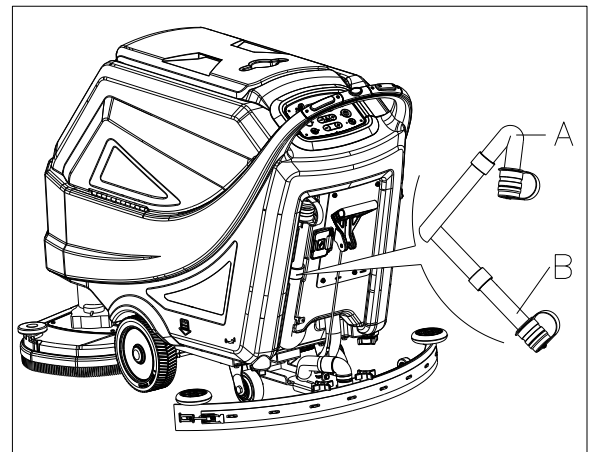


**Vaciado del depósito de recuperación**

1. Parar la máquina.
2. Levante el cabezal portacepillos/portafiltros (25, Figura 1) presionando el botón de arranque (49, Figura 3) o vuelva a arrancar la máquina con la llave de encendido (42, Figura 3).
3. Levante la boquilla (11 Figura 1) con la palanca de subida/bajada de la boquilla (39, Figura 2).
4. Llevar la máquina en el área de eliminación designada.
5. Vacíe el depósito de recuperación con el tubo (A Figura 17). Luego, enjuague el depósito (B, Figura 16) con agua limpia.

**¡ATENCIÓN!**

Al drenar el agua residual, el tubo de aspiración de los residuos se debe doblar (A, Fig 17) y bajar a una posición más baja (B, Figura 17), a continuación, abra la tapa del tubo de aspiración de residuos para drenar el agua. Evite que la boca del tubo de aspiración de residuos esté orientada hacia arriba para drenar el agua verticalmente. Esto es para prevenir que las aguas residuales salpiquen al operario.

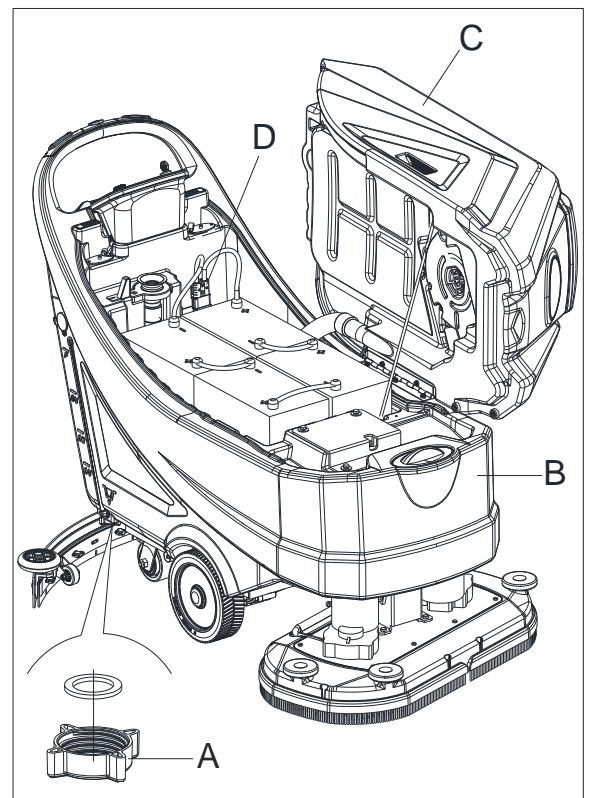
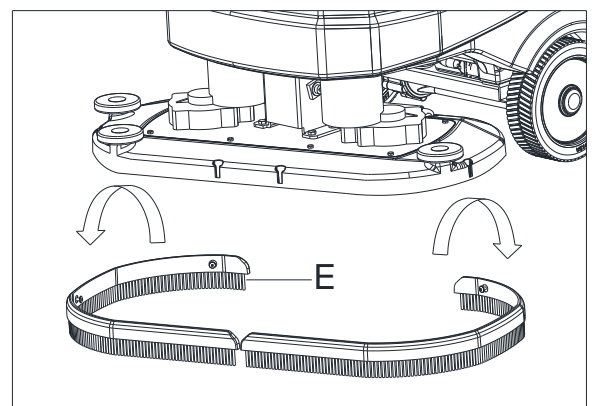
**Figura 17****Vaciar el depósito de solución/agua limpia**

1. Vacíe el depósito de solución detergente con la tapa de salida (A, Figura 18). Después del uso, enjuague el depósito con agua limpia.

**DESPUÉS DEL USO DE LA MÁQUINA**

Después de usar, antes de guardar la máquina:

1. Retire los cepillos/portafiltros presionando el botón de desbloqueo (44, Figura 3) y límpielos (solo para máquina de disco).
2. Quite el parasalpicaduras como se indica en (E, Figura 19) y límpielo. (Solo para máquina de disco)
3. Quite el fieltro y límpielo. (Solo para máquina orbital)
4. Vacíe los depósitos (B y C, Figura 18) tal y como se indica en el párrafo anterior.
5. Lleve a cabo los procedimientos de mantenimiento diario (véase el capítulo Mantenimiento).
6. Guarde la máquina en un lugar limpio y seco, con los cepillos/portafiltros y la boquilla levantados o desmontados.

**Figura 18****Figura 19**

**ALMACENAMIENTO DE LA MÁQUINA DURANTE LARGOS PERIODOS DE INACTIVIDAD**

Si la máquina no va a ser utilizado durante más de 30 días, proceda de la siguiente manera:

1. Realice los procedimientos que se muestran en el párrafo Después del uso de la máquina.
2. Desconecte el conector de la batería (29, Figura 2).

**PRIMER PERÍODO DE USO**

Después de las primeras 8 horas, compruebe si los elementos de sujeción y unión de la máquina están bien apretados e inspeccione las partes visibles en busca de desgaste y fugas.

**MANTENIMIENTO****¡ADVERTENCIA!**

Los procedimientos de mantenimiento deben ser realizados cuando la máquina está apagada y el cable del cargador de la batería está desconectado. Además, lea atentamente los capítulos de seguridad en el manual.

Todos los procedimientos de mantenimiento programado o extraordinario deben ser realizados por personal cualificado o un Centro de asistencia autorizado. Este manual sólo describe los procedimientos de mantenimiento generales y comunes.

Para otros procedimientos de mantenimiento que no están en la tabla abajo del programa de mantenimiento, por favor refiérase al Manual de asistencia que puede ser consultado en cualquier Centro de asistencia de nuestra empresa.

**TABLA DE MANTENIMIENTO PROGRAMADO****¡ATENCIÓN!**

El procedimiento marcado con (1) debe realizarse 8 horas después del primer uso de la máquina. El procedimiento marcado con (2) debe ser realizado por el Centro de asistencia designado por nuestra empresa.

Procedimiento	Diario, después de cada uso	Semanal	Cada 6 meses	Anualmente
Carga de la batería				
Limpieza de la boquilla				
Limpieza del cepillo/portafiltro				
Limpieza de los depósitos				
Inspección de las tiras de sellado de los depósitos				
Limpieza del filtro con flotador de bola				
Limpieza del fieltro				
Limpieza del parasalpicaduras (solo para máquina de disco)				
Control y sustitución de los cauchos de la boquilla				
Limpieza del filtro de agua				
Limpieza del filtro de aspiración				
Control del nivel de líquido de la batería WET				
Inspección de los tornillos y tuercas			(1)	
Bajado del aislador inferior (solo para máquina orbital)			(2)	
Control o sustitución de las escobillas de carbón del motor del cepillo				(2)
Control o sustitución de las escobillas de carbón del motor de la aspiradora				(2)
Control o sustitución de las escobillas de carbón del motor del sistema de tracción				(2)



**CARGA DE LA BATERÍA****NOTA**

Cargue las baterías cuando el nivel de la batería está bajo.

**¡ATENCIÓN!**

Si se mantienen las baterías cargadas, su durabilidad aumenta.

**¡ATENCIÓN!**

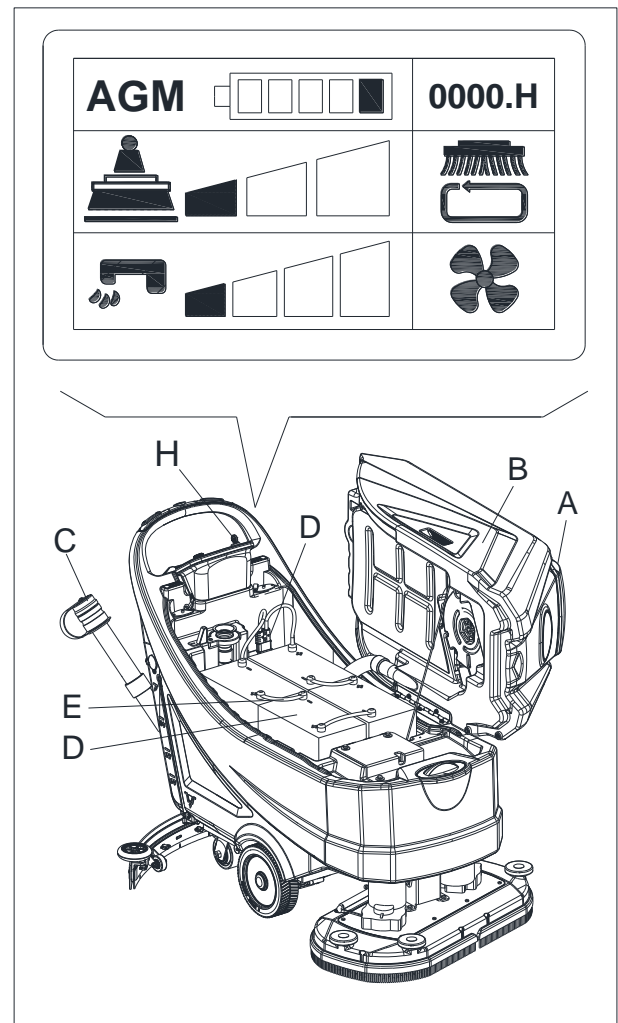
No dejar las baterías descargadas durante mucho tiempo, porque su durabilidad podría reducirse. Controlar la carga de las baterías por lo menos una vez por semana.

**¡ADVERTENCIA!**

Cargando las baterías WET se produce gas hidrógeno muy explosivo. Cargar las baterías sólo en áreas bien ventiladas y lejos de llamas libres. No fume mientras recarga las baterías. El depósito debe permanecer abierto mientras se cargan las baterías.

**¡ADVERTENCIA!**

Durante la carga tener mucho cuidado que el líquido de las baterías no sobresalga. Este líquido es corrosivo. En caso de contacto con la piel o los ojos lavar a conciencia con agua y consultar un médico.

**Figura 20****Operaciones preliminares**

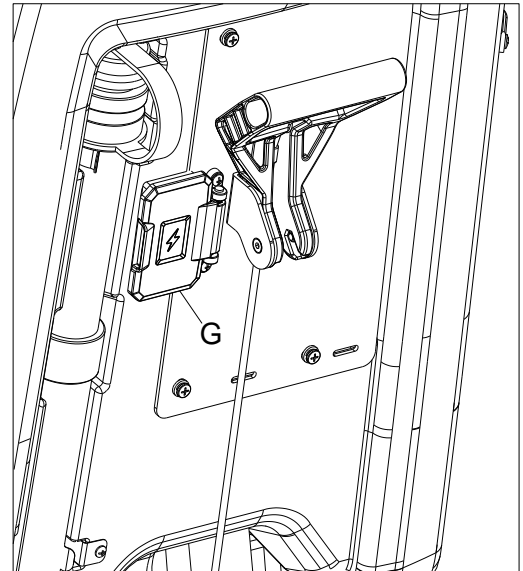
1. Abra la tapa (A, Figura 20) y controle que el depósito de recuperación del agua (B) esté vacío, de lo contrario vacíelo mediante el tubo de descarga (C).
2. \* Conduzca la máquina a una superficie nivelada.
3. Coloque la llave de encendido (H) en la posición "0".
4. Levante con cuidado el depósito (B).
5. Cargar las baterías mediante el procedimiento siguiente.

**Carga de la batería (Máquina con batería externa)**

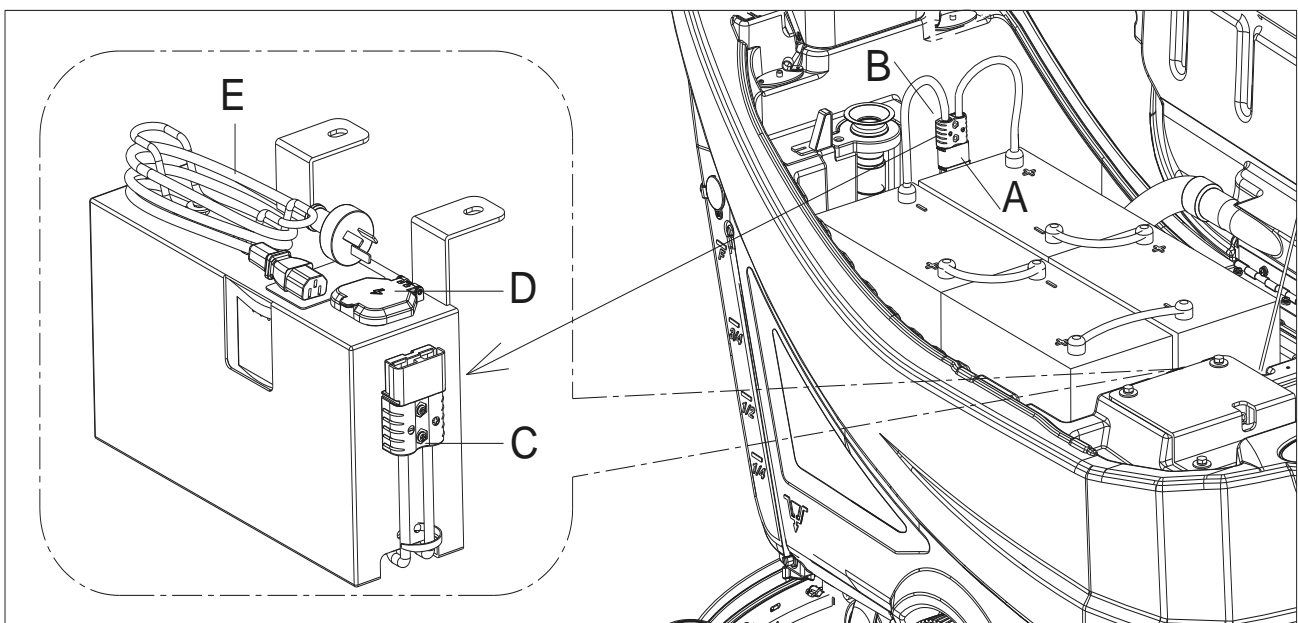
1. Conecte el cable del cargador de la batería a la red eléctrica (G, Figura 21) (la tensión y la frecuencia de la red eléctrica deben ser compatibles con la batería. Cuando el cargador de baterías está conectado a la red eléctrica, todas las funciones de la máquina se paran automáticamente).
2. Una vez realizada la carga completa de la batería, desconecte el cable del cargador de la batería de la red eléctrica (G).
3. Los niveles de electrolitos se deberían controlar después de cargar las baterías.
4. Introduzca la llave de encendido (42) y gírela a la posición «I». Controle el estado de carga de las baterías desde la pantalla de visualización (B, **Figura 3**)
5. Bajar con cuidado el depósito.

**NOTA**

Para cargar las baterías con cargador de baterías externo, use un cargador de baterías adecuado para el tipo de baterías instalado.

**Figura 21****Carga de la batería (Máquina con cargador externo) (\*)**

1. Cambie las conexiones de la batería (B, **Figura 22**) de (A) a (C).
2. Conecte el cable del cargador de la batería (E) to (D) y conecte la otra parte del cable a la toma eléctrica.
3. Cuando la carga de la batería ha finalizado, el indicador luminoso verde del cargador se enciende. Desconecte el cable del cargador de la batería (E) y cambie las conexiones de la batería (B) de (C) a (A).
4. Los niveles de electrolitos se deberían controlar después de cargar las baterías.
5. Introduzca la llave de encendido (42, **Figura 3**) y colóquela en la posición «I». Controle el estado de carga de las baterías desde la pantalla de visualización (B), **Figura 3**)
6. Bajar con cuidado el depósito.

**Figura 22**

**LIMPIEZA DE LOS CEPILLOS/FIELTROS**

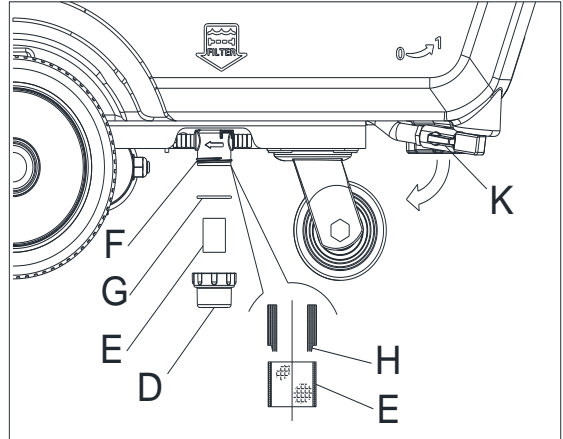
**¡ATENCIÓN!**

**Durante estas operaciones se recomienda usar guantes de trabajo, porque residuos cortantes podrían estar en el cepillo/fieltro.**

1. Quite el cepillo/fieltro de la máquina como indicado en el capítulo Uso.
2. Limpie y lave el cepillo/fieltro con agua y detergente.
3. Controle que los cepillos/fieltros están en buenas condiciones de funcionamiento y no excesivamente desgastados; de lo contrario, sustitúyelos.

**LIMPIEZA DEL FILTRO DE SOLUCIÓN**

1. Conduzca la máquina a una sección nivelada del suelo.
2. Asegúrese que la máquina está apagada y la llave de encendido (42, Figura 3) ha sido retirada.
3. Vacíe el depósito de la solución detergente o cierre el grifo (K, Figura 23)
4. Quitar la tapa transparente (D), luego quitar la rejilla filtrante (E). Limpiarlas y montarlas en el soporte (F).



**Figura 23**



**NOTA**

**Coloque correctamente la rejilla filtrante (E) en el alojamiento (H) del soporte (F).**

**LIMPIEZA DE LA BOQUILLA**

**NOTA**

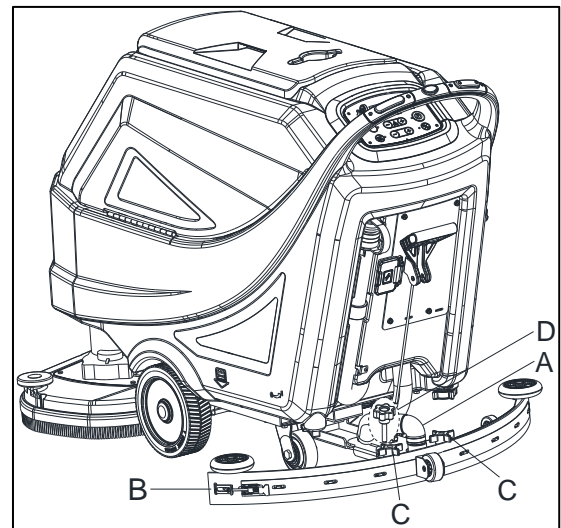
**La boquilla deben estar limpia y sus cauchos deben estar en buenas condiciones con el fin de conseguir un buen secado.**



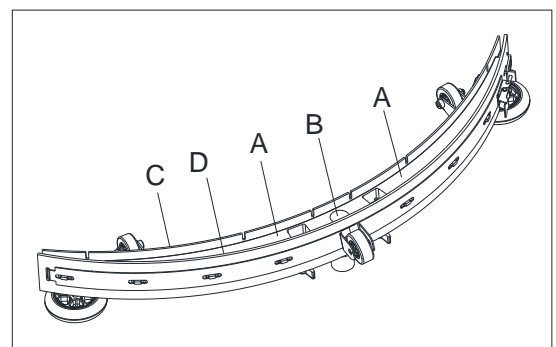
**¡ATENCIÓN!**

**Es aconsejable usar guantes de protección al limpiar la boquilla, ya que puede haber escombros cortantes.**

1. Conduzca la máquina a una sección nivelada del suelo.
2. Coloque la llave de encendido (42, Fig. 3) en la posición "0".
3. Baje la boquilla (11 Figura 1) con la palanca de subida/bajada de la boquilla (39, Figura 2).
4. Desenrosque las perillas (C Figura 24) y quite la boquilla (B).
5. Desconecte el tubo de aspiración (A) de la boquilla.
6. Limpie la boquilla del limpiador de acero o de aluminio (Figura 25). Limpiar sobre todo los huecos (A) y el orificio (B). Controlar que los cauchos delantero (C) y trasero (D) estén en buenas condiciones, que no sean cortados o desgarrados; de lo contrario, sustituirlos (véase el procedimiento en el párrafo siguiente).
7. Ensamble la boquilla en orden contrario al desmontaje.



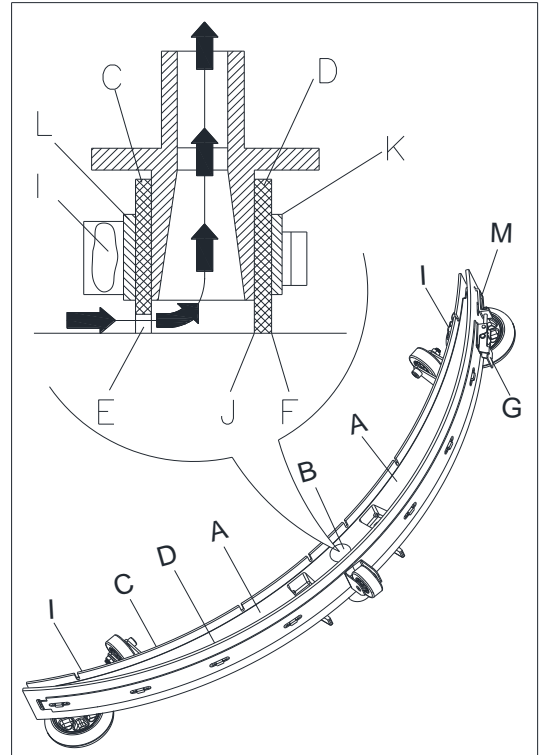
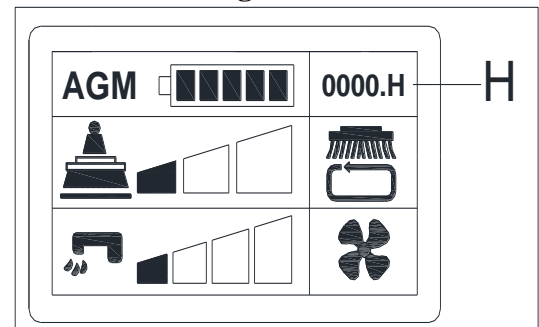
**Figura 24**



**Figura 25**

**CONTROL Y SUSTITUCIÓN DE LOS CAUCHOS DE LA BOQUILLA**

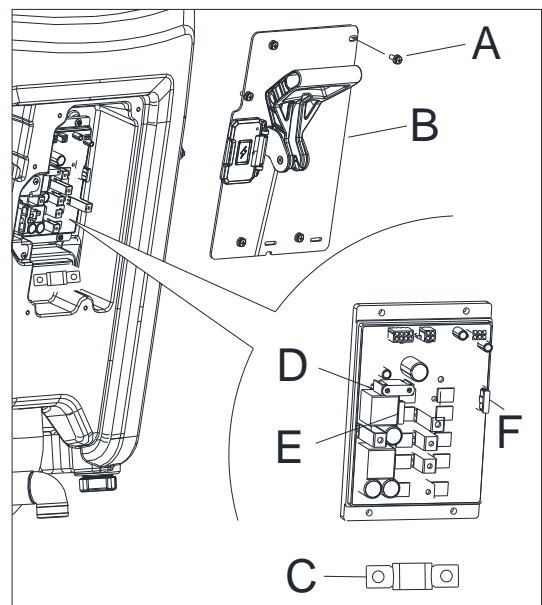
1. Limpie la boquilla de acero o de aluminio, tal y como se indica en el párrafo anterior.
2. Compruebe si los bordes (E, Figura 26) del caucho delantero (C) y los bordes (F) del caucho trasero (D) están en el mismo nivel, en su longitud; si es necesario ajuste su altura de acuerdo con el siguiente procedimiento:
  - Desenganche el tirante (G), desenganche los retenes (M) y ajuste el caucho trasero (D); luego enganche los retenes (M) y fije con el tirante (G).
  - Afloje las perillas (I) y ajuste el caucho delantero (C), luego apriete las perillas.
3. Compruebe que los cauchos delantero (C) y trasero (D) estén en buenas condiciones, que no estén cortados o desgarrados, de lo contrario, sustituirlos mediante el procedimiento siguiente. Compruebe que el borde delantero (J) o el caucho trasero (D) no estén desgastados; si es necesario, gire el caucho para sustituir el borde desgastado con uno íntegro. Si todos los bordes están desgastados, sustituir el caucho, mediante el procedimiento siguiente:
  - Quite el tirante (G), desenganche los retenes (M) y quite la cinta de sujeción (K), luego sustituya el caucho trasero (D). Monte la lámina en orden contrario al desmontaje.
  - Desenrosque las perillas (I) y quite la cinta de sujeción (L), luego sustituya el caucho delantero (C). Monte la lámina en orden contrario al desmontaje. Después de sustituir (o girar) los cauchos, ajuste su altura, como se indica en el punto anterior.
4. Conecte el tubo de aspiración (A, Figura 24) con la boquilla.
5. Monte la boquilla (B) y enrosque las perillas (C).
6. Si es necesario, ajuste la estabilidad de la boquilla mediante la perilla de ajuste (D).

**Figura 26****Figura 27****CONTROL DE LAS HORAS DE LA MÁQUINA**

1. Coloque la llave de encendido (42, Figura 3) en la posición "P".
2. Pulse el interruptor (35, Figura 2), el medidor de horas empieza a trabajar indicando, al mismo tiempo, el número total de horas de funcionamiento (H, Figura 27) en la pantalla de visualización.
3. Suelte el interruptor (35).
4. Coloque la llave de encendido (42) en la posición «0».

**REVISIÓN DE FUSIBLE/REEMPLAZO**

1. Coloque la llave de encendido (42, Fig. 3) en la posición "0".
2. Desconecte el conector de la batería (rojo) (29, Figura 2) de la red eléctrica.
3. Quite los tornillos (A, Figura 28) de la tapa de la caja de control (B).
4. Controle y, si necesario, sustituya los siguientes fusibles:
  - a) fusible F1 (D, Figura 28), fusible cepillo (80A)
  - b) fusible F2 (E, Figura 28), fusible aspirador (40A)
  - c) fusible F3 (F, Figura 28), fusible panel de control (2A)
  - d) fusible F4 (C, Figura 28), fusible principal (100A)

**Figura 28**

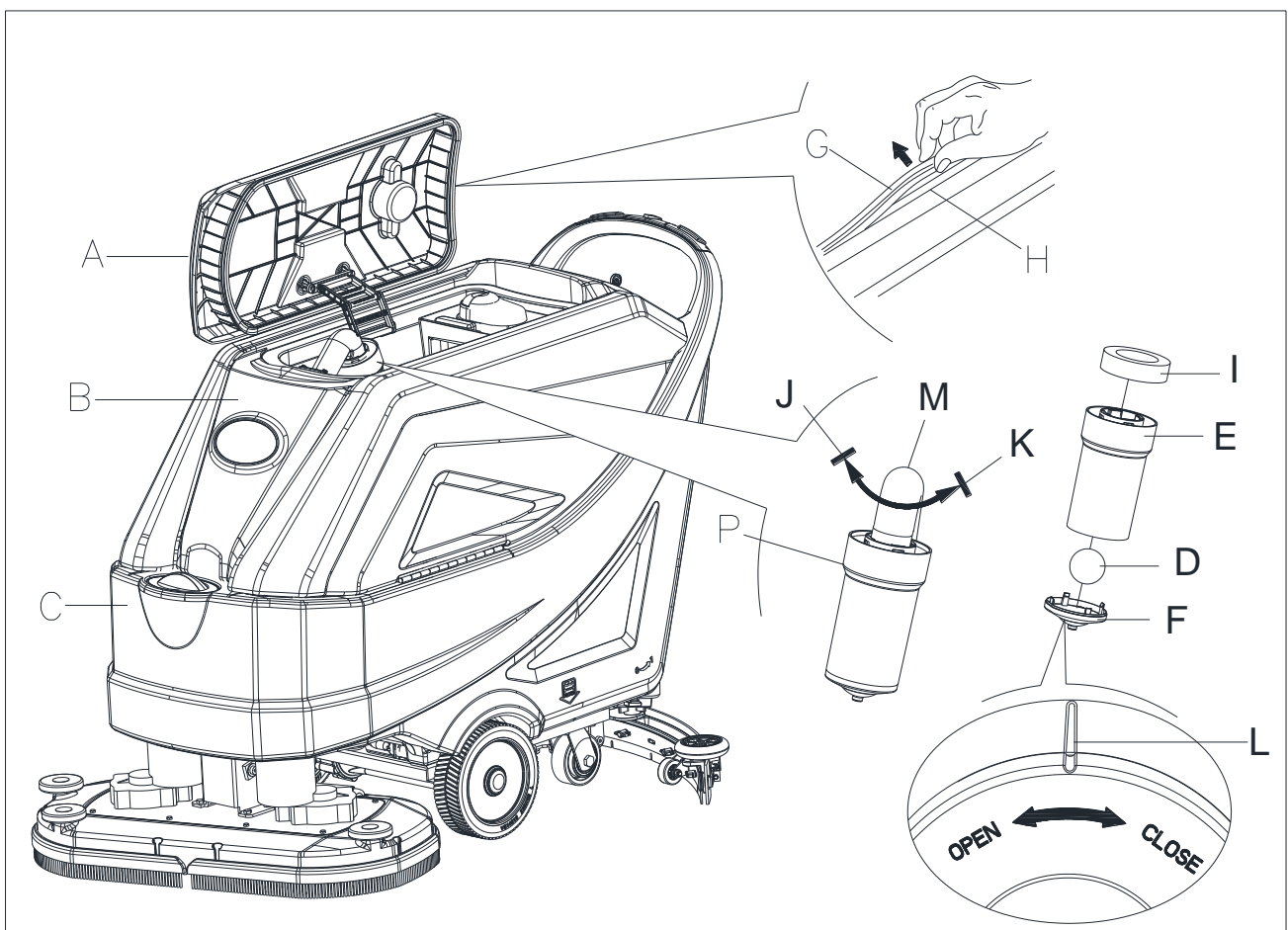
**LIMPIEZA DEL DEPÓSITO Y DEL FLOTADOR DE BOLA Y CONTROL DE LA GUARNICIÓN DE LA TAPA**

1. Conduzca la máquina a una superficie nivelada.
2. Asegúrese que la máquina está apagada y la llave de encendido (42, Figura 3) ha sido retirada.
3. Abra la tapa del depósito de recuperación (A, Figura 29) a una posición de 90°, y luego quite el filtro del flotador de bola (P) del depósito.
4. Limpie la tapa del depósito de recuperación (A), el depósito de recuperación (B), y la estructura de soporte del filtro del flotador de bola (E). Vacíe el depósito de recuperación usando el tubo de vaciado.
5. Si es necesario, siga los símbolos «ABIERTO» y «CERRADO», como se muestra (en la Figura 29) para abrir la tapa inferior (F) del filtro con flotador de bola y luego limpiar la bola del flotador (D), la estructura de soporte del filtro (E) y la esponja de filtro (I). Después de la limpieza, fijar la bola del flotador (D) en la estructura de soporte del filtro (E) y luego alinee la ranura de marca (L) de la tapa inferior (F) del filtro con la ranura de marca (L) de la estructura de soporte del filtro (E). Enrosque la tapa inferior del filtro con flotador de bola apretándola bien, y fijar la esponja del filtro (I) en la estructura de soporte del filtro del flotador (E). Por último, conecte el tubo vertical de la aspiradora (M).
6. Inspeccione la integridad de las tiras de sellado de los depósitos.

**NOTA**

La tira de sellado del depósito (G) es esencial para producir el vacío dentro del depósito cuando el motor de aspiración está trabajando. El depósito debe estar sellado para poder mover el agua del suelo hasta el depósito de recuperación.

7. Compruebe si la superficie de contacto de la tira de sellado (G) está en buenas condiciones y si el sellado es suficiente. Si es necesario, saque la tira de sellado del depósito a través de la ranura (H) y reemplácela. Aplique una nueva tira de sellado como se muestra (en la Figura 29), la junta debe estar de vuelta en la zona media.
8. Cierre la tapa del depósito de recuperación (A).

**Figura 29**

**ACCESORIOS/OPCIONES**

Además de los componentes instalados en la versión estándar, la máquina puede equiparse con los siguientes accesorios/opciones, según el uso específico:

Para más información sobre los accesorios opcionales mencionados anteriormente, póngase en contacto con un Revendedor autorizado.

**ACCESORIOS/OPCIONES**

Consulte la sección «Catálogo de piezas de repuestos».

1. Cepillo de diferentes materiales
2. Bandeja de la batería
3. Cargador de a bordo
4. Caucho de diferentes materiales

**RESOLUCIÓN DE PROBLEMAS**

PROBLEMA	Causa probable	Remedio
El motor no funciona, código de error en pantalla	El conector de baterías está desconectado.	Conecte el conector de batería.
	Baterías completamente descargadas.	Cargar las baterías.
	Códigos de error (véase tabla)	Ponga en marcha la máquina
La máquina no se mueve	La máquina fue encendida con la llave de encendido teniendo pulsado los interruptores.	Llevar la llave de encendido en posición «0», luego repetir el procedimiento de arranque, sin pulsar los interruptores.
La aspiración del agua de recuperación es insuficiente.	El depósito de recuperación está lleno.	Vaciar el depósito.
	El tubo está desconectado de la boquilla.	Conectar.
	La rejilla de aspiración está obstruida o el flotador está atascado en cerrado.	Limpiar la rejilla o controlar el flotador.
	La boquilla está sucia o los cauchos de la boquilla están desgastados o dañados.	Limpiar y controlar la boquilla.
	La tapa del depósito no está cerrada correctamente, o la guarnición está desgastada, o el tubo vertical está obstruido.	Cierre bien la cubierta, o reemplace la guarnición o limpie el tubo curvo.
El tubo de aspiración está obstruido.	Limpiar.	
El flujo de la solución detergente a los cepillos es insuficiente.	El filtro de la solución detergente/agua limpia está sucio.	Limpiar el filtro.
La boquilla causa estriados en el suelo.	Residuos bajo de los cauchos de la boquilla.	Quitar los residuos.
	Los cauchos de la boquilla están desgastados, astillados o desgarrados.	Sustituir los cauchos.
	La boquilla no fue equilibrada mediante la perilla.	Ajustar.

**NOTA**

Si la máquina está instalada con el cargador opcional de a bordo, cuando el cargador de a bordo es defectuoso, la máquina no puede trabajar. Si el cargador de baterías no funciona correctamente, contactar con un Centro de asistencia autorizado.



## CÓDIGO DE ERROR DE LA PANTALLA

Error #	Descripción del error	Notes
Error 1	Sobrecarga de la válvula	Cortocircuito o sobrecarga de la válvula
Error 2	Sobrecarga del motor de cepillo.	Cortocircuito o sobrecarga del motor del cepillo
Error 3	Sobrecarga del motor de aspiración	Cortocircuito o sobrecarga del motor de aspiración
Error 4	Sobrecarga del motor de tracción	Cortocircuito o sobrecarga del motor del tracción
Error 5	Sobrecarga del motor del cabezal portacepillos.	Cortocircuito o sobrecarga del motor del cabezal portacepillos
Error 6	Batería baja	Tensión de la batería baja
Error 7	Motor de los cepillos abierto	El motor de los cepillos ésta abierto
Error 8	Motor de aspiración abierto	El motor de aspiración está abierto
Error 9	Válvula abierta	La Válvula de agua está abierta
Error 11	Cambio del motor de tracción de carbón	Recuerda al usuario que cambie el motor de tracción de carbón
Error 12	Cambio del motor de cepillo de carbón	Recuerda al usuario que cambie el motor de cepillo de carbón
Error 13	Cambio del motor de aspiración de carbón	Recuerde al usuario que cambie el motor de aspiración de carbón
Error 14	Error controlador EEPROM	Error EEPROM o error configuración parámetro
Error 15	Error panel EEPROM	Error EEPROM o error configuración parámetro
Error 16	Error de comunicación	Cable de comunicación roto Cableado incorrecto Controlador apagado
Error 17	Controlador de prueba automática	Fallo del acelerador Relé interno soldado Fallo Mosfet u otro hardware
Error 18	Sobrecalentamiento del controlador	Sobrecalentamiento del controlador Sobrecalentamiento Mosfet
Error 19	Batería alta	Batería >34V
Error 20	Máquina en modalidad de reposo	La máquina entra en modalidad de reposo, hay que apagar y conectar para restablecerse
Error 27	Error bomba de agua	Cortocircuito o sobrecarga de la bomba de agua
Error 31	Potenciómetro de velocidad roto o desajustado	El potenciómetro velocidad está fuera de rango (100+/-20K)
Error 34	Máquina bloqueada	La máquina está bloqueada (función módulo IoT)
Error 35	Módulo IoT desaparecido	El módulo IoT no se encuentra (La función del módulo IoT está habilitada)
Error 37	Seguridad SWSRO	Presione el botón de seguridad antes de girar la llave.

**NOTA**

**Cuando la pantalla muestra un código de error. Ponga en marcha la máquina con la llave de encendido (42, Figura 3). Si el error no puede ser eliminado. Póngase en contacto con el Centro de asistencia de nuestra empresa.**

**DESGUACE**

Deseche la máquina mediante una institución de tratamiento de residuos calificada.

Antes de desechar máquina, por favor lleve y separe el subconjunto a continuación que debe eliminarse en forma adecuada según las leyes y reglamentos pertinentes.

- Batería
- Cepillo/portafiltro
- Tubo de plástico y piezas de plástico
- Componentes eléctricos y electrónicos (\*)

(\*) Por favor contacte con el Centro de asistencias de nuestra Empresa para desechar cualquier componente electrónico y eléctrico.

**Composición de material de la máquina y reciclabilidad**

<b>Tipo</b>	<b>% reciclable</b>	<b>AS6690T/AS7690T % de peso</b>	<b>% de peso de la AS7190TO</b>
Aluminio	100%	2%	4%
Motores eléctricos - misc.	29%	23%	15%
Materiales ferrosos	100%	32%	42%
Cableado	80%	1%	1%
Líquidos	100%	0%	0%
Plástico - no reciclable	0%	1%	1%
Plástico - reciclable	100%	38%	34%
Caucho	20%	3%	3%



**Nilfisk Inc.**  
**9435 Winnetka Avenue North**  
**Minneapolis, MN 55445**  
**[www.usvipер.com](http://www.usvipер.com)**

**Nilfisk Canada**  
**Mississauga, ON, Canada**  
**800.668.8400**

