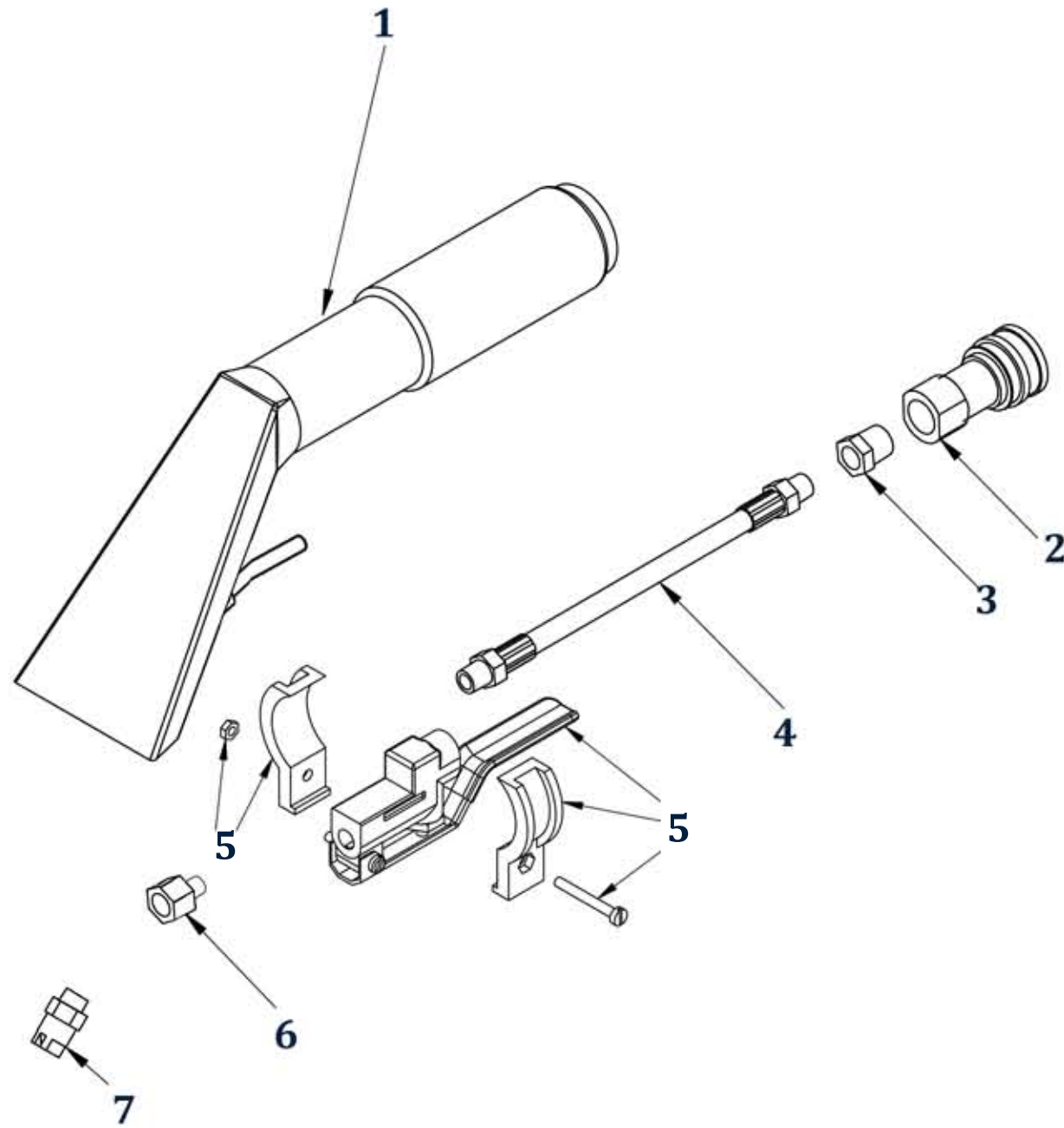


# 1039-9502FB

## 2-3-14

| ITEM NO. | PART NUMBER | DESCRIPTION                 | QTY. |
|----------|-------------|-----------------------------|------|
| 1        | 1039M-7     | Stainless Steel Handle      | 1    |
| 2        | A00102      | QD, 1-4F X 1-4FP            | 1    |
| 3        | A00168-18   | Bushing 1-4 M X 1-8 F Brass | 1    |
| 4        | 11527A      | Solution Hose Assy          | 1    |
| 5        | G13658      | Valve, Lever Assy           | 1    |
| 6        | A00125      | Brass Union 1/4c x 1/8MP    | 1    |
| 7        | A13618      | Brass spray tip 9502 x1/8MP | 1    |



# 1039-9502FB

## 2-3-14